

The EK Liquid Line Filter Drier is a premium compacted bead Filter Drier with a 20 micron outlet pad for maximum filtration. The EK is a premium universal replacement liquid line Filter Drier for CFC, HCFC and HFC refrigerants including R-12, R-134a, R-22, R-404A, R-407C, R-410A, R-500, R-502, and R-507.

Features

- Filtration first for more effective use of surface area of desiccant
- High moisture and acid removal capacity
- Solid copper connections
- Corrosion resistant epoxy powder paint finish
- Copeland® brand products approved for POE Oils
- Shock resistant steel shell construction



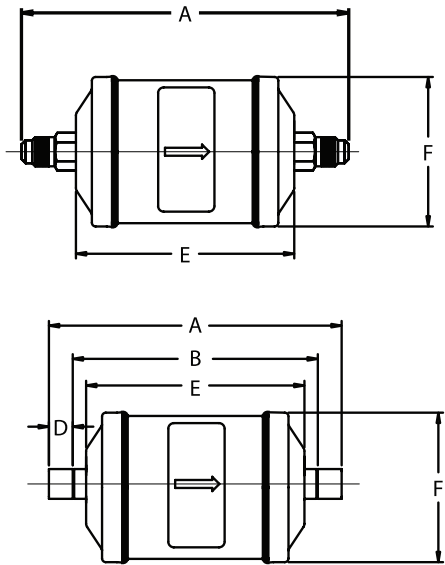
Specifications

- Desiccant blend - optimized for high water capacity and acid capacity
- Filtration: 20 microns
- Maximum working pressure: 680 psig
- UL/CUL file number: SA 3124

Nomenclature example: EK-083S

EK	08	3	S
Drier Series	Unit Size (in cu. in.)	Connection Size (in 1/8")	S = ODF connections (omit for SAE)

Dimensional Data



Ordering Information

PCN	Description	Dimensions (in)					Weight (lbs)
		A	B	D	E	F	
060009	EK 032	4.38	-	-	2.56	1.63	0.50
060012	EK 032S	3.88	3.13	0.38			
060011	EK 032FM	3.50	-	-			
060010	EK 032MF	3.50	-	-			
060013	EK 033	4.69	-	-	3.00	0.88	0.88
060014	EK 033S	4.06	3.19	0.44			
047601	EK 052	4.81	-	-	3.02	0.88	0.88
057013	EK 052MF	4.50	-	-			
063978	EK 0525S	3.57	0.32	2.64	3.00	0.88	0.88
047602	EK 052S	4.44	3.69	0.38			
047603	EK 053	5.13	-	-	3.81	2.63	1.25
047604	EK 053S	4.50	3.63	0.44			
047605	EK 082	5.63	-	-	4.75	1.25	1.25
047606	EK 082S	5.25	4.50	0.38			
049551	EK 0825S	5.38	4.38	0.50	7.50	3.06	3.75
056906	EK 083MF	5.94	-	-			
047607	EK 083	5.31	4.44	0.44	7.50	3.06	3.75
047608	EK 083S	6.19	-	-			
047609	EK 084	5.38	4.38	0.50	7.63	3.69	4.75
047610	EK 084S	6.56	-	-			
047611	EK 162	6.19	5.44	0.38	13.06	7.50	7.50
047612	EK 162S	5.94	5.31	0.31			
056045	EK 1625S	6.88	-	-	7.50	3.06	3.75
047613	EK 163	6.25	5.44	0.44			
047614	EK 163S	7.06	-	-	7.63	3.69	4.75
047615	EK 164	6.31	5.31	0.50			
047616	EK 164S	7.50	-	-	7.63	3.69	4.75
047617	EK 165	6.56	5.31	0.63			
047618	EK 165S	7.50	5.63	0.75	7.63	3.69	4.75
047619	EK 167S	9.63	-	-			
048210	EK 303	9.00	8.13	0.44	7.63	3.69	4.75
048211	EK 303S	9.88	-	-			
048212	EK 304	9.13	8.13	0.50	7.63	3.69	4.75
048213	EK 304S	10.31	-	-			
048214	EK 305	9.31	8.06	0.63	7.63	3.69	4.75
048215	EK 305S	9.69	8.44	0.75			
048216	EK 306S	10.25	8.44	0.94	7.63	3.69	4.75
048217	EK 307S	9.75	-	-			
048218	EK 309S	10.00	-	-	7.63	3.69	4.75
048219	EK 413	9.25	8.25	0.50			
048220	EK 414	10.44	-	-	7.63	3.69	4.75
048221	EK 414S	9.44	8.19	0.63			
048222	EK 415	10.00	8.50	0.75	7.63	3.69	4.75
048223	EK 415S	10.94	-	-			
048224	EK 417S	15.44	13.94	0.94	7.63	3.69	4.75
048225	EK 419S	15.75	13.88	0.94			
048228	EK 757S						
048229	EK 759S						

¹Does not include weld bead