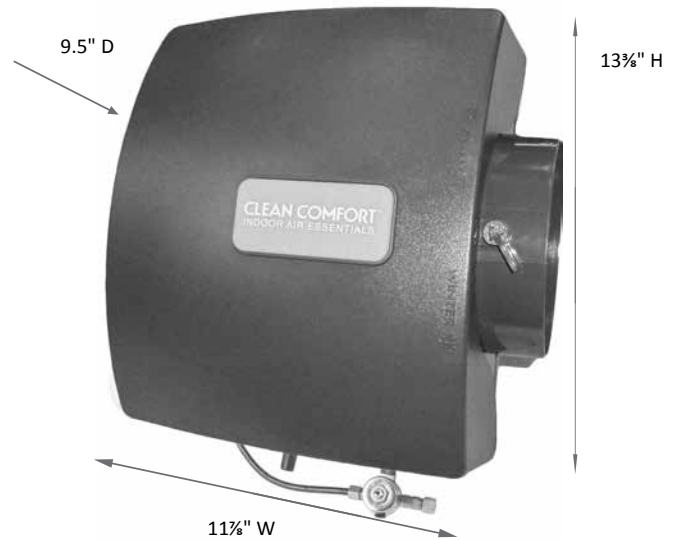


Evaporative Humidifier Model HE12

CLEAN COMFORT™ INDOOR AIR ESSENTIALS

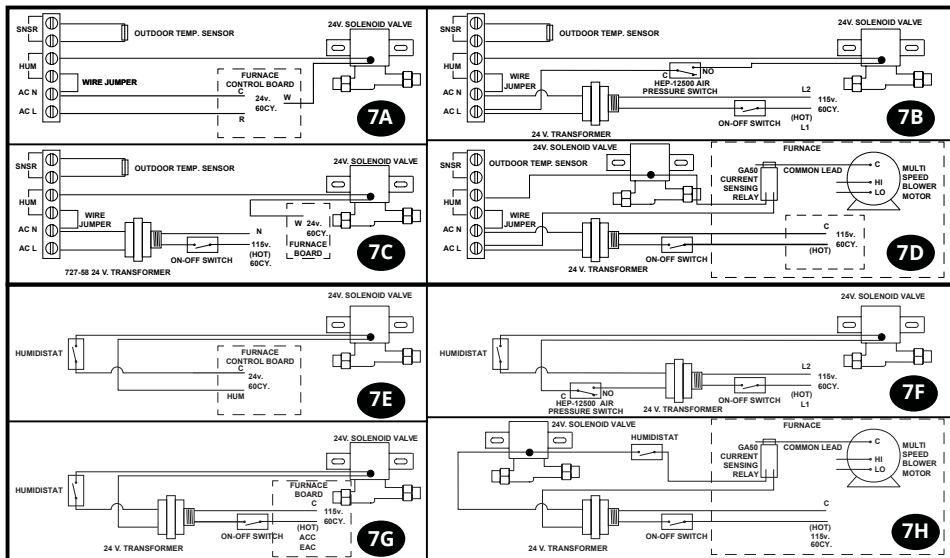
Specifications:

- Model: HE12 (A & M) Evaporative Humidifiers
- Type: Evaporative Flow Through
- Capacity: 12 Gallons Per Day
- Limited Warranty: 10 Years Parts*
- Replacement Vapor Pad®: HEP-GA10 (Replace 1-2 times per season)
- Dimensions: 11 7/8" Wide x 13 3/8" H x 9.5" D
- Weight: 7 Lbs.
- Home Size: To 2,000 Sq. Ft.
- Installation: Warm Air / Return Air Plenum / Right or Left Side
- Plenum Opening: 9 1/8" W x 8 3/4" H
- Bypass Opening: 6"
- Pallet Qty: 30
- Cabinet Construction: DuraPlast® Ultra-Violet Stable Automotive Grade Plastic
- Humidistat: "M" Models: HEP-MHX3 / "A" Models: HEP-GFX3 (Included)
- In Box: Humidifier, Humidistat, Control Bypass Damper, 24VAC Transformer, Solenoid Valve, Vapor Pad®, Saddle Valve, (HEP-GCV3412 Code Valve - A Models), Installation Instructions, Template, Parts.
- Voltage: 24VAC



**10 YEAR
PARTS
LIMITED
WARRANTY***

*Product registration is required in order to get the benefits of the warranty, except that the failure by residents of California or Quebec to register the product will not diminish their warranty rights. Complete warranty details available from your local dealer or at www.cleancomfort.com.



HEP-GFX3
Included
with "A" Models

Automatic Humidistat 7A-7D Electronic Humidistat

- 7A – To furnace control board 24VAC
- 7B – To constant power using 24VAC transformer and pressure switch
- 7C – To furnace control board 115VAC with 24VAC transformer
- 7D – To constant power using 24VAC relay and current sensing relay



HEP-MHX3
Included
with "M" Models

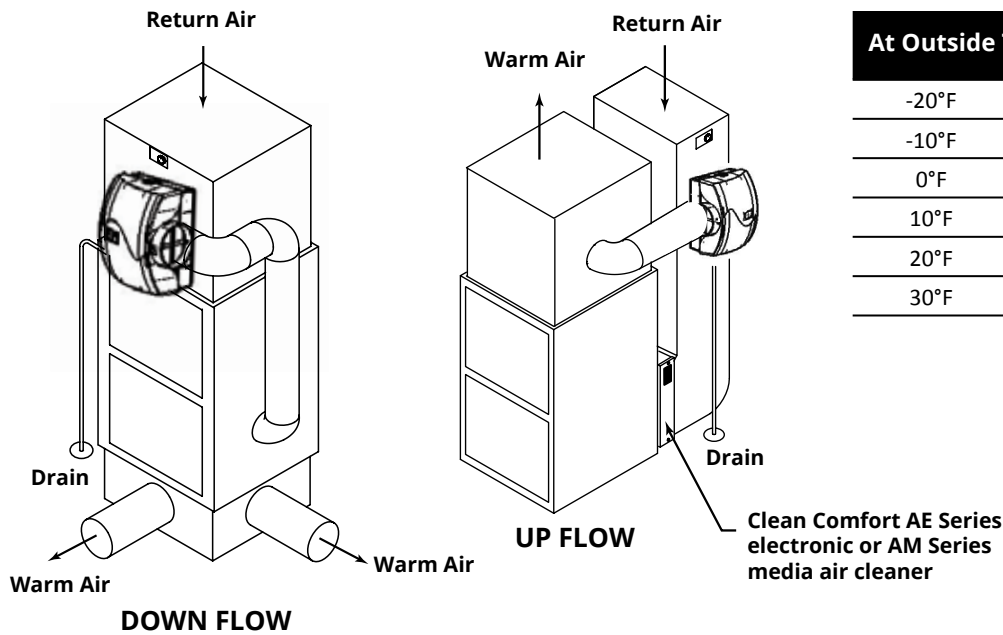
Manual Humidistat 7E-7H Manual Humidistat

- 7E – To furnace control board 24VAC
- 7F – To constant power using 24VAC transformer and pressure switch
- 7G – To furnace control board 115VAC with 24VAC transformer
- 7H – To constant power using 24VAC relay and current sensing relay

TECHNICAL SUPPORT • 1-855-303-1821 • www.cleancomfort.com

Installation

Vertical plenum surface of any forced air furnace



At Outside Temperature		Recommended Setting
-20°F	-29°C	15%
-10°F	-23°C	20%
0°F	-18°C	25%
10°F	-12°C	30%
20°F	-7°C	35%
30°F	-1°C	40%

Expected Humidity Performance Coverage in Sq. Ft. Based on Construction Type

Model No.	GPD	Loose (0.75 AC/H)	Average (0.50 AC/H)	Tight (0.30 AC/H)
HE12	12	800 Sq. Ft.	1200 Sq. Ft.	2000 Sq. Ft.
HE17	17	1115 Sq. Ft.	1650 Sq. Ft.	2800 Sq. Ft.
HE18	18	1175 Sq. Ft.	1770 Sq. Ft.	3000 Sq. Ft.

Humidifier Performance Baseline Criteria

Mode Outside Design Temp. No.	GPD 0°F (-18°C)
Outside Design R.H.	70% R.H.
Inside Design Temp.	70°F (21°C)
Inside Design R.H.	30% R.H.
Air Changes / Hour (AC/H)	0.30
Ceiling Height	8 ft.
Furnace Plenum Temp.	120°F (49°C)
Furnace Run Time for Calculating Sq. Ft.	8 Hr. / Day

TECHNICAL SUPPORT • 1-855-303-1821 • www.cleancomfort.com

Our continuing commitment to quality products may mean a change in specifications without notice.
 © 2013 • **DAIKIN NORTH AMERICA LLC** • Houston, Texas • Printed in the USA.