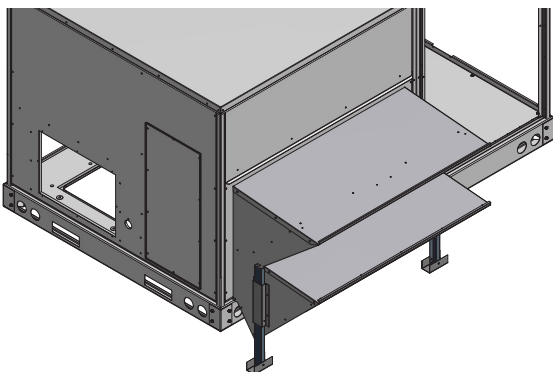


SEQUENCE OF OPERATION

This sequence assumes employment of a single enthalpy economizer using a two stage thermostat.

1. A call for cooling comes from room thermostat.
2. The enthalpy sensor determines if the atmospheric conditions are conducive for using outside air for cooling. If YES, the fresh air damper section of the economizer begins to open.
3. The EXH SET potentiometer should be set such that when the fresh air dampers are open approximately 70% of their full open capacity, EXH1 is energized and the power exhaust is powered to draw the relief air from the space. There is a 60 +/-30 second time delay built into the economizer control before the fan motor actually energizes.
4. When the dampers modulate below the 70% open position due to a satisfied thermostat or atmospheric conditions, the power exhaust disengages immediately.



INSTALLATION WITH ECONOMIZER

1. Open carton and inspect contents for shortages and damage.
2. Disconnect the power to the unit.
3. If the economizer is already fully installed, remove the economizer hoods. If a new installation, do not install the economizer hood.
4. If installing in conjunction with an economizer, install the damper section.
5. Remove the horizontal duct cover panel.
6. Slide the support legs through the guides. (Figure 1)
7. Feed the line voltage and low voltage wires through the knockouts provided in the damper section of the economizer.
8. Attach the power exhaust hood over the barometric relief opening. Extend the support legs and secure them using the screws provided.
9. Feed the line voltage leads to the control section of the package unit and attach them to T1 and T2 on the unit contactor per the included wiring diagram.
10. Attach the low voltage control leads to the Jade economizer controller per the included wiring diagram using the side connectors provided. (Figure 3)
11. On the Jade control, set the position at which the exhaust will energize under the SETPOINTS menu.
12. Reinstall the horizontal duct cover panel and the filter access panel.

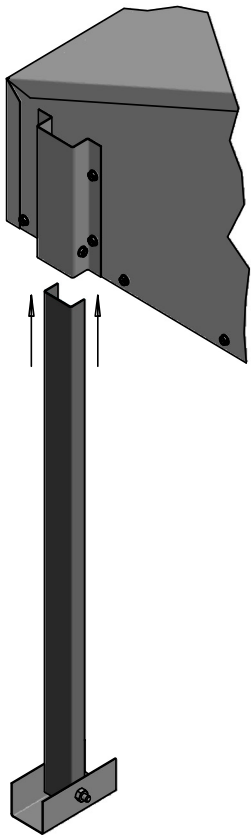


Figure 1



Figure 2

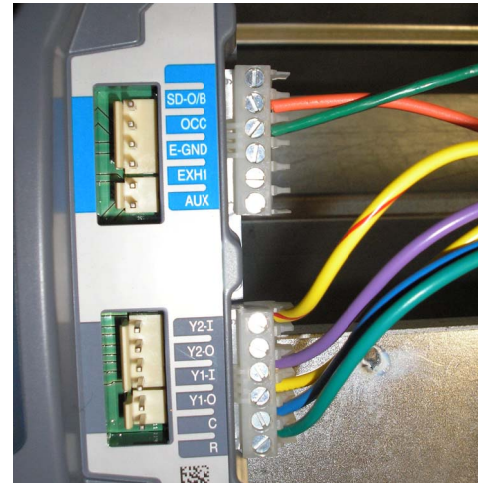


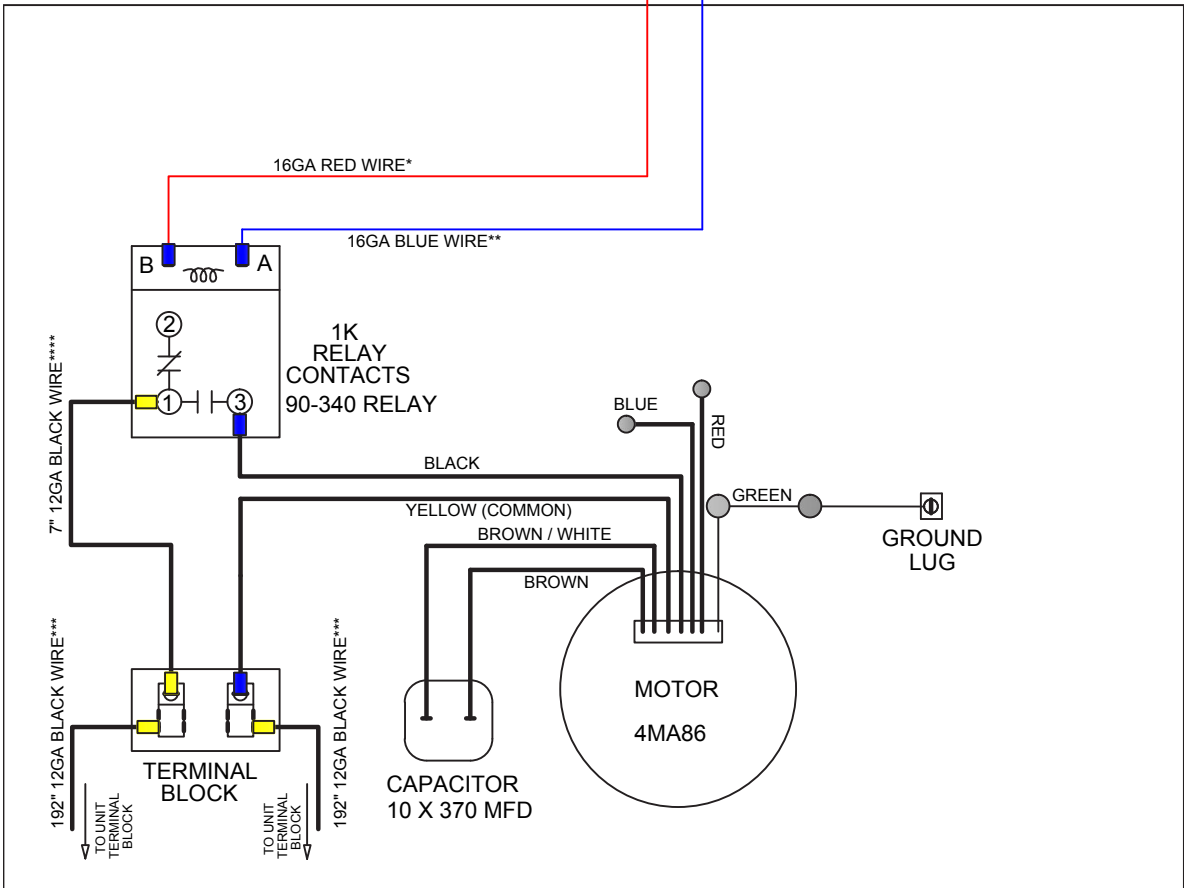
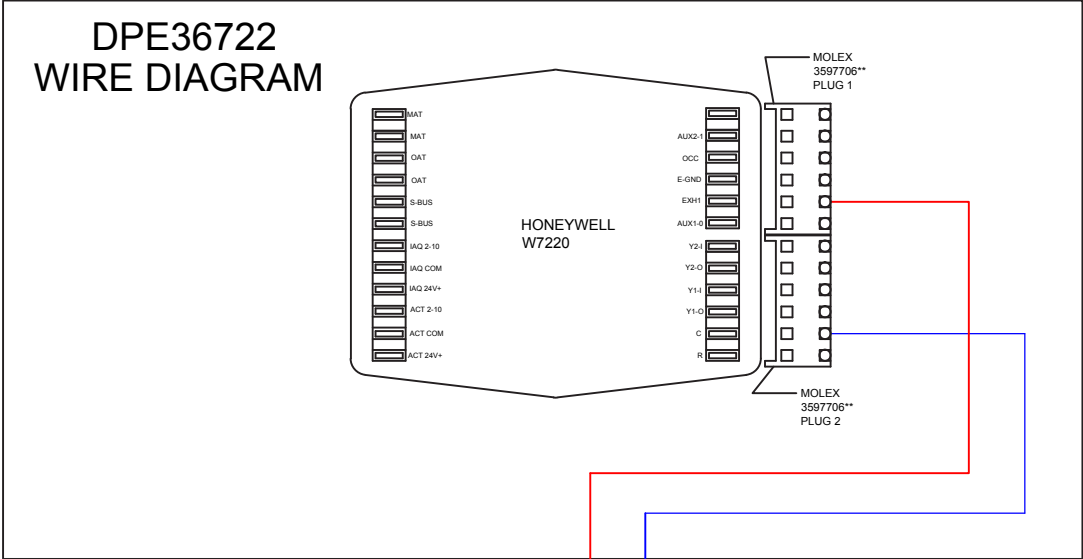
Figure 3

CONTENTS

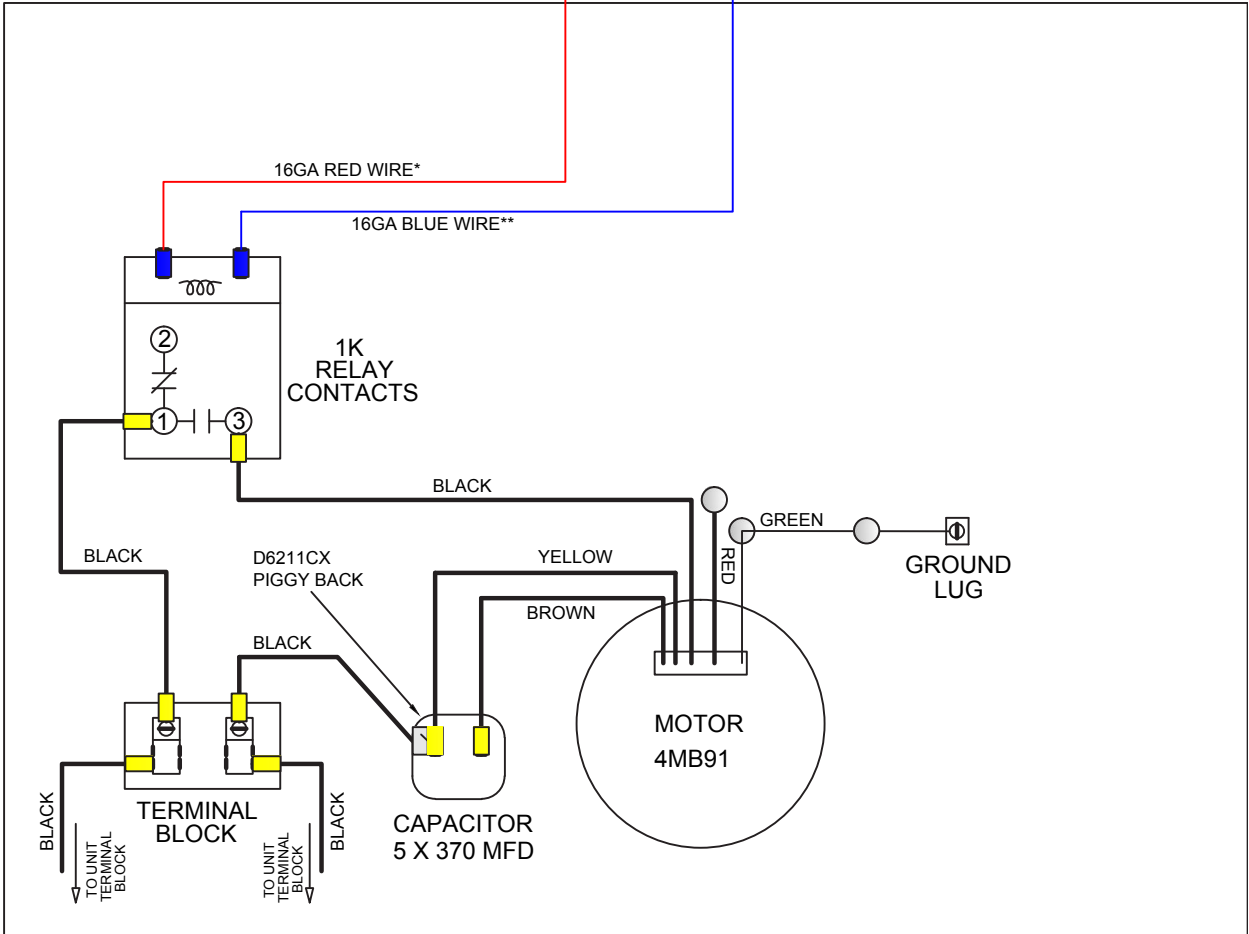
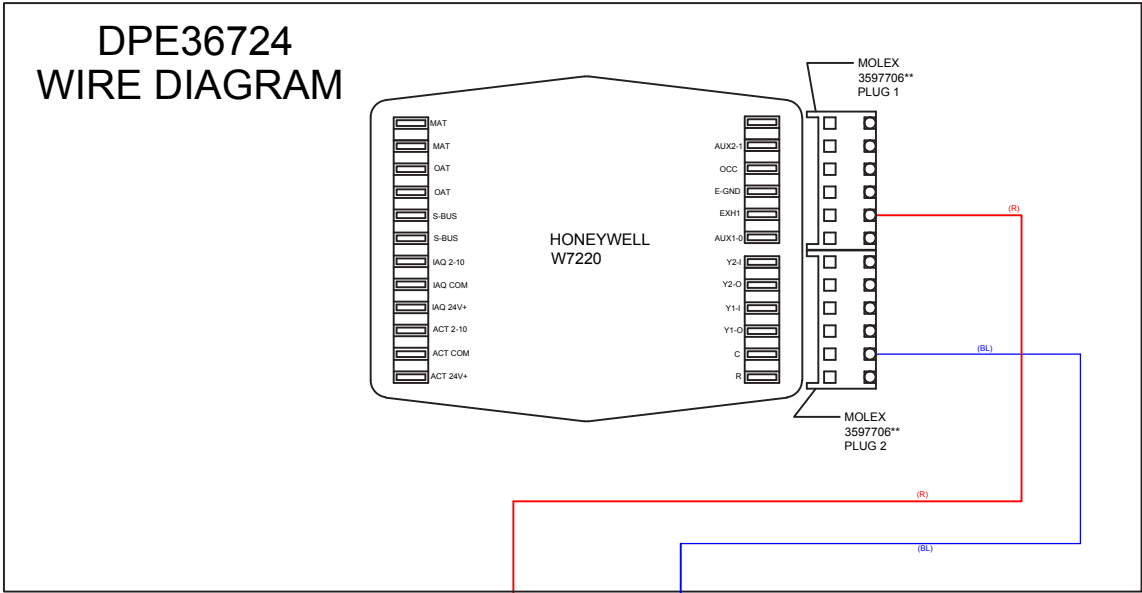
1	Power Exhaust Hood
2	Support Legs
2	Side Connectors
1	Installation Instructions

Model	Voltage	Motor				
		HP	RPM	Type	FLA	Speeds
DPE36722	208/230-1-60	1/3	1625	Direct Drive	2.0	3
DPE36724	460-1-60	1/3	1625	Direct Drive	9	2
DPE36727	575-1-60	1/2	1625	Direct Drive	1	1

DPE36722 WIRE DIAGRAM



DPE36724 WIRE DIAGRAM



DPE36727 WIRE DIAGRAM

