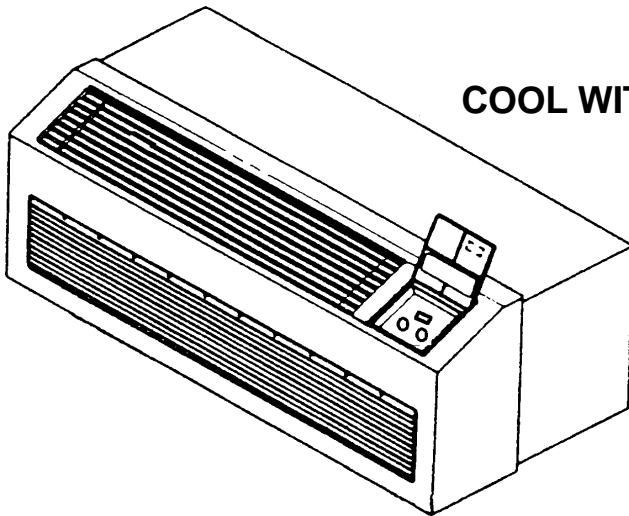


Amana[®]

PTAC **Package Terminal Air Conditioner**



**COOL WITH ELECTRIC HEAT MODELS •
HEAT PUMP MODELS •**

**MODELS WITH SPECIAL
FACTORY INSTALLED FEATURES**
SEACOAST PROTECTION MODELS •
FRONT DESK CONTROL MODELS •
MODELS WITH CONDENSATE PUMPS •

Parts Catalog

Amana Refrigeration, Inc.
2800 220th Trail
PO Box 8901
Amana, Iowa 52204

Models And Manufacturing Numbers Covered In This Catalog

See Pages 4 And 5

Amana
A Raytheon Company

INDEX

IMPORTANT INFORMATION..... 2

MODEL AND MANUFACTURING NUMBERS..... 4 - 5

FUNCTIONAL PARTS LIST..... 6 - 7

ILLUSTRATIONS AND PARTS LIST..... 8 - 29

REV. 1 - UPDATED PART NUMBERS THROUGHOUT CATALOG AND ADDED MODELS SIMILAR TO PRE-EXISTING MODELS; ADDED NEW REMOTE CONTROL MODEL LINE; ADDED "IMPORTANT INFORMATION" PAGE.

REV. 2 - ADDED MODEL & MANUFACTURING NUMBERS SIMILAR TO PRE-EXISTING MODELS. UPDATED PART NUMBERS THROUGHOUT CATALOG.

REV. 3 - ADDED MODEL & MANUFACTURING NUMBERS SIMILAR TO PRE-EXISTING MODELS. UPDATED PART NUMBERS THROUGHOUT CATALOG.

REV. 4 - REVISED PAGES 4 & 5 BY ADDING MODEL & MANUFACTURING NUMBERS SIMILAR TO PRE-EXISTING MODELS.

REV. 5 - REVISED PAGES 4 & 5 BY ADDING MODEL & MANUFACTURING NUMBERS SIMILAR TO PRE-EXISTING MODELS; UPDATED COVER FORMAT & REARRANGED INDEX AND IMPORTANT INFORMATION PAGES.

REV. 6 - ADDED MODEL & MANUFACTURING NUMBERS SIMILAR TO PRE-EXISTING MODELS ON PAGES 4 & 5. UPDATED PART NUMBERS THROUGHOUT CATALOG. CATALOG PART NUMBER RP4210001, REV. 6, WAS RA420001A, REV. 5.

REV. 7 - ADDED MODEL & MANUFACTURING NUMBERS SIMILAR TO PRE-EXISTING MODELS ON PAGES 4 & 5.

MODEL IDENTIFICATION

There are several Model Numbers in the PTAC Series because of variations in capacity and/or Electrical Characteristics. Identification has been simplified by the assignment of code numbers and letters to each Model which denote the Series, Model, and Variation of each unit.

TYPICAL MODEL NUMBER

PT C 07 3 35 J R

PACKAGE TERMINAL _____

C = COOL WITH ELECTRIC HEAT
H = HEAT PUMP

BTU RATING _____
7 = 7,000 BTU HEATING

VOLTAGE RATING _____
3 = 208/230 VOLT, 60 HZ
4 = 265 VOLT, 60 HZ
5 = 220/240 VOLT, 50 HZ

KW OF ELECTRIC HEAT _____
00 = NO ELECTRIC HEAT
15 = 1.5 KW ELECTRIC HEAT
25 = 2.5 KW ELECTRIC HEAT
30 = 3.0 KW ELECTRIC HEAT
35 = 3.5 KW ELECTRIC HEAT
40 = 4.0 KW ELECTRIC HEAT
50 = 5.0 KW ELECTRIC HEAT

DESIGN LEVEL _____

SPECIAL FACTORY INSTALLED FEATURES _____
R = REMOTE CONTROL THERMOSTAT
C = SEACOAST
D = CONDENSATE DISPOSAL PUMP
F = FRONT DESK CONTROL
P = FREEZE PROTECTION
T = REMOTE THERMOSTAT

MANUFACTURING NUMBERS AND MODELS INCLUDED IN THIS CATALOG

NOTE: FOR MODELS WITH ELECTRIC HEATERS, SEE PTAC ACCESSORY CATALOG FOR BREAK-DOWN OF AVAILABLE HEATER SERVICE PARTS

STANDARD COOL WITH ELECTRIC HEAT MODELS

P1169146R	PTC07300J
P1169101R	PTC07325J
P1169102R	PTC07335J
P1169103R	PTC07335J
P1169104R	PTC09300J
P1169161R	PTC09300J
P1169105R	PTC09325J
P1169162R	PTC09325J
P1169106R	PTC09335J
P1169107R	PTC09335J
P1169108R	PTC09350J
P1169109R	PTC12300J
P1169110R	PTC12325J
P1169163R	PTC12325J
P1169111R	PTC12335J
P1169112R	PTC12335J
P1169113R	PTC12350J
P1169164R	PTC12350J
P1169150R	PTC15300J
P1169145R	PTC15325J
P1169114R	PTC15335J
P1169115R	PTC15350J
P1169116R	PTC07425J
P1169168R	PTC07435J
P1169117R	PTC09425J
P1169154R	PTC09430J
P1169118R	PTC09435J
P1169153R	PTC12430J
P1169119R	PTC12435J
P1169152R	PTC15430J
P1169120R	PTC15435J
P1169142R	PTC15450J
P1169180R	PTC15400J
P1169176R	PTC09340J
P1169177R	PTC09340J
P1169175R	PTC12450J

STANDARD COOL WITH ELECTRIC HEAT SEACOAST MODELS

P1169217R	PTC09300JC
P1169201R	PTC09335JC
P1169215R	PTC09435JC
P1169202R	PTC12335JC
P1169220R	PTC12335JC
P1169212R	PTC12350JC
P1169203R	PTC15335JC
P1169216R	PTC15350JC
P1169207R	PTC12425JC

STANDARD COOL WITH FACTORY INSTALLED FREEZE PROTECTION KIT

P1169431R	PTC12400JP
-----------	------------

STANDARD COOL WITH ELECTRIC HEAT & REMOTE CONTROL FEATURE

P1169310R	PTC07335JR
P1169326R	PTC09325JR
P1169301R	PTC09335JR
P1169315R	PTC09335JR
P1169316R	PTC09350JR
P1169302R	PTC12335JR
P1169325R	PTC12335JR
P1169303R	PTC15335JR
P1169317R	PTC15350JR
P1169328R	PTC12350JR
P1169329R	PTC12350JR
P1169335R	PTC07435JR

STANDARD COOL WITH FACTORY INSTALLED REMOTE CONTROL KIT

P1169435R	PTC07300JT
P1169436R	PTC09300JT
P1169439R	PTC09300JT
P1169437R	PTC12300JT
P1169440R	PTC12300JT
P1169438R	PTC15300JT

STANDARD COOL WITH FACTORY INSTALLED FRONT DESK CONTROL

P1169427R	PTC12335JF
-----------	------------

STANDARD COOL WITH FACTORY INSTALLED FRONT DESK CONTROL & REMOTE CONTROL KIT

P1169429R	PTC09335JFT
P1169430R	PTC09335JFT

STANDARD HEAT PUMP MODELS

P1169121R	PTH07325J
P1169122R	PTH07335J
P1169123R	PTH07335J
P1169772R	PTH07415J
P1169159R	PTH07425J
P1169136R	PTH07435J
P1169156R	PTH07450J
P1169124R	PTH09300J
P1169125R	PTH09325J
P1169169R	PTH09325K
P1169126R	PTH09335J
P1169170R	PTH09335K
P1169128R	PTH09350J
P1169171R	PTH09350K
P1169148R	PTH09425J
P1169129R	PTH12300J
P1169130R	PTH12325J
P1169165R	PTH12325J
P1169165R	PTH12325J
P1169131R	PTH12335J
P1169132R	PTH12335J

MANUFACTURING NUMBERS AND MODELS INCLUDED IN THIS CATALOG

NOTE: FOR MODELS WITH ELECTRIC HEATERS, SEE PTAC ACCESSORY CATALOG FOR BREAK-DOWN OF AVAILABLE HEATER SERVICE PARTS

P1169166R	PTH12350J
P1169160R	PTH12450J
P1169133R	PTH12350J
P1169166R	PTH12350J
P1169155R	PTH15300J
P1169147R	PTH15325J
P1169134R	PTH15335J
P1169135R	PTH15350J
P1169173R	PTH09415J
P1169137R	PTH09435J
P1169138R	PTH12425J
P1169139R	PTH12435J
P1169140R	PTH15435J
P1169141R	PTH15450J
P1169174R	PTH07300J

HEAT PUMP MODELS WITH FACTORY INSTALLED REMOTE CONTROL FEATURE

P1169307R	PTH07325JR
P1169304R	PTH07335JR
P1169308R	PTH09325JR
P1169330R	PTH09325KR
P1169305R	PTH09335JR
P1169331R	PTH09335KR
P1169322R	PTH09425JR
P1169306R	PTH12335JR
P1169327R	PTH12335JR
P1169323R	PTH12425JR
P1169311R	PTH12435JR
P1169314R	PTH12435JR
P1169309R	PTH15335JR
P1169312R	PTH15350JR
P1169313R	PTH15435JR
P1169332R	PTH12350JR
P1169333R	PTH12350JR

HEAT PUMP MODELS WITH FACTORY INSTALLED REMOTE CONTROL FEATURE & FREEZE PROTECTOR

P1169432R	PTH15335JRP
-----------	-------------

HEAT PUMP SEACOAST MODELS

P1169222R	PTH09335KC
P1169220R	PTC12335JC
P1169218R	PTC15300JC
P1169213R	PTH07335JC
P1169204R	PTH12335JC
P1169211R	PTH12350JC
P1169221R	PTH12335JC
P1169205R	PTH15335JC
P1169208R	PTH15350JC

HEAT PUMP - LOW FAN SPEED MODELS

P1169167R	PTH09425JL
-----------	------------

**THE FOLLOWING MODELS ARE BUILT WITH
FACTORY INSTALLED ACCESSORY KITS --
PLEASE REFER TO PTAC ACCESSORY CATA-
LOG FOR KIT REPLACEMENT PARTS**

HEAT PUMP MODELS WITH FACTORY INSTALLED

CONDENSATE DISPOSAL PUMP KIT

P1169402R	PTH09335JD
P1169433R	PTH09350JD
P1169434R	PTH094A35JD
P1169418R	PTH15350JD

HEAT PUMP MODELS WITH FACTORY INSTALLED CONDENSATE DISPOSAL PUMP KIT AND FRONT DESK CONTROL KIT

P1169403R	PTH12335JDF
-----------	-------------

MODELS WITH FACTORY INSTALLED FRONT DESK CONTROL KIT

P1169424R	PTH09325JF
P1169441R	PTH09325KF
P1169442R	PTH09335KF
P1169321R	PTC09435JF
P1169404R	PTH12335JF
P1169427R	PTC12335JF
P1169421R	PTC12323JF
P1169428R	PTH12335JF
P1169417R	PTC15350JF
P1169425R	PTH15350JF

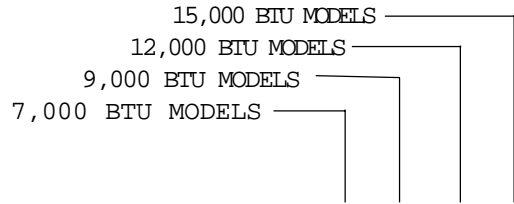
HEAT PUMP MODELS WITH FACTORY INSTALLED FRONT DESK CONTROL KIT & FREEZE PROTECTION KIT

P1169422R	PTC09335JFP
P1169423R	PTC12335JFP
P1169405R	PTH12335JFP

HEAT PUMP MODELS WITH FACTORY INSTALLED REMOTE CONTROL KIT

P1169419R	PTH07335JT
P1169414R	PTH09335JT
P1169415R	PTH12335JT

FUNCTIONAL PARTS LIST

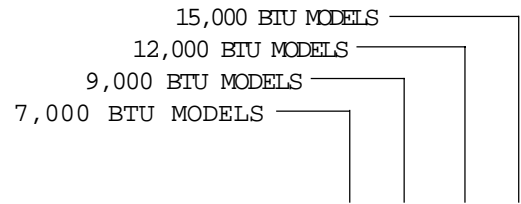


**PART
NUMBER**

DESCRIPTION

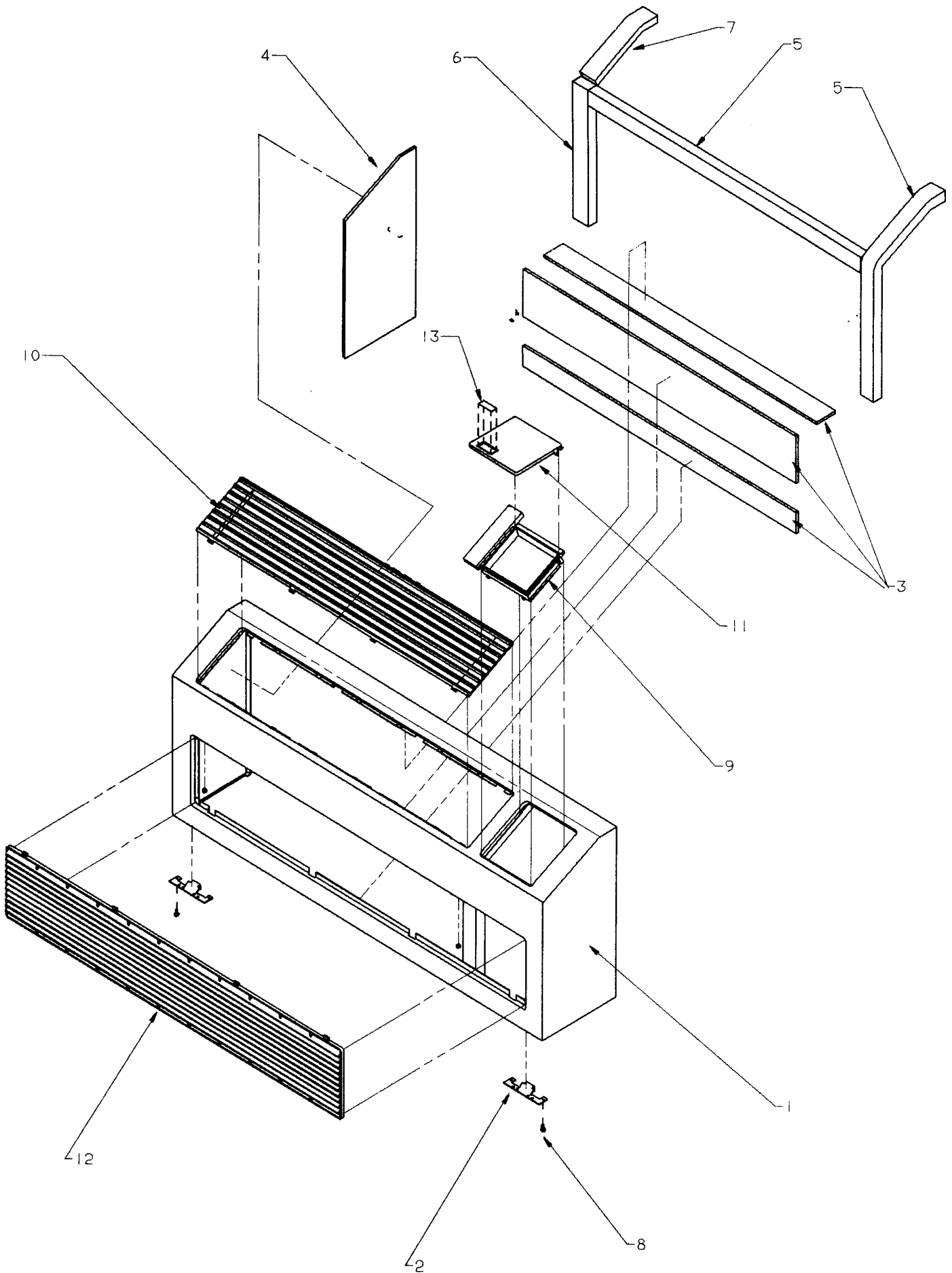
PART NUMBER	DESCRIPTION	7,000 BTU MODELS	9,000 BTU MODELS	12,000 BTU MODELS	15,000 BTU MODELS
C6288401	BLOCK-TERMINAL (REMOTE CONTROL MDLS)	1	1	1	1
D6879833	CAPACITOR-230V (USED WITH COMP PANASONIC 2R10S3R236A, TOSHIBA PH68X1-3BU1 & TOSHIBA PRH68XA43)	1	-	-	-
D6879827	CAPACITOR-230V (USED WITH COMP PANASONIC 2K17C3R235A & PANASONIC 2P17S3R236A)	-	1	1	-
D6905403	CAPACITOR-BLOWER MOTOR, 208/230V & 265V 3mf	1	1	-	-
D6879837	CAPACITOR-230V (USED WITH COMP PANASONIC 2P14S3R236A)	-	1	-	-
D6879835	CAPACITOR-230V (USED WITH COMP TECUMSEH RK124ET)	-	1	-	-
*D6879836	CAPACITOR-230V (USED WITH COMP TECUMSEH RK5512E)	-	-	1	-
*D6879838	CAPACITOR-265V (USED WITH COMP PANASONIC 2P14S3R276A)	-	1	-	-
D6879839	CAPACITOR-265V (USED WITH COMP PANASONIC 2P17S3R276A)	-	-	1	-
D6879829	CAPACITOR-230V (USED WITH COMP PANASONIC 2K22S3R236A)	-	-	-	1
D6879828	CAPACITOR-265V (USED WITH COMP PANASONIC 2K22S3R276A)	-	-	-	1
D6879834	CAPACITOR-265V (USED WITH COMP PANASONIC 2R10S3R276A)	1	-	-	-
D6905402	CAPACITOR-BLOWER MOTOR, 230V 4mf	-	-	1	1
D6905403	CAPACITOR-BLOWER MOTOR, 230V 4mf	1	1	-	-
D6926108	COMPRESSOR-PANASONIC 2K17C3R235A, 220/240V, 50HZ,	-	1	-	-
D6926111	COMPRESSOR-PANASONIC 2K22S3R236A, 230/208V	-	-	-	1
D6926112	COMPRESSOR-PANASONIC 2K22S3R276A, 265V	-	-	-	1
*D6985808	COMPRESSOR-PANASONIC 2P14S3R236A, 230/208V	-	1	-	-
*D6985809	COMPRESSOR-PANASONIC 2P14S3R276A, 265V	-	1	-	-
D6985807	COMPRESSOR-PANASONIC 2P17S3R236A, 230/208V	-	-	1	-
*D6985810	COMPRESSOR-PANASONIC 2P17S3R276A, 265V	-	-	1	-
D6887709	COMPRESSOR-PANASONIC 2R10S3R236A, 230/208V	1	-	-	-
D6887710	COMPRESSOR-PANASONIC 2R10S3R276A, 265V	1	-	-	-
D9871711	COMPRESSOR-230/208V SEACOAST PROTECTED	1	-	-	-
*D9871715	COMPRESSOR-230/208V SEACOAST PROTECTED	-	-	1	-
D9871707	COMPRESSOR-230/208V SEACOAST PROTECTED	-	-	-	1
*D9871714	COMPRESSOR-230/208V SEACOAST PROTECTED	-	1	-	-
D9871718	COMPRESSOR-230/208V SEACOAST PROTECTED, HEAT PUMP MODELS	-	1	-	-
D9871719	COMPRESSOR-230/208V SEACOAST PROTECTED, COOL MODELS	-	-	1	-
D9831806	COMPRESSOR-TECUMSEH RK124ET, 230/208V	-	1	-	-
D9831804	COMPRESSOR-TECUMSEH RK5512E, 230/208V	-	-	1	-
*D9940212	COMPRESSOR-TOSHIBA PH68X1-3BU1, 230/208V	1	-	-	-
D9940209	COMPRESSOR-TOSHIBA PRH68XA43	1	-	-	-
10388801	MOTOR-CONDENSER (USED ON 230V COOL W/ELEC HEAT & HEAT PUMP MDLS)	1	1	-	-
D9843202	MOTOR-CONDENSER (USED ON 230V COOL W/ELEC HEAT & HEAT PUMP MDLS)	-	-	1	-
D9843201	MOTOR-CONDENSER (USED ON 230V COOL W/ELECTRIC HEAT MDLS)	-	-	-	1
*D9843206	MOTOR-CONDENSER (USED ON 230V HEAT PUMP MDLS)	-	-	-	1
10388802	MOTOR-CONDENSER (USED ON 265V COOL W/ELEC HEAT & HEAT PUMP MDLS)	1	1	-	-
D9843204	MOTOR-CONDENSER (USED ON 265V COOL W/ELEC HEAT & HEAT PUMP MDLS)	-	-	1	-
D9843203	MOTOR-CONDENSER (USED ON 265V COOL W/ELEC HEAT MDLS)	-	-	-	1
*D9843207	MOTOR-CONDENSER (USED ON 265V HEAT PUMP MDLS)	-	-	-	1
10292801	MOTOR-EVAPORATOR (USED ON 230V MDLS)	-	-	1	1
10292802	MOTOR-EVAPORATOR (USED ON 230V MDLS)	1	1	-	-
10292803	MOTOR-EVAPORATOR (USED ON 265V MDLS)	-	-	1	1
10292804	MOTOR-EVAPORATOR (USED ON 265V MDLS)	1	1	-	-
D6961636	OVERLOAD, 230/208V (USED ON COMP PANASONIC 2R10S3R236A)	1	-	-	-
D6961627	OVERLOAD, 230/208V (USED ON COMP PANASONIC 2K22S3R236A)	-	-	-	1
D6961624	OVERLOAD, 265V (USED ON COMP PANASONIC 2K22S3R276A)	-	-	-	1
*D6961641	OVERLOAD, 230/208V (USED ON COMP PANASONIC 2P14S3R236A)	-	1	-	-
D6961619	OVERLOAD, 230/208V (USED ON COMP TOSHIBA PH68X1-3BU1)	1	-	-	-
D4976667	OVERLOAD, 220/240V, 50HZ (USED ON COMP PANASONIC 2K17C3R235A)	-	1	-	-
D6961632	OVERLOAD, 230/208V (USED ON COMP TECUMSEH RK5512E)	-	-	1	-
D6961612	OVERLOAD, 230/208V (USED ON COMP PANASONIC 2P17S3R236A)	-	-	1	-
D6961637	OVERLOAD, 265V (USED ON COMP PANASONIC 2R10S3R276A)	1	-	-	-

FUNCTIONAL PARTS LIST (CON'T)

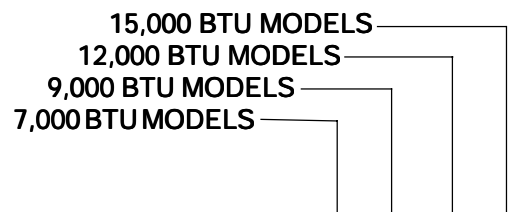


PART NUMBER	DESCRIPTION				
*D6961644	OVERLOAD, 230/208V (USED ON COMP TECUMSEH RK124ET)	-	1	-	-
D6961614	OVERLOAD, 230/208V (USED ON COMP TOSHIBA PRH68XA43)	1	-	-	-
*D6961642	OVERLOAD, 265V (USED ON COMP PANASONIC 2P14S3R276A)	-	1	-	-
*D6961643	OVERLOAD, 265V (USED ON COMP PANASONIC 2P17S3R276A)	-	-	1	-
C8873918	RELAY ("T" MDLS-FACTORY INSTALLED REMOTE CONTROL KIT)	1	1	1	-
C8873914	RELAY (REMOTE CONTROL MDLS)	1	1	1	1
C8873918	RELAY (REMOTE CONTROL MDLS)	1	1	1	1
C8873906	RELAY (230/208V MDLS) (REMOTE CONTROL MDLS)	2	2	2	2
C8873906	RELAY (265V MDLS) (REMOTE CONTROL MDLS)	-	-	1	1
C8873919	RELAY (CONDENSATE DISPOSAL PUMP MDLS)	-	1	1	1
C8873917	RELAY (265V FREEZE PROTECTED MDLS)	-	-	1	-
C8873916	RELAY (265V FREEZE PROTECTED MDLS)	-	-	2	-
B1150406	SOLENOID-COIL, 230/208V (HEAT PUMP MODELS ONLY WITH S/N'S PRIOR TO #9308)	1	1	1	1
B1150407	SOLENOID-COIL, 265V (HEAT PUMP MODELS ONLY WITH S/N'S PRIOR TO #9308)	1	1	1	1
10702202	SOLENOID-COIL, 230/208V (STANDARD MDLS) (HEAT PUMP MODELS ONLY WITH S/N #9308 AND LATER)	1	1	1	1
10702203	SOLENOID-COIL, 265V (STANDARD MDLS) (HEAT PUMP MODELS ONLY WITH S/N #9308 AND LATER)	1	1	1	1
10702201	SOLENOID-COIL, 24V (REMOTE CONTROL MDLS) (HEAT PUMP MODELS ONLY WITH S/N #9308 AND LATER)	1	1	1	1
B1337701	SWITCH-PADDLE	1	1	1	1
*10634301	SWITCH-ROCKER	1	1	1	1
*10634801	SWITCH-ROTARY	1	1	1	1
C6396601	THERMOSTAT-EMERGENCY (HEAT PUMP MDLS ONLY)	-	1	1	1
C6396602	THERMOSTAT-EMERGENCY (HEAT PUMP MDLS ONLY)	1	-	-	-
10718901	THERMOSTAT-FLOOD BACK (230/208V & 265V MDLS)	1	1	-	-
10718902	THERMOSTAT-FLOOD BACK (230/208V & 265V MDLS)	-	-	1	1
B1397902	TRANSFORMER ("T" MDLS-FACTORY INSTALLED REMOTE CONTROL KIT)	-	1	1	-
B1397901	TRANSFORMER ("T" MDLS-FACTORY INSTALLED REMOTE CONTROL KIT)	1	-	-	-
B1378501	TRANSFORMER (230/208V) (REMOTE CONTROL MDLS)	1	1	1	1
C6367503	TRANSFORMER (265V) (REMOTE CONTROL MDLS)	-	-	1	1
B1323501	VALVE-DRAINPAN (HEAT PUMP MDLS EXCEPT CONDENSATE PUMP MDLS)	1	1	1	1
D9834701	VALVE-REVERSING (HEAT PUMP MDLS ONLY) (WITH S/N'S PRIOR TO #9308)	1	1	1	1
10702101	VALVE-REVERSING (HEAT PUMP MDLS ONLY) (WITH S/N #9308 AND LATER)	1	1	1	1
D9821501	WHEEL-BLOWER	1	1	1	1
*10293804	MANUAL-OWNERS (COOL W/ELECTRIC HEAT MDLS ONLY)	1	1	1	1
*10305004	MANUAL-OWNERS (HEAT PUMP MDLS ONLY)	1	1	1	1
10305504	MANUAL-OWNERS (REMOTE CONTROL MDLS ONLY)	1	1	1	1

FRONT ASSEMBLY

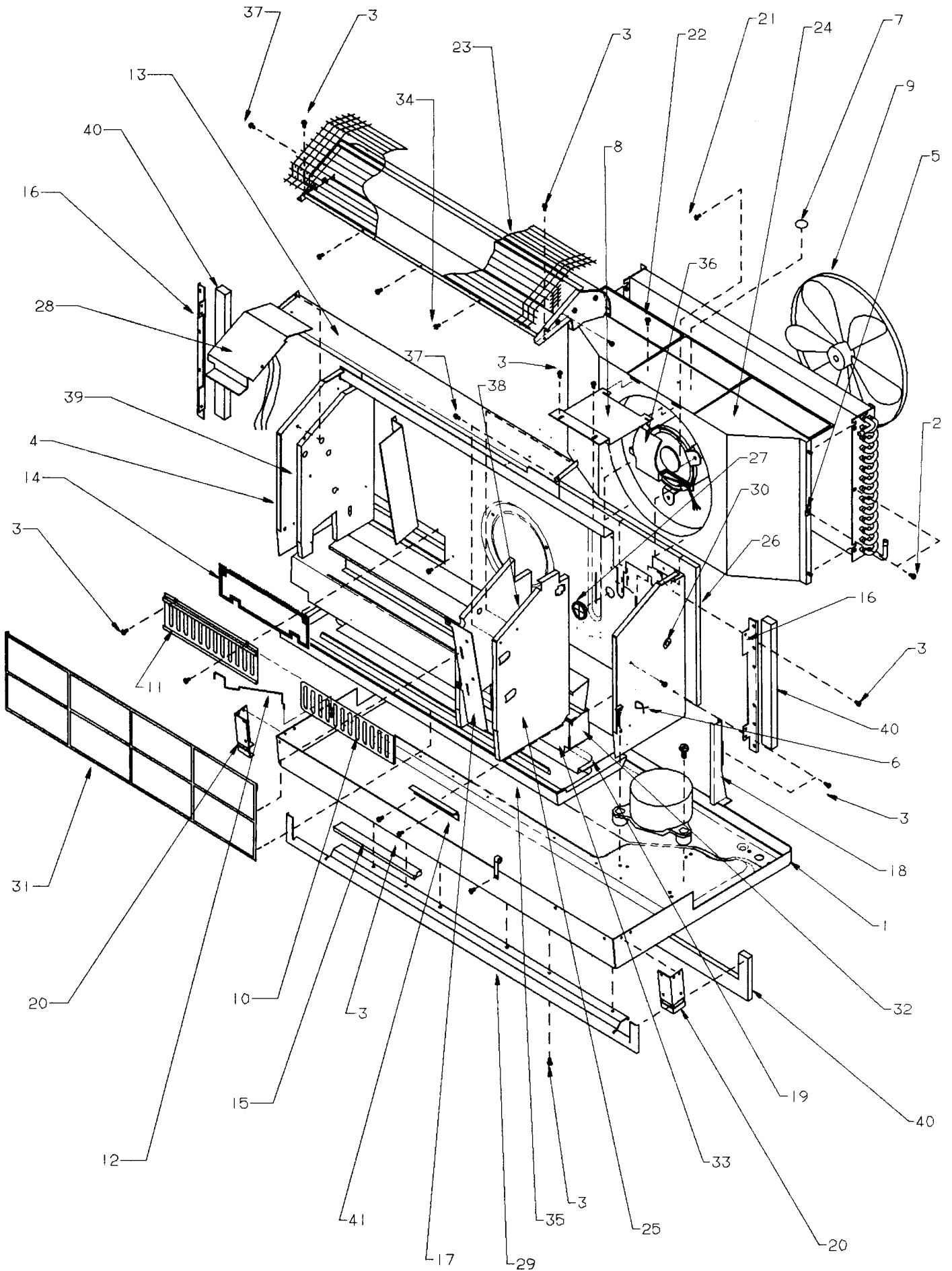


PARTS LIST

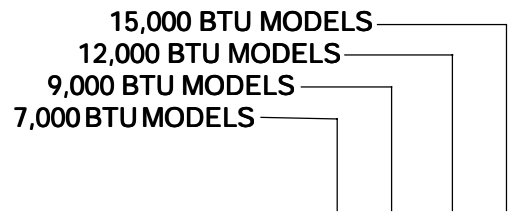


REF. NO.	PART NUMBER	DESCRIPTION				
01	D9818102	FRONT-PNT	1	1	1	1
02	C6470001	BRACKET-FRONT MOUNT	2	2	2	2
03	10827501	INSULATION-FRONT	1	1	1	1
04	D9862001	INSULATION-LEFT FRONT	1	1	1	1
05	10839717	GASKET	AR	AR	AR	AR
06	10839718	GASKET	AR	AR	AR	AR
07	10839719	GASKET	AR	AR	AR	AR
08	M0213317	SCREW-SM	6	6	6	6
09	D9813902	BEZEL-DOOR	1	1	1	1
10	D9817302	GRILLE-DISCHARGE	1	1	1	1
11	D9836303	DOOR-CONTROL	1	1	1	1
12	10204404	GRILLE-INTAKE	1	1	1	1
13	A4689701	NAMEPLATE-AMANA	1	1	1	1

CHASSIS ASSEMBLY

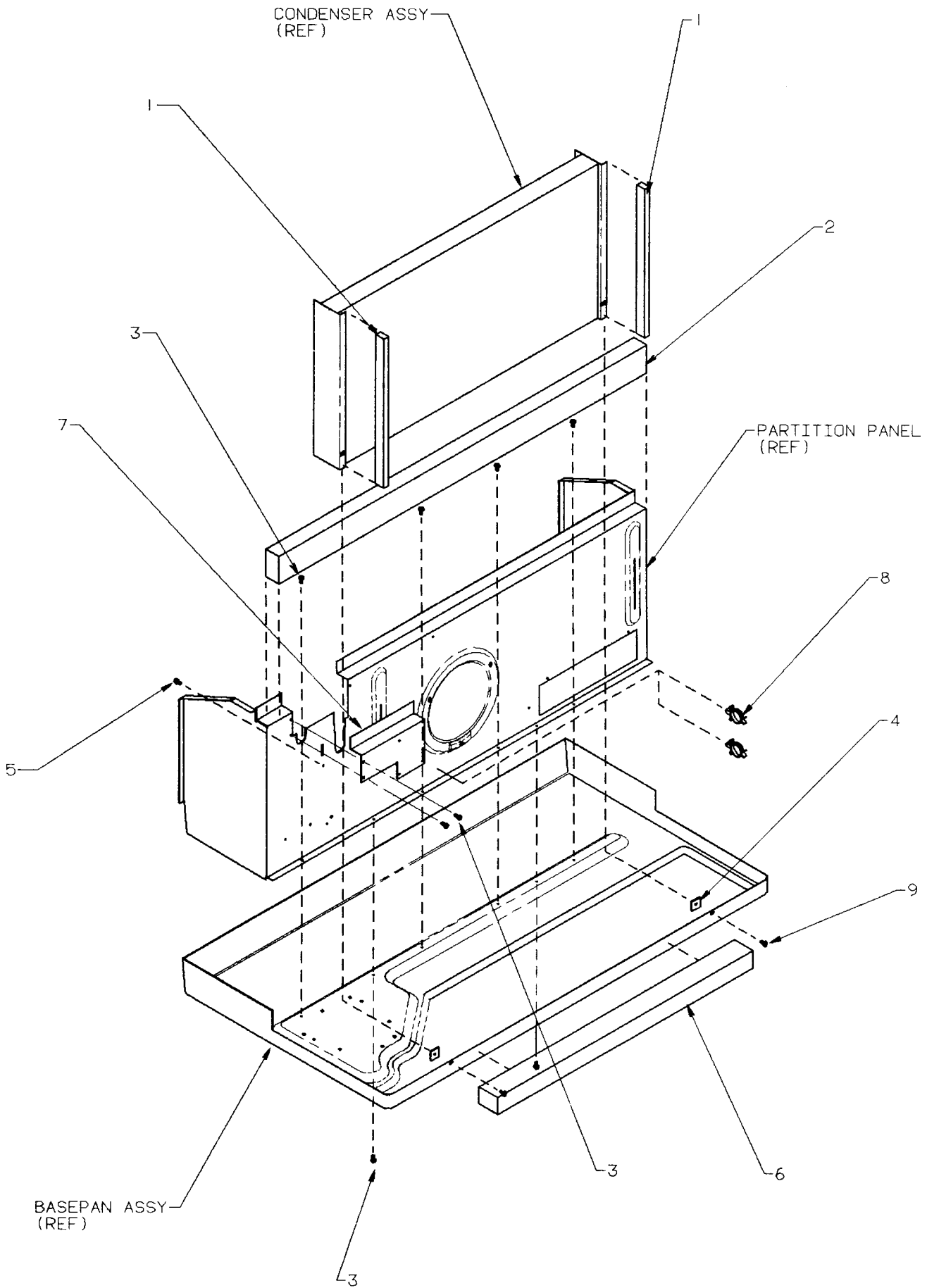


PARTS LIST



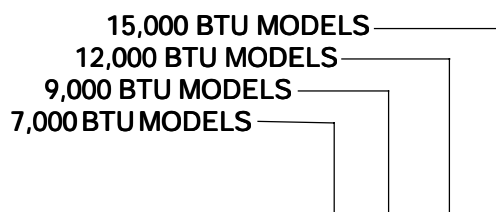
REF. NO.	PART NUMBER	DESCRIPTION				
01	D9845808	BASEPAN WELD-PNT (ALL MDLS EXCEPT SEACOAST)	1	1	1	1
01	D9845809	BASEPAN WELD-TECUMSEH (SEACOAST MDLS ONLY)	-	1	1	1
02	M0227803	SCREW-TC	2	2	2	2
03	M0211216	SCREW-SM	AR	AR	AR	AR
*04	10286010	PARTITION PANEL-PNT (ALL MDLS EXCEPT SEACOAST)	1	1	1	1
*04	10286011	PARTITION PANEL-TC (SEACOAST MDLS ONLY)	-	1	1	1
05	M0287211	NUT-SPEED "J"	2	2	2	2
06	M0102328	CLAMP-TUBE	1	1	1	1
07	M0570801	PLUG-BUTTON	1	1	1	1
*08	10623301	BRACE-TIE	1	1	1	1
09	10142501	FAN-CONDENSER	1	1	1	1
10	D9815501	SLIDE-AIR	1	1	1	1
11	D9815601	CONTROL-AIR	1	1	1	1
12	D9840901	WIRE-SLIDE	1	1	1	1
13	10072101	COVER-EVAPORATOR	1	1	1	1
14	C6478301	SCREEN-VENT	1	1	1	1
15	10839710	GASKET	AR	AR	AR	AR
16	10171201	SEAL-SIDE	2	2	2	2
17	C6466501	COVER-RETURN BEND	1	1	1	1
18	D9851501	CHANNEL-CORD SET	1	1	1	1
19	C6490201	SHIELD-FILLER BLOCK EXTENSION	1	1	1	1
20	C6472501	BRACKET-FRONT SUPPORT	2	2	2	2
21	M0253555	SCREW-TR	3	3	3	3
22	M0233716	SCREW-SD	1	1	1	1
*23	D9893001	SCREEN	1	1	1	1
*24	D9814102	SHROUD-CONDENSER	1	1	1	1
25	D9814201	PANEL-MIDPARTITION	1	1	1	1
26	10402201	INSULATION-PARTITION PANEL (USED PRIOR TO S/N 9308)	1	1	1	1
26	10592902	PAD-PARTITION PANEL	1	1	1	1
27	A4691702	GROMMET	1	1	1	1
*28	D9815809	MOTOR SHIELD-PNT	1	1	1	1
29	10171101	RAIL-BOTTOM	1	1	1	1
30	A4568701	GROMMET	1	1	1	1
31	10078901	FILTER	1	1	1	1
32	D9821301	SHIELD-FILLER BLOCK	1	1	1	1
33	D9840201	EXTENSION-FILLER BLOCK	1	1	1	1
34	M0241116	SCREW-SM	3	3	3	3
35	D9841001	BLOCK-FILLER	1	1	1	1
36	D9846001	PICKUP-CONDENSATE	1	1	1	1
37	M0216716	SCREW-SM	8	8	8	8
38	D9846401	INSULATION-MIDPARTITION PANEL	1	1	1	1
39	D9846501	INSULATION-LEFT SIDE	1	1	1	1
*40	10839807	GASKET-SEALING	AR	AR	AR	AR
41	B1433501	SUPPORT-CONTROL PANEL (CONDENSATE PUMP, FRONT DESK CONTROL & FREEZE PROTECTED MDLS ONLY)	1	1	1	1

CHASSIS ASSEMBLY (CON'T)



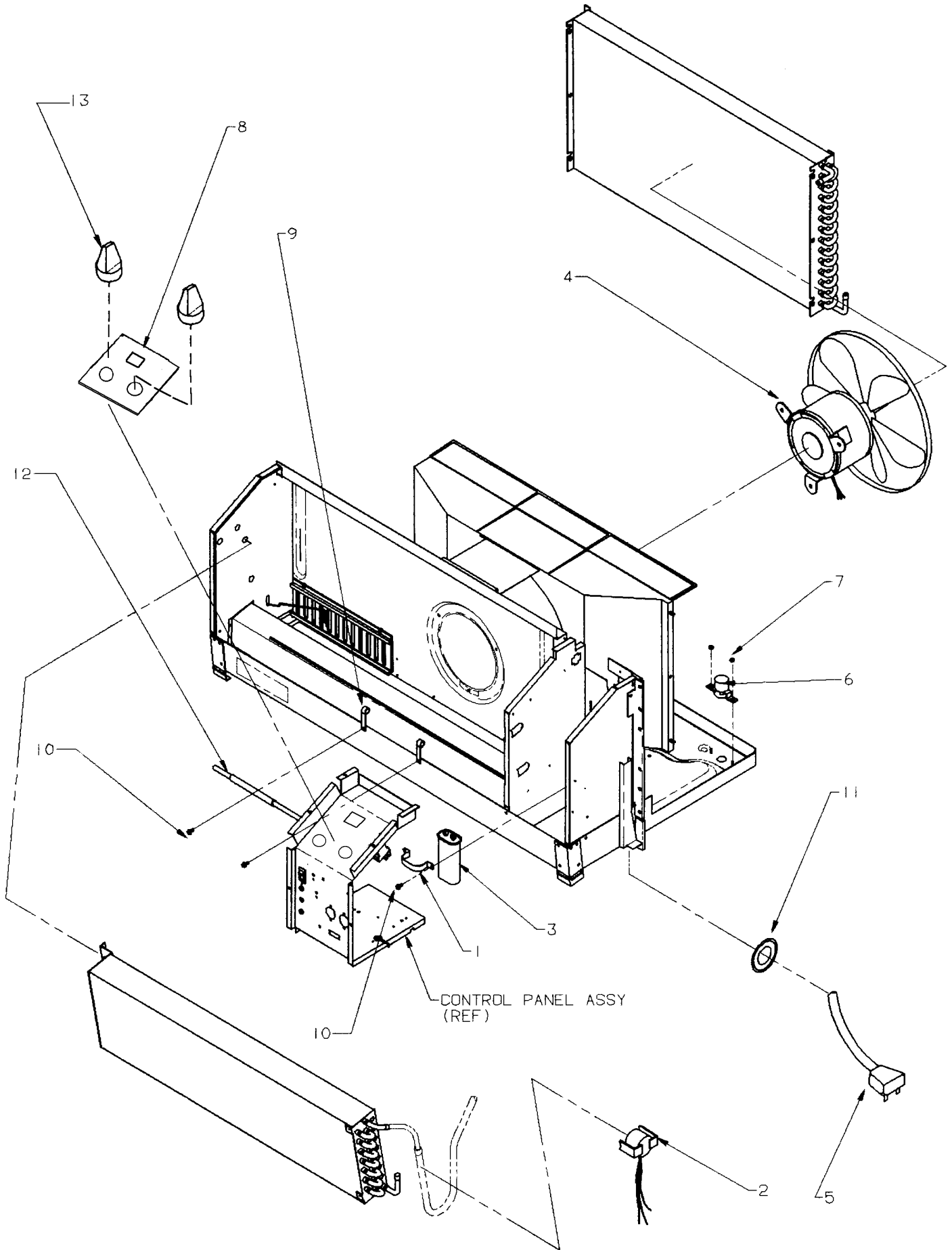
REAR VIEW

PARTS LIST

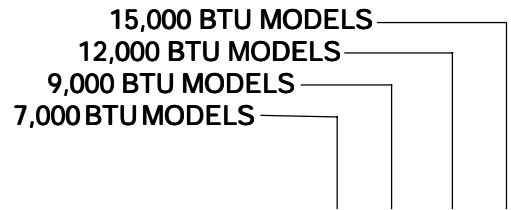


REF. NO.	PART NUMBER	DESCRIPTION				
01	10839715	GASKET	AR	AR	AR	AR
*02	10839807	GASKET-SEALING	AR	AR	AR	AR
03	M0211216	SCREW-SM	13	13	13	13
04	M0288115	NUT-SPEED	2	2	2	2
05	M0227803	SCREW-TC	2	2	2	2
06	10839711	GASKET	AR	AR	AR	AR
07	C6494804	COVER-PPEXIT (EXCEPT SEACOAST MDLS)	1	1	1	1
*07	C6494805	PPEXIT COVER-TECUMSEH (SEACOAST MDLS ONLY)	-	1	1	1
08	M0118702	CLIP-GUIDE	2	2	2	2
09	M0211217	SCREW-SM	2	2	2	2

MISCELLANEOUS CHASSIS ASSEMBLY PARTS



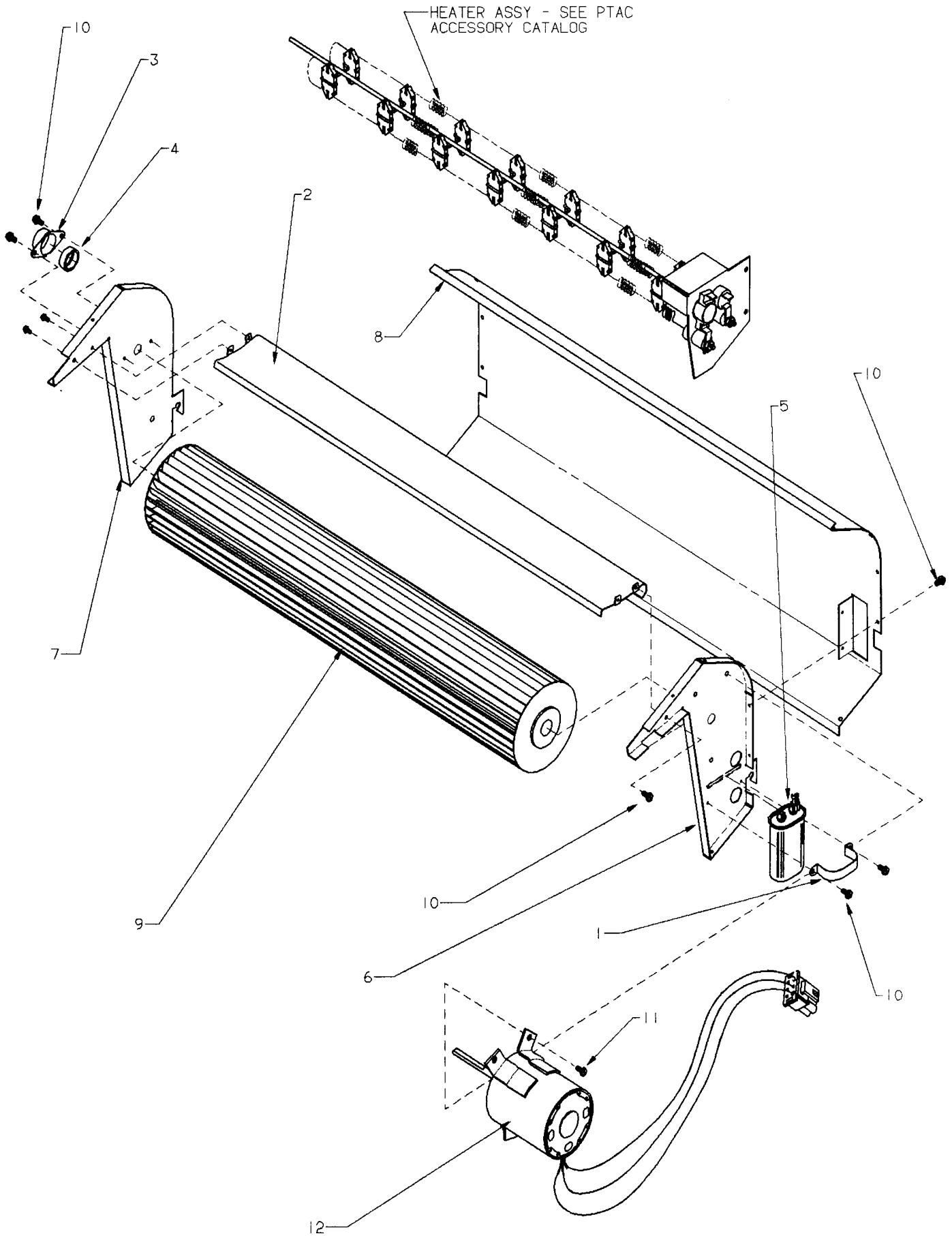
PARTS LIST



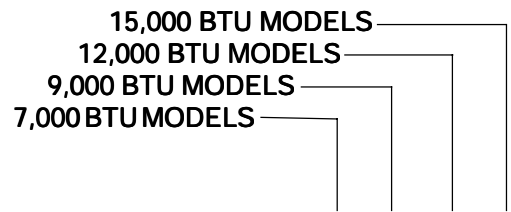
REF. NO.	PART NUMBER	DESCRIPTION	7,000 BTU MODELS	9,000 BTU MODELS	12,000 BTU MODELS	15,000 BTU MODELS
01	C6300502	STRAP-CAPACITOR (EXCEPT 12,000 & 15,000 BTU, 265V MDLS)	1	1	1	1
01	C6300503	STRAP-CAPACITOR (265V MDLS ONLY)	-	-	1	1
02	10718901	THERMOSTAT-FLOOD BACK (230/208V & 265V MDLS)	1	1	-	-
02	10718902	THERMOSTAT-FLOOD BACK (230/208V & 265V MDLS)	-	-	1	1
03	D6879827	CAPACITOR-30/4 mfd, 370V (USED WITH COMP PANASONIC 2K17C3R235A & PANASONIC 2P17S3R236A)	-	1	1	-
03	D6879828	CAPACITOR-30/4 mfd, 440V (USED WITH COMP PANASONIC 2K22S3R276A)	-	-	-	1
03	D6879829	CAPACITOR-35/4 mfd, 370V (USED WITH COMP PANASONIC 2K22S3R236A)	-	-	-	1
03	D6879833	CAPACITOR-15/3 mfd, 370V (USED WITH COMP PANASONIC 2R10S3R236A, TS PH68X1-3BU1 & TS PRH68XCA43)	1	-	-	-
03	D6879834	CAPACITOR-15/2 mfd, 440V (USED WITH COMP PANASONIC-2R10S3R276A)	1	-	-	-
03	D6879835	CAPACITOR-25/3 mfd, 370V (USED WITH COMP TECUMSEH-RK124ET)	-	1	-	-
*03	D6879836	CAPACITOR-25/4 mfd, 370V (USED WITH COMP TECUMSEH-RK5512E)	-	-	1	-
*03	D6879837	CAPACITOR-30/3 mfd, 370V (USED WITH COMP PANASONIC-2P14S3R236A)	-	1	-	-
*03	D6879838	CAPACITOR-25/2 mfd, 440V (USED WITH COMP PANASONIC-2P14S3R276A)	-	1	-	-
*03	D6879839	CAPACITOR-25/4 mfd, 440V (USED WITH COMP PANASONIC-2P17S3R276A)	-	-	1	-
04	10388801	MOTOR-CONDENSER (230V COOL W/ELEC HEAT & HEAT PUMP MDLS)	1	1	-	-
04	10388802	MOTOR-CONDENSER (265V COOL W/ELEC HEAT & HEAT PUMP MDLS)	1	1	-	-
04	D9843201	MOTOR-CONDENSER (230V COOL W/ELEC HEAT MDLS)	-	-	-	1
04	D9843202	MOTOR-CONDENSER (230V COOL W/ELEC HEAT & HEAT PUMP MDLS)	-	-	1	-
04	D9843203	MOTOR-CONDENSER (265V COOL W/ELEC HEAT MDLS)	-	-	-	1
04	D9843204	MOTOR-CONDENSER (265V COOL W/ELEC HEAT & HEAT PUMP MDLS)	-	-	1	-
*04	D9843206	MOTOR-CONDENSER (230V HEAT PUMP MDLS)	-	-	-	1
*04	D9843207	MOTOR-CONDENSER (265V HEAT PUMP MDLS)	-	-	-	1
05	**	POWERCORD - SEE SERVICERS' NOTE BELOW	1	1	1	1
06	A3080003	PLUG-BUTTON (COOL W/ELEC HEAT MDLS)	1	1	1	1
06	B1323501	VALVE-DRAIN PAN(HEAT PUMP MDLS, EXCEPT MDLS W/CONDENSATE DISPOSAL PUMP)	1	1	1	1
07	M0282015	NUT-KEPS (HEAT PUMP MDLS ONLY)	2	2	2	2
*08	10647701	ESCUTCHEON-CONTROL (STANDARD MDLS)	1	1	1	1
08	10647703	ESCUTCHEON-CONTROL ("T" MDLS-FACTORY INSTALLED REMOTE CONTROL KIT)	1	1	1	-
*08	10647702	ESCUTCHEON-CONTROL ("R" MDLS-REMOTE CONTROL MDLS)	1	1	1	1
09	M0102328	CLAMP-TUBE	2	2	2	2
10	M0211216	SCREW-SM	4	4	4	4
11	M0371302	RELIEF-STRAIN	1	1	1	1
12	M0321040	SLEEVE-VINYL	1	1	1	1
*13	10591702	KNOB-CONTROL	2	2	2	2

****SERVICER PLEASE NOTE: SEE ACCESSORY CATALOG FOR APPROPRIATE VOLT AND AMP POWER CORD REPLACEMENTS**

BLOWER ASSEMBLY



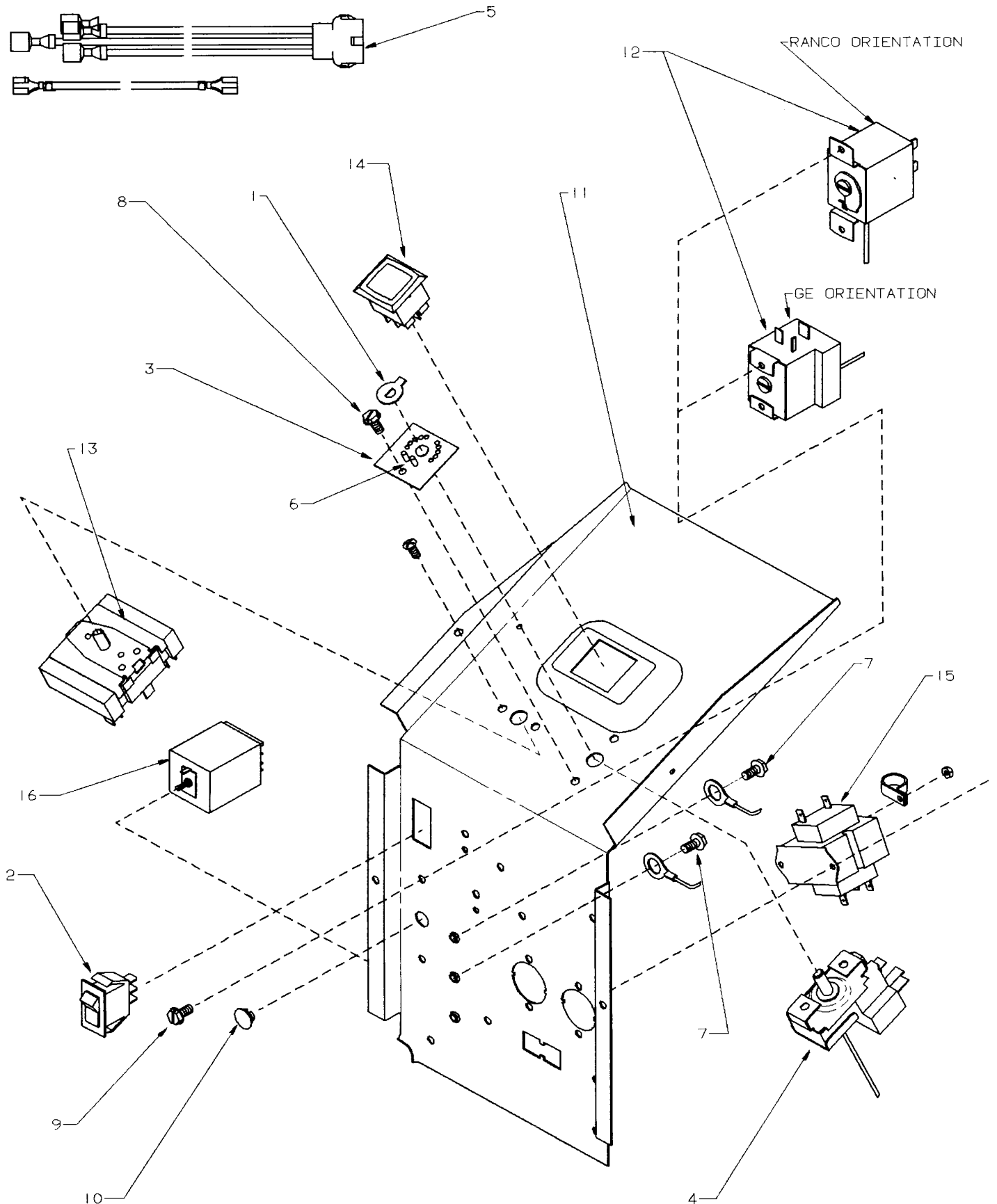
PARTS LIST



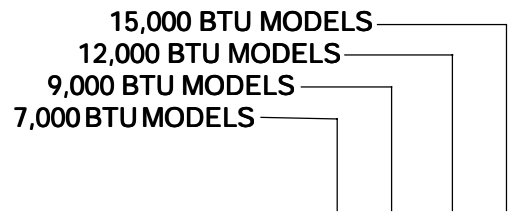
REF. NO.	PART NUMBER	DESCRIPTION	15,000 BTU MODELS	12,000 BTU MODELS	9,000 BTU MODELS	7,000 BTU MODELS
01	A4055402	STRAP-CAPACITOR	1	1	1	1
02	B1433401	DEFLECTOR-AIR	1	1	1	1
03	B1434601	CAP-BEARING	1	1	1	1
04	B1434701	GROMMET-BEARING	1	1	1	1
05	D6905402	CAPACITOR-BLOWER MOTOR, 208/230V, 4mfd	-	-	1	1
05	D6905403	CAPACITOR-BLOWER MOTOR, 208/230V & 265V, 3mfd	1	1	-	-
06	D9813801	PANEL-BLOWERSCROLL	1	1	1	1
07	D9813802	PANEL-BLOWERSCROLL	1	1	1	1
08	D9814402	SCROLL-BLOWER	1	1	1	1
09	D9821501	WHEEL-BLOWER (INCLUDES BEARINGS)	1	1	1	1
10	M0211216	SCREW-SM	AR	AR	AR	AR
11	M0253555	SCREW-TR	3	3	3	3
12	10292801	MOTOR-EVAP (208/230V MDLS)	-	-	1	1
12	10292802	MOTOR-EVAP (208/230V MDLS)	1	1	-	-
12	10292803	MOTOR-EVAP (265V MDLS)	-	-	1	1
12	10292804	MOTOR-EVAP (265V MDLS)	1	1	-	-

SERVICER PLEASE NOTE: FOR ELECTRIC HEATER ASSEMBLY REPLACEMENT PARTS, REFER TO PTAC ACCESSORY CATALOG

STANDARD MODELS & MODELS WITH FACTORY INSTALLED REMOTE CONTROL KITS ELECTRICAL CONTROLS & RELATED PARTS

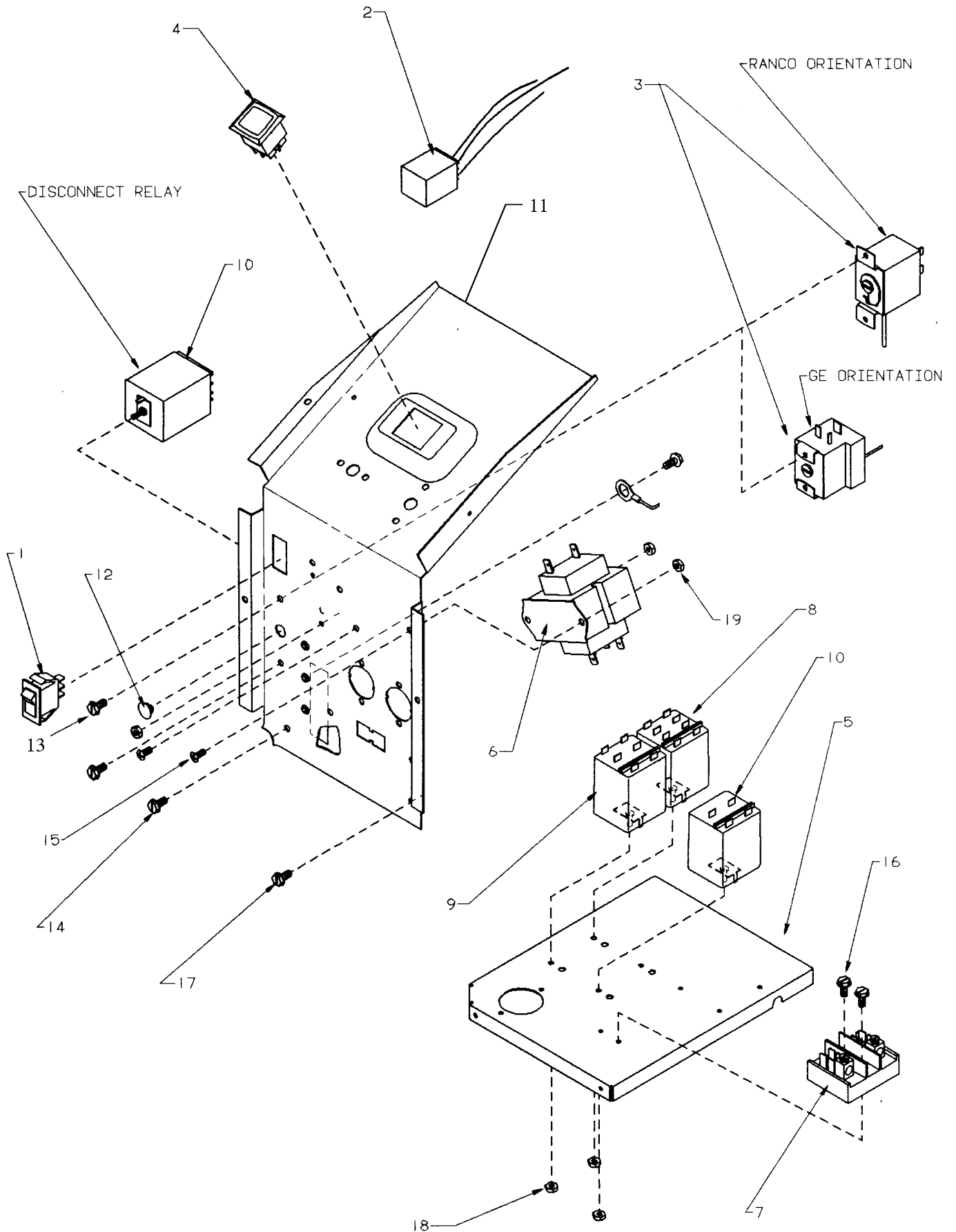


PARTS LIST

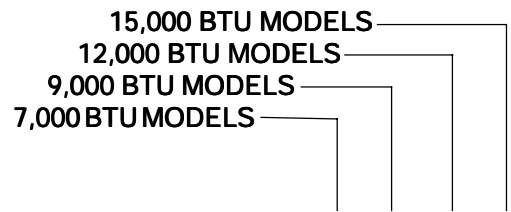


REF. NO.	PART NUMBER	DESCRIPTION	15,000 BTU MODELS	12,000 BTU MODELS	9,000 BTU MODELS	7,000 BTU MODELS
01	A3492801	POINTER (STANDARD MDLS ONLY)	1	1	1	1
02	B1337701	SWITCH-PADDLE	1	1	1	1
03	B1418402	BRACKET-TEMPERATURE LIMITER (STANDARD MDLS ONLY)	1	1	1	1
04	C6492601	THERMOSTAT	1	1	1	1
*05	10635102	HARNESS-CONTROL PANEL	1	1	1	1
06	M0010217	RIVET (STANDARD MDLS ONLY)	2	2	2	2
07	M0227804	SCREW-TC	3	3	3	3
08	M0232012	SCREW-TC	2	2	2	2
09	M0255014	SCREW-SEMS (HEAT PUMP MDLS ONLY)	2	2	2	2
10	M0310011	PLUG-TAN BUTTON (COOL W/ELEC HEAT MDLS ONLY)	1	1	1	1
*11	10591901	PANEL-CONTROL TOP	1	1	1	1
12	C6396601	THERMOSTAT-EMER (HEAT PUMP MDLS ONLY)	-	1	1	1
12	C6396602	THERMOSTAT-EMER (HEAT PUMP MDLS ONLY)	1	-	-	-
*13	10634801	SWITCH-ROTARY	1	1	1	1
*14	10634301	SWITCH-ROCKER	1	1	1	1
15	B1397902	TRANSFORMER ("T" MDLS-FACTORY INSTALLED REMOTE CONTROL KIT)	-	1	1	-
15	B1397901	TRANSFORMER ("T" MDLS-FACTORY INSTALLED REMOTE CONTROL KIT)	1	-	-	-
16	C8873918	RELAY ("T" MDLS-FACTORY INSTALLED REMOTE CONTROL KIT)	1	1	1	-

REMOTE CONTROL MODELS ELECTRICAL CONTROLS & RELATED PARTS

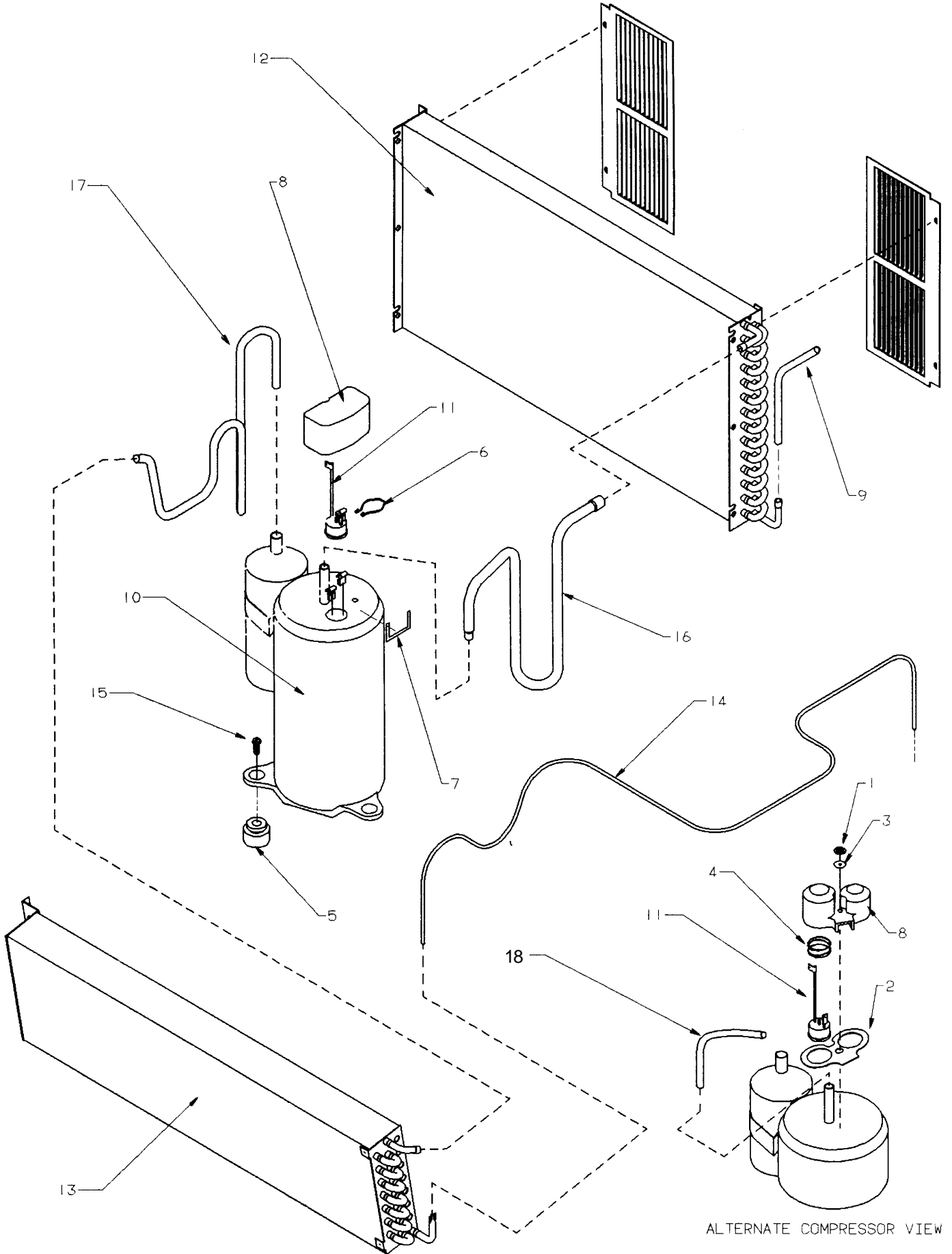


PARTS LIST



REF. NO.	PART NUMBER	DESCRIPTION	15,000 BTU MODELS	12,000 BTU MODELS	9,000 BTU MODELS	7,000 BTU MODELS
01	B1337701	SWITCH-PADDLE	1	1	1	1
*02	10635101	HARNESS-CONTROL PANEL	1	1	1	1
03	C6396601	THERMOSTAT-EMERGENCY (HEAT PUMP MDLS ONLY)	-	1	1	1
04	10634301	SWITCH-ROCKER	1	1	1	1
*05	10593001	CONTROL PANEL-BOTTOM	1	1	1	1
06	B1378501	TRANSFORMER (230/208V)	1	1	1	1
06	C6365703	TRANSFORMER (265V)	-	-	1	1
07	C6288401	BLOCK-TERMINAL	1	1	1	1
08	C8873914	RELAY	1	1	1	1
08	C8873916	RELAY (265V FREEZE PROTECTED MDLS)	-	-	2	-
09	C8873918	RELAY	1	1	1	1
09	C8873917	RELAY (265V FREEZE PROTECTED MDLS)	-	-	1	-
10	C8873906	RELAY (230/208V MDLS)	2	2	2	2
10	C8873906	RELAY (265V MDLS)	-	-	1	1
10	C8873919	RELAY (CONDENSATE DISPOSAL PUMP MDLS)	-	1	-	-
11	10591901	PANEL-CONTROL TOP	1	1	1	1
12	M0310011	PLUG-TAN BUTTON (COOL W/ELEC HEAT MDLS ONLY)	1	1	1	1
13	M0255014	SCREW-SEMS (HEAT PUMP MDLS ONLY)	2	2	2	2
14	M0232001	SCREW-TC	2	2	2	2
15	M0200316	SCREW-MACH	2	2	2	2
16	M0211020	SCREW-TC	2	2	2	2
17	M0211216	SCREW-SM	2	2	2	2
18	M0282005	NUT-KEPS	3	3	3	3
19	M0227803	SCREW-TC	1	1	1	1

STANDARD MODELS • REFRIGERATION SYSTEM

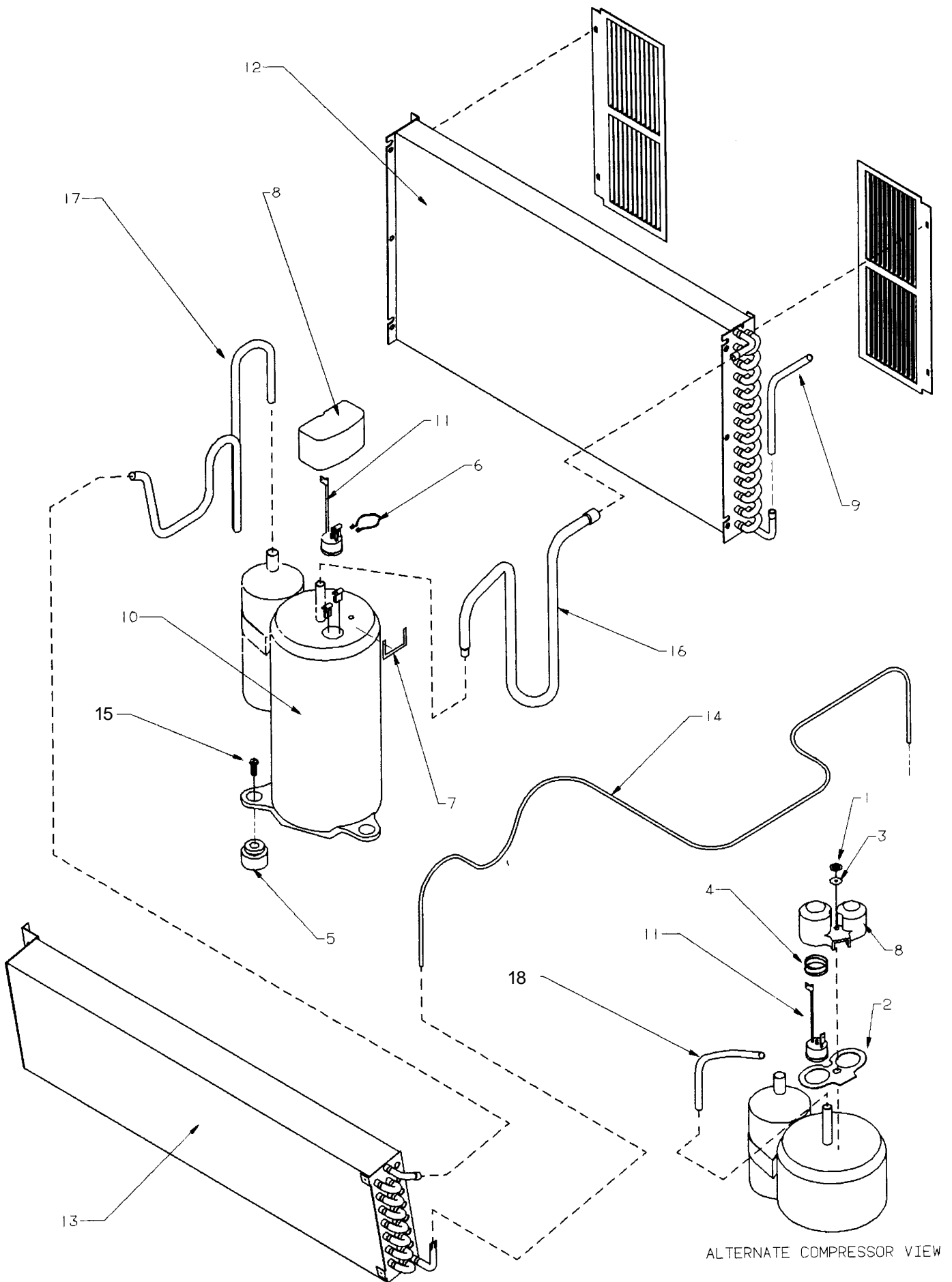


PARTS LIST

9,000 BTU MODELS
7,000 BTU MODELS

REF. NO.	PART NUMBER	DESCRIPTION		
01	A3436601	NUT-TERM COVER (USED ON PANASONIC COMP)	1	1
02	A3436701	GASKET-TERM COVER (USED ON PANASONIC COMP)	1	1
03	A3436801	GASKET-NUT (USED ON PANASONIC COMP)	1	1
04	A3436901	SPRING-OVERLOAD (USED ON PANASONIC COMP)	1	1
05	A3448601	GROMMET	-	3
05	A4622801	GROMMET	3	-
06	A3468301	CLIP-OVERLOAD (USED ON TOSHIBA COMP)	1	-
07	A3468401	BUSHING-WIRE (USED ON TOSHIBA COMP)	1	-
08	10329001	COVER-TERM (USED ON PANASONIC COMP)	1	1
08	B1418301	COVER-TERM (USED ON TOSHIBA COMP)	1	-
08	C6470701	COVER-TERM (USED ON TECUMSEH COMP)	-	1
09	B1394401	STRAINER (COOL W/ELECTRIC HEAT MDLS ONLY)	1	1
10	D6887709	COMPRESSOR-PANASONIC 2R10S3R236A, 230/208V	1	-
10	D6887710	COMPRESSOR-PANASONIC 2R10S3R276A, 265V	1	-
10	D9871711	COMPRESSOR-PROTECTED, 230/208V (SEACOAST MDLS)	1	-
*10	D6985808	COMPRESSOR-PANASONIC 2P14S3R236A, 230/208V	-	1
*10	D6985809	COMPRESSOR-PANASONIC 2P14S3R276A, 265V	-	1
*10	D9831806	COMPRESSOR-TECUMSEH RK124ET, 230/208V	-	1
*10	D9871714	COMPRESSOR-PROTECTED, 230/208V (SEACOAST MDLS)	-	1
10	D9871718	COMPRESSOR-PROTECTED, 230/208V (HEAT PUMP SEACOAST MDLS)	-	1
*10	D9940212	COMPRESSOR-TOSHIBA PH68X1-3BU1, 230/208V	1	-
11	D6961619	OVERLOAD, 230/208V (USED ON TOSHIBA PH68X1-3BU1)	1	-
11	D6961636	OVERLOAD, 230/208V (USED ON PANASONIC 2R10S3R236A)	1	-
11	D6961637	OVERLOAD, 265V (USED ON PANASONIC 2R10S3R276A)	1	-
*11	D6961641	OVERLOAD, 230/208V (USED ON PANASONIC 2P14S3R236A)	-	1
*11	D6961642	OVERLOAD, 265V (USED ON PANASONIC 2P14S3R276A)	-	1
*11	D6961644	OVERLOAD, 230/208V (USED ON TECUMSEH RK124ET)	-	1
12	D9664902	CONDENSER ASSY (COOL W/ELECTRIC HEAT & HEAT PUMP MDLS)	1	-
12	D9865002	CONDENSER ASSY (COOL W/ELECTRIC HEAT MDLS)	-	1
12	D9871901	CONDENSER ASSY-PNT (SEACOAST MDLS)	-	1
*13	D9668603	EVAPORATOR ASSY	1	-
13	D9670604	EVAPORATOR ASSY (COOL W/ELECTRIC HEAT MDLS)	-	1
14	10330301	TUBE-CAPILLARY (USED WITH PANASONIC 2R10S3R236A)	1	-
14	10330302	TUBE-CAPILLARY (USED WITH PANASONIC 2R10S3R276A)	1	-
14	10401001	TUBE-CAPILLARY (USED WITH TOSHIBA PH68X1-B3U1)	1	-
*14	10629801	TUBE-CAPILLARY (USED WITH TECUMSEH RK124ET)	-	1
*14	10629802	TUBE-CAPILLARY (USED WITH PANASONIC 2P14S3R236A & 276A)	-	1
15	M0253651	SCREW-SHOULDER	-	3
15	M0253665	SCREW-SHOULDER	3	-
16	10330401	TUBE-DISCHARGE (USED WITH PANASONIC 2R10S3R236A & 276A)	1	-
16	10455401	TUBE-DISCHARGE (USED WITH PANASONIC 2P14S3R236A & 276A)	-	1
*16	10629901	TUBE-DISCHARGE (USED WITH TECUMSEH RK124ET)	-	1
16	D9864401	TUBE-DISCHARGE (USED WITH TOSHIBA PH68X1-3BU1)	1	-
*17	10593301	SUCTION TUBE WELD (USED WITH TECUMSEH RK124ET)	-	1
*17	10478601	SUCTION TUBE WELD (USED WITH PANASONIC 2R10S3R236A & 276A)	1	-
*17	10812301	SUCTION TUBE WELD (USED WITH PANASONIC 2P14S3R236A & 276A)	-	1
*17	D9985803	SUCTION TUBE WELD (USED WITH TOSHIBA PH68X1-3BU1)	1	-
18	10004601	TUBE-ELBOW	1	1

STANDARD MODELS • REFRIGERATION SYSTEM



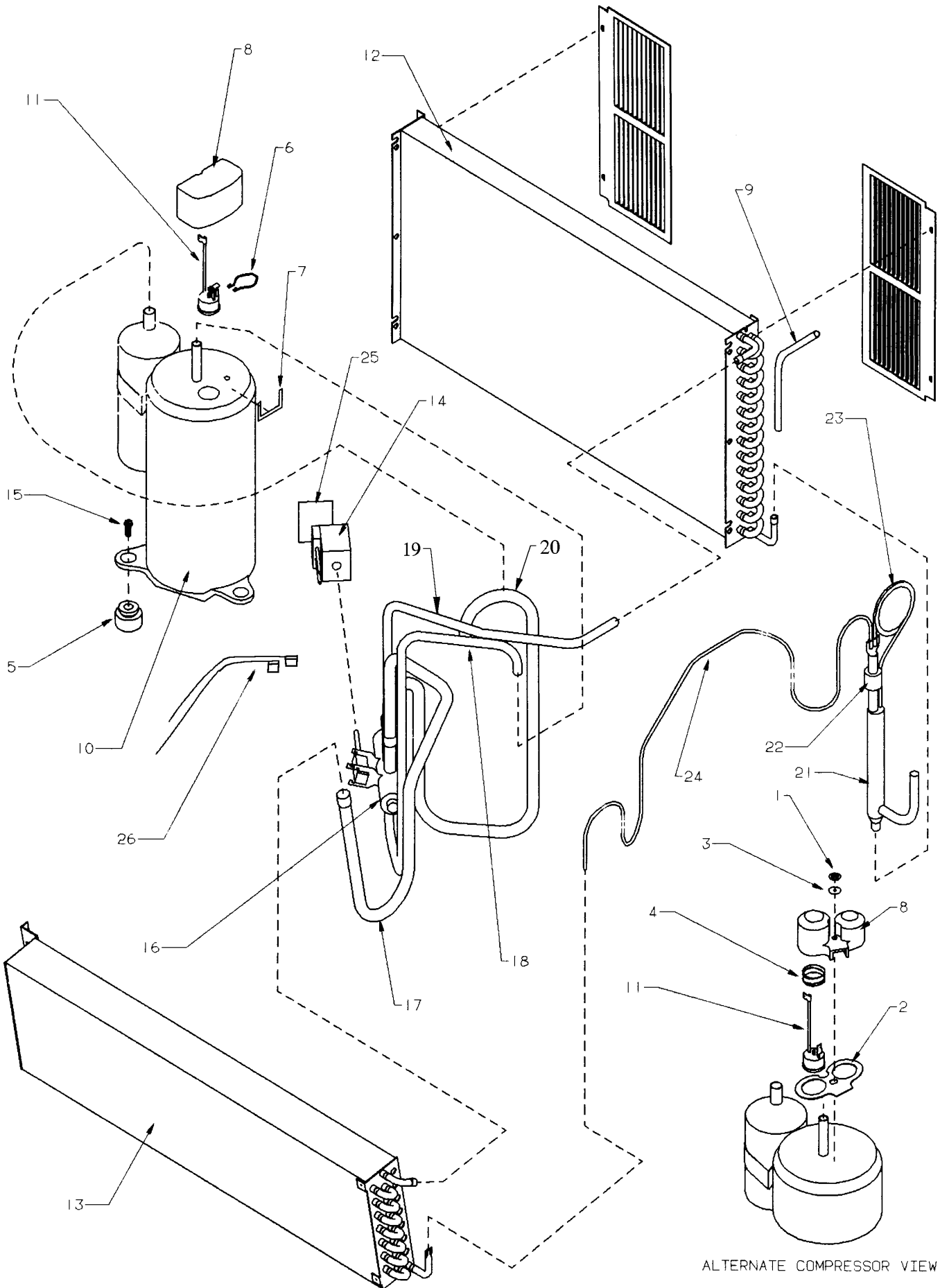
ALTERNATE COMPRESSOR VIEW

PARTS LIST

15,000 BTU MODELS
12,000 BTU MODELS

REF. NO.	PART NUMBER	DESCRIPTION		
01	A3436601	NUT-TERMCOVER (USED ON PANASONIC COMP)	1	1
02	A3436701	GASKET-TERMCOVER (USED ON PANASONIC COMP)	1	1
03	A3436801	GASKET-NUT (USED ON PANASONIC COMP)	1	1
04	A3436901	SPRING-OVERLOAD (USED ON PANASONIC COMP)	1	1
05	A3448601	GROMMET	3	3
06	M0253651	SCREW-SHOULDER	3	3
*07	10477801	SUCTION TUBE WELD (USED WITH PANASONIC 2K22S3R236A & 2P17S3R236A)	1	1
*07	10666201	SUCTION TUBE WELD (USED WITH TECUMSEH RK5512E)	1	-
08	10329001	COVER-TERM (USED ON PANASONIC COMP)	1	1
08	C6470701	COVER-TERM (USED ON TECUMSEH COMP)	1	-
09	B1394401	STRAINER (COOL W/ELECTRIC HEAT MDLS ONLY)	1	1
10	D6926111	COMPRESSOR-PANASONIC 2K22S3R236A, 230/208V	-	1
10	D6926112	COMPRESSOR-PANASONIC 2K22S3R276A, 265V	-	1
10	D6985807	COMPRESSOR-PANASONIC 2P17S3R236A, 230/208V	1	-
*10	D6985810	COMPRESSOR-PANASONIC 2P17S3R276A, 265V	1	-
10	D9831804	COMPRESSOR-TECUMSEH RK5512E, 230/208V	1	-
10	D9871707	COMPRESSOR-PROTECTED, 230/208V (SEACOAST MDLS)	-	1
*10	D9871715	COMPRESSOR-PROTECTED, 120/208V (SEACOAST MDLS)	1	-
11	D6961612	OVERLOAD, 230V, (USED ON PANASONIC 2P17S3R236A)	1	-
11	D6961624	OVERLOAD, 230/208V (USED ON PANASONIC 2K22S3R276A)	-	1
11	D6961627	OVERLOAD, 230/208V (USED ON PANASONIC 2K22S3R236A)	-	1
11	D6961632	OVERLOAD, 230/208V (USED ON TECUMSEH RK5512E)	1	-
*11	D6961643	OVERLOAD, 265V (USED ON PANASONIC 2P17S3R276A)	1	-
12	10049302	CONDENSER ASSY (COOL W/ELECTRIC HEAT & HEAT PUMP MDLS)	-	1
*12	10561502	CONDENSER ASSY (COOL W/ELECTRIC HEAT & HEAT PUMP MDLS)	1	-
12	D9871909	CONDENSER ASSY-PNT (SEACOAST MDLS)	-	1
*12	D9871915	CONDENSER ASSY-PNT (SEACOAST MDLS)	1	-
13	D9673105	EVAPORATOR ASSY	1	-
13	D9868404	EVAPORATOR ASSY	-	1
14	10341901	TUBE-CAPILLARY (USED WITH PANASONIC 2K22S3R236A)	-	1
*14	10631801	TUBE-CAPILLARY (USED WITH PANASONIC 2P17S3R236A & 276A AND TECUMSEH RK5512E)	1	-
15	M0253651	SCREW-SHOULDER	3	3
16	10455401	TUBE-DISCHARGE (USED WITH PANASONIC 2P14S3R236A & 276A)	1	-
*16	10455901	TUBE-DISCHARGE (USED WITH PANASONIC 2K22S3R236A & 276A)	-	1
*16	10666301	TUBE-DISCHARGE (USED WITH TECUMSEH RK5512E)	1	-
*17	10477802	SUCTION TUBE WELD (USED WITH PANASONIC 2K22S3R236A & 2P17S3R236A)	1	1
17	10666201	SUCTION TUBE WELD (USED WITH TECUMSEH R165512E0)	1	-
18	10004601	TUBE-ELBOW	-	1

HEAT PUMP MODELS • REFRIGERATION SYSTEM

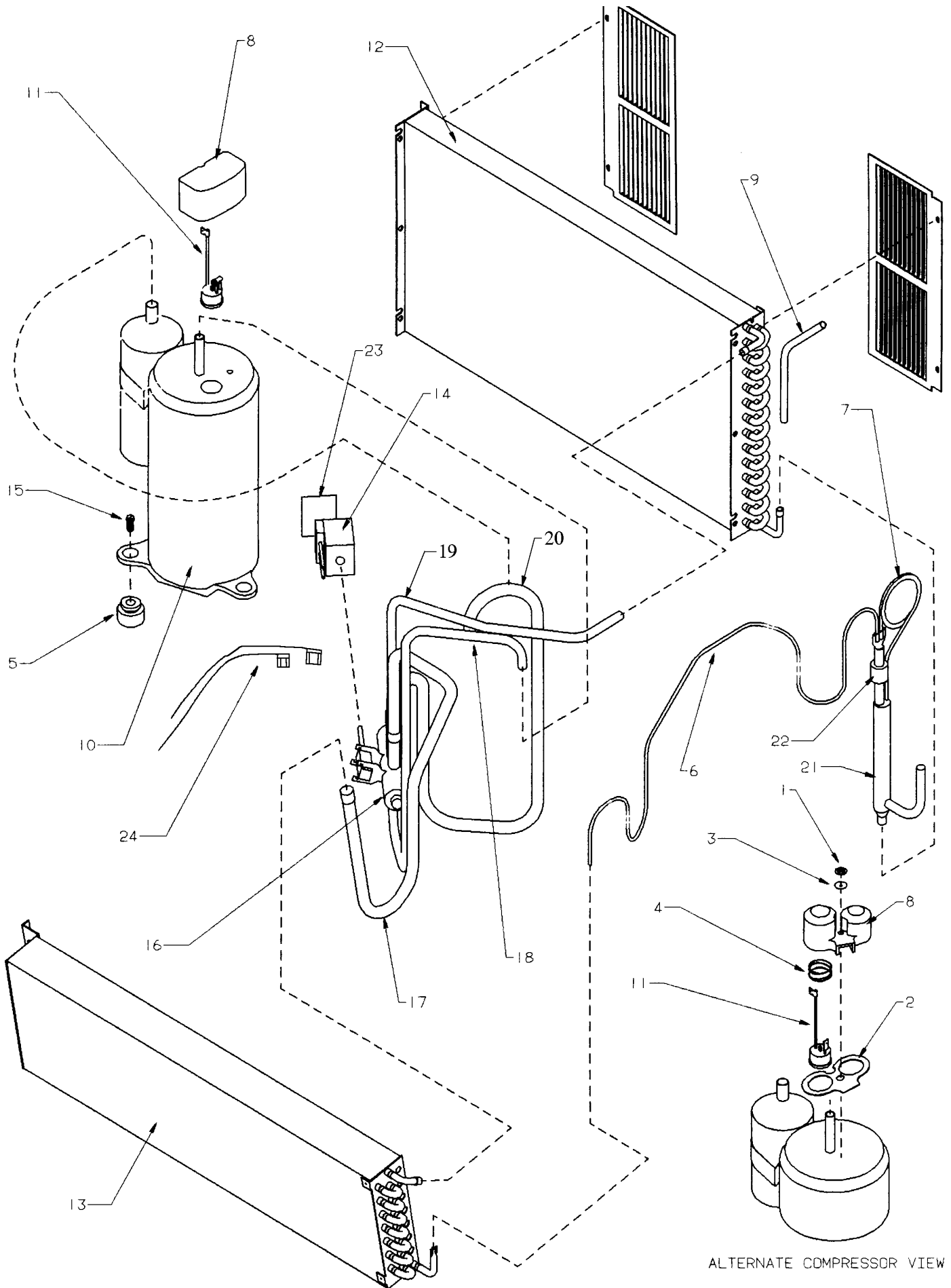


ALTERNATE COMPRESSOR VIEW

PARTS LIST

REF. NO.	PART NUMBER	DESCRIPTION	9,000 BTU MODELS	
			7,000 BTU MODELS	
01	A3436601	NUT-TERMINAL COVER (USED ON PANASONIC COMP)	1	1
02	A3436701	GASKET-TERMINAL COVER (USED ON PANASONIC COMP)	1	1
03	A3436801	GASKET-NUT (USED ON PANASONIC COMP)	1	1
04	A3436901	SPRING-OVERLOAD (USED ON PANASONIC COMP)	1	1
05	A3448601	GROMMET	-	3
05	A4622801	GROMMET	3	-
06	A3468301	CLIP-OVERLOAD (USED ON TOSHIBA COMP)	1	-
07	A3468401	BUSHING-WIRE (USED ON TOSHIBA COMP)	1	-
08	B1418301	COVER-TERMINAL (USED ON TOSHIBA COMP)	1	-
08	10329001	COVER-TERMINAL (USED ON PANASONIC COMP)	1	1
09	D9966219	TUBE-ELBOW	1	1
10	D6887709	COMPRESSOR-PANASONIC 2R10S3R236A, 230/208V	1	-
10	D6887710	COMPRESSOR-PANASONIC 2R10S3R276A, 265V	1	-
10	D6926108	COMPRESSOR-PANASONIC 2K17C3R235A, 230V, 50HZ	-	1
10	D6985807	COMPRESSOR-PANASONIC 2P17S3R236A, 230/208V	-	1
10	D6985808	COMPRESSOR-PANASONIC 2P14S3R236A, 230/208V	-	1
*10	D6985809	COMPRESSOR-PANASONIC 2P14S3R276A, 265V	-	1
*10	D9831806	COMPRESSOR-TECUMSEHRK124ET, 230/208V	-	1
10	D9940209	COMPRESSOR-TOSHIBA PRH68XA43	1	-
11	D4976667	OVERLOAD, 230V, 50HZ (USED ON PANASONIC 2K17C3R235A)	-	1
11	D6961614	OVERLOAD, 230/208V (USED ON TOSHIBA PRH68XA43)	1	-
11	D6961636	OVERLOAD, 230/208V (USED ON PANASONIC 2R10S3R236A)	1	-
11	D6961637	OVERLOAD, 265V (USED ON PANASONIC 2R10S3R276A)	1	-
*11	D6961641	OVERLOAD, 230/208V (USED ON PANASONIC 2P14S3R236A)	-	1
*11	D6961642	OVERLOAD, 265V (USED ON PANASONIC 2P14S3R276A)	-	1
*11	D6961644	OVERLOAD, 230/208V (USED ON TECUMSEHRK124ET)	-	1
12	10076902	CONDENSER ASSY	-	1
12	D9664902	CONDENSER ASSY	1	-
*12	D9871915	CONDENSER ASSY-PNT (USED ON SEACOAST MDLS ONLY)	-	1
13	10077503	EVAPORATOR ASSY	-	1
13	D9668603	EVAPORATOR ASSY	1	-
14	B1150406	SOLENOID-COIL, 230/208V (USED ON MDLS PRIOR TO S/N'S 9308)	1	1
14	B1150407	SOLENOID-COIL, 265V (USED ON MDLS PRIOR TO S/N'S 9308)	1	1
14	10702202	SOLENOID-COIL, 230/208V (STANDARD MDLS) (MDLS WITH S/N'S 9308 AND LATER)	1	1
14	10702203	SOLENOID-COIL, 265V (STANDARD MDLS) (MDLS WITH S/N'S 9308 AND LATER)	1	1
14	10702201	SOLENOID-COIL, 24V (REMOTE CONTROL MDLS) (MDLS WITH S/N'S 9308 AND LATER)	1	1
15	M0253651	SCREW-SHLDR	-	3
15	M0253665	SCREW-SHLDR	3	-
16	D9834701	VALVE-REVERSING (USED ON MDLS PRIOR TO S/N'S 9308)	1	1
16	10702101	VALVE-REVERSING (MDLS WITH S/N'S 9308 AND LATER)	1	1
17	10047501	TUBE-EVAPORATOR	1	-
17	10630301	TUBE-EVAPORATOR (EXCEPT 50HZ MDLS)	-	1
18	10386701	TUBE-DISCHARGE (USED WITH PANASONIC 2R10S3R236A & 276A)	1	-
18	10630501	TUBE-DISCHARGE (USED WITH PANASONIC 2P14S3R236A & 237A)	-	1
*18	10629901	TUBE-DISCHARGE (USED WITH TECUMSEHRK124ET)	-	1
18	D9898001	TUBE-DISCHARGE (USED WITH TOSHIBA PRH68XA43)	1	-
19	10047401	TUBE-CONDENSER	1	-
20	10388001	SUCTION TUBE WELD (USED WITH PANASONIC 2R10S3R236A & 276A)	1	-
*20	10632101	SUCTION TUBE WELD (USED WITH PANASONIC 2P14S3R236A & 276A)	-	1
*20	10593301	SUCTION TUBE WELD (USED WITH TECUMSEHRK124ET)	-	1
20	D9985604	SUCTION TUBE WELD (USED WITH TOSHIBA PRH68XA43)	1	-
21	B1257807	STRAINER	1	1
22	C6469901	VALVE-CHECK	1	1
23	10134301	TUBE-CAPILLARY (USED WITH PANASONIC 2K17C3R235A)	-	1
23	10386801	TUBE-CAPILLARY (USED WITH PANASONIC 2R10S3R236A & 276A)	1	-
23	10387501	TUBE-CAPILLARY (USED WITH TOSHIBA PRH68XA43)	1	-
*23	10630101	TUBE-CAPILLARY (USED WITH PANASONIC 2P14S3R236A)	-	1
*23	10630701	TUBE-CAPILLARY (USED WITH PANASONIC 2P14S3R276A)	-	1
*23	10629801	TUBE-CAPILLARY (USED WITH TECUMSEHRK124ET)	-	1
24	10077601	TUBE-CAPILLARY, EVAP SIDE (USED WITH PANASONIC 2K17C3R235A)	-	1
24	10387201	TUBE-CAPILLARY, EVAP SIDE (USED WITH PANASONIC 2R10S3R236A & 276A)	1	-
24	10387601	TUBE-CAPILLARY, EVAP SIDE (USED WITH TOSHIBA PRH68XA43)	1	-
*24	10630001	TUBE-CAPILLARY, EVAP SIDE (USED WITH TOSHIBA 2P14S3R236A)	-	1
*24	10630601	TUBE-CAPILLARY, EVAP SIDE (USED WITH TOSHIBA 2P14S3R276A)	-	1
*24	10630801	TUBE-CAPILLARY, EVAP SIDE (USED WITH TECUMSEHRK124ET)	-	1
25	10702301	COVER-SOLENOID COIL (MDLS WITH S/N'S 9308 AND LATER)	1	1
26	10685003	HARNESS-SOLENOID COIL (MDLS WITH S/N'S 9308 AND LATER)	1	1
NS	10702401	LOCK NUT-SOLENOID COIL (MDLS WITH S/N'S 9308 AND LATER)	1	1

HEAT PUMP MODELS • REFRIGERATION SYSTEM



ALTERNATE COMPRESSOR VIEW

PARTS LIST

15,000 BTU MODELS
12,000 BTU MODELS

REF. NO.	PART NUMBER	DESCRIPTION		
01	A3436601	NUT-TERMINAL COVER (USED ON PANASONIC COMP)	1	1
02	A3436701	GASKET-TERMINAL COVER (USED ON PANASONIC COMP)	1	1
03	A3436801	GASKET-NUT (USED ON PANASONIC COMP)	1	1
04	A3436901	SPRING-OVERLOAD (USED ON PANASONIC COMP)	1	1
05	A3448601	GROMMET	3	3
*06	10345201	TUBE-CAPILLARY, EVAP SIDE (USED WITH PANASONIC 2K22S3R236A & 276A)	-	1
*06	10562101	TUBE-CAPILLARY, EVAP SIDE	1	-
*07	10631301	TUBE-CAPILLARY (USED WITH PANASONIC 2P17S3R236A)	1	-
*07	10631302	TUBE-CAPILLARY (USED WITH PANASONIC 2P17S3R276A)	1	-
*07	10666701	TUBE-CAPILLARY (USED WITH TECUMSEHRK5512E)	1	-
07	10756402	TUBE-CAPILLARY (USED WITH PANASONIC 2P17S3R276A, WITH MFG #P1169314R)	1	-
07	C6494401	TUBE-CAPILLARY (USED WITH PANASONIC 2K22S3R236A)	-	1
08	C6470701	COVER-TERMINAL (USED ON TOSHIBA COMP)	1	-
08	10329001	COVER-TERMINAL (USED ON PANASONIC COMP)	1	1
09	D9966219	TUBE-ELBOW	1	1
10	D6926111	COMPRESSOR-PANASONIC 2K22S3R236A, 230/208V	-	1
10	D6926112	COMPRESSOR-PANASONIC 2K22S3R276A, 265V	-	1
*10	D6985810	COMPRESSOR-PANASONIC 2P17S3R276A, 265V	1	-
10	D9831804	COMPRESSOR-TECUMSEHRK5512E, 230/208V	1	-
*10	D9871715	COMPRESSOR-PROTECTED, 230/208V (SEACOAST MDLS)	1	-
11	D6961612	OVERLOAD, 230V, (USED ON PANASONIC 2P17S3R236A)	1	-
11	D6961624	OVERLOAD, 230/208V (USED ON PANASONIC 2K22S3R276A)	-	1
11	D6961627	OVERLOAD, 230/208V (USED ON PANASONIC 2K22S3R236A)	-	1
11	D6961632	OVERLOAD, 230/208V (USED ON TECUMSEHRK5512E)	1	-
*11	D6961643	OVERLOAD, 265V (USED ON PANASONIC 2P17S3R276A)	1	-
*12	10049302	CONDENSER ASSY	-	1
*12	10561502	CONDENSER ASSY	1	-
13	D9673105	EVAPORATOR ASSY	1	-
13	D9868404	EVAPORATOR ASSY	-	1
14	B1150406	SOLENOID-COIL, 230/208V (USED ON MDLS PRIOR TO S/N'S 9308)	1	1
14	B1150407	SOLENOID-COIL, 265V (USED ON MDLS PRIOR TO S/N'S 9308)	1	1
14	10702202	SOLENOID-COIL, 230/208V	1	1
14	10702203	SOLENOID-COIL, 265V	1	1
14	10702201	SOLENOID-COIL, 230/208V & 265V (REMOTE CONTROL MDLS)	1	1
15	M0253651	SCREW-SHLDR	3	3
16	D9834701	VALVE-REVERSING (USED ON MDLS PRIOR TO S/N'S 9308)	1	1
16	10702101	VALVE-REVERSING (MDLS WITH S/N'S 9308 AND LATER)	1	1
*17	10631501	TUBE-EVAPORATOR	1	1
*18	10512201	TUBE-DISCHARGE (USED WITH PANASONIC 2K22S3R236A & 276A)	-	1
18	10708701	TUBE-DISCHARGE (USED WITH PANASONIC 2K22S3R236A)	-	1
*18	10631701	TUBE-DISCHARGE (USED WITH PANASONIC 2P17S3R236A & 276A)	1	-
*18	10631702	TUBE-DISCHARGE (USED WITH TECUMSEHRK5512E)	1	-
19	10630201	TUBE-CONDENSER	-	1
*19	10631401	TUBE-CONDENSER	1	-
*20	10633401	SUCTION TUBE WELD (USED WITH PANASONIC 2P17S3R236A & 276A)	1	-
*20	10633401	SUCTION TUBE WELD (USED WITH TECUMSEHRK5512E)	1	-
20	D9985605	SUCTION TUBE WELD (USED WITH PANASONIC 2K22S3R236A & 276A)	-	1
20	10718801	SUCTION TUBE WELD (USED WITH PANASONIC 2K22S3R236A)	-	1
20	10592601	SUCTION TUBE WELD (USED WITH TECUMSEHRK5512E)	1	-
21	B1257807	STRAINER	1	1
22	C6469901	VALVE-CHECK	1	1
23	10702301	COVER-SOLENOID COIL (USED ON MDLS WITH S/N'S 9308 AND LATER)	1	1
24	10685003	HARNNESS-SOLENOID COIL (USED ON MDLS WITH S/N'S 9308 AND LATER)	1	1
NS	10702401	LOCK NUT-SOLENOID COIL (USED ON MDLS WITH S/N'S 9308 AND LATER)	1	1