

Welded Compressors Wholesaler Product Guide



C



A



R

Copeland[®]
brand products

Table of Contents

	Page
Quick Reference	
Copeland® Brand to Copeland® Brand	1
Tecumseh to Copeland® Brand	8
Bristol to Copeland® Brand	12
Americold to Copeland® Brand	17
Aspera to Copeland® Brand	18
Carrier to Copeland® Brand	19
Chrysler Airtemp to Copeland® Brand	19
Lennox to Copeland® Brand	20
Maneurop to Copeland® Brand	20
Trane to Copeland® Brand	21
Bill of Material Description	
“A”, “R”, “C” Compressors	24
“J” Compressors	25
Copeland® Accepted Refrigerants/Lubricants	25
Rating Points	26
General Notes	27
Application Engineering Bulletins	27
Compressor Data Notes	28
Compressor Data	30
Electrical Diagrams	152
Compressor Drawings	155
Typical Drawings	176
Electrical Components	177
Crankcase Heaters	185
Shipping Weight	186
Miscellaneous Information	187
Model Nomenclature	
Copeland® Brand	190
Tecumseh	193
Bristol	194

Copeland® Brand to Copeland® Brand Quick Reference

Copeland® Brand Model	Copeland® Brand Replacement Model	Data Page	Figure No.	Notes	Copeland® Brand Model	Copeland® Brand Replacement Model	Data Page	Figure No.	Notes
AF04C1E-SAA	AFB04C3E-SAA	30	5, 1		AFT18C1E-IAA	AFT18C1E-IAA	46	2	
AF05C1E-IAA	AFB05C3E-IAA	30	5, 1		AFT22C1E-CFV	AFT22C1E-CFV	46	4	
AF05C1E-SAA	AFB05C3E-SAA	30	5, 1		AFT22C1E-IAA	AFT22C1E-IAA	46	4	
AF07C1E-IAA	AFE07C3E-IAA	30	5, 1		AFT26C1E-CFA	AFT26C1E-CFA	46	4	
AF09C1E-IAA	AFE07C3E-IAA	30	5, 1		AFT26C1E-CFV	AFT26C1E-CFV	48	4	
AF10C2E-IAA	AFE10C3E-IAA	30	5, 1		AFT29C1E-CFA	AFT29C1E-CFA	48	4	
AF11C1E-IAA	AFE11C3E-IAA	46	5, 1		AFT29C1E-CFV	AFT29C1E-CFV	48	4	
AF12C1E-IAA	AFT12C1E-IAA	30	2		AR11K1E-CAV	ARJ11K1E-CAV	40	8	
AF13C1E-IAA	AFE13C3E-IAA	46	5, 1		AR13C1E-IAA	ARB13C3E-IAA	30	5, 1	
AF18C1E-IAA	AFT18C1E-IAA	46	2		AR13C1E-SAA	ARB13C3E-SAA	30	5, 1	
AF22C1E-CFV	AFT22C1E-CFV	46	4		AR17C1E-IAA	ARB17C3E-IAA	32	5, 1	
AF22C1E-IAA	AFT22C1E-IAA	46	4		AR17C1E-SAA	ARB17C3E-SAA	32	5, 1	
AF26C1E-CFA	AFT26C1E-CFA	46	4		AR25C1E-IAA	ARE25C3E-IAA	32	5, 1	
AF26C1E-CFV	AFT26C1E-CFV	48	4		AR25C1E-SAA	ARE25C3E-SAA	32	5, 1	
AF29C1E-CFA	AFT29C1E-CFA	48	4		AR27C1E-IAA	ARE27C3E-IAA	34	5, 1	
AF29C1E-CFV	AFT29C1E-CFV	48	4		AR27C1E-SAA	ARE27C3E-SAA	36	5, 1	9
AF31C1E-CFV	AFJ31C1E-CFV	46	8		AR37C1E-IAA	ARE37C3E-IAA	36	5, 1	
AF37C1E-CFA	No Replacement	46	8		AR37C1E-IAV	ARE37C3E-IAV	38	5, 1	
AF37C1E-CFV	AFJ37C1E-CFV	46	8		AR37C1E-SAA	ARE37C3E-SAA	38	5, 1	
AFB04C3E-SAA	AFB04C3E-SAA	30	1		AR41C1E-IAA	ARE41C3E-IAA	38	5, 1	
AFB05C3E-IAA	AFB05C3E-IAA	30	1		AR51C1E-IAA	ART51C1E-IAA	42	2	
AFB05C3E-SAA	AFB05C3E-SAA	30	1		AR51C1E-IAV	ART51C1E-IAV	42	2	
AFC1-0013-SAA	ARB10C3-SAA	32	6, 1		AR62C13-IAA	ART62C1E-IAA	42	2	
AFD1-0017-SAA	ARB13C3-SAA	32	6, 1		AR62C1E-IAV	ART62C1E-IAV	44	2	
AFE07C3E-IAA	AFE07C3E-IAA	30	1		AR64C1E-IAA	ART64C1E-IAA	44	2	
AFE1-0023-SAA	ARE25C3-SAA	32	6, 1	9	AR64C1E-IAV	ART64C1E-IAV	44	2	
AFE10C3E-IAA	AFE10C3E-IAA	30	1		AR84C1E-IAV	ARJ84C1E-IAV	40	8	
AFE11C3E-IAA	AFE11C3E-IAA	46	1		ARB10CE-SAA	ARB10C3-SAA	32	1	
AFE12C3-IAA	ARE41C3-IAA	38	1	9	ARB13C3E-IAA	ARB13C3E-IAA	30	1	
AFE12C3-SAA	ARE41C3-SAA	40	1		ARB13C3E-SAA	ARB13C3E-SAA	30	1	
ARE41C3-SAA	ARE41C3-SAA	40	1		ARB13C3-SAA	ARB13C3-SAA	32	1	
AFE13C3E-IAA	AFE13C3E-IAA	46	1		ARB17C3E-IAA	ARB17C3E-IAA	32	1	
AFF1-0025-SAA	ARE27C3-SAA	36	6, 1		ARB17C3E-SAA	ARB17C3E-SAA	32	1	
AFF2-0025-IAA	No Replacement	46			ARB17C3-SAA	ARB17C3-SAA	32	1	
AFG2-0026-IAA	ARE37C3-IAA	36	6, 1		ARB21C3-IAA	ARB21C3-IAA	48	1	
AFG2-0026-SAA	ARE37C3-SAA	38	6, 1	9	ARC1-0017-SAA	ARB13C3-SAA	32	6, 1	
AFH2-0033-IAA	ARE41C3-IAA	38	6, 1	9	ARD1-0020-SAA	ARB17C3-SAA	32	6, 1	
AFH2-0033-SAA	ARE41C3-SAA	40	6, 1		ARD4-0022-IAA	ARB21C3-IAA	48	5, 1	
AFH3-0033-IAA	No Replacement	46			ARE1-0023-SAA	ARE25C3-SAA	32	6, 1	9
AFJ1-0050-IAA	AFJ23C1-IAA	30	8		ARE25C3E-IAA	ARE25C3E-IAA	32	1	
AFJ31C1E-CFV	AFJ31C1E-CFV	46	8		ARE25C3E-SAA	ARE25C3E-SAA	32	1	9
AFJ37C1E-CFV	AFJ37C1E-CFV	46	8		ARE25C3-SAA	ARE25C3-SAA	32	1	
AFK1-0034-IAA	AFT12C1-IAA	30	7, 2		ARE27C3E-IAA	ARE27C3E-IAA	34	1	
AFT12C1E-IAA	AFT12C1E-IAA	30	2		ARE27C3E-SAA	ARE27C3E-SAA	36	1	9
AFT12C1-IAA	AFT12C1-IAA	30	2		ARE27C3-IAA	ARE27C3-IAA	34	1	

9. Replacement models will be available January 1, 2001.

Copeland® Brand to Copeland® Brand Quick Reference

Copeland® Brand Model	Copeland® Brand Replacement Model	Data Page	Figure No.	Notes	Copeland® Brand Model	Copeland® Brand Replacement Model	Data Page	Figure No.	Notes
ARE27C3-SAA	ARE27C3-SAA	36	1		ART62C1E-IAV	ART62C1E-IAV	44	2	
ARE36C3-IAA	ARE36C3-IAA	48	1		ART62C1-IAA	ART62C1-IAA	42	2	
ARE36C3-SAA	ARE36C3-SAA	48	1		ART64C1E-IAA	ART64C1E-IAA	44	2	
ARE37C3E-IAA	ARE37C3E-IAA	36	1		ART64C1E-IAV	ART64C1E-IAV	44	2	
ARE37C3E-IAV	ARE37C3E-IAV	48	1		ART69C1-IAA	ART69C1-IAA	50	3	
ARE37C3E-SAA	ARE37C3E-SAA	38	1		ART69C1-IAV	ART69C1-IAV	50	3	
ARE37C3-IAA	ARE37C3-IAA	36	1		ART82C1-CAA	ART82C1-CAA	52	3	
ARE37C3-SAA	ARE37C3-SAA	38	1	9	ART82C1-CAV	ART82C1-CAV	52	3	
ARE4-0025-IAA	ARE36C3-IAA	48	5, 1		ART97C1-PAA	ART97C1-PAA	52	3	
ARE41C3E-IAA	ARE41C3E-IAA	38	1		ART97C1-PAV	ART97C1-PAV	52	3	
ARE41C3E-IAV	ARE41C3E-IAV	40	1		AS10C1E-IAA	AFE11C3E-IAA	46	5, 1	
ARE41C3-IAA	ARE41C3-IAA	38	1	9	AS12C1E-IAA	ASB12C3E-IAA	54	5, 1	
ARE43C3-IAA	ARE43C3-IAA	48	1		AS13C1E-IAA	AFE13C3E-IAA	46	5, 1	
ARE47C3-IAA	ARE47C3-IAA	48	1		AS14C1E-IAA	ASB14C3E-IAA	54	5, 1	
ARE5-0025-SAA	ARE36C3-SAA	48	5, 1		AS18C1E-IAA	AFT18C1E-IAA	46	2	
ARE59C3-CAA	ARE59C3-CAA	48	1		AS19C1E-IAA	ASE19C3E-IAA	54	5, 1	
ARE59C3-CAV	ARE59C3-CAV	50	1		AS22C1E-IAA	AFT22C1E-IAA	46	4	
ARF2-0025-IAA	ARE27C3-IAA	34	6, 1		AS24C1E-IAA	ASE24C3E-IAA	54	5, 1	
ARF2-0025-SAA	ARE27C3-SAA	36	6, 1		AS24C1E-IAV	ASE24C3E-IAV	54	5, 1	
ARF4-0033-IAA	ARE43C3-IAA	48	5, 1		AS26C1E-CFV	AFT26C1E-CFV	48	4	
ARG2-0033-IAA	ARE37C3-IAA	36	6, 1		AS26C1E-IAA	AFT26C1E-CFA	46	4	
ARG2-0033-SAA	ARE37C3-SAA	38	6, 1	9	AS29C1E-IAA	AFT29C1E-CFA	48	4	
ARG4-0051-CAA	ARE59C3-CAA	48	5, 1		AS31C1E-CFV	AFJ31C1E-CFV	46	8	
ARG4-0051-CAV	ARE59C3-CAV	50	5, 1		AS32C1E-CAA	ASE32C3E-CAA	54	5, 1	
ARG4-0055-IAA	ART69C1-IAA	50	3		AS32C1E-CAV	ASE32C3E-CAV	54	5, 1	
ARG4-0055-IAV	ART69C1-IAV	50	3		AS37C1E-IAA	AST40C1E-IAA	54	3	
ARH1-0049-IAA	ART51C1-IAA	42	7, 2		AS40C1E-IAA	AST40C1E-IAA	54	3	
ARJ11K1-CAV	ARJ11K1-CAV	40	8		AS40C1E-IAV	AST40C1E-IAV	54	3	
ARJ11K1E-CAV	ARJ11K1E-CAV	40	8		AS45C1E-CAV	AST45C1E-CAV	54	3	
ARJ84C1E-IAV	ARJ84C1E-IAV	40	8		AS45C1E-IAA	AST45C1E-IAA	56	3	
ARJ84C1-IAA	ARJ84C1-IAA	42	8		AS54C1E-CAA	AST54C1E-CAA	56	3	
ARJ84C1-IAV	ARJ84C1-IAV	40	8		AS54C1E-CAV	AST54C1E-CAV	56	3	
ARK1-0050-IAA	ART62C1-IAA	42	2		ASB12C3E-IAA	ASB12C3E-IAA	54	1	
ARM1-0075-IAA	ARJ84C1-IAA	42	8		ASB14C3E-IAA	ASB14C3E-IAA	54	1	
ARM1-0075-IAV	ARJ84C1-IAV	40	8		ASE19C3E-IAA	ASE19C3E-IAA	54	1	
ARM3-0076-CAA	ART82C1-CAA	52	3		ASE24C3E-IAA	ASE24C3E-IAA	54	1	
ARM3-0076-CAV	ART82C1-CAV	52	3		ASE24C3E-IAV	ASE24C3E-IAV	54	1	
ARN1-0100-CAV	ARJ11K1-CAV	40	8		ASE32C3E-CAA	ASE32C3E-CAA	54	1	
ARN3-0100-PAA	ART97C1-PAA	52	3		ASE32C3E-CAV	ASE32C3E-CAV	54	1	
ARN3-0100-PAV	ART97C1-PAV	52	3		AST40C1E-IAA	AST40C1E-IAA	54	3	
ART51C1E-IAA	ART51C1E-IAA	42	2		AST40C1E-IAV	AST40C1E-IAV	54	3	
ART51C1E-IAV	ART51C1E-IAV	42	2		AST45C1E-CAV	AST45C1E-CAV	54	3	
ART51C1-IAA	ART51C1-IAA	42	2		AST45C1E-IAA	AST45C1E-IAA	56	3	
ART51C1-IAV	ART51C1-IAV	42	2		AST54C1E-CAA	AST54C1E-CAA	56	3	
ART62C1E-IAA	ART62C1E-IAA	42	2		AST54C1E-CAV	AST54C1E-CAV	56	3	

Copeland® Brand to Copeland® Brand Quick Reference

Copeland® Brand Model	Copeland® Brand Replacement Model	Data Page	Figure No.	Notes
CF04K6E	CF04K6E	146	10	
CF06K6E	CF06K6E	146	10	
CF09K6E	CF09K6E	146	10	
CF12K6E	CF12K6E	146	10	
CR16K6	CR16K6	82	10	
CR16KF	CR16K6	82	11, 10	
CR18K6	CRA1-0150	82	10, 13	
CR18KF	CRA1-0150	82	11, 13	
CR20K6	CRB1-0175	84	10, 13	
CR20KF	CRB1-0175	84	11, 13	
CR22K6-P	CRC1-0175-P	86	10, 13	
CR22K6-TF5	CRC1-0175-T	88	10, 13	
CR22K6-TFD	CRD1-0200-T	92	10, 13	
CR22KF	CRC1-0175	86	11, 13	
CR24K6	CRD1-0200	90	10, 13	
CR24KF	CRD1-0200-P	90	11, 13	
CR26K6	CRE2-0225	94	10, 13	
CR26KF	CRE2-0225	94	11, 13	
CR28K6-P	CRE2-0225-P	94	10, 13	
CR28K6-T	CRF1-0250-T	96	10, 13	
CR28KF	CRE2-0225	94	11, 13	
CR30K6-P	CRF2-0250-P	96	10, 13	
CR30K6-T	CRF1-0250-T	96	10, 13	
CR30KF	CRF2-0250	96	11, 13	
CR32K6	CR33KQ	100	10, 9	
CR32KF	CR33KQ	100	11, 9	
CR33KQ	CR33KQ	100	9	
CR34K6	CR34KQ	104	10, 9	
CR34KF	CR34KQ	104	11, 9	
CR34KQ	CR34KQ	104	9	
CR35K6	CR36KQ	106	10, 9	
CR35KF	CR36KQ	106	11, 9	
CR36KQ	CR36KQ	106	9	
CR37KQ	CR37KQ	108	9	
CR38K6	CR37KQ	108	10, 9	
CR41KQ	CR41KQ	110	9	
CR42K6	CR41KQ	110	10, 9	
CR47KQ	CR47KQ	114	9	
CR53KQ	CR53KQ	118	9	
CRA1-0150	CRA1-0150	82	13	
CRA4-0150	CRA1-0150	82	17, 13	
CRB1-0175	CRB1-0175	84	13	
CRB4-0150	CRB1-0175	84	17, 13	
CRC1-0175	CRC1-0175	86	13	
CRC2-0175	CRC1-0175	86	13	

Copeland® Brand Model	Copeland® Brand Replacement Model	Data Page	Figure No.	Notes
CRC4-0175	CRC1-0175	86	17, 13	
CRD1-0200	CRD1-0200	90	13	
CRD4-0200	CRD1-0200	90	17, 13	
CRE1-0225	CRE1-0225	92	13	
CRE2-0225	CRE2-0225	94	13	
CRE4-0225	CRE2-0225	94	17, 13	
CRF1-0250	CRF1-0250	96	13	
CRF2-0250	CRF2-0250	96	13	
CRF4-0250	CRF2-0250	96	17, 13	
CRG1-0250	CR33KQ	100	15, 9	
CRG3-0250	CR33KQ	100	13, 9	
CRH1-0275	CR34KQ	104	15, 9	
CRH3-0275	CR34KQ	104	13, 9	
CRI3-0290	CR36KQ	106	13, 9	
CRJ1-0300	CR36KQ	106	15, 9	
CRJ3-0300	CR37KQ	108	13, 9	
CRK1-0325	CR41KQ	110	15, 9	
CRK3-0325	CR41KQ	110	13, 9	
CRL1-0350	CR47KQ	114	16, 9	
CRL3-0350	CR47KQ	114	13, 9	
CRM1-0400	CR53KQ	118	16, 9	
CRM3-0400	CR53KQ	118	13, 9	
CRN1-0500	CRN5-0500	120	16, 14	
CRN5-0500	CRN5-0500	120	14	
CRP1-0450	CRP5-0450	122	16, 14	
CRP5-0450	CRP5-0450	122	14	
CRT5-0450	CRT5-0450	124	14	
CRZ4-0150	CR16K6	82	17, 10	
CS10K6E	CS10K6E	126	10	
CS12K6E	CS12K6E	126	10	
CS14K6E	CS14K6E	126	10	
CS18K6E	CS18K6E	130	10	
CS20K6E	CS20K6E	134	10	
CS27K3E	CS27K3E	138	13	
CS33K3E	CS33K3E	138	13	
CTH1-0275	CTH1-0275	147	12	
CTL1-0350	CTL1-0350	147	12	
CTM1-0400	CTM1-0400	147	12	
CTN1-0500	CTN1-0500	147	12	

Copeland® Brand to Copeland® Brand Quick Reference

Copeland® Brand Model	Copeland® Brand Replacement Model	Data Page	Figure No.	Notes	Copeland® Brand Model	Copeland® Brand Replacement Model	Data Page	Figure No.	Notes
4U18-302	CR33KQ	100	9	4	USS3-0200	CRD1-0200	90	13	4
4U26-0401	CR47KQ	114	9	4	VRB1-0300	CR41KQ	110	9	8
4U26-0402	CR47KQ	114	9	4	VRC1-0350	CR47KQ	114	9	8
4US1-501	CRP5-0450	122	14	4	VRD1-0400	CR53KQ	118	9	8
4US1-502	CRP5-0450	122	14	4	VRE1-0500	CRN5-0500	120	14	8
SEA1-0200	CRB1-0175	84	13		YEB1-0300	CR41KQ	110	9	
SEB1-0200	CRC1-0175	86	13		YEB1-0301	CR41KQ	110	9	
SEC1-0200	CRD1-0200	90	13		YEC1-0350	CR47KQ	114	9	
SEF1-0175	CRA1-0150	82	13		YEH4-0500-PFB	CRP5-0450-PFV	122	14	
SEH1-0200	CRD1-0200	90	13		YEH5-0500	CRP5-0450	122	14	
SEH2-0225	CRF2-0250	96	13		YEJ1-0275	CR33KQ	100	9	
SEJ1-0225	CRE2-0225	94	13		YEK1-0325	CR41KQ	110	9	
SEK1-0250	CRF2-0250	96	13		YEL1-0350	CR47KQ	114	9	
SEM1-0275	CR33KQ	100	9		YHB1-0300	CR41KQ	110	9	
SEN2-0175	CRA1-0150	82	13		YHB1-0301	CR41KQ	110	9	
SEP2-0200	CRC1-0175	86	13		YHC1-0350	CR47KQ	114	9	
SHB2-0200	CRC1-0175	86	13		YHD2-0400	CR47KQ	114	9	
SHC2-0200	CRD1-0200	90	13		YHD6-0400	CR53KQ	118	9	
SHF2-0175	CRA1-0150	82	13		YHJ1-0275	CR33KQ	100	9	
SHK2-0250	CRF2-0250	96	13		YHK1-0325	CR41KQ	110	9	
SHM2-0275	CR33KQ	100	9		YHL1-0350	CR47KQ	114	9	
SRA4-0200	CRB1-0175	84	13		YRB2-0300	CR41KQ	110	9	8
SRA5-0200	CRC1-0175	88	13		YRB2-0301	CR41KQ	110	9	8
SRA6-0200	CRB1-0175	86	13		YRB4-0300	CR41KQ	110	9	8
SRB4-0200	CRC1-0175	86	13	8	YRB4-0301	CR41KQ	110	9	8
SRB5-0200	CRC1-0175	88	13	8	YRC2-0350	CR47KQ	114	9	8
SRB6-0200	CRC1-0175	86	13	8	YRC4-0350-PFB	CR47KQ-PFV	114	9	8
SRC4-0200	CRD1-0200	90	13	8	YRC4-0350-PFH	CR47KQ-PFV	114	9	8
SRC5-0200	CRD1-0200	90	13	8	YRC4-0350-PFV	CR47KQ-PFV	114	9	8
SRC6-0200	CRD1-0200	90	13	8	YRC4-0350-T	CR47KQ-T	118	9	8
SRD4-0224	CRE2-0225	94	13	8	YRD2-0400	CR47KQ	114	9	8
SRD4-0225	CRE2-0225	94	13	8	YRD4-0400-PFB	CR47KQ-PFV	114	9	8
SRD5-0225	CRE2-0225	94	13	8	YRD4-0400-PFH	CR47KQ-PFV	114	9	8
SRD6-0225	CRE2-0225	94	13	8	YRD4-0400-PFV	CR47KQ-PFV	114	9	8
SRE4-0250	CRF2-0250	96	13		YRD4-0400-T	CR47KQ-T	118	9	8
SRF5-0175	CRA1-0150	82	13		YRD5-0400	CR47KQ	114	9	8
SRH4-0200	CRD1-0200	90	13		YRD6-0400	CR53KQ	118	9	8
SRJ4-0225	CRE2-0225	94	13	8	YRE2-0500	CRP5-0450	122	14	8
SRK4-0250	CRF2-0250	96	13		YRE4-0500-PFV	CRP5-0450-PFV	122	14	8
SRK5-0250	CR33KQ	100	9		YRE4-0500-T	CRP5-0450-T	124	14	8
SRM4-0275	CR33KQ	100	9	8	YRE5-0500	CRP5-0450	122	14	8
URA1-2000	CRE2-0225	94	13	4	YRE6-0500	CRP5-0450	122	14	8
US12-0200	CRD1-0200	90	13	4	YRF2-0450	CR53KQ	118	9	8

4. The U* and 4U* models have been obsolete for many years; no compressor data is available. The replacement compressor data can be found on the pages referenced above.

8. Refer to the Typical Drawings on page 176 for compressor drawings of the V, Y, and S models.

Copeland® Brand to Copeland® Brand Quick Reference

Copeland® Brand Model	Copeland® Brand Replacement Model	Data Page	Figure No.	Notes
REB3-0150-PFV	RR14K1-PFV	62	18	
REBQ-O150-PFV	RS80C2E-CAV	66	18	
REK3-0125-PFV	RS70C1 E-PFV	74	18	
REK3-0125- TFC	RS70C1 E- TFC	72	18	
REK3-0125- TFD	RS70C1- TFD	72	18	
REKQ-O125-PFV	RS70C1 E-PFV	72	18	
REL3-0200-PFV	RR20K1-PFV	72	18	
RES3-0175-PFV	RR16K1-PFV	68	18	
REY3-0175-PFV	RR17K1-PFV	66	18	
REY3-0175- TFC	RR17K1- TFC	66	18	
REZ3-0125-PFV	RR12K1-PFV	68	18	
RF18C1 E-IAA	RF18C2E-IAA	66	18	
RF18C1 E-IAV	RF18C2E-IAV	62	18	
RF18C2E-IAA	RF18C2E-IAA	62	18	
RF18C2E-IAV	RF18C2E-IAV	62	18	
RR10K1E-CAV	RR10K2E-CAV	62	18	
RR10K2E-CAA	RR10K2E-CAA	62	18	
RR10K2E-CAV	RR10K2E-CAV	62	18	
RR12K1-PFV	RR12K1-PFV	66	18	
RR14K1-PFV	RR14K1-PFV	66	18	
RR16K1-PFV	RR16K1-PFV	66	18	
RR17K1-PFV	RR17K1-PFV	66	18	
RR17K1-TFC	RR17K1-TFC	68	18	
RR20K1-PFV	RR20K1-PFV	68	18	
RR81 C1 E-IAA	RR81 C2E-IAA	62	18	
RR81C1E-IAV	RR81C2E-IAV	62	18	
RR81C2E-IAA	RR81C2E-IAA	62	18	
RR81 C2E-IAV	RR81 C2E-IAV	62	18	
RRG4-0100-PAA	RS64C2E-PAA	72	18	
RRG4-0100-PAV	RS64C2E-CAV	70	18	
RRK4-0126-PAA	RS70C1-PAA	72	18	
RRL4-0100-CAV	RR10K2E-CAV	62	18	
RRL6-0100-CAA	RR10K2E-CAA	62	18	
RRS4-0075-IAA	RR81 C2E-IAA	62	18	
RRS4-0075-IAV	RR81 C2E-IAV	62	18	
RS40C1 E-IAA	RS40C2E-IAA	64	18	
RS40C1 E-IAV	RS40C2E-IAV	64	18	
RS40C2E-IAA	RS40C2E-IAA	64	18	
RS40C2E-IAV	RS40C2E-IAV	64	18	
RS40C2-IAA	RS40C2-IAA	62	18	
RS43C1E-CAA	RS43C2E-CAA	68	18	
RS43C1E-CAV	RS43C2E-CAV	68	18	
RS43C1 E-IAA	RS43C2E-IAA	68	18	
RS43C1 E-IAV	RS43C2E-IAV	68	18	
RS43C2E-CAA	RS43C2E-CAA	68	18	
RS43C2E-CAV	RS43C2E-CAV	68	18	

Copeland® Brand Model	Copeland® Brand Replacement Model	Data Page	Figure No.	Notes
RS43C2E-IAA	RS43C2E-IAA	68	18	
RS43C2E-IAV	RS43C2E-IAV	68	18	
RS47C2-IAA	RS47C2-IAA	68	18	
RS47C2-IAV	RS47C2-IAV	68	18	
RS54C1 E-IAA	RS54C2E-IAA	64	18	
RS54C1 E-IAV	RS54C2E-IAV	64	18	
RS54C2E-IAA	RS54C2E-IAA	64	18	
RS54C2E-IAV	RS54C2E-IAV	64	18	
RS55C1E-CAV	RS55C2E-CAV	70	18	
RS55C1E-PAA	RS55C2E-CAA	70	18	
RS55C1E-PAV	RS55C2E-CAV	70	18	
RS55C2-CAA	RS55C2E-CAA	70	18	
RS55C2E-CAA	RS55C2E-CAA	70	18	
RS55C2E-CAV	RS55C2E-CAV	70	18	
RS55C2E-CAV	RS55C2E-CAV	70	18	
RS64C1E-CAA	RS64C2E-CAA	70	18	
RS64C1E-CAV	RS64C2E-CAV	70	18	
RS64C1 E-IAA	RS64C2E-CAA	70	18	
RS64C1 E-IAV	RS64C2E-IAV	70	18	
RS64C1E-PAA	RS64C2E-PAA	72	18	
RS64C2-CAA	RS64C2E-CAA	70	18	
RS64C2-CAV	RS64C2E-CAV	70	18	
RS64C2E-CAA	RS64C2E-CAA	70	18	
RS64C2E-CAV	RS64C2E-CAV	70	18	
RS64C2E-IAA	RS64C2E-CAA	70	18	
RS64C2E-IAV	RS64C2E-IAV	70	18	
RS64C2E-PAA	RS64C2E-PAA	72	18	
RS64C2-IAA	RS64C2E-CAA	70	18	
RS64C2-IAV	RS64C2E-IAV	70	18	
RS64C2-PAA	RS64C2E-PAA	72	18	
RS70C1E-PFV	RS70C1E-PFV	72	18	
RS70C1E-TFC	RS70C1E-TFC	72	18	
RS70C1-PAA	RS70C1-PAA	72	18	
RS70C1-PFV	RS70C1E-PFV	72	18	
RS70C1-TFC	RS70C1E-TFC	72	18	
RS70C1- TFD	RS70C1- TFD	72	18	
RS80C1E-CAA	RS80C2E-CAA	72	18	
RS80C1E-CAV	RS80C2E-CAV	74	18	
RS80C1E-TF5	RS80C2E-TF5	74	18	
RS80C1E-TFD	RS80C2E-TFD	74	18	
RS80C2-CAV	RS80C2E-CAV	74	18	
RS80C2E-CAA	RS80C2E-CAA	72	18	
RS80C2E-CAV	RS80C2E-CAV	74	18	
RS80C2E-TF5	RS80C2E-TF5	74	18	
RS80C2E-TFD	RS80C2E-TFD	74	18	
RS86C1E-PFV	RS86C2E-PFV	74	18	
RS86C2E-PFV	RS86C2E-PFV	74	18	

Copeland® Brand to Copeland® Brand Quick Reference

Copeland® Brand Model	Copeland® Brand Replacement Model	Data Page	Figure No.	Notes
RS97C1E-CAA	RS97C2E-CAA	74	18	
RS97C1E-CAV	RS97C2E-CAV	74	18	
RS97C1E-TFC	RS97C2E-TFC	74	18	
RS97C2-CAV	RS97C2E-CAV	74	18	
RS97C2E-CAA	RS97C2E-CAA	74	18	
RS97C2E-CAV	RS97C2E-CAV	74	18	
RS97C2E-TFC	RS97C2E-TFC	74	18	
RSE4-0075-IAA	RS47C2-IAA	68	18	
RSE4-0075-IAV	RS47C2-IAV	68	18	
RSE4-0076-IAA	RS47C2-IAA	68	18	
RSE4-0076-IAV	RS47C2-IAV	68	18	
RSF2-0050-IAA	RS40C2E-IAA	64	18	
RSF2-0050-IAV	RS40C2E-IAV	64	18	
RSF5-0075-CAA	RS55C2E-CAA	70	18	
RSL2-0075-IAA	RS54C2E-IAA	64	18	
RSL2-0075-IAV	RS54C2E-IAV	64	18	
RSL2-0100-CAA	RSL2-0100-CAA	74	18	
RSL2-0101-CAA	RS97C2E-CAA	74	18	
RSL2-0101-CAV	RS97C2E-CAV	74	18	
RSL4-0175-PFV	RR17K1-PFV	66	18	
RSL4-0175-TFC	RSL4-0175-TFC	74	18	
RSL5-0100-CAV	RS97C2E-CAV	74	18	
RSL5-01 00- TFC	RS97C2E- TFC	74	18	
RSL5-0101-CAV	RS97C2E-CAV	74	18	
RSL5-01 01- TFC	RS97C2E- TFC	74	18	
RSN2-0050-IAA	RS40C2E-IAA	64	18	
RSN2-0050-IAV	RS40C2E-IAV	64	18	
RSN4-0050-IAA	RS40C2E-IAA	64	18	
RSN4-0050-IAV	RS40C2E-IAV	64	18	
RSN4-0075-CAV	RS64C2E-CAV	70	18	
RSN4-0075-IAA	RS64C2E-CAA	70	18	
RSN4-0075-IAV	RS64C2E-IAV	70	18	
RSN4-0075-PAA	RS64C2E-PAA	72	18	
RSN4-0100-CAV	RS64C2E-CAV	70	18	
RSN4-0100-PAA	RS64C2E-PAA	72	18	
RSN5-0075-CAA	RS64C2E-CAA	70	18	
RSN5-0075-IAA	RS64C2E-CAA	70	18	
RSN5-0075-IAV	RS64C2E-IAV	70	18	
RSN6-0075-CAA	RS64C2E-CAA	70	18	
RSN6-0075-IAA	RS64C2E-CAA	70	18	
RSN6-0075-IAV	RS64C2E-IAV	70	18	
RSU4-0050-CAA	RS43C2E-CAA	68	18	
RSU4-0050-IAA	RS43C2E-IAA	68	18	
RSU5-0050-IAA	RS43C2E-IAA	68	18	
RSU5-0050-IAV	RS43C2E-IAV	68	18	

Copeland® Brand to Copeland® Brand Quick Reference

“J” to “A” Adapter Kits Guide

Copeland® Brand Model	Copeland® Brand Replacement Model	Data Page	Figure No.	Notes	Select Kit(s) Required*			
					*Questions need to be asked when replacing all J's: What is the base arrangement on the “J”? Does the “J” have a conduit?			
JF10C1E-IAA	AFE10C3E-IAA	30	20, 1		J Model Being Replaced	Base Adapter & Conduit Kit	Conduit Box Kit	Base Adapter Kit
JFB1-0033-IAA	ARE41C3-IAA	38	20, 1	2	Weld Nuts (No Base)	934-0001-02	962-0001-02	998-0527-03
JR26C1E-IAA	ARE27C3E-IAA	36	20, 1	2	4.8" x 8" base	934-0001-00	962-0001-02	998-0527-01
JR36C1E-IAA	ARE37C3E-IAA	36	20, 1	2	7" x 7" base	934-0001-01	962-0001-02	527-0174-00
JR36C1E-IAV	ARE37C3E-IAV	38	20, 1	2	5" x 7" base	934-0001-00	962-0001-02	998-0527-01
JRE1-0033-IAA	ARE37C3-IAA	36	20, 1	2				
JRN1-0025-IAA	ARE27C3-IAA	34	20, 1	2				
JS19C1E-IAA	ASE19C3E-IAA	54	20, 1					
JS25C1E-IAA	ASE24C3E-IAA	54	20, 1	2				
JSS5-0050-IAA	ARE43C3-IAA	48	19, 1					
JF11C1E-IAA	AFT12C1E-IAA	30	20, 1	2	J Model Being Replaced	Base Adapter & Conduit Kit	Conduit Box Kit	Base Adapter Kit
JFH1-0033-IAA	AFT12C1-IAA	30	20, 2	2	Weld Nuts (No Base)	934-0001-08	962-0001-01	998-0527-04
JFH1-0033-SAA	AFT12C1-IAA	30	20, 2		4.8" x 8" base	not required	962-0001-01	not required
JR53C1E-IAA	ART51C1E-IAA	42	20, 2	2	7" x 7" base	934-0001-07	962-0001-01	998-0527-00
JR53C1E-IAV	ART51C1E-IAV	42	20, 2		5" x 7" base	934-0001-06	962-0001-01	998-0527-02
JRL4-0050-IAA	ART51C1-IAA	42	20, 2	2				
JRL4-0050-IAV	ART51C1-IAV	42	20, 2	2				
JRE1-0050-IAA	ARE59C3-CAA	48	20, 1	2	J Model Being Replaced	Base Adapter & Conduit Kit	Conduit Box Kit	Base Adapter Kit
JRE1-0050-IAV	ARE59C3-CAV	50	20, 1	2	Weld Nuts (No Base)	not required	not required	998-0527-03
JRS4-0050-IAA	ARE47C3-IAA	48	19, 1	2	4.8" x 8" base	not required	not required	998-0527-01
JSE5-0051-CAA	ARE59C3-CAA	50	19, 1	2	7" x 7" base	not required	not required	527-0174-00
JSE5-0051-PAV	ARE59C3-CAV	50	19, 1		5" x 7" base	not required	not required	998-0527-01
JRF4-0050-IAA	ART69C1-IAA	50	19, 3	2	J Model Being Replaced	Base Adapter & Conduit Kit	Conduit Box Kit	Base Adapter Kit
JRF4-0050-IAV	ART69C1-IAV	50	19, 3	2	Weld Nuts (No Base)	not required	not required	998-0527-04
JRF4-0075-PAA	ART69C1-IAA	50	19, 3	2	4.8" x 8" base	not required	not required	not required
JRF4-0075-PAV	ART69C1-IAV	50	19, 3	2	7" x 7" base	not required	not required	998-0527-00
JRG4-0100-PAV	ART97C1-PAV	52	19, 3		5" x 7" base	not required	not required	998-0527-02
JRH4-0100-PAA	ART97C1-PAA	52	19, 3	2				
JRH4-0100-PAV	ART97C1-PAV	52	19, 3	2				
JRL4-0100-PAA	ART97C1-PAA	52	19, 3	2				
JRL4-0100-PAV	ART97C1-PAV	52	19, 3					
JSH5-0075-CAA	ART97C1-PAA	52	19, 3					
JSH5-0075-PAV	ART97C1-PAV	52	19, 3					
JSL5-0075-CAA	ART97C1-PAA	52	19, 3	2				
JSL5-0075-PAV	ART97C1-PAV	52	19, 3					
JS35C1E-CAA	ASE32C3E-CAA	54	20, 1		J Model Being Replaced	Base Adapter & Conduit Kit	Conduit Box Kit	Base Adapter Kit
JS35C1E-CAV	ASE32C3E-CAV	54	20, 1		Weld Nuts (No Base)	934-0001-05	962-0001-00	998-0527-04
JS55C1E-CAA	AST54C1E-CAA	56	20, 3	2	4.8" x 8" base	not required	962-0001-00	not required
					7" x 7" base	934-0001-04	962-0001-00	998-0527-00
					5" x 7" base	934-0001-03	962-0001-00	998-0527-02
JFB1-0033-IAV	No Replacement	40	20					
JFP1-0050-IAA	RS40C2-IAA	62	20, 18	2				

1. See Form No. 99-102W Supplement for available models.
2. Models still available from Emerson Climate Technologies, Inc.

Tecumseh to Copeland® Brand Quick Reference

Tecumseh Model	Old Tecumseh Model	Copeland® Brand Replacement Model	Notes	Tecumseh Model	Old Tecumseh Model	Copeland® Brand Replacement Model	Notes
AB5515G		RR14K1-PFV	5	AEA2413AXA	AE2413A	ARE41C3-SAA	6
AB5515H		RR14K1-PFV	5	AEA2413YXA	AE2413Y	AFT12C1E-IAA	6
AB5517G		RR16K1-PFV	5	AEA2415AAB	AE2415A	AFT12C1-IAA	6
AB5517H		RR16K1-PFV	5	AEA3414AXA	AE3414A	ARB10C3-SAA	6
AB5519F		CRA1-0150-PFV	5	AEA3414YXA	AE3414Y	ARB13C3E-SAA	6
AB5519G		CRA1-0150-PFV	5	AEA3417AXA	AE3417A	ARB17C3-SAA	6
AB5519H		CRA1-0150-PFV	5	AEA3417YXA	AE3417Y	ARB17C3E-SAA	6
AB5520F		CRB1-0175-PFV	5	AEA3425AXA	AE3425A	ARE25C3-SAA	6
AB5520G		CRB1-0175-PFV	5	AEA3425YXA	AE3425Y	ARE25C3E-SAA	6
AB5520H		CRB1-0175-PFV	5	AEA3430AXA	AE3430A	ARE27C3-SAA	6
AB5522F		CRC1-0175-PFV	5	AEA3430YXA	AE3430Y	ARE27C3E-SAA	6
AB5522G		CRC1-0175-PFV	5	AEA3440YXA	AE3440Y	ARE37C3E-SAA	6
AB5522H		CRC1-0175-PFV	5	AEA3448YXA	AE3448Y	ARE41C3E-SAA	6
AB5524F		CRD1-0200-PFV	5	AEA4430AXA	AE4430A	ARE27C3-IAA	6
AB5524G		CRD1-0200-PFV	5	AEA4430YXA	AE4430Y	ARE27C3E-IAA	6
AB5524H		CRD1-0200-PFV	5	AEA4440AXA	AE4440A	ARE37C3-IAA	6
AB5528G		CRE2-0225-PFV	5	AEA4440YXA	AE4440Y	ARE41C3E-IAA	6
AB5528H		CRE2-0225-PFV	5	AEA4440YXD	AE4440Y	ARE37C3E-IAV	6
AB5530G		CRF2-0250-PFV	5	AEA4448AXA	AE4448A	ARE41C3-IAA	6
AB5530H		CRF2-0250-PFV	5	AEA4448YXA	AE4448Y	ARE41C3E-IAA	6
AE1410A		ARE27C3-IAA	5	AEA4448YXD	AE4448YXD	ARE41C3E-IAV	6
AE1411D		ARE27C3-IAA	5	AEA9415EXA	AE9415E	No Replacement	6
AE1413A		ARE37C3-IAA	5	AEA9415EXD	AE9415E	No Replacement	6
AE1413D		ARE37C3-IAA	5	AEA9415ZXA	AE9415Z	ASB14C3E-IAA	6
AE1415B		ARE41C3-IAA	5	AEA9422EXA	AE9422E	ARE43C3-IAA	6
AE2410A		ARE27C3-IAA	5	AG5546E		CR47KQ-PFV	5
AE2413A		ARE37C3-IAA	5	AG5546H		CR47KQ-PFV	5
AE2415A		ARE41C3-IAA	5	AG5553E		CR53KQ-PFV	5
AE3430A		ARE25C3-SAA	5	AG5553H		CR53KQ-PFV	5
AE3440D		ARE37C3-IAA	5	AG5561E		CRP5-0450-PFV	5
AE3448A		ARE37C3-IAA	5	AG5561H		CRP5-0450-PFV	5
AE41		ARE25C3-SAA	5	AG5568E		CRN5-0500-PFV	5
AE4430		ARE25C3-SAA	5	AGA4534AXN	AG4534A	CS33K3E-PFV	6
AE4448A		ARE37C3-IAA	5	AGA4534AXT	AG4534A	CS33K3E-TF5	6
AE5470E		ARE59C3-CAA	5	AGA5553EXN		CR53KQ-PFV	
AEA0415EXA		No Replacement		AGA5553EXT		CR53KQ-PFV	
AEA0415ZXA	AE0415ZXA	ASB14C3E-IAA	6	AGA5561EXN		CRN5-0500-PFV	
AEA1336AXA	AE1336A	ARB10C3-SAA	6	AGA5561EXT		CRN5-0500-TF5	
AE1343AXA	AE1343A	ARB13C3-SAA	6	AGA5568EXN		CRN5-0500-PFV	
AEA1360AXA	AE1360A	ARE25C3-SAA	6	AGA5568EXT		CRN5-0500-TF5	
AEA1380AXA	AE1380A	ARE27C3-SAA	6	AGC5553EXG		CR53KQ-TFD	
AEA1410AXA	AE1410A	ARE37C3-SAA	6	AGC5561EXG		CRN5-0500-TFD	
AEA1411EXA	AE1411E	No Replacement	6	AGC5568EXG		CRN5-0500-TFD	
AEA1413AXA	AE1413A	ARE41C3-IAA	6	AH20L12V		CRB1-0175-PFV	5
AEA1415EXA	AE1415E	No Replacement	6	AH22M12V		CRC1-0175-PFV	5
AEA2380ZXA	AE2380Z	No Replacement	6	AH24P12V		CRD1-0200-PFV	5
AEA2410AXA	AE2410A	ARE37C3-IAA	6	AH28Q13V		CRE2-0225-PFV	5
AEA2410YXA	AE2410Y	AFE10C3E-IAA	6	AH31S13V		CRF2-0250-PFV	5
AEA2411ZXA	AE2411Z	AFE11C3E-IAA	6	AH31T13		CRF2-0250-PFV	5

5. Single phase model listed only; other voltages may be available.

6. "Old" competitive models are not listed in the Compressor Data section. Suggested replacement is based on current competitive model.

*Designates any letter or number.

Tecumseh to Copeland® Brand Quick Reference

Tecumseh Model	Old Tecumseh Model	Copeland® Brand Replacement Model	Notes	Tecumseh Model	Old Tecumseh Model	Copeland® Brand Replacement Model	Notes
AH34X13		CR33KQ-PFV	5	AHA7521ZXF	AH7521Z	CS20K6E-TF5	6
AH40X15		CR37KQ-PFV	5	AHA7521ZXF	AHA7524JXF	CS20K6E-TF5	6
AH5520E		CRB1-0175-PFV	5	AHA7521ZXF	AH7524J	CS20K6E-TF5	6
AH5522E		CRC1-0175-PFV	5	AHB7511AXD	AH7511B	CS20K6E-PFV	6
AH5524E		CRD1-0200-PFV	5	AJ14		ART69C1-IAA	5
AH5527E		CRE2-0225-PFV	5	AJ16		ART82C1-CAA	5
AH5531E		CRF2-0250-PFV	5	AJ1P13		RR12K1-PFV	5
AH5533E		CR33KQ-PFV	5	AJ1R12		RR12K1-PFV	5
AH5534E		CR33KQ-PFV	5	AJ2416		ARE41C3-IAA	5
AH5540E		CR37KQ-PFV	5	AJ2416B		ARE41C3-IAA	5
AH8524E		CRC1-0175-PFV	5	AJ4		ART69C1-IAA	5
AH8526E		CRD1-0200-PFV	5	AJ4443A		ARE37C3-IAA	5
AH8529E		CRD1-0200-PFV	5	AJ4461A		ART51C1-IAA	5
AH8532E		CRE2-0225-PFV	5	AJ4461B		ART51C1-IAA	5
AH8538E		CR33KQ-PFV	5	AJ4492E		RR81C2E-IAA	5
AH8539E		CR34KQ-PFV	5	AJ4512A		RR10K2E-CAA	5
AH8543E		CR34KQ-PFV	5	AJ5470E		ART69C1-IAA	5
AH8548E		CR41KQ-PFV	5	AJ5471E		ART69C1-IAA	5
AHA2465ZXB	AH2465Z	CF06K6E-PFV	6	AJ5478E		ART69C1-IAA	5
AHA2465ZXF	AH2465Z	CF06K6E-TF5	6	AJ5512G		RR12K1-PFV	5
AHA2490ZXD	AH2490Z	CF09K6E-PFV	6	AJ5513E		RR12K1-PFV	5
AHA2490ZXF	AH2490Z	CF09K6E-TF5	6	AJ5513F		RR12K1-PFV	5
AHA4518AXD	AH4518A	CS18K6E-PFV	6	AJ5514E		RS70C1E-PFV	5
AHA4518AXF	AH4518A	CS18K6E-TF5	6	AJ5515E		RS70C1E-PFV	5
AHA4518AXG	AH4518A	CS18K6E-TFD	6	AJ5515F		RS70C1E-PFV	5
AHA4520EXD	AH4520E	RR17K1-PFV	6	AJ5517E		RR16K1-PFV	5
AHA4520EXF	AH4520E	RR17K1-TFC	6	AJ5517G		RR16K1-PFV	5
AHA4524EXD	AH4524E	CRD1-0200-PFV	6	AJ5518E		CRA1-0150-PFV	6
AHA4524EXF	AH4524E	CRD1-0200-TF5	6	AJ8494		ART69C1-IAA	5
AHA4525AXD	AH4525A	CS20K6E-PFV	6	AJ8514E		RR12K1-PFV	5
AHA4525AXF	AH4525A	CS20K6E-TF5	6	AJ8516E		RS70C1E-PFV	5
AHA4525AXG	AH4525A	CS20K6E-TFD	6	AJ8520E		CRA1-0150-PFV	6
AHA4531EXD	AH4531E	CR34KQ-PFV	6	AJA1420EXA	AJ1420E	No Replacement	6
AHA4531EXF	AH4531E	CR34KQ-TF5	6	AJA2419ZXA	AJ2419Z	AFT22C1 E-IAA	6
AHA4540EXD	AH4540E	CR41KQ-PFV	6	AJA2425AXA	AJ2425A	AFJ23C1-IAA	6
AHA4540EXF	AH4540E	CR41KQ-TF5	6	AJA2425AXD	AJ2425A	RF18C2E-IAV	6
AHA7480AXD	AH7480A	CS14K6E-PFV	6	AJA2425ZXA	AJ2425Z	AFT26C1E-CFA	6
AHA7480AXF	AH7480A	CS14K6E-TF5	6	AJA2425ZXD	AJ2425Z	AFT26C1E-CFV	6
AHA7511AXF	AH7511A	CS20K6E-TF5	6	AJA4461AXA	AJ4461A	ART62C1-IAA	6
AHA7511AXF	AHA7513ZXF	CS20K6E-TF5	6	AJA4461AXD	AJ4461A	ART64C1E-IAV	6
AHA7511AXF	AH7513Z	CS20K6E-TF5	6	AJA4492AXA	AJ4492A	ARJ84C1-IAA	6
AHA7513ZXD	AH7513Z	CS12K6E-PFV	6	AJA4492AXD	AJ4492A	ARJ84C1-IAV	6
AHA7513ZXD	AHA7515JXB	CS12K6E-PFV	6	AJA4492YXA	AJ4492Y	RR81 C2E-IAA	6
AHA7513ZXD	AH7515J	CS12K6E-PFV	6	AJA4492YXD	AJ4492Y	ARJ84C1 E-IAV	6
AHA7514AXD	AH7514A	CS27K3E-PFV	6	AJA4512AXD	AJ4512A	ARJ11K1-CAV	6
AHA7514AXF	AH7514A	CS27K3E-TF5	6	AJA4512YXD	AJ4512Y	CS10K6E-PFV	6
AHA7521ZXD	AH7521Z	CS20K6E-PFV	6	AJA5517EXD		CR16K6-PFV	
AHA7521ZXD	AHA7524JXB	CS20K6E-PFV	6	AJA7441AXA	AJ7441A	RS40C2E-IAA	6
AHA7521ZXD	AH7524J	CS20K6E-PFV	6	AJA7441AXD	AJ7441A	RS40C2E-IAV	6

5. Single phase model listed only; other voltages may be available.

6. "Old" competitive models are not listed in the Compressor Data section. Suggested replacement is based on current competitive model.

*Designates any letter or number.

Tecumseh to Copeland® Brand Quick Reference

Tecumseh Model	Old Tecumseh Model	Copeland® Brand Replacement Model	Notes	Tecumseh Model	Old Tecumseh Model	Copeland® Brand Replacement Model	Notes
AJA7461YXA	AJ7461Y	RS54C2E-IAA	6	AT3512		ARE41C3-IAA	5
AJA7461YXD	AJ7461Y	RS54C2E-IAV	6	AT3J12		ARE41C3-IAA	5
AJA7494ZXD	AJ7494Z	CS10K6E-PFV	6	AT 43		ARE27C3-IAA	5
AJA9484EXD	AJ9484E	RS97C2E-CAV	6	AT4C		ARE25C3-SAA	5
AJB7465AXD	AJ7465B	CS14K6E-PFV	6	AU14		ART69C1-IAA	5
AJB7510JXD	AJ7510K	CS12K6E-PFV	6	AU16		ART82C1-CAA	5
AJC5519EXD		CRB1-0175-PFV		AU4		ART69C1-IAA	5
AJK8494E		ART82C1-CAA	5	AUR13		RS70C1E-PFY	5
AJR15		RR16K1PFV		AV5532E		CRF2-0250-PFV	5
AJT15		CRA1-0150-PFV	5	AV5535E		CR34KQ-PFV	5
AK5438E		ART82C1-CAA	5	AV5538E		CR37KQ-PFV	5
AK5470E		ARE59C3-CAA	5	AV5542E		CR41KQ-PFV	5
AK847SE		ARE59C3-CAA	5	AV5546E		CR47KQ-PFV	5
AK8483E		ART69C1-IAA	5	AVA2490ZXN		CF09K6E-PFV	
AK8514E		RR12K1-PFV	5	AVA2490ZXT		CF09K6E-TF5	
AK8515E		RR12K1-PFV	5	AVA2512ZXG		CS33K3E-TFD	
AK9441		ARE27C3-IAA	5	AVA2512ZXN		CF12K6E-PFV	
AKA4460YXA	AK4460Y	ART62C1 E-IAA	6	AVA2512ZXT		CF12K6E-TF5	
AKA4460YXD	AK4460Y	ART62C1 E-IAV	6	AVA5532EXN		CR33KQ-PFV	
AKA4476YXA	AK4476Y	ART64C1 E-IAA	6	AVA5535EXN		CR36KQ-PFV	
AKA4476YXD	AK4476Y	ART64C1 E-IAV	6	AVA5535EXT		CR36KQ-TF5	
AKA9427ZXA	AK9427Z	ASE24C3E-IAA	6	AVA5538EXG		CR37KQ-TFD	
AKA9427ZXD	AK9427Z	ASE24C3E-IAV	6	AVA5538EXN		CR37KQ-PFV	
AKA9428EXA	AK9428E	ARE59C3-CAA	6	AVA5538EXT		CR37KQ-TF5	
AKA9428EXD	AK9428E	ARE59C3-CAV	6	AVA5542EXG		CR41KQ-TFD	
AKA9434AXA	AK9434A	ART64C1 E-IAA	6	AVA5542EXN		CR41KQ-PFV	
AKA9438ZXA	AK9438Z	AST40C1 E-IAA	6	AVA5542EXT		CR41KQ-TF5	
AKA9438ZXD	AK9438Z	AST40C1 E-IAV	6	AVA5546EXG		CR47KQ-TFD	
AKA9441AXA	AK9441A	RS40C2E-IAA	6	AVA5546EXN		CR47KQ-PFV	
AKA9442EXA	AK9442E	ART97C1-PAA	6	AVA5546EXT		CR47KQ-TF5	
AKA9442EXD	AK9442E	ART97C1-PAV	6	AVA7524ZXT		CS27K3E-TF5	
AKA9451ZXA	AK9451Z	AST54C1 E-IAA	6	AVD5558EXG		CRN5-0500-TFD	
AKA9451ZXD	AK9451Z	AST54C1E-CAV	6	AVD5558EXN		CRN5-0500-PFV	
AKA9455EXA	AK9455E	ART97C1-PAA	6	AVD5558EXT		CRN5-0500-TF5	
AKA9455EXD	AK9455E	RS64C2E-IAV	6	AW5517		CRA1-0150-PFV	5
AKA9455ZXA	AK9455Z	AST54C1E-CAA	6	AW5519		CRB1-0175-PFV	5
AKA9455ZXD	AK9455Z	AST54C1E-CAV	6	AW5520		CRB1-0175-PFV	5
AKA9458JXA	AK9458J	RS64C2E-CAA	6	AW5522		CRC1-0175-PFV	5
AKA9458JXD	AK9458J	RS64C2E-IAV	6	AW5524		CRD1-0200-PFV	5
AKA9462EXD	AK9462E	RS64C2E-IAV	6	AW5528		CRF2-0250-PFV	5
AKA9462ZXA	AK9462Z	RS64C2E-CAA	6	AW5530		CRF2-0250-PFV	5
AKA9462ZXD	AK9462Z	RS64C2E-IAV	6	AW5532		CR33KQ-PFV	5
AKA9466JXA	AK9466J	RS80C2E-CAA	6	AWA2440ZXA		No Replacement	
AKA9466JXD	AK9466J	RS80C2E-CAV	6	AWA2440ZXD		AFJ37C1E-CFV	
AKA9474JXD	AK9474J	RS86C2E-PFV	6	AWA2440ZXT		CF04K6E-TF5	
AP3311		ARE27C3-IAA	5	AWA2460ZXD		CF06K6E-PFV	
AP4111		ARE25C3-SAA	5	AWA2460ZXT		CF06K6E-TF5	
AP43		ARE27C3-IAA	5	AWA7512ZXD		CS12K6E-PFV	
AR43		ARE27C3-IAA	5	AWA7512ZXT		CS12K6E-TF5	
AT34		ARE27C3-IAA	5	AWA7515ZXD		CS14K6E-PFV	

5. Single phase model listed only; other voltages may be available.

6. "Old" competitive models are not listed in the Compressor Data section. Suggested replacement is based on current competitive model.

*Designates any letter or number.

Tecumseh to Copeland® Brand Quick Reference

Tecumseh Model	Old Tecumseh Model	Copeland® Brand Replacement Model	Notes	Tecumseh Model	Old Tecumseh Model	Copeland® Brand Replacement Model	Notes
AWF5524EXG		CRD1-0200-TFD		CL31Y14		CR37KQ-PFV	5
AWF5524EXT		CRD1-0200-TF5		CL32ZA14		CR37KQ-PFV	5
AWF5530EXG		CRF1-0250-TFD		CL36ZC14		CR41KQ-PFV	5
AWF5530EXT		CRF1-0250-TF5		CL41ZA17		CR47KQ-PFV	5
AWG4520EXN		CRC1-0175-PFV		CL51ZH17		CRP5-0450-PFV	5
AWG4524EXN		CRD1-0200-PFV		CL5538E		CR37KQ-PFV	5
AWG5519EXN		CRB1-0175-PFV		CL5544G		CR41KQ-PFV	5
AWG5520EXT		CRC1-0175-TF5		CL5550E		CR47KQ-PFV	5
AWG5524EXN		CRD1-0200-PFV		CL5562E		CRP5-0450-PFV	5
AWG5524EXT		CRD1-0200-TF5		JA150		CRA1-0150-PFV	5
AWG5528EXN		CRE2-0225-PFV		JE300		CR34KQ-PFV	5
AWG5530EXN		CRF2-0250-PFV		PFB400		CR47KQ-PFV	5
B02A		CRD1-0200-PFV	5	PFB403		CR47KQ-PFV	5
B02B		CRE2-0225-PFV	5	PFB500		CRN5-0500-PFV	5
B1516		RR12K1-PFV	5	PFB503		CRN5-0500-PFV	5
B1616		RS70C1E-PFV	5	PJE300		CR37KQ-PFV	5
B1T16		RR10K2E-CAA	5	RK5480		ART82C1-CAA	5
B21T18		CRC1-0175-PFV	5	RK5513		RR12K1-PFV	5
B21U18		CRD1-0200-PFV	5	RK5515		RR14K1-PFV	5
B2513		ART51C1-IAA	5	RK5518		CRA1-0150-PFV	5
B2516		RS40C2E-IAA	5	S1 N14		ARE37C3-IAA	5
B32P16		CRA1-0150-PFV	5	S2S16		ART51C1-IAA	5
B74P18		CRA1-0150-PFV	5	S3N16		ARE41C3-IAA	5
B74T16		CRB1-0175-PFV	5	S4414		ARE25C3-SAA	5
B7616		RR81C2E-IAA	5	S4416		ARE27C3-IAA	5
B8413		ART69C1-IAA	5	S7N16		ART69C1-IAA	5
BB5512E		RR12K1-PFV	5	S7R16		ART82C1-CAA	5
C14		ARE37C3-IAA	5				
C2513		ART51C1-IAA	5				
C2516		RS40C2E-IAA	5				
C3311		ARE27C3-IAA	5				
C34		ARE27C3-IAA	5				
C3N16		ARE41C3-IAA	5				
C41		ARE25C3-SAA	5				
C4111		ARE25C3-SAA	5				
C43		ARE27C3-IAA	5				
C4414		ARE25C3-SAA	5				
C4416		ARE27C3-IAA	5				
C4C		ARE25C3-SAA	5				
C4J34		ARE37C3-IAA	5				
C5540E		CR37KQ-PFV	5				
C7616		RR81C2E-IAA	5				
C7P16		RS54C2E-IAA	5				
CAJ2612		ART51C1-IAA	5				
CAJ2P		ART51C1-IAA	5				
CAJR13		RR81C2E-IAA	5				
CAT3512		ARE41C3-IAA	5				
CAT3J12		ARE41C3-IAA	5				
CL26X12		CRF2-0250-PFV	5				

5. Single phase model listed only; other voltages may be available.

*Designates any letter or number.

Bristol to Copeland® Brand Quick Reference

Bristol Model	New Bristol Model	Copeland® Brand Replacement Model	Notes	Bristol Model	New Bristol Model	Copeland® Brand Replacement Model	Notes
H10A253BBC*		CS20K6E-PFV		H20R483ABC*		CR47KQ-PFV	
H10B103BBC*		ARJ84C1-IAV		H20R483DBE*		CR47KQ-TFD	
H10B123BBC*		ARJ11K1E-IAV		H20R483DBL*		CR47KQ-TF5	
H10B183BBC*		CS14K6E-PFV		H20R513ABC*		CR47KQ-PFV	
H10B612EBA*		ART51C1-IAA		H20R583ABC*		CRP5-0450-PFV	
H10B612EBC*		ART51C1-IAV		H20R583DBE*		CRP5-0450-TFD	
H10H302*		ARE27C3E-IAA	5	H20R583DBL*		CRP5-0450-TF5	
H10H382*		ARE27C3-IAA	5	H20R603ABC*		CRN5-0500-PFV	
H13A253BBC*		CS20K6E-PFV		H20R603DBE*		CRP5-0450-TFD	
H13A343BBC*		CS27K3E-PFV		H20R603DBL*		CRP5-0450-TF5	
H13A393BBC*		CS33K3E-PFV		H21A273*		CRE2-0225-PFV	5
H13A393DBE*		CS33K3E-TFD		H21A293*		CRE2-0225-PFV	5
H13A393DBL*		CS33K3E-TF5		H21A313ABC*		CR33KQ-PFV	
H1NB113ABA*		ARJ84C1-IAA		H21A313DBE*		CR33KQ-TFD	
H20A303*		CRF2-0250-PFV	5	H21A313DBL*		CR33KQ-TF5	
H20A323*		CRF2-0250-PFV	5	H21A343ABC*		CR34KQ-PFV	
H20A343*		CR33KQ-PFV	5	H21A343DBE*		CR34KQ-TFD	
H20A353*		CR34KQ-PFV	5	H21A343DBL*		CR34KQ-TF5	
H20A403*		CR37KQ-PFV	5	H21A373ABC*		CR37KQ-PFV	
H20B153ABC*		CR16K6-PFV		H21A373DBE*		CR37KQ-TFD	
H20B173ABC*		CR16K6-PFV		H21A373DBL*		CR37KQ-TF5	
H20B193ABC*		CRA1-0150-PFV		H21A413ABC*		CR41KQ-PFV	
H20B203ABC*		CRB1-0175-PFV		H21A413DBE*		CR41KQ-TFD	
H20B213*		CRB1-0175-PFV	5	H21A413DBL*		CR41KQ-TF5	
H20B223*		CRC1-0175-PFV	5	H21A463ABC*		CR47KQ-PFV	
H20B243ABC*		CRC1-0175-PFV		H21A463DBE*		CR47KQ-TFD	
H20B263*		CRD1-0200-PFV	5	H21A463DBL*		CR47KQ-TF5	
H20B283ABC*		CRE2-0225-PFV		H21B133ABC*		RR12K1-PFV	
H20B293*		CRE2-0225-PFV	5	H21B153*		RR14K1-PFV	5
H20B313*		CRF2-0250-PFV	5	H21B173*		CRA1-0150-PFV	5
H20C233ABC*		CRC1-0175-PFV		H21B193*		CRA1-0150-PFV	5
H20C303ABC*		CRF2-0250-PFV		H21B203*		CRB1-0175-PFV	5
H20C343ABC*		CR34KQ-PFV		H21B223ABC*		CRB1-0175-PFV	
H20C343DBE*		CR34KQ-TFD		H21B243*		CRD1-0200-PFV	5
H20C343DBL*		CR34KQ-TF5		H21B263ABC*		CRE2-0225-PFV	
H20C373ABC*		CR37KQ-PFV		H21B273*		CRE2-0225-PFV	5
H20C373DBE*		CR37KQ-TFD		H21B283*		CRE2-0225-PFV	5
H20C373DBL*		CR37KQ-TF5		H21B293*		CRF2-0250-PFV	5
H20C403ABC*		CR41KQ-PFV		H21C463*		CR47KQ-PFV	5
H20C403DBE*		CR41KQ-TFD		H21C533*		CR47KQ-PFV	5
H20C403DBL*		CR41KQ-TF5		H21C613*		CRP5-0450-PFV	5
H20C423ABC*		CR41KQ-PFV		H21C683*		CRN5-0500-PFV	5
H20C423DBE*		CR41KQ-TFD		H21R453ABC*		CR47KQ-PFV	
H20C423DBL*		CR41KQ-TF5		H21R453DBE*		CR47KQ-TFD	
H20C453*		CR41KQ-PFV	5	H21R453DBL*		CR47KQ-TF5	
H20C523*		CR53KQ-PFV	5	H21R483CBC*		CR47KQ-PFV	
H20R453ABC*		CR47KQ-PFV		H21R483DBE*		CR47KQ-TFD	
H20R453DBE*		CR47KQ-TFD		H21R483DBL*		CR47KQ-TF5	
H20R453DBL*		CR47KQ-TF5		H21R513DBE*		CR47KQ-TFD	

5. Single phase model listed only; other voltages may be available.

*Designates any letter or number.

Bristol to Copeland® Brand Quick Reference

Bristol Model	New Bristol Model	Copeland® Brand Replacement Model	Notes	Bristol Model	New Bristol Model	Copeland® Brand Replacement Model	Notes
H21R513DBL*		CR47KQ-TF5		H23A463DBE*		CR47KQ-TFD	
H21R583CBC*		CRP5-0450-PFV		H23A463DBL*		CR47KQ-TF5	
H21R583DBE*		CRP5-0450-TFD		H23A46QABC*		CR47KQ-PFV	
H21R583DBL*		CRP5-0450-TF5		H23A46QDBE*		CR47KQ-TFD	
H21R603CBC*		CRN5-0500-PFV		H23A46QDBL*		CR47KQ-TF5	
H21R603DBE*		CRN5-0500-TFD		H23A503ABC*		CR47KQ-PFV	
H21R603DBL*		CRN5-0500-TF5		H23A503DBE*		CR47KQ-TFD	
H22A273*		CRE2-0225-PFV	5	H23A503DBL*		CR47KQ-TF5	
H22A293*		CRF2-0250-PFV	5	H23A50QABC*		CR53KQ-PFV	
H22A313*		CRF2-0250-PFV	5	H23A50QDBE*		CR47KQ-TFD	
H22A353*		CR34KQ-PFV	5	H23A50QDBL*		CR47KQ-TF5	
H22A383*		CR37KQ-PFV	5	H23A543ABC*		CR53KQ-PFV	
H22A423*		CR41KQ-PFV	5	H23A543DBE*		CR53KQ-TFD	
H22B153*		RR14K1-PFV	5	H23A543DBL*		CR53KQ-TF5	
H22B173*		CRA1-0150-PFV	5	H23A54QDBE*		CR53KQ-TFD	
H22B193*		CRA1-0150-PFV	5	H23A54QDBL*		CR53KQ-TF5	
H22B233*		CRC1-0175-PFV	5	H23A563DBE*		CRT5-0450-TFD	
H22B253*		CRD1-0200-PFV	5	H23A563DBL*		CRT5-0450-TF5	
H22C563*		CR53KQPFV	5	H23A56QDBE*		CRT5-0450-TFD	
H22C613*		CRN5-0500-PFV	5	H23A56QDBL*		CRT5-0450-TF5	
H23A263ABC*		CRE2-0225-PFV		H23A623ABC*		CRN5-0500-PFV	
H23A263DBE*		CRE1-0225-TFD		H23A623DBE*		CRN5-0500-TFD	
H23A263DBL*		CRE1-0225-TF5		H23A623DBL*		CRN5-0500-TF5	
H23A283ABC*		CRE2-0225-PFV		H23A62QABC*		CRN5-0500-PFV	
H23A303ABC*		CRF2-0250-PFV		H23A62QDBE*		CRP5-0450-TFD	
H23A303DBE*		CRF1-0250-TFD		H23A62QDBL*		CRP5-0450-TF5	
H23A303DBL*		CRF1-0250-TF5		H23B153ABC*		CR16K6-PFV	
H23A323ABC*		CR33KQ-PFV		H23B15QABC*		CR16K6-PFV	
H23A323DBE*		CR33KQ-TFD		H23B15SABC*		CR16K6-PFV	
H23A323DBL*		CR33KQ-TF5		H23B16SABC*		CR16K6-PFV	
H23A353ABC*		CR34KQ-PFV		H23B173ABC*		CR16K6-PFV	
H23A353DBE*		CR34KQ-TFD		H23B17QABC*		CR16K6-PFV	
H23A353DBL*		CR34KQ-TF5		H23B17SABC*		CR16K6-PFV	
H23A35QABC*		CR34KQ-PFV		H23B18SABC*		CRA1-0150-PFV	
H23A35QDBE*		CR34KQ-TFD		H23B193ABC*		CRA1-0150-PFV	
H23A35QDBL*		CR34KQ-TF5		H23B19QABC*		CRA1-0150-PFV	
H23A36QABC*		CR37KQ-PFV		H23B203ABC*		CRB1-0175-PFV	
H23A383ABC*		CR37KQ-PFV		H23B20QABC*		CRB1-0175-PFV	
H23A383DBE*		CR37KQ-TFD		H23B20QDBL*		CRC1-0175-TF5	
H23A383DBL*		CR37KQ-TF5		H23B20SABC*		CRB1-0175-PFV	
H23A38QDBE*		CR37KQ-TFD		H23B223ABC*		CRC1-0175-PFV	
H23A38QDBL*		CR37KQ-TF5		H23B223DBL*		CRC1-0175-TF5	
H23A423ABC*		CR41KQ-PFV		H23B22QABC*		CRC1-0175-PFV	
H23A423DBE*		CR41KQ-TFD		H23B22QDBL*		CRC1-0175-TF5	
H23A423DBL*		CR41KQ-TF5		H23B22SABC*		CRC1-0175-PFV	
H23A42QABC*		CR41KQ-PFV		H23B243ABC*		CRD1-0200-PFV	
H23A42QDBE*		CR41KQ-TFD		H23B24QABC*		CRD1-0200-PFV	
H23A42QDBL*		CR41KQ-TF5		H23B24QDBE*		CRD1-0200-TFD	
H23A463ABC*		CR47KQ-PFV		H23B24QDBL*		CRD1-0200-TF5	

5. Single phase model listed only; other voltages may be available.

*Designates any letter or number.

Bristol to Copeland® Brand Quick Reference

Bristol Model	New Bristol Model	Copeland® Brand Replacement Model	Notes	Bristol Model	New Bristol Model	Copeland® Brand Replacement Model	Notes
H23B24SABC*		CRD1-0200-PFV		H24B26QABC*		CRE2-0225-PFV	
H23B263ABC*		CRE2-0225-PFV		H24B283ABC*		CRF2-0250-PFV	
H23B26QABC*		CRE2-0225-PFV		H24B28QABC*		CRE2-0225-PFV	
H23B26QDBE*		CRE1-0225-TFD		H24B29QABC*		CRF2-0250-PFV	
H23B26QDBL*		CRE1-0225-TF5		H24B30QABC*		CRF2-0250-PFV	
H23B26SABC*		CRE2-0225-PFV		H25A32QCBC*		CR33KQ-PFV	
H23B283ABC*		CRF2-0250-PFV		H25A32QDBE*		CR33KQ-TFD	
H23B283DBE*		CRF1-0250-TFD		H25A32QDBL*		CR33KQ-TF5	
H23B283DBL*		CRF1-0250-TF5		H25A35QCBC*		CR34KQ-PFV	
H23B28QABC*		CRF2-0250-PFV		H25A35QDBE*		CR34KQ-TFD	
H23B28QDBE*		CRE1-0225-TFD		H25A35QDBL*		CR34KQ-TF5	
H23B28QDBL*		CRE1-0225-TF5		H25A38QCBC*		CR37KQ-PFV	
H23B28SABC*		CRF2-0250-PFV		H25A38QDBE*		CR37KQ-TFD	
H23B303ABC*		CRF2-0250-PFV		H25A38QDBL*		CR37KQ-TF5	
H23B30QABC*		CRF2-0250-PFV		H25A42QCBC*		CR41KQ-PFV	
H23B30QDBE*		CRF1-0250-TFD		H25A42QDBE*		CR41KQ-TFD	
H23B30QDBL*		CRF1-0250-TF5		H25A42QDBL*		CR41KQ-TF5	
H23B30SABC*		CRF2-0250-PFV		H25A46QCBC*		CR47KQ-PFV	
H23B323ABC*		CR33KQ-PFV		H25A46QDBE*		CR47KQ-TFD	
H23B323DBE*		CR33KQ-TFD		H25A46QDBL*		CR47KQ-TF5	
H23B323DBL*		CR33KQ-TF5		H25A50QCBC*		CR47KQ-PFV	
H23B32QABC*		CR33KQ-PFV		H25A50QDBE*		CR47KQ-TFD	
H23B32QDBE*		CR33KQ-TFD		H25A50QDBL*		CR47KQ-TF5	
H23B32QDBL*		CR33KQ-TF5		H25A54QCBC*		CR53KQ-PFV	
H23B32SABC*		CR33KQ-PFV		H25A54QDBE*		CR53KQ-TFD	
H23B33SABC*		CR33KQ-PFV		H25A54QDBL*		CR53KQ-TF5	
H23B35QDBE*		CR34KQ-TFD		H25A563DBE*		CRT5-0450-TFD	
H23B35QDBL*		CR34KQ-TF5		H25A563DBL*		CRT5-0450-TF5	
H23B35SABC*		CR34KQ-PFV		H25A56QDBE*		CRT5-0450-TFD	
H24A383ABC*		CR41KQ-PFV		H25A56QDBL*		CRT5-0450-TF5	
H24A383DBE*		CR41KQ-TFD		H25A62QCBC*		CRN5-0500-PFV	
H24A383DBL*		CR41KQ-TF5		H25A62QDBE*		CRN5-0500-TFD	
H24A423ABC*		CR41KQ-PFV		H25A62QDBL*		CRN5-0500-TF5	
H24A423DBE*		CR41KQ-TFD		H25B15QABC*		CR16K6-PFV	
H24A423DBL*		CR41KQ-TF5		H25B17QABC*		CR16K6-PFV	
H24B13QABC*		RR12K1-PFV		H25B18QABC*		CRA1-0150-PFV	
H24B153ABC*		CR16K6-PFV		H25B20QABC*		CRB1-0175-PFV	
H24B15QABC*		CR16K6-PFV		H25B22QABC*		CRC1-0175-PFV	
H24B17QABC*		CR16K6-PFV		H25B22QDBL*		CRC1-0175-TF5	
H24B17QDBL*		CRA1-0150-TF5		H25B24QABC*		CRD1-0200-PFV	
H24B183ABC*		CRA1-0150-PFV		H25B24QDBE*		CRD1-0200-TFD	
H24B19QABC*		CRB1-0175-PFV		H25B24QDBL*		CRD1-0200-TF5	
H24B203ABC*		CRB1-0175-PFV		H25B26QABC*		CRE2-0225-PFV	
H24B20QABC*		CRB1-0175-PFV		H25B28QABC*		CRF2-0250-PFV	
H24B21QABC*		CRB1-0175-PFV		H25B28QDBE*		CRF1-0250-TFD	
H24B223ABC*		CRC1-0175-PFV		H25B28QDBL*		CRF1-0250-TF5	
H24B22QABC*		CRC1-0175-PFV		H25B30QABC*		CRF2-0250-PFV	
H24B24QABC*		CRC1-0175-PFV		H25B30QDBE*		CRF1-0250-TFD	
H24B263ABC*		CRE2-0225-PFV		H25B30QDBL*		CRF1-0250-TF5	

*Designates any letter or number.

Bristol to Copeland® Brand Quick Reference

Bristol Model	New Bristol Model	Copeland® Brand Replacement Model	Notes	Bristol Model	New Bristol Model	Copeland® Brand Replacement Model	Notes
H25B32QABC*		CR33KQ-PFV		H27A42QCBC*		CR41KQ-PFV	
H25B32QDBE*		CR33KQ-TFD		H27A42QDBE*		CR41KQ-TFD	
H25B32QDBL*		CR33KQ-TF5		H27A42QDBL*		CR41KQ-TF5	
H25B35QABC*		CR36KQ-PFV		H27A46QCBC*		CR47KQ-PFV	
H25B35QDBE*		CR34KQ-TFD		H27A46QDBE*		CR47KQ-TFD	
H25B35QDBL*		CR34KQ-TF5		H27A46QDBL*		CR47KQ-TF5	
H26A32QCBC*		CRF2-0250-PFV		H27A50QCBC*		CR47KQ-PFV	
H26A32QDBE*		CR33KQ-TFD		H27A50QDBE*		CR47KQ-TFD	
H26A32QDBL*		CR33KQ-TF5		H27A50QDBL*		CR47KQ-TF5	
H26A35QCBC*		CR36KQ-PFV		H27A54QCBC*		CR53KQ-PFV	
H26A35QDBE*		CR36KQ-TFD		H27A54QDBE*		CR53KQ-TFD	
H26A35QDBL*		CR36KQ-TF5		H27A54QDBL*		CR53KQ-TF5	
H26A38QCBC*		CR37KQ-PFV		H27A56QCBC*		CRP5-0450-PFV	
H26A38QDBE*		CR37KQ-TFD		H27A56QDBE*		CRP5-0450-TFD	
H26A38QDBL*		CR37KQ-TF5		H27A56QDBL*		CRP5-0450-TF5	
H26A42QCBC*		CR41KQ-PFV		H27A62QCBC*		CRN5-0500-PFV	
H26A42QDBE*		CR41KQ-TFD		H27A62QDBE*		CRN5-0500-TFD	
H26A42QDBL*		CR41KQ-TF5		H27A62QDBL*		CRN5-0500-TF5	
H26A46QDBE*		CR47KQ-TFD		H27B15QCBC*		CR16K6-PFV	
H26A46QDBL*		CR47KQ-TF5		H27B17QCBC*		CRA1-0150-PFV	
H26A50QCBC*		CR47KQ-PFV		H27B18QCBC*		CRA1-0150-PFV	
H26A50QDBE*		CR47KQ-TFD		H27B20QCBC*		CRC1-0175-PFV	
H26A50QDBL*		CR47KQ-TF5		H27B22QCBC*		CRC1-0175-PFV	
H26A54QDBE*		CR53KQ-TFD		H27B24QCBC*		CRD1-0200-PFV	
H26A54QDBL*		CR53KQ-TF5		H27B26QCBC*		CRE2-0225-PFV	
H26A56QDBE*		CRT5-0450-TFD		H27B30QCBC*		CRF2-0250-PFV	
H26A56QDBL*		CRT5-0450-TF5		H27B32QCBC*		CR33KQ-PFV	
H26A62QDBE*		CRN5-0500-TFD		H27B35QCBC*		CR34KQ-PFV	
H26A62QDBL*		CRN5-0500-TF5		H29B15UABC*		CR16K6-PFV	
H26B15QCBC*		CR16K6-PFV		H29B16UABC*		CR16K6-PFV	
H26B17QCBC*		CR16K6-PFV		H29B17UABC*		CR16K6-PFV	
H26B18QCBC*		CRA1-0150-PFV		H29B18UABC*		CRA1-0150-PFV	
H26B20QCBC*		CRB1-0175-PFV		H29B20UABC*		CRB1-0175-PFV	
H26B22QCBC*		CRC1-0175-PFV		H29B22UABC*		CRC1-0175-PFV	
H26B24QCBC*		CRD1-0200-PFV		H29B22UDBL*		CRC1-0175-TF5	
H26B26QCBC*		CRE2-0225-PFV		H29B24UABC*		CRD1-0200-PFV	
H26B28QCBC*		CRF2-0250-PFV		H29B24UDBE*		CRD1-0200-TFD	
H26B28QCBC*		CRF2-0250-PFV		H29B24UDBL*		CRD1-0200-TF5	
H26B30QCBC*		CRF2-0250-PFV		H29B26UABC*		CRE2-0225-PFV	
H27A28QCBC*		CRF2-0250-PFV		H29B26UDBE*		CRE1-0225-TFD	
H27A32QCBC*		CR33KQ-PFV		H29B26UDBL*		CRE1-0225-TF5	
H27A32QDBE*		CR33KQ-TFD		H29B28UABC*		CRF2-0250-PFV	
H27A32QDBL*		CR33KQ-TF5		H29B28UDBE*		CRE1-0225-TFD	
H27A35QCBC*		CR36KQ-PFV		H29B28UDBL*		CRE1-0225-TF5	
H27A35QDBE*		CR36KQ-TFD		H29B30UABC*		CRF2-0250-PFV	
H27A35QDBL*		CR36KQ-TF5		H29B30UDBE*		CRF1-0250-TFD	
H27A38QCBC*		CR37KQ-PFV		H29B30UDBL*		CRF1-0250-TF5	
H27A38QDBE*		CR37KQ-TFD		H29B32UABC*		CR33KQ-PFV	
H27A38QDBL*		CR37KQ-TF5		H29B32UDBE*		CR33KQ-TFD	

*Designates any letter or number.

Bristol to Copeland® Brand Quick Reference

Bristol Model	New Bristol Model	Copeland® Brand Replacement Model	Notes	Bristol Model	New Bristol Model	Copeland® Brand Replacement Model	Notes
H29B32UDBL*		CR33KQ-TF5		M13A163BBC*		CS33K3E-PFV	
H29B33UABC*		CR33KQ-PFV		M13A163BBC*		CS33K3E-PFV	
H29B33UDBE*		CR33KQ-TFD		M13A163DBL*		CS33K3E-TF5	
H29B33UDBL*		CR33KQ-TF5		M1N802BBC*		CS14K6E-PFV	
H29B35UABC*		CR36KQ-PFV		M1NB642EBC*		CS12K6E-PFV	
H29B35UDBE*		CR34KQ-TFD		M1NB802BBC*		CS14K6E-PFV	
H29B35UDBL*		CR34KQ-TF5		M1NB922BBC*		CS18K6E-PFV	
H2EA193*		CRA1-0150-PFV	5	M1NB922DBL*		CS14K6E-TF5	
H2EA223*		CRB1-0175-PFV	5	M50A273BBC*		CS27K3E-PFV	
H2EA253*		CRD1-0200-PFV	5	M50A273DBD*		CS27K3E-TF5	
H2EA293*		CRE2-0225-PFV	5	M50B103BBC*		CS12K6E-PFV	
H2EA333*		CR33KQ-PFV	5	M61B123BBC*	M51B123BBC*	CS14K6E-PFV	7
H2EA363*		CR34KQ-PFV	5	M61B123DBE*	M51B123DBE*	CS14K6E-TFD	7
H2EA413*		CR41KQ-PFV	5	M61B123DBL*	M51B123DBL*	CS14K6E-TF5	7
H2EC483*		CR47KQ-PFV	5	M61B143BBC*	M51B143BBC*	CS18K6E-PFV	7
L10H112*		ARE27C3-SAA	5	M61B143DBE*	M51B143DBE*	CS14K6E-TFD	7
L10H132*		ARE37C3-IAA	5	M61B143DBL*	M51B143DBL*	CS14K6E-TF5	7
L1NB262EBA*		AFJ23C1-IAA		M51B163BBC*		CS18K6E-PFV	
L51652DBD*		CS18K6E-TF5		M51B542BBA*		RS55C2E-CAA	
L51652DBE*		CS18K6E-TFD		M51B872BBC*		CS10K6E-PFV	
L51B452BBC*		CS12K6E-PFV		M51B872DBL*		CS10K6E-TF5	
L51B562BBC*		CS14K6E-PFV		M52B123BBC*		CS14K6E-PFV	
L51B562DBE*		CS14K6E-TFD		M52B143BBC*		CS14K6E-PFV	
L51B562DBL*		CS14K6E-TF5		M53A223BBC*		CS27K3E-PFV	
L51B652BBC*		CS18K6E-PFV		M63A273BBC*	M53A273BBC*	CS27K3E-PFV	7
L51B652DBD		CS18K6E-TF5		M63A273DBD*	M53A273DBD*	CS27K3E-TF5	7
L51B652DBE*		CS18K6E-TFD		M63A273DBE*	M53A273DBE*	CS27K3E-TFD	7
L51B752BBC*		CF06K6E-PFV		M53A27DBD*		CS27K3E-TF5	
L51B752DBL*		CF06K6E-TF5		M53A27DBE*		CS27K3E-TFD	
L53A113BBC*		CF09K6E-PFV		M53A303BBC*		CS33K3E-PFV	
L53A113DBE*		CF09K6E-TFD		M53A303DBL*		CS33K3E-TF5	
L53A113DBL*		CF09K6E-TF5		M53B103BBC*		CS12K6E-PFV	
L61B452BBC*		CS12K6E-PFV		M53B143BBC*		CS14K6E-PFV	
L61B562DBE*		CS14K6E-TFD		M53B143DBD*		CS14K6E-TF5	
L61B562DBL*		CS14K6E-TF5		M53B163BBC*		CS18K6E-PFV	
L61B652BBC*		CS18K6E-PFV		M53B203BBC*		CS20K6E-PFV	
L61B652DBD*		CS18K6E-TF5		M53B203DBD*		CS20K6E-TF5	
L61B652DBE*		CS18K6E-TFD		M53B982BBC*		CS10K6E-PFV	
L61B752BBC*		CF06K6E-PFV		M65972BBC*		CS10K6E-PFV	
L61B752DBL*		CF06K6E-TF5		M65B133BBC*		CS14K6E-PFV	
L63A113BBC*		CF09K6E-PFV		M65B163BBC*		CS18K6E-PFV	
L63A113DBE*		CF09K6E-TFD		M65B163DBE*		CS18K6E-TFD	
L63A113DBL*		CF09K6E-TF5		M65B163DBL*		CS18K6E-TF5	
M10A153DBE*		CS27K3E-TFD		M65B203BBC*		CS20K6E-PFV	
M10A163BBC*		CS33K3E-PFV		M65B203DBL*		CS20K6E-TF5	
M10A163DBL*		CS27K3E-TF5		M66A323BBC*		CS33K3E-PFV	
M13A113BBC*		CS20K6E-PFV		M66A323DBE*		CS33K3E-TFD	
M13A113DBL*		CS20K6E-TF5		M66A323DBL*		CS33K3E-TF5	
M13A143BBC*		CS27K3E-PFV					

5. Single phase model listed only; other voltages may be available.

7. No compressor data is available for the new Bristol model. Refer to the old Bristol model for the compressor data. Emerson Climate Technologies, Inc. is not responsible for significant changes in competitive performance changes.

*Designates any letter or number.

Americold to Copeland® Brand Quick Reference

Americold Model Number	Copeland® Brand Replacement Model	Notes
AYL25	ARE27C3-SAA	5
C310	CRF2-0250-PFV	5
C375	CR37KQ-PFV	5
C435	CR41KQ-PFV	5
C510	CR47KQ-PFV	5
CH25	ARE27C3-IAA	5
CH25V	ARE27C3-IAA	5
CH286TA	RR12K1-PFV	5
CH310TA	RR12K1-PFV	5
CH325TA	RS70C1E-PFV	5
CH33	ARE37C3-IAA	5
CH350TA	RR14K1-PFV	5
CH383TA	CRA1-0150-PFV	5
CH386TA	RR16K1-PFV	5
CH400TA	CRA1-0150-PFV	5
CH420TA	CRB1-0175-PFV	5
CH455TA	CRB1-0175-PFV	5
CH470TA	CRC1-0175-PFV	5
CH490TA	CRD1-0200-PFV	5
CH565TA	CRD1-0200-PFV	5
CL25	ARE37C3-IAA	5
CL33	ARE41C3-IAA	5
E195	CRB1-0175-PFV	5
E225	CRC1-0175-PFV	5
E245	CRD1-0200-PFV	5
E275	CRE2-0225-PFV	5
E315	CRF2-0250-PFV	5
E340	CR33KQ-PFV	5
E360	CR34KQ-PFV	5
E400	CR37KQ-PFV	5
EH75	RR82C2E-IAA	5
H200TA	CRD1-0200-PFV	5
H25	ARE27C3-IAA	5
H33	ARE37C3-IAA	5
H45	ART51C1-IAA	5
H490TA	CRC1-0175-PFV	5
H50	ART62C1-IAA	5
H75A	ART82C1-CAA	5
H75T	RR82C2E-IAA	5

Americold Model Number	Copeland® Brand Replacement Model	Notes
L25	ARE37C3-IAA	5
L25V	ARE27C3-SAA	5
L33	ARE41C3-IAA	5
M50T	RS40C2E-IAA	5
TCH443TA	CRB1-0175-PFV	5
YCH1020TA	CR47KQ-PFV	5
YCH1132TA	CR47KQ-PFV	5
YCH176VA	ART69C1-IAA	5
YCH204VA	ART82C1-CAA	5
YCH213VA	ART97C1-PAA	5
YCH232VA	ART97C1-PAA	5
YCH250VA	ART97C1-PAA	5
YCH25V	ARE27C3-IAA	5
YCH310VA	RS70C1E-PFV	5
YCH33	ARE37C3-IAA	5
YCH34	ARE37C3-IAA	5
YCH506TA	CRC1-0175-PFV	5
YCH540TA	CRD1-0200-PFV	5
YCH607TA	CRE2-0225-PFV	5
YCH698TA	CRF2-0250-PFV	5
YCH725TA	CRF2-0250-PFV	5
YCH830TA	CR34KQ-PFV	5
YCH860TA	CR37KQ-PFV	5
YCH932TA	CR41KQ-PFV	5
YCH983TA	CR41KQ-PFV	5
YCL25V	ARE27C3-SAA	5
YCL33V	ARE41C3-IAA	5
YH1132TA	CR47KQ-PFV	5
YH25V	ARE27C3-IAA	5
YH33	ARE37C3-IAA	5
YH45	ARE41C3-IAA	5
YH50	ART51C1-IAA	5
YH725TA	CRF2-0250-PFV	5
YH75	RR82C2E-IAA	5
YH860TA	CR37KQ-PFV	5
YH983TA	CR41KQ-PFV	5
YL33V	ARE41C3-IAA	5
YM50V	RS40C2E-IAA	5

5. Single phase model listed only; other voltages may be available.

Aspera to Copeland® Brand Quick Reference

Aspera Model Number	Copeland® Brand Replacement Model	Notes
A1085A	ARB10C3-SAA	5
A1111A	ARB13C3-SAA	5
A1116A	ARE25C3-SAA	5
A1544A	ARB17C3-SAA	5
A5132A	ARB10C3-SAA	5
A5160A	ARE25C3-SAA	5
A5170A	ARE25C3-SAA	5
E3121A	ARE37C3-IAA	5
E3130A	ARE41C3-IAA	5
E4130A	ARE41C3-IAA	5
E5170A	ARE27C3-SAA	5
E5187A	ARE37C3-SAA	5
H7246E	CRC1-0175-PFV	5
H7250E	CRD1-0200-PFV	5
H7257E	CRE2-0225-PFV	5
H7265E	CRF2-0250-PFV	5
H7283E	CR37KQ-PFV	5
J6226A	RR10K2E-CAA	5
J7225E	ART97C1-PAA	5
J7231E	RR12K1-PFV	5
J7238E	RR16K1-PFV	5
J7240E	RR17K1-PFV	5
JG220A	RR82C1E-IAA	5
T4134	AFT12C1-IAA	5
T6213A	ART51C1-IAA	5
T6215A	ART62C1-IAA	5
T7220G	ART82C1-CAA	5
T7223G	ART97C1-PAA	5

5. Single phase model listed only; other voltages may be available.

Carrier to Copeland® Brand Quick Reference

Carrier Model Number	Copeland® Brand Replacement Model	Notes
J*22	CRC1-0175-PFV	5
J*25	CRD1-0200-PFV	5
J*28	CRE2-0225-PFV	5
J*30	CRE2-0225-PFV	5
J*33	CR33KQ-PFV	5
J*36	CR34KQ-PFV	5
J*39	CR37KQ-PFV	5
J*42	CR41KQ-PFV	5
J*45	CR41KQ-PFV	5
J*48	CR47KQ-PFV	5
J*51	CR47KQ-PFV	5
M*20	CRA1-0150-PFV	5
M*23	CRC1-0175-PFV	5
M*24	CRD1-0200-PFV	5
M*27	CRD1-0200-PFV	5
M*30	CRF2-0250-PFV	5
M*32	CRF2-0250-PFV	5
M*34	CR33KQ-PFV	5
M*35	CR34KQ-PFV	5
M*40	CR37KQ-PFV	5
M*42	CR41KQ-PFV	5
P*46	CR41KQ-PFV	5
P*50	CR53KQ-PFV	5
P*53	CR53KQ-PFV	5
P*60	CRN5-0500-PFV	5
P*64	CRN5-0500-PFV	5
P*67	CRN5-0500-PFV	5
PY4666	CR41KQ-PFV	5
R*30	CRF2-0250-PFV	5
R*39*	CR37KQ-PFV	5
R*54	CR53KQ-PFV	5

Chrysler Airtemp to Copeland® Brand Quick Reference

Chrysler Airtemp Model Number	Copeland® Brand Replacement Model	Notes
2520	CRC1-0175-PFV	5
2522	CRD1-0200-PFV	5
2525	CRE2-0225-PFV	5
2532	CR34KQ-PFV	5
2536	CR41KQ-PFV	5
2539	CR41KQ-PFV	5
3002-3E02	CRF2-0250-PFV	5
3003-3E03	CR41KQ-PFV	5
3004-3E04	CR47KQ-PFV	5
3005-3E05	CRN5-0500-PFV	5

5. Single phase model listed only; other voltages may be available.

Lennox to Copeland® Brand Quick Reference

Lennox Model Number	Copeland® Brand Replacement Model	Notes
2A034A	CR34KQ-PFV	5
2A040A	CR41KQ-PFV	5
2A044A	CR47KQ-PFV	5
2A048A	CR47KQ-PFV	5
2A056A	CRP5-0450-PFV	5
2A058A	CRP5-0450-PFV	5
2A061A	CRN5-0500-PFV	5
2B034A	CR34KQ-PFV	5
2B038A	CR37KQ-PFV	5
2B040A	CR41KQ-PFV	5
2B044A	CR47KQ-PFV	5
2B048A	CR47KQ-PFV	5
2B056A	CRP5-0450-PFV	5
2B058A	CRP5-0450-PFV	5
2B061A	CRN5-0500-PFV	5
3A056A	CRP5-0450-PFV	5
3A058A	CRP5-0450-PFV	5

Maneurop to Copeland® Brand Quick Reference

Maneurop Model Number	Copeland® Brand Replacement Model	Notes
MT22JC	CRC1-0175-PFV	5
MT28JE	CRF2-0250-PFV	5
MT32JF	CR33KQ-PFV	5
MT36JG	CR37KQ-PFV	5
MT40JH	CR41KQ-PFV	5
MT44HJ	CR47KQ-PFV	5
MT50HK	CR47KQ-PFV	5
MT56HL	CRP5-0450-PFV	5
MT64HM	CRN5-0500-PFV	5
MT72HN	CRN5-0500-PFV	5
MT18JA	RR14K1-PFV	5

5. Single phase model listed only; other voltages may be available.

Trane to Copeland® Brand Quick Reference

Trane Model Number	Copeland® Brand Replacement Model	Notes
B*193*	CRA1-0150-PFV	5
B*223*	CRB1-0175-PFV	5
B*233*	CRC1-0175-PFV	5
B*253*	CRD1-0200-PFV	5
B*273*	CRD1-0200-PFV	5
B*283*	CRE2-0225-PFV	5
B*303*	CRF2-0250-PFV	5
B*323*	CRF2-0250-PFV	5
B*343*	CR33KQ-PFV	5
B*393*	CR37KQ-PFV	5
C*223*	CRB1-0175-PFV	5
CT 2	CRE2-0225-PFV	5
CT 20*	CRB1-0175-PFV	5
CT 22	CRB1-0175-PFV	5
CT 25*	CRD1-0200-PFV	5
CT 28*	CRE2-0225-PFV	5
CT 3	CR33KQ-PFV	5
CT 32*	CRF2-0250-PFV	5
CT 36*	CR34KQ-PFV	5
CT 40*	CR37KQ-PFV	5
F*323*	CRF2-0250-PFV	5
F*373*	CR34KQ-PFV	5
F*393*	CR37KQ-PFV	5
G*283*	CRE2-0225-PFV	5
G*303*	CRE2-0225-PFV	5
G*343*	CR33KQ-PFV	5
G*373*	CR34KQ-PFV	5
G*393*	CR37KQ-PFV	5
J*2*	CRE2-0225-PFV	5
J*3	CR34KQ-PFV	5
B*173*	RR14K1-PFV	5
CT 18*	RR14K1-PFV	5
B*143*	RS70C1E-PFV	5
CT 16*	RS70C1E-PFV	5

5. Single phase model listed only; other voltages may be available.

Wholesaler Notes

Wholesaler Notes

Bill of Material (BOM) Description

“A” BOM

All ‘A’ Models Except AFT* Models		
-901 <ul style="list-style-type: none"> • Replaces 908 • Electrical Components • Mounting Parts • Single Pack 	-902 <ul style="list-style-type: none"> • Replaces 918 • Electrical Components • Mounting Parts 	-959 <ul style="list-style-type: none"> • Replaces 958 • Electrical Components • Mounting Parts • Single Pack • Suction Valve
AFT* Models Only		
901/911 <ul style="list-style-type: none"> • Replaces 908 • Electrical Components • Mounting Parts • Single Pack • 4.0 x 7.5 Footprint (911) • 4.8 x 8.0 Footpring (901) 	902/912 <ul style="list-style-type: none"> • Replaces 918 • Electrical Components • Mounting Parts • 4.0 x 7.5 Footprint (912) • 4.8 x 8.0 Footprint (902) 	959/958 <ul style="list-style-type: none"> • Replaces 958 • Electrical Components • Mounting Parts • Single Pack • Suction Valve • 4.0 x 7.5 Footprint (958) • 4.8 x 8.0 Footprint (959)

“R” BOM

All ‘R’ Models			
-900 <ul style="list-style-type: none"> • Replaces 900 • Mounting Parts • Sweat Connections 	-908 <ul style="list-style-type: none"> • Replaces 908/909 • Electrical Components (mounted on IAA & IAV models; CAA & CAV models include capacitor & relay kit remote.) • Mounting Parts • Sweat Connections 	-959 <ul style="list-style-type: none"> • Replaces 950/958/959 • Electrical Components included except on TFC, TFD, TFE models (mounted on IAA & IAV models; CAA & CAV models include capacitor & relay kit remote) • Mounting Parts • Suction Valve/Rotalock 	-95V <ul style="list-style-type: none"> • Replaces 95V • Electrical Components • Mounting Parts • Suction Valve/Rotalock (location is on opposite side from the standard.)

“C” BOM

‘CR’ Compressors	‘CS’ Compressors	‘CT’ Compressors	‘CF’ Compressor
- 970 & 980WB <ul style="list-style-type: none"> • Crankcase Heater • Mounting Parts • Screw Terminals (CRM-P) • Sweat Connections • Terminal Cover • Terminal Flag Kit (CRA-L) • 7 ½ x 7 ½ Footprint 	-970 <ul style="list-style-type: none"> • Crankcase Heater • Mounting Parts • Screw Terminal (CS33) • Sweat Connections • Terminal Cover • Terminal Flag Kit (CS 10-27) • 7 ½ x 7 ½ Footprint • Adapter Kit (See Attached) 	-970 <ul style="list-style-type: none"> • Crankcase Heater • Mounting Parts • Screw Terminals • Sweat Connections • Terminal Covers • 7 ½ x 7 ½ Footprint 	-970 <ul style="list-style-type: none"> • Mounting Parts • Sweat Connections • Terminal Cover • Adapter Kit
-930 <ul style="list-style-type: none"> • Same as 970 except 4 13/16 x 8 Footprint 			

Bill of Material (BOM) Description

“J” BOM

908	900	909	959
Includes Capacitor, Relay, and Sweat Connections	Includes Sweat Connections	Includes Capacitor, Relay, and Sweat Connections	Includes Capacitor, Relay, Crankcase Heater, and Suction Valve
958			
JFB1-0033-IAA, JFB1-0033-IAV, JFC1-0025-IAA, JFP1-0050-IAA, JFP1-0050-IAV, JRE1-0050-IAA, JFH1-0033-IAA, JF11C1E-IAA, JRE1-0033-IAA, JRE1-0050-IAV, JRF4-0050-IAA, JRF4-0050-IAV, JRE1-0033-IAV, JRN1-0025-IAA, JR26C1E-IAA, JRL4-0050-IAA, JRL4-0050-IAV, JRS4-0050-IAA, JR36C1E-IAA, JR53C1E-IAA, JR53C1E-IAV -Includes Capacitor, Relay, and Suction Valve			

Emerson Climate Technologies, Inc. Accepted Refrigerants/Lubricants

	Refrigerants	Similar Source	To	Application Lubricant Choices					Comments
				Retrofit	New	Preferred	Alternate #1	Alternate #2	
Ozone Depleting	CFC R-12 CFC R-502 HCFC R-22	Many Many Many		LM LM LMH	LM LM LMH	MO MO MO	AB & MO AB & MO AB & MO	POE POE	Phaseout By 1996 Phaseout By 1996 Phaseout By 2020
Interims (HCFC)	R-401A R-401B R-402A R-408A R-409A	Dupont/Allied Dupont/Allied Dupont Atochem Atochem	R-12 R-12 R-502 R-502 R-12	MH LM LM LM LM	N/A N/A N/A N/A N/A	AB & MO AB & MO AB & MO AB & MO AB & MO	POE & MO POE & MO POE & MO POE & MO POE & MO	POE POE POE POE POE	Service Only Suva MP39 Service Only Suva MP66 Service Only Suva MP80 Service Only FX10 Service Only FX56
Non-Ozone Depleting (HFC)	R-134a R-404A R-507 R-407C	Many Many Allied Dupont/Allied ICI	R-12 R-502 R-502 R-22	MH LM LM MH	MH LM LM MH	POE POE POE POE			Suva HP62, Forane FX70 Genetron AZ50 Suva 9000/KLEA 66

MO = Mineral Oil (3GS or Equivalent)
 AB = Alkyl Benzene (Copeland® Ultra 200 or Shreve Zerol 200 TD or Soltex AB 200A or Thermal Zone 200)
 POE = Copeland® Ultra 22CC or Model EAL Arctic 22 CC or ICI Emkarate RL32CF or Thermal Zone 22 CC
 POE & MO = Minimum 50% Alkyl Benzene
 AB & MO = Minimum 50% Alkyl Benzene (Shell 22-12)

Note: Shell 2212 Is a 70/30 Mixture Of AB And MO
 Copeland® Ultra 200, Zerol 200 TD and Soltex AB 200A are 100% AB.

Rating Points

A/C Rating Points-Air Conditioning		
Model	Refrigerant	Point
A	All	N/A
R	All	N/A
C	All	45/130/65/115/95

HT Rating Points-High Temperature		
Model	Refrigerant	Point
A	All	45/130/65/130/95
R	All	45/130/65/130/95
C	All	45/130/65/130/95
C	R-502	45/130/95/115/95

MT Rating Points-Medium Temperature		
Model	Refrigerant	Point
A	All	20/120/40/120/95
R	All	20/120/40/120/95
R	R-502	20/120/65/105/95
C	All	20/120/40/120/95
C	R-502	20/120/65/105/95

MT(1) Rating Points-Medium Temperature		
Model	Refrigerant	Point
A		N/A
R	All	20/130/40/130/95
C	All	20/130/40/130/95

LT Rating Points-Low Temperature		
Model	Refrigerant	Point
A	All	-10/120/40/120/95
A	R-12	-10/130/90/90/90
R	All	-10/120/40/120/95
R	R-12	-10/130/90/90/90
C	All	-10/120/40/120/95

LT(1) Rating Points-Low Temperature		
Model	Refrigerant	Point
A		N/A
R		N/A
C		-10/130/40/130/95

EMT Rating Points-Extended Medium Temperature		
Model	Refrigerant	Point
A	All	-10/120/40/120/95
R	All	20/120/40/120/95
C	All	20/120/40/120/95

General Notes

1. Specifications are subject to change without notice.
2. Dimensions and tube locations pictured are for standard Copeland® brand models. They are not intended to be an accurate representation of all compressors.
3. With state-of-the-art compressor technology and the industry's emphasis on efficiency, compressor characteristics such as horsepower and displacement are no longer viable means of selecting replacement compressors. Today's high efficiency compressors will have a greater capacity for a given horsepower (BTU/HP). Therefore capacity (BTU/HR) is the only acceptable means of selecting a replacement compressor.
4. Crankcase heaters are strongly recommended on all systems where the compressor is exposed to cold ambient temperatures, on all split air conditioning systems, and on packaged air conditioning equipment 5 HP and larger.
5. **Replace all starting components on single phase compressors.** Capacitors and relays for Copeland® brand welded compressors are tabulated on pages 177-184 of this catalog.
6. Check and replace the contactor, if required, on three phase compressors.
7. Replace liquid line filter drier.
8. All of the competitive compressor performance data and/or dimensional data used in this cross-reference guide was taken from published information. Some capacities (BTUH) have been adjusted to the rating conditions on page 26 of this catalog. Emerson Climate Technologies, Inc. assumes no responsibility for the original data.
9. **When a compressor has failed and must be replaced, you must determine the cause of the failure and take corrective action or the replacement compressor will fail.**

Application Engineering Bulletins for Welded Compressors

Bulletin Number	Description
10-1187	The Effect of Electrical Components on Motor Protection
17-1248	Refrigerant Oils
22-1182	Liquid Refrigerant Control in Refrigeration and Air Conditioning Systems
25-1177	Safe Handling Of Compressed Gases
4-1111	Mounting Parts for Copeland® Brand Compressors
4-1183	Start Test Conditions
4-1289	Application Guidelines for CR*6 Compressors
4-1292	Medium Temperature R22 Welded Compressors
4-1295	HFC-134a Refrigerant Guidelines
4-1298	Extended Medium Temperature R404A/507 Hermetic Compressors and Condensing Units
4-1305	System Pro
4-1307	Application Guidelines for CF Refrigeration Compressors and Condensing Units
9-1209	Single Phase Motors Frequent Causes of Failure
9-1228	Nameplate Voltages
9-1250	Maximum Continuous Current Rating for Copeland® Brand Compressors
9-1269	Motor Terminal Connections
93-02	CFC-12 To R-401A*
93-03	CFC-12 To R-401B*
93-04	CFC-12 To HFC-134a*
93-05	R-502 To R-402A*
94-15	R-502 To R-404A/R-507*
95-14	R-22 To R-407C*

*Refrigerant Changeover Guidelines

Compressor Data

1. Models printed in **bold** type are wholesaler models. A wholesaler model is typically stocked by your Authorized Emerson® Full-Line or Authorized Copeland® Wholesaler; Emerson Climate Technologies, Inc. maintains an inventory of these models to ensure quick delivery to the wholesaler.

Models in common type are compressors currently manufactured by Emerson Climate Technologies, Inc. but are not wholesaler models. These compressors can be obtained from Emerson Climate Technologies, Inc. but with longer lead times.

Models in *italic* type are obsolete and can no longer be obtained from Emerson Climate Technologies, Inc.

2. App is abbreviation for "Application."
3. RLA is abbreviation for "Rated Load Amps."
MCC is abbreviation for "Maximum Continuous Current."
 $MCC = (1.4) * RLA$
4. ST is abbreviation for "Stub Tube."
EU is abbreviation for "Elbow Up."
5. EER is abbreviation for "Energy Efficiency Ratio."
 $EER = BTUH/Watts$
6. Height listed is without mounting parts.

Wholesaler Notes

Compressor Data

“A” Compressors

Model	R12					R134a				
	App	RLA	BTUH	Watts	Amps	App	RLA	BTUH	Watts	Amps
AFB04C3E-SAA <i>AF04C1E-SAA</i>						EMT	2.0	370	160	2.4
						EMT	2.0	370	160	2.4
AFB05C3E-IAA <i>AF05C1E-IAA</i>						EMT	2.8	500	200	3.0
						EMT	2.8	500	200	3.0
AFB05C3E-SAA <i>AF05C1E-SAA</i>						EMT	2.7	500	200	3.0
						EMT	2.7	500	200	3.0
AFE07C3E-IAA <i>AF07C1E-IAA</i> <i>AF09C1E-IAA</i>						EMT	4.4	710	250	4.2
						EMT	3.9	710	270	4.0
						EMT	3.9	710	270	4.0
AFE10C3E-IAA <i>AF10C2E-IAA</i> <i>JF10C1E-IAA</i> <i>AEA2410YXA</i>						EMT	4.9	940	300	4.9
						EMT	4.9	980	320	4.8
						EMT	6.7	1000	395	6.1
						LT	5.6	1020	320	5.6
AFJ23C1-IAA <i>AFJ1-0050-IAA</i> <i>AJA2425AXA</i> <i>L1NB262EBA</i>	LT	7.2	2407	610	8.0					
	LT	7.2	2380	600	8.0					
	LT		2200	650	7.9					
	LT	9.0	2650	710						
AFT12C1E-IAA <i>AF12C1E-IAA</i> <i>JF11C1E-IAA</i> <i>AEA2413YXA</i>						EMT	5.1	1240	410	5.3
						EMT	5.1	1240	450	5.3
						EMT	8.9	1210	395	6.1
						LT	5.9	1350	380	5.9
AFT12C1-IAA <i>AFK1-0034-IAA</i> <i>JFH1-0033-SAA</i> <i>JFH1-0033-IAA</i> <i>AEA2415AAB</i> <i>T4134</i>	LT	5.0	1563	396	5.3					
	LT	5.0	1563	396	5.3					
	LT	6.7	1500	430	5.9					
	LT	6.7	1500	430	5.9					
	LT		1525	425	6.0					
	LT		1590							
ARB13C3E-IAA <i>AR13C1E-IAA</i>						HT	2.8	1350	250	3.0
						HT	2.8	1350	250	3.0
ARB13C3E-SAA <i>AR13C1E-SAA</i> <i>AEA3414YXA</i>						HT	2.75	1350	250	3.0
						HT	2.8	1350	250	3.0
						HT	2.9	1299	253	3.0

Compressor Data

Model	Volts/ Phase	Dimensions (inches)			Mounting (inches)		Connections (inches)		Oil Type	Oil Charge (ounces)	
		L	W	H	L	W	Disch	Suct		Initial	Recharge
AFB04C3E-SAA <i>AF04C1E-SAA</i>	115-1 115-1	10.5 9.4	6.0 6.0	7.0 7.4	6.5 6.5	4.0 4.0	1/4 3/16	5/16 1/4	POE POE	13 12	11 10
AFB05C3E-IAA <i>AF05C1E-IAA</i>	115-1 115-1	10.5 9.4	6.0 6.0	7.6 7.9	6.5 6.5	4.0 4.0	1/4 1/4	5/16 1/4	POE POE	15 15	13 12
AFB05C3E-SAA <i>AF05C1E-SAA</i>	115-1 115-1	10.5 9.4	6.0 6.0	7.6 7.9	6.5 6.5	4.0 4.0	1/4 3/16	5/16 1/4	POE POE	15 15	13 12
AFE07C3E-IAA <i>AF07C1E-IAA</i> <i>AF09C1E-IAA</i>	115-1 115-1 115-1	10.5 9.4 9.4	6.0 6.0 6.0	8.1 8.5 8.5	6.5 6.5 6.5	4.0 4.0 4.0	1/4 1/4 1/4	5/16 5/16 5/16	POE POE POE	15 15 15	13 12 12
AFE10C3E-IAA <i>AF10C2E-IAA</i> <i>JF10C1E-IAA</i> <i>AEA2410YXA</i>	115-1 115-1 115-1 115-1	10.5 9.4 11.5 10.2	6.0 6.0 8.5 6.1	8.1 8.5 8.4 8.1	6.5 6.5 6.5 6.5	4.0 4.0 7.0 4.0	1/4 1/4 1/4 1/4	5/16 5/16 5/16 5/16	POE POE POE POE	15 15 20 16	13 12 18 18
AFJ23C1-IAA <i>AFJ1-0050-IAA</i> <i>AJA2425AXA</i> <i>L1NB262EBA</i>	115-1 115-1 115-1 115-1	11.3 11.3 11.8	6.6 6.6 6.7	10.7 10.7 10.7 12.1	8.0 8.0 8.0 8.0	4.8 4.8 4.8 4.8	3/8 3/8 5/16	RL RL 3/4	AB AB	30 30 22	28 28 40
AFT12C1E-IAA <i>AF12C1E-IAA</i> <i>JF11C1E-IAA</i> <i>AEA2413YXA</i>	115-1 115-1 115-1 115-1	11.4 11.4 9.8 10.2	6.7 6.5 8.3 6.9	7.9 8.6 8.3 8.1	8.0 7.0 7.0 6.5	4.8 4.5 7.0 4.0	1/4 1/4 1/4 1/4	3/8 5/16 5/16 5/16	POE POE POE	15 15 20 16	13 12 18 18
AFT12C1-IAA <i>AFK1-0034-IAA</i> <i>JFH1-0033-SAA</i> <i>JFH1-0033-IAA</i> <i>AEA2415AAB</i> <i>T4134</i>	115-1 115-1 115-1 115-1 115-1	11.4 11.4 11.5 11.5 9.1	6.7 6.7 8.5 8.5 6.7	7.9 7.9 7.6 7.6 8.0	8.0 8.0 7.0 7.0 6.5	4.8 4.8 7.0 7.0 4.0	1/4 1/4 1/4 1/4 1/4	3/8 3/8 5/16 5/16 3/8	AB AB MO MO	15 15 20 20 13	13 13 18 18 13
ARB13C3E-IAA <i>AR13C1E-IAA</i>	115-1 115-1	10.5 9.4	6.0 6.0	7.0 7.4	6.5 6.5	4.0 4.0	1/4 3/16	5/16 1/4	POE POE	13 13	11 10
ARB13C3E-SAA <i>AR13C1E-SAA</i> <i>AEA3414YXA</i>	115-1 115-1 115-1	10.5 9.4 10.2	6.0 6.0 6.1	7.0 7.4 6.9	6.5 6.5 6.5	4.0 4.0 4.0	1/4 3/16 3/16	5/16 1/4 1/4	POE POE	13 13 10	11 10

Compressor Data

“A” Compressors

Model	R12					R134a				
	App	RLA	BTUH	Watts	Amps	App	RLA	BTUH	Watts	Amps
ARB10C3-SAA	HT	2.4	1305	240	2.8					
	LT	2.4	380	120	2.0					
<i>AFC1-0013-SAA</i>	LT	1.8	405	123	1.6					
<i>AEA3414AXA</i>	HT		1450	250	2.9					
<i>A5132A</i>	HT		1415							
<i>AEA1336AXA</i>	LT		375	125	1.7					
<i>A1085A</i>	LT		405							
ARB13C3-SAA	HT	2.8	1686	250	3.0					
	LT	2.6	484	250	3.0					
<i>ARC1-0017-SAA</i>	HT	2.8	1548	261	2.8					
<i>AFD1-0017-SAA</i>	LT	2.0	505	154	2.0					
<i>AEA1343AXA</i>	LT		450	155	2.3					
<i>A1111A</i>	LT		505							
ARB17C3E-IAA						HT	3.5	1680	320	3.6
<i>AR17C1E-IAA</i>						HT	3.5	1680	320	3.6
ARB17C3E-SAA						HT	3.5	1680	320	3.6
<i>AR17C1E-SAA</i>						HT	3.5	1680	320	3.6
<i>AEA3417YXA</i>						HT	3.4	1692	299	3.3
ARB17C3-SAA	HT	3.5	1950	345	3.5					
	LT	3.5	585	178	2.0					
<i>ARD1-0020-SAA</i>	HT	3.6	1945	322	3.4					
<i>AEA3417AXA</i>	HT		1850	290	3.4					
<i>A1544A</i>	HT		1776							
ARE25C3E-IAA						HT	4.7	2520	420	4.5
<i>AR25C1E-IAA</i>						HT	4.7	2520	420	4.5
ARE25C3E-SAA						HT	4.5	2520	420	4.5
<i>AR25C1E-SAA</i>						HT	4.5	2520	420	4.5
<i>AEA3425YXA</i>						HT	4.4	2282	394	4.2
ARE25C3-SAA	HT	4.5	2760	378	4.0					
	LT	4.5	700	250	2.5					
<i>ARE1-0023-SAA</i>	HT	4.4	2800	435	4.4					
<i>AFE1-0023-SAA</i>	LT	2.5	715	191	2.4					
<i>AEA3425AXA</i>	HT		2600	390	4.4					
<i>AEA1360AXA</i>	LT		650	195	2.5					
<i>C4414</i>	HT		2553							

Compressor Data

Model	Volts/ Phase	Dimensions (inches)			Mounting (inches)		Connections (inches)		Oil Type	Oil Charge (ounces)	
		L	W	H	L	W	Disch	Suct		Initial	Recharge
ARB10C3-SAA	115-1	10.5	6.0	7.0	6.5	4.0	1/4	5/16	AB	13	11
	115-1	10.5	6.0	7.0	6.5	4.0	1/4	5/16	AB	13	11
<i>AFC1-0013-SAA</i>	115-1	9.6	6.1	7.0	6.5	4.0	3/16	1/4	AB	13	11
<i>AEA3414AXA</i>	115-1	9.2	6.1	6.8	6.5	4.0	3/16	1/4		10	
<i>A5132A</i>	115-1										
<i>AEA1336AXA</i>	115-1	11.7	11.6	9.8	6.5	4.0	1/4	3/16		10	
<i>A1085A</i>	115-1										
ARB13C3-SAA	115-1	10.5	6.0	7.0	6.5	4.0	1/4	5/16	AB	13	11
<i>ARC1-0017-SAA</i>	115-1	9.6	6.1	6.8	6.5	4.0	3/16	1/4	AB	13	11
<i>AFD1-0017-SAA</i>	115-1	9.6	6.1	7.0	6.5	4.0	3/16	1/4	AB	13	11
<i>AEA1343AXA</i>	115-1	12.7	11.2	9.8	6.5	4.0	1/4	1/4		10	
<i>A1111A</i>	115-1										
ARB17C3E-IAA	115-1	10.5	6.0	7.6	6.5	4.0	1/4	5/16	POE	12	10
<i>AR17C1E-IAA</i>	115-1	9.4	6.0	7.9	6.5	4.0	3/16	1/4	POE	13	10
ARB17C3E-SAA	115-1	10.5	6.0	7.6	6.5	4.0	1/4	5/16	POE	12	10
<i>AR17C1E-SAA</i>	115-1	9.4	6.0	7.9	6.5	4.0	3/16	1/4	POE	13	10
<i>AEA3417YXA</i>	115-1	10.4	6.1	7.6	6.5	4.0	1/4	5/16		10	
ARB17C3-SAA	115-1	10.5	6.0	7.6	6.5	4.0	1/4	5/16	AB	12	10
<i>ARD1-0020-SAA</i>	115-1	9.6	6.1	7.5	6.5	4.0	3/16	1/4	AB	13	11
<i>AEA3417AXA</i>	115-1	9.2	6.1	7.5	6.5	4.0	1/4	5/16		10	
<i>A1544A</i>	115-1										
ARE25C3E-IAA	115-1	10.5	6.0	7.6	6.5	4.0	1/4	5/16	POE	15	13
<i>AR25C1E-IAA</i>	115-1	9.4	6.0	7.9	6.5	4.0	3/16	1/4	POE	15	12
ARE25C3E-SAA	115-1	10.5	6.0	7.6	6.5	4.0	1/4	5/16	POE	15	13
<i>AR25C1E-SAA</i>	115-1	9.4	6.0	7.9	6.5	4.0	3/16	1/4	POE	15	12
<i>AEA3425YXA</i>	115-1	10.2	6.5	7.6	6.5	4.0	3/16	1/4		10	
ARE25C3-SAA	115-1	10.5	6.4	7.4	6.5	4.0	1/4	5/16	AB	15	13
<i>ARE1-0023-SAA</i>	115-1	9.6	6.1	7.5	6.5	4.0	3/16	1/4	AB	16	14
<i>AFE1-0023-SAA</i>	115-1	9.6	6.1	7.5	6.5	4.0	3/16	1/4	AB	15	13
<i>AEA3425AXA</i>	115-1			7.5	6.5	4.0	1/4	5/16		10	
<i>AEA1360AXA</i>	115-1	12.7	11.2	9.8	6.5	4.0	1/4	5/16		16	
<i>C4414</i>											

Compressor Data

“A” Compressors

Model	R12					R134a				
	App	RLA	BTUH	Watts	Amps	App	RLA	BTUH	Watts	Amps
ARE25C3-SAA	HT	4.5	2760	378	4.0					
	LT	4.5	700	250	2.5					
S4414	HT		2553							
C4111	HT		2756							
AP4111	HT		2756							
C4C	HT		2784							
AT4C	HT		2784							
C41	HT		2784							
AE41	HT		2784							
AE3430A	HT		2784							
AE4430A	HT		2784							
A5160A	HT		2571							
A5170A	HT		2784							
A1116A	LT		715							
ARE27C3E-IAA						HT	5.0	2760	430	4.9
AR27C1E-IAA						HT	5.0	2730	460	5.1
AEA4430YXA						HT	5.3	2746	487	5.3
H10H302*	HT		2700							
ARE27C3-IAA	HT	5.0	3140	460	5.1					
	LT	5.0	800	460	5.1					
ARF2-0025-IAA	HT	5.0	3057	470	5.1					
JRN1-0025-IAA	HT	4.8	2983	450	4.7					
AEA4430AXA	HT		3100	465	5.0					
AK9441A	HT		3348							
C34	HT		3348							
AT34	HT		3348							
C3311	HT		3524							
AP3311	HT		3524							
AR43	LT		780							
C43	LT		780							
AT43	LT		780							
AP43	LT		780							
C4416	LT		780							
S4416	LT		780							
AE1410A	LT		830							
AE2410A	LT		830							
AE1411D	LT		830							
H10H382	HT		3210							
CH25	HT		3034							
H25	HT		3034							
CH25V	HT		3034							
YCH25V	HT		3052							
YH25V	HT		3052							

Compressor Data

Model	Volts/ Phase	Dimensions (inches)			Mounting (inches)		Connections (inches)		Oil Type	Oil Charge (ounces)	
		L	W	H	L	W	Disch	Suct		Initial	Recharge
ARE25C3-SAA	115-1	10.5	6.4	7.4	6.5	4.0	1/4	5/16	AB	15	13
S4414											
C4111											
AP4111											
C4C											
AT4C											
C41											
AE41											
AE3430A											
AE4430A											
A5160A	115-1										
A5170A	115-1										
A1116A	115-1										
ARE27C3E-IAA	115-1	10.5	6.0	7.6	6.5	4.0	1/4	5/16	POE	15	13
AR27C1E-IAA	115-1	9.4	6.0	8.5	6.5	4.0	1/4	5/16	POE	15	12
AEA4430YXA	115-1	10.4	6.1	8.1	6.5	4.0	1/4	5/16		10	
H10H302*	115-1										
ARE27C3-IAA	115-1	10.5	6.0	7.6	6.5	4.0	1/4	5/16	AB	15	13
ARF2-0025-IAA	115-1	9.6	6.1	8.0	6.5	4.0	1/4	5/16	AB	16	15
JRN1-0025-IAA	115-1	11.5	8.5	7.1	7.0	7.0	5/16	1/4	MO	20	18
AEA4430AXA	115-1			8.0	6.5	4.0	1/4	3/8		10	
AK9441A											
C34											
AT34											
C3311											
AP3311											
AR43											
C43											
AT43											
AP43											
C4416											
S4416											
AE1410A											
AE2410A											
AE1411D											
H10H382	115-1										
CH25											
H25											
CH25V											
YCH25V											
YH25V											

Compressor Data

“A” Compressors

Model	R12					R134a				
	App	RLA	BTUH	Watts	Amps	App	RLA	BTUH	Watts	Amps
ARE27C3E-SAA <i>AR27C1E-SAA</i> <i>JR26C1E-IAA</i> <i>AEA3430YXA</i>						HT	5.0	2730	460	5.1
						HT	5.0	2730	460	5.1
						HT	4.8	2620	430	5.0
						HT	5.4	2757	480	5.2
ARE27C3-SAA	HT	5.0	3140	440	4.6					
	LT	5.0	800	315	2.4					
<i>ARF2-0025-SAA</i>	HT	5.0	3057	470	5.1					
<i>AFF1-0025-SAA</i>	LT	2.8	800	215	2.8					
<i>AEA3430AXA</i>	HT		3100	465	5.0					
<i>AEA1380AXA</i>	LT		820	240	3.1					
<i>L10H112</i>	LT		810							
<i>E5170A</i>	HT		2853							
<i>YCL25V</i>	LT		810							
<i>L25V</i>	LT		810							
<i>AYL25</i>	LT		810							
ARE37C3E-IAA <i>AR37C1E-IAA</i> <i>JR36C1E-IAA</i>						HT	7.2	3730	620	7.2
						HT	7.2	3620	600	6.8
						HT	7.1	3550	584	6.8
ARE37C3-IAA	HT	7.2	4150	625	7.2					
	LT	7.2	1100	315	3.8					
<i>ARG2-0033-IAA</i>	HT	7.2	4128	650	7.3					
<i>AFG2-0026-IAA</i>	LT	3.6	1000	280	3.6					
<i>JRE1-0033-IAA</i>	HT	7.1	3978	520	7.1					
<i>JFC1-0025-IAA</i>	LT	4.1	1000	300	3.8					
<i>AEA4440AXA</i>	HT		4100	625	6.8					
<i>AEA2410AXA</i>	LT		1050	315	4.5					
<i>AE3440D</i>	HT		3727							
<i>C14</i>	HT		3903							
<i>S1N14</i>	HT		3903							
<i>AJ4443A</i>	HT		3977							
<i>C4J34</i>	HT		3977							
<i>AE3448A</i>	HT		4310							
<i>AE4448A</i>	HT		4310							
<i>AE1413A</i>	LT		1030							
<i>AE1413D</i>	LT		1030							
<i>AE2413A</i>	LT		1030							
<i>L10H132</i>	LT		990							
<i>E3121A</i>	LT		1008							
<i>YCH33</i>	HT		3857							

Compressor Data

Model	Volts/ Phase	Dimensions (inches)			Mounting (inches)		Connections (inches)		Oil Type	Oil Charge (ounces)	
		L	W	H	L	W	Disch	Suct		Initial	Recharge
ARE27C3E-SAA	115-1	10.5	6.0	7.6	6.5	4.0	1/4	5/16	POE	15	13
<i>AR27C1E-SAA</i>	115-1	9.4	6.0	8.5	6.5	4.0	1/4	5/16	POE	15	12
<i>JR26C1E-IAA</i>	115-1	9.8	6.4	7.5	7.0	7.0	1/4	5/16	POE	20	18
<i>AEA3430YXA</i>	115-1	10.4	6.1	8.1	6.5	4.0	3/16	1/4		10	
ARE27C3-SAA	115-1	10.5	6.0	7.6	6.5	4.0	1/4	5/16	AB	15	13
<i>ARF2-0025-SAA</i>	115-1	9.6	6.1	8.0	6.5	4.0	3/16	1/4	AB	17	15
<i>AFF1-0025-SAA</i>	115-1	9.6	6.1	7.8	6.5	4.0	3/16	1/4	AB	15	14
<i>AEA3430AXA</i>	115-1	9.2	6.1	8.0	6.5	4.0	1/4	5/16		10	
<i>AEA1380AXA</i>	115-1			8.0	6.5	4.0	1/4	5/16		16	
<i>L10H112</i>											
<i>E5170A</i>	115-1										
<i>YCL25V</i>											
<i>L25V</i>											
<i>AYL25</i>											
ARE37C3E-IAA	115-1	10.5	6.0	8.1	6.5	4.0	1/4	5/16	POE	15	13
<i>AR37C1E-IAA</i>	115-1	9.4	6.0	8.5	6.5	4.0	1/4	5/16	POE	15	12
<i>JR36C1E-IAA</i>	115-1	9.81	6.38	8.0	7.0	7.0	1/4	5/16	POE	20	18
ARE37C3-IAA	115-1	10.5	6.0	8.1	6.5	4.0	1/4	5/16	AB	15	13
<i>ARG2-0033-IAA</i>	115-1	9.6	6.1	8.0	6.5	4.0	1/4	5/16	AB	16	14
<i>AFG2-0026-IAA</i>	115-1	9.6	6.1	8.0	6.5	4.0	3/16	5/16	AB	16	14
<i>JRE1-0033-IAA</i>	115-1	11.47	8.53	7.63	7.0	7.0	5/16	1/4	MO	20	18
<i>JFC1-0025-IAA</i>	115-1	11.5	8.5	7.1	7.0	7.0	1/4	5/16	POE	20	18
<i>AEA4440AXA</i>	115-1			8.0	6.5	4.0	1/4	5/16		10	
<i>AEA2410AXA</i>	115-1			8.0	6.5	4.0	1/4	3/8		13	
<i>AE3440D</i>											
<i>C14</i>											
<i>S1N14</i>											
<i>AJ4443A</i>											
<i>C4J34</i>											
<i>AE3448A</i>											
<i>AE4448A</i>											
<i>AE1413A</i>											
<i>AE1413D</i>											
<i>AE2413A</i>											
<i>L10H132</i>											
<i>E3121A</i>											
<i>YCH33</i>											

Compressor Data

“A” Compressors

Model	R12					R134a				
	App	RLA	BTUH	Watts	Amps	App	RLA	BTUH	Watts	Amps
ARE37C3-IAA	HT	7.2	4150	625	7.2					
	LT	7.2	1100	315	3.8					
YH33	HT		3857							
YCH34	HT		3857							
CH33	HT		4050							
H33	HT		4050							
CL25	LT		990							
L25	LT		990							
ARE37C3E-IAV						HT	3.4	3790	590	3.4
AR37C1E-IAV						HT	3.4	3620	600	3.4
JR36C1E-IAV						HT	3.3	3550	584	3.4
AEA4440YXD						HT	3.6	3610	620	3.6
ARE37C3E-SAA						HT	6.7	3616	600	6.8
AR37C1E-SAA						HT	6.7	3620	600	6.8
AEA3440YXA						HT	6.9	3555	600	7.1
ARE37C3-SAA	HT	7.2	4150	625	7.2					
	LT	7.2	1100	315	3.8					
ARG2-0033-SAA	HT	7.2	4128	650	7.3					
AFG2-0026-SAA	LT	3.5	1040	280	3.6					
AEA1410AXA	LT		1050	315	4.1					
E5187A	HT		3820							
ARE41C3E-IAA						HT	7.5	3950	660	7.5
AR41C1E-IAA						HT	7.5	3950	660	7.5
AEA4448YXA						HT	8.2	4215	752	8.3
AEA4440YXA						HT	7.2	3555	600	7.1
AEA3448YXA						HT	8.7	4278	736	8.3
ARE41C3-IAA	HT	7.5	4720	673	8.0					
	LT		1270							
AFE12C3-IAA	LT	4.9	1250	350	4.9					
AFH2-0033-IAA	LT	4.2	1270	335	4.3					
JFB1-0033-IAA	LT	5.2	1320	380	5.4					
AEA1413AXA	LT		1300	370	4.6					
AEA4448AXA	HT		4800	725	8.0					
YH45	HT		4791							
C3N16	LT		1190							
S3N16	LT		1190							
CAT3512	LT		1190							

Compressor Data

Model	Volts/ Phase	Dimensions (inches)			Mounting (inches)		Connections (inches)		Oil Type	Oil Charge (ounces)	
		L	W	H	L	W	Disch	Suct		Initial	Recharge
ARE37C3-IAA YH33 YCH34 CH33 H33 CL25 L25	115-1	10.5	6.0	8.1	6.5	4.0	1/4	5/16	AB	15	13
ARE37C3E-IAV AR37C1E-IAV JR36C1E-IAV AEA4440YXD	208/230-1 208/230-1 208/230-1 208/230-1	10.5 9.4 9.8 10.2	6.0 6.0 6.4 6.7	8.1 8.5 8.0 8.0	6.5 6.5 7.0 6.5	4.0 4.0 7.0 4.0	1/4 1/4 1/4 1/4	5/16 5/16 5/16 5/16	POE POE POE POE	15 15 20 10	13 12 18 8
ARE37C3E-SAA AR37C1E-SAA AEA3440YXA	115-1 115-1 115-1	10.5 9.4 10.2	6.0 6.0 6.7	8.1 8.5 8.1	6.5 6.5 6.5	4.0 4.0 4.0	1/4 1/4 1/4	5/16 5/16 5/16	POE POE	15 15 10	13 12
ARE37C3-SAA ARG2-0033-SAA AFG2-0026-SAA AEA1410AXA E5187A	115-1 115-1 115-1 115-1	10.5 9.6 9.6	6.0 6.1 6.1	8.1 8.0 8.0 8.0	6.5 6.5 6.5 6.5	4.0 4.0 4.0 4.0	1/4 1/4 3/16 1/4	5/16 5/16 5/16 5/16	AB AB AB	15 16 16 13	12 14 14
ARE41C3E-IAA AR41C1E-IAA AEA4448YXA AEA4440YXA AEA3448YXA	115-1 115-1 115-1 115-1 115-1	10.5 9.4 10.4 10.2 10.4	6.0 6.0 6.1 6.7 6.1	8.6 8.9 8.1 8.1 8.1	6.5 6.5 6.5 6.5 6.5	4.0 4.0 4.0 4.0 4.0	1/4 1/4 1/4 1/4 1/4	5/16 5/16 5/16 5/16 5/16	POE POE	15 15 10 10 10	13 12
ARE41C3-IAA AFE12C3-IAA AFH2-0033-IAA JFB1-0033-IAA AEA1413AXA AEA4448AXA YH45 C3N16 S3N16 CAT3512	115-1 115-1 115-1 115-1 115-1 115-1	10.5 9.6 9.8 9.1	6.0 6.1 8.3 6.7	8.6 8.1 7.5 8.0 8.0	6.5 6.5 7.0 6.5 6.5	4.0 4.0 7.0 4.0 4.0	1/4 3/16 1/4 1/4 1/4	5/16 5/16 5/16 5/16 5/16	AB AB POE AB	15 16 20 28 10	13 14 18

Compressor Data

“A” Compressors

Model	R12					R134a				
	App	RLA	BTUH	Watts	Amps	App	RLA	BTUH	Watts	Amps
ARE41C3-IAA	HT	7.5	4720	673	8.0					
	LT		1270							
<i>CAT3J12</i>	LT		1190							
<i>AT3512</i>	LT		1190							
<i>AT3J12</i>	LT		1190							
<i>AE2415A</i>	LT		1210							
<i>AJ2416A</i>	LT		1210							
<i>AE1415B</i>	LT		1250							
<i>AJ2416B</i>	LT		1270							
<i>E3130A</i>	LT		1300							
<i>E4130A</i>	LT		1300							
<i>YCL33V</i>	LT		1170							
<i>YL33V</i>	LT		1170							
<i>CL33</i>	LT		1170							
<i>L33</i>	LT		1170							
ARE41C3-SAA	TBD									
<i>AFE12C3-SAA</i>	LT	4.9	1250	350	4.9					
<i>AFH2-0033-SAA</i>	LT	4.1	1270	335	4.3					
<i>AEA2413AXA</i>	LT		1300	385	4.8					
ARE41C3E-IAV						HT	7.5	3950	660	3.7
<i>AEA4448YXD</i>						HT		4145	780	5.3
No Replacement										
<i>JFB1-0033-IAV</i>	LT	2.6	1110	375	2.9					
ARJ11K1E-CAV						HT	7.4	11300	1540	7.7
<i>AR11K1E-CAV</i>						HT	7.4	11300	1540	7.7
<i>H10B123BBC</i>	HT		11053							
ARJ11K1-CAV	HT	7.3	13528	1471	7.1					
<i>ARN1-0100-CAV</i>	HT	7.3	13528	1471	7.1					
<i>AJA4512AXD</i>	HT		12300	1530	7.0					
ARJ84C1E-IAV						HT	7.4	8060	1230	7.4
<i>AR84C1E-IAV</i>	HT					HT	7.4	8060	1230	7.4
<i>AJA4492YXD</i>						HT	7.0	8201	1201	6.9
ARJ84C1-IAV	HT	7.2	10047	1254	7.3					
<i>ARM1-0075-IAV</i>	HT	7.2	10047	1254	7.3					
<i>AJA4492AXD</i>	HT		9150	1220	7.0					
<i>H10B103BBC</i>	HT		9250							

TBD - To Be Determined

Compressor Data

Model	Volts/ Phase	Dimensions (inches)			Mounting (inches)		Connections (inches)		Oil Type	Oil Charge (ounces)	
		L	W	H	L	W	Disch	Suct		Initial	Recharge
ARE41C3-IAA CAT3J12 AT3512 AT3J12 AE2415A AJ2416A AE1415B AJ2416B E3130A E4130A YCL33V YL33V CL33 L33	115-1 115-1	10.5	6.0	8.6	6.5	4.0	1/4	5/16	AB	15	13
ARE41C3-SAA AFE12C3-SAA AFH2-0033-SAA AEA2413AXA	115-1 115-1 115-1	10.5 9.6	6.0 6.1	8.1 8.0 8.0	6.5 6.5 6.5	4.0 4.0 4.0	1/4 3/16 1/4	5/16 5/16 3/8	AB AB	15 16 13	13 14
ARE41C3E-IAV AEA4448YXD	208/230-1 208/230-1	10.5 9.2	6.0 6.1	8.6 8.1	6.5 6.5	4.0 4.0	1/4 1/4	5/16 5/16	POE	15 10	13
No Replacement JFB1-0033-IAV	208/230-1	9.8	8.3	7.5	7.0	7.0	1/4	1/3	AB	20	18
ARJ11K1E-CAV AR11K1E-CAV H10B123BBC	208/230-1 208/230-1	8.6 8.6	6.5 6.5	11.4 11.4	8.0 8.0	4.8 4.8	5/16 5/16	RL RL	POE POE	30 30	26 26
ARJ11K1-CAV ARN1-0100-CAV AJA4512AXD	208/230-1 208/230-1 208/230-1	11.3 11.3 11.9	6.6 6.6 6.6	10.7 10.7 10.7	8.0 8.0 8.0	4.8 4.8 4.8	5/16 5/16 5/16	RL RL 1	AB AB	30 30 22	28 28
ARJ84C1E-IAV AR84C1E-IAV AJA4492YXD	208/230-1 208/230-1 208/230-1	8.6 8.6 11.9	6.5 6.5 6.6	11.4 11.4 10.7	8.0 8.0 8.0	4.8 4.8 4.8	5/16 5/16 5/16	RL RL 1	POE POE	30 30 26	26
ARJ84C1-IAV ARM1-0075-IAV AJA4492AXD H10B103BBC	208/230-1 208/230-1 208/230-1	11.3 11.3 11.9	6.6 6.6 6.6	10.2 10.2 10.7	8.0 8.0 8.0	4.8 4.8 4.8	5/16 5/16 5/16	RL RL 1	AB AB	19 19 22	17 17

Compressor Data

“A” Compressors

Model	R12					R134a				
	App	RLA	BTUH	Watts	Amps	App	RLA	BTUH	Watts	Amps
ARJ84C1-IAA	HT	7.2	10047	1250	14.5					
ARM1-0075-IAA	HT	7.2	10047	1250	14.5					
AJA4492AXA	HT		9150	1220	13.7					
H1NB113ABA	HT		10203							
ART51C1E-IAA						HT	9.3	5050	840	9.3
AR51C1E-IAA						HT	9.3	4880	830	9.1
JR53C1E-IAA						HT	10.4	5300	855	9.3
ART51C1-IAA	HT	9.3	5644	810	9.1					
ARH1-0049-IAA	HT	9.3	5360	810	9.1					
JRL4-0050-IAA	HT	8.4	5510	860	9.7					
AJ4461A	HT		5198							
AJ4461B	HT		5198							
CAJ2P	HT		5198							
CAJ2612	HT		5198							
S2S16	HT		5568							
C2513	HT		5698							
B2513	HT		5698							
H10B612EBA	HT		5593							
T6213A	HT		5180							
H45	HT		5346							
YH50	HT		5744							
ART51C1E-IAV						HT	4.8	4880	830	4.5
AR51C1E-IAV						HT	4.8	4880	830	4.5
JR53C1E-IAV						HT	5.0	5300	855	4.7
ART51C1-IAV	HT	9.3	5644	810	9.3					
JRL4-0050-IAV	HT	4.5	5510	860	4.9					
H10B612EBC	HT		5510							
ART62C1E-IAA						HT	11.0	5880	970	11.5
AR62C1E-IAA	HT					HT	11.0	5880	970	11.5
AKA4460YXA	HT					HT	9.5	5733	850	9.5
ART62C1-IAA	HT	10.6	5907	920	10.6					
ARK1-0050-IAA	HT	10.6	5757	920	10.6					
AJA4461AXA	HT		6100	900	9.1					
T6215A	HT		5382							
H50	HT		6012							

Compressor Data

Model	Volts/ Phase	Dimensions (inches)			Mounting (inches)		Connections (inches)		Oil Type	Oil Charge (ounces)	
		L	W	H	L	W	Disch	Suct		Initial	Recharge
ARJ84C1-IAA	115-1	11.3	6.6	10.2	8.0	4.8	5/16	RL	AB	19	17
<i>ARM1-0075-IAA</i>	115-1	11.3	6.6	10.2	8.0	4.8	5/16	RL	AB	19	17
<i>AJA4492AXA</i>	115-1	11.9	6.6	10.7	8.0	4.8	5/16	1 RL		22	
<i>H1NB113ABA</i>	115-1			12.3	8.0	4.8				40	
ART51C1E-IAA	115-1	11.4	6.5	7.9	8.0	4.8	1/4	3/8	POE	19	17
<i>AR51C1E-IAA</i>	115-1	11.4	6.5	7.9	8.0	4.8	1/4	5/16	POE	19	15
<i>JR53C1E-IAA</i>	115-1	9.8	6.4	8.3	7.0	7.0	1/4	5/16	POE	20	18
ART51C1-IAA	115-1	10.9	6.5	7.9	8.0	4.8	1/4	5/16	AB	19	17
<i>ARH1-0049-IAA</i>	115-1	10.9	6.5	7.9	8.0	4.8	1/4	5/16	AB	19	17
<i>JRL4-0050-IAA</i>	115-1	11.5	8.5	8.6	7.0	7.0	1/4	5/16	MO	20	18
<i>AJ4461A</i>											
<i>AJ4461B</i>											
<i>CAJ2P</i>											
<i>CAJ2612</i>											
<i>S2S16</i>											
<i>C2513</i>											
<i>B2513</i>											
<i>H10B612EBA</i>	115-1			12.3	8.0	4.8				40	
<i>T6213A</i>	115-1										
<i>H45</i>											
<i>YH50</i>											
ART51C1E-IAV	208/230-1	11.4	6.5	7.9	8.0	4.8	1/4	3/8	POE	19	17
<i>AR51C1E-IAV</i>	208/230-1	11.4	6.5	7.9	8.0	4.8	1/4	5/16	POE	19	15
<i>JR53C1E-IAV</i>	208/230-1	9.8	6.4	8.3	7.0	7.0	1/4	5/16	POE	20	18
ART51C1-IAV	208/230-1	10.9	6.5	7.9	8.0	4.8	1/4	5/16	AB	19	17
<i>JRL4-0050-IAV</i>	208/230-1	11.5	8.5	7.9	7.0	7.0	1/4	1/3		20	18
<i>H10B612EBC</i>	208/230-1			12.3	8.0	4.8					
ART62C1E-IAA	115-1	11.4	6.5	8.7	8.0	4.8	1/4	3/8	POE	24	22
<i>AR62C1E-IAA</i>	115-1	11.4	6.5	8.7	8.0	4.8	1/4	3/8	POE	24	20
<i>AKA4460YXA</i>	115-1	11.4	7.3	8.8	8.0	4.8	1/4	3/4		17	
ART62C1-IAA	115-1	10.9	6.8	8.9	8.0	4.8	1/4	5/16	AB	22	20
<i>ARK1-0050-IAA</i>	115-1	10.9	6.8	8.9	8.0	4.8	1/4	5/16	AB	22	20
<i>AJA4461AXA</i>	115-1			10.2	8.0	4.8	1/4	3/8		22	
<i>T6215A</i>	115-1										
<i>H50</i>											

Compressor Data

“A” Compressors

Model	R12					R134a				
	App	RLA	BTUH	Watts	Amps	App	RLA	BTUH	Watts	Amps
ART62C1E-IAV <i>AR62C1E-IAV</i> <i>AKA4460YXD</i>						HT	5.4	6100	960	5.4
						HT	5.4	5880	960	5.4
						HT	4.8	5557	833	4.7
ART64C1E-IAA <i>AR64C1E-IAA</i> <i>AKA9434AXA</i> <i>AKA4476YXA</i>	MT		3350	675	7.8	HT	11.0	6400	1050	11.3
		HT				11.0	6400	1050	11.3	
		HT				11.3	6990	1070	11.3	
ART64C1E-IAV <i>AR64C1E-IAV</i> <i>AKA4476YXD</i> <i>AJA4461AXD</i>	HT		6100	900	4.5	HT	6.2	6360	1070	6.0
		HT				6.2	6360	1070	6.0	
		HT				5.7	6930	1050	5.7	

Compressor Data

Model	Volts/ Phase	Dimensions (inches)			Mounting (inches)		Connections (inches)		Oil Type	Oil Charge (ounces)	
		L	W	H	L	W	Disch	Suct		Initial	Recharge
ART62C1E-IAV	208/230-1	11.4	6.5	8.7	8.0	4.8	1/4	3/8	POE	24	22
<i>AR62C1E-IAV</i>	208/230-1	11.4	6.5	8.7	8.0	4.8	1/4	3/8	POE	24	22
<i>AKA4460YXD</i>	208/230-1	11.4	7.3	8.8	8.0	4.8	1/4	3/4		17	
ART64C1E-IAA	115-1	11.4	6.5	8.7	8.0	4.8	1/4	3/8	POE	19	17
<i>AR64C1E-IAA</i>	115-1	11.4	6.5	8.7	8.0	4.8	1/4	3/8	POE	19	15
<i>AKA9434AXA</i>	115-1	11.4	7.3	8.8	8.0	4.8	1/4	3/4		15	
<i>AKA4476YXA</i>	115-1	10.8	7.5	9.1			1/4	3/8		17	
ART64C1E-IAV	208/230-1	11.4	6.5	8.7	8.0	4.8	1/4	3/8	POE	19	17
<i>AR64C1E-IAV</i>	208/230-1	11.4	6.5	8.7	8.0	4.8	1/4	3/8	POE	19	15
<i>AKA4476YXD</i>	208/230-1	10.8	7.5	9.1			1/4	3/8		17	
<i>AJA4461AXD</i>	208/230-1			10.2	8.0	4.8	5/16	3/4		22	

Compressor Data

“A” Compressors

Model	R22					R404A				
	App	RLA	BTUH	Watts	Amps	App	RLA	BTUH	Watts	Amps
AFE11C3E-IAA <i>AF11C1E-IAA</i> <i>AS10C1E-IAA</i> <i>AEA2411ZXA</i>						EMT	5.9	980	380	5.5
						EMT	5.6	1040	410	5.9
						EMT	5.9	1040	410	5.9
						LT	5.9	1100	410	5.9
AFE13C3E-IAA <i>AF13C1E-IAA</i> <i>AS13C1E-IAA</i>						EMT	6.4	1450	510	6.0
						EMT	6.4	1460	490	5.8
						EMT	5.8	1440	490	5.9
No Replacement <i>AFF2-0025-IAA</i>	LT	5.4	970	350	5.2					
No Replacement <i>AFH3-0033-IAA</i> <i>AEA1415EXA</i>	LT	5.6	1490	400	4.9					
	LT		1500	410	5.2					
AFJ31C1E-CFV <i>AF31C1E-CFV</i> <i>AS31C1E-CFV</i>						EMT	5.4	3240	1000	5.0
						EMT	5.4	3240	1000	5.0
						EMT	5.4	3240	1000	5.0
No Replacement <i>AF37C1E-CFA</i> <i>AWA2440ZXA</i>						EMT		3753	1260	6.2
						LT		3700		
AFJ37C1E-CFV <i>AF37C1E-CFV</i> <i>AWA2440ZXD</i>						EMT	6.2	3750	1260	3.1
						EMT	6.2	3750	1260	3.1
						LT		3700		
AFT18C1E-IAA <i>AF18C1E-IAA</i> <i>AS18C1E-IAA</i>						EMT	7.9	1610	590	7.6
						EMT	7.9	1710	580	7.7
						EMT	7.9	1660	580	7.7
AFT22C1E-CFV <i>AF22C1E-CFV</i>						EMT	3.7	2090	700	3.2
						EMT	3.7	2110	650	2.9
AFT22C1E-IAA <i>AF22C1E-IAA</i> <i>AS22C1E-IAA</i> <i>AJA2419ZXA</i>						EMT	9.2	2160	760	9.3
						EMT	9.2	2110	710	9.1
						EMT	9.2	2150	710	9.1
						LT	6.7	1865	600	6.7
AFT26C1E-CFA <i>AF26C1E-CFA</i> <i>AS26C1E-IAA</i> <i>AJA2425ZXA</i>						EMT	7.7	2520	910	8.7
						EMT	7.7	2740	910	8.7
						EMT	7.7	2520	910	8.7
						LT	7.9	2450	755	7.9

Compressor Data

Model	Volts/ Phase	Dimensions (inches)			Mounting (inches)		Connections (inches)		Oil Type	Oil Charge (ounces)	
		L	W	H	L	W	Disch	Suct		Initial	Recharge
AFE11C3E-IAA	115-1	10.5	6.0	8.1	6.5	4.0	1/4	5/16	POE	15	13
<i>AF11C1E-IAA</i>	115-1	9.4	6.0	8.3	6.5	4.0	3/16	5/16	POE	15	12
<i>AS10C1E-IAA</i>	115-1	10.5	6.0	8.1	6.5	4.0	1/4	5/16	POE	15	13
<i>AEA2411ZXA</i>	115-1	10.4	6.2	7.6	6.5	4.0	1/4	5/16		16	
AFE13C3E-IAA	115-1	10.5	6.0	8.6	6.5	4.0	1/4	5/16	POE	15	13
<i>AF13C1E-IAA</i>	115-1	9.4	6.0	8.3	6.5	4.0	1/4	5/16	POE	15	12
<i>AS13C1E-IAA</i>	115-1	10.5	6.0	8.6	6.5	4.0	1/4	5/16	POE	15	13
No Replacement											
<i>AFF2-0025-IAA</i>	115-1	10.8	6.0	8.1	4.0	8.5	1/4	5/16	AB	16	14
No Replacement											
<i>AFH3-0033-IAA</i>	115-1	9.6	6.1	8.0	6.5	4.0	3/16	5/16	AB	16	14
<i>AEA1415EXA</i>	115-1			8.5	6.5	4.0	1/4	5/16		16	
AFJ31C1E-CFV	208/230-1	9.3	6.5	11.5	8.0	4.8	1/4	RL	POE	30	26
<i>AF31C1E-CFV</i>	208/230-1	9.3	6.5	11.5	8.0	4.8	1/4	RL	POE	30	26
<i>AS31C1E-CFV</i>	208/230-1	9.3	6.5	11.5	8.0	4.8	1/4	RL	POE	30	26
No Replacement											
<i>AF37C1E-CFA</i>	115-1	9.3	6.5	10.9	8.0	4.8	1/4	RL	POE	30	28
<i>AWA2440ZXA</i>	115-1						3/8	5/8	POE		
AFJ37C1E-CFV	208/230-1	9.3	6.5	10.9	8.0	4.8	1/4	RL	POE	30	28
<i>AF37C1E-CFV</i>	208/230-1	9.3	6.5	10.9	8.0	4.8	1/4	RL	POE	30	28
<i>AWA2440ZXD</i>	208/230-1						3/8	5/8	POE		
AFT18C1E-IAA	115-1	11.4	6.7	8.7	8.0	4.8	1/4	3/8	POE	21	19
<i>AF18C1E-IAA</i>	115-1	11.4	6.5	9.3	7.0	4.5	1/4	3/8	POE	21	18
<i>AS18C1E-IAA</i>	115-1	11.4	6.7	8.7	8.0	4.8	1/4	3/8	POE	21	19
AFT22C1E-CFV	208/230-1	11.4	6.7	8.7	8.0	4.8	1/4	3/8	POE	21	19
<i>AF22C1E-CFV</i>	208/230-1	11.4	6.7	8.7	8.0	4.8	1/4	3/8	POE	21	19
AFT22C1E-IAA	115-1	11.4	6.7	8.7	8.0	4.8	1/4	3/8	POE	21	19
<i>AF22C1E-IAA</i>	115-1	11.4	6.7	8.7	8.0	4.8	1/4	3/8	POE	21	19
<i>AS22C1E-IAA</i>	115-1	11.4	6.7	8.7	8.0	4.8	1/4	3/8	POE	21	19
<i>AJA2419ZXA</i>	115-1	11.8	6.7	10.7	8.0	4.8	5/16	3/4		26	
AFT26C1E-CFA	115-1	11.4	6.7	8.7	8.0	4.8	1/4	3/8	POE	21	19
<i>AF26C1E-CFA</i>	115-1	11.4	6.7	8.7	8.0	4.8	1/4	3/8	POE	21	19
<i>AS26C1E-IAA</i>	115-1	11.4	6.7	8.7	8.0	4.8	1/4	3/8	POE	21	19
<i>AJA2425ZXA</i>	115-1	11.4	6.6	10.5	8.0	4.8	1/4	3/8		26	

Compressor Data

“A” Compressors

Model	R22					R404A				
	App	RLA	BTUH	Watts	Amps	App	RLA	BTUH	Watts	Amps
AFT26C1E-CFV <i>AF26C1E-CFV</i> <i>AS26C1E-CFV</i> <i>AJA2425ZXD</i>						EMT	4.6	2580	850	3.9
						EMT	4.6	2740	850	3.9
						EMT	4.6	2580	850	3.9
						LT	4.4	2450	815	4.4
AFT29C1E-CFA <i>AF29C1E-CFA</i> <i>AS29C1E-IAA</i>						EMT	9.7	3020	950	9.1
						EMT	9.7	3020	950	9.1
						EMT	9.7	3020	950	9.1
AFT29C1E-CFV <i>AF29C1E-CFV</i>						EMT	5.0	3020	950	4.5
						EMT	5.0	3020	950	4.9
ARB21C3-IAA	HT	4.8	2150	400	4.9					
	MT	4.8	1260	310	4.3					
<i>ARD4-0022-IAA</i>	HT	4.4	2150	395	4.8					
	MT	4.4	1260	310	4.3					
ARE36C3-IAA	HT	6.7	3680	590	6.8					
	MT	6.7	2060	440	5.5					
<i>ARE4-0025-IAA</i>	HT	6.7	3680	560	6.7					
	MT	6.7	2040	440	5.7					
ARE36C3-SAA	HT	6.5	3680	590	6.8					
	MT	6.5	2040	440	5.7					
<i>ARE5-0025-SAA</i>	HT	6.5	3680	560	6.7					
	MT	6.6	2040	440	5.7					
ARE43C3-IAA	HT	7.1	4080	680	7.4					
	MT	7.1	2410	510	6.3					
<i>ARF4-0033-IAA</i>	HT	7.1	4270	660	7.0					
	MT	7.1	2430	510	6.3					
<i>JSS5-0050-IAA</i>	HT	7.1	4410	640	8.0					
<i>AEA9422EXA</i>	MT	6.1	2247	467	6.0					
ARE47C3-IAA	HT	7.9	4700	740	8.4					
	MT	7.9	2810	560	6.9					
<i>JRS4-0050-IAA</i>	HT	7.1	4740	610	5.2					
ARE59C3-CAA	HT	8.0	5780	870	7.9					
	MT	8.0	3380	640	5.7					
<i>ARG4-0051-CAA</i>	HT	8.0	5800	850	7.7					
	MT	8.0	3380	640	5.8					
<i>JRE1-0050-IAA</i>	HT	8.6	5540	900	10.0					

Compressor Data

Model	Volts/ Phase	Dimensions (inches)			Mounting (inches)		Connections (inches)		Oil Type	Oil Charge (ounces)	
		L	W	H	L	W	Disch	Suct		Initial	Recharge
AFT26C1E-CFV	208/230-1	11.4	6.7	8.7	8.0	4.8	1/4	3/8	POE	21	19
<i>AF26C1E-CFV</i>	208/230-1	11.4	6.7	8.7	8.0	4.8	1/4	3/8	POE	21	19
<i>AS26C1E-CFV</i>	208/230-1	11.4	6.7	8.7	8.0	4.8	1/4	3/8	POE	21	19
<i>AJA2425ZXD</i>	208/230-1	11.4	6.6	10.7	8.0	4.8	1/4	3/8		26	
AFT29C1E-CFA	115-1	11.4	6.7	8.7	8.0	4.8	1/4	3/8	POE	21	19
<i>AF29C1E-CFA</i>	115-1	11.4	6.7	8.7	8.0	4.8	1/4	3/8	POE	21	18
<i>AS29C1E-IAA</i>	115-1	11.4	6.7	8.7	8.0	4.8	1/4	3/8	POE	21	19
AFT29C1E-CFV	208/230-1	11.4	6.7	8.7	8.0	4.8	1/4	3/8	POE	21	19
<i>AF29C1E-CFV</i>	208/230-1	11.4	6.7	8.7	8.0	4.8	1/4	3/8	POE	21	18
ARB21C3-IAA	115-1	10.5	6.0	7.6	6.5	4.0	1/4	5/16	AB	16	14
<i>ARD4-0022-IAA</i>	115-1	9.4	6.0	7.9	6.5	4.0	1/4	5/16	AB	16	12
ARE36C3-IAA	115-1	10.5	6.0	8.1	6.5	4.0	1/4	5/16	AB	16	14
<i>ARE4-0025-IAA</i>	115-1	9.4	6.0	8.5	6.5	4.0	1/4	5/16	AB	16	12
ARE36C3-SAA	115-1	10.5	6.0	8.1	6.5	4.0	1/4	5/16	AB	16	14
<i>ARE5-0025-SAA</i>	115-1	9.4	6.0	8.5	6.5	4.0	1/4	5/16	AB	16	12
ARE43C3-IAA	115-1	10.5	6.0	8.1	6.5	4.0	1/4	5/16	AB	16	14
<i>ARF4-0033-IAA</i>	115-1	9.4	6.0	8.5	6.5	4.0	1/4	5/16	AB	16	12
<i>JSS5-0050-IAA</i>	115-1	9.3	6.4	7.9	8.0	4.8	1/4	3/8	MO	24	22
<i>AEA9422EXA</i>	115-1	10.4	6.1	7.4	6.5	4.0	1/4	5/16		10	
ARE47C3-IAA	115-1	9.4	6.0	8.8	6.5	4.0	1/4	5/16	AB	16	12
<i>JRS4-0050-IAA</i>	115-1	11.5	8.5	9.8	8.0	4.8	1/4	3/8	MO	16	14
ARE59C3-CAA	115-1	10.5	6.0	8.6	6.5	4.0	1/4	5/16	AB	13	11
<i>ARG4-0051-CAA</i>	115-1	9.4	6.0	8.9	6.5	4.0	1/4	5/16	AB	13	12
<i>JRE1-0050-IAA</i>	115-1	9.8	8.3	8.3	7.0	7.0	1/4	5/16	MO	16	14

Compressor Data

“A” Compressors

Model	R22					R404A				
	App	RLA	BTUH	Watts	Amps	App	RLA	BTUH	Watts	Amps
ARE59C3-CAA	HT	8.0	5780	870	7.9					
	MT	8.0	3380	640	5.7					
<i>JSE5-0051-CAA</i>	MT	9.2	3590	680	6.6					
<i>AKA9428EXA</i>	MT	7.3	3063	564	7.3					
<i>AK847SE</i>	HT		6012							
<i>AE5470E</i>	HT		6285							
<i>AK5470E</i>	HT		6285							
ARE59C3-CAV	HT	4.0	5750	840	4.0					
	MT	4.0	3290	650	3.1					
<i>ARG4-0051-CAV</i>	HT	4.0	5800	850	7.7					
	MT	4.0	3380	640	3.1					
<i>JRE1-0050-IAV</i>	HT	5.0	5540	900	5.0					
<i>JSE5-0051-PAV</i>	MT	4.5	3590	680	3.3					
<i>AKA9428EXD</i>	MT	3.7	3124	537	3.7					
ART69C1-IAA	HT	11.4	6900	910	9.6					
	MT	11.4	3380	570	6.9					
<i>ARG4-0055-IAA</i>	HT	11.4	6900	910	9.6					
<i>JRF4-0050-IAA</i>	HT	13.6	7360	1090	13.0					
<i>JRF4-0075-PAA</i>	HT	9.4	7370	1090	13.1					
<i>AJ5470E</i>	HT		6331							
<i>AJ5471E</i>	HT		6331							
<i>AJ4</i>	HT		6331							
<i>AJ14</i>	HT		6331							
<i>AU4</i>	HT		6331							
<i>AU14</i>	HT		6331							
<i>AK8483E</i>	HT		6660							
<i>AJ8494</i>	HT		6854							
<i>AJ5478E</i>	HT		7002							
<i>B8413</i>	HT		7002							
<i>S7N16</i>	HT		7094							
<i>YCH176VA</i>	HT		7270							
ART69C1-IAV	HT	6.1	6900	910	4.7					
	MT	6.1	3380	570	3.4					
<i>ARG4-0055-IAV</i>	HT	6.1	6900	910	4.7					
<i>JRF4-0050-IAV</i>	HT	6.4	7360	1090	7.0					
<i>JRF4-0075-PAV</i>	HT	4.5	7370	1090	6.6					

Compressor Data

Model	Volts/ Phase	Dimensions (inches)			Mounting (inches)		Connections (inches)		Oil Type	Oil Charge (ounces)	
		L	W	H	L	W	Disch	Suct		Initial	Recharge
ARE59C3-CAA	115-1	10.5	6.0	8.6	6.5	4.0	1/4	5/16	AB	13	11
<i>JSE5-0051-CAA</i>	115-1	9.3	6.4	9.0	8.0	4.8	1/4	3/8	POE	24	22
<i>AKA9428EXA</i>	115-1	11.4	7.3	8.8			1/4	3/4		15	
<i>AK847SE</i>											
<i>AE5470E</i> <i>AK5470E</i>											
ARE59C3-CAV	208/230-1	10.5	6.0	8.6	6.5	4.0	1/4	5/16	AB	13	11
<i>ARG4-0051-CAV</i>	208/230-1	9.4	6.0	8.9	6.5	4.0	1/4	5/16	AB	13	12
<i>JRE1-0050-IAV</i>	208/230-1	9.8	8.3	8.3	7.0	7.0	1/4	5/16	MO	16	14
<i>JSE5-0051-PAV</i>	208/230-1	9.3	6.4	9.0	8.0	4.8	1/4	3/8	POE	24	22
<i>AKA9428EXD</i>	208/230-1	11.4	7.3	8.8			1/4	3/4		15	
ART69C1-IAA	115-1	9.6	6.6	8.6	8.0	4.8	1/4	3/8	AB	24	22
<i>ARG4-0055-IAA</i>	115-1	9.6	6.6	8.6	8.0	4.8	1/4	3/8	AB	24	22
<i>JRF4-0050-IAA</i>	115-1	10.5	6.0	8.6	6.5	4.0	1/4	5/16	MO	16	14
<i>JRF4-0075-PAV</i>	115-1	11.5	8.5	9.0	4.8	8.0	1/4	3/8	MO	16	14
<i>AJ5470E</i>											
<i>AJ5471E</i>											
<i>AJ4</i>											
<i>AJ14</i>											
<i>AU4</i>											
<i>AU14</i>											
<i>AK8483E</i>											
<i>AJ8494</i>											
<i>AJ5478E</i>											
<i>B8413</i>											
<i>S7N16</i>											
<i>YCH176VA</i>											
ART69C1-IAV	208/230-1	9.6	6.6	8.6	8.0	4.8	1/4	3/8	AB	24	22
<i>ARG4-0055-IAV</i>	208/230-1	9.6	6.6	8.6	8.0	4.8	1/4	3/8	AB	24	22
<i>JRF4-0050-IAV</i>	208/230-1	10.5	6.0	8.6	6.5	4.0	1/4	5/16	MO	16	14
<i>JRF4-0075-PAV</i>	208/230-1	11.5	8.5	9.0	4.8	8.0	1/4	3/8	MO	16	14

Compressor Data

“A” Compressors

Model	R22					R404A				
	App	RLA	BTUH	Watts	Amps	App	RLA	BTUH	Watts	Amps
ART82C1-CAA	HT	11.8	7990	1200	10.8					
	MT	11.8	4030	710	8.3					
<i>ARM3-0076-CAA</i>	HT	11.8	8189	1120	11.6					
	MT	11.8	4030	710	8.3					
<i>AK5483E</i>	HT		7455							
<i>AJ16</i>	HT		7455							
<i>AU16</i>	HT		7455							
<i>RK5480</i>	HT		7492							
<i>AJK8494E</i>	HT		7492							
<i>S7R16</i>	HT		7862							
<i>T7220G</i>	HT		8445							
<i>H75A</i>	HT		7797							
<i>YCH204VA</i>	HT		8352							
ART82C1-CAV	HT	5.9	7830	1160	5.3					
	MT	5.9	4030	710	4.0					
<i>ARM3-0076-CAV</i>	HT	5.9	8189	1120	5.6					
	MT	5.9	4030	710	4.0					
ART97C1-PAA	HT	11.1	9700	1370	14.3					
	MT	11.1	4790	870	10.8					
<i>ARN3-0100-PAA</i>	HT	11.1	9700	1370	14.3					
	MT	11.1	4790	870	10.8					
<i>JSH5-0075-CAA</i>	MT	10.0	4900	930	8.4					
<i>JRL4-0100-PAA</i>	HT	10.9	9890							
<i>JSL5-0075-CAA</i>	MT	10.6	5280	980	9.3					
<i>JRH4-0100-PAA</i>	HT	11.1	9030	1180	10.4					
<i>AKA9455EXA</i>	MT		5681	952	8.8					
<i>AKA9442EXA</i>	MT	8.8	4421	726	8.7					
<i>T7223G</i>	HT		9879							
<i>YCH213VA</i>	HT		8981							
<i>YCH232VA</i>	HT		9879							
<i>YCH250VA</i>	HT		10776							
<i>J7225E</i>	HT		10776							
ART97C1-PAV	HT	6.3	9700	1370	7.0					
	MT	6.3	4790	870	5.3					
<i>ARN3-0100-PAV</i>	HT	6.3	9700	1370	7.0					
	MT	6.3	4790	870	5.3					
<i>JRL4-0100-PAV</i>	HT	5.6	9890	1290	5.6					
<i>JRG4-0100-PAV</i>	HT	5.9	9890	1230	5.6					
<i>JSL5-0075-PAV</i>	MT	5.4	5280	970	9.2					
<i>JSH5-0075-PAV</i>	MT	5.6	4900	940	4.2					
<i>JRH4-0100-PAV</i>	HT	5.4	9030	1180	5.2					
<i>AKA9442EXD</i>	MT	4.0	4441	743	3.9					

Compressor Data

Model	Volts/ Phase	Dimensions (inches)			Mounting (inches)		Connections (inches)		Oil Type	Oil Charge (ounces)		
		L	W	H	L	W	Disch	Suct		Initial	Recharge	
ART82C1-CAA	115-1	9.6	6.6	8.8	8.0	4.8	1/4	3/8	AB	24	22	
<i>ARM3-0076-CAA</i>	115-1	9.6	6.6	8.8	8.0	4.8	1/4	3/8	AB	24	22	
<i>AK5483E</i>	115-1	9.6	6.6	8.8	8.0	4.8	1/4	3/8	AB	24	22	
<i>AJ16</i>												
<i>AU16</i>												
<i>RK5480</i>												
<i>AJK8494E</i>												
<i>S7R16</i>												
<i>T7220G</i>												9.5
<i>H75A</i>												
<i>YCH204VA</i>												
ART82C1-CAV												208/230-1
<i>ARM3-0076-CAV</i>	208/230-1	9.8	6.7	8.7	7.0	4.5	1/4	3/8	AB	15	22	
ART97C1-PAA	115-1	9.8	6.7	8.7	8.0	4.8	1/4	3/8	AB	15	13	
<i>ARN3-0100-PAA</i>	115-1	9.8	6.7	8.7	8.0	4.8	1/4	3/8	AB	15	13	
<i>JSH5-0075-CAA</i>	115-1	9.3	6.4	9.0	8.0	4.8	1/4	3/8	POE	24	22	
<i>JRL4-0100-PAA</i>	115-1	11.5	8.5	9.0	8.0	4.8	1/4	3/8	MO	16	14	
<i>JSL5-0075-CAA</i>	115-1	11.5	8.5	9.0	4.8	8.0	1/4	3/8	AB	20	18	
<i>JRH4-0100-PAA</i>	115-1	11.5	8.5	9.0	8.0	4.8	1/4	3/8	MO	16	14	
<i>AKA9455EXA</i>	115-1	11.4	7.3	8.8	8.0	4.8	1/4	3/4	MO	15	13	
<i>AKA9442EXA</i>	115-1	11.4	7.3	8.8	8.0	4.8	1/4	3/4		15		
<i>T7223G</i>	115-1			9.5								
<i>YCH213VA</i>												
<i>YCH232VA</i>												
<i>YCH250VA</i>												
<i>J7225E</i>												
ART97C1-PAV	208/230-1	9.8	6.7	8.7	8.0	4.8	1/4	3/8	AB	15	13	
<i>ARN3-0100-PAV</i>	208/230-1	9.8	6.7	8.7	8.0	4.8	1/4	3/8	AB	15	13	
<i>JRL4-0100-PAV</i>	208/230-1	11.5	8.5	9.0	8.0	4.8	1/4	3/8	MO	16	14	
<i>JRG4-0100-PAV</i>	208/230-1	11.5	8.5	9.0	8.0	4.8	1/4	3/8	MO	16	14	
<i>JSL5-0075-PAV</i>	208/230-1	11.5	8.5	9.0	8.0	4.8	1/4	3/8	MO	20	18	
<i>JSH5-0075-PAV</i>	208/230-1	11.5	8.5	9.0	4.8	8.0	1/4	3/8		20	18	
<i>JRH4-0100-PAV</i>	208/230-1	11.5	8.5	9.0	8.0	4.8	1/4	3/8	MO	16	14	
<i>AKA9442EXD</i>	208/230-1	11.4	7.3	8.8	8.0	4.8	1/4	3/4	MO	15	13	

Compressor Data

“A” Compressors

Model	R22					R404A				
	App	RLA	BTUH	Watts	Amps	App	RLA	BTUH	Watts	Amps
ASB12C3E-IAA <i>AS12C1E-IAA</i>						MT	5.3	1250	340	4.3
						MT	5.3	1280	370	4.7
ASB14C3E-IAA <i>AS14C1E-IAA</i> <i>AEA9415ZXA</i> <i>AEA0415ZXA</i>						MT	6.8	1530	470	6
						MT	6.8	1540	460	5.8
						MT	4.5	1490	383	4.4
						MT	4.0	1450	345	4.0
ASE19C3E-IAA <i>AS19C1E-IAA</i> <i>JS19C1E-IAA</i>						MT	8.0	1890	430	5.5
						MT	8.0	1890	510	6.1
						MT	6.8	1870	480	6.3
ASE24C3E-IAA <i>AS24C1E-IAA</i> <i>JS25C1E-IAA</i> <i>AKA9427ZXA</i>						MT	6.0	2290	560	6.7
						MT	7.4	2500	560	6.6
						MT	7.1	2480	579	6.9
						MT	7.8	2700	549	7.5
ASE24C3E-IAV <i>AS24C1E-IAV</i> <i>AKA9427ZXD</i>						MT	4.18	2500	560	3.2
						MT	4.2	2500	560	3.6
						MT	3.8	2700	600	3.8
ASE32C3E-CAA <i>AS32C1E-CAA</i> <i>JS35C1E-CAA</i>						MT	9.2	3330	740	6.7
						MT	9.2	3250	700	6.3
						MT	9.2	3530	775	7.1
ASE32C3E-CAV <i>AS32C1E-CAV</i> <i>JS35C1E-CAV</i>						MT	4.9	3320	730	3.4
						MT	4.9	3250	700	3.3
						MT	5.0	3530	775	7.1
AST40C1E-IAA <i>AS40C1E-IAA</i> <i>AS37C1E-IAA</i> <i>AKA9438ZXA</i>						MT	13.0	3610	890	10.2
						MT	13.0	3610	890	10.2
						MT	13.0	3610	890	10.2
						MT	9.2	3750	800	9.2
AST40C1E-IAV <i>AS40C1E-IAV</i> <i>AKA9438ZXD</i>						MT	6.9	3610	890	5.4
						MT	6.9	3610	890	5.4
						MT	4.3	3750	815	4.1
AST45C1E-CAV <i>AS45C1E-CAV</i>						MT	6.5	4230	1010	5.4
						MT	6.5	4230	1010	5.4

Compressor Data

Model	Volts/ Phase	Dimensions (inches)			Mounting (inches)		Connections (inches)		Oil Type	Oil Charge (ounces)	
		L	W	H	L	W	Disch	Suct		Initial	Recharge
ASB12C3E-IAA	115-1	11	6.0	7.6	6.5	4.0	1/4	5/16	POE	15	13
<i>AS12C1E-IAA</i>	115-1	9.4	6.0	7.8	6.5	4.0	3/16	1/4	POE	15	12
ASB14C3E-IAA	115-1	10.5	6.0	7.6	6.5	4.0	1/4	5/16	POE	15	13
<i>AS14C1E-IAA</i>	115-1	9.4	6.0	7.8	6.5	4.0	3/16	1/4	POE	15	12
<i>AEA9415ZXA</i>	115-1	10.4	5.5	8.1	6.5	4.0	1/4	5/16		10	
<i>AEA0415ZXA</i>	115-1	10.4	7.0	7.6	6.5	4.0	1/4	5/16			
ASE19C3E-IAA	115-1	10.5	6.0	7.6	6.5	4.0	1/4	5/16	POE	16	14
<i>AS19C1E-IAA</i>	115-1	9.4	6.0	7.8	6.5	4.0	3/16	1/4	POE	16	12
<i>JS19C1E-IAA</i>	115-1	9.8	8.3	8.0	7.0	7.0	1/4	5/16	POE	20	18
ASE24C3E-IAA	115-1	10.5	6.0	8.1	6.5	4.0	1/4	5/16	POE	15	13
<i>AS24C1E-IAA</i>	115-1	9.4	6.0	8.3	6.5	4.0	1/4	5/16	POE	16	12
<i>JS25C1E-IAA</i>	115-1	9.8	8.3	7.5	7.0	7.0	1/4	5/16	POE	20	18
<i>AKA9427ZXA</i>	115-1	11.4	7.3	8.8			1/4	3/4		17	15
ASE24C3E-IAV	208/230-1	10.5	6.0	8.1	6.5	4.0	1/4	5/16	POE	15	13
<i>AS24C1E-IAV</i>	208/230-1	9.4	6.0	8.3	6.5	4.0	1/4	5/16	POE	16	12
<i>AKA9427ZXD</i>	208/230-1	11.4	7.3	8.8			1/4	3/4		17	
ASE32C3E-CAA	115-1	9.4	6.0	8.6	6.5	4.0	1/4	5/16	POE	12	10
<i>AS32C1E-CAA</i>	115-1	9.4	6.0	8.8	6.5	4.0	1/4	5/16	POE	12	10
<i>JS35C1E-CAA</i>	115-1	9.8	8.3	9.0	7.0	7.0	1/4	5/16	POE	20	18
ASE32C3E-CAV	208/230-1	9.4	6.0	8.6	6.5	4.0	1/4	5/16	POE	12	10
<i>AS32C1E-CAV</i>	208/230-1	9.4	6.0	8.8	6.5	4.0	1/4	5/16	POE	12	10
<i>JS35C1E-CAV</i>	208/230-1	9.8	8.3	9.4	7.0	7.0	1/4	5/16	POE	20	18
AST40C1E-IAA	115-1	9.6	6.3	7.6	8.0	4.8	1/4	3/8	POE	15	13
<i>AS40C1E-IAA</i>	115-1	9.6	6.3	7.6	8.0	4.8	1/4	3/8	POE	15	13
<i>AS37C1E-IAA</i>	115-1	9.6	6.3	7.6	8.0	4.8	1/4	3/8	POE	15	13
<i>AKA9438ZXA</i>	115-1	11.4	7.3	8.8	8.0	4.8	1/4	3/4		17	
AST40C1E-IAV	208/230-1	9.6	6.3	7.6	8.0	4.8	1/4	3/8	POE	15	13
<i>AS40C1E-IAV</i>	208/230-1	9.6	6.3	7.6	8.0	4.8	1/4	3/8	POE	15	13
<i>AKA9438ZXD</i>	208/230-1	11.4	7.3	8.8	8.0	4.8	1/4	3/4		17	
AST45C1E-CAV	208/230-1	9.6	6.7	8.7	8.0	4.8	1/4	3/8	POE	21	19
<i>AS45C1E-CAV</i>	208/230-1	9.6	6.7	8.7	8.0	4.8	1/4	3/8	POE	21	19

Compressor Data

“A” Compressors

Model	R22					R404A				
	App	RLA	BTUH	Watts	Amps	App	RLA	BTUH	Watts	Amps
AST45C1E-IAA						MT	15.3	4220	1010	11.2
<i>AS45C1E-IAA</i>						MT	15.3	4230	1010	11.1
AST54C1E-CAA						MT	15.8	5370	1180	11.5
<i>AS54C1E-CAA</i>						MT	15.8	5770	1150	12.0
<i>JS55C1E-CAA</i>						MT	11.8	5300	1080	9.2
<i>AKA9451ZX</i>						MT	9.4	5150	1080	9.4
<i>AKA9455ZX</i>						MT		5450	1160	10.1
AST54C1E-CAV						MT	7.8	5770	1150	6.5
<i>AS54C1E-CAV</i>						MT	7.8	5770	1150	6.5
<i>AKA9451ZXD</i>						MT	5.2	5080	1080	5.2
<i>AKA9455ZXD</i>						MT		5450	1200	5.7

Compressor Data

Model	Volts/ Phase	Dimensions (inches)			Mounting (inches)		Connections (inches)		Oil Type	Oil Charge (ounces)	
		L	W	H	L	W	Disch	Suct		Initial	Recharge
AST45C1E-IAA	115-1	9.6	6.7	8.7	8.0	4.8	1/4	3/8	POE	21	19
<i>AS45C1E-IAA</i>	115-1	9.6	6.7	8.7	8.0	4.8	1/4	3/8	POE	21	19
AST54C1E-CAA	115-1	9.6	6.3	7.6	8.0	4.8	1/4	3/8	POE	20	18
<i>AS54C1E-CAA</i>	115-1	9.6	6.3	7.6	8.0	4.8	1/4	3/8	POE	20	18
<i>JS55C1E-CAA</i>	115-1	9.8	8.3	9.0	7.0	7.0	1/4	5/16	POE	20	18
<i>AKA9451ZXA</i>	115-1	11.4	7.3	8.8			1/4	3/4	POE	17	15
<i>AKA9455ZXA</i>	115-1	11.4	7.3	8.8	8.0	4.8	1/4	3/4	POE	17	15
AST54C1E-CAV	208/230-1	9.6	6.3	7.6	8.0	4.8	1/4	3/8	POE	24	22
<i>AS54C1E-CAV</i>	208/230-1	9.6	6.3	7.6	8.0	4.8	1/4	3/8	POE	24	22
<i>AKA9451ZXD</i>	208/230-1	11.4	7.3	8.8			1/4	3/4	POE	17	15
<i>AKA9455ZXD</i>	208/230-1	11.4	7.3	8.8	8.0	4.8	1/4	3/4	POE	17	15

Wholesaler Notes

Wholesaler Notes

Wholesaler Notes

Wholesaler Notes

Compressor Data

“R” Compressors

Model	R12					R134a				
	App	RLA	BTUH	Watts	Amps	App	RLA	BTUH	Watts	Amps
RF18C2E-IAA <i>RF18C1E-IAA</i>						EMT	12.9	4920	960	12.6
						EMT	12.9	4920	960	12.6
RF18C2E-IAV <i>RF18C1E-IAV</i> <i>AJA2425AXD</i>	LT		2200	650	4.3	EMT	7.1	4920	960	6.3
						EMT	7.1	4920	960	6.3
RR10K2E-CAA <i>RRL6-0100-CAA</i> <i>B1T16</i> <i>AJ4512A</i> <i>JA100</i> <i>J6226A</i>	HT	12.1	10840	1430	13.2	HT	16.9	10000	1370	12.5
	HT		10776							
	HT		11044							
	HT		9564							
	HT		11100							
RR10K2E-CAV <i>RR10K1E-CAV</i> <i>RRL4-0100-CAV</i>	HT	7.3	10840	1430	6.7	HT	8.3	10000	1370	6.5
						HT	7.3	10000	1370	6.5
RR81C2E-IAA <i>RR81C1E-IAA</i> <i>RRS4-0075-IAA</i> <i>AJA4492YXA</i> <i>AJ4492E</i> <i>CAJR13</i> <i>C7616</i> <i>B7616</i> <i>YH75</i> <i>EH75</i> <i>H75T</i> <i>JG220A</i>	HT	13.3	8800	1300	13.0	HT	15.2	8070	1220	14.9
						HT	13.3	8070	1220	14.8
						HT	13.0	8007	1200	13.0
	HT		8214							
	HT		8214							
	HT		8214							
	HT		8214							
	HT		8038							
	HT		8038							
	HT		8315							
	HT		8880							
RR81C2E-IAV <i>RR81C1E-IAV</i> <i>RRS4-0075-IAV</i>	HT	6.5	8800	1300	6.5	HT	9.0	8070	1220	7.4
						HT	7.6	8070	1220	7.4
RS40C2-IAA <i>JFP1-0050-IAA</i>	LT	10.1	2147	560	7.6					
	LT	8.7	1980	550	6.9					

Compressor Data

Model	Volts/ Phase	Dimensions (inches)			Mounting (inches)		Connections (inches)		Oil Type	Oil Charge (ounces)	
		L	W	H	L	W	Disch	Suct		Initial	Recharge
RF18C2E-IAA <i>RF18C1E-IAA</i>	115-1 115-1	10.8 10.8	6.6 6.6	10.8 10.8	8.0 8.0	4.8 4.8	3/8 3/8	1/2 1/2	POE POE	24 24	20 20
RF18C2E-IAV <i>RF18C1E-IAV</i> <i>AJA2425AXD</i>	208/230-1 208/230-1 208/230-1	10.8 10.8 11.8	6.6 6.6 6.7	10.8 10.8 10.7	8.0 8.0 8.0	4.8 4.8 4.8	3/8 3/8 5/16	1/2 1/2 3/4	POE POE	24 24 22	20 20
RR10K2E-CAA <i>RRL6-0100-CAA</i> <i>B1T16</i> <i>AJ4512A</i> <i>JA100</i> <i>J6226A</i>	115-1 115-1	10.8 9.4	6.6 6.6	10.8 11.1	8 8.0	4.8 4.8	3/8 1/4	1/2 1/2	POE AB	24 24	20 20
RR10K2E-CAV <i>RR10K1E-CAV</i> <i>RRL4-0100-CAV</i>	208/230-1 208/230-1 208/230-1	10.8 10.8 9.4	6.6 6.6 6.6	10.8 11.3 11.1	8.0 8.0 8.0	4.8 4.8 4.8	3/8 3/8 1/4	1/2 1/2 1/2	POE POE AB	24 24 24	20 20 20
RR81C2E-IAA <i>RR81C1E-IAA</i> <i>RRS4-0075-IAA</i> <i>AJA4492YXA</i> <i>AJ4492E</i> <i>CAJR13</i> <i>C7616</i> <i>B7616</i> <i>YH75</i> <i>EH75</i> <i>H75T</i> <i>JG220A</i>	115-1 115-1 115-1 115-1	10.8 10.8 9.4 11.9	6.6 6.6 6.6 6.6	10.8 11.3 11.1 10.7	8.0 8.0 8.0 8.0	4.8 4.8 4.8 4.8	3/8 3/8 1/4 5/16	1/2 1/2 1/2 1 RL	POE POE AB	24 24 24 26	20 20
RR81C2E-IAV <i>RR81C1E-IAV</i> <i>RRS4-0075-IAV</i>	208/230-1 208/230-1 208/230-1	10.8 10.8 9.4	6.6 6.6 6.6	11.3 11.3 11.1	8.0 8.0 8.0	4.8 4.8 4.8	3/8 3/8 1/4	1/2 1/2 1/2	POE POE AB	24 24 24	20 20 20
RS40C2-IAA <i>JFP1-0050-IAA</i>	115-1 115-1	11.1 9.8	6.6 8.3	10.6 8.3	8.0 7.0	4.8 7.0	1/2 1/4	3/8 5/16	AB AB	24 20	20 18

Compressor Data

“R” Compressors

Model	R12					R134a				
	App	RLA	BTUH	Watts	Amps	App	RLA	BTUH	Watts	Amps
RS40C2E-IAA						MT	9.0	3990	840	10.6
<i>RS40C1E-IAA</i>						MT(1)		3530		
<i>RSN4-0050-IAA</i>	MT	9.0	4240	850	9.3	MT	9.0	3990	836	10.6
<i>RSF2-0050-IAA</i>	MT	9.9	3850	715	8.3					
<i>RSN2-0050-IAA</i>	MT	9.0	4240	850	9.3					
<i>AJA7441AXA</i>	MT(1)		3828	850	8.8					
<i>AKA9441AXA</i>	MT(1)		3576	800	9.2					
<i>C2516</i>	MT(1)		3620							
<i>B2516</i>	MT(1)		3620							
<i>AJ7441A</i>	MT(1)		3880							
<i>YM50V</i>	MT(1)		3910							
RS40C2E-IAV						MT	4.9	3990	840	5.3
<i>RS40C1E-IAV</i>						MT(1)		3530		
<i>RSN4-0050-IAV</i>	MT	4.9	4240	850	4.7	MT	4.9	3990	836	5.3
<i>RSF2-0050-IAV</i>	MT	5.3	3850	715	4.2					
<i>RSN2-0050-IAV</i>	MT	9.0	4240	850	4.5					
<i>AJA7441AXD</i>	MT(1)		3828	850	5.0					
RS54C2E-IAA						MT	11.8	5400	1070	13.9
<i>RS54C1E-IAA</i>						MT(1)		4700		
<i>RSL2-0075-IAA</i>	MT	11.8	5460	1175	13.0	MT	11.8	5400	1070	13.9
<i>AJA7461YXA</i>						MT	10.1	6000	1030	10.1
<i>C7P16</i>	MT(1)		5290							
<i>M50T</i>	MT(1)		4170							
RS54C2E-IAV						MT	6.8	5400	1070	7.0
<i>RS54C1E-IAV</i>						MT	6.8	5400	1070	7.0
<i>RSL2-0075-IAV</i>	MT	6.8	5460	1175	6.5					
<i>AJA7461YXD</i>						MT	6.4	6110	1100	6.4

Compressor Data

Model	Volts/ Phase	Dimensions (inches)			Mounting (inches)		Connections (inches)		Oil Type	Oil Charge (ounces)	
		L	W	H	L	W	Disch	Suct		Initial	Recharge
RS40C2E-IAA	115-1	10.8	6.6	10.8	8.0	4.8	3/8	1/2	POE	24	20
<i>RS40C1E-IAA</i>	115-1	10.8	6.6	11.3	8.0	4.8	3/8	1/2	POE	24	20
<i>RSN4-0050-IAA</i>	115-1	9.4	6.6	11.1	8.0	4.8	1/4	3/8	AB	24	20
<i>RSF2-0050-IAA</i>	115-1	9.4	6.6	10.6	8.0	4.8	1/4	3/8	AB	24	20
<i>RSN2-0050-IAA</i>	115-1	8.6	6.6	11.0	8.0	4.8	1/4	3/8	AB		
<i>AJA7441AXA</i>	115-1	11.8	6.6	10.7	8.0	4.8	5/16	3/4		22	
<i>AKA9441AXA</i>	115-1	11.4	7.3	8.8	8.0	4.8	1/4	3/4 RL		15	
<i>C2516</i>											
<i>B2516</i>											
<i>AJ7441A</i>											
<i>YM50V</i>											
RS40C2E-IAV	208/230-1	10.8	6.6	11.3	8.0	4.8	3/8	1/2	POE	24	20
<i>RS40C1E-IAV</i>	208/230-1	10.8	6.6	11.3	8.0	4.8	3/8	1/2	POE	24	20
<i>RSN4-0050-IAV</i>	208/230-1	9.4	6.6	11.1	8.0	4.8	1/4	3/8	AB	24	20
<i>RSF2-0050-IAV</i>	208/230-1	9.4	6.6	10.6	8.0	4.8	1/4	3/8	AB	24	20
<i>RSN2-0050-IAV</i>	208/230-1	8.6	6.6	11.0	8.0	4.8	1/4	3/8	AB		
<i>AJA7441AXD</i>	208/230-1	11.8	6.6	10.7	8.0	4.8	5/16	3/4		22	
RS54C2E-IAA	115-1	10.8	6.6	10.8	8.0	4.8	3/8	1/2	POE	24	20
<i>RS54C1E-IAA</i>	115-1	10.8	6.6	10.8	8.0	4.8	3/8	1/2	POE	24	20
<i>RSL2-0075-IAA</i>	115-1	9.4	6.6	10.6	8.0	4.8	1/4	1/2	AB	24	20
<i>AJA7461YXA</i>	115-1	11.9	6.6	11.2	8.0	4.8	5/16	1 RL		26	
<i>C7P16</i>											
<i>M50T</i>											
RS54C2E-IAV	208/230-1	10.8	6.6	10.8	8.0	4.8	3/8	1/2	POE	24	20
<i>RS54C1E-IAV</i>	208/230-1	10.8	6.6	10.8	8.0	4.8	3/8	1/2	POE	24	20
<i>RSL2-0075-IAV</i>	208/230-1	9.4	6.6	10.6	8.0	4.8	1/4	1/2	AB	24	20
<i>AJA7461YXD</i>	208/230-1	11.9	6.6	11.2	8.0	4.8	5/16	1 RL		26	

Compressor Data

"R" Compressors

Model	R22					R502				R404A					
	App	RLA	BTUH	Watts	Amps	App	RLA	BTUH	Watts	Amps	App	RLA	BTUH	Watts	Amps
RR12K1-PFV	HT	7.1	12300	1280	5.8										
<i>REZ3-0125-PFV</i>	HT	7.1	12300	1280	5.8										
<i>AJ5512G</i>	HT		11044												
<i>BB5512E</i>	HT		11090												
<i>AJ8514E</i>	HT		11100												
<i>AK8514E</i>	HT		11100												
<i>B1516</i>	HT		11562												
<i>AJ5513E</i>	HT		11858												
<i>AJ5513F</i>	HT		11858												
<i>AJ1R12</i>	HT		11858												
<i>AJ1P13</i>	HT		11858												
<i>AK8515E</i>	HT		12025												
<i>RK5513</i>	HT		12210												
<i>H24B13QABC</i>	HT		11655												
<i>H21B133ABC</i>	HT		12025												
<i>CH286TA</i>	HT		11497												
<i>CH310TA</i>	HT		12210												
<i>J7231E</i>	HT		13292												
RR14K1-PFV	HT	8.5	14200	1660	7.6										
<i>REB3-0150-PFV</i>	HT	8.5	14200	1660	7.6										
<i>AB5515G</i>	HT		13828												
<i>AB5515H</i>	HT		13828												
<i>RK5515</i>	HT		14337												
<i>H21B153*</i>	HT		14143												
<i>H22B153*</i>	HT		14911												
<i>CH350TA</i>	HT		13736												
<i>MT18JA</i>	HT		14522												
<i>B*173*</i>	HT		14659												
<i>CT 18*</i>	HT		14800												
RR16K1-PFV	HT	9.5	16050	1860	8.1										
<i>RES3-0175-PFV</i>	HT	9.5	16050	1820	8.1										
<i>AJ5517E</i>	HT		14911												
<i>AJR15</i>	HT		14911												
<i>AB5517G</i>	HT		15086												
<i>AB5517H</i>	HT		15086												
<i>AJ5517G</i>	HT		15262												
<i>CH368TA</i>	HT		15262												
<i>J7238E</i>	HT		16705												
RR17K1-PFV	HT	10.4	17100	1970	8.8										
<i>REY3-0175-PFV</i>	HT	10.4	17100	1970	8.8										
<i>RSL4-0175-PFV</i>	HT	8.6	17800	2180	9.8										
<i>AHA4520EXD</i>	HT	10.0	18038	2275											
<i>J7240E</i>	HT		16955												

Compressor Data

Model	Volts/ Phase	Dimensions (inches)			Mounting (inches)		Connections (inches)		Oil Type	Oil Charge (ounces)	
		L	W	H	L	W	Disch	Suct		Initial	Recharge
RR12K1-PFV	208/230-1	10.8	6.6	11.5	8.0	4.8	3/8	1/2	AB	24	20
<i>REZ3-0125-PFV</i>	208/230-1	8.6	6.6	11.5	8.0	4.8	5/16	1/2	AB		
<i>AJ5512G</i>											
<i>BB5512E</i>											
<i>AJ8514E</i>											
<i>AK8514E</i>											
<i>B1516</i>											
<i>AJ5513E</i>											
<i>AJ5513F</i>											
<i>AJ1R12</i>											
<i>AJ1P13</i>											
<i>AK8515E</i>											
<i>RK5513</i>											
<i>H24B13QABC</i>	208/230-1										
<i>H21B133ABC</i>	208/230-1										
<i>CH286TA</i>											
<i>CH310TA</i>											
<i>J7231E</i>											
RR14K1-PFV	208/230-1	9.4	6.6	11.1	8.0	4.8	1/3	1/2	AB	24	20
<i>REB3-0150-PFV</i>	208/230-1	9.4	6.6	11.1	8.0	4.8	1/3	1/2	AB	24	20
<i>AB5515G</i>											
<i>AB5515H</i>											
<i>RK5515</i>											
<i>H21B153*</i>											
<i>H22B153*</i>											
<i>CH350TA</i>											
<i>MT18JA</i>											
<i>B*173*</i>											
<i>CT 18*</i>											
RR16K1-PFV	208/230-1	10.8	6.6	11.8	8.0	4.8	3/8	1/2	AB	24	20
<i>RES3-0175-PFV</i>	208/230-1	9.4	6.6	11.4	8.0	4.8	1/3	1/2	AB	24	20
<i>AJ5517E</i>											
<i>AJR15</i>											
<i>AB5517G</i>											
<i>AB5517H</i>											
<i>AJ5517G</i>											
<i>CH368TA</i>											
<i>J7238E</i>											
RR17K1-PFV	208/230-1	9.4	6.6	11.6	8.0	4.8	1/3	1/2	AB	24	20
<i>REY3-0175-PFV</i>	208/230-1	9.4	6.6	11.6	8.0	4.8	1/3	1/2	AB	24	20
<i>RSL4-0175-PFV</i>	208/230-1	9.4	6.6	11.6	8.0	4.8	5/16	1/2	AB		
<i>AHA4520EXD</i>	208/230-1						3/8	1 1/4 RL		45	
<i>J7240E</i>											

Compressor Data

"R" Compressors

Model	R22					R502					R404A				
	App	RLA	BTUH	Watts	Amps	App	RLA	BTUH	Watts	Amps	App	RLA	BTUH	Watts	Amps
RR17K1-TFC	HT	6.5	17000	1920	5.5										
<i>REY3-0175-TFC</i>	HT	6.5	18200	1925	6.9										
<i>AHA4520EXF</i>	HT	5.0	18038	2300											
RR20K1-PFV	HT	12.1	20500	2200	10.5										
<i>REL3-0200-PFV</i>	HT	12.1	20500	2200	10.5										
RS43C2E-CAA											EMT	10.1	4170	940	9.4
<i>RS43C1E-CAA</i>											EMT	10.1	4170	940	9.4
<i>RSU4-0050-CAA</i>						MT	10.1	4500	945	11.4					
RS43C2E-CAV											EMT	5.4	4170	940	5.6
<i>RS43C1E-CAV</i>											EMT	5.4	4170	940	5.6
RS43C2E-IAA											EMT	10.1	4170	940	9.4
<i>RS43C1E-IAA</i>											LT	10.1	1720	600	7.2
<i>RSU4-0050-IAA</i>						MT	10.1	4500	945	11.4	EMT	10.1	4170	944	10.6
<i>RSU5-0050-IAA</i>						LT	10.1	1790	620	9.4					
						MT	10.1	4500	950	11.5					
RS43C2E-IAV											EMT	5.7	4170	940	5.6
<i>RS43C1E-IAV</i>											LT	5.7	1720	600	4.3
<i>RSU5-0050-IAV</i>						LT	5.4	1790	620	4.7	EMT	5.7	4170	940	5.6
						MT	5.4	4500	950	5.8					
RS47C2-IAA	MT	14.3	4770	930	13.0										
	HT	14.3	8620	1250	15.3										
<i>RSE4-0076-IAA</i>	MT	14.3	4770	930	13.0										
	HT	14.3	8620	1250	7.6										
<i>RSE4-0075-IAA</i>	MT	14.3	4770	930	13.0										
	HT	14.3	8620	1250	15.2										
RS47C2-IAV	MT	7.1	4770	930	6.5										
	HT	7.1	8620	1250	7.6										
<i>RSE4-0076-IAV</i>	MT	7.1	4770	930	6.5										
	HT	7.1	8620	1250	7.6										
<i>RSE4-0075-IAV</i>	MT	7.1	4770	930	6.5										
	HT	7.1	8620	1250	7.6										

Compressor Data

Model	Volts/ Phase	Dimensions (inches)			Mounting (inches)		Connections (inches)		Oil Type	Oil Charge (ounces)	
		L	W	H	L	W	Disch	Suct		Initial	Recharge
RR17K1-TFC <i>REY3-0175-TFC</i> <i>AHA4520EXF</i>	208/230-3 208/230-3 208/230-3	9.4 9.4	6.6 6.6	11.1 11.1	8.0 8.0	4.8 4.8	1/3 1/3 3/8	1/2 1/2 1 1/4 RL	AB AB	24 24 45	20 20
RR20K1-PFV <i>REL3-0200-PFV</i>	208/230-1 208/230-1	10.8 8.6	6.6 6.6	12.0 12.0	8.0 8.0	4.8 4.8	3/8 5/16	1/2 1/2	AB AB	24	20
RS43C2E-CAA <i>RS43C1E-CAA</i> <i>RSU4-0050-CAA</i>	115-1 115-1	10.8 10.8 8.6	6.6 6.6 6.6	11.3 11.3 11.5	8.0 8.0 8.0	4.8 4.8 4.8	3/8 3/8 ST 1/4	1/2 1/2 ST 3/8	POE POE AB	24 24 24	20 20 20
RS43C2E-CAV <i>RS43C1E-CAV</i>	208/230-1 208/230-1	10.8 10.8	6.6 6.6	11.3 11.3	8.0 8.0	4.8 4.8	3/8 3/8 ST	1/2 1/2 ST	POE POE	24 24	20 20
RS43C2E-IAA <i>RS43C1E-IAA</i> <i>RSU4-0050-IAA</i> <i>RSU5-0050-IAA</i>	115-1 115-1 115-1 115-1 115-1	10.8 10.8 9.4 9.4	6.6 6.6 6.6 6.6	11.3 11.3 11.3 11.1 11.1	8.0 8.0 8.0 8.0	4.8 4.8 4.8 4.8	3/8 3/8 3/8 ST 1/4 1/4	1/2 1/2 1/2 ST 3/8 3/8	POE POE POE AB AB	24 24 24 24 24	20 20 20 20 20
RS43C2E-IAV <i>RS43C1E-IAV</i> <i>RSU5-0050-IAV</i>	208/230-1 208/230-1 208/230-1 208/230-1 208/230-1	10.8 10.8 9.4	6.6 6.6 6.6	11.3 11.3 11.3 11.1	8.0 8.0 8.0 8.0	4.8 4.8 4.8 4.8	3/8 3/8 3/8 ST 1/4	1/2 1/2 1/2 ST 3/8	POE POE POE AB	24 24 24 30	20 20 20 26
RS47C2-IAA <i>RSE4-0076-IAA</i> <i>RSE4-0075-IAA</i>	115-1 115-1	9.4 8.6 9.4	6.6 6.6 6.6	11.1 11.5 11.1	8.0 8.0 8.0	4.8 4.8 4.8	1/4 1/4 1/4	3/8 3/8 3/8	AB AB AB	24 24 24	20 20 20
RS47C2-IAV <i>RSE4-0076-IAV</i> <i>RSE4-0075-IAV</i>	208/230-1 208/230-1	9.4 8.6 9.4	6.6 6.6 6.6	11.1 11.5 11.1	8.0 8.0 8.0	4.8 4.8 4.8	1/4 1/4 1/4	3/8 3/8 3/8	AB AB AB	24 24 24	20 20 20

Compressor Data

“R” Compressors

Model	R22				R502				R404A						
	App	RLA	BTUH	Watts	Amps	App	RLA	BTUH	Watts	Amps	App	RLA	BTUH	Watts	Amps
RS55C2E-CAA	MT	13.2	5370	950	9.3						EMT	13.2	5410	1140	10.3
RS55C2-CAA	MT	13.2	5370	950	9.3						MT(1)	4350			
RS55C1E-PAA											EMT	13.2	5410	1140	10.3
RSF5-0075-CAA	MT	13.5	5764	1013	9.4										
MS1B542BBA						MT(1)	4711								
RS55C2E-CAV											EMT	6.1	5410	1140	5.1
RS55C1E-CAV											EMT	6.7	5410	1140	5.1
RS55C1E-PAV											EMT	6.7	5420	1140	5.1
RS64C2E-CAA	MT	15.2	6390	1290	11.4						EMT	15.2	6450	1460	12.9
RS64C2-CAA	MT	15.2	6390	1290	11.4						LT	15.2	2860	1050	9.2
RS64C2-IAA	MT	17.5	6390	1290	11.4										
RS64C2E-IAA	MT	17.5	6390	1290	11.4						EMT	17.5	6450	1460	12.9
											LT	17.5	2860	1050	9.2
RS64C1E-CAA											MT(1)	5450			
RS64C1E-IAA											EMT	15.2	6460	1470	12.9
RSN6-0075-CAA	MT	12.1	6200	1190	15.0						EMT	17.5	6460	1470	12.9
RSN6-0075-IAA	MT	14.3	6200	1190	15.0										
RSN5-0075-CAA						LT	14.9	3150	990	12.4					
						MT	14.9	6850	1490	16.4					
RSN5-0075-IAA						LT	14.9	3150	988	12.6					
						MT	14.9	6850	1490	16.4					
RSN4-0075-IAA						MT	14.9	6850	1490	16.1					
AKA9462ZXA											MT	11.9	6622	1298	11.7
AKA9458JXA						MT(1)	5655								
RS64C2E-CAV	HT	7.7	11000	1610	7.1						EMT	7.7	6450	1460	6.4
RS64C2-CAV	HT	7.7	11000	1610	7.1										
RS64C1E-CAV											EMT	7.7	6450	1460	6.4
RRG4-0100-PAV	HT	6.7	10800	1390	6.3										
RSN4-0075-CAV						MT	7.7	6850	1490	7.7					
RSN4-0100-CAV						MT	7.7	6850	1490	7.7					
RS64C2E-IAV	MT	9.2	6390	1290	5.7						EMT	9.2	6450	1460	6.4
RS64C2-IAV	MT	9.2	6390	1290	5.7						LT	9.2	2860	1050	4.6
RS64C1E-IAV											MT(1)	5450			
RSN6-0075-IAV	MT	6.9	6200	1190	7.5						EMT	9.2	6450	1460	8.6
RSN4-0075-IAV						MT	8.8	6850	1490	8.1					
RSN5-0075-IAV						LT	8.8	3150	988	6.3					
						MT	8.8	6850	1490	8.2					

Compressor Data

Model	Volts/ Phase	Dimensions (inches)			Mounting (inches)		Connections (inches)		Oil Type	Oil Charge (ounces)	
		L	W	H	L	W	Disch	Suct		Initial	Recharge
RS55C2E-CAA	115-1	10.8	6.6	10.8	8.0	4.8	3 3/4	1/2	POE	24	20
RS55C2-CAA	115-1	11.1	6.6	10.3	8.0	4.8	3/8	1/2		24	20
RS55C1E-PAA	115-1	10.8	6.6	11.3	8.0	4.8	3/8 ST	1/2 ST	POE	24	20
RSF5-0075-CAA	115-1	9.4	6.6	11.1	8.0	4.8	1/4	3/8		24	20
M51B542BBA											
RS55C2E-CAV	208/230-1	10.8	6.6	10.8	8.0	4.8	3 3/4	1/2	POE	24	20
RS55C1E-CAV	208/230-1	10.8	6.6	11.3	8.0	4.8	3/8 ST	1/2 ST	POE	24	20
RS55C1E-PAV	208/230-1	10.8	6.6	11.3	8.0	4.8	3/8 ST	1/2 ST	POE	24	20
RS64C2E-CAA	115-1	10.8	6.6	10.8	8.0	4.8	3/8	1/2	POE	24	20
	115-1										
RS64C2-CAA		10.8	6.6	11.0	8.0	4.8	3/8	1/2	AB	24	20
RS64C2-IAA		10.8	6.6	11.0	8.0	4.8	3/8	1/2	AB	24	20
RS64C2E-IAA	115-1	10.8	6.6	11.3	8.0	4.8	3/8	1/2	POE	24	20
	115-1										
RS64C1E-CAA	115-1	10.8	6.6	11.3	8.0	4.8	3/8 ST	1/2 ST	POE	24	20
RS64C1E-IAA	115-1	10.8	6.6	11.3	8.0	4.8	3/8 ST	1/2 ST	POE	24	20
RSN6-0075-CAA	115-1	9.4	6.6	11.1	8.0	4.8	1/4	3/8	AB	24	20
RSN6-0075-IAA	115-1	9.4	6.6	11.1	8.0	4.8	1/4	1/2	AB	24	20
RSN5-0075-CAA	115-1	9.4	6.6	11.1	8.0	4.8	1/4	3/8	AB	30	26
	115-1										
RSN5-0075-IAA	115-1	9.4	6.6	11.1	8.0	4.8	1/4	3/8	AB	30	26
	115-1										
RSN4-0075-IAA	115-1	9.4	6.6	11.1	8.0	4.8	1/4	3/8	AB	24	20
AKA9462ZXA	115-1	11.4	7.3	8.8	8.0	4.8	1/4	3/4 RL		17	
AKA9458JXA	115-1										
RS64C2E-CAV	208/230-1	10.8	6.6	11.3	8.0	4.8	3/8	1/2	POE	24	20
RS64C2-CAV									AB	24	20
RS64C1E-CAV	208/230-1	10.8	6.6	11.3	8.0	4.8	3/8 ST	1/2 ST	POE	24	20
RRG4-0100-PAV	208/230-1	9.4	6.6	11.1	8.0	4.8	1/4	3/8	AB	24	20
RSN4-0075-CAV	208/230-1	9.4	6.6	11.1	8.0	4.8	1/4	3/8	AB	24	20
RSN4-0100-CAV	208/230-1	9.4	6.6	11.1	8.0	4.8	1/4	3/8	AB	24	20
RS64C2E-IAV	208/230-1	10.8	6.6	11.3	8.0	4.8	3/8	1/2	POE	24	20
	208/230-1										
RS64C2-IAV		10.8	6.6	11.0	8.0	4.8	3/8	1/2	AB	24	20
RS64C1E-IAV	208/230-1	10.8	6.6	11.3	8.0	4.8	3/8 ST	1/2 ST	POE	24	20
RSN6-0075-IAV	208/230-1	9.4	6.6	11.1	8.0	4.8	1/4	3/8	AB	24	20
RSN4-0075-IAV	208/230-1	9.4	6.6	11.1	8.0	4.8	1/4	3/8	AB	24	20
RSN5-0075-IAV	208/230-1	9.4	6.6	11.1	8.0	4.8	1/4	3/8	AB	30	26
	208/230-1										

Compressor Data

“R” Compressors

Model	R22					R502					R404A				
	App	RLA	BTUH	Watts	Amps	App	RLA	BTUH	Watts	Amps	App	RLA	BTUH	Watts	Amps
AKA9455EXD	MT	4.9	5674	966	4.8										
AKA9462EXD	MT	5.3	6328	1055	5.1										
AKA9462ZXD											MT	6.8	6250	1360	6.8
AKA9458JXD						MT(1)		5655	1060	5.2					
RS64C2E-PAA	HT	15.2	11000	1610	14.1						EMT	15.2	6450	1460	12.9
RS64C2-PAA	HT	15.2	11000	1610	14.1										
RS64C1E-PAA											EMT	15.2	6460	1470	12.9
RRG4-0100-PAA	HT	13.2	10800	1390	12.6										
RSN4-0075-PAA						MT	10.3	6850	1490	15.4					
RSN4-0100-PAA						MT	10.3	6850	1490	15.0					
RS70C1-PAA*	MT	TBD													
	HT	TBD													
RRK4-0126-PAA	HT	13.6	12400	1450	13.2										
RS70C1E-PFV	MT	7.0	7090	1110	5.1						EMT	7.0	6980	1250	5.5
	HT	7.0	12500	1440	6.4										
RS70C1-PFV	MT	7.0	7090	1110	5.1										
	HT	7.0	12500	1440	6.4										
REK3-0125-PFV						MT	7.0	6970	1260	5.5					
	HT	7.0	12500	1440	6.4										
REKQ-0125-PFV	MT	7.0	7090	1110	5.1										
	HT	7.0	12500	1440	6.0										
B1616	HT		12570												
AJ5514E	HT		12570												
AJ5515E	HT		13024												
AUR13	HT		13024												
AJ8516E	HT		13227												
AJ5515F	HT		13468												
CH325TA	HT		12932												
YCH310VA	HT		13025												
B*143*	HT		12790												
CT 16*	HT		13875												
RS70C1E-TFC	HT	4.7	12400	1370	3.8						EMT	4.7	6800	1220	3.6
RS70C1-TFC	HT	4.7	12400	1370	3.8										
REK3-0125-TFC	HT	4.7	12400	1370	3.8										
RS70C1-TFD	MT	4.7	12400	1370	3.8										
REK3-0125-TFD	HT	2.6	12400	1370	1.9										
RS80C2E-CAA											EMT	18.6	8170	1740	16.2
											MT(1)	6890			
RS80C1E-CAA											EMT	18.6	8170	1740	16.2
AKA9466JXA						MT(1)		6337							

Compressor Data

Model	Volts/ Phase	Dimensions (inches)			Mounting (inches)		Connections (inches)		Oil Type	Oil Charge (ounces)	
		L	W	H	L	W	Disch	Suct		Initial	Recharge
<i>AKA9455EXD</i>	208/230-1	11.4	7.3	8.8	8.0	4.8	1/4	3/4 RL		15	
<i>AKA9462EXD</i>	208/230-1	11.4	7.3	8.8	8.0	4.8	1/4	3/4 RL		15	
<i>AKA9462ZXD</i>	208/230-1	11.4	7.3	8.8	8.0	4.8	1/4	3/4 RL		17	
<i>AKA9458JXD</i>	208/230-1	11.4	7.3	8.8	8.0	4.8	1/4	3/4 RL		15	
RS64C2E-PAA	115-1	10.8	6.6	10.8	118.0	4.8	3/8	1/2	POE	24	20
<i>RS64C2-PAA</i>		10.8	6.6	11.0	8.0	4.8	3/8	1/2	AB	24	20
<i>RS64C1E-PAA</i>	115-1	10.8	6.6	11.3	8.0	4.8	3/8 ST	1/2 ST	POE	24	20
<i>RRG4-0100-PAA</i>	115-1	9.4	6.6	11.1	8.0	4.8	1/4	3/8	AB	24	20
<i>RSN4-0075-PAA</i>	115-1	9.4	6.6	11.1	8.0	4.8	1/4	3/8	AB	24	20
<i>RSN4-0100-PAA</i>		8.6	6.6	11.5	8.0	4.8	1/4	3/8	AB		
RS70C1-PAA*	115-1								AB		
<i>RRK4-0126-PAA</i>	115-1	8.6	6.6	11.5	8.0	4.8	1/4	3/8	AB	24	20
RS70C1E-PFV	208/230-1	10.8	6.6	11.3	8.0	4.8	3/8	1/2	POE	24	20
<i>RS70C1-PFV</i>	208/230-1	9.4	6.6	11.1	8.0	4.8	1/3	1/2	AB	24	20
<i>REK3-0125-PFV</i>	208/230-1	9.4	6.6	11.1	8.0	4.8	1/3	1/2	AB	24	20
<i>REKQ-0125-PFV</i>	208/230-1	8.6	6.6	11.5	8.0	4.8	5/16	1/2	AB	24	20
B1616 AJ5514E AJ5515E AUR13 AJ8516E AJ5515F CH325TA YCH310VA B*143* CT 16*											
RS70C1E-TFC	208/230-3	10.8	6.6	11.3	8.0	4.8	3/8 ST	1/2 ST	POE	24	20
<i>RS70C1-TFC</i>	208/230-3	9.4	6.6	10.8	8.0	4.8	1/3	1/2	AB	24	20
<i>REK3-0125-TFC</i>	208/230-3	9.4	6.6	10.8	8.0	4.8	1/3	1/2	AB	24	20
RS70C1-TFD	460-3	10.8	6.6	11.5	8.0	4.8	3/8	1/2	AB	24	20
<i>REK3-0125-TFD</i>	460-3	9.4	6.6	10.8	8.0	4.8	1/3	1/2	AB	24	20
RS80C2E-CAA	115-1	10.8	6.6	10.8	8.0	4.8	3/8	1/2	POE	24	20
<i>RS80C1E-CAA</i>	115-1	10.8	6.6	10.8	8.0	4.8	3/8	1/2	POE	24	20
<i>AKA9466JXA</i>	115-1										

Compressor Data

“R” Compressors

Model	R22					R502					R404A				
	App	RLA	BTUH	Watts	Amps	App	RLA	BTUH	Watts	Amps	App	RLA	BTUH	Watts	Amps
RS80C2E-CAV	MT	9.6	8080	1480	6.9						EMT	9.6	8410	1690	7.8
	HT	9.6	13700	1940	8.9						MT(1)		7130		
RS80C2-CAV	MT	9.6	8080	1480	6.9										
	HT	9.6	13700	1940	8.9										
<i>RS80C1E-CAV</i>											EMT	9.6	8410	1690	7.8
<i>REBQ-0150-PFV</i>	MT	7.9	8400	1270	5.9										
	HT	7.9	14200	1660	7.6										
<i>AKA9466JXD</i>						MT(1)		6435							
RS80C2E-TFD											EMT	2.5	8440	1640	2.5
<i>RS80C1E-TFD</i>											EMT	2.5	8440	1640	2.5
RS80C2E-TF5											EMT	6.4	8440	1640	5.1
<i>RS80C1E-TF5</i>											EMT	6.4	8440	1640	5.1
RS86C2E-PFV											EMT	9.8	8780	1760	7.8
											MT(1)		7390		
<i>RS86C1E-PFV</i>											EMT	9.8	8680	1620	7.5
<i>AKA9474JXD</i>						MT(1)		7166							
No Replacement															
<i>RSL2-0100-CAA</i>	MT	18.0	9620	1760	18.2										
RS97C2E-CAA											EMT	19.6	9590	1940	19.5
<i>RS97C1E-CAA</i>											EMT	19.6	9590	1940	19.4
<i>RSL2-0101-CAA</i>						MT	18.0	9620	1760	18.0					
RS97C2E-CAV	MT	11.0	9620	1760	9.1						EMT	11.0	9590	1940	9.7
<i>RS97C2-CAV</i>	MT	11.0	9620	1760	9.1										
<i>RS97C1E-CAV</i>											EMT	11.0	9590	1940	9.7
<i>RSL2-0101-CAV</i>	MT	10.4	9620	1760	9.1										
<i>RSL5-0101-CAV</i>						LT	10.4	3960	1300	7.2					
						MT	10.4	9700	1860	9.1					
<i>RSL5-0100-CAV</i>						LT	10.4	4000	1300	7.1					
						MT	10.4	9710	1870	9.0					
<i>AJA9484EXD</i>	MT	6.9	8742	1373	6.7										
RS97C2E-TFC											EMT	7.0	9400	1890	6.3
<i>RS97C1E-TFC</i>											EMT	7.0	9400	1890	6.3
<i>RSL5-0101-TFC</i>						LT	5.7	3970	1070	3.7					
						MT	5.7	9410	1680	5.1					
<i>RSL5-0100-TFC</i>						LT	5.7	4000	1075	3.7					
						MT	5.7	9410	1680	5.1					
No Replacement															
<i>RSL4-0175-TFC</i>	MT	7.4	10000	1590	5.4										

Compressor Data

Model	Volts/ Phase	Dimensions (inches)			Mounting (inches)		Connections (inches)		Oil Type	Oil Charge (ounces)	
		L	W	H	L	W	Disch	Suct		Initial	Recharge
RS80C2E-CAV	208/230-1	10.8	6.6	11.3	8.0	4.8	3/8	1/2	POE	24	20
RS80C2-CAV	208/230-2								AB	24	20
RS80C1E-CAV	208/230-1	10.8	6.6	11.3	8.0	4.8	3/8	1/2	POE	24	20
REBQ-0150-PFV	208/230-1	8.6	6.6	11.5	8.0	4.8	5/16	1/2	AB	24	20
AKA9466JXD	208/230-1										
RS80C2E-TFD	460-3	10.8	6.6	11.3	8.0	4.8	3/8	1/2	POE	24	20
RS80C1E-TFD		8.6	6.6	11.6	8.0	4.8	3/8	1/2	POE	24	20
RS80C2E-TF5	200/230-3	10.8	6.6	10.8	8.0	4.8	3/8	1/2	POE	24	20
RS80C1E-TF5	200/230-3	10.8	6.6	10.8	8.0	4.8	3/8	1/2	POE	24	20
RS86C2E-PFV	208/230-1	10.8	6.6	10.8	8.0	4.8	3/8	1/2	POE	24	20
RS86C1E-PFV	208/230-1	9.4	6.6	11.4	8.0	4.8	1/3	1/2	POE	24	20
AKA9474JXD	208/230-1										
No Replacement											
RSL2-0100-CAA	115-1	9.4	6.6	10.6	8.0	4.8	1/4	1/2	AB	24	20
RS97C2E-CAA	115-1	10.8	6.6	10.8	8.0	4.8	3/8	1/2	POE	24	20
RS97C1E-CAA	115-1	10.8	6.6	10.8	8.0	4.8	3/8 ST	1/2 ST	POE	24	20
RSL2-0101-CAA									AB	24	20
RS97C2E-CAV	208/230-1	10.8	6.6	10.8	8.0	4.8	3/8	1/2	POE	24	20
RS97C2-CAV		10.8	6.6	11.0	8.0	4.8	3/8	1/2	AB	24	20
RS97C1E-CAV	208/230-1	10.8	6.6	10.8	8.0	4.8	3/8 ST	1/2 ST	POE	24	20
RSL2-0101-CAV	208/230-1	8.6	6.6	11.0	8.0	4.8	1/4	1/2	AB	24	20
RSL5-0101-CAV	208/230-1	9.4	6.6	10.6	8.0	4.8	1/4	1/2	AB	30	26
RSL5-0100-CAV	208/230-1	9.4	6.6	10.6	8.0	4.8	1/4	1/2	AB	30	26
AJA9484EXD	208/230-1	8.7	7.1	11.2	8.0	4.8	5/16	1/2		22	
RS97C2E-TFC		10.8	6.6	11.6	8.0	4.8	3/8	1/2	POE	24	20
RS97C1E-TFC	208/230-3	10.8	6.6	11.3	8.0	4.8	3/8 ST	1/2 ST	POE	24	20
RSL5-0101-TFC	208/230-3	9.4	6.6	11.1	8.0	4.8	3/8	1/2	AB	30	26
RSL5-0100-TFC	208/230-3	9.4	6.6	11.1	8.0	4.8	3/8	1/2	AB	30	26
No Replacement											
RSL4-0175-TFC	208/230-3	9.4	6.6	11.6	8.0	4.8	5/16	1/2	AB	24	20

Wholesaler Notes

Wholesaler Notes

Wholesaler Notes

w

Wholesaler Notes

Wholesaler Notes

Wholesaler Notes

Compressor Data

“CR” Compressors

Model	R22					R502				
	App	RLA	BTUH	Watts	Amps	App	RLA	BTUH	Watts	Amps
CR16K6-PFV	AC	9.6	16300	1540	6.9					
CR16KF-PFV	AC	9.6	16200	1550	7.2					
CRZ4-0150-PFV	AC	9.3	16500	1620	7.3					
AJA5517EXD	AC		16600							
H29B15UABC*	AC	6.7	15730	1485						
H29B16UABC*	AC	6.8	16500	1540						
H29B17UABC*	AC	7.2	17220	1605						
H27B15QCBC*	AC	6.2	15500	1410						
H26B15QCBC*	AC	6.4	15200	1340						
H26B17QCBC*	AC	7.0	17300	1575						
H25B15QABC*	AC	6.4	15400	1440						
H25B17QABC*	AC	7.0	16900	1580						
H24B153ABC*	AC	9.5	15250	1835						
H24B15QABC*	AC	9.3	14700	1770						
H24B17QABC*	AC	9.8	16550	1970						
H23B153ABC*	AC	6.7	15100	1535						
H23B173ABC*	AC	7.4	16600	1635						
H23B15QABC*	AC	6.7	14900	1525						
H23B17QABC*	AC	7.6	16600	1690						
H23B15SABC*	AC	6.5	15645	1490						
H23B16SABC*	AC	6.8	16300	1545						
H23B17SABC*	AC	7.2	17100	1637						
H20B153ABC*	AC	9.3	14700	1770						
H20B173ABC*	AC	9.8	16550	1980						
CRA1-0150-PFV	AC	10.8	18300	1860	8.4					
	HT	10.8	17000	1870	8.3	MT	11	11200	1550	7.0
CR18K6-PFV	AC	10.4	18000	1700	7.6					
CR18KF-PFV	AC	10.4	17700	1690	7.8					
CRA4-0150-PFV	AC	10.2	18200	1780	8.0					
SRF5-0175-PFV	AC		18450							
SEF1-0175-PFV	AC		18450							
SHF2-0175-PFV	AC	11.5	18600	1790	8.7					
SEN2-0175-PFV	AC		17650							
AB5519F	AC		18640							
AB5519G	AC		18450							
AB5519H	AC		18450							
AJ5518E	AC		17960							
AJ8520E	AC		17100							
AJT15	AC		17960							
AW5517	AC		16700							
B32P16	AC		16890							
B74P18	AC		17670							
JA150	AC		17860							

Compressor Data

Model	Volts/ Phase	Dimensions (inches)			Mounting (inches)		Connections (inches)		Oil Type	Oil Charge (ounces)	
		L	W	H	L	W	Disch	Suct		Initial	Recharge
CR16K6-PFV	208/230-1	10.3	9.1	13.2	7.5	7.5	3/8	3/4	MO	45	43
CR16KF-PFV	208/230-1	9.3	9.3	13.1	7.5	7.5	3/8	3/4	MO	40	38
CRZ4-0150-PFV	208/230-1	9.3	9.0	13.6	7.5	7.5	3/8	3/4	MO		
AJA5517EXD	208/230-1										
H29B15UABC*	208/230-1			13.6			3/8	5/8		35	32
H29B16UABC*	208/230-1			13.6			3/8	5/8		35	32
H29B17UABC*	208/230-1			13.6			3/8	5/8		35	32
H27B15QCBC*	208/230-1			15.0			1/2	3/4		35	32
H26B15QCBC*	208/230-1			14.8			3/8	3/4		35	32
H26B17QCBC*	208/230-1			14.8			3/8	3/4		35	32
H25B15QABC*	208/230-1			13.8			3/8	3/4		35	32
H25B17QABC*	208/230-1			13.8			3/8	3/4		35	32
H24B153ABC*	208/230-1			12.6			5/16	1/2		40	37
H24B15QABC*	208/230-1			12.3			5/16	1/2		40	37
H24B17QABC*	208/230-1			12.3			5/16	1/2		40	37
H23B153ABC*	208/230-1			13.2			3/8	5/8		40	37
H23B173ABC*	208/230-1			13.2			3/8	5/8		40	37
H23B15QABC*	208/230-1			13.2			3/8	5/8		40	37
H23B17QABC*	208/230-1			13.2			3/8	5/8		40	37
H23B15SABC*	208/230-1			13.8			3/8	5/8		40	37
H23B16SABC*	208/230-1			13.8			3/8	5/8		40	37
H23B17SABC*	208/230-1			13.8			3/8	5/8		40	37
H20B153ABC*	208/230-1			12.3			5/16	1/2		40	37
H20B173ABC*	208/230-1			12.3			5/16	1/2		40	37
CRA1-0150-PFV	208/230-1	9.4	9.0	13.8	7.5	7.5	3/8	5/8	MO	55	51
	208/230-1										
CR18K6-PFV	208/230-1	10.3	9.1	13.2	7.5	7.5	3/8	3/4	MO	45	43
CR18KF-PFV	208/230-1	9.3	9.1	13.1	7.5	7.5	3/8	3/4	MO	40	38
CRA4-0150-PFV	208/230-1	9.4	9.1	13.6	7.5	7.5	3/8	3/4	MO	55	51
SRF5-0175-PFV	208/230-1			14.1	8.0	4.8	5/16	1/2	MO		
SEF1-0175-PFV	208/230-1			14.1	8.0	4.8	5/16	1/2	MO		
SHF2-0175-PFV	208/230-1			14.1	8.0	4.8	5/16	1/2	MO		
SEN2-0175-PFV	208/230-1			14.1	8.0	4.8	3/8	5/8	MO		
AB5519F				11.8	7.5	7.5	5/16	1/2			
AB5519G				11.3	7.5	7.5	5/16	1/2			
AB5519H				11.3	7.5	7.5	5/16	1/2			
AJ5518E				11.4	8.0	4.8	5/16	1/2			
AJ8520E				11.1	8.0	4.8	5/16	1/2			
AJT15				11.1	8.0	4.8	5/16	1/2			
AW5517				12.8	7.5	7.5	3/8	3/4			
B32P16											
B74P18											
JA150											

Compressor Data

“CR” Compressors

Model	R22					R502				
	App	RLA	BTUH	Watts	Amps	App	RLA	BTUH	Watts	Amps
CRA1-0150-PFV	AC	10.8	18300	1860	8.4					
	HT	10.8	17000	1870	8.3	MT	11	11200	1550	7.0
<i>RK5518</i>	AC		17700							
<i>H29B18UABC*</i>	AC	7.4	18000	1680						
<i>H27B17QCBC*</i>	AC	7.1	17500	1590						
<i>H27B18QCBC*</i>	AC	7.5	18400	1680						
<i>H26B18QCBC*</i>	AC	7.3	18300	1635						
<i>H25B18QABC*</i>	AC	7.4	18000	1665						
<i>H24B183ABC*</i>	AC	10.3	17380	2084						
<i>H23B193ABC*</i>	AC	8.2	18300	1800						
<i>H23B19QABC*</i>	AC	8.2	17900	1800						
<i>H23B18SABC*</i>	AC	7.2	18050	1710						
<i>H20B193ABC*</i>	AC	13.0	18200	2100						
<i>H21B173*</i>	AC		17090							
<i>H21B193*</i>	AC		18350							
<i>H22B173*</i>	AC		17480							
<i>H22B193*</i>	AC		18350							
<i>H2EA193*</i>	AC		17960							
<i>CH383TA</i>	AC		17280							
<i>CH400TA</i>	AC		17860							
<i>M*20</i>	AC		18300							
<i>B*193*</i>	AC		17852							
CRA1-0150-TF5	AC	9.3	16900	1840	6.0					
	HT	9.3	15900	1840	6.0					
<i>CRA1-0150-TFC</i>	AC	9.3	16900	1840	6.0					
<i>H24B17QDBL*</i>	AC	5.9	17000	1830						
CRA1-0150-TFD	AC	4.1	16900	1840	3.0					
	HT	4.1	15900	1840	3.0					
CRB1-0175-PFV	AC	11.4	19200	1950	8.7					
	HT	11.4	17500	1940	8.7	MT	11.4	12000	1670	7.6
<i>CR20K6-PFV</i>	AC	10.9	19600	1830	8.2					
<i>CR20KF-PFV</i>	AC	10.9	19000	1790	8.2					
<i>CRB4-0150-PFV</i>	AC	11.4	19200	1880	8.5					
<i>SRA4-0200-PFV</i>	AC		19400							
<i>SRA6-0200-PFV</i>	AC		19700							
<i>SEA1-0200-PFV</i>	AC		19700							
<i>AJC5519EXD</i>	AC		19300							
<i>AWG5519EXN</i>	AC		18800							
<i>AB5520F</i>	AC		19710							
<i>AB5520G</i>	AC		19900							
<i>AB5520H</i>	AC		19900							

Compressor Data

Model	Volts/ Phase	Dimensions (inches)			Mounting (inches)		Connections (inches)		Oil Type	Oil Charge (ounces)	
		L	W	H	L	W	Disch	Suct		Initial	Recharge
CRA1-0150-PFV	208/230-1 208/230-1	9.4	9.0	13.8	7.5	7.5	3/8	5/8	MO	55	51
<i>RK5518</i>				11.5			5/16	5/8			
<i>H29B18UABC*</i>	208/230-1			13.6			3/8	5/8		35	32
<i>H27B17QCBC*</i>	208/230-1			15.0			1/2	3/4		35	32
<i>H27B18QCBC*</i>	208/230-1			15.0			1/2	3/4		35	32
<i>H26B18QCBC*</i>	208/230-1			14.8			3/8	3/4		35	32
<i>H25B18QABC*</i>	208/230-1			13.8			3/8	3/4		35	32
<i>H24B183ABC*</i>	208/230-1			12.6			5/16	1/2		40	37
<i>H23B193ABC*</i>	208/230-1			13.8			3/8	5/8		40	37
<i>H23B19QABC*</i>	208/230-1			13.8			3/8	5/8		40	37
<i>H23B18SABC*</i>	208/230-1			13.8			3/8	5/8		40	37
<i>H20B193ABC*</i>	208/230-1			12.3			5/16	1/2		40	37
<i>H21B173*</i>				12.6	7.5	7.5	5/16	1/2			
<i>H21B193*</i>				13.2	7.5	7.5	3/8	5/8			
<i>H22B173*</i>				13.3	7.5	7.5	3/8	1/2			
<i>H22B193*</i>				14.4	7.5	7.5	3/8	5/8			
<i>H2EA193*</i>				14.0	7.5	7.5	3/8	3/4			
<i>CH383TA</i>											
<i>CH400TA</i>				13.3	7.5	7.5	5/16	1/2			
<i>M*20</i>				14.3	7.5	7.5	3/8	3/4			
<i>B*193*</i>				13.3	8.3	7.4					
CRA1-0150-TF5	200/230-3	9.4	9.0	13.8	7.5	7.5	3/8	5/8	MO	55	51
<i>CRA1-0150-TFC</i>	208/230-3	9.4	9.0	13.8	7.5	7.5	3/8	5/8	MO	55	51
<i>H24B17QDBL*</i>	200/230-3			14.8			5/16	1/2		40	37
CRA1-0150-TFD	460-3 460-3	9.4	9.0	13.8	7.5	7.5	3/8	5/8	MO	55	51
CRB1-0175-PFV	208/230-1 208/230-1	9.4	9.0	13.8	7.5	7.5	3/8	5/8	MO	55	51
<i>CR20K6-PFV</i>	208/230-1	10.3	9.1	13.3	7.5	7.5	3/8	3/4	MO	45	43
<i>CR20KF-PFV</i>	208/230-1	9.3	9.3	13.3	7.5	7.5	3/8	3/4	MO	40	38
<i>CRB4-0150-PFV</i>	208/230-1	9.3	9.0	13.6	7.5	7.5	3/8	3/4	MO	55	51
<i>SRA4-0200-PFV</i>	208/230-1			14.1	8.0	4.8	5/16	1/2	MO		
<i>SRA6-0200-PFV</i>	208/230-1			13.1	8.0	4.8	3/8	5/8	MO		
<i>SEA1-0200-PFV</i>	208/230-1			14.1	8.0	4.8	5/16	1/2	MO		
<i>AJC5519EXD</i>	208/230-1										
<i>AWG5519EXN</i>	208/230-1										
<i>AB5520F</i>				12.6	7.5	7.5	3/8	1/2			
<i>AB5520G</i>				12.6	7.5	7.5	3/8	1/2			
<i>AB5520H</i>				12.6	7.5	7.5	3/8	1/2			

Compressor Data

“CR” Compressors

Model	R22					R502				
	App	RLA	BTUH	Watts	Amps	App	RLA	BTUH	Watts	Amps
CRB1-0175-PFV	AC	11.4	19200	1950	8.7					
	HT	11.4	17500	1940	8.7	MT	11.4	12000	1670	7.6
AH20L12V	AC		18930							
AH5520E	AC		18930							
AW5519	AC		18780							
AW5520	AC		20450							
B74T16	AC		18930							
H29B20UABC*	AC	8.6	20420	1915						
H26B20QCBC*	AC	8.4	20600	1839						
H25B20QABC*	AC	8.6	20600	1905						
H24B203ABC*	AC	10.9	20300	2255						
H24B19QABC*	AC	13.0	18900	2100						
H24B20QABC*	AC	10.4	19400	2285						
H24B21QABC*	AC	10.7	20200	2270						
H23B203ABC*	AC	9.0	19900	1950						
H23B20QABC*	AC	9.0	19700	1975						
H23B20SABC*	AC	8.8	20600	1950						
H21B223ABC*	AC	10.2	21800	2310						
H20B243ABC*	AC	12.8	19500	2200						
H20B203ABC*	AC	10.4	19500	2200						
H20B213*	AC		20150							
H21B203*	AC		19800							
H2EA223*	AC		20680							
CH420TA	AC		18930							
CH455TA	AC		20390							
E195	AC		18930							
TCH443TA	AC		18930							
CT 20*	AC		19000							
B*223*	AC		20970							
C*223*	AC		20970							
CT 22*	AC		21000							
CRC1-0175-PFV	AC	12.9	22600	2290	9.7					
	HT	12.9	20900	2290	9.7	MT	12.9	13900	1930	8.3
CR22K6-PFV	AC	10.9	22100	2040	9.2					
CR22KF-PFV	AC	10.9	21800	2040	9.4					
CRC2-0175-PFV	AC		22600							
CRC4-0175-PFV	AC	12.1	22200	2170	9.9					
SRB4-0200-PFV	AC		21350							
SEB1-0200-PFV	AC		21350							
SEP2-0200-PFV	AC	11.8	21350	2290	10.2					
SHB2-0200-PFV	AC	11.4	21350	2440	11.1					
SRB6-0200-PFV	AC		21850							

Compressor Data

Model	Volts/ Phase	Dimensions (inches)			Mounting (inches)		Connections (inches)		Oil Type	Oil Charge (ounces)	
		L	W	H	L	W	Disch	Suct		Initial	Recharge
CRB1-0175-PFV	208/230-1 208/230-1	9.4	9.0	13.8	7.5	7.5	3/8	5/8	MO	55	51
<i>AH20L12V</i>											
<i>AH5520E</i>											
<i>AW5519</i>				12.8	7.5	7.5	3/8	3/4			
<i>AW5520</i>				12.8	7.5	7.5	3/8	3/4			
<i>B74T16</i>											
<i>H29B20UABC*</i>	208/230-1			14.0			3/8	5/8		35	32
<i>H26B20QCBC*</i>	208/230-1			15.0			3/8	3/4		35	32
<i>H25B20QABC*</i>	208/230-1			14.3			3/8	3/4		35	32
<i>H24B203ABC*</i>	208/230-1			12.9			5/16	1/2		40	37
<i>H24B19QABC*</i>	208/230-1			12.3			5/16	1/2		40	37
<i>H24B20QABC*</i>	208/230-1			12.6			3/8	1/2		40	37
<i>H24B21QABC*</i>	208/230-1			12.6			5/16	1/2		40	37
<i>H23B203ABC*</i>	208/230-1			13.8			3/8	1/2		40	37
<i>H23B20QABC*</i>	208/230-1			13.8			3/8	5/8		40	37
<i>H23B20SABC*</i>	208/230-1			13.8			3/8	5/8		40	37
<i>H21B223ABC*</i>	208/230-1			13.3			3/8	5/8		40	37
<i>H20B243ABC*</i>	208/230-1			12.3			3/8	1/2		40	37
<i>H20B203ABC*</i>	208/230-1			12.3			3/8	1/2		40	37
<i>H20B213*</i>				12.6	7.5	7.5	5/16	1/2			
<i>H21B203*</i>				12.6	7.5	7.5	5/16	1/2			
<i>H2EA223*</i>				14.0	7.5	7.5	3/8	3/4			
<i>CH420TA</i>				13.3	7.5	7.5	3/8	5/8			
<i>CH455TA</i>											
<i>E195</i>											
<i>TCH443TA</i>											
<i>CT 20*</i>				12.7							
<i>B*223*</i>				13.3	8.3	7.5					
<i>C*223*</i>				14.9							
<i>CT 22*</i>				12.7							
CRC1-0175-PFV	208/230-1 208/230-1	9.4	9.0	13.8	7.5	7.5	3/8	5/8	MO	55	51
<i>CR22K6-PFV</i>	208/230-1	10.3	9.1	13.3	7.5	7.5	3/8	3/4	MO	45	43
<i>CR22KF-PFV</i>	208/230-1	9.3	9.3	13.3	7.5	7.5	3/8	3/4	MO	40	38
<i>CRC2-0175-PFV</i>	208/230-1	9.4	9.0	13.8	7.5	7.5	3/8	5/8	MO	55	51
<i>CRC4-0175-PFV</i>	208/230-1	9.4	9.6	13.8	7.5	7.5	3/8	3/4	MO	55	51
<i>SRB4-0200-PFV</i>	208/230-1			14.1	8.0	4.8	5/16	1/2	MO		
<i>SEB1-0200-PFV</i>	208/230-1			14.1	8.0	4.8	5/16	1/2	MO		
<i>SEP2-0200-PFV</i>	208/230-1			14.1	8.0	4.8	3/8	5/8	MO		
<i>SHB2-0200-PFV</i>	208/230-1			14.1	8.0	4.8	5/16	1/2	MO		
<i>SRB6-0200-PFV</i>	208/230-1			13.9	8.0	4.8	3/8	5/8	MO		

Compressor Data

“CR” Compressors

Model	R22					R502				
	App	RLA	BTUH	Watts	Amps	App	RLA	BTUH	Watts	Amps
CRC1-0175-PFV	AC	12.9	22600	2290	9.7					
	HT	12.9	20900	2290	9.7	MT	12.9	13900	1930	8.3
<i>SRB5-0200-PFV</i>	AC		22150							
<i>SRA5-0200-PFV</i>	AC		20900							
<i>AWG4520EXN</i>	AC		20500							
<i>AB5522F</i>	AC		21360							
<i>AB5522G</i>	AC		21360							
<i>AB5522H</i>	AC		21360							
<i>AH22M12V</i>	AC		21360							
<i>AH5522E</i>	AC		21360							
<i>AH8524E</i>	AC		21500							
<i>AW5522</i>	AC		21630							
<i>B21T18</i>	AC		21360							
<i>H29B22UABC*</i>	AC	9.6	22540	2105						
<i>H27B20QCBC*</i>	AC	8.1	20900	1830						
<i>H27B22QCBC*</i>	AC	8.9	22800	2000						
<i>H26B22QCBC*</i>	AC	8.7	22000	1964						
<i>H25B22QABC*</i>	AC	9.4	22700	2065						
<i>H24B223ABC*</i>	AC	12.2	23390	2695						
<i>H24B22QABC*</i>	AC	12.0	21800	2430						
<i>H24B24QABC*</i>	AC	12.0	23200	2560						
<i>H23B223ABC*</i>	AC	9.7	22800	2205						
<i>H23B22QABC*</i>	AC	9.7	21800	2225						
<i>H23B22SABC*</i>	AC	9.4	21550	2030						
<i>H20C233ABC*</i>	AC	11.5	22800	2100						
<i>H20B223*</i>	AC		21750							
<i>H22B233*</i>	AC		22330							
<i>H7246E</i>	AC		22000							
<i>CH470TA</i>	AC		21070							
<i>E225</i>	AC		21840							
<i>H490TA</i>	AC		22720							
<i>YCH506TA</i>	AC		21840							
<i>2520</i>	AC		21550							
<i>J*22</i>	AC		21900							
<i>M*23</i>	AC		23000							
<i>MT22JC</i>	AC		21750							
<i>B*233*</i>	AC		21843							
CRC1-0175-TF5	AC	10.0	21800	2230	6.8					
	HT	10.0	20500	2230	6.8	MT*				
<i>CR22K6-TF5</i>	AC	7.5	22000	2030	6.1					
<i>AWG5520EXT</i>	AC		20000							
<i>H29B22UDBL*</i>	AC	6.5	22700	2100						
<i>H25B22QDBL*</i>	AC	6.2	22700	2065						
<i>H23B223DBL*</i>	AC	6.8	22200	2260						
<i>H23B20QDBL*</i>	AC	6.5	19500	2025						
<i>H23B22QDBL*</i>	AC	6.8	21550	2240						

Compressor Data

Model	Volts/ Phase	Dimensions (inches)			Mounting (inches)		Connections (inches)		Oil Type	Oil Charge (ounces)	
		L	W	H	L	W	Disch	Suct		Initial	Recharge
CRC1-0175-PFV	208/230-1	9.4	9.0	13.8	7.5	7.5	3/8	5/8	MO	55	51
	208/230-1										
<i>SRB5-0200-PFV</i>	208/230-1			14.1	8.0	4.8	3/8	5/8	MO		
<i>SRA5-0200-PFV</i>	208/230-1			14.1	8.0	4.8	3/8	5/8	MO		
<i>AWG4520EXN</i>	208/230-1						3/8	1 1/4			
<i>AB5522F</i>				12.6	7.5	7.5	3/8	1/2			
<i>AB5522G</i>				12.6	7.5	7.5	3/8	1/2			
<i>AB5522H</i>				12.6	7.5	7.5	3/8	1/2			
<i>AH22M12V</i>											
<i>AH5522E</i>				13.0	7.5	7.5	3/8	5/8			
<i>AH8524E</i>				14.6	7.5	7.5	3/8	5/8			
<i>AW5522</i>				12.8	7.5	7.5	3/8	3/4			
<i>B21T18</i>											
<i>H29B22UABC*</i>	208/230-1			14.0			3/8	5/8		35	32
<i>H27B20QCBC*</i>	208/230-1			15.3			1/2	3/4		35	32
<i>H27B22QCBC*</i>	208/230-1			15.3			1/2	3/4		35	32
<i>H26B22QCBC*</i>	208/230-1			15.0			3/8	3/4		35	32
<i>H25B22QABC*</i>	208/230-1			14.3			3/8	3/4		35	32
<i>H24B223ABC*</i>	208/230-1			13.6			5/16	1/2		40	37
<i>H24B22QABC*</i>	208/230-1			12.6			5/16	1/2		40	37
<i>H24B24QABC*</i>	208/230-1			13.3			5/16	1/2		40	37
<i>H23B223ABC*</i>	208/230-1			13.8			3/8	5/8		40	37
<i>H23B22QABC*</i>	208/230-1			13.8			3/8	5/8		40	37
<i>H23B22SABC*</i>	208/230-1			13.8			3/8	5/8		40	37
<i>H20C233ABC*</i>	208/230-1			15.4			3/4	1/2		36	34
<i>H20B223*</i>				12.6	7.5	7.5	5/16	1/2			
<i>H22B233*</i>				13.2	7.5	7.5	3/8	5/8			
<i>H7246E</i>				13.2	7.5	7.5	5/16	1/2			
<i>CH470TA</i>											
<i>E225</i>				13.1	7.5	7.5	5/16	1/2			
<i>H490TA</i>											
<i>YCH506TA</i>											
<i>2520</i>											
<i>J*22</i>				13.3	7.5	7.5	3/8	5/8			
<i>M*23</i>				14.3	7.5	7.5	3/8	5/8			
<i>MT22JC</i>				12.6							
<i>B*233*</i>				13.3	8.3	7.5					
CRC1-0175-TF5	200/230-3	9.4	9.0	13.8	7.5	7.5	3/8	5/8	MO	55	51
	200/230-3										
<i>CR22K6-TF5</i>	200/230-3	10.3	9.1	13.3	7.5	7.5	3/8	3/4	MO	45	43
<i>AWG5520EXT</i>	200/230-3						3/8	1 1/4			
<i>H29B22UDBL*</i>	200/230-3			13.6			3/8	5/8		35	32
<i>H25B22QDBL*</i>	200/230-3			14.3			3/8	3/4		35	32
<i>H23B223DBL*</i>	200/230-3			13.2			3/8	5/8		40	37
<i>H23B20QDBL*</i>	200/230-3			13.2			3/8	5/8		40	37
<i>H23B22QDBL*</i>	200/230-3			13.2			3/8	5/8		40	37

Compressor Data

“CR” Compressors

Model	R22					R502				
	App	RLA	BTUH	Watts	Amps	App	RLA	BTUH	Watts	Amps
CRD1-0200-PFV	AC	13.4	24100	2440	10.8					
	HT	13.4	22200	2430	10.8	MT	13.4	14300	1980	9.0
CR24K6-PFV	AC	12.4	24500	2250	10.0					
CR24KF-PFV	AC	12.4	24200	2270	10.2					
CRD4-0200-PFV	AC	12.1	24000	2350	10.5					
SRC4-0200-PFV	AC		23800							
SEC1-0200-PFV	AC		23800							
SHC2-0200-PFV	AC		24000							
SRC6-0200-PFV	AC		24100							
SRC5-0200-PFV	AC		24500							
SRH4-0200-PFV	AC		25250							
SEH1-0200-PFV	AC	15.7	25250	2740	12.2					
AHA4524EXD	AC	12.2	24000	2750						
AWG4524EXN	AC		24200							
AWG5524EXN	AC		24200							
AB5524F	AC		23300							
AB5524G	AC		23790							
AB5524H	AC		23790							
AH24P12V	AC		23300							
AH5524E	AC		23300							
AH8526E	AC		23000							
AH8529E	AC		24500							
AW5524	AC		23990							
B02A	AC		23300							
B21U18	AC		23300							
H29B24UABC*	AC	9.6	24250	2215						
H27B24QCBC*	AC	9.4	24100	2110						
H26B24QCBC*	AC	9.4	24000	2136						
H25B24QABC*	AC	9.6	24000	2180						
H23B243ABC*	AC	10.4	24300	2380						
H23B24QABC*	AC	10.9	24000	2450						
H23B24SABC*	AC	10.0	24200	2300						
H20B263*	AC		25240							
H21B243*	AC		23880							
H22B253*	AC		25240							
H2EA253*	AC		25050							
H7250E	AC		23300							
CH490TA	AC		23690							
CH565TA	AC		25730							
E245	AC		23790							
H200TA	AC		23500							
YCH540TA	AC		23790							
2522	AC		23690							
J*25	AC		25900							
M*24	AC		24000							

Compressor Data

Model	Volts/ Phase	Dimensions (inches)			Mounting (inches)		Connections (inches)		Oil Type	Oil Charge (ounces)	
		L	W	H	L	W	Disch	Suct		Initial	Recharge
CRD1-0200-PFV	208/230-1 208/230-1	9.4	9.0	13.8	7.5	7.5	3/8	5/8	MO	55	51
CR24K6-PFV	208/230-1	10.3	9.1	13.4	7.5	7.5	3/8	3/4	MO	45	43
CR24KF-PFV	208/230-1	9.3	9.3	13.9	7.5	7.5	3/8	3/4	MO	40	38
CRD4-0200-PFV	208/230-1	9.4	9.6	13.8	7.5	7.5	3/8	3/4	MO	55	51
SRC4-0200-PFV	208/230-1			14.1	8.0	4.8	5/16	1/2	MO		
SEC1-0200-PFV	208/230-1			14.1	8.0	4.8	5/16	1/2	MO		
SHC2-0200-PFV	208/230-1			14.1	8.0	4.8	5/16	1/2	MO		
SRC6-0200-PFV	208/230-1			13.9	8.0	4.8	3/8	5/8	MO		
SRC5-0200-PFV	208/230-1			14.1	8.0	4.8	3/8	5/8	MO		
SRH4-0200-PFV	208/230-1			14.1	8.0	4.8	3/8	5/8	MO		
SEH1-0200-PFV	208/230-1			14.1	8.0	4.8	3/8	5/8	MO		
AHA4524EXD	208/230-1	9.4	9.0	13.8	7.5	7.5	3/8	5/8		55	51
AWG4524EXN	208/230-1						3/8	5/8			
AWG5524EXN	208/230-1										
AB5524F				12.8	7.5	7.5	5/16	1/2			
AB5524G				15.0	7.5	7.5	3/8	5/8			
AB5524H				15.0	7.5	7.5	3/8	3/4			
AH24P12V				14.4	7.5	7.5	3/8	5/8			
AH5524E				14.6	7.5	7.5	3/8	5/8			
AH8526E				15.1	7.5	7.5	3/8	5/8			
AH8529E				14.5	7.5	7.5	3/8	3/4			
AW5524				12.8	7.5	7.5	3/8	3/4			
B02A											
B21U18											
H29B24UABC*	208/230-1			14.0			3/8	5/8		35	32
H27B24QCBC*	208/230-1			15.3			1/2	3/4		35	32
H26B24QCBC*	208/230-1			15.0			3/8	3/4		35	32
H25B24QABC*	208/230-1			14.8			3/8	3/4		35	32
H23B243ABC*	208/230-1			13.8			3/8	5/8		40	37
H23B24QABC*	208/230-1			13.8			3/8	5/8		40	37
H23B24SABC*	208/230-1			14.3			3/8	5/8		40	37
H20B263*				13.3	7.5	7.5	5/16	5/8			
H21B243*				13.3	7.5	7.5	3/8	5/8			
H22B253*				14.5	7.5	7.5	3/8	5/8			
H2EA253*				14.6	7.5	7.5	3/8	3/4			
H7250E				13.2	7.5	7.5	5/16	1/2			
CH490TA				13.3	7.5	7.5	3/8	5/8			
CH565TA				13.9	7.5	7.5	3/8	5/8			
E245				13.1	7.5	7.5	3/8	5/8			
H200TA											
YCH540TA											
2522											
J*25				13.3	7.5	7.5	3/8	5/8			
M*24				14.3	7.5	7.5	3/8	5/8			

Compressor Data

“CR” Compressors

Model	R22					R502				
	App	RLA	BTUH	Watts	Amps	App	RLA	BTUH	Watts	Amps
CRD1-0200-PFV	AC	13.4	24100	2440	10.8					
	HT	13.4	22200	2430	10.8	MT	13.4	14300	1980	9.0
<i>M*27</i>	AC		25100							
<i>B*253*</i>	AC		23562							
<i>CT 25*</i>	AC		24000							
<i>B*273*</i>	AC		25258							
CRD1-0200-TF5	AC	8.7	23800	2460	7.0					
	HT	8.7	22000	2460	7.0	MT	8.7	14300	1900	5.2
<i>CR24K6-TF5</i>	AC	7.7	24000	2210	6.7					
<i>AHA4524EXF</i>	AC	8.0	24000	2650						
<i>AWG5524EXT</i>	AC		23600							
<i>AWF5524EXT</i>	AC		24400							
<i>H29B24UDBL*</i>	AC	6.5	23700	2190						
<i>H25B24QDBL*</i>	AC	6.5	23800	2165						
<i>H23B24QDBL*</i>	AC	7.3	24000	2450						
CRD1-0200-TFD	AC	4.2	23800	2460	3.5					
	HT	4.2	22680	2455	3.5	MT	4.2	14300	1900	5.2
<i>CR22K6-TFD</i>	AC	3.9	22000	2030	3.0					
<i>CR24K6-TFD</i>	AC	4.0	24000	2210	3.4					
<i>AWF5524EXG</i>	AC		24400							
<i>H29B24UDBE*</i>	AC	6.5	23700	2190						
<i>H25B24QDBE*</i>	AC	6.5	23800	2165						
<i>H23B24QDBE*</i>	AC	7.3	24000	2450						
CRE1-0225-TF5	AC	10.6	27000	2730	7.8					
	HT	10.6	25000	2730	7.8	MT	10.6	16200	2200	6.5
<i>H29B26UDBL*</i>	AC	7.8	26200	2430						
<i>H29B28UDBL*</i>	AC	7.8	27800	2570						
<i>H23B26QDBL*</i>	AC	7.7	25700	2620						
<i>H23B28QDBL*</i>	AC	8.1	27500	2800						
<i>H23A263DBL*</i>	AC	7.4	26000	2600						
CRE1-0225-TFD	AC	4.5	27000	2730	3.9					
	HT	4.5	25000	2730	3.9	MT	4.5	16200	2200	6.5
<i>H29B26UDBE*</i>	AC	7.8	26200	2430						
<i>H29B28UDBE*</i>	AC	7.8	27800	2570						
<i>H23B26QDBE*</i>	AC	7.7	25700	2620						
<i>H23B28QDBE*</i>	AC	8.1	27500	2800						
<i>H23A263DBE*</i>	AC	7.4	26000	2570						

Compressor Data

Model	Volts/ Phase	Dimensions (inches)			Mounting (inches)		Connections (inches)		Oil Type	Oil Charge (ounces)	
		L	W	H	L	W	Disch	Suct		Initial	Recharge
CRD1-0200-PFV	208/230-1 208/230-1	9.4	9.0	13.8	7.5	7.5	3/8	5/8	MO	55	51
<i>M*27</i>				14.3	7.5	7.5					
<i>B*253*</i>				13.3	8.3	7.5	3/8	5/8			
<i>CT 25*</i>				12.7							
<i>B*273*</i>				13.3	8.3	7.5					
CRD1-0200-TF5	200/230-3 200/230-3	9.4	9.0	13.8	7.5	7.5	3/8	5/8	MO	55	51
CR24K6-TF5	200/230-3	10.3	9.1	13.4	7.5	7.5	3/8	3/4	MO	45	43
AHA4524EXF	208/230-3						3/8	5/8		45	
AWG5524EXT	200/230-3						3/8	5/8			
AWF5524EXT	208/230-1										
H29B24UDBL*	200/230-3			14.0			3/8	5/8		35	32
H25B24QDBL*	200/230-3			14.3			3/8	3/4		35	32
H23B24QDBL*	200/230-3			13.8			3/8	5/8		40	37
CRD1-0200-TFD	460-3 460-3	9.4	9.0	13.8	7.5	7.5	3/8	5/8	MO	55	51
CR22K6-TFD	460-3	10.3	9.1	13.3	7.5	7.5	3/8	3/4	MO	45	43
CR24K6-TFD	460-3	10.3	9.1	13.4	7.5	7.5	3/8	3/4	MO	45	43
AWF5524EXG	460-3										
H29B24UDBE*	460-3			14.0			3/8	5/8		35	32
H25B24QDBE*	460-3			14.3			3/8	3/4		35	32
H23B24QDBE*	460-3			13.8			3/8	5/8		40	37
CRE1-0225-TF5	200/230-3 200/230-3	9.4	9.0	14.1	7.5	7.5	3/8	5/8	MO	55	51
H29B26UDBL*	200/230-3			14.0			3/8	5/8		35	32
H29B28UDBL*	200/230-3			14.0			3/8	5/8		35	32
H23B26QDBL*	200/230-3			13.8			3/8	5/8		40	37
H23B28QDBL*	200/230-3			13.8			3/8	5/8		40	37
H23A263DBL*	200/230-3			14.7			3/8	3/4		50	47
CRE1-0225-TFD	460-3 460-3	9.4	9.0	14.1	7.5	7.5	3/8	5/8	MO	55	51
H29B26UDBE*	460-3			14.0			3/8	5/8		35	32
H29B28UDBE*	460-3			14.0			3/8	5/8		35	32
H23B26QDBE*	460-3			13.8			3/8	5/8		40	37
H23B28QDBE*	460-3			13.8			3/8	5/8		40	37
H23A263DBE*	460-3			14.7			3/8	3/4		50	47

Compressor Data

“CR” Compressors

Model	R22					R502				
	App	RLA	BTUH	Watts	Amps	App	RLA	BTUH	Watts	Amps
CRE2-0225-PFV	AC	15.3	27800	2840	13.0	MT*				
	HT	15.3	25700	2840	13.0					
CR26K6-PFV	AC	13.6	26200	2440	11.4					
CR26KF-PFV	AC	13.6	26600	2490	11.7					
CR28K6-PFV	AC	15.3	28200	2610	12.4					
CR28KF-PFV	AC	15.3	28600	2680	12.8					
CRE4-0225-PFV	AC	11.8	27800	2720	12.5					
SRD4-0224-PFV	AC		27400							
SRD4-0225-PFV	AC		27400							
SRD5-0225-PFV	AC		27450							
SRD6-0225-PFV	AC		28250							
SRJ4-0225-PFV	AC		28650							
SEJ1-0225-PFV	AC		28650							
AWG5528EXN	AC		28000							
AB5528G	AC		27570							
AB5528H	AC		27570							
AH28Q13V	AC		26310							
AH5527E	AC		26310							
AH8532E	AC		27700							
B02B	AC		25730							
H29B26UABC*	AC	11.8	26470	2425						
H27B26QCBC*	AC	1.4	27000	2370						
H26B26QCBC*	AC	10.7	27300	2424						
H25B26QABC*	AC	11.0	26900	2445						
H24B263ABC*	AC	13.8	26750	2995						
H24B26QABC*	AC	13.4	25800	2810						
H24B28QABC*	AC	14.4	27350	3020						
H23B263ABC*	AC	11.4	26600	2605						
H23B26QABC*	AC	12.2	26300	2700						
H23B26SABC*	AC	11.6	26600	2550						
H21B263ABC*	AC	12.3	26100	2770						
H20B283ABC*	AC	14.4	27350	3080						
H23A263ABC*	AC	11.4	26300	2560						
H23A283ABC*	AC	12.4	27500	2680						
H20B293*	AC		28160							
H21A273*	AC		27380							
H21A293*	AC		28060							
H21B273*	AC		27180							
H21B283*	AC		27770							
H22A273*	AC		26210							
H2EA293*	AC		28640							
H7257E	AC		26410							
E275	AC		26700							
YCH607TA	AC		26700							
2525	AC		26940							

Compressor Data

Model	Volts/ Phase	Dimensions (inches)			Mounting (inches)		Connections (inches)		Oil Type	Oil Charge (ounces)	
		L	W	H	L	W	Disch	Suct		Initial	Recharge
CRE2-0225-PFV	208/230-1 208/230-1	9.4	9.0	14.1	7.5	7.5	3/8	5/8	MO	55	51
CR26K6-PFV	208/230-1	10.3	9.1	13.6	7.5	7.5	1/2	3/4	MO	45	43
CR26KF-PFV	208/230-1	9.3	9.3	13.5	7.5	7.5	3/8	3/4	MO	40	38
CR28K6-PFV	208/230-1	10.3	9.1	13.6	7.5	7.5	1/2	3/4	MO	45	43
CR28KF-PFV	208/230-1	9.3	9.3	13.5	7.5	7.5	3/8	3/4	MO	40	38
CRE4-0225-PFV	208/230-1	9.4	9.6	14.1	7.5	7.5	3/8	3/4	MO	55	51
SRD4-0224-PFV	208/230-1			14.1	8.0	4.8	3/8	5/8	MO		
SRD4-0225-PFV	208/230-1			14.7	8.0	4.8	3/8	5/8	MO		
SRD5-0225-PFV	208/230-1			14.7	8.0	4.8	3/8	5/8	MO		
SRD6-0225-PFV	208/230-1			14.1	8.0	4.8	3/8	5/8	MO		
SRJ4-0225-PFV	208/230-1			14.7	8.0	4.8	3/8	5/8	MO		
SEJ1-0225-PFV	208/230-1			14.7	8.0	4.8	3/8	5/8	MO		
AWG5528EXN	208/230-1										
AB5528G				13.4	7.5	7.5	5/16	1/2			
AB5528H				13.4	7.5	7.5	5/16	1/2			
AH28Q13V				13.5	7.5	7.5	3/8	1/2			
AH5527E				13.5	7.5	7.5	3/8	1/2			
AH8532E				14.6	7.5	7.5	3/8	3/4			
B02B											
H29B26UABC*	208/230-1			14.0			3/8	5/8		35	32
H27B26QCBC*	208/230-1			15.3			1/2	3/4		35	32
H26B26QCBC*	208/230-1			15.0			3/8	3/4		35	32
H25B26QABC*	208/230-1			14.8			3/8	3/4		35	32
H24B263ABC*	208/230-1			13.6			5/16	1/2		40	37
H24B26QABC*	208/230-1			13.3			5/16	1/2		40	37
H24B28QABC*	208/230-1			13.3			5/16	1/2		40	37
H23B263ABC*	208/230-1			13.8			3/8	5/8		40	37
H23B26QABC*	208/230-1			13.8			3/8	5/8		40	37
H23B26SABC*	208/230-1			14.3			3/8	5/8		40	37
H21B263ABC*	208/230-1			13.3			3/8	5/8		40	37
H20B283ABC*	208/230-1			13.3			3/8	5/8		40	37
H23A263ABC*	208/230-1			14.7			3/8	3/4		50	47
H23A283ABC*	208/230-1			14.7			3/8	3/4		50	47
H20B293*				14.6	7.5	7.5	3/8	5/8			
H21A273*				14.6	7.5	7.5	3/8	3/4			
H21A293*				14.6	7.5	7.5	3/8	5/8			
H21B273*				13.3	7.5	7.5	3/8	5/8			
H21B283*				13.3	7.5	7.5	3/8	5/8			
H22A273*				14.6	7.5	7.5	3/8	3/4			
H2EA293*				14.6	7.5	7.5	3/8	3/4			
H7257E				13.2	7.5	7.5	3/8	5/8			
E275				13.6	7.5	7.5	3/8	5/8			
YCH607TA											
2525											

Compressor Data

“CR” Compressors

Model	R22					R502				
	App	RLA	BTUH	Watts	Amps	App	RLA	BTUH	Watts	Amps
CRE2-0225-PFV	AC	15.3	27800	2840	13.0					
	HT	15.3	25700	2840	13.0	MT*				
<i>J*28</i>	AC		26600							
<i>J*30</i>	AC		28400							
<i>CT 28*</i>	AC		26500							
<i>G*283*</i>	AC		26558							
<i>CT 2</i>	AC		26990							
<i>B*283*</i>	AC		27025							
<i>J*2*</i>	AC		28000							
<i>G*303*</i>	AC		28547							
CRF1-0250-TF5	AC	11.4	28700	2970	8.4					
	HT	11.4	26500	2970	8.5	MT	11.4	17500	2390	7.1
CR28K6-TF5	AC	10.0	28100	2570	8.1					
CR30K6-TF5	AC	10.4	29800	2710	8.3					
AWF5530EXT	AC		29700							
<i>H29B30UDBL*</i>	AC	8.5	29700	2740						
<i>H25B28QDBL*</i>	AC	7.8	28200	2165						
<i>H25B30QDBL*</i>	AC	8.2	30000	2700						
<i>H23B283DBL*</i>	AC	8.0	28100	2785						
<i>H23B30QDBL*</i>	AC	9.3	30000	3100						
<i>H23A303DBL*</i>	AC	8.8	29200	2830						
CRF1-0250-TFD	AC	5.4	28700	2970	4.2					
	HT	5.4	26500	2970	4.2	MT	5.4	17500	2390	7.1
CR28K6-TFD	AC	4.8	28100	2570	4.0					
CR30K6-TFD	AC	4.9	29800	2710	4.2					
AWF5530EXG	AC		29700							
<i>H29B30UDBE*</i>	AC	8.5	29700	2740						
<i>H25B28QDBE*</i>	AC	7.8	28200	2165						
<i>H25B30QDBE*</i>	AC	8.2	30000	2700						
<i>H23B283DBE*</i>	AC	8.0	28100	2785						
<i>H23B30QDBE*</i>	AC	9.3	30000	3100						
<i>H23A303DBE*</i>	AC	8.8	29200	2830						
CRF2-0250-PFV	AC	17.1	29800	3050	14.0					
	HT	17.1	27600	3050	14.0					
CR30K6-PFV	AC	16.0	30000	2750	12.9					
CR30KF-PFV	AC	16.0	30000	2800	13.3					
<i>CRF4-0250-PFV</i>	AC	15.2	29800	2920	13.2					
<i>SEH2-0225-PFV</i>	AC		29100	2960	13.1					
<i>SRE4-0250-PFV</i>	AC		29600							
<i>SHK2-0250-PFV</i>	AC		30500							
<i>SRK4-0250-PFV</i>	AC		30600							
<i>SEK1-0250-PFV</i>	AC		30600							

Compressor Data

Model	Volts/ Phase	Dimensions (inches)			Mounting (inches)		Connections (inches)		Oil Type	Oil Charge (ounces)	
		L	W	H	L	W	Disch	Suct		Initial	Recharge
CRE2-0225-PFV	208/230-1 208/230-1	9.4	9.0	14.1	7.5	7.5	3/8	5/8	MO	55	51
<i>J*28</i>				13.3	7.5	7.5	3/8	5/8			
<i>J*30</i>				13.3	7.5	7.5	3/8	5/8			
<i>CT 28*</i>				12.7							
<i>G*283*</i>				14.3	10.6	8.8					
<i>CT 2</i>				14.5							
<i>B*283*</i>				14.3	8.3	7.5					
<i>J*2*</i>											
<i>G*303*</i>				14.3	10.6	8.8					
CRF1-0250-TF5	200/230-3 200/230-3	9.4	9.0	14.2	7.5	7.5	3/8	3/4	MO	55	51
CR28K6-TF5	200/230-3	10.3	9.1	13.6	7.5	7.5	1/2	3/4	MO	45	43
CR30K6-TF5	200/230-3	10.3	9.1	13.8	7.5	7.5	3/8	3/4	MO	45	43
AWF5530EXT	208/230-3										
<i>H29B30UDBL*</i>	200/230-3			14.6			3/8	5/8		35	32
<i>H25B28QDBL*</i>	200/230-3			14.3			3/8	3/4		35	32
<i>H25B30QDBL*</i>	200/230-3			14.8			3/8	3/4		35	32
<i>H23B283DBL*</i>	200/230-3			13.8			3/8	5/8		40	37
<i>H23B30QDBL*</i>	200/230-3			13.8			3/8	5/8		40	37
<i>H23A303DBL*</i>	200/230-3			14.7			3/8	3/4		50	47
CRF1-0250-TFD	460-3 460-3	9.4	9.0	14.2	7.5	7.5	3/8	3/4	MO	55	51
CR28K6-TFD	460-3	10.3	9.1	13.6	7.5	7.5	1/2	3/4	MO	45	43
CR30K6-TFD	460-3	10.3	9.1	13.8	7.5	7.5	3/8	3/4	MO	45	43
AWF5530EXG	460-3										
<i>H29B30UDBE*</i>	460-3			14.6			3/8	5/8		35	32
<i>H25B28QDBE*</i>	460-3			14.3			3/8	3/4		35	32
<i>H25B30QDBE*</i>	460-3			14.8			3/8	3/4		35	32
<i>H23B283DBE*</i>	460-3			13.8			3/8	5/8		40	37
<i>H23B30QDBE*</i>	460-3			13.8			3/8	5/8		40	37
<i>H23A303DBE*</i>	460-3			14.7			3/8	3/4		50	47
CRF2-0250-PFV	208/230-1 208/230-1	9.4	9.0	14.2	7.5	7.5	3/8	3/4	MO	55	51
CR30K6-PFV	208/230-1	10.3	9.1	13.8	7.5	7.5	3/8	3/4	MO	45	43
CR30KF-PFV	208/230-1	9.3	9.3	13.8	7.5	7.5	1/2	3/4	MO	40	38
<i>CRF4-0250-PFV</i>	208/230-1	9.4	9.6	14.2	7.5	7.5	3/8	3/4	MO	55	51
<i>SEH2-0225-PFV</i>	208/230-1			14.9	8.0	4.8	3/8	5/8	MO		
<i>SRE4-0250-PFV</i>	208/230-1			14.7	8.0	4.8	3/8	5/8	MO		
<i>SHK2-0250-PFV</i>	208/230-1			14.7	8.0	4.8	3/8	5/8	MO		
<i>SRK4-0250-PFV</i>	208/230-1			14.7	8.0	4.8	3/8	5/8	MO		
<i>SEK1-0250-PFV</i>	208/230-1			14.7	8.0	4.8	3/8	5/8	MO		

Compressor Data

“CR” Compressors

Model	R22					R502				
	App	RLA	BTUH	Watts	Amps	App	RLA	BTUH	Watts	Amps
CRF2-0250-PFV	AC	17.1	29800	3050	14.0					
	HT	17.1	27600	3050	14.0					
<i>AWG5530EXN</i>	AC		30200							
<i>AB5530G</i>	AC		29130							
<i>AB5530H</i>	AC		29130							
<i>AH31S13V</i>	AC		29130							
<i>AH31T13</i>	AC		30100							
<i>AH5531E</i>	AC		30100							
<i>AV5532E</i>	AC		31070							
<i>AW5528</i>	AC		28000							
<i>AW5530</i>	AC		29500							
<i>CL26X12</i>	AC		30100							
<i>H29B28UABC*</i>	AC	11.8	28215	2600						
<i>H29B30UABC*</i>	AC	12.4	29840	2725						
<i>H27B28QCBC*</i>	AC	11.1	28500	2500						
<i>H27B30QCBC*</i>	AC	11.7	30600	2680						
<i>H26B28QCBC*</i>	AC	11.9	28700	2564						
<i>H26B30QCBC*</i>	AC	12.2	30700	2724						
<i>H25B28QABC*</i>	AC	11.5	28300	2570						
<i>H25B30QABC*</i>	AC	12.5	30300	2775						
<i>H24B283ABC*</i>	AC	15.2	28300	3235						
<i>H24B29QABC*</i>	AC	16.0	29000	3270						
<i>H24B30QABC*</i>	AC	16.3	30000	3420						
<i>H23B283ABC*</i>	AC	12.3	28300	2780						
<i>H23B303ABC*</i>	AC	13.3	30300	2990						
<i>H23B28QABC*</i>	AC	12.8	27600	2875						
<i>H23B30QABC*</i>	AC	13.3	30100	3100						
<i>H23B28SABC*</i>	AC	11.8	27700	2630						
<i>H23B30SABC*</i>	AC	13.2	30200	2915						
<i>H27A28QCBC*</i>	AC	10.7	28200	2410						
<i>H26A32QCBC*</i>	AC	11.8	31200	2696						
<i>H23A303ABC*</i>	AC	13.0	29200	2870						
<i>H20C303ABC*</i>	AC	14.7	29800	2700						
<i>H20A303*</i>	AC		29130							
<i>H20A323*</i>	AC		31070							
<i>H20B313*</i>	AC		30100							
<i>H21B293*</i>	AC		29130							
<i>H22A293*</i>	AC		29130							
<i>H22A313*</i>	AC		31070							
<i>H7265E</i>	AC		30290							
<i>C310</i>	AC		30100							
<i>E315</i>	AC		30580							
<i>YCH698TA</i>	AC		30580							
<i>YCH725TA</i>	AC		30100							

Compressor Data

Model	Volts/ Phase	Dimensions (inches)			Mounting (inches)		Connections (inches)		Oil Type	Oil Charge (ounces)	
		L	W	H	L	W	Disch	Suct		Initial	Recharge
CRF2-0250-PFV	208/230-1 208/230-1	9.4	9.0	14.2	7.5	7.5	3/8	3/4	MO	55	51
<i>AWG5530EXN</i>											
<i>AB5530G</i>				13.4	7.5	7.5	5/16	1/2			
<i>AB5530H</i>				13.4	7.5	7.5	5/16	1/2			
<i>AH31S13V</i>											
<i>AH31T13</i>											
<i>AH5531E</i>				15.1	7.5	7.5	3/8	3/4			
<i>AV5532E</i>				14.3	7.5	7.5	3/8	3/4			
<i>AW5528</i>				12.8	7.5	7.5	3/8	3/4			
<i>AW5530</i>				12.8	7.5	7.5	3/8	3/4			
<i>CL26X12</i>											
<i>H29B28UABC*</i>	208/230-1			14.0			3/8	5/8		35	32
<i>H29B30UABC*</i>	208/230-1			14.6			3/8	5/8		35	32
<i>H27B28QCBC*</i>	208/230-1			15.3			3/8	1/2		35	32
<i>H27B30QCBC*</i>	208/230-1			15.3			3/8	1/2		35	32
<i>H26B28QCBC*</i>	208/230-1			15.0			3/8	3/4		35	32
<i>H26B30QCBC*</i>	208/230-1			15.0			3/8	3/4		35	32
<i>H25B28QABC*</i>	208/230-1			14.8			3/8	3/4		35	32
<i>H25B30QABC*</i>	208/230-1			14.8			3/8	3/4		35	32
<i>H24B283ABC*</i>	208/230-1			13.6			5/16	1/2		40	37
<i>H24B29QABC*</i>	208/230-1			13.3			5/16	1/2		40	37
<i>H24B30QABC*</i>	208/230-1			13.3			5/16	1/2		40	37
<i>H23B283ABC*</i>	208/230-1			13.8			3/8	5/8		40	37
<i>H23B303ABC*</i>	208/230-1			13.8			3/8	5/8		40	37
<i>H23B28QABC*</i>	208/230-1			13.8			3/8	5/8		40	37
<i>H23B30QABC*</i>	208/230-1			13.8			3/8	5/8		40	37
<i>H23B28SABC*</i>	208/230-1			14.3			3/8	5/8		40	37
<i>H23B30SABC*</i>	208/230-1			14.3			3/8	5/8		40	37
<i>H27A28QCBC*</i>	208/230-1			16.5			5/8	7/8		65	62
<i>H26A32QCBC*</i>	208/230-1			16.7			1/2	7/8		65	62
<i>H23A303ABC*</i>	208/230-1			14.7			3/8	3/4		50	47
<i>H20C303ABC*</i>	208/230-1			15.4			3/4	1/2		36	34
<i>H20A303*</i>				14.0	7.5	7.5	3/8	5/8			
<i>H20A323*</i>				14.6	7.5	7.5	3/8	5/8			
<i>H20B313*</i>				14.6	7.5	7.5	3/8	3/4			
<i>H21B293*</i>				14.6	7.5	7.5	3/8	5/8			
<i>H22A293*</i>				14.6	7.5	7.5	3/8	5/8			
<i>H22A313*</i>				14.6	7.5	7.5	3/8	3/4			
<i>H7265E</i>				14.1	7.5	7.5	3/8	5/8			
<i>C310</i>				16.8	7.5	7.5	3/8	3/4			
<i>E315</i>				13.6	7.5	7.5	3/8	3/4			
<i>YCH698TA</i>											
<i>YCH725TA</i>											

Compressor Data

“CR” Compressors

Model	R22					R502				
	App	RLA	BTUH	Watts	Amps	App	RLA	BTUH	Watts	Amps
CRF2-0250-PFV	AC	17.1	29800	3050	14.0					
	HT	17.1	27600	3050	14.0					
<i>YH725TA</i>	AC		30100							
<i>3002-3E02</i>	AC		30600							
<i>M*30</i>	AC		28800							
<i>M*32</i>	AC		28800							
<i>R*30</i>	AC		29800							
<i>MT28JE</i>	AC		29880							
<i>B*303*</i>	AC		28848							
<i>CT 32*</i>	AC		30000							
<i>B*323*</i>	AC		30486							
<i>F*323*</i>	AC		30498							
CR33KQ-PFV	AC	16.0	32700	3270	14.8	MT*				
	HT	16.0	30185	3259	14.8					
<i>CRG3-0250-PFV</i>	AC	17.3	32700	3210	14.6					
	HT	17.3	30200	3210	14.6	MT*				
<i>CR32K6-PFV</i>	AC	16.1	32000	2970	13.6					
<i>CR32KF-PFV</i>	AC	16.1	32800	3050	14.2					
<i>CRG1-0250-PFV</i>	AC		31600			MT	17.3	19500	2660	11.8
<i>SHM2-0275-PFV</i>	AC		32900							
<i>SRM4-0275-PFV</i>	AC		33000							
<i>SEM1-0275-PFV</i>	AC		33000							
<i>YEJ1-0275-PFV</i>	AC		33000							
<i>YHJ1-0275-PFV</i>	AC		33000							
<i>SRK5-0250-PFV</i>	AC		31150							
<i>AVA5532EXN</i>	AC		32000							
<i>AH34X13</i>	AC		33400							
<i>AH5533E</i>	AC		32520							
<i>AH5534E</i>	AC		33400							
<i>AH8538E</i>	AC		31200							
<i>AW5532</i>	AC		31500							
<i>H29B32UABC*</i>	AC	13.0	31800	2920						
<i>H29B33UABC*</i>	AC	13.5	32910	3015						
<i>H27B32QCBC*</i>	AC	12.6	32900	2890						
<i>H25B32QABC*</i>	AC	13.0	32200	2925						
<i>H23B323ABC*</i>	AC	14.8	32000	3230						
<i>H23B32QABC*</i>	AC	15.3	31800	3350						
<i>H23B32SABC*</i>	AC	14.3	32400	3160						
<i>H23B33SABC*</i>	AC	14.3	33200	3260						
<i>H27A32QCBC*</i>	AC	11.8	31500	2670						
<i>H25A32QCBC*</i>	AC	12.0	32000	2805						
<i>H23A323ABC*</i>	AC	13.9	31700	3080						

Compressor Data

Model	Volts/ Phase	Dimensions (inches)			Mounting (inches)		Connections (inches)		Oil Type	Oil Charge (ounces)	
		L	W	H	L	W	Disch	Suct		Initial	Recharge
CRF2-0250-PFV	208/230-1 208/230-1	9.4	9.0	14.2	7.5	7.5	3/8	3/4	MO	55	51
YH725TA											
3002-3E02				15.9	7.5	7.5	1/2	3/4			
M*30				14.3	7.5	7.5	3/8	5/8			
M*32				14.3	7.5	7.5	3/8	5/8			
R*30				12.1	9.6	9.6	3/8	5/8			
MT28JE				12.6							
B*303*				14.3	8.3	7.5					
CT 32*				13.6							
B*323*				14.3	8.3	7.5					
F*323*				15.7	11	8.8					
CR33KQ-PFV	208/230-1 208/230-1	9.3	9.3	13.5	7.5	7.5	3/8	3/4	MO		
CRG3-0250-PFV	208/230-1 208/230-1	9.4	9.0	14.3	7.5	7.5	3/8	3/4	MO	55	51
CR32K6-PFV	208/230-1	10.3	9.1	13.8	7.5	7.5	1/2	3/4	MO	45	43
CR32KF-PFV	208/230-1	9.3	9.3	13.8	7.5	7.5	3/8	3/4	MO	40	38
CRG1-0250-PFV	208/230-1	9.4	9.0	14.3	7.5	7.5	3/8	3/4	MO	55	51
SHM2-0275-PFV	208/230-1			14.9	7.5	4.8	3/8	5/8	MO		
SRM4-0275-PFV	208/230-1			14.9	7.5	4.8	3/8	5/8	MO		
SEM1-0275-PFV	208/230-1			14.9	7.5	4.8	3/8	5/8	MO		
YEJ1-0275-PFV	208/230-1	11.7	9.3	14.8	7.5	7.5	1/2	7/8	MO		
YHJ1-0275-PFV	208/230-1	11.7	9.3	14.8	7.5	7.5	1/2	7/8	MO		
SRK5-0250-PFV	208/230-1			14.7	8.0	4.8	3/8	5/8	MO		
AVA5532EXN	208/230-1										
AH34X13											
AH5533E				13.9	7.5	7.5	3/8	3/4			
AH5534E				13.9	7.5	7.5	3/8	3/4			
AH8538E				14.5	7.5	7.5	3/8	3/4			
AW5532				12.8	7.5	7.5	3/8	3/4			
H29B32UABC*	208/230-1			14.6			3/8	5/8		35	32
H29B33UABC*	208/230-1			14.6			3/8	5/8		35	32
H27B32QCBC*	208/230-1			15.3			1/2	3/4		35	32
H25B32QABC*	208/230-1			14.8			3/8	3/4		35	32
H23B323ABC*	208/230-1			13.8			3/8	5/8		40	37
H23B32QABC*	208/230-1			13.8			3/8	5/8		40	37
H23B32SABC*	208/230-1			14.3			3/8	5/8		40	37
H23B33SABC*	208/230-1			14.8			3/8	5/8		40	37
H27A32QCBC*	208/230-1			16.5			5/8	7/8		65	62
H25A32QCBC*	208/230-1			16.2			1/2	7/8		65	62
H23A323ABC*	208/230-1			14.7			3/8	3/4		50	47

Compressor Data

“CR” Compressors

Model	R22					R502					
	App	RLA	BTUH	Watts	Amps	App	RLA	BTUH	Watts	Amps	
CR33KQ-PFV	AC	16.0	32700	3270	14.8	MT*					
	HT	16.0	30185	3259	14.8						
<i>H21A313ABC*</i>	AC	10.0	31600	3160							
<i>H20A343*</i>	AC		33300								
<i>H2EA333*</i>	AC		31360								
<i>E340</i>	AC		32720								
<i>J*33</i>	AC		31400								
<i>M*34</i>	AC		33000								
<i>MT32JF</i>	AC		32770								
<i>CT 3</i>	AC		31940								
<i>B*343*</i>	AC		32794								
<i>G*343*</i>	AC		32913								
CR33KQ-TF5	AC	10.6	32000	3200	9.3		MT*				
	HT	10.6	29500	3190	9.3						
CRG3-0250-TF5	AC	12.0	32100	3120	9.1	MT*					
	HT	12.0	29700	3130	9.1						
CR32K6-TF5	AC	10.0	31900	2910	9.1						
<i>H29B32UDBL*</i>	AC	9.0	31900	2950							
<i>H29B33UDBL*</i>	AC	9.5	32800	3040							
<i>H25B32QDBL*</i>	AC	8.8	32000	2910							
<i>H23B323DBL*</i>	AC	9.6	32000	3250							
<i>H23B32QDBL*</i>	AC	9.6	31500	3300							
<i>H27A32QDBL*</i>	AC	8.8	31500	2670							
<i>H26A32QDBL*</i>	AC	8.5	31200	2696							
<i>H25A32QDBL*</i>	AC	8.8	32000	2775							
<i>H23A323DBL*</i>	AC	9.3	31700	3060							
<i>H21A313DBL*</i>	AC	9.3	31600	3160							
CR33KQ-TFD	AC	4.7	32000	3100	4.5	MT*					
	HT	4.7	29600	3090	4.5						
CRG3-0250-TFD	AC	5.6	32100	3120	4.6	MT*					
	HT	5.6	29700	3130	4.6						
CR32K6-TFD	AC	5.1	31900	2910	4.6						
<i>H29B32UDBE*</i>	AC	9.0	31900	2950							
<i>H29B33UDBE*</i>	AC	9.5	32800	3040							
<i>H25B32QDBE*</i>	AC	8.8	32000	2910							
<i>H23B323DBE*</i>	AC	9.6	32000	3250							
<i>H23B32QDBE*</i>	AC	9.6	31500	3300							
<i>H27A32QDBE*</i>	AC	8.8	31500	2670							
<i>H26A32QDBE*</i>	AC	8.5	31200	2696							
<i>H25A32QDBE*</i>	AC	8.8	32000	2775							
<i>H23A323DBE*</i>	AC	9.3	31700	3060							
<i>H21A313DBE*</i>	AC	9.3	31600	3160							

Compressor Data

Model	Volts/ Phase	Dimensions (inches)			Mounting (inches)		Connections (inches)		Oil Type	Oil Charge (ounces)	
		L	W	H	L	W	Disch	Suct		Initial	Recharge
CR33KQ-PFV	208/230-1	9.3	9.3	13.5	7.5	7.5	3/8	3/4	MO		
<i>H21A313ABC*</i>	208/230-1			14.7			3/8	5/8		50	47
<i>H20A343*</i>				14.6	7.5	7.5	3/8	3/4			
<i>H2EA333*</i>				14.6	7.5	7.5	3/8	3/4			
<i>E340</i>				13.6	7.5	7.5	3/8	5/8			
<i>J*33</i>				13.3	7.5	7.5	3/8	5/8			
<i>M*34</i>				14.3	7.5	7.5	3/8	5/8			
<i>MT32JF</i>				13.5							
<i>CT 3</i>				14.5							
<i>B*343*</i>				14.3	8.3	7.5					
<i>G*343*</i>				14.5	10.6	8.8					
CR33KQ-TF5	200/230-3	9.3	9.3	14.1	7.5	7.5	3/8	3/4	MO		
200/230-3											
CRG3-0250-TF5	200/230-3	9.4	9.0	14.3	7.5	7.5	3/8	3/4	MO	55	51
	200/230-3										
CR32K6-TF5	200/230-3	10.3	9.1	13.8	7.5	7.5	1/2	3/4	MO	45	43
<i>H29B32UDBL*</i>	200/230-3			14.6			3/8	5/8		35	32
<i>H29B33UDBL*</i>	200/230-3			14.6			3/8	5/8		35	32
<i>H25B32QDBL*</i>	200/230-3			14.8			3/8	3/4		35	32
<i>H23B323DBL*</i>	200/230-3			14.3			3/8	5/8		40	37
<i>H23B32QDBL*</i>	200/230-3			14.3			3/8	5/8		40	37
<i>H27A32QDBL*</i>	200/230-3			16.5			5/8	7/8		65	62
<i>H26A32QDBL*</i>	200/230-3			16.7			1/2	7/8		65	62
<i>H25A32QDBL*</i>	200/230-3			16.2			1/2	7/8		65	62
<i>H23A323DBL*</i>	200/230-3			14.7			3/8	3/4		50	47
<i>H21A313DBL*</i>	200/230-3			14.7			3/8	3/4		50	47
CR33KQ-TFD	460-3	9.3	9.3	14.1	7.5	7.5	3/8	3/4	MO		
460-3											
CRG3-0250-TFD	460-3	9.4	9.0	14.3	7.5	7.5	3/8	3/4	MO	55	51
	460-3										
CR32K6-TFD	460-3	10.3	9.1	13.8	7.5	7.5	1/2	3/4	MO	45	43
<i>H29B32UDBE*</i>	460-3			14.6			3/8	5/8		35	32
<i>H29B33UDBE*</i>	460-3			14.6			3/8	5/8		35	32
<i>H25B32QDBE*</i>	460-3			14.8			3/8	3/4		35	32
<i>H23B323DBE*</i>	460-3			14.3			3/8	5/8		40	37
<i>H23B32QDBE*</i>	460-3			14.3			3/8	5/8		40	37
<i>H27A32QDBE*</i>	460-3			16.5			5/8	7/8		65	62
<i>H26A32QDBE*</i>	460-3			16.7			1/2	7/8		65	62
<i>H25A32QDBE*</i>	460-3			16.2			1/2	7/8		65	62
<i>H23A323DBE*</i>	460-3			14.7			3/8	3/4		50	47
<i>H21A313DBE*</i>	460-3			14.7			3/8	3/4		50	47

Compressor Data

“CR” Compressors

Model	R22					R502				
	App	RLA	BTUH	Watts	Amps	App	RLA	BTUH	Watts	Amps
CR34KQ-PFV	AC	16.7	34000	3370	15.3	MT*				
	HT	16.7	31000	3270	15.3					
CRH3-0275-PFV	AC	19.9	34700	3420	15.6					
	HT	19.9	32100	3420	15.6	MT*				
CR34K6-PFV	AC	16.1	34500	3160	14.6					
CR34KF-PFV	AC	16.6	34100	3160	14.5					
<i>CRH1-0275-PFV</i>	AC		33700			MT	19.9	20900	2940	13.8
<i>AHA4531EXD</i>	AC	16.5	31000	3500						
<i>AH8539E</i>	AC		34000							
<i>AH8543E</i>	AC		35600							
<i>AV5535E</i>	AC		34170							
<i>JE300</i>	AC		33980							
<i>H27B35QCBC*</i>	AC	13.9	34900	3080						
<i>H23B35SABC*</i>	AC	15.5	34800	3380						
<i>H25A35QCBC*</i>	AC	13.6	34900	3060						
<i>H23A353ABC*</i>	AC	15.9	34600	3440						
<i>H23A35QABC*</i>	AC	16.3	34450	3460						
<i>H21A343ABC*</i>	AC	16.8	34700	3490						
<i>H20C343ABC*</i>	AC	16.7	33700	3080						
<i>H20A353*</i>	AC		34080							
<i>H22A353*</i>	AC		33980							
<i>H2EA363*</i>	AC		35240							
<i>E360</i>	AC		34950							
<i>YCH830TA</i>	AC		35440							
<i>2532</i>	AC		34490							
<i>J*36</i>	AC		34000							
<i>M*35</i>	AC		35000							
<i>2A034A</i>	AC		34400							
<i>2B034A</i>	AC		34400							
<i>CT 36*</i>	AC		34000							
<i>F*373*</i>	AC		34819							
<i>J*3</i>	AC		35300							
<i>G*373*</i>	AC		35430							
CR34KQ-TF5	AC	11.8	33900	3350	9.7	MT*				
	HT	11.8	31400	3360	9.7					
CRH3-0275-TF5	AC	12.5	34500	3400	9.8					
	HT	12.5	31900	3400	9.9	MT*				
<i>AHA4531EXF</i>	AC	9.8	31000	3250						
<i>H29B35UDBL*</i>	AC	9.6	34200	3230						
<i>H25B35QDBL*</i>	AC	9.2	34300	3120						
<i>H23B35QDBL*</i>	AC	9.8	32500	3400						
<i>H25A35QDBL*</i>	AC	9.6	34900	3025						
<i>H23A353DBL*</i>	AC	10.5	34900	3390						
<i>H23A35QDBL*</i>	AC	9.8	34450	3350						
<i>H21A343DBL*</i>	AC	10.5	34700	3740						
<i>H20C343DBL*</i>	AC	10.6	33700	3030						

Compressor Data

Model	Volts/ Phase	Dimensions (inches)			Mounting (inches)		Connections (inches)		Oil Type	Oil Charge (ounces)	
		L	W	H	L	W	Disch	Suct		Initial	Recharge
CR34KQ-PFV	208/230-1	9.3	9.3	13.8	7.5	7.5	3/8	3/4	MO		
CRH3-0275-PFV	208/230-1	9.4	9.0	14.6	7.5	7.5	3/8	3/4	MO	55	51
CR34K6-PFV	208/230-1	10.3	9.1	14.1	7.5	7.5	1/2	3/4	MO	45	43
CR34KF-PFV	208/230-1	9.3	9.3	14.0	7.5	7.5	3/8	3/4	MO	40	38
CRH1-0275-PFV	208/230-1	9.4	9.0	14.6	7.5	7.5	3/8	3/4	MO	55	51
AHA4531EXD	208/230-1						3/8	3/4		45	
AH8539E				14.5	7.5	7.5	3/8	3/4			
AH8543E				14.5	7.5	7.5	3/8	7/8			
AV5535E				14.0	7.5	7.5	3/8	3/4			
JE300											
H27B35QCBC*	208/230-1			15.3			1/2	3/4		35	32
H23B35SABC*	208/230-1			14.8			3/8	5/8		40	37
H25A35QCBC*	208/230-1			16.2			1/2	7/8		65	62
H23A353ABC*	208/230-1			14.7			3/8	3/4		50	47
H23A35QABC*	208/230-1			15.0			3/8	3/4		50	47
H21A343ABC*	208/230-1			14.7			3/8	3/4		50	47
H20C343ABC*	208/230-1			16.3			1/2	3/4		36	34
H20A353*				14.6	7.5	7.5	3/8	3/4			
H22A353*				14.6	7.5	7.5	3/8	3/4			
H2EA363*				14.6	7.5	7.5	3/8	3/4			
E360				14.3	7.5	7.5	3/8	3/4			
YCH830TA											
2532											
J*36				13.3	7.5	7.5	3/8	5/8			
M*35				14.3	7.5	7.5	3/8	5/8			
2A034A				17.4	7.5	7.5	1/2	7/8			
2B034A											
CT 36*				16.2	10.6	8.8					
F*373*				15.7	10.6	8.8					
J*3											
G*373*				15.7	10.6	8.8					
CR34KQ-TF5	200/230-3	9.3	9.3	14.4	7.5	7.5	3/8	3/4	MO		
CRH3-0275-TF5	200/230-3	9.4	9.0	14.6	7.5	7.5	3/8	3/4	MO	55	51
AHA4531EXF	200/230-3						3/8	3/4		45	
H29B35UDBL*	208/230-3			14.6			3/8	5/8		35	32
H25B35QDBL*	208/230-3			15.0			3/8	3/4		40	37
H23B35QDBL*	208/230-3			14.3			3/8	5/8		40	37
H25A35QDBL*	208/230-3			16.2			1/2	7/8		65	62
H23A353DBL*	208/230-3			14.7			3/8	3/4		50	47
H23A35QDBL*	208/230-3			15.0			3/8	3/4		50	47
H21A343DBL*	208/230-3			14.7			3/8	3/4		50	47
H20C343DBL*	208/230-3			15.4			1/2	3/4		36	34

Compressor Data

“CR” Compressors

Model	R22					R502				
	App	RLA	BTUH	Watts	Amps	App	RLA	BTUH	Watts	Amps
CR34KQ-TFD	AC	5.4	33500	3350	4.8	MT*				
	HT	5.4	30700	3370	4.8					
CRH3-0275-TFD	AC	5.8	34500	3400	4.9					
	HT	5.8	31900	3400	4.9	MT*				
<i>H29B35UDBE*</i>	AC	9.6	34200	3230						
<i>H25B35QDBE*</i>	AC	9.2	34300	3120						
<i>H23B35QDBE*</i>	AC	9.8	32500	3400						
<i>H25A35QDBE*</i>	AC	9.6	34900	3025						
<i>H23A353DBE*</i>	AC	10.5	34900	3390						
<i>H23A35QDBE*</i>	AC	9.8	34450	3350						
<i>H21A343DBE*</i>	AC	10.5	34700	3740						
<i>H20C343DBE*</i>	AC	10.6	33700	3030						
CR36KQ-PFV	AC	17.6	36300	3600	16.8	MT*				
	HT	17.6	33508	3582	16.8					
CR13-0290-PFV	AC	21.0	36500	3510	15.6					
CR35K6-PFV	AC	18.0	35000	3230	15.4					
CR35KF-PFV	AC	18.0	35500	3320	16.1					
<i>CRJ1-0300-PFV</i>	AC		36800			MT	22.5	22800	3150	15.0
<i>AVA5535EXN</i>	AC		35200							
<i>H29B35UABC*</i>	AC	14.4	35330	3230						
<i>H25B35QABC*</i>	AC	14.2	34700	3165						
<i>H27A35QCBC*</i>	AC	13.2	35200	2960						
<i>H26A35QCBC*</i>	AC	13.6	35000	3021						
CR36KQ-TF5	AC	12.4	35200	3450	10.0	MT*				
	HT	12.4	32500	3460	10.0					
CR13-0290-TF5	AC	14.7	36500	3470	9.9					
CR35K6-TF5	AC	11.4	34900	3160	9.6					
<i>AVA5535EXT</i>	AC		35200							
<i>H27A35QDBL*</i>	AC	9.2	35200	2960						
<i>H26A35QDBL*</i>	AC	9.7	35000	3021						
CR36KQ-TFD	AC	5.5	35700	3500	5.0	MT*				
	HT	5.5	33100	3500	5.0					
CR13-0290-TFD	AC	7.1	36500	3470	5.0					
CR35K6-TFD	AC	4.8	34900	3160	4.8					
<i>H27A35QDBE*</i>	AC	9.2	35200	2960						
<i>H26A35QDBE*</i>	AC	9.7	35000	3021						

Compressor Data

Model	Volts/ Phase	Dimensions (inches)			Mounting (inches)		Connections (inches)		Oil Type	Oil Charge (ounces)	
		L	W	H	L	W	Disch	Suct		Initial	Recharge
CR34KQ-TFD	460-3	9.3	9.3	14.1	7.5	7.5	3/8	3/4	MO		
	460-3										
CRH3-0275-TFD	460-3	9.4	9.0	14.6	7.5	7.5	3/8	3/4	MO	55	51
	460-3										
<i>H29B35UDBE*</i>	460-3			14.6			3/8	5/8		35	32
<i>H25B35QDBE*</i>	460-3			15.0			3/8	3/4		40	37
<i>H23B35QDBE*</i>	460-3			14.3			3/8	5/8		40	37
<i>H25A35QDBE*</i>	460-3			16.2			1/2	7/8		65	62
<i>H23A353DBE*</i>	460-3			14.7			3/8	3/4		50	47
<i>H23A35QDBE*</i>	460-3			15.0			3/8	3/4		50	47
<i>H21A343DBE*</i>	460-3			14.7			3/8	3/4		50	47
<i>H20C343DBE*</i>	460-3			15.4			1/2	3/4		36	34
CR36KQ-PFV	208/230-1	9.3	9.3	13.9	7.5	7.5	3/8	3/4	MO		
	208/230-1										
CRI3-0290-PFV	208/230-1	9.4	9.0	14.8	7.5	7.5	3/8	3/4	MO	55	51
CR35K6-PFV	208/230-1	10.3	9.1	14.1	7.5	7.5	1/2	3/4	MO	45	43
CR35KF-PFV	208/230-1	9.3	9.3	14.0	7.5	7.5	3/8	3/4	MO	40	38
<i>CRJ1-0300-PFV</i>	208/230-1	9.4	9.0	14.2	7.5	7.5	3/8	3/4	MO	55	51
<i>AVA5535EXN</i>	208/230-1										
<i>H29B35UABC*</i>	208/230-1			14.6			3/8	5/8		35	32
<i>H25B35QABC*</i>	208/230-1			15.0			3/8	3/4		40	37
<i>H27A35QCBC*</i>	208/230-1			16.5			5/8	7/8		65	62
<i>H26A35QCBC*</i>	208/230-1			16.7			1/2	7/8		65	62
CR36KQ-TF5	200/230-3	9.3	9.3	14.6	7.5	7.5	3/8	3/4	MO		
	200/230-3										
CRI3-0290-TF5	200/230-3	9.4	9.0	14.8	7.5	7.5	3/8	3/4	MO	55	51
CR35K6-TF5	200/230-3	10.3	9.1	14.1	7.5	7.5	1/2	3/4	MO	45	43
<i>AVA5535EXT</i>	208/230-3										
<i>H27A35QDBL*</i>	200/230-3			16.5			5/8	7/8		65	62
<i>H26A35QDBL*</i>	200/230-3			16.7			1/2	7/8		65	62
CR36KQ-TFD	460-3	9.3	9.3	14.6	7.5	7.5	3/8	3/4	MO		
	460-3										
CRI3-0290-TFD	460-3	9.4	9.0	14.8	7.5	7.5	3/8	3/4	MO	55	51
CR35K6-TFD	460-3	10.3	9.1	14.1	7.5	7.5	1/2	3/4	MO	45	43
<i>H27A35QDBE*</i>	460-3			16.5			5/8	7/8		65	62
<i>H26A35QDBE*</i>	460-3			16.7			1/2	7/8		65	62

Compressor Data

“CR” Compressors

Model	R22					R502				
	App	RLA	BTUH	Watts	Amps	App	RLA	BTUH	Watts	Amps
CR37KQ-PFV	AC	18.5	36800	3640	17.4	MT*				
	HT	18.5	33969	3631	17.4					
CRJ3-0300-PFV	AC	22.5	37900	3740	17.1	MT*				
	HT	22.5	35100	3740	17.2					
CR38K6-PFV	AC	19.0	38200	3520	17.2					
AVA5538EXN	AC		38400							
AH40X15	AC		38830							
AH5540E	AC		38830							
AV5538E	AC		37250							
C5540E	AC		38830							
CL31Y14	AC		36890							
CL32ZA14	AC		38830							
CL5538E	AC		36890							
PJE300	AC		36410							
H27A38QCBC*	AC	14.7	38400	3230						
H26A38QCBC*	AC	14.4	38200	3260						
H25A38QCBC*	AC	14.7	37900	3315						
H23A383ABC*	AC	17.0	37900	3690						
H23A36QABC*	AC	17.5	37750	3780						
H21A373ABC*	AC	18.3	37400	3740						
H20C373ABC*	AC	18.0	36700	3350						
H20A403*	AC		38830							
H22A383*	AC		36890							
H7283E	AC		36890							
C375	AC		36410							
E400	AC		38830							
YCH860TA	AC		36410							
YH860TA	AC		36410							
J*39	AC		37300							
M*40	AC		38300							
R*39*	AC		38650							
2B038A	AC		38500							
MT36JG	AC		37550							
G*393*	AC		37543							
B*393*	AC		37650							
F*393*	AC		37839							
CT 40*	AC		38500							
CR37KQ-TF5	AC	11.1	36400	3500	10.2	MT*				
	HT	11.1	33600	3400	10.2					
CRJ3-0300-TF5	AC	14.3	37700	3690	10.8	MT*				
	HT	14.3	34900	3690	10.8					
CR38K6-TF5	AC	11.9	37900	3440	10.5					
AVA5538EXT	AC		38400							
H27A38QDBL*	AC	10.1	38400	3200						
H26A38QDBL*	AC	10.2	38200	3260						

Compressor Data

Model	Volts/ Phase	Dimensions (inches)			Mounting (inches)		Connections (inches)		Oil Type	Oil Charge (ounces)	
		L	W	H	L	W	Disch	Suct		Initial	Recharge
CR37KQ-PFV	208/230-1	9.3	9.3	14.0	7.5	7.5	3/8	3/4	MO		
CRJ3-0300-PFV	208/230-1	9.4	9.0	14.8	7.5	7.5	3/8	3/4	MO	55	51
CR38K6-PFV	208/230-1	10.3	9.1	14.3	7.5	7.5	1/2	3/4	MO	45	43
AVA5538EXN	208/230-1										
AH40X15				15.0	7.5	7.5	3/8	3/4			
AH5540E				15.0	7.5	7.5	3/8	3/4			
AV5538E				14.6	7.5	7.5	1/2	7/8			
C5540E											
CL31Y14				15.4	7.5	7.5	3/8	7/8			
CL32ZA14											
CL5538E				15.4	7.5	7.5	3/8	7/8			
PJE300											
H27A38QCBC*	208/230-1			16.5			5/8	7/8		65	62
H26A38QCBC*	208/230-1			16.7			1/2	7/8		65	62
H25A38QCBC*	208/230-1			16.2			1/2	7/8		65	62
H23A383ABC*	208/230-1			14.7			3/8	3/4		50	47
H23A36QABC*	208/230-1			15.0			3/8	3/4		50	47
H21A373ABC*	208/230-1			14.7			3/8	3/4		50	47
H20C373ABC*	208/230-1			16.3			1/2	3/4		36	34
H20A403*				14.6	7.5	7.5	3/8	3/4			
H22A383*				14.6	7.5	7.5	3/8	3/4			
H7283E				14.8	7.5	7.5	3/8	3/4			
C375				16.8	7.5	7.5	1/2	7/8			
E400				14.3	7.5	7.5	3/8	3/4			
YCH860TA											
YH860TA											
J*39				13.3	7.5	7.5	3/8	3/4			
M*40				14.3	7.5	7.5	3/8	3/4			
R*39*				12.1	9.6	9.6	3/8	5/8			
2B038A											
MT36JG				13.5							
G*393*				15.7	10.6	8.8					
B*393*				14.2	8.3	7.5					
F*393*				16.7	10.6	8.8					
CT 40*				16.2							
CR37KQ-TF5	200/230-3	9.3	9.3	14.6	7.5	7.5	3/8	3/4	MO		
CRJ3-0300-TF5	200/230-3	9.4	9.0	14.8	7.5	7.5	3/8	3/4	MO	55	51
CR38K6-TF5	200/230-3	10.3	9.1	14.3	7.5	7.5	1/2	3/4	MO	45	43
AVA5538EXT	208/230-3										
H27A38QDBL*	200/230-3			16.5			5/8	7/8		65	62
H26A38QDBL*	200/230-3			16.7			1/2	7/8		65	62

Compressor Data

“CR” Compressors

Model	R22					R502				
	App	RLA	BTUH	Watts	Amps	App	RLA	BTUH	Watts	Amps
CR37KQ-TF5	AC	11.1	36400	3500	10.2	MT*				
	HT	11.1	33600	3400	10.2					
<i>H25A38QDBL*</i>	AC	10.3	37900	3285						
<i>H23A383DBL*</i>	AC	11.5	37900	3650						
<i>H23A38QDBL*</i>	AC	10.7	38000	3650						
<i>H21A373DBL*</i>	AC	11.5	37400	3740						
<i>H20C373DBL*</i>	AC	11.4	36600	3290						
CR37KQ-TFD	AC	5.6	36400	3500	5.1	MT*				
	HT	5.6	33600	3500	5.1					
CRJ3-0300-TFD	AC	6.7	37700	3690	5.4	MT*				
	HT	6.7	34900	3690	5.4					
CR38K6-TFD	AC	5.9	37900	3440	5.2					
<i>AVA5538EXG</i>	AC		38400							
<i>H27A38QDBE*</i>	AC	10.1	38400	3200						
<i>H26A38QDBE*</i>	AC	10.2	38200	3260						
<i>H25A38QDBE*</i>	AC	10.3	37900	3285						
<i>H23A383DBE*</i>	AC	11.5	37900	3650						
<i>H23A38QDBE*</i>	AC	10.7	38000	3650						
<i>H21A373DBE*</i>	AC	11.5	37400	3740						
<i>H20C373DBE*</i>	AC	11.4	36600	3290						
CR41KQ-PFV	AC	19.4	41000	4060	18.5	MT*				
	HT	19.4	37700	4000	18.4					
CRK3-0325-PFV	AC	23.9	41900	4140	18.7	MT*				
	HT	23.9	38700	4140	18.7					
CR42K6-PFV	AC	20.4	41900	3860	17.9					
<i>CRK1-0325-PFV</i>	AC		40700			MT	23.9	25200	3450	15.9
<i>YRB2-0300-PFV</i>	AC		38850							
<i>YRB4-0300-PFV</i>	AC		38850							
<i>YRB2-0301-PFV</i>	AC		38850							
<i>YRB4-0301-PFV</i>	AC		38850							
<i>YEB1-0300-PFV</i>	AC		38850							
<i>YEB1-0301-PFV</i>	AC		38850							
<i>YHB1-0300-PFV</i>	AC		38850							
<i>YHB1-0301-PFV</i>	AC		38850							
<i>YEK1-0325-PFV</i>	AC		38850							
<i>YHK1-0325-PFV</i>	AC		38850							
<i>VRB1-0300-PFV</i>	AC		38850							
<i>AHA4540EXD</i>	AC	22.5	40000	4625						
<i>AVA5542EXN</i>	AC		42500							
<i>AH8548E</i>	AC		41200							
<i>AV5542E</i>	AC		41260							
<i>CL36ZC14</i>	AC		42720							
<i>CL5544G</i>	AC		42720							

Compressor Data

Model	Volts/ Phase	Dimensions (inches)			Mounting (inches)		Connections (inches)		Oil Type	Oil Charge (ounces)	
		L	W	H	L	W	Disch	Suct		Initial	Recharge
CR37KQ-TF5	200/230-3	9.3	9.3	14.6	7.5	7.5	3/8	3/4	MO		
	200/230-3										
<i>H25A38QDBL*</i>	200/230-3			16.2			1/2	7/8		65	62
<i>H23A383DBL*</i>	200/230-3			14.7			3/8	3/4		50	47
<i>H23A38QDBL*</i>	200/230-3			15.0			3/8	3/4		50	47
<i>H21A373DBL*</i>	200/230-3			14.7			3/8	3/4		50	47
<i>H20C373DBL*</i>	200/230-3			15.4			1/2	3/4		36	34
CR37KQ-TFD	460-3	9.3	9.3	14.6	7.5	7.5	3/8	3/4	MO		
	460-3										
CRJ3-0300-TFD	460-3	9.4	9.0	14.8	7.5	7.5	3/8	3/4	MO	55	51
	460-3										
CR38K6-TFD	460-3	10.3	9.1	14.3	7.5	7.5	1/2	3/4	MO	45	43
<i>AVA5538EXG</i>	460-3										
<i>H27A38QDBE*</i>	460-3			16.5			5/8	7/8		65	62
<i>H26A38QDBE*</i>	460-3			16.7			1/2	7/8		65	62
<i>H25A38QDBE*</i>	460-3			16.2			1/2	7/8		65	62
<i>H23A383DBE*</i>	460-3			14.7			3/8	3/4		50	47
<i>H23A38QDBE*</i>	460-3			15.0			3/8	3/4		50	47
<i>H21A373DBE*</i>	460-3			14.7			3/8	3/4		50	47
<i>H20C373DBE*</i>	460-3			15.4			1/2	3/4		36	34
CR41KQ-PFV	208/230-1	9.3	9.3	14.3	7.5	7.5	3/8	3/4	MO		
	208/230-1										
CRK3-0325-PFV	208/230-1	9.3	9.0	15.1	7.5	7.5	3/8	3/4	MO	55	51
	208/230-1										
CR42K6-PFV	208/230-1	10.3	9.1	14.6	7.5	7.5	1/2	3/4	MO	45	43
<i>CRK1-0325-PFV</i>	208/230-1	9.3	9.0	15.1	7.5	7.5	3/8	3/4	MO	55	51
<i>YRB2-0300-PFV</i>	208/230-1	12.3	9.3	15.1	7.5	7.5	3/8	3/4	MO		
<i>YRB4-0300-PFV</i>	208/230-1	11.7	9.3	15.1	7.5	7.5	3/8	3/4	MO		
<i>YRB2-0301-PFV</i>	208/230-1	12.3	9.3	15.1	7.5	7.5	3/8	3/4	MO		
<i>YRB4-0301-PFV</i>	208/230-1	11.7	9.3	15.1	7.5	7.5	3/8	3/4	MO		
<i>YEB1-0300-PFV</i>	208/230-1	11.7	9.3	15.3	7.5	7.5	3/8	3/4	MO		
<i>YEB1-0301-PFV</i>	208/230-1	11.7	9.3	15.3	7.5	7.5	3/8	3/4	MO		
<i>YHB1-0300-PFV</i>	208/230-1	11.7	9.3	15.3	7.5	7.5	3/8	3/4	MO		
<i>YHB1-0301-PFV</i>	208/230-1	11.7	9.3	15.3	7.5	7.5	3/8	3/4	MO		
<i>YEK1-0325-PFV</i>	208/230-1	11.7	9.3	15.3	7.5	7.5	1/2	7/8	MO		
<i>YHK1-0325-PFV</i>	208/230-1	11.7	9.3	15.3	7.5	7.5	1/2	7/8	MO		
<i>VRB1-0300-PFV</i>	208/230-1	14.3	13.1	15.0	7.5	7.5	3/8	7/8	MO		
<i>AHA4540EXD</i>	208/230-1						3/8	3/4		45	
<i>AVA5542EXN</i>	208/230-1										
<i>AH8548E</i>				14.5	7.5	7.5	3/8	7/8			
<i>AV5542E</i>				14.0	7.5	7.5	1/2	7/8			
<i>CL36ZC14</i>				16.3	7.5	7.5	1/2	7/8			
<i>CL5544G</i>											

Compressor Data

“CR” Compressors

Model	R22					R502					
	App	RLA	BTUH	Watts	Amps	App	RLA	BTUH	Watts	Amps	
CR41KQ-PFV	AC	19.4	41000	4060	18.5	MT*					
	HT	19.4	37700	4000	18.4						
<i>H27A42QCBC*</i>	AC	15.4	42600	3550							
<i>H26A42QCBC*</i>	AC	15.8	41500	3554							
<i>H25A42QCBC*</i>	AC	16.4	41800	3655							
<i>H24A383ABC*</i>	AC	16.0	39000	3610							
<i>H24A423ABC*</i>	AC	18.0	43000	3950							
<i>H23A423ABC*</i>	AC	18.7	42100	4060							
<i>H23A42QABC*</i>	AC	19.7	42270	4225							
<i>H21A413ABC*</i>	AC	19.3	41200	4120							
<i>H20C403ABC*</i>	AC	19.9	39700	3520							
<i>H20C423ABC*</i>	AC	20.5	41700	3800							
<i>H20C453*</i>	AC		43690								
<i>H22A423*</i>	AC		40780								
<i>H2EA413*</i>	AC		40100								
<i>C435</i>	AC		42230								
<i>YCH932TA</i>	AC		40970								
<i>YCH983TA</i>	AC		42230								
<i>YH983TA</i>	AC		42230								
<i>2536</i>	AC		40290								
<i>2539</i>	AC		42040								
<i>3003-3E03</i>	AC		39170								
<i>J*42</i>	AC		40500								
<i>J*45</i>	AC		42800								
<i>M*42</i>	AC		46000								
<i>P*46</i>	AC		43500								
<i>PY4666</i>	AC		41800								
<i>2A040A</i>	AC		40500								
<i>2B040A</i>	AC		40500								
<i>MT40JH</i>	AC		42540								
CR41KQ-TF5	AC	13.1	40600	3980	11.5		MT*				
	HT	13.1	37400	3960	11.5						
<i>CRK3-0325-TF5</i>	AC	15.3	41600	4080	11.7		MT*				
	HT	15.3	38500	4080	11.7						
<i>CR42K6-TF5</i>	AC	14.0	41700	3810	11.6						
<i>AHA4540EXF</i>	AC	12.5	40000	4375							
<i>AVA5542EXT</i>	AC		42500								
<i>H27A42QDBL*</i>	AC	11.2	42600	3550							
<i>H26A42QDBL*</i>	AC	11.3	41500	3554							
<i>H25A42QDBL*</i>	AC	11.9	41800	3620							
<i>H24A383DBL*</i>	AC	11.0	39000	3490							
<i>H24A423DBL*</i>	AC	11.4	43000	3900							
<i>H23A423DBL*</i>	AC	11.7	42100	4040							
<i>H23A42QDBL*</i>	AC	11.7	42300	4090							
<i>H21A413DBL*</i>	AC	11.7	41200	4120							
<i>H20C403DBL*</i>	AC	12.4	39600	3560							
<i>H20C423DBL*</i>	AC	12.4	41300	3650							

Compressor Data

Model	Volts/ Phase	Dimensions (inches)			Mounting (inches)		Connections (inches)		Oil Type	Oil Charge (ounces)	
		L	W	H	L	W	Disch	Suct		Initial	Recharge
CR41KQ-PFV	208/230-1	9.3	9.3	14.3	7.5	7.5	3/8	3/4	MO		
	208/230-1										
<i>H27A42QCBC*</i>	208/230-1			17.7			5/8	7/8		65	62
<i>H26A42QCBC*</i>	208/230-1			16.7			1/2	7/8		65	62
<i>H25A42QCBC*</i>	208/230-1			17.4			1/2	7/8		65	62
<i>H24A383ABC*</i>	208/230-1			16.2			3/8	3/4		50	47
<i>H24A423ABC*</i>	208/230-1			16.2			3/8	3/4		50	47
<i>H23A423ABC*</i>	208/230-1			14.7			3/8	3/4		50	47
<i>H23A42QABC*</i>	208/230-1			15.0			3/8	3/4		50	47
<i>H21A413ABC*</i>	208/230-1			14.7			3/8	3/4		50	47
<i>H20C403ABC*</i>	208/230-1			16.3			1/2	3/4		36	34
<i>H20C423ABC*</i>	208/230-1			16.3			1/2	3/4		36	34
<i>H20C453*</i>				16.9	7.5	7.5	1/2	7/8			
<i>H22A423*</i>				14.6	7.5	7.5	3/8	3/4			
<i>H2EA413*</i>				15.6	7.5	7.5	3/8	3/4			
<i>C435</i>				16.8	7.5	7.5	1/2	7/8			
<i>YCH932TA</i>											
<i>YCH983TA</i>											
<i>YH983TA</i>											
<i>2536</i>											
<i>2539</i>											
<i>3003-3E03</i>				15.9	7.5	7.5	1/2	3/4			
<i>J*42</i>				13.3	7.5	7.5	3/8	3/4			
<i>J*45</i>				13.3	7.5	7.5	3/8	3/4			
<i>M*42</i>				14.3	7.5	7.5	3/8	3/4			
<i>P*46</i>				16.2	10.6	10.6	1/2	7/8			
<i>PY4666</i>				16.2	10.6	10.6	1/2	7/8			
<i>2A040A</i>				17.4	7.5	7.5	1/2	7/8			
<i>2B040A</i>											
<i>MT40JH</i>				13.5							
CR41KQ-TF5	200/230-3	9.3	9.3	14.9	7.5	7.5	3/8	3/4	MO		
	200/230-3										
<i>CRK3-0325-TF5</i>	200/230-3	9.4	9.0	15.1	7.5	7.5	3/8	3/4	MO	55	51
	200/230-3										
<i>CR42K6-TF5</i>	208/230-3	10.3	9.1	14.6	7.5	7.5	1/2	3/4	MO	45	43
<i>AHA4540EXF</i>	208/230-3						3/8	3/4		45	
<i>AVA5542EXT</i>	208/230-3										
<i>H27A42QDBL*</i>	208/230-3			17.7			5/8	7/8		65	62
<i>H26A42QDBL*</i>	208/230-3			16.7			1/2	7/8		65	62
<i>H25A42QDBL*</i>	208/230-3			16.2			1/2	7/8		65	62
<i>H24A383DBL*</i>	208/230-3			16.2			3/8	3/4		50	47
<i>H24A423DBL*</i>	208/230-3			16.2			3/8	3/4		50	47
<i>H23A423DBL*</i>	208/230-3			15.3			3/8	3/4		50	47
<i>H23A42QDBL*</i>	208/230-3			15.0			3/8	3/4		50	47
<i>H21A413DBL*</i>	208/230-3			14.7			3/8	3/4		50	47
<i>H20C403DBL*</i>	208/230-3			15.4			1/2	3/4		36	34
<i>H20C423DBL*</i>	208/230-3			15.4			1/2	3/4		36	34

Compressor Data

“CR” Compressors

Model	R22					R502				
	App	RLA	BTUH	Watts	Amps	App	RLA	BTUH	Watts	Amps
CR41KQ-TFD	AC	5.9	40800	3960	5.8	MT*				
	HT	5.9	37800	3970	5.8					
CRK3-0325-TFD	AC	7.7	41600	4080	5.9					
	HT	7.7	38500	4080	5.9	MT*				
CR42K6-TFD	AC	6.4	41700	3810	5.8					
AVA5542EXG	AC		42500							
H27A42QDBE*	AC	11.2	42600	3550						
H26A42QDBE*	AC	11.3	41500	3554						
H25A42QDBE*	AC	11.9	41800	3620						
H24A383DBE*	AC	11.0	39000	3490						
H24A423DBE*	AC	11.4	43000	3900						
H23A423DBE*	AC	11.7	42100	4040						
H23A42QDBE*	AC	11.7	42300	4090						
H21A413DBE*	AC	11.7	41200	4120						
H20C403DBE*	AC	12.4	39600	3560						
H20C423DBE*	AC	12.4	41300	3650						
CR47KQ-PFV	AC	24.6	47500	5480	21.5					
	HT									
CRL3-0350-PFV	AC	26.5	47400	4630	20.7					
	HT	26.5	43900	4630	20.7	MT*				
CRL1-0350-PFV			46300			MT				
YRC2-0350-PFV			44650				26.5	28000	3750	16.6
YRC4-0350-PFV		32.0	44650	5400	25.0					
YEC1-0350-PFV		28.0	44650							
YHC1-0350-PFV		32.0	44650	6100	23.5					
VRC1-0350-PFV			44650							
YEL1-0350-PFV			45600							
YHL1-0350-PFV			45600							
YRD2-0400-PFV			49500							
YRD4-0400-PFV		33.0	49500	6900	27.6					
YRD5-0400-PFV			49500							
YHD2-0400-PFV		33.0	49500	6720	27.1					
YRC4-0350-PFB		28.0	45000	5400	25.0					
YRC4-0350-PFH		20.2	45000	5400	27.2					
AVA5546EXN	AC		46500							
AG5546E	AC		45440							
AG5546H	AC		45630							
AV5546E	AC		45150							
CL41ZA17	AC		48540							
CL5550E	AC		48540							
PFB400	AC		49510							
PFB403	AC		49510							
H27A46QCBC*	AC	17.4	46500	3910						
H27A50QCBC*	AC	18.0	49200	4170						
H26A50QCBC*	AC	18.5	48700	4207						
H25A46QCBC*	AC	18.0	46100	4030						

Compressor Data

Model	Volts/ Phase	Dimensions (inches)			Mounting (inches)		Connections (inches)		Oil Type	Oil Charge (ounces)	
		L	W	H	L	W	Disch	Suct		Initial	Recharge
CR41KQ-TFD	460-3 460-3	9.3	9.3	14.9	7.5	7.5	3/8	3/4	MO		
CRK3-0325-TFD	460-3 460-3	9.4	9.0	15.1	7.5	7.5	3/8	3/4	MO	55	51
CR42K6-TFD	460-3	10.3	9.1	14.6	7.5	7.5	1/2	3/4	MO	45	43
AVA5542EXG	460-3										
H27A42QDBE*	460-3			17.7			5/8	7/8		65	62
H26A42QDBE*	460-3			16.7			1/2	7/8		65	62
H25A42QDBE*	460-3			16.2			1/2	7/8		65	62
H24A383DBE*	460-3			16.2			3/8	3/4		50	47
H24A423DBE*	460-3			16.2			3/8	3/4		50	47
H23A423DBE*	460-3			15.3			3/8	3/4		50	47
H23A42QDBE*	460-3			15.0			3/8	3/4		50	47
H21A413DBE*	460-3			14.7			3/8	3/4		50	47
H20C403DBE*	460-3			15.4			1/2	3/4		36	34
H20C423DBE*	460-3			15.4			1/2	3/4		36	34
CR47KQ-PFV	208/230-1 208/230-1	10.4	9.1	18.8	7.5	7.5	1/2	7/8	MO	45	43
CRL3-0350-PFV	208/230-1 208/230-1	9.4	9.0	15.3	7.5	7.5	1/2	7/8	MO	55	51
CRL1-0350-PFV	208/230-1	9.7	9.3	15.3	7.5	7.5	1/2	7/8	MO	55	51
YRC2-0350-PFV	208/230-1	12.3	9.3	15.1	7.5	7.5	3/8	3/4	MO		
YRC4-0350-PFV	208/230-1	11.7	9.3	15.1	7.5	7.5	3/8	3/4	MO		
YEC1-0350-PFV	208/230-1	11.7	9.3	15.1	7.5	7.5	3/8	3/4	MO		
YHC1-0350-PFV	208/230-1	11.7	9.3	15.1	7.5	7.5	3/8	3/4	MO		
YRC1-0350-PFV	208/230-1	14.3	13.1	15.4	7.5	7.5	3/8	7/8	MO		
YEL1-0350-PFV	208/230-1	11.7	9.3	15.5	7.5	7.5	1/2	7/8	MO		
YHL1-0350-PFV	208/230-1	11.7	9.3	15.5	7.5	7.5	1/2	7/8	MO		
YRD2-0400-PFV	208/230-1	12.3	9.3	17.4	7.5	7.5	1/2	7/8	MO		
YRD4-0400-PFV	208/230-1	11.7	9.3	17.4	7.5	7.5	1/2	7/8	MO		
YRD5-0400-PFV	208/230-1	12.3	9.3	17.4	7.5	7.5	1/2	7/8	MO		
YHD2-0400-PFV	208/230-1	11.7	9.3	17.4	7.5	7.5	1/2	7/8	MO		
YRC4-0350-PFB	230-1	11.7	9.3	15.1	7.5	7.5	3/8	3/4	MO		
YRC4-0350-PFH	208-1	11.7	9.3	15.1	7.5	7.5	3/8	3/4	MO		
AVA5546EXN	208/230-1										
AG5546E				15.5	7.5	7.5	1/2	7/8			
AG5546H				15.5	7.5	7.5	1/2	7/8			
AV5546E				14.0	7.5	7.5	1/2	7/8			
CL41ZA17				16.3	7.5	7.5	1/2	7/8			
CL5550E				16.3	7.5	7.5	1/2	7/8			
PFB400											
PFB403											
H27A46QCBC*	208/230-1			17.7			5/8	7/8		65	62
H27A50QCBC*	208/230-1			17.7			5/8	7/8		65	62
H26A50QCBC*	208/230-1			18.0			1/2	7/8		65	62
H25A46QCBC*	208/230-1			17.4			1/2	7/8		65	62

Compressor Data

“CR” Compressors

Model	R22					R502				
	App	RLA	BTUH	Watts	Amps	App	RLA	BTUH	Watts	Amps
CR47KQ-PFV	AC	24.6	47500	4580	21.5					
<i>H25A50QCBC*</i>	AC	19.0	49000	4285						
<i>H23A463ABC*</i>	AC	21.6	46300	4490						
<i>H23A503ABC*</i>	AC	22.3	49000	4890						
<i>H23A46QABC*</i>	AC	21.5	46330	4675						
<i>H21A463ABC*</i>	AC	21.6	45600	4585						
<i>H20R453ABC*</i>	AC	21.8	44600	3940						
<i>H20R483ABC*</i>	AC	24.4	47500	4200						
<i>H20R513ABC*</i>	AC	24.4	50000	4420						
<i>H21R453ABC*</i>	AC	23.4	44800	3950						
<i>H21R483CBC*</i>	AC	24.4	48500	4250						
<i>H21C463*</i>	AC		45050							
<i>H2EC483*</i>	AC		46120							
<i>C510</i>	AC		49510							
<i>YCH1020TA</i>	AC		46120							
<i>YCH1132TA</i>	AC		49510							
<i>YH1132TA</i>	AC		49510							
<i>3004-3E04</i>	AC		47630							
<i>J*48</i>	AC		45800							
<i>J*51</i>	AC		48700							
<i>2A044A</i>	AC		44500							
<i>2A048A</i>	AC		48500							
<i>2B044A</i>	AC		44500							
<i>2B048A</i>	AC		48500							
<i>MT44HJ</i>	AC		44890							
<i>MT50HK</i>	AC		49930							
CR47KQ-TF5	AC	16.0	47200	4540	13.7					
	HT									
<i>CRL3-0350-TF5</i>	AC	16.8	47100	4570	13.2					
	HT	16.8	43700	4580	13.2	MT*				
<i>AVA5546EXT</i>	AC		46500							
<i>H27A46QDBL*</i>	AC	12.3	46500	3910						
<i>H27A50QDBL*</i>	AC	13.0	49200	4170						
<i>H26A46QDBL*</i>	AC	12.6	46300	3972						
<i>H26A50QDBL*</i>	AC	13.2	48700	4207						
<i>H25A46QDBL*</i>	AC	12.6	46100	3995						
<i>H25A50QDBL*</i>	AC	13.0	49000	4245						
<i>H23A463DBL*</i>	AC	12.6	46300	4430						
<i>H23A503DBL*</i>	AC	13.7	49000	4890						
<i>H23A46QDBL*</i>	AC	13.0	45160	4440						
<i>H23A50QDBL*</i>	AC	14.4	49800	4935						
<i>H21A463DBL*</i>	AC	13.6	45600	4585						
<i>H20R453DBL*</i>	AC	12.8	44600	3890						
<i>H20R483DBL*</i>	AC	14.1	46800	4150						
<i>H21R453DBL*</i>	AC	13.0	46600	3920						
<i>H21R483DBL*</i>	AC	14.1	47000	4240						
<i>H21R513DBL*</i>	AC	15.4	49600	4440						

Compressor Data

Model	Volts/ Phase	Dimensions (inches)			Mounting (inches)		Connections (inches)		Oil Type	Oil Charge (ounces)	
		L	W	H	L	W	Disch	Suct		Initial	Recharge
CR47KQ-PFV	208/230-1	10.4	9.1	18.8	7.5	7.5	1/2	7/8	MO	45	43
<i>H25A50QCBC*</i>	208/230-1			17.4			1/2	7/8		65	62
<i>H23A463ABC*</i>	208/230-1			14.7			3/8	3/4		55	52
<i>H23A503ABC*</i>	208/230-1			16.2			3/8	3/4		55	52
<i>H23A46QABC*</i>	208/230-1			15.0			3/8	3/4		50	47
<i>H21A463ABC*</i>	208/230-1			14.7			3/8	3/4		50	47
<i>H20R453ABC*</i>	208/230-1			17.7			1/2	3/4		54	52
<i>H20R483ABC*</i>	208/230-1			17.7			1/2	3/4		54	52
<i>H20R513ABC*</i>	208/230-1			17.7			1/2	3/4		54	52
<i>H21R453ABC*</i>	208/230-1			18.3			1/2	7/8		65	62
<i>H21R483CBC*</i>	208/230-1			18.3			1/2	7/8		65	62
<i>H21C463*</i>				16.9	7.5	7.5	1/2	7/8			
<i>H2EC483*</i>											
<i>C510</i>				16.8	7.5	7.5	1/2	7/8			
<i>YCH1020TA</i>											
<i>YCH1132TA</i>											
<i>YH1132TA</i>											
<i>3004-3E04</i>				16.4	7.5	7.5	1/2	3/4			
<i>J*48</i>				13.3	7.5	7.5	3/8	3/4			
<i>J*51</i>				13.3	7.5	7.5	3/8	3/4			
<i>2A044A</i>				17.4	7.5	7.5	1/2	7/8			
<i>2A048A</i>				17.4	7.5	7.5	1/2	7/8			
<i>2B044A</i>											
<i>2B048A</i>											
<i>MT44HJ</i>				15.9							
<i>MT50HK</i>				15.9							
CR47KQ-TF5	200/230-3	10.4	9.1	18.8	7.5	7.5	1/2	7/8	MO	45	43
	200/230-3										
<i>CRL3-0350-TF5</i>	200/230-3	9.4	9.0	15.3	7.5	7.5	1/2	7/8	MO	55	51
	200/230-3										
<i>AVA5546EXT</i>	208/230-3										
<i>H27A46QDBL*</i>	200/230-3			17.7			5/8	7/8		65	62
<i>H27A50QDBL*</i>	200/230-3			17.7			5/8	7/8		65	62
<i>H26A46QDBL*</i>	200/230-3			18.0			1/2	7/8		65	62
<i>H26A50QDBL*</i>	200/230-3			18.0			1/2	7/8		65	62
<i>H25A46QDBL*</i>	200/230-3			16.2			1/2	7/8		65	62
<i>H25A50QDBL*</i>	200/230-3			17.4			1/2	7/8		65	62
<i>H23A463DBL*</i>	200/230-3			15.3			3/8	3/4		55	52
<i>H23A503DBL*</i>	200/230-3			16.8			3/8	3/4		55	52
<i>H23A46QDBL*</i>	200/230-3			15.0			3/8	3/4		55	52
<i>H23A50QDBL*</i>	200/230-3			16.5			3/8	3/4		55	52
<i>H21A463DBL*</i>	200/230-3			14.7			1/2	7/8		50	47
<i>H20R453DBL*</i>	200/230-3			17.7			1/2	3/4		70	66
<i>H20R483DBL*</i>	200/230-3			17.7			1/2	3/4		70	66
<i>H21R453DBL*</i>	200/230-3			18.3			1/2	7/8		70	66
<i>H21R483DBL*</i>	200/230-3			18.3			1/2	7/8		70	66
<i>H21R513DBL*</i>	200/230-3			18.3			1/2	7/8		70	66

Compressor Data

“CR” Compressors

Model	R22					R502					
	App	RLA	BTUH	Watts	Amps	App	RLA	BTUH	Watts	Amps	
CR47KQ-TFD	AC	8.2	47200	4540	6.9						
	HT										
CRL3-0350-TFD	AC	8.2	47100	4570	6.6	MT*					
	HT	8.2	43700	4580	6.6						
<i>YRC4-0350-TFD</i>	AC	8.0	45000	5200	7.5						
<i>YRD4-0400-TFD</i>	AC	10.0	49500	5500	9.3						
<i>AVA5546EXG</i>	AC		46500								
<i>H27A46QDBE*</i>	AC	12.3	46500	3910							
<i>H27A50QDBE*</i>	AC	13.0	49200	4170							
<i>H26A46QDBE*</i>	AC	12.6	46300	3972							
<i>H26A50QDBE*</i>	AC	13.2	48700	4207							
<i>H25A46QDBE*</i>	AC	12.6	46100	3995							
<i>H25A50QDBE*</i>	AC	13.0	49000	4245							
<i>H23A463DBE*</i>	AC	12.6	46300	4430							
<i>H23A503DBE*</i>	AC	13.7	49000	4890							
<i>H23A46QDBE*</i>	AC	13.0	45160	4440							
<i>H23A50QDBE*</i>	AC	14.4	49800	4935							
<i>H21A463DBE*</i>	AC	13.6	45600	4585							
<i>H20R453DBE*</i>	AC	12.8	44600	3890							
<i>H20R483DBE*</i>	AC	14.1	46800	4150							
<i>H21R453DBE*</i>	AC	13.0	46600	3920							
<i>H21R483DBE*</i>	AC	14.1	47000	4240							
<i>H21R513DBE*</i>	AC	15.4	49600	4440							
CR53KQ-PFV	AC	29.0	53700	5270	24.0						
	HT										
CRM3-0400-PFV	AC	30.7	53200	5290	24.0	MT*					
	HT	30.7	49200	5290	24.0						
<i>CRM1-0400-PFV</i>	AC		53100				MT	30.7	32600	4270	19.3
<i>YRD6-0400-PFV</i>			51450								
<i>YHD6-0400-PFV</i>			51450								
<i>YRF2-0450-PFV</i>			52400								
<i>VRD1-0400-PFV</i>			52450								
<i>AGA5553EXN</i>	AC		54000								
<i>AG5553E</i>	AC		52430								
<i>AG5553H</i>	AC		52430								
<i>H27A54QCBC*</i>	AC	20.3	53500	4570							
<i>H25A54QCBC*</i>	AC	20.7	53500	4675							
<i>H23A543ABC*</i>	AC	24.4	53400	5360							
<i>H23A50QABC*</i>	AC	22.8	50700	5050							
<i>H20C523*</i>	AC		50490								
<i>H21C533*</i>	AC		51650								
<i>H22C563*</i>	AC		54370								
<i>P*50</i>	AC		48800								
<i>P*53</i>	AC		50400								
<i>R*54</i>	AC		52300								

Compressor Data

Model	Volts/ Phase	Dimensions (inches)			Mounting (inches)		Connections (inches)		Oil Type	Oil Charge (ounces)	
		L	W	H	L	W	Disch	Suct		Initial	Recharge
CR47KQ-TFD	460-3	10.4	9.1	18.8	7.5	7.5	1/2	7/8	MO	45	43
	460-3										
CRL3-0350-TFD	460-3	9.4	9.0	15.3	7.5	7.5	1/2	7/8	MO	55	51
	460-3										
YRC4-0350-TFD	460-3	11.7	9.3	15.1	7.5	7.5	3/8	3/4	MO		
YRD4-0400-TFD	460-3	11.7	9.3	17.4	7.5	7.5	1/2	7/8	MO		
AVA5546EXG	460-3										
H27A46QDBE*	460-3			17.7			5/8	7/8		65	62
H27A50QDBE*	460-3			17.7			5/8	7/8		65	62
H26A46QDBE*	460-3			18.0			1/2	7/8		65	62
H26A50QDBE*	460-3			18.0			1/2	7/8		65	62
H25A46QDBE*	460-3			16.2			1/2	7/8		65	62
H25A50QDBE*	460-3			17.4			1/2	7/8		65	62
H23A463DBE*	460-3			15.3			3/8	3/4		55	52
H23A503DBE*	460-3			16.8			3/8	3/4		55	52
H23A46QDBE*	460-3			15.0			3/8	3/4		55	52
H23A50QDBE*	460-3			16.5			3/8	3/4		55	52
H21A463DBE*	460-3			14.7			1/2	7/8		50	47
H20R453DBE*	460-3			17.7			1/2	3/4		70	66
H20R483DBE*	460-3			17.7			1/2	3/4		70	66
H21R453DBE*	460-3			18.3			1/2	7/8		70	66
H21R483DBE*	460-3			18.3			1/2	7/8		70	66
H21R513DBE*	460-3			18.3			1/2	7/8		70	66
CR53KQ-PFV	208/230-1	10.6	9.2	14.8	7.5	7.5	1/2	7/8	MO	45	43
	208/230-1										
CRM3-0400-PFV	208/230-1	9.4	9.3	15.3	7.5	7.5	1/2	7/8	MO	55	51
	208/230-1										
CRM1-0400-PFV	208/230-1								MO	55	51
YRD6-0400-PFV	208/230-1	11.7	9.3	17.4	7.5	7.5	1/2	7/8	MO		
YHD6-0400-PFV	208/230-1	11.7	9.3	17.4	7.5	7.5	1/2	7/8	MO		
YRF2-0450-PFV	208/230-1	12.3	9.3		7.5	7.5			MO		
VRD1-0400-PFV	208/230-1	14.3	13.1	16.5	7.5	7.5	1/2	7/8	MO		
AGA5553EXN	208/230-1										
AG5553E	208/230-1			16.0	7.5	7.5	1/2	7/8			
AG5553H	208/230-1			16.0	7.5	7.5	1/2	7/8			
H27A54QCBC*	208/230-1			17.7			5/8	7/8		65	62
H25A54QCBC*	208/230-1			17.4			1/2	7/8		65	62
H23A543ABC*	208/230-1			16.2			3/8	3/4		55	52
H23A50QABC*	208/230-1			16.5			3/8	3/4		50	47
H20C523*	208/230-1			16.9	7.5	7.5	1/2	7/8			
H21C533*	208/230-1			16.9	7.5	7.5	1/2	7/8			
H22C563*	208/230-1			18.1	7.5	7.5	1/2	7/8			
P*50	208/230-1			16.1	10.6	10.6	1/2	7/8			
P*53	208/230-1			16.2	10.6	10.6	1/2	7/8			
R*54	208/230-1			12.7	9.6	9.6	1/2	7/8			

Compressor Data

“CR” Compressors

Model	R22					R502					
	App	RLA	BTUH	Watts	Amps	App	RLA	BTUH	Watts	Amps	
CR53KQ-TF5	AC	18.0	44700	4500	17.9						
	HT										
CRM3-0400-TF5	AC	17.9	53100	5260	15.7	MT*					
	HT	17.9	49300	5270	15.7						
<i>AGA5553EXT</i>	AC		54000								
<i>H27A54QDBL*</i>	AC	14.3	53500	4570							
<i>H26A54QDBL*</i>	AC	14.7	52900	4604							
<i>H25A54QDBL*</i>	AC	14.0	53500	4635							
<i>H23A543DBL*</i>	AC	15.4	53400	5270							
<i>H23A54QDBL*</i>	AC	15.4	53500	5360							
CR53KQ-TFD	AC	9.1	53200	5220	8.0						
	HT										
CRM3-0400-TFD	AC	8.6	53100	5260	7.8	MT*					
	HT	8.6	49300	5270	7.8						
<i>AGC5553EXG</i>	AC		54000								
<i>H27A54QDBE*</i>	AC	14.3	53500	4570							
<i>H26A54QDBE*</i>	AC	14.7	52900	4604							
<i>H25A54QDBE*</i>	AC	14.0	53500	4635							
<i>H23A543DBE*</i>	AC	15.4	53400	5270							
<i>H23A54QDBE*</i>	AC	15.4	53100	5360							
CRN5-0500-PFV	AC	34.3	60600	6180	27.3						
	HT	34.3	58400	6300	28.1		MT*				
<i>CRN1-0500-PFV</i>	AC		61250			MT	34.3	39400	5120	23.4	
<i>VRE1-0500-PFV</i>	AC		61150								
<i>YRD4-0400-PFB</i>		33.0	61000	6900	27.5						
<i>YRD4-0400-PFH</i>		35.0	61000	6900	30.0						
<i>AGA5561EXN</i>	AC		61000								
<i>AGA5568EXN</i>	AC		68000								
<i>AVD5558EXN</i>	AC		57500								
<i>AG5568E</i>	AC		66020								
<i>PFB500</i>	AC		64560								
<i>PFB503</i>	AC		64560								
<i>H27A62QCBC*</i>	AC	24.0	62300	5375							
<i>H25A62QCBC*</i>	AC	24.6	61000	5430							
<i>H23A623ABC*</i>	AC	28.2	60800	6080							
<i>H23A62QABC*</i>	AC	29.0	61800	6360							
<i>H20R603ABC*</i>	AC	28.9	59400	5250							
<i>H21R603CBC*</i>	AC	28.9	60700	5390							
<i>H21C683*</i>	AC		66000								
<i>H22C613*</i>	AC		60190								
<i>3005-3E05</i>	AC		60870								
<i>P*60</i>	AC		61300								
<i>P*64</i>	AC		63300								
<i>P*67</i>	AC		66500								
<i>2A061A</i>	AC		61500								
<i>2B061A</i>	AC		61500								
<i>MT64HM</i>	AC		64300								
<i>MT72HN</i>	AC		69600								

Compressor Data

Model	Volts/ Phase	Dimensions (inches)			Mounting (inches)		Connections (inches)		Oil Type	Oil Charge (ounces)	
		L	W	H	L	W	Disch	Suct		Initial	Recharge
CR53KQ-TF5	200/230-3	10.6	9.3	14.8	7.5	7.5	1/2	7/8	MO	45	43
CRM3-0400-TF5	200/230-3	9.4	9.3	15.3	7.5	7.5	1/2	7/8	MO	55	51
AGA5553EXT	200/230-3										
H27A54QDBL*	200/230-3			17.7			5/8	7/8		65	62
H26A54QDBL*	200/230-3			18.0			1/2	7/8		65	62
H25A54QDBL*	200/230-3			17.4			1/2	7/8		65	62
H23A543DBL*	200/230-3			16.8			3/8	3/4		55	52
H23A54QDBL*	200/230-3			16.5			3/8	3/4		55	52
CR53KQ-TFD	460-3	10.4	9.2	14.8	7.5	7.5	1/2	7/8	MO	45	43
CRM3-0400-TFD	460-3	9.4	9.3	15.3	7.5	7.5	1/2	7/8	MO	55	51
AGC5553EXG	460-3			15.3							
H27A54QDBE*	460-3			17.7			5/8	7/8		65	62
H26A54QDBE*	460-3			18.0			1/2	7/8		65	62
H25A54QDBE*	460-3			17.4			1/2	7/8		65	62
H23A543DBE*	460-3			16.8			3/8	3/4		55	52
H23A54QDBE*	460-3			16.5			3/8	3/4		55	52
CRN5-0500-PFV	208/230-1	11.4	9.5	16.1	7.5	7.5	1/2	7/8	MO	70	66
CRN1-0500-PFV	208/230-1	11.4	9.0	16.1	7.5	7.5	1/2	7/8	MO	70	66
VRE1-0500-PFV	208/230-1	14.3	13.1	16.5	7.5	7.5	1/2	7/8	MO		
YRD4-0400-PFB	230-1	11.7	9.3	17.4	7.5	7.5	1/2	7/8	MO		
YRD4-0400-PFH	208-1	11.7	9.3	17.4	7.5	7.5	1/2	7/8	MO		
AGA5561EXN	208/230-1										
AGA5568EXN	208/230-1										
AVD5558EXN	208/230-1										
AG5568E	208/230-1			17.0	7.5	7.5	1/2	7/8			
PFB500	208/230-1										
PFB503	208/230-1										
H27A62QCBC*	208/230-1			17.7			5/8	7/8		65	62
H25A62QCBC*	208/230-1			17.4			1/2	7/8		65	62
H23A623ABC*	208/230-1			16.2			3/8	3/4		55	52
H23A62QABC*	208/230-1			16.5			3/8	3/4		50	47
H20R603ABC*	208/230-1			18.5			1/2	3/4		54	52
H21R603CBC*	208/230-1			18.3			1/2	7/8		65	62
H21C683*	208/230-1			18.1	7.5	7.5	1/2	7/8			
H22C613*	208/230-1			17.4	7.5	7.5	1/2	7/8			
3005-3E05	208/230-1			19.3	10.9	10.9	5/8	3/8			
P*60	208/230-1			16.2	10.6	10.6	1/2	7/8			
P*64	208/230-1			16.2	10.6	10.6	1/2	7/8			
P*67	208/230-1			16.2	10.6	10.6	1/2	7/8			
2A061A	208/230-1			17.4	7.5	7.5	1/2	7/8			
2B061A	208/230-1										
MT64HM	208/230-1			15.9							
MT72HN	208/230-1			15.9							

Compressor Data

“CR” Compressors

Model	R22					R502				
	App	RLA	BTUH	Watts	Amps	App	RLA	BTUH	Watts	Amps
CRN5-0500-TF5	AC	21.4	61300	6100	17.8	MT*				
	HT	21.4	58500	6270	17.7					
<i>AGA5561EXT</i>	AC		61000							
<i>AGA5568EXT</i>	AC		68000							
<i>AVD5558EXT</i>	AC		57600							
<i>H27A62QDBL*</i>	AC	16.8	62300	5325						
<i>H26A62QDBL*</i>	AC	17.3	61000	5390						
<i>H25A62QDBL*</i>	AC	16.0	61000	5375						
<i>H23A623DBL*</i>	AC	17.5	60800	5990						
<i>H21R603DBL*</i>	AC	18.0	58400	5200						
CRN5-0500-TFD	AC	9.6	61300	6100	8.9	MT*				
	HT	9.6	58500	6270	8.8					
<i>AGC5561EXG</i>	AC		61000							
<i>AGC5568EXG</i>	AC		68000							
<i>AVD5558EXG</i>	AC		57600							
<i>H27A62QDBE*</i>	AC	16.8	62300	5325						
<i>H26A62QDBE*</i>	AC	17.3	61000	5390						
<i>H25A62QDBE*</i>	AC	16.0	61000	5375						
<i>H23A623DBE*</i>	AC	17.5	60800	5990						
<i>H21R603DBE*</i>	AC	18.0	58400	5200						
CRP5-0450-PFV	AC	30.7	58300	5760	25.8	MT*				
	HT	30.7	54400	5800	26.0					
<i>CRP1-0450-PFV</i>			57000			MT	30.0	3580	4670	21.2
<i>YRE5-0500-PFV</i>			59200							
<i>YRE6-0500-PFV</i>			59200							
<i>YRE2-0500-PFV</i>			60700							
<i>YRE4-0500-PFV</i>			60700	7300	35.0					
<i>YRE5-0500-PFV</i>			60700							
<i>YEH5-0500-PFV</i>			60700							
<i>YEH4-0500-PFB</i>		39.5	62500	7300	33.0					
<i>AG5561E</i>	AC		59220							
<i>AG5561H</i>	AC		60000							
<i>CL51ZH17</i>	AC		60190							
<i>CL5562E</i>	AC		60190							
<i>H27A56QCBC*</i>	AC	21.3	56800	4898						
<i>H20R583ABC*</i>	AC	28.9	57400	5080						
<i>H21R583CBC*</i>	AC	28.9	57900	5120						
<i>H21C613*</i>	AC		59920							
<i>2A056A</i>	AC		56500							
<i>2A058A</i>	AC		58000							
<i>2B058A</i>	AC		58000							
<i>2B056A</i>	AC		56500							
<i>3A056A</i>	AC		56500							
<i>3A058A</i>	AC		58000							
<i>MT56HL</i>	AC		55850							

Compressor Data

Model	Volts/ Phase	Dimensions (inches)			Mounting (inches)		Connections (inches)		Oil Type	Oil Charge (ounces)	
		L	W	H	L	W	Disch	Suct		Initial	Recharge
CRN5-0500-TF5	200/230-3	11.4	9.5	16.1	7.5	7.5	1/2	7/8	MO	70	66
	200/230-3										
AGA5561EXT	200/230-3										
AGA5568EXT	208/208-3										
AVD5558EXT	208/230-3										
H27A62QDBL*	200/230-3			17.7			5/8	7/8		65	62
H26A62QDBL*	200/230-3			18.0			1/2	7/8		65	62
H25A62QDBL*	200/230-3			17.4			1/2	7/8		65	62
H23A623DBL*	200/230-3			16.8			3/8	3/4		55	52
H21R603DBL*	200/230-3			18.3			1/2	7/8		72	69
CRN5-0500-TFD	460-3	11.4	9.5	16.1	7.5	7.5	1/2	7/8	MO	70	66
	460-3										
AGC5561EXG	460-3										
AGC5568EXG	460-3										
AVD5558EXG	460-3										
H27A62QDBE*	460-3			17.7			5/8	7/8		65	62
H26A62QDBE*	460-3			18.0			1/2	7/8		65	62
H25A62QDBE*	460-3			17.4			1/2	7/8		65	62
H23A623DBE*	460-3			16.8			3/8	3/4		55	52
H21R603DBE*	460-3			18.3			1/2	7/8		72	69
CRP5-0450-PFV	208/230-1	11.4	9.4	15.9	7.5	7.5	1/2	7/8	MO	70	66
	208/230-1										
CRP1-0450-PFV	208/230-1	11.4	9.0	15.9	7.5	7.5	1/2	7/8	MO	70	66
YRE5-0500-PFV	208/230-1	12.4	9.3	17.4	7.5	7.5	1/2	7/8	MO		
YRE6-0500-PFV	208/230-1	13.4	9.3	17.4	7.5	7.5	1/2	7/8	MO		
YRE2-0500-PFV	208/230-1	14.4	9.3	17.4	7.5	7.5	1/2	7/8	MO		
YRE4-0500-PFV	208/230-1	15.4	13.1	17.4	7.5	7.5	1/2	7/8	MO		
YRE5-0500-PFV	208/230-1	16.4	9.3	17.4	7.5	7.5	1/2	7/8	MO		
YEH5-0500-PFV	208/230-1	17.4	9.3	17.4	7.5	7.5	1/2	7/8	MO		
YEH4-0500-PFB	230-1								MO		
AG5561E				16.5	7.5	7.5	1/2	7/8			
AG5561H				16.5	7.5	7.5	1/2	7/8			
CL51ZH17				17.2	7.5	7.5	1/2	7/8			
CL5562E				17.2	7.5	7.5	1/2	7/8			
H27A56QCBC*	208/230-1			17.7			5/8	7/8		65	62
H20R583ABC*	208/230-1			17.7			1/2	3/4		54	52
H21R583CBC*	208/230-1			18.3			1/2	7/8		65	62
H21C613*				17.4	7.5	7.5	1/2	7/8			
2A056A				17.4	7.5	7.5	1/2	7/8			
2A058A				17.4	7.5	7.5	1/2	7/8			
2B058A											
2B056A											
3A056A											
3A058A											
MT56HL				15.9							

Compressor Data

“CR” Compressors

Model	R22					R502				
	App	RLA	BTUH	Watts	Amps	App	RLA	BTUH	Watts	Amps
CRP5-0450-TF5	AC	19.6	57000	5640	16.0	MT*				
	HT	19.6	54600	5730	16.2					
<i>H27A56QDBL*</i>	AC	15.5	55800	4855						
<i>H23A62QDBL*</i>	AC	18.0	58890	6200						
<i>H20R583DBL*</i>	AC	16.0	56600	4980						
<i>H20R603DBL*</i>	AC	16.0	58400	5190						
<i>H21R583DBL*</i>	AC	15.5	56500	5020						
CRP5-0450-TFD	AC	10.4	57000	5640	8.0	MT*				
	HT	10.4	54600	5730	8.1					
<i>YRE4-0500-TFD</i>		12.5	62500	7200	10.5					
<i>H27A56QDBE*</i>	AC	15.5	56800	4855						
<i>H23A62QDBE*</i>	AC	18.0	58890	6200						
<i>H20R583DBE*</i>	AC	16.0	56600	4980						
<i>H20R603DBE*</i>	AC	16.0	58400	5190						
<i>H21R583DBE*</i>	AC	15.5	56500	5020						
CRT5-0450-TF5	AC	19.6	54800	5320	15.1					
<i>H26A56QDBL*</i>	AC	15.4	55900	4934						
<i>H25A563DBL*</i>	AC	14.5	55600	4900						
<i>H25A56QDBL*</i>	AC	14.5	55600	4900						
<i>H23A563DBL*</i>	AC	16.0	55600	5390						
<i>H23A56QDBL*</i>	AC	15.8	54689	5500						
CRT5-0450-TFD	AC	10.4	54800	5320	7.5					
<i>H26A56QDBE*</i>	AC	15.4	55900	4934						
<i>H25A563DBE*</i>	AC	14.5	55600	4900						
<i>H25A56QDBE*</i>	AC	14.5	55600	4900						
<i>H23A563DBE*</i>	AC	16.0	55600	5390						
<i>H23A56QDBE*</i>	AC	15.8	54689	5500						

Compressor Data

Model	Volts/ Phase	Dimensions (inches)			Mounting (inches)		Connections (inches)		Oil Type	Oil Charge (ounces)	
		L	W	H	L	W	Disch	Suct		Initial	Recharge
CRP5-0450-TF5	200/230-3	11.4	9.4	15.9	7.5	7.5	1/2	7/8	MO	70	66
<i>H27A56QDBL*</i>	200/230-3			17.7			5/8	7/8		65	62
<i>H23A62QDBL*</i>	200/230-3			16.6			3/8	3/4		55	52
<i>H20R583DBL*</i>	200/230-3			17.7			1/2	3/4		72	69
<i>H20R603DBL*</i>	200/230-3			17.7			1/2	3/4		72	69
<i>H21R583DBL*</i>	200/230-3			18.3			1/2	7/8		72	69
CRP5-0450-TFD	460-3	11.4	9.4	15.9	7.5	7.5	1/2	7/8	MO	70	66
<i>YRE4-0500-TFD</i>	460-3	14.3	13.1	17.4	7.5	7.5	1/2	7/8	MO		
<i>H27A56QDBE*</i>	460-3			17.7			5/8	7/8		65	62
<i>H23A62QDBE*</i>	460-3			16.6			3/8	3/4		55	52
<i>H20R583DBE*</i>	460-3			17.7			1/2	3/4		72	69
<i>H20R603DBE*</i>	460-3			17.7			1/2	3/4		72	69
<i>H21R583DBE*</i>	460-3			18.3			1/2	7/8		72	69
CRT5-0450-TF5	200/230-3	11.4	9.4	15.9	7.5	7.5	1/2	7/8	MO	70	66
<i>H26A56QDBL*</i>	200/230-3			18.0			1/2	7/8		65	62
<i>H25A563DBL*</i>	200/230-3			17.7			1/2	7/8		65	62
<i>H25A56QDBL*</i>	200/230-3			17.4			1/2	7/8		65	62
<i>H23A563DBL*</i>	200/230-3			16.2			3/8	3/4		55	52
<i>H23A56QDBL*</i>	200/230-3			16.5			3/8	3/4		55	52
CRT5-0450-TFD	460-3	11.4	9.4	15.9	7.5	7.5	1/2	7/8	MO	70	66
<i>H26A56QDBE*</i>	460-3			18.0			1/2	7/8		65	62
<i>H25A563DBE*</i>	460-3			17.7			1/2	7/8		65	62
<i>H25A56QDBE*</i>	460-3			17.4			1/2	7/8		65	62
<i>H23A563DBE*</i>	460-3			16.2			3/8	3/4		55	52
<i>H23A56QDBE*</i>	460-3			16.5			3/8	3/4		55	52

Compressor Data

Model	R12				R134a				R22					
	App	RLA	BTUH	Watts Amps	App	RLA	BTUH	WattsAmps	App	RLA	BTUH	Watts Amps		
CS10K6E-PFV					HT	10.9	11600	1300	7.5	MT	10.9	10600	1500	8.5
AJA4512YXD					HT	7.0	10920	1498	7.0					
AJA7494ZXD														
M51B872BBC														
M65972BBC														
M53B982BBC														
CS10K6E-TF5					HT	7.5	11300	1190	3.7	MT	7.5	10600	1500	8.5
M51B872DBL														
CS10K6E-TFD					HT	3.6	11300	1190	1.9	MT	3.6	10600	1500	4.3
CS12K6E-PFV					HT	10.9	13800	1470	7.3	MT	10.9	12200	1740	7.2
					MT(1)		5840							
AHA7513ZXD														
AJB7510JXD														
AWA7512ZXD														
M1NB642EBC	MT(1)		5639											
M50B103BBC														
M53B103BBC														
L51B452BBC														
L61B452BBC														
CS12K6E-TF5					HT	7.5	13600	1430	4.4	MT	7.5	13600	1430	4.4
AHA7513ZXF														
AWA7512ZXT														
CS14K6E-PFV					HT	12.4	16300	1730	8.6	MT	12.4	14300	2590	7.6
					MT(1)		6890	1230	7.2					
AJB7465AXD	MT(1)		6151	1135	7.0									
AHA7480AXD	MT(1)		7400											
AHA7515JXB														
AWA7515ZXD														
H10B183BBC	HT		16613											
M1NB802BBC	MT(1)		6578											
M51B123BBC														

Above models are also approved for additional refrigerants, see page 128.

Compressor Data

Model	Volts/ Phase	Dimensions (inches)			Mounting (inches)		Connections (inches)		Oil Type	Oil Charge (ounces)	
		L	W	H	L	W	Disch	Suct		Initial	Recharge
CS10K6E-PFV	208/230-1	10.3	9.1	13.3	7.5	7.5	3/8	3/4		45	43
AJA4512YXD	208/230-1	11.9	6.6	10.7	8.0	4.8	5/16	1		26	
AJA7494ZXD	208/230-1						5/16	1/2		26	
M51B872BBC	208/230-1										
M65972BBC	208/230-1										
M53B982BBC	208/230-1										
CS10K6E-TF5	200/230-3	10.3	9.1	13.3	7.5	7.5	3/8	3/4		45	43
M51B872DBL	200/230-3										
CS10K6E-TFD	460-3	10.3	9.1	13.3	7.5	7.5	3/8	3/4		45	43
CS12K6E-PFV	208/230-1	10.3	9.1	13.3	7.5	7.5	3/8	3/4		45	43
AHA7513ZXD	208/230-1						3/8	1 1/4		45	
AJB7510JXD	208/230-1										
AWA7512ZXD	208/230-1										
M1NB642EBC	208/230-1										
M50B103BBC											
M53B103BBC	208/230-1										
L51B452BBC	208/230-1										
L61B452BBC	208/230-1										
CS12K6E-TF5	200/230-3	10.3	9.1	13.3	7.5	7.5	3/8	3/4		45	43
AHA7513ZXF	208/230-3						3/8	1 1/4		45	
AWA7512ZXT											
CS14K6E-PFV	208/230-1	10.3	9.1	13.4	7.5	7.5	3/8	3/4		45	43
AJB7465AXD	208/230-1	11.9	6.6	11.2	8.0	4.8	5/16	1		22	
AHA7480AXD	208/230-1										
AHA7515JXB	208/230-1										
AWA7515ZXD											
H10B183BBC											
M1NB802BBC	208/230-1										
M51B123BBC	208/230-1										

Compressor Data

Models	R502		R404A				R402		R507					
	App	BTUH	App	RLA	BTUH	Watts	Amps	App	BTUH	App	RLA	BTUH	Watts	Amps
CS10K6E-PFV			EMT	10.9	10000	1660	7.6	MT(1) 12303						
			MT		10080	1660	7.6		EMT	10.9	10400	1700	7.8	
			MT(1)		8140									
AJA4512YXD														
AJA7494ZXD			MT	8.9	9350	1840	8.9							
M51B872BBC	MT(1)	7563												
M65972BBC			MT(1)		8503									
M53B982BBC								MT(1) 8503						
CS10K6E-TF5			EMT	7.5	9940	1610	5.2							
			MT(1)		8020				MT	7.5	10300	1680	5.2	
M51B872DBL	MT(1)	7876												
CS10K6E-TFD			EMT	3.6	9940	1610	2.6							
CS12K6E-PFV			EMT	10.9	12000	1920	8.7							
			MT		11800									
			MT(1)		9820				EMT	10.9	12400	1970	8.9	
			LT(1)		2830									
AHA7513ZXD			MT	11.7	13050	2610								
AJB7510JXD	MT	10500												
AWA7512ZXD			MT		11600									
M1NB642EBC														
M50B103BBC	MT(1)	9222												
M53B103BBC														
L51B452BBC	LT(1)	3150												
L61B452BBC			LT(1)	3150				MT(1) 9487						
CS12K6E-TF5			EMT	7.5	11800	1870	5.8							
			MT		11830				EMT	7.5	12100	1900	6.0	
AHA7513ZXF			MT	7.8	13200	2590								
AWA7512ZXT			MT		11500									
CS14K6E-PFV			EMT	12.4	14300	2590	7.6							
			MT	12.4	14100	2280	10.3							
			MT(1)		11650				EMT	12.4	14500	2320	10.5	
			LT(1)		4230				MT	12.4	14500	2320	10.5	
AJB7465AXD														
AHA7480AXD														
AHA7515JXB	MT	15000												
AWA7515ZXD			MT		15400									
H10B183BBC														
M1NB802BBC														
M51B123BBC	MT(1)	10830												

Above models are also approved for additional refrigerants, see page 126.

Compressor Data

Model	Volts/ Phase	Dimensions (inches)			Mounting (inches)		Connections (inches)		Oil Type	Oil Charge (ounces)	
		L	W	H	L	W	Disch	Suct		Initial	Recharge
CS10K6E-PFV	208/230-1	10.3	9.1	13.3	7.5	7.5	3/8	3/4		45	43
<i>AJA4512YXD</i>	208/230-1	11.9	6.6	10.7	8.0	4.8	5/16	1		26	
<i>AJA7494ZXD</i>	208/230-1						5/16	1/2		26	
<i>M51B872BBC</i>	208/230-1										
<i>M65972BBC</i>	208/230-1										
<i>M53B982BBC</i>	208/230-1										
CS10K6E-TF5	200/230-3	10.3	9.1	13.3	7.5	7.5	3/8	3/4		45	43
<i>M51B872DBL</i>	200/230-3										
CS10K6E-TFD	460-3	10.3	9.1	13.3	7.5	7.5	3/8	3/4		45	43
CS12K6E-PFV	208/230-1	10.3	9.1	13.3	7.5	7.5	3/8	3/4		45	43
<i>AHA7513ZXD</i>	208/230-1						3/8	1 1/4		45	
<i>AJB7510JXD</i>	208/230-1										
<i>AWA7512ZXD</i>	208/230-1										
<i>M1NB642EBC</i>	208/230-1										
<i>M50B103BBC</i>											
<i>M53B103BBC</i>	208/230-1										
<i>L51B452BBC</i>	208/230-1										
<i>L61B452BBC</i>	208/230-1										
CS12K6E-TF5	200/230-3	10.3	9.1	13.3	7.5	7.5	3/8	3/4		45	43
<i>AHA7513ZXF</i>	208/230-3						3/8	1 1/4		45	
<i>AWA7512ZXT</i>											
CS14K6E-PFV	208/230-1	10.3	9.1	13.4	7.5	7.5	3/8	3/4		45	43
<i>AJB7465AXD</i>	208/230-1	11.9	6.6	11.2	8.0	4.8	5/16	1		22	
<i>AHA7480AXD</i>	208/230-1										
<i>AHA7515JXB</i>	208/230-1										
<i>AWA7515ZXD</i>											
<i>H10B183BBC</i>											
<i>M1NB802BBC</i>	208/230-1										
<i>M51B123BBC</i>	208/230-1										

Compressor Data

Model	R12				R134a				R22					
	App	RLA	BTUH	Watts Amps	App	RLA	BTUH	WattsAmps	App	RLA	BTUH	Watts Amps		
CS14K6E-PFV <i>M52B123BBC</i> <i>M52B143BBC</i> <i>M53B143BBC</i> <i>M65B133BBC</i> <i>L51B562BBC</i>					HT	12.4	16300	1730	8.6	MT	12.4	14300	2590	7.6
					MT(1)		6890	1230	7.2					
CS14K6E-TF5 <i>AHA7480AXF</i> <i>M1NB922DBL</i> <i>M51B123DBL</i> <i>M53B143DBD</i> <i>M51B143DBL</i> <i>L51B562DBL</i> <i>L61B562DBL</i>					HT	9.1	16000	1680	5.2	MT	9.1	13900	1900	3.1
					MT(1)		7420	1160	4.5					
		MT(1)	7400											
		MT(1)	8234											
CS14K6E-TFD <i>M51B123DBE</i> <i>M51B143DBE</i> <i>L51B562DBE</i> <i>L61B562DBE</i>					HT	4.7	16000	1680	2.6	MT	4.7	13900	1900	1.5
CS18K6E-PFV <i>AHA4518AXD</i> <i>M1NB922BBC</i> <i>M51B143BBC</i> <i>M51B163BBC</i> <i>M53B163BBC</i> <i>M65B163BBC</i> <i>L51B652BBC</i> <i>L61B652BBC</i>					HT	16.0	20600	2150	10.7	MT	16.0	18600	2500	10.8
					MT(1)		8690							
		HT	18000	2210	10.0									
		MT(1)	8087											

Above models are also approved for additional refrigerants, see page 132.

Compressor Data

Model	Volts/ Phase	Dimensions (inches)			Mounting (inches)		Connections (inches)		Oil Type	Oil Charge (ounces)	
		L	W	H	L	W	Disch	Suct		Initial	Recharge
CS14K6E-PFV	208/230-1	10.3	9.1	13.4	7.5	7.5	3/8	3/4		45	43
<i>M52B123BBC</i>											
<i>M52B143BBC</i>											
<i>M53B143BBC</i>	208/230-1										
<i>M65B133BBC</i>	208/230-1										
<i>L51B562BBC</i>											
CS14K6E-TF5	200/230-3	10.3	9.1	13.4	7.5	7.5	3/8	3/4		45	43
<i>AHA7480AXF</i>	200/230-3			14.5	7.5	7.5	3/8	1 1/4		45	
<i>M1NB922DBL</i>	200/230-3										
<i>M51B123DBL</i>	200/230-3										
<i>M53B143DBD</i>	200/230-3										
<i>M51B143DBL</i>	200/230-3										
<i>L51B562DBL</i>	200/230-3										
<i>L61B562DBL</i>	200/230-3										
CS14K6E-TFD	460-3	10.3	9.1	13.4	7.5	7.5	3/8	3/4		45	43
<i>M51B123DBE</i>	460-3										
<i>M51B143DBE</i>	460-3										
<i>L51B562DBE</i>	460-3										
<i>L61B562DBE</i>	460-3										
CS18K6E-PFV	208/230-1	10.3	9.1	13.8	7.5	7.5	3/8	3/4		45	43
<i>AHA4518AXD</i>	208/230-1			13.5	7.5	7.5	3/8	1 1/4		45	
<i>M1NB922BBC</i>	208/230-1										
<i>M51B143BBC</i>	208/230-1										
<i>M51B163BBC</i>	208/230-1										
<i>M53B163BBC</i>	208/230-1										
<i>M65B163BBC</i>	208/230-1										
<i>L51B652BBC</i>	208/230-1										
<i>L61B652BBC</i>	208/230-1										

Compressor Data

Models	R502		R404A				R402		R507					
	App	BTUH	App	RLA	BTUH	Watts	Amps	App	BTUH	App	RLA	BTUH	Watts	Amps
CS14K6E-PFV			EMT	12.4	14300	2590	7.6							
			MT	12.4	14100	2280	10.3			EMT	12.4	14500	2320	10.5
			MT(1)		11650					MT	12.4	14500	2320	10.5
			LT(1)		4230									
<i>M52B123BBC</i>	MT(1)	10848												
<i>M52B143BBC</i>	MT(1)	12823												
<i>M53B143BBC</i>														
<i>M65B133BBC</i>			MT(1)		11123			MT(1)	12083					
<i>L51B562BBC</i>	LT(1)	4012												
CS14K6E-TF5			EMT	9.1	13900	2200	6.7							
			MT(1)		11490					EMT	9.1	14300	2250	7.0
			LT(1)		4170									
<i>AHA7480AXF</i>														
<i>M1NB922DBL</i>														
<i>M51B123DBL</i>	MT(1)	11188												
<i>M53B143DBD</i>														
<i>M51B143DBL</i>	MT(1)	12799						MT(1)	12303					
<i>L51B562DBL</i>	LT(1)	3975												
<i>L61B562DBL</i>			LT(1)		3975									
CS14K6E-TFD			EMT	4.7	13900	2200	3.3							
			MT(1)		11490					EMT	4.7	14300	2250	3.5
			LT(1)		4170									
<i>M51B123DBE</i>	MT(1)	11188												
<i>M51B143DBE</i>	MT(1)	12799												
<i>L51B562DBE</i>	LT(1)	3975												
<i>L61B562DBE</i>			LT(1)		3975									
CS18K6E-PFV			EMT	16.0	18100	2780	13.0							
			MT(1)		14810					EMT	16.0	18600	2830	13.3
			LT(1)		4960									
<i>AHA4518AXD</i>														
<i>M1NB922BBC</i>														
<i>M51B143BBC</i>	MT(1)	13193												
<i>M51B163BBC</i>	MT(1)	14007												
<i>M53B163BBC</i>	MT(1)	14410												
<i>M65B163BBC</i>			MT(1)		14320									
<i>L51B652BBC</i>	LT(1)	4650												
<i>L61B652BBC</i>			LT(1)		4650									

Above models are also approved for additional refrigerants, see page 130.

Compressor Data

Model	Volts/ Phase	Dimensions (inches)			Mounting (inches)		Connections (inches)		Oil Type	Oil Charge (ounces)	
		L	W	H	L	W	Disch	Suct		Initial	Recharge
CS14K6E-PFV	208/230-1	10.3	9.1	13.4	7.5	7.5	3/8	3/4		45	43
<i>M52B123BBC</i>											
<i>M52B143BBC</i>											
<i>M53B143BBC</i>	208/230-1										
<i>M65B133BBC</i>	208/230-1										
<i>L51B562BBC</i>											
CS14K6E-TF5	200/230-3	10.3	9.1	13.4	7.5	7.5	3/8	3/4		45	43
<i>AHA7480AXF</i>	200/230-3			14.5	7.5	7.5	3/8	1 1/4		45	
<i>M1NB922DBL</i>	200/230-3										
<i>M51B123DBL</i>	200/230-3										
<i>M53B143DBD</i>	200/230-3										
<i>M51B143DBL</i>	200/230-3										
<i>L51B562DBL</i>	200/230-3										
<i>L61B562DBL</i>	200/230-3										
CS14K6E-TFD	460-3	10.3	9.1	13.4	7.5	7.5	3/8	3/4		45	43
<i>M51B123DBE</i>	460-3										
<i>M51B143DBE</i>	460-3										
<i>L51B562DBE</i>	460-3										
<i>L61B562DBE</i>	460-3										
CS18K6E-PFV	208/230-1	10.3	9.1	13.8	7.5	7.5	3/8	3/4		45	43
<i>AHA4518AXD</i>	208/230-1			13.5	7.5	7.5	3/8	1 1/4		45	
<i>M1NB922BBC</i>	208/230-1										
<i>M51B143BBC</i>	208/230-1										
<i>M51B163BBC</i>	208/230-1										
<i>M53B163BBC</i>	208/230-1										
<i>M65B163BBC</i>	208/230-1										
<i>L51B652BBC</i>	208/230-1										
<i>L61B652BBC</i>	208/230-1										

Compressor Data

Model	R12				R134a				R22						
	App	RLA	BTUH	Watts Amps	App	RLA	BTUH	WattsAmps	App	RLA	BTUH	Watts Amps			
CS18K6E-TF5					HT	10.4	20400	2050	6.4	MT	10.4	18300	2420	14.8	
<i>AHA4518AXF</i> <i>M65B163DBL</i> <i>L51652DBD</i> <i>L51B652DBD</i> <i>L61B652DBD</i>	HT		18000	2210	6.2										
CS18K6E-TFD					HT	4.7	20400	2050	3.2	MT	4.7	18300	2420	7.4	
<i>AHA4518AXG</i> <i>M65B163DBE</i> <i>L51652DBE</i> <i>L51B652DBE</i> <i>L61B652DBE</i>	HT		18000	2210	3.6										
CS20K6E-PFV					HT	18.6	23300	2400	12.0	MT	18.6	20600	2800	12.5	
					MT(1)		9840	1710	10.1						
<i>AHA4525AXD</i> <i>AHB7511AXD</i> <i>AHA7521ZXD</i> <i>H10A253BBC</i> <i>H13A253BBC</i> <i>M13A113BBC</i> <i>M65B203BBC</i> <i>M53B203BBC</i>	HT MT(1) HT HT MT(1)		26250 11100 25224 25224 10087	3150	15.0										
CS20K6E-TF5					HT	11.4	22700	2300	7.1	MT	11.4	20300	2720	7.8	
					MT(1)		10500	1590	6.2						
<i>AHA4525AXF</i> <i>AHA7511AXF</i> <i>AHA7521ZXF</i> <i>M13A113DBL</i> <i>M65B203DBL</i> <i>M53B203DBD</i>	HT MT(1) MT(1)		25500 11100 10382	3000	9.2										
CS20K6E-TFD <i>AHA4525AXG</i>	HT		25500	3150	4.5	HT	5.1	22700	2300	3.6	MT	5.1	20300	2720	3.9

Above models are also approved for additional refrigerants, see page 136.

Compressor Data

Model	Volts/ Phase	Dimensions (inches)			Mounting (inches)		Connections (inches)		Oil Type	Oil Charge (ounces)	
		L	W	H	L	W	Disch	Suct		Initial	Recharge
CS18K6E-TF5	200/230-3	10.3	9.1	13.8	7.5	7.5	3/8	3/4		45	43
<i>AHA4518AXF</i>	208/230-3			14.5	7.5	7.5	3/8	1 1/4		45	
<i>M65B163DBL</i>	208/230-3										
<i>L51652DBD</i>	208/230-3										
<i>L51B652DBD</i>	208/230-3										
<i>L61B652DBD</i>	208/230-3										
CS18K6E-TFD	460-3	10.3	9.1	13.8	7.5	7.5	3/8	3/4		45	43
<i>AHA4518AXG</i>	460-3			14.5	7.5	7.5	3/8	1 1/4		45	
<i>M65B163DBE</i>	460-3										
<i>L51652DBE</i>	460-3										
<i>L51B652DBE</i>	460-3										
<i>L61B652DBE</i>	460-3										
CS20K6E-PFV	208/230-1	10.3	9.1	14.1	7.5	7.5	1/2	3/4		45	43
<i>AHA4525AXD</i>	208/230-1			14.5	7.5	7.5	3/8	1 1/4		45	
<i>AHB7511AXD</i>	208/230-1			14.5	7.5	7.5	3/8	1 1/4		45	
<i>AHA7521ZXD</i>	208/230-1			14.5	7.5	7.5	3/8	1 1/4		45	
<i>H10A253BBC</i>	208/230-1										
<i>H13A253BBC</i>											
<i>M13A113BBC</i>	208/230-1										
<i>M65B203BBC</i>	208/230-1										
<i>M53B203BBC</i>	208/230-1										
CS20K6E-TF5	200/230-3	10.3	9.1	14.1	7.5	7.5	1/2	3/4		45	43
<i>AHA4525AXF</i>	208/230-3			14.5	7.5	7.5	3/8	1 1/4		45	
<i>AHA7511AXF</i>	208/230-3			14.5	7.5	7.5	3/8	1 1/4		45	
<i>AHA7521ZXF</i>	208/230-3						3/8	1 1/4		45	
<i>M13A113DBL</i>	208/230-3										
<i>M65B203DBL</i>	208/230-3										
<i>M53B203DBD</i>	208/230-3										
CS20K6E-TFD	460-3	10.3	9.1	14.1	7.5	7.5	1/2	3/4		45	43
<i>AHA4525AXG</i>	460-3			14.5	7.5	7.5	3/8	1 1/4		45	

Compressor Data

Models	R502		R404A				R402		R507						
	App	BTUH	App	RLA	BTUH	Watts	Amps	App	BTUH	App	RLA	BTUH	Watts	Amps	
CS18K6E-TF5 AHA4518AXF M65B163DBL L51652DBD L51B652DBD L61B652DBD			EMT	10.4	17800	2690	8.4			EMT	10.4	18300	2750	8.9	
			MT(1)		14510										
			LT(1)		4870										
	LT(1)	4650	MT(1)		14320										
	LT(1)	4650													
			LT(1)		4650										
CS18K6E-TFD AHA4518AXG M65B163DBE L51652DBE L51B652DBE L61B652DBE			EMT	4.7	17800	2690	4.2			EMT	4.7	18300	2750	4.5	
			MT(1)		14510										
			LT(1)		4870										
	LT(1)	4650	MT(1)		14320										
	LT(1)	4650													
			LT(1)		4650										
CS20K6E-PFV AHA4525AXD AHB7511AXD AHA7521ZXD H10A253BBC H13A253BBC M13A113BBC M65B203BBC M53B203BBC			EMT	18.6	20000	3120	14.9			EMT	18.6	20600	3180	15.2	
			MT		20050										
			MT(1)		16340										
			MT	18.4	20500	3870									
			MT(1)		17274										
									MT(1)	17542					
			EMT	11.4	19800	3020	9.4				EMT	11.4	20200	3090	10.2
			MT		19760										
			MT(1)		16110										
CS20K6E-TF5 AHA4525AXF AHA7511AXF AHA7521ZXF M13A113DBL M65B203DBL M53B203DBD			EMT	10.4	20700	3670									
			MT												
			MT(1)		17274										
			MT(1)		17274										
									MT(1)	17184					
CS20K6E-TFD AHA4525AXG			EMT	5.1	19800	3020	4.7			EMT	5.1	20200	3090	5.1	

Above models are also approved for additional refrigerants, see page 134.

Compressor Data

Model	Volts/ Phase	Dimensions (inches)			Mounting (inches)		Connections (inches)		Oil Type	Oil Charge (ounces)	
		L	W	H	L	W	Disch	Suct		Initial	Recharge
CS18K6E-TF5	200/230-3	10.3	9.1	13.8	7.5	7.5	3/8	3/4		45	43
<i>AHA4518AXF</i>	208/230-3			14.5	7.5	7.5	3/8	1 1/4		45	
<i>M65B163DBL</i>	208/230-3										
<i>L51652DBD</i>	208/230-3										
<i>L51B652DBD</i>	208/230-3										
<i>L61B652DBD</i>	208/230-3										
CS18K6E-TFD	460-3	10.3	9.1	13.8	7.5	7.5	3/8	3/4		45	43
<i>AHA4518AXG</i>	460-3			14.5	7.5	7.5	3/8	1 1/4		45	
<i>M65B163DBE</i>	460-3										
<i>L51652DBE</i>	460-3										
<i>L51B652DBE</i>	460-3										
<i>L61B652DBE</i>	460-3										
CS20K6E-PFV	208/230-1	10.3	9.1	14.1	7.5	7.5	1/2	3/4		45	43
<i>AHA4525AXD</i>	208/230-1			14.5	7.5	7.5	3/8	1 1/4		45	
<i>AHB7511AXD</i>	208/230-1			14.5	7.5	7.5	3/8	1 1/4		45	
<i>AHA7521ZXD</i>	208/230-1			14.5	7.5	7.5	3/8	1 1/4		45	
<i>H10A253BBC</i>	208/230-1										
<i>H13A253BBC</i>											
<i>M13A113BBC</i>	208/230-1										
<i>M65B203BBC</i>	208/230-1										
<i>M53B203BBC</i>	208/230-1										
CS20K6E-TF5	200/230-3	10.3	9.1	14.1	7.5	7.5	1/2	3/4		45	43
<i>AHA4525AXF</i>	208/230-3			14.5	7.5	7.5	3/8	1 1/4		45	
<i>AHA7511AXF</i>	208/230-3			14.5	7.5	7.5	3/8	1 1/4		45	
<i>AHA7521ZXF</i>	208/230-3						3/8	1 1/4		45	
<i>M13A113DBL</i>	208/230-3										
<i>M65B203DBL</i>	208/230-3										
<i>M53B203DBD</i>	208/230-3										
CS20K6E-TFD	460-3	10.3	9.1	14.1	7.5	7.5	1/2	3/4		45	43
<i>AHA4525AXG</i>	460-3			14.5	7.5	7.5	3/8	1 1/4		45	

Compressor Data

“CS” Compressors

Model	R12				R134a				R22					
	App	RLA	BTUH	Watts Amps	App	RLA	BTUH	WattsAmps	App	RLA	BTUH	Watts Amps		
CS27K3E-PFV					HT	23.9	30100	3360	16.8	MT	23.9	27500	3950	17.2
					MT(1)		12700	2400	14.1					
AHA7514AXD	MT(1)		12950	2280	10.4									
AHA7524JXB														
H13A343BBC	HT		32560											
M13A143BBC	MT(1)		12351											
M50A273BBC														
M53A223BBC														
M53A273BBC														
CS27K3E-TF5					HT	15.6	29700	3220	9.9	MT	15.6	26500	3700	10.9
					MT(1)		13260	2400	14.1					
AHA7514AXF	MT(1)		12950	2210	7.3									
AHA7524JXF														
AVA7524ZXT														
M10A163DBL	MT(1)		14037											
M13A163DBL	MT(1)		14037											
M50A273DBD														
M53A27DBD														
M53A273DBD														
CS27K3E-TFD					HT	8.5	29700	3220	4.9	MT	8.5	26500	3700	5.5
					MT(1)		13260							
M53A27DBE														
M53A273DBE														
M10A153DBE	MT(1)		14003											
CS33K3E-PFV					HT	30.7	36500	4020	20.1	MT	30.7	32900	4700	21.5
					MT(1)		15400							
AGA4534AXN	HT		33700	3600	17.0									
H13A393BBC	HT		36620											
M13A163BBC	MT(1)		14454											
M10A163BBC	MT(1)		14073											
M53A303BBC														
M66A323BBC														

Above models are also approved for additional refrigerants, see page 140.

Compressor Data

Model	Volts/ Phase	Dimensions (inches)			Mounting (inches)		Connections (inches)		Oil Type	Oil Charge (ounces)	
		L	W	H	L	W	Disch	Suct		Initial	Recharge
CS27K3E-PFV	208/230-1	9.4	9.3	15.1	7.5	7.5	1/2	3/4		55	51
AHA7514AXD	208/230-1			14.5	7.5	7.5	3/8	1 1/4		45	
AHA7524JXB	208/230-1										
H13A343BBC											
M13A143BBC	208/230-1										
M50A273BBC											
M53A223BBC	208/230-1										
M53A273BBC	208/230-1										
CS27K3E-TF5	200/230-3	9.4	9.3	15.1	7.5	7.5	1/2	3/4		55	51
AHA7514AXF	208/230-3			14.5	7.5	7.5	3/8	1 1/4		45	
AHA7524JXF	208/230-3										
AVA7524ZXT											
M10A163DBL											
M13A163DBL											
M50A273DBD											
M53A27DBD	208/230-3										
M53A273DBD	200/230-3										
CS27K3E-TFD	460-3	9.4	9.3	15.1	7.5	7.5	1/2	3/4		55	51
M53A27DBE	460-3										
M53A273DBE	460-3										
M10A153DBE											
CS33K3E-PFV	200/230-1	9.4	9.3	15.3	7.5	7.5	1/2	7/8		55	51
AGA4534AXN	208/230-1			15.5	7.5	7.5	1/2	1 1/4		65	
H13A393BBC	208/230-1										
M13A163BBC	208/230-1										
M10A163BBC											
M53A303BBC	208/230-1										
M66A323BBC	208/230-1										

Compressor Data

Models	R502		R404A				R402		R507					
	App	BTUH	App	RLA	BTUH	Watts	Amps	App	BTUH	App	RLA	BTUH	Watts	Amps
CS27K3E-PFV <i>AHA7514AXD</i> <i>AHA7524JXB</i> <i>H13A343BBC</i> <i>M13A143BBC</i> <i>M50A273BBC</i> <i>M53A223BBC</i> <i>M53A273BBC</i>			EMT	23.9	26460	4430	20.2							
			MT		26460					EMT	23.9	27300	4510	20.7
			MT(1)		21930									
		MT	23500											
		MT(1)	23185											
		MT(1)	19440											
		MT(1)	23852											
CS27K3E-TF5 <i>AHA7514AXF</i> <i>AHA7524JXF</i> <i>AVA7524ZXT</i> <i>M10A163DBL</i> <i>M13A163DBL</i> <i>M50A273DBD</i> <i>M53A27DBD</i> <i>M53A273DBD</i>			EMT	15.6	26010	4340	12.5							
			MT		26010					MT	15.6	26800	4380	13.4
			MT(1)		21550									
		MT	23500											
				MT		24000								
		MT(1)	23185											
		MT(1)	23986											
CS27K3E-TFD <i>M53A27DBE</i> <i>M53A273DBE</i> <i>M10A153DBE</i>			EMT	8.5	26500	4340	6.3							
			MT(1)		21550					MT	8.5	26800	43380	6.7
		MT(1)	23852											
CS33K3E-PFV <i>AGA4534AXN</i> <i>H13A393BBC</i> <i>M13A163BBC</i> <i>M10A163BBC</i> <i>M53A303BBC</i> <i>M66A323BBC</i>			EMT	30.7	31600	5290	25.3							
			MT(1)		26260					EMT	30.7	32600	5390	25.8
		MT(1)	27119											
				MT(1)		28640								

Above models are also approved for additional refrigerants, see page 138.

Compressor Data

Model	Volts/ Phase	Dimensions (inches)			Mounting (inches)		Connections (inches)		Oil Type	Oil Charge (ounces)	
		L	W	H	L	W	Disch	Suct		Initial	Recharge
CS27K3E-PFV	208/230-1	9.4	9.3	15.1	7.5	7.5	1/2	3/4		55	51
<i>AHA7514AXD</i>	208/230-1			14.5	7.5	7.5	3/8	1 1/4		45	
<i>AHA7524JXB</i>	208/230-1										
<i>H13A343BBC</i>											
<i>M13A143BBC</i>	208/230-1										
<i>M50A273BBC</i>											
<i>M53A223BBC</i>	208/230-1										
<i>M53A273BBC</i>	208/230-1										
CS27K3E-TF5	200/230-3	9.4	9.3	15.1	7.5	7.5	1/2	3/4		55	51
<i>AHA7514AXF</i>	208/230-3			14.5	7.5	7.5	3/8	1 1/4		45	
<i>AHA7524JXF</i>	208/230-3										
<i>AVA7524ZXT</i>											
<i>M10A163DBL</i>											
<i>M13A163DBL</i>											
<i>M50A273DBD</i>											
<i>M53A27DBD</i>	208/230-3										
<i>M53A273DBD</i>	200/230-3										
CS27K3E-TFD	460-3	9.4	9.3	15.1	7.5	7.5	1/2	3/4		55	51
<i>M53A27DBE</i>	460-3										
<i>M53A273DBE</i>	460-3										
<i>M10A153DBE</i>											
CS33K3E-PFV	200/230-1	9.4	9.3	15.3	7.5	7.5	1/2	7/8		55	51
<i>AGA4534AXN</i>	208/230-1			15.5	7.5	7.5	1/2	1 1/4		65	
<i>H13A393BBC</i>	208/230-1										
<i>M13A163BBC</i>	208/230-1										
<i>M10A163BBC</i>											
<i>M53A303BBC</i>	208/230-1										
<i>M66A323BBC</i>	208/230-1										

Compressor Data

Model	R12				R134a				R22					
	App	RLA	BTUH	Watts Amps	App	RLA	BTUH	WattsAmps	App	RLA	BTUH	Watts Amps		
CS33K3E-TFC	TBD													
CS33K3E-TF5					HT	20.7	35300	3890	11.5					
					MT(1)		16100							
AGA4534AXT			33700	3500	10.4									
AGA4534AXT	HT		36620											
H13A393DBL	HT		36620											
M13A163DBL	MT(1)		14454											
M66A323DBL														
M53A303DBL														
CS33K3E-TFD					HT	9.9	35300	3890	5.7	MT	9.9	32300	4580	6.9
AVA2512ZXG														
H13A393DBE	HT		36620											
M66A323DBE														

Above models are also approved for additional refrigerants, see page 144.

Compressor Data

Model	Volts/ Phase	Dimensions (inches)			Mounting (inches)		Connections (inches)		Oil Type	Oil Charge (ounces)	
		L	W	H	L	W	Disch	Suct		Initial	Recharge
CS33K3E-TFC											
CS33K3E-TF5	200/230-3	9.4	9.3	15.3	7.5	7.5	1/2	7/8		55	51
AGA4534AXT	200/230-3			15.5	7.5	7.5	1/2	1 1/4		65	
AGA4534AXT											
H13A393DBL											
M13A163DBL	200/230-3										
M66A323DBL	200/230-3										
M53A303DBL	200/230-3										
CS33K3E-TFD	460-3	9.4	9.3	15.3	7.5	7.5	1/2	7/8		55	51
AVA2512ZXG											
H13A393DBE											
M66A323DBE	460-3										

Compressor Data

Models	R502		R404A				R402		R507					
	App	BTUH	App	RLA	BTUH	Watts	Amps	App	BTUH	App	RLA	BTUH	Watts	Amps
CS33K3E-TFC														
CS33K3E-TF5			EMT	20.7	31100	5140	16.2							
			MT(1)		25810					EMT	20.7	32100	5300	15.5
AGA4534AXT														
AGA4534AXT														
H13A393DBL														
M13A163DBL														
M66A323DBL			MT(1)		28640									
M53A303DBL														
CS33K3E-TFD			EMT	9.9	31100	5140	8.1							
			MT(1)		25810					EMT	9.9	32100	5300	7.8
			LT		11420									
AVA2512ZXG			LT		12500									
H13A393DBE														
M66A323DBE			MT(1)		29088			MT(1)	25810					

Above models are also approved for additional refrigerants, see page 142.

Compressor Data

Model	Volts/ Phase	Dimensions (inches)			Mounting (inches)		Connections (inches)		Oil Type	Oil Charge (ounces)	
		L	W	H	L	W	Disch	Suct		Initial	Recharge
CS33K3E-TFC CS33K3E-TF5	200/230-3	9.4	9.3	15.3	7.5	7.5	1/2	7/8		55	51
<i>AGA4534AXT</i> <i>AGA4534AXT</i> <i>H13A393DBL</i> <i>M13A163DBL</i> <i>M66A323DBL</i> <i>M53A303DBL</i>	200/230-3 200/230-3 200/230-3 200/230-3			15.5	7.5	7.5	1/2	1 1/4		65	
CS33K3E-TFD	460-3	9.4	9.3	15.3	7.5	7.5	1/2	7/8		55	51
<i>AVA2512ZXG</i> <i>H13A393DBE</i> <i>M66A323DBE</i>	460-3										

Compressor Data

“CF” Compressors

Model	R502		R404A				Volts/ Phase	Dimensions (inches)			Mounting (inches)		Connections (inches)		Oil Type	Oil Charge (ounces)	
	App	BTUH	App	RLA	BTUH	Watts		Amps	L	W	H	L	W	Disch		Suct	Initial
CF04K6E-PFV																	
CF04K6E-TF5 <i>AWA2440ZXT</i>			LT	7.0	3660	1030	4.1	200/230-3	10.3	9.1	13.3	7.5	7.5	3/8	3/4	POE	45 43
			LT		3600	1140	3.8	200/230-3									
CF06K6E-PFV			LT	11.4	6690	1740	8.0	208/230-1	10.3	9.1	13.3	7.5	7.5	3/8	3/4	POE	45 43
<i>AHA2465ZXB</i>	LT(1)	5370	LT	10.7	6580	2170	10.7	230-1						3/8	1 1/4		45
<i>AWA2460ZXD</i>			LT		6300	1800	8.2	208/230-1									
<i>L51B752BBC</i>	LT(1)	5700	LT(1)		5700			208/230-1									
<i>L61B752BBC</i>								208/230-1									
CF06K6E-TF5			LT	7.0	6360	1630	5.3	200/230-3	10.3	9.1	13.3	7.5	7.5	3/8	3/4	POE	45 43
<i>AHA2465ZXF</i>	LT(1)	5030	LT	6.0	6450	2050	6.0	208/230-3						3/8	1 1/4		45
<i>AWA2460ZXT</i>			LT		6000	1630	5.6	200/230-3									
<i>L51B752DBL</i>	LT(1)	5565	LT(1)		5565			200/230-3									
<i>L61B752DBL</i>								200/230-3									
CF06K6E-TFD			LT	3.7	6320	1630	2.7	460-3	10.3	9.1	13.3	7.5	7.5	3/8	3/4	POE	45 43
CF09K6E-PFV			LT	16.7	9800	2470	11.2	208/230-1	10.3	9.1	13.8	7.5	7.5	1/2	3/4	POE	45 43
<i>AHA2490ZXD</i>	LT(1)	7960	LT	14.2	9400	2840	14.2	208/230-1						3/8	1 1/4		45
<i>AVA2490ZXXN</i>			LT		9500	2575	11.4	208/230-1									
<i>L53A113BBC</i>	LT(1)	8025	LT(1)		8025			208/230-1									
<i>L63A113BBC</i>								208/230-1									
CF09K6E-TF5			LT	10.2	9620	2370	7.6	200/230-3	10.3	9.1	13.8	7.5	7.5	1/2	3/4	POE	45 43
<i>AHA2490ZXF</i>	LT(1)	7820	LT	8.1	9100	2610	8.1	208/230-3						3/8	1 1/4		45
<i>AVA2490ZXT</i>			LT		9100	2440	7.4	200/230-3									
<i>L53A113DBL</i>	LT(1)	8100	LT(1)		8100			200/230-3									
<i>L63A113DBL</i>								200/230-3									
CF09K6E-TFD			LT	5.5	9620	2370	3.8	460-3	10.3	9.1	13.8	7.5	7.5	1/2	3/4	POE	45 43
<i>L53A113DBE</i>	LT(1)	7820	LT(1)		8100			460-3									
<i>L63A113DBE</i>	LT(1)	8100	LT(1)		8100			460-3									
CF12K6E-PFV			LT		12700	3250	16.1	208/230-1									
<i>AVA2512ZXXN</i>			LT		12500	3350	16.9	208/230-1									
CF12K6E-TF5			LT		12200	3030	10.2	200/230-3									
<i>AVA2512ZXT</i>			LT		12000	3230	9.3	200/230-3									
CF12K6E-TFD			LT		12200	3030	10.2	460-3									

Compressor Data

“CT” Compressors

Model	Two Speed	R22					Volts/ Phase	Dimensions (inches)			Mounting (inches)		Connections (inches)		Oil Type	Oil Charge (ounces)	
		App	RLA	BTUH	Watts	Amps		L	W	H	L	W	Disch	Suct		Initial	Rechg.
CTH1-0275-CSV	High	AC	7.1	34520	3410	14.9	208/230-1	11.38	10.5	16.63	7.5	7.5	1/2	7/8	MO	70	66
	Low	AC	17.6	16660	1680	8.1											
CTH1-0275-TSC	High	AC	6.3	34270	3285	9.1	208/230-3	11.38	10.5	16.63	7.5	7.5	1/2	7/8	MO	70	66
	Low	AC	12.7	16890	1640	6.8											
CTL1-0350-CSV	High	AC	10.2	48840	4725	21	208/230-1	11.38	10.5	16.63	7.5	7.5	1/2	7/8	MO	70	66
	Low	AC	21.6	22190	2290	11.7											
CTL1-0350-TSC	High	AC	8.5	48240	4735	13.2	208/230-3	11.38	10.5	16.63	7.5	7.5	1/2	7/8	MO	70	66
	Low	AC	15.7	23160	2190	9.2											
CTM1-0400-CSV	High	AC	12.5	55000	5360	25	208/230-1	11.38	10.5	16.63	7.5	7.5	1/2	7/8	MO	70	66
	Low	AC	34.3	25800	2555	13											
CTM1-0400-TSC	High	AC	11.3	54000	5275	14.7	208/230-3	11.38	10.5	16.63	7.5	7.5	1/2	7/8	MO	70	66
	Low	AC	22.1	26725	2425	10.2											
CTN1-0500-CSV	High	AC	13.8	61850	6480	31.7	208/230-1	11.38	10.5	16.63	7.5	7.5	1/2	7/8	MO	70	66
	Low	AC	32.1	29300	3030	15.6											
CTN1-0500-TSC	High	AC	11.7	62100	6410	17.9	208/230-3	11.38	10.5	16.63	7.5	7.5	1/2	7/8	MO	70	66
	Low	AC	22.6	30550	2915	12.3											

Wholesaler Notes

Welded BR Compressors (R-22 High Temperature)

Performance and Electrical Summary

Model	Volts 3 Ph/60 Hz	BTUH	Watts	Amps	EER	RLA	LRA
BRD2-0750-TFC	208/230	89900	8740	26.3	10.3	30.1	183.0
BRD2-0750-TFD	380/460	89900	8740	13.2	10.3	15.8	91.1
BRD2-0750-TFE	575	89900	8740	10.5	10.3	12.4	73.3
BRE2-0750-TFC	208/230	97100	9430	27.8	10.3	30.1	183.00
BRE2-0750-TFD	380/460	97100	9430	13.9	10.3	15.8	91.1
BRE2-0750-TFE	575	97100	9430	11.1	10.3	12.4	73.3
BRE4-0750-TFC	208/230	97000	9430	27.8	10.3	30.1	183.0
BRE4-0750-TFD	380/460	97000	9430	13.9	10.3	15.8	91.1
BRE4-0750-TFE	575	97000	9430	11.1	10.3	12.4	73.3
BRG2-0900-TFC	208/230	110000	10700	31.4	10.3	38.5	193.0
BRG2-0900-TFD	380/460	110000	10700	15.7	10.3	19.3	96.5
BRG2-0900-TFE	575	110000	10700	12.6	10.3	14.4	77.2
BRH2-1000-TFC	208/230	125000	15900	35.3	7.9	42.1	207.0
BRH2-1000-TFD	460	125000	15900	17.6	7.9	21.1	104.0
BRH2-1000-TFE	575	125000	15900	14.1	7.9	16.9	82.8
BRK1-1200-TSE	575	150000	16300	19.4	9.2	21.4	108.00
BRK2-1200-TFC	208-230	150000	16300	48.5	9.2	42.0	267.0
BRK2-1200-TFD	380/460	150000	16300	24.2	9.2	27.6	135.0

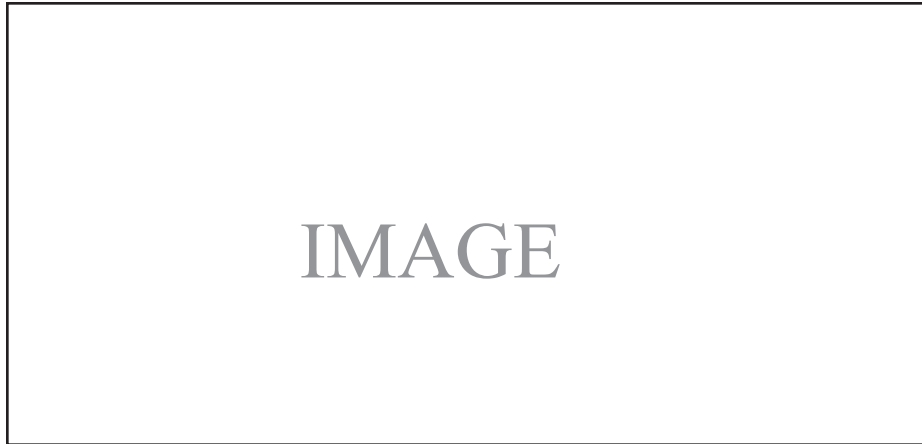
Rating conditions (F): 45 Evap/130 Cond/65 Return Gas/130 Liquid/95 Ambient
RLA is Rated Load Amps, LRA is Locked Rotor Amps

Mechanical Specifications and Dimensions

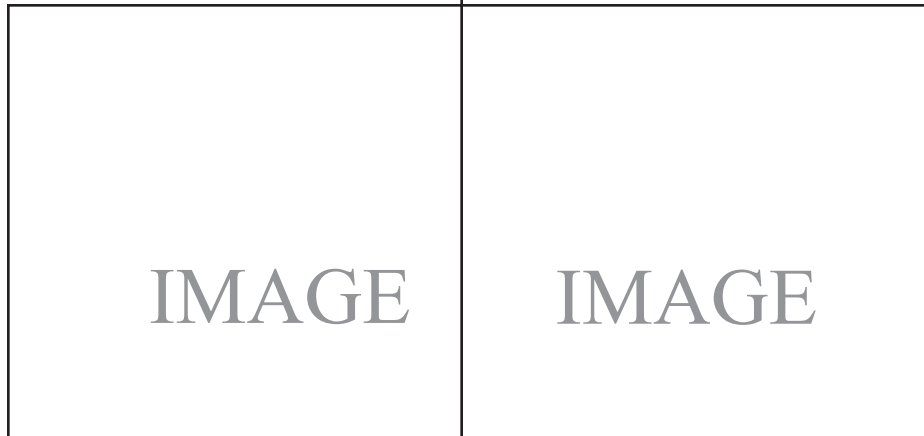
Model	Overall Dimensions (In.)			Mounting Dim. (In.)		Connections (In.)		Ship
	L	W	H	L	W	Disch	Suct	Wt. (Lb.)
BRD2-0750	14.3	13.3	18.4	8.7	8.7	1 1/8	3/4	169
BRE2-0750	14.3	13.3	18.4	8.7	8.7	1 1/8	3/4	169
BRE4-0750	14.3	13.3	18.4	8.7	8.7	1 1/8	3/4	169
BRG2-0900	14.3	13.3	18.4	8.7	8.7	1 1/8	3/4	169
BRH2-1000	14.3	13.3	18.4	8.7	8.7	1 1/8	3/4	174
BRK1-1200	14.3	13.3	18.4	8.7	8.7	1 1/8	3/4	179
BRK2-1200	14.3	13.3	18.4	8.7	8.7	1 1/8	3/4	179

BR to ZR Cross Reference

BR Model	ZR Model
BRD2-0750	ZR90K3
BRE2-0750	ZR11M3
BRE4-0750	ZR11M3
BRG2-0900	ZR11M3
BRH2-1000	ZR12M3
BRK1-1200	ZR16M3
BRK2-1200	ZR16M3



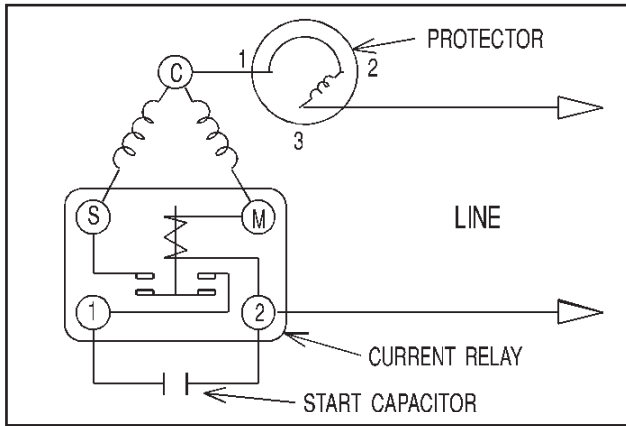
Typical BR Family



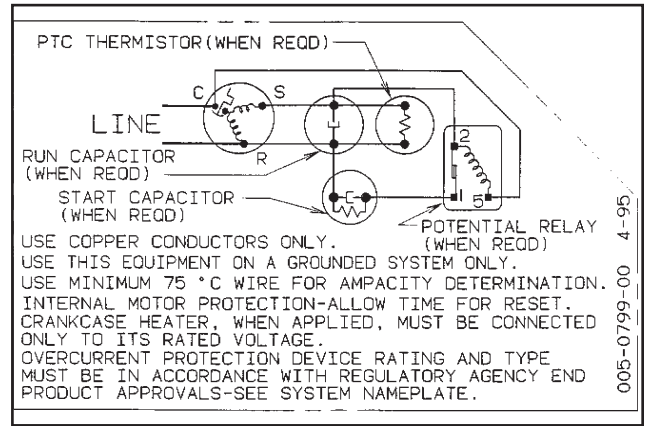
**Typical Three Phase
(BR)**

Wholesaler Notes

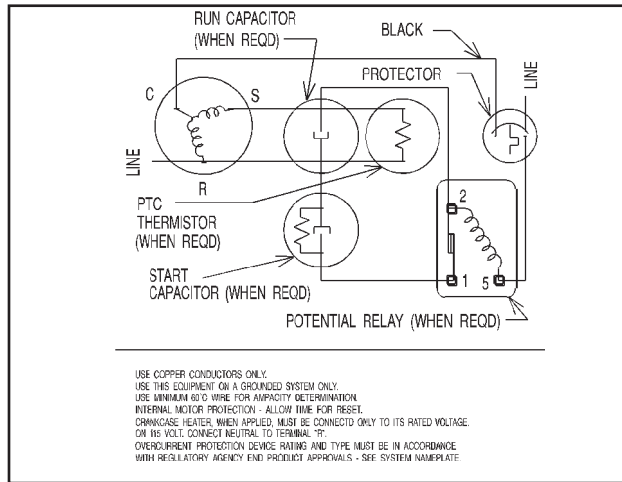
"A" Electrical Diagrams



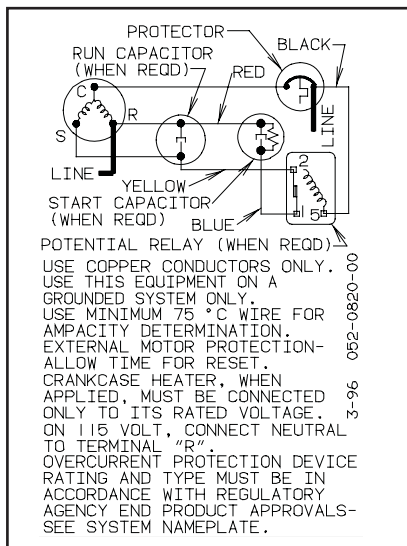
**"A" COMPRESSOR SINGLE PHASE
IAA/IV**



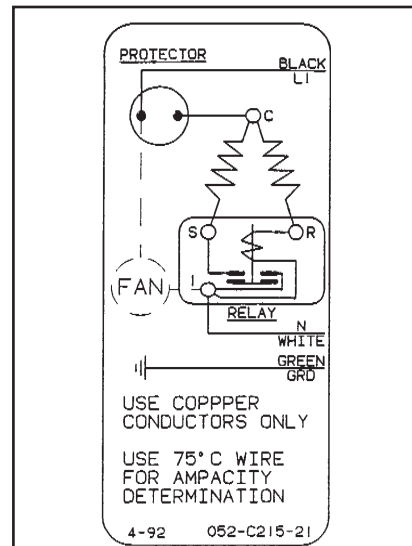
**"A" COMPRESSOR SINGLE PHASE
CFA/CFV**



**"A" COMPRESSOR SINGLE PHASE
PAA/PAV**

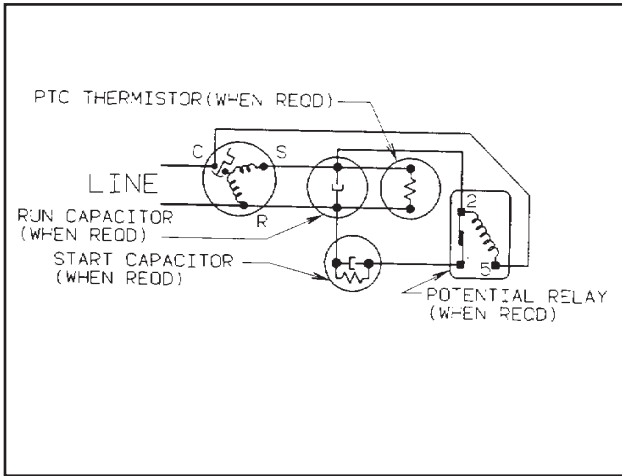


**"A" COMPRESSOR SINGLE PHASE
CAA/CAV**

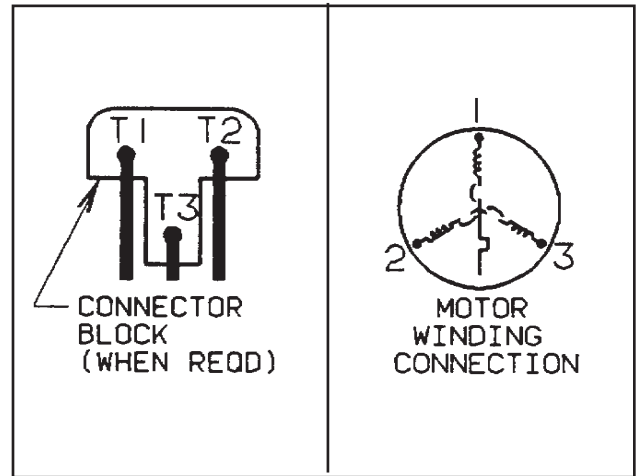


**"A" COMPRESSOR SINGLE PHASE
SAA**

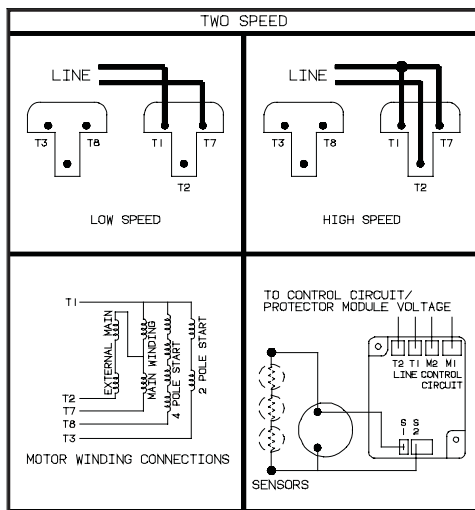
“C” Electrical Diagrams



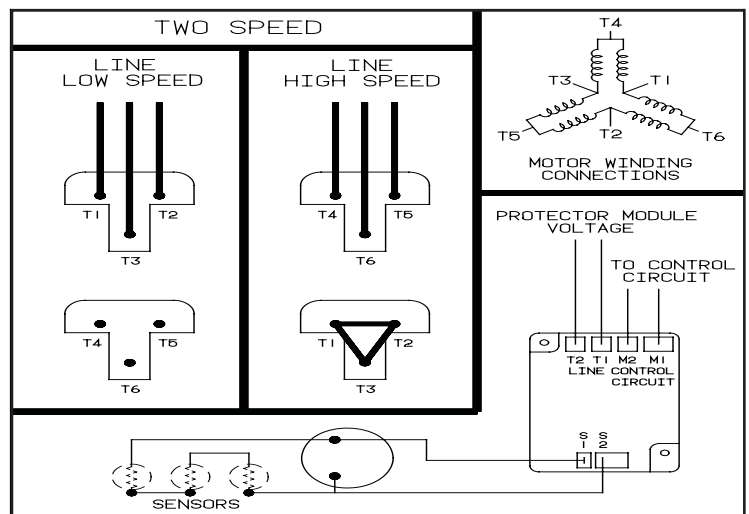
**CF and CR/S Family
(Single Phase)**



**CF and CR/S Family
(Three Phase)**

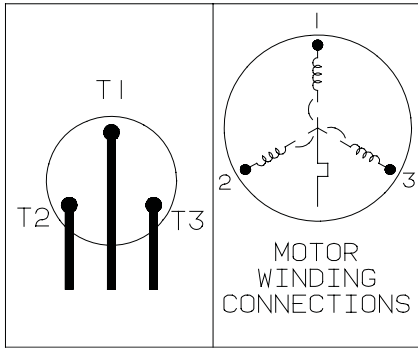


**CT Family
(Single Phase)**

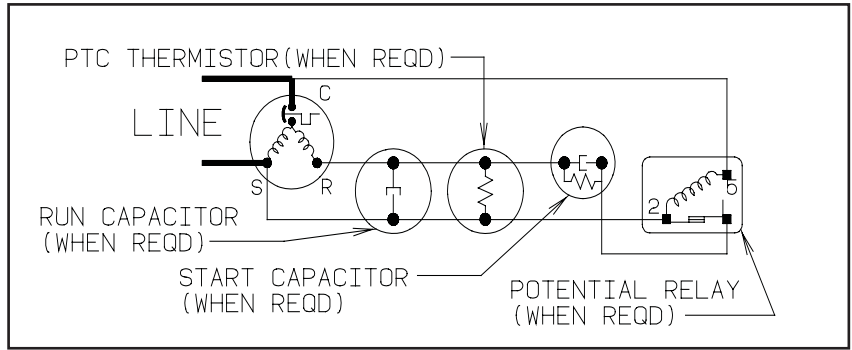


**CT Family
(Three Phase)**

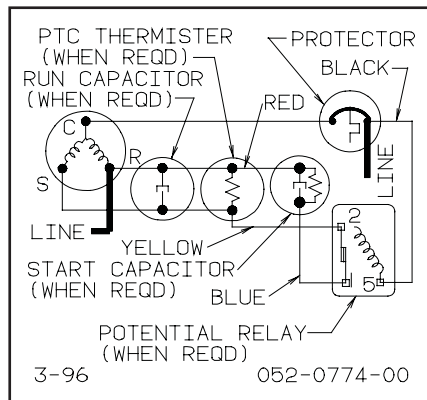
"R" Electrical Diagrams



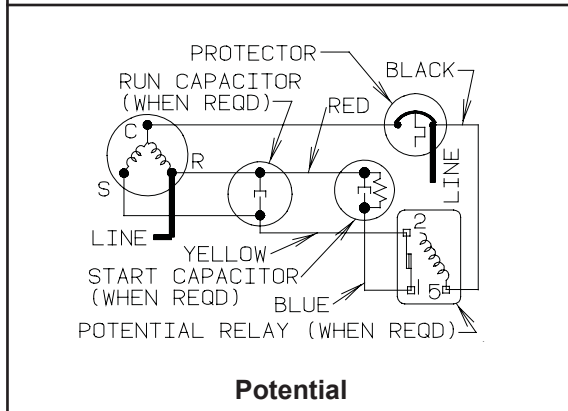
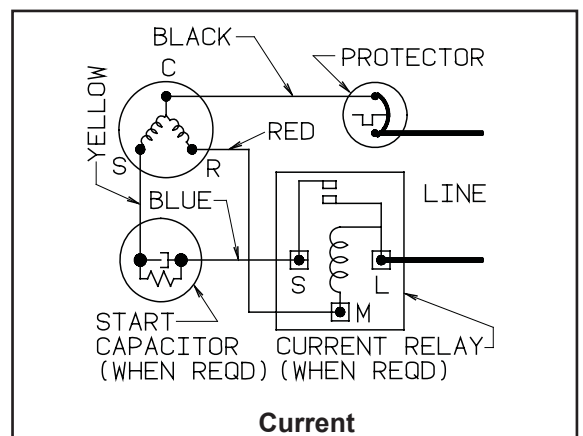
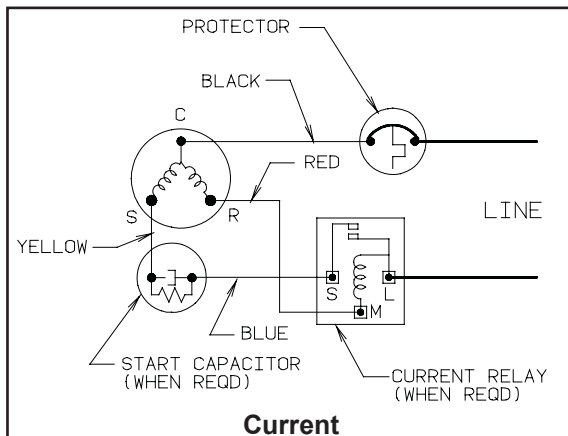
TF*



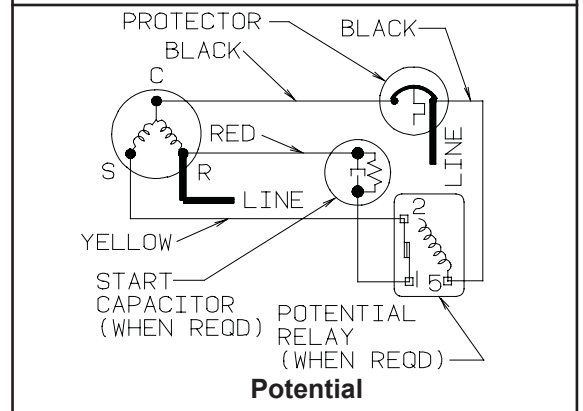
PF*



PA*



CA*



IA*

Figure 1

Model	A	B	C	D	E
AFB04C3E	7.0	7.4	3.7	4.1	N/A
AFB05C3E-IAA	7.4	7.8	3.7	4.1	N/A
AFB05C3E-SAA	7.4	7.8	3.7	4.1	N/A
AFE07C3E*	7.9	8.2	4.2	4.6	4.8
AFE10C3E*	7.9	8.2	4.2	4.6	4.8
AFE11C3E	7.4	7.8	3.7	4.1	N/A
AFE12C3	7.9	8.2	4.2	4.6	4.8
AFE13C3E	8.1	8.5	4.2	4.6	N/A
ARB10C3	7.0	7.4	3.7	4.1	N/A
ARB13C3E	7.0	7.4	3.7	4.1	N/A
ARB13C3-SAA	7.0	7.4	3.7	4.1	N/A
ARB17C3E	7.4	7.8	3.7	4.1	N/A
ARB17C3-SAA	7.4	7.8	3.7	4.1	N/A
ARB21C3	7.4	7.8	3.7	4.1	N/A
ARE25C3E*	7.4	7.8	3.7	4.1	4.3
ARE25C3-SAA	7.4	7.8	3.7	4.1	N/A
ARE27C3E*	7.4	7.8	3.7	4.1	4.3
ARE27C3-IAA*	7.4	7.8	3.7	4.1	4.3
ARE27C3-SAA	7.4	7.8	3.7	4.1	N/A
ARE36C3	7.4	7.8	3.7	4.1	N/A
ARE37C3*	7.4	7.8	3.7	4.1	4.3
ARE37C3E	7.4	7.8	3.7	4.1	4.3
ARE37C3-IAA*	7.4	7.8	3.7	4.1	4.3
ARE37C3-SAA	7.4	7.8	3.7	4.1	N/A
ARE41C3*	7.9	8.3	4.2	4.6	4.8
ARE41C3E	7.9	8.3	4.2	4.6	4.8
ARE43C3*	7.4	7.8	3.7	4.1	4.3
ARE47C3	7.4	7.8	3.7	4.1	N/A
ARE59C3*	8.1	8.5	4.2	4.6	4.8
ASB12C3E	7.4	7.8	3.7	4.1	N/A
ASB14C3E	7.4	7.8	3.7	4.1	N/A
ASE19C3E	7.9	8.3	4.2	4.6	N/A
ASE24C3E	7.4	7.8	3.7	4.1	N/A
ASE32C3E*	8.3	8.5	4.2	4.6	4.8

N/A — not available with suction valve.

*Service Valve Option

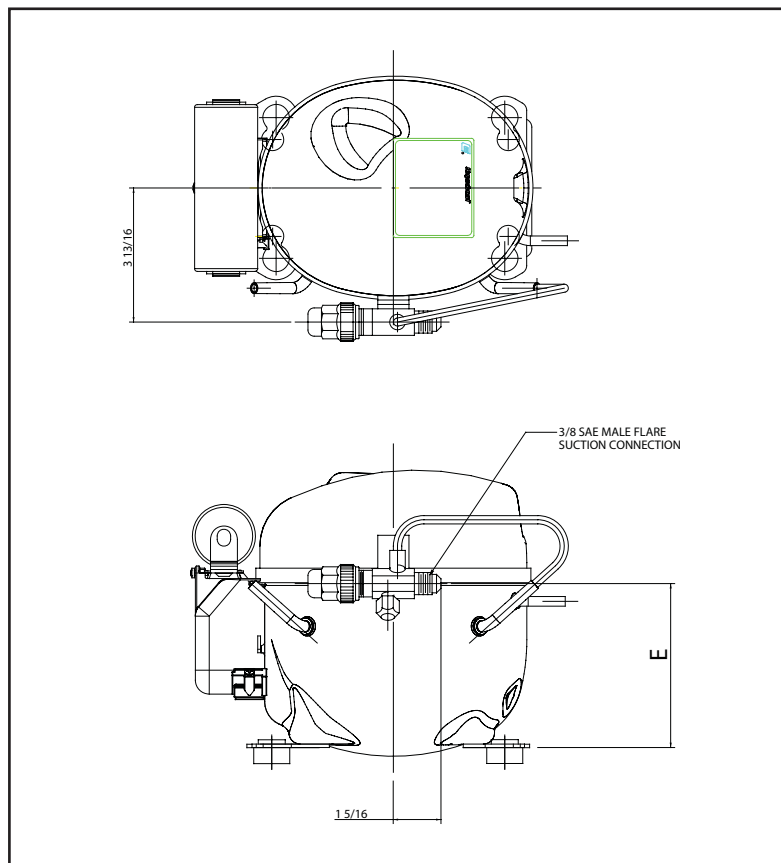
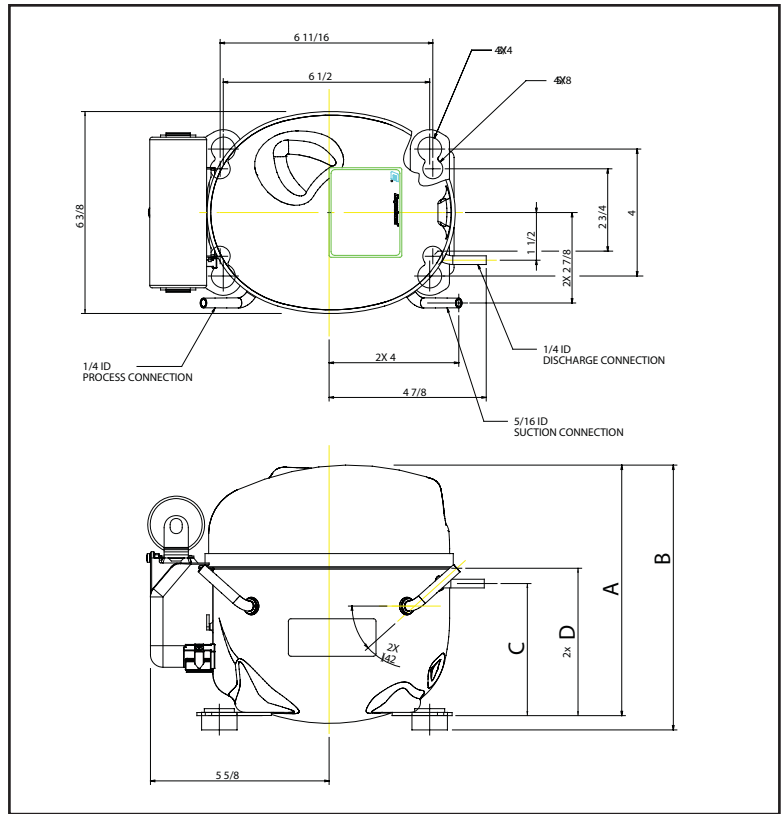
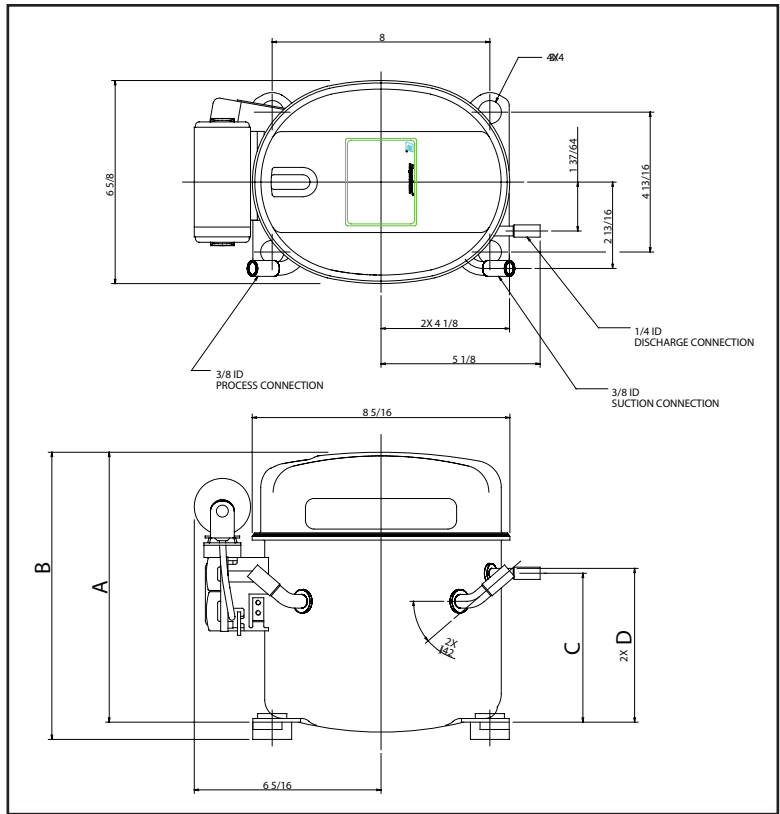


Figure 2

Model	A	B	C	D	E
AF12C1E*	5.2	7.9	7.4	7.4	3.4
AF18C1E	6.0	8.7	8.1	8.2	4.3
AFT12C1	7.9	8.6	4.0	4.1	3.4
AFT12C1E*	7.9	8.6	4.0	4.1	3.4
AFT18C1E	8.7	9.3	4.8	4.9	4.3
AR51C1E*	5.2	7.9	7.4	7.4	4.3
ARK1-0050*	8.7	9.3	4.8	4.9	4.3
AR62C1E	6.0	8.7	8.1	8.2	4.3
AR64C1E*	6.0	8.7	8.1	8.2	4.3
ART51C1*	7.9	8.6	4.0	4.1	3.4
ART62C1	8.7	9.3	4.8	4.9	4.3
ART51C1E*	7.9	8.6	4.0	4.1	4.3
ART62C1E	8.7	9.3	4.8	4.9	4.3
ART64C1E*	8.7	9.3	4.8	4.9	4.3
AS18C1E	8.7	9.3	4.8	4.9	4.3



*Service Valve Option

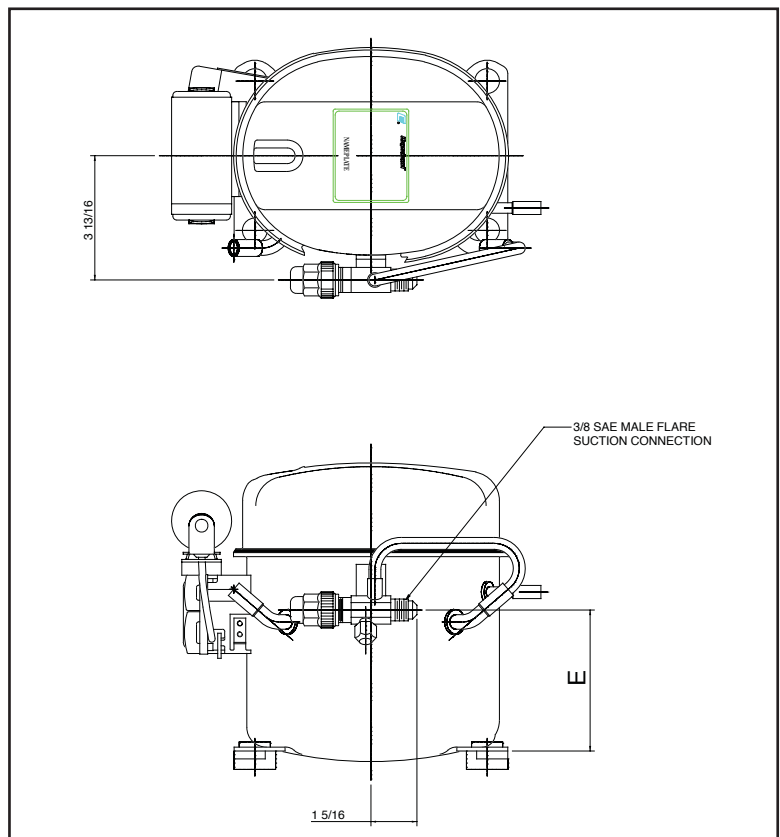
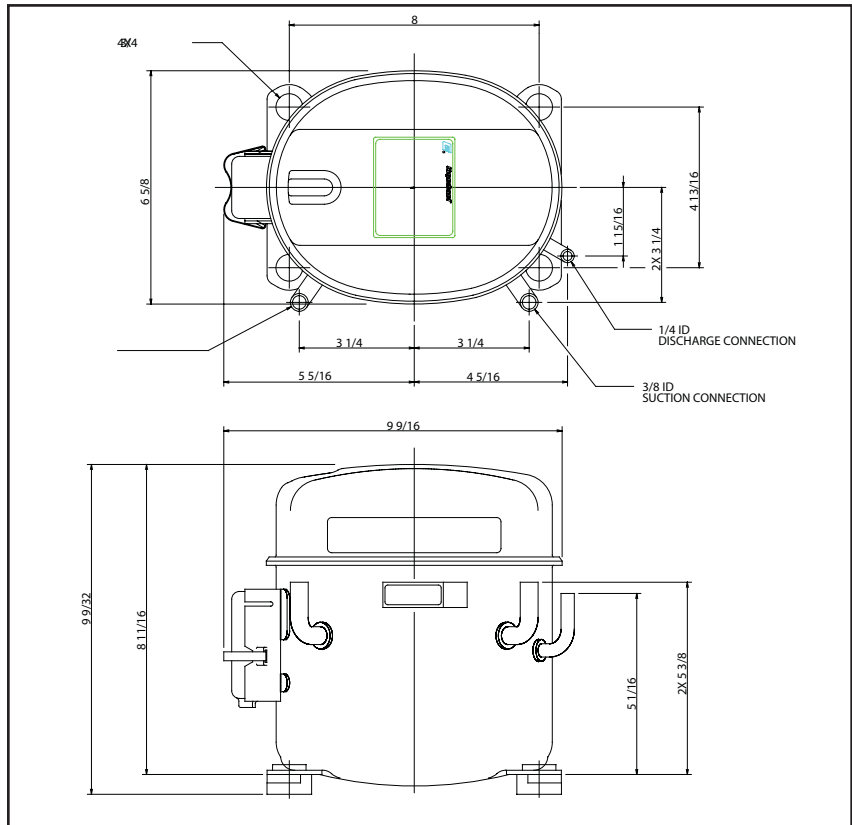


Figure 3

Model
ARM3-0076*
ARN3-0100*
ART69C1
ART82C1
ART97C1*
AS40C1E
AS45C1E*
AS54C1E
AST40C1E
AST45C1E*
AST54C1E
ARG4-0055
AS37C1E



*Service Valve Option

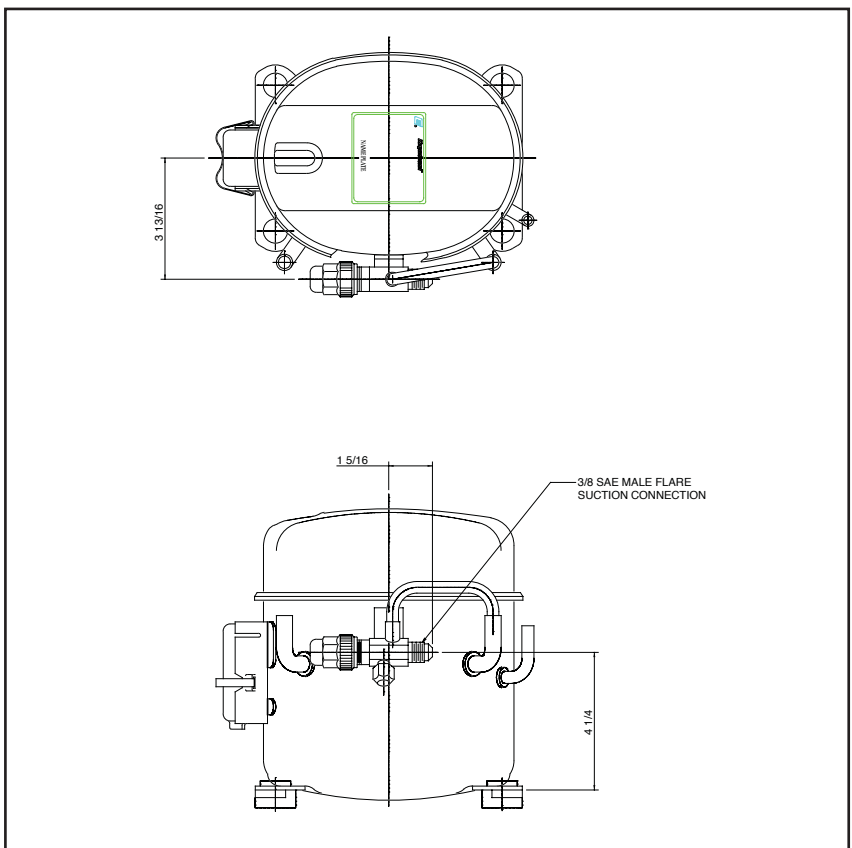
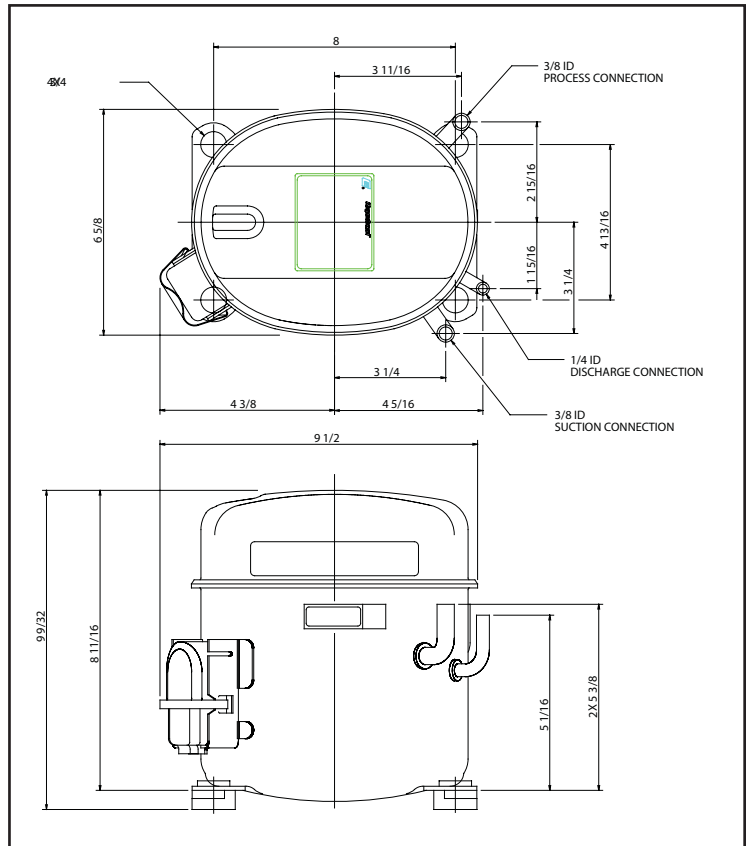


Figure 4

Model
AF22C1E*
AF26C1E*
AF29C1E
AFT22C1E*
AFT26C1E*
AFT29C1E
AS22C1E
AS26C1E
AS29C1E



*Service Valve Option

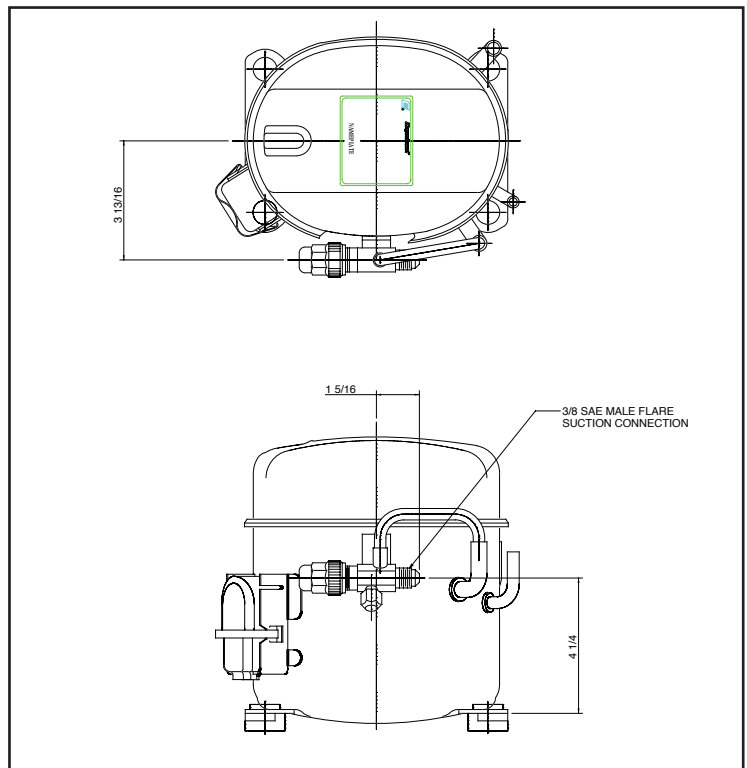
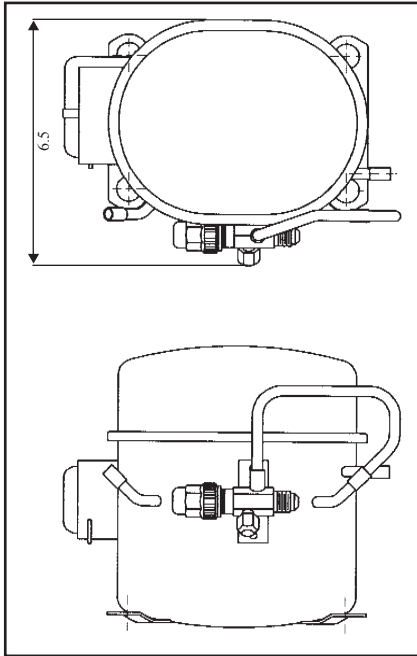
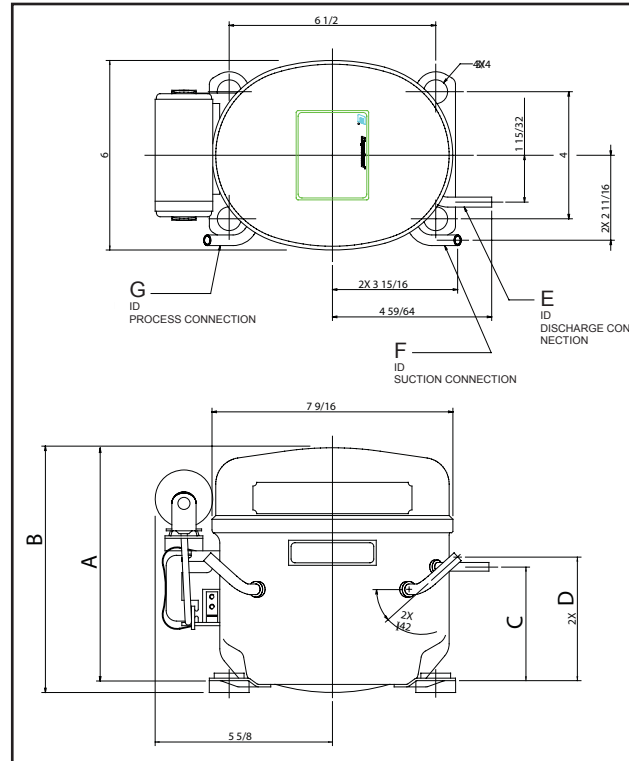


Figure 5

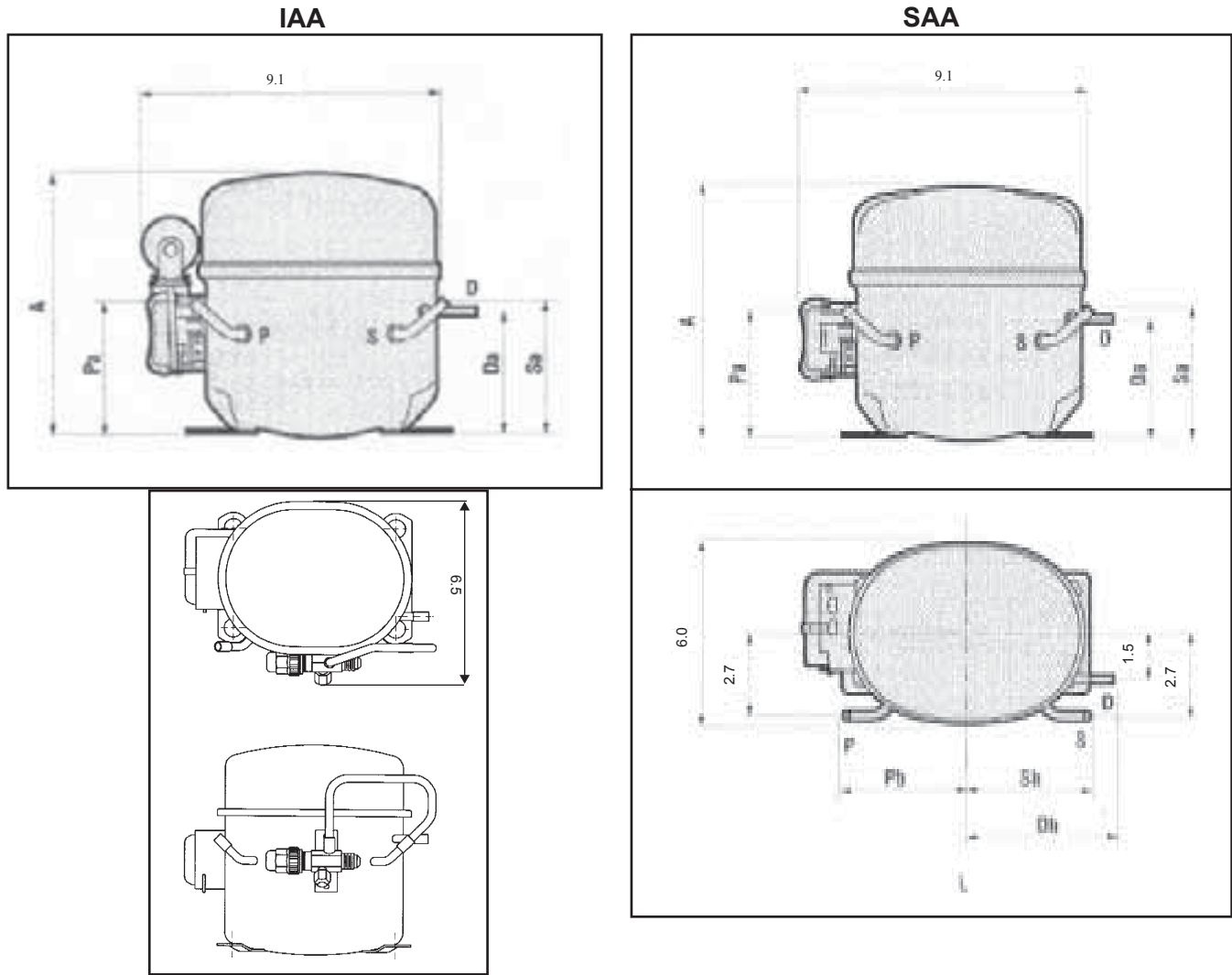


*Service Valve Option



Model	A	B	C	D	E	F	G
AF04C1E	7.0	7.4	3.3	3.6	0.19	0.25	0.31
AF05C1E-IAA	7.6	7.9	3.8	4.1	0.25	0.25	0.25
AF05C1E-SAA	7.6	7.9	3.8	4.1	0.19	0.25	0.31
AF07C1E	8.1	8.5	3.8	4.1	0.25	0.31	0.25
AF09C1E	8.1	8.5	3.8	4.1	0.25	0.31	0.25
AF10C2E	8.1	8.5	3.8	4.1	0.25	0.31	0.25
AF11C1E	7.9	8.3	3.5	3.8	0.19	0.31	0.31
AS10C1E	7.9	8.3	3.5	3.8	0.19	0.31	0.31
AF13C1E	7.9	8.3	3.5	3.8	0.25	0.31	0.25
AS13C1E	7.9	8.3	3.5	3.8	0.25	0.31	0.25
AR13C1E	7.0	7.4	3.3	3.6	0.19	0.25	0.25
AR17C1E	7.6	7.9	3.8	4.1	0.19	0.25	0.25
ARD4-0022	7.6	7.9	3.8	4.1	0.25	0.31	0.25
AR25C1E	7.6	7.9	3.8	4.1	0.19	0.25	0.31
AR27C1E	8.1	8.5	3.8	4.1	0.25	0.31	0.25
ARE4-0025	8.1	8.5	3.8	4.1	0.25	0.31	0.25
ARE5-0025	8.1	8.5	3.8	4.1	0.25	0.31	0.25
AR37C1E*	8.1	8.5	3.8	4.1	0.25	0.31	0.25
AR41C1E*	8.5	8.9	4.3	4.7	0.25	0.31	0.25
ARF4-0033*	8.1	8.5	3.8	4.1	0.25	0.31	0.25
ARG4-0048*	8.4	8.8	3.8	4.1	0.25	0.31	0.25
ARG4-0051*	8.6	8.9	4.3	4.6	0.25	0.31	0.31
AS12C1E	7.4	7.8	3.3	3.6	0.19	0.25	0.25
AS14C1E	7.4	7.8	3.3	3.6	0.19	0.25	0.25
AS19C1E	7.4	7.8	3.3	3.6	0.19	0.25	0.25
AS24C1E	7.9	8.3	3.5	3.8	0.25	0.31	0.25
AS32C1E*	8.4	8.8	4.1	4.4	0.25	0.31	0.31

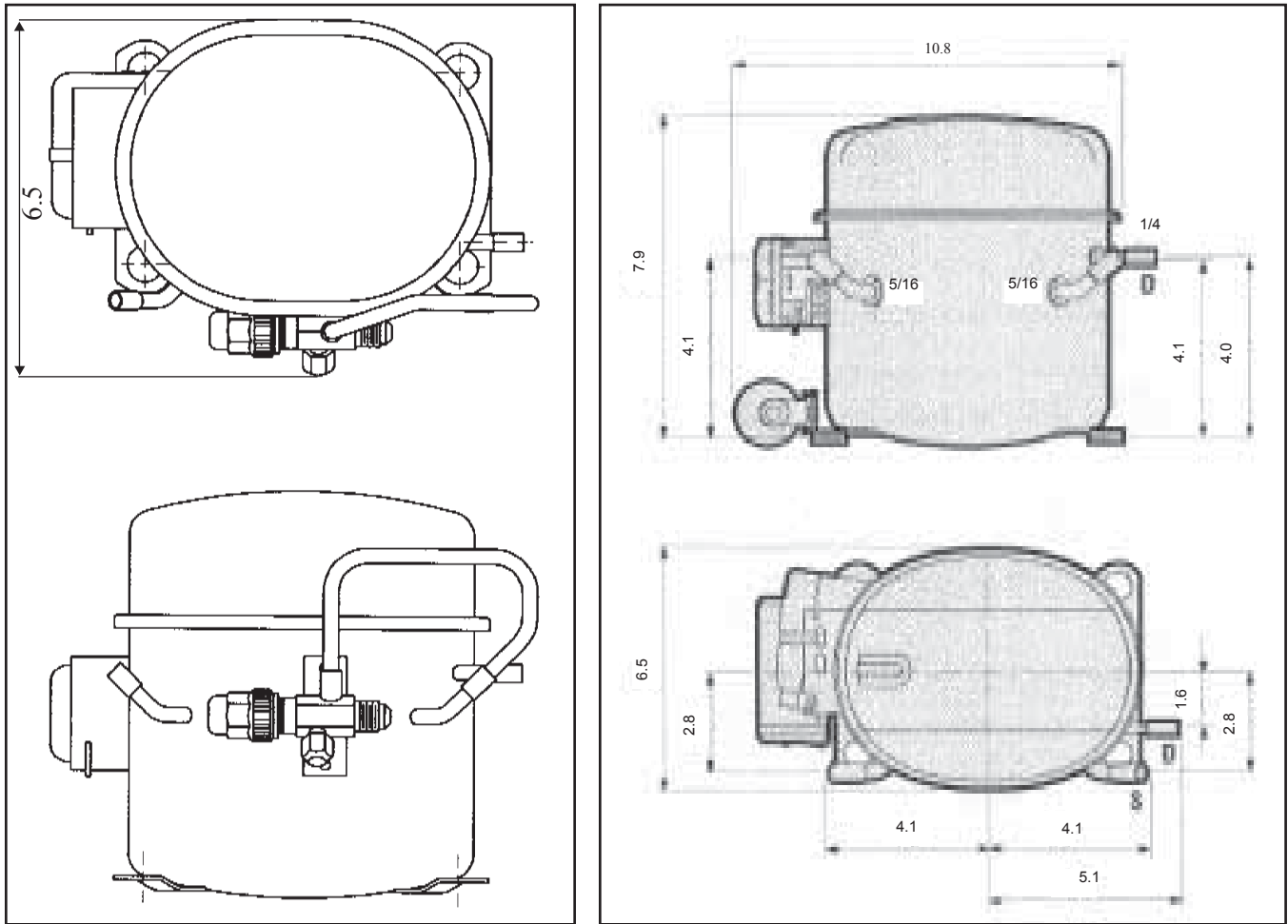
Figure 6



*Service Valve Option

Model	A	Sa	Da	Pa	S	P	D
AFC1-0013-SAA	7.0	3.5	3.2	3.5	0.24	0.24	0.19
ARC1-0017-SAA	7.0	3.5	3.2	3.5	0.24	0.24	0.19
AFD1-0017-SAA	7.0	3.5	3.2	3.5	0.24	0.24	0.19
ARD1-0020-SAA	7.6	4.1	3.8	4.1	0.31	0.24	0.24
AFE1-0023-SAA	7.6	4.1	3.8	4.1	0.24	0.24	0.19
ARE1-0023-SAA	7.6	4.1	3.8	4.1	0.24	0.24	0.19
ARF2-0025-SAA	7.9	3.9	3.6	3.9	0.31	0.25	0.25
ARF2-0025-IAA*	7.9	3.9	3.6	3.9	0.31	0.25	0.25
AFF1-0025-SAA*	7.6	4.1	3.8	4.1	0.24	0.24	0.19
AFG2-0026-IAA*	8.1	4.1	3.8	4.1	0.31	0.24	0.24
AFG2-0026-SAA	8.1	4.1	3.8	4.1	0.31	0.24	0.24
ARG2-0033-IAA*	8.1	4.1	3.8	4.1	0.31	0.24	0.24
ARG2-0033-SAA	8.1	4.1	3.8	4.1	0.31	0.24	0.24
AFH2-0033-IAA*	8.1	4.1	3.8	4.1	0.31	0.24	0.24
AFH2-0033-SAA	8.1	4.1	3.8	4.1	0.31	0.24	0.24

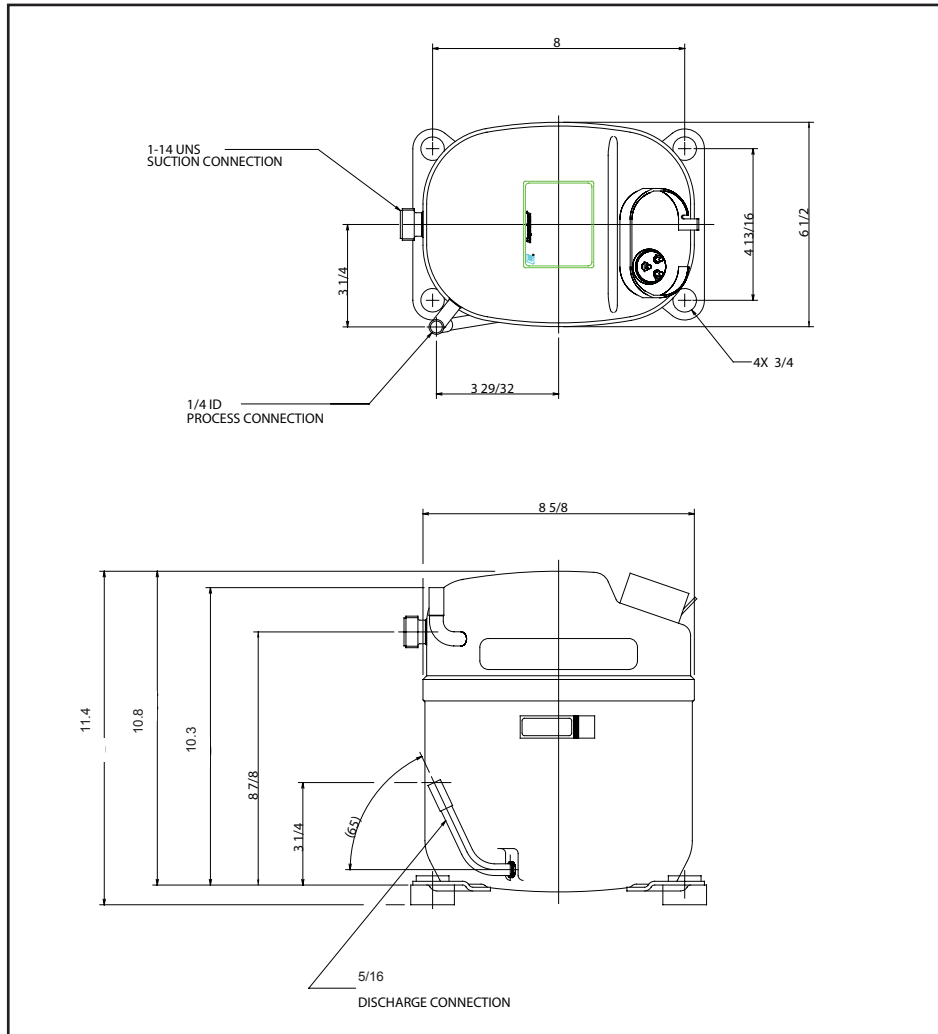
Figure 7



*Service Valve Option

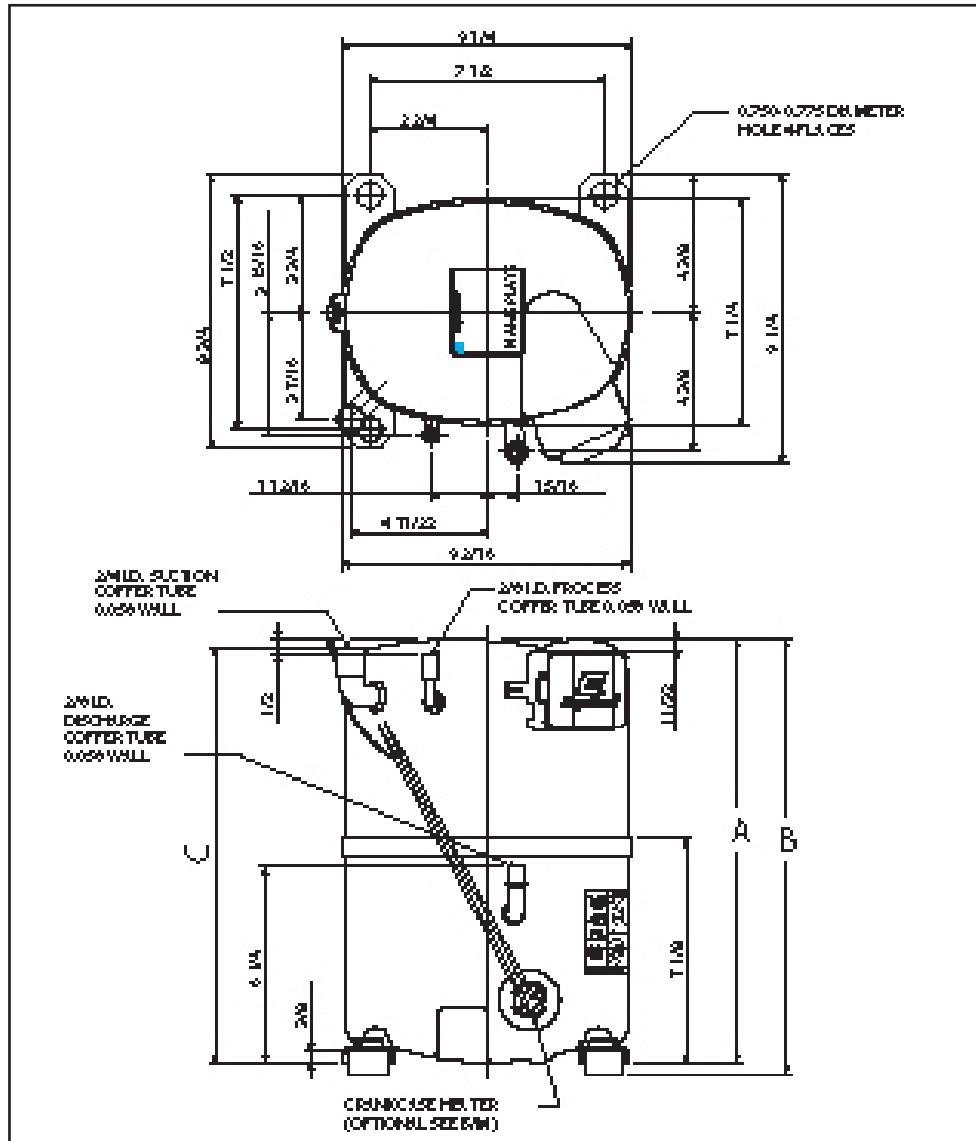
Model
ARH1-0049*
AFK1-0034*

Figure 8



Model
AFJ31C1E
AFJ37C1E
AFJ23C1
ARJ11K1E
ARJ84C1E
ARJ84C1
ARJ11K1
AF31C1E
AF37C1E
AFJ1-0050
AR11K1E
AR84C1E
ARM1-0075
ARN1-0100
AS31C1E

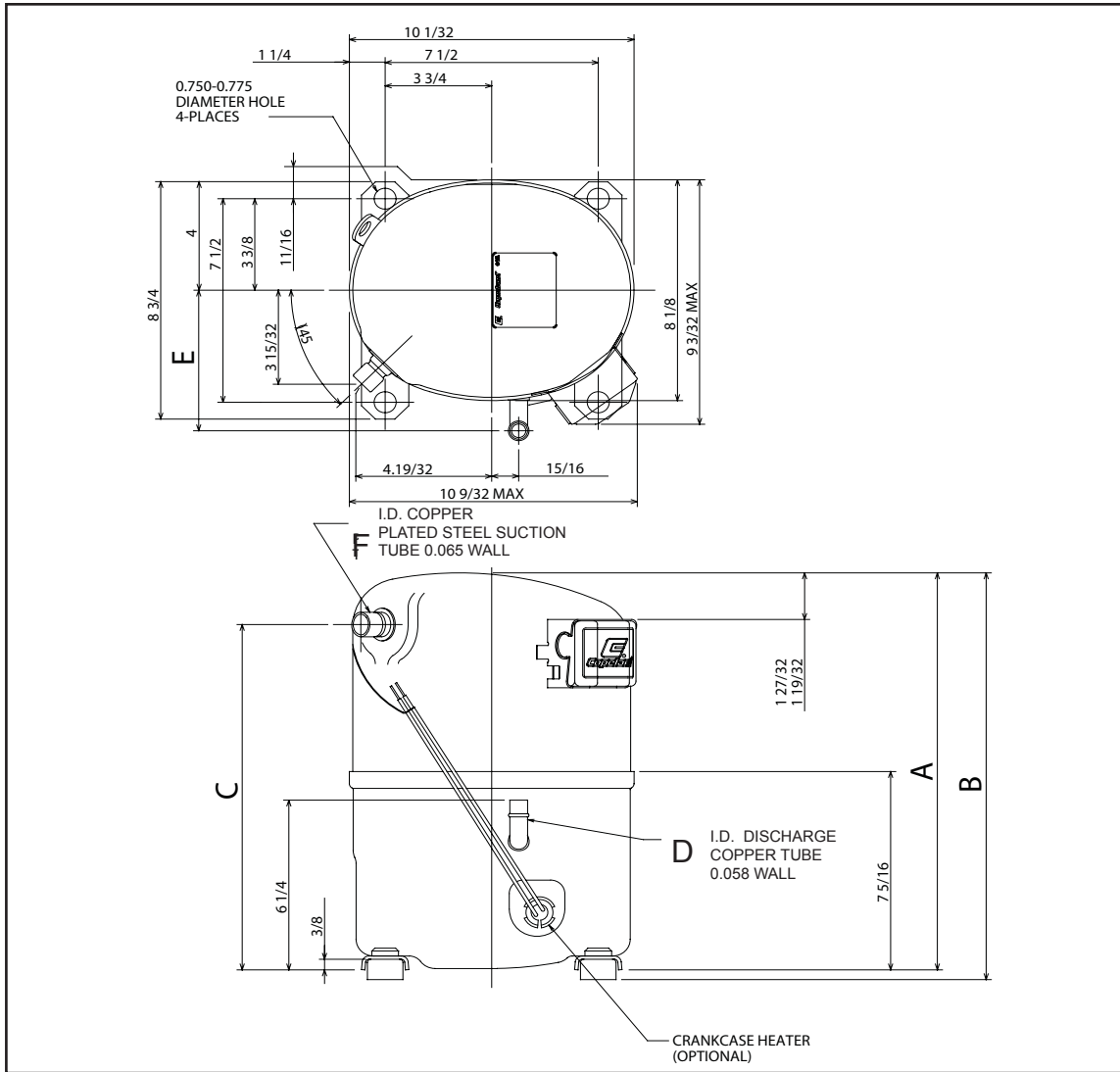
Figure 9



Model	A	B	C
CR33KQ-PFV	13.1	13.5	12.8
CR33KQ-TFD	13.8	14.1	13.4
CR33KQ-TF5	13.8	14.1	13.4
CR34KQ-PFV	13.4	13.8	13.1
CR34KQ-TFD	13.7	14.1	13.4
CR34KQ-TF5	14.0	14.4	13.7
CR36KQ-PFV	13.5	13.9	13.2
CR36KQ-TFD	14.3	14.6	13.9
CR36KQ-TF5	14.3	14.6	13.9
CR37KQ-PFV	13.6	14.0	13.3
CR37KQ-TFD	14.3	14.6	13.9

Model	A	B	C
CR37KQ-TF5	14.3	14.6	13.9
CR41KQ-PFV	13.9	14.3	13.6
CR41KQ-TFD	14.6	14.9	14.3
CR41KQ-TF5	14.6	14.9	14.3
CR47KQ	14.8	15.2	14.7
CR53KQ	14.8	15.2	14.7

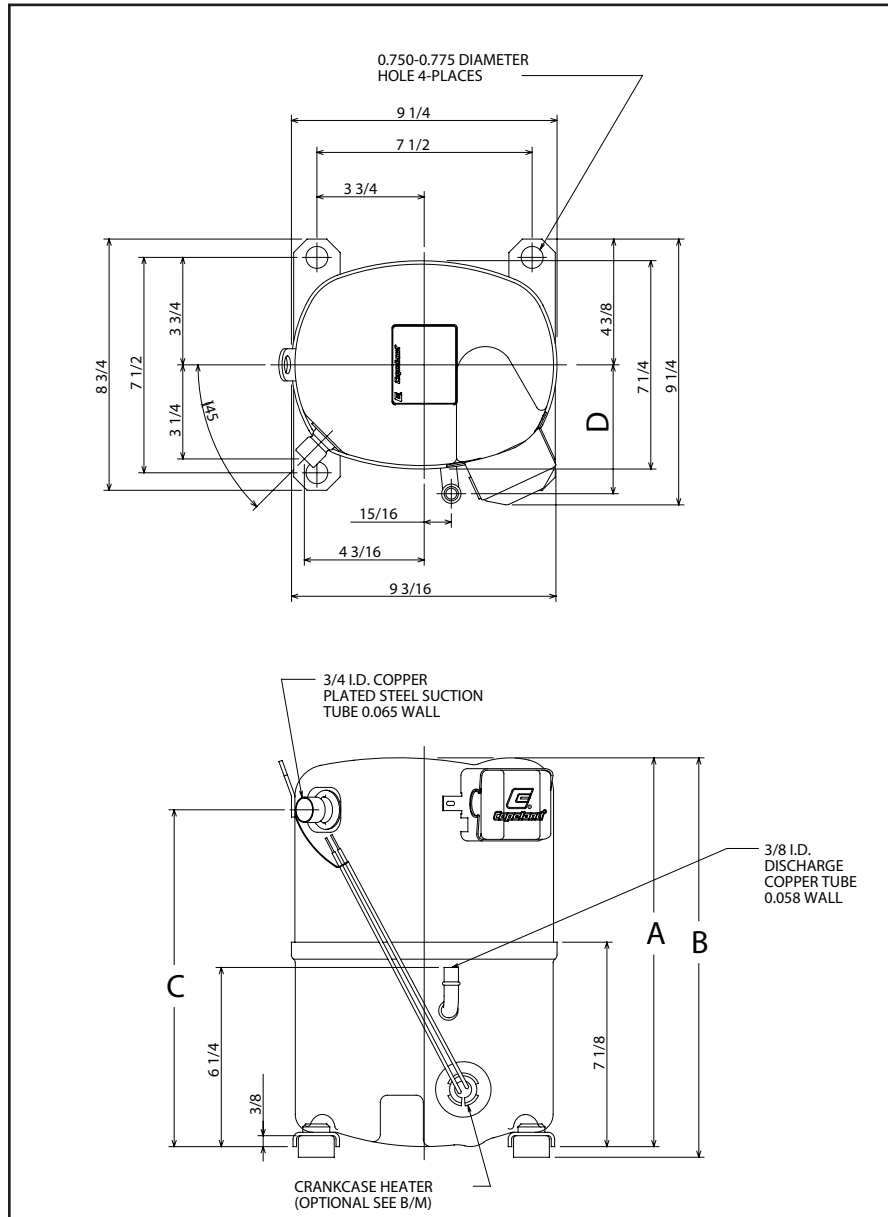
Figure 10



Model	A	B	C	D	E	F
CR16K6-PFV	13.2	13.6	11.3	.38	4.9	.75
CR18K6-PFV	13.2	13.6	11.3	.38	4.9	.75
CR20K6-PFV	13.3	13.7	11.4	.38	4.9	.75
CR22K6	13.3	13.7	11.4	.38	4.9	.75
CR24K6	13.4	13.8	11.5	.38	4.9	.75
CR26K6-PFV	13.6	13.9	11.6	.50	5.2	.75
CR28K6	13.6	13.9	11.6	.50	5.2	.75
CR30K6	13.8	14.2	11.9	.50	5.2	.75
CR32K6	13.8	14.2	11.9	.50	5.2	.75
CR34K6-PFV	14.1	14.4	12.1	.50	5.2	.75
CR35K6	14.1	14.4	12.1	.50	5.2	.75

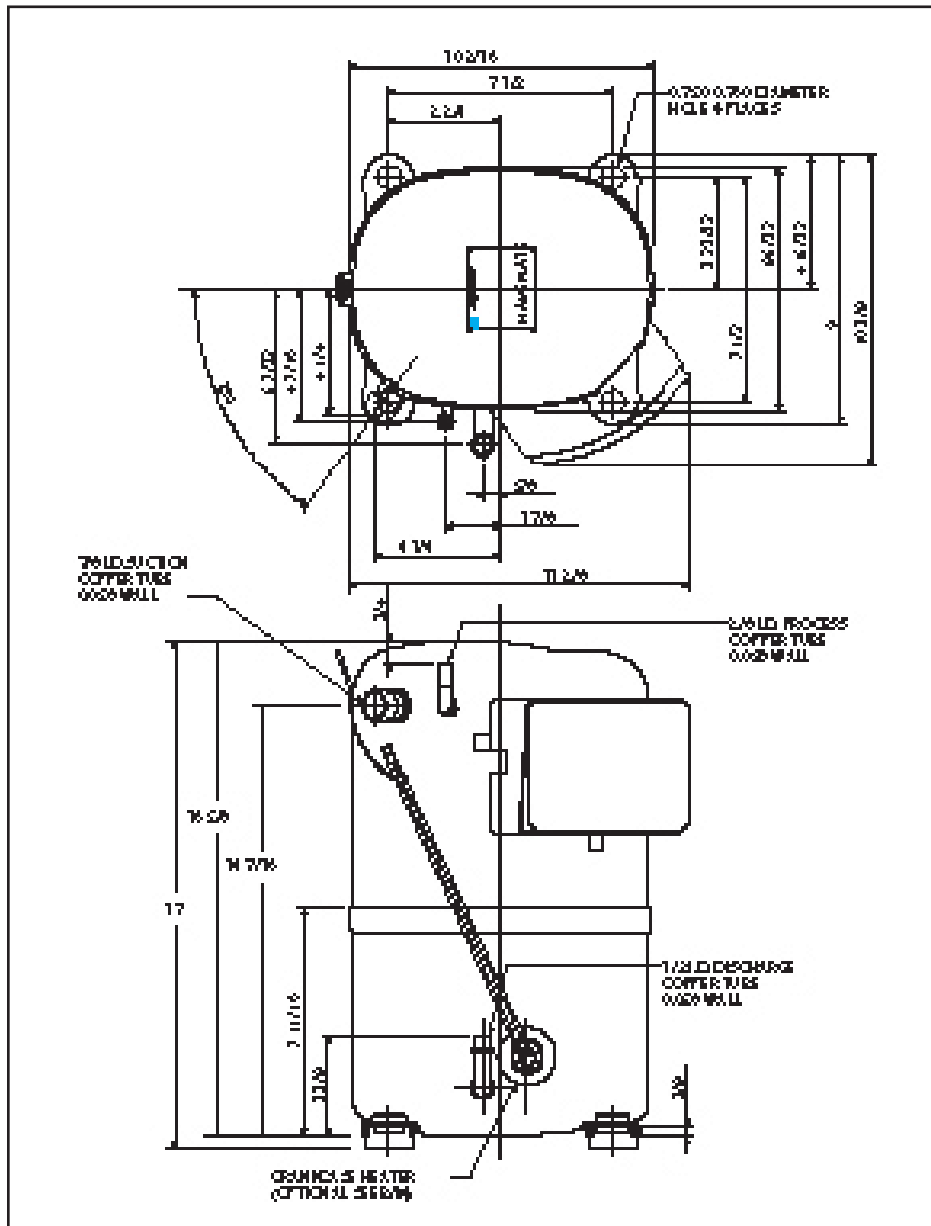
Model	A	B	C	D	E	F
CR38K6	14.3	14.7	12.3	.50	5.2	.75
CR42K6	14.6	14.9	12.6	.50	5.2	.88
CF04K6E	13.3	13.7	11.4	.38	4.8	.75
CF06K6E	13.3	13.7	11.4	.38	4.8	.75
CF09K6E	13.8	14.2	11.9	.50	5.2	.75
CF12K6E	14.3	14.7	12.4	.50	5.2	.75
CS10K6E	13.3	13.7	11.3	.38	4.9	.75
CS12K6E	13.3	13.7	11.3	.38	4.9	.75
CS14K6E	13.4	13.8	11.5	.38	4.9	.75
CS18K6E	13.8	14.2	11.9	.50	5.2	.75
CS20K6E	14.1	14.4	12.1	.50	5.2	.75

Figure 11



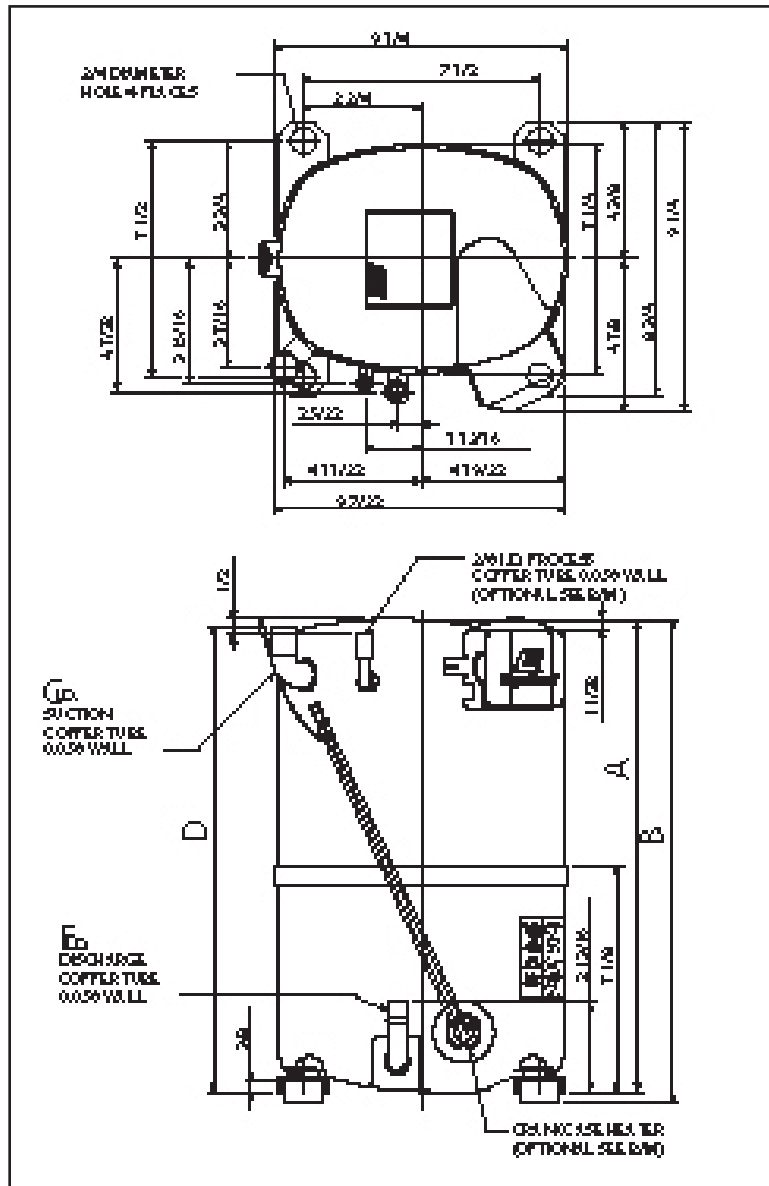
Model	A	B	C	D
CR16KF-PFV	13.1	13.5	11.3	4.5
CR18KF-PFV	13.1	13.5	11.3	4.5
CR20KF-PFV	13.3	13.6	11.4	4.5
CR22KF-PFV	13.3	13.6	11.4	4.5
CR24KF-PFV	13.4	13.8	11.6	4.5
CR26KF-PFV	13.5	13.9	11.7	4.4
CR28KF-PFV	13.5	13.9	11.7	4.4
CR30KF-PFV	13.8	14.1	11.9	4.4
CR32KF-PFV	13.8	14.1	11.9	4.4
CR34KF-PFV	14.0	14.4	12.2	4.4
CR35KF-PFV	14.0	14.4	12.2	4.4

Figure 12



Model
CTH1-0275
CTL1-0350
CTM1-0400
CTN1-0500

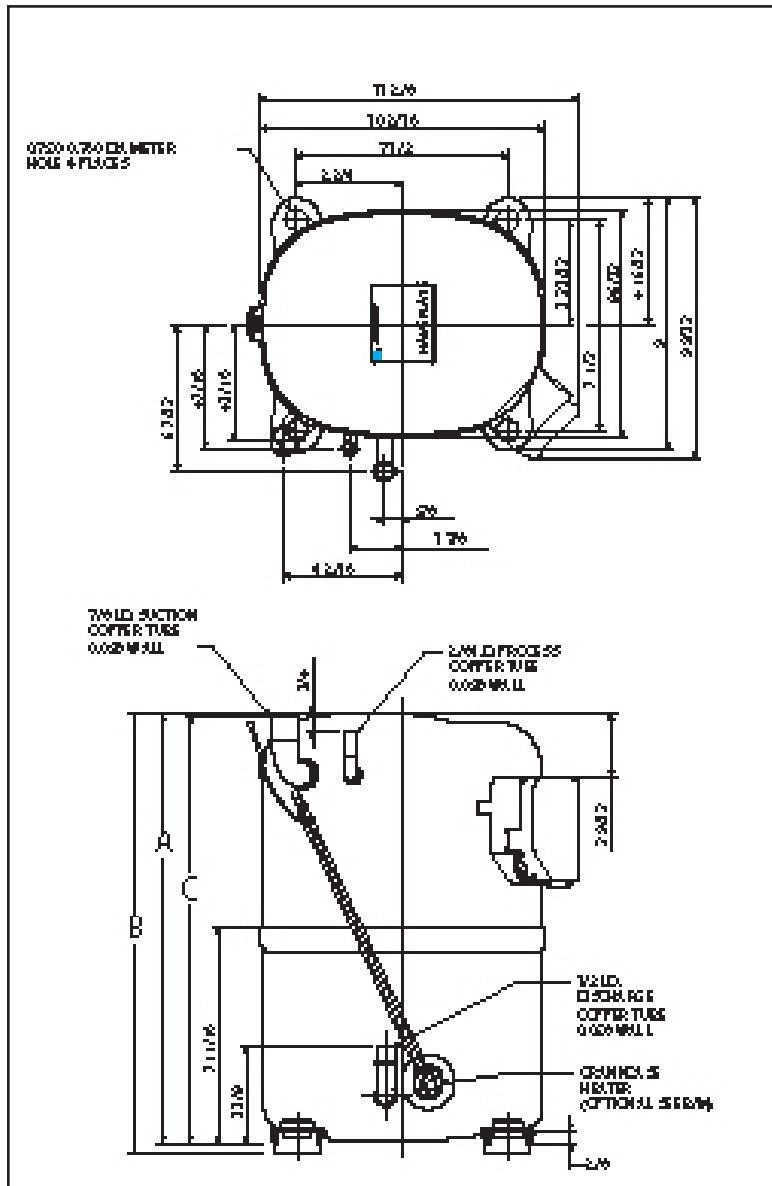
Figure 13



Model	A	B	C	D	E
CRA1-0150-PFV	13.6	13.9	.63	13.3	.38
CRA1-0150-TF5	14.1	14.4	.63	13.8	.38
CRA1-0150-TFC	14.1	14.4	.63	13.8	.38
CRA1-0150-TFD	13.7	14.1	.63	13.4	.38
CRB1-0175-PFV	13.6	13.9	.63	13.3	.38
CRC1-0175	13.8	14.2	.63	13.5	.38
CRC2-0175-PFV	13.8	14.2	.63	13.5	.38
CRD1-0200	13.8	14.2	.63	13.5	.38
CRE1-0225	14.1	14.4	.63	13.8	.38
CRE2-0225-PFV	14.1	14.4	.63	13.8	.38
CRF1-0250	14.2	14.6	.63	13.9	.38

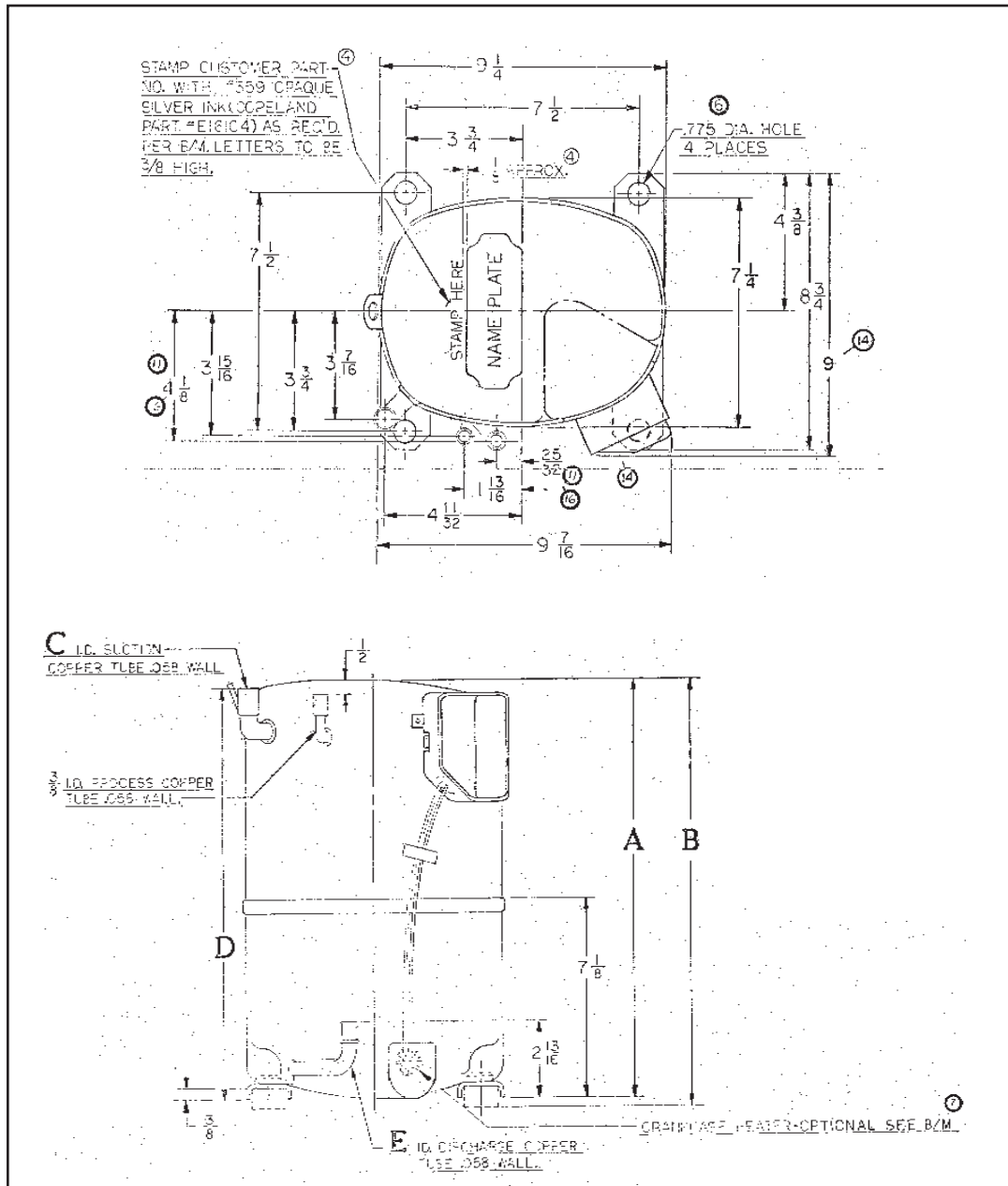
Model	A	B	C	D	E
CRF2-0250-PFV	14.2	14.6	.63	13.9	.38
CRG3-0250	14.3	14.7	.75	14.0	.38
CRH3-0275	14.6	14.9	.75	14.3	.38
CRI3-0290	14.8	15.2	.75	14.5	.38
CRJ3-0300	14.8	15.2	.75	14.5	.38
CRK3-0325	15.1	15.4	.75	14.8	.38
CRL3-0350	15.3	15.7	.88	15.3	.50
CRM3-0400	15.3	15.7	0.88	15.3	.50
CS27K3E	15.1	15.4	0.75	14.8	.50
CS33K3E	15.3	15.7	0.88	15.3	.50

Figure 14



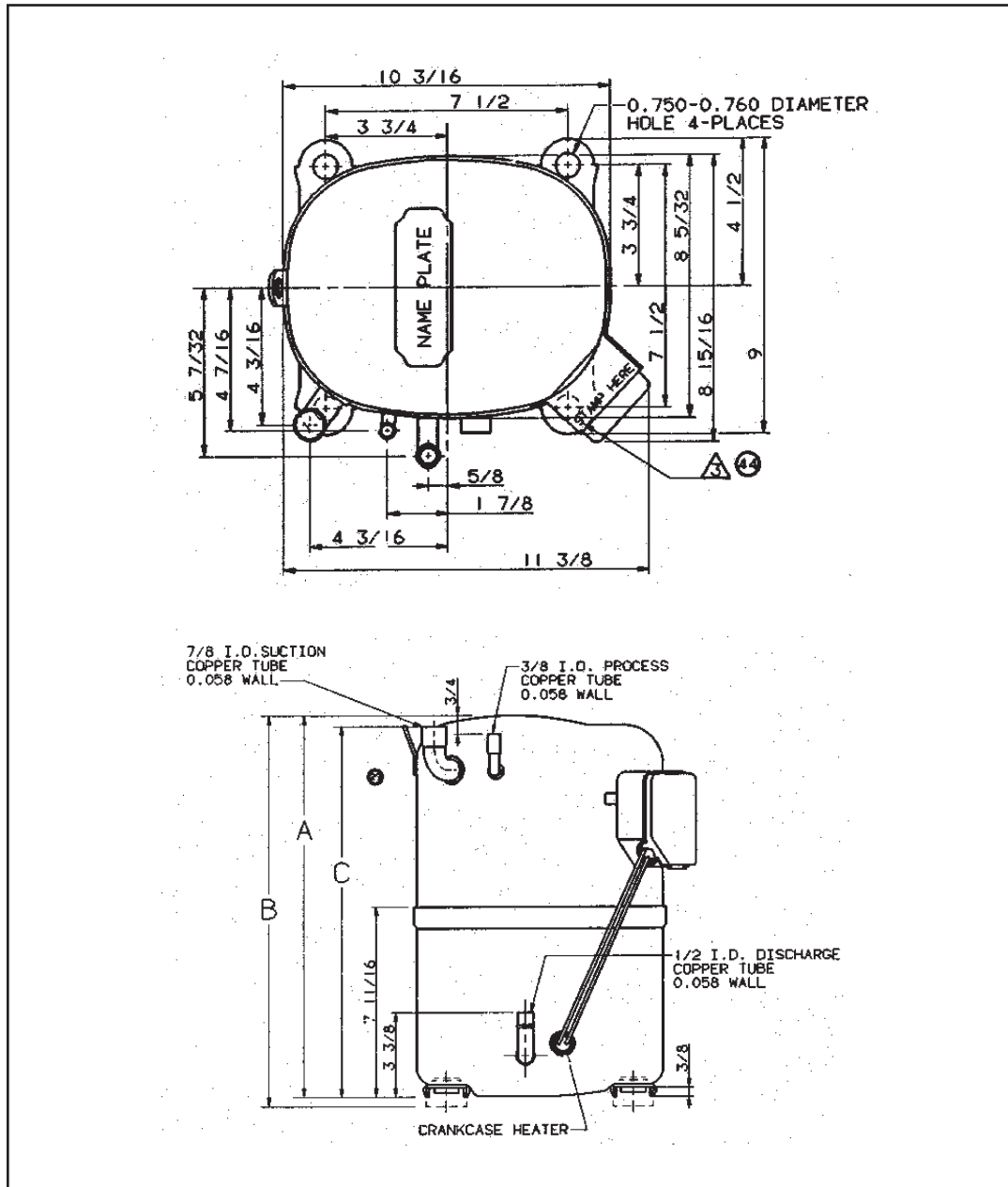
Model	A	B	C
CRP5-0450	15.9	16.3	15.5
CRN5-0500	16.2	16.5	15.7
CRT5-0450	15.9	16.3	15.5

Figure 15



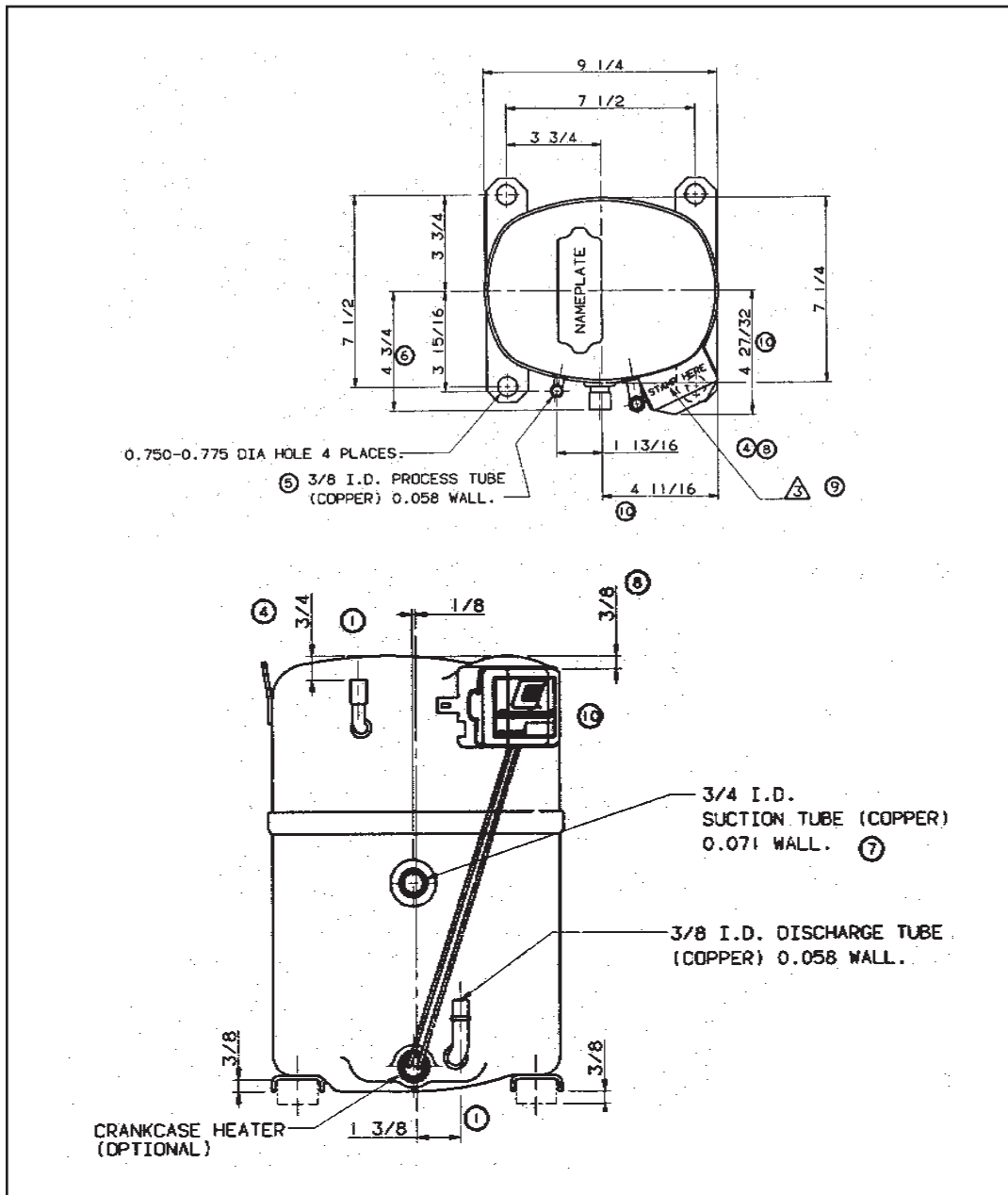
Model	A	B	C	D	E
CRG1-0250-PFV	14.3	14.7	.63	14.0	.38
CRH1-0275-PFV	14.6	14.9	.63	14.3	.38
CRJ1-0300-PFV	14.8	15.2	.75	14.5	.38
CRK1-0325-PFV	15.1	15.4	.75	14.8	.38

Figure 16



Model	A	B	C
CRL1-0350-PFV	15.4	15.8	15.2
CRM1-0400-PFV	15.6	16.0	15.2
CRN1-0500-PFV	16.1	16.5	15.7
CRP1-0450-PFV	15.9	16.3	15.5

Figure 17



Model	A
CRZ4-0150	12.8
CRA4-0150	12.8
CRB4-0150	12.9
CRC4-0175	13.1
CRD4-0200	13.1
CRE4-0225	13.3
CRF4-0250	13.6

Figure 18

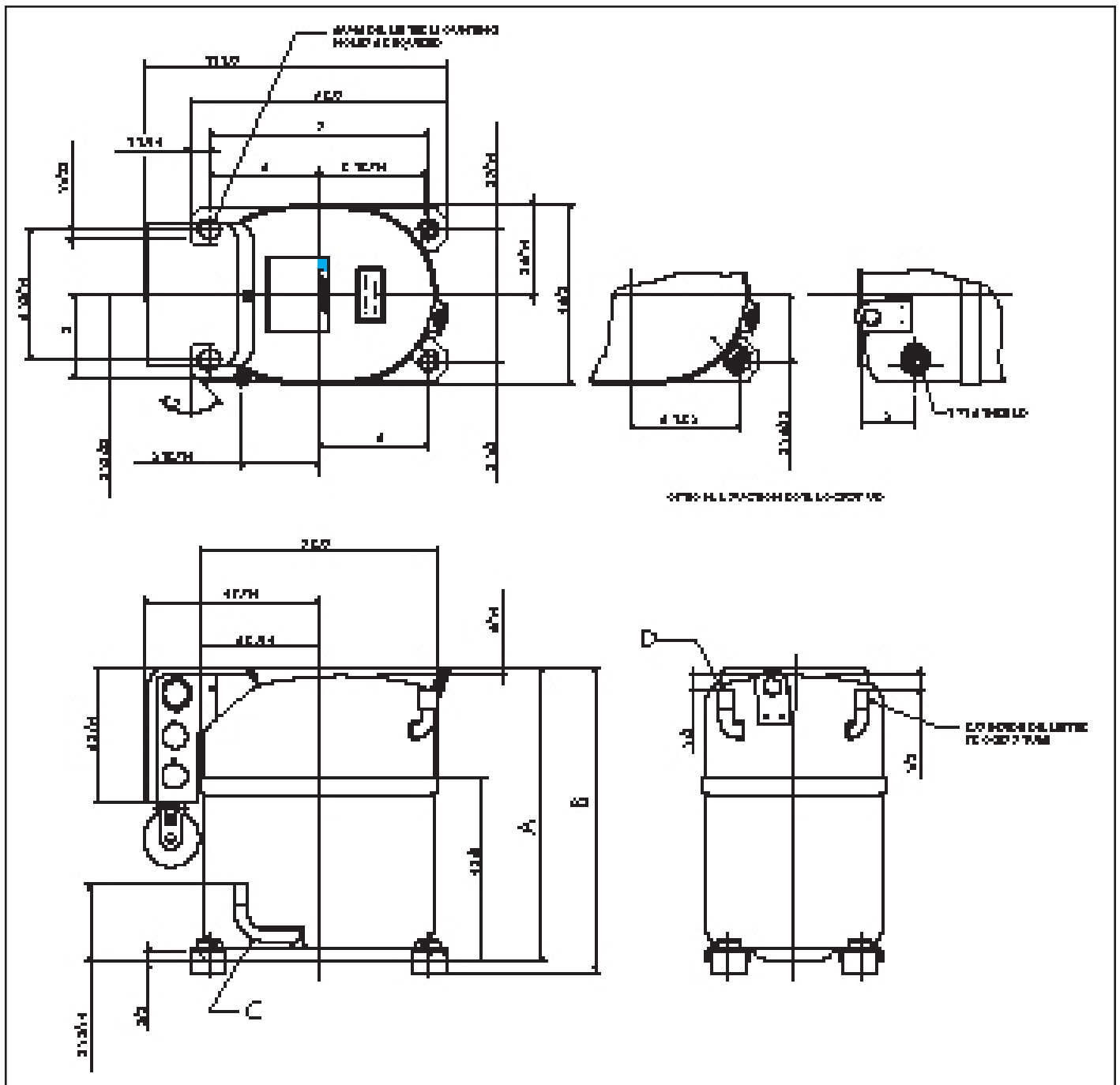
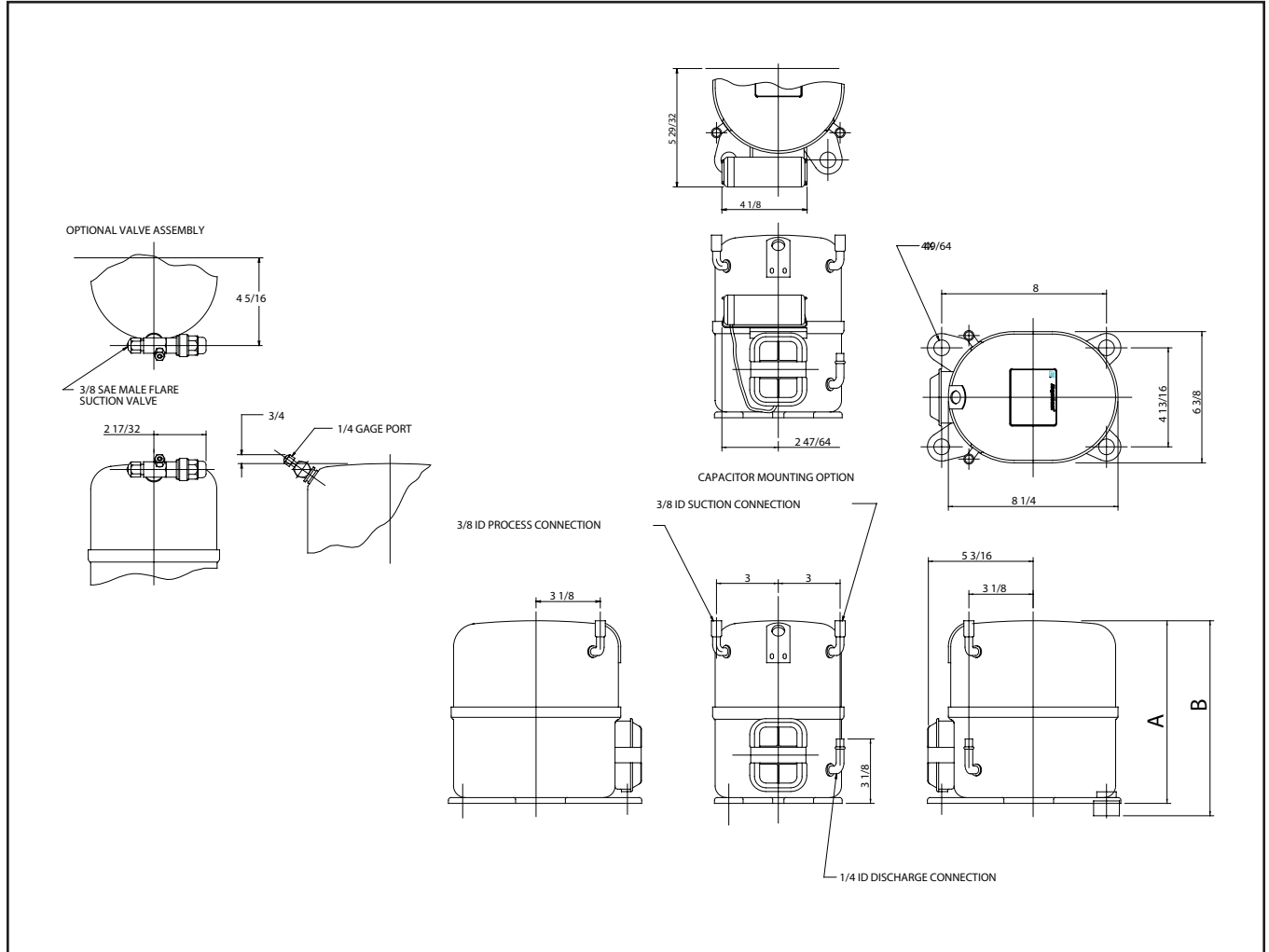


Figure 18

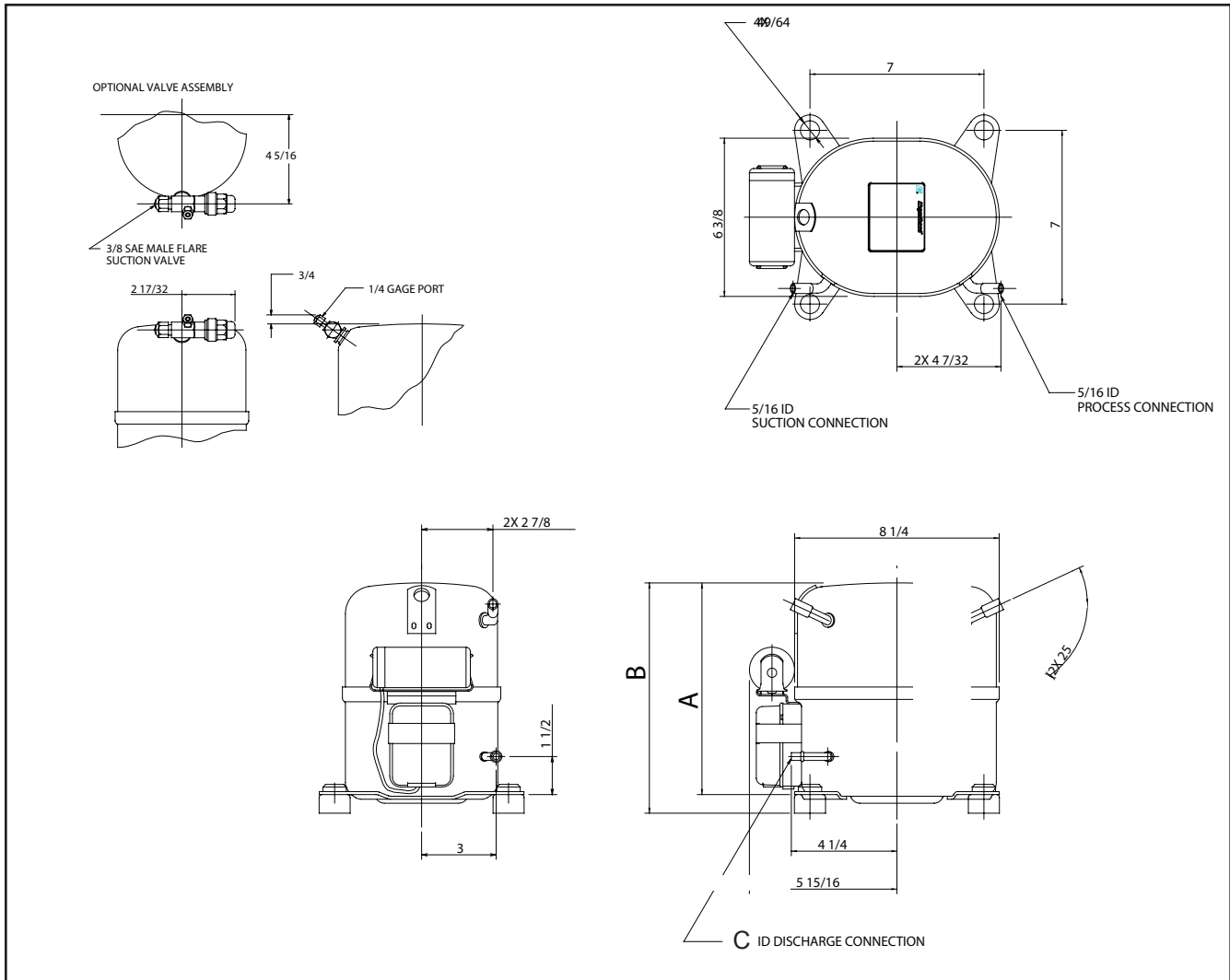
Model	A	B	C	D	Model	A	B	C	D
REB3-0150	11.1	11.5	0.31	0.5	RS64C2	10.6	11.0	0.38	0.5
REBQ-0150	11.1	11.5	0.31	0.5	RS64C2E	10.6	11.0	0.38	0.5
REK3-0125-PFV	11.1	11.5	0.31	0.5	RS70C1-PAA	11.1	11.5	0.38	0.5
REK3-0125-TFC	10.8	11.1	0.31	0.5	RS70C1E	11.3	11.6	0.38	0.5
REK3-0125-TFD	10.8	11.1	0.31	0.5	RS70C1-PFV	11.1	11.5	0.38	0.5
REKQ-0125	11.1	11.5	0.31	0.5	RS70C1-TFC	10.8	11.1	0.38	0.5
REL3-0200	11.6	12.0	0.31	0.5	RS70C1-TFD	10.8	11.1	0.38	0.5
RES3-0175	11.4	11.8	0.31	0.5	RS80C1E-CAA	10.8	11.1	0.38	0.5
REY3-0175-PFV	11.6	12.0	0.31	0.5	RS80C1E-CAV	11.3	11.6	0.38	0.5
REY3-0175-TFC	11.1	11.5	0.31	0.5	RS80C1E-TF5	11.3	11.6	0.38	0.5
REZ3-0125	11.1	11.5	0.31	0.5	RS80C1E-TFD	11.3	11.6	0.38	0.5
RF18C1E	10.8	11.1	0.38	0.5	RS80C2-CAV	11.1	11.5	0.38	0.5
RF18C2E	10.6	11.0	0.38	0.5	RS80C2E-CAA	10.6	11.0	0.38	0.5
RR10K1E	11.3	11.6	0.38	0.5	RS80C2E-CAV	11.1	11.5	0.38	0.5
RR10K2E	10.6	11.0	0.38	0.5	RS80C2E-TF5	11.1	11.5	0.38	0.5
RR12K1	11.1	11.5	0.38	0.5	RS80C2E-TFD	11.1	11.5	0.38	0.5
RR14K1	11.1	11.5	0.38	0.5	RS86C1E	11.5	11.9	0.38	0.5
RR16K1	11.4	11.8	0.38	0.5	RS86C2E	11.3	11.6	0.38	0.5
RR17K1-PFV	11.6	12.0	0.38	0.5	RS97C1E-CAA	10.8	11.1	0.38	0.5
RR17K1-TFC	11.1	11.5	0.38	0.5	RS97C1E-CAV	10.8	11.1	0.38	0.5
RR20K1	11.6	12.0	0.38	0.5	RS97C1E-TFC	11.3	11.6	0.38	0.5
RR81C1E-IAA	11.3	11.6	0.38	0.5	RS97C2	10.6	11.0	0.38	0.5
RR81C1E-IAV	11.3	11.6	0.38	0.5	RS97C2E	10.6	11.0	0.38	0.5
RR81C2E	10.6	11.0	0.38	0.5	RSE4-0075	11.1	11.5	0.25	0.38
RRG4-0100	11.1	11.5	0.25	0.38	RSE4-0076	11.1	11.5	0.25	0.38
RRK4-0126	11.1	11.5	0.25	0.38	RSF2-0050	10.6	11.0	0.25	0.38
RRL4-0100	11.1	11.5	0.25	0.5	RSF5-0075-CAA	11.1	11.5	0.25	0.58
RRL6-0100	11.1	11.5	0.25	0.5	RSL2-0075	11.6	11.0	0.25	0.5
RRS4-0075	11.1	11.5	0.25	0.5	RSL2-0100	10.6	11.0	0.25	0.5
RS40C1E-IAA	11.3	11.6	0.38	0.5	RSL2-0101	10.6	11.0	0.25	0.5
RS40C1E-IAV	11.3	11.6	0.38	0.5	RSL4-0175	11.6	12.0	0.31	0.5
RS40C2	10.6	11.0	0.38	0.5	RSL5-0100-CAV	10.6	11.0	0.25	0.5
RS40C2E	10.6	11.0	0.38	0.5	RSL5-0100-TFC	11.1	11.5	0.25	0.5
RS43C1E	11.3	11.6	0.38	0.5	RSL5-0101-CAV	10.6	11.0	0.25	0.5
RS43C2E	10.3	10.6	0.38	0.5	RSL5-0101-TFC	11.1	11.5	0.25	0.5
RS47C2	10.6	11.0	0.38	0.5	RSN2-0050	10.6	11.0	0.25	0.38
RS54C1E-IAA	10.8	11.1	0.38	0.5	RSN4-0050	11.1	11.5	0.25	0.38
RS54C1E-IAV	10.8	11.1	0.38	0.5	RSN4-0075	11.1	11.5	0.25	0.38
RS54C2E	10.6	11.0	0.38	0.5	RSN4-0100	11.1	11.5	0.25	0.38
RS55C1E	11.3	11.6	0.38	0.5	RSN5-0075	11.1	11.5	0.25	0.38
RS55C2-CAA	10.3	10.6	0.38	0.5	RSN6-0075	11.1	11.5	0.25	0.38
RS55C2E	10.3	10.6	0.38	0.5	RSU4-0050	11.1	11.5	0.25	0.38
RS64C1E	11.3	11.6	0.38	0.5	RSU5-0050	11.1	11.5	0.25	0.38

Figure 19



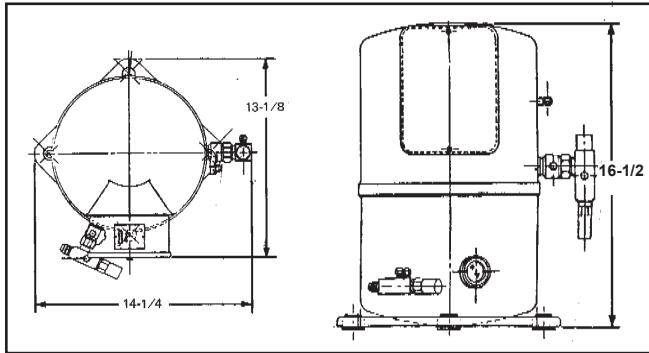
Model	A	B
JRF4-0050	9	9.6
JRF4-0075	9	9.6
JRG4-0100	9.3	9.6
JRH4-0100	8.7	9
JRL4-0100	9	9.6
JRS4-0050	7.9	8.4
JSE5-0051	9	9.6
JSH5-0075	9	9.6
JSL5-0075	9	9.6
JSS5-0050	7.9	8.4

Figure 20

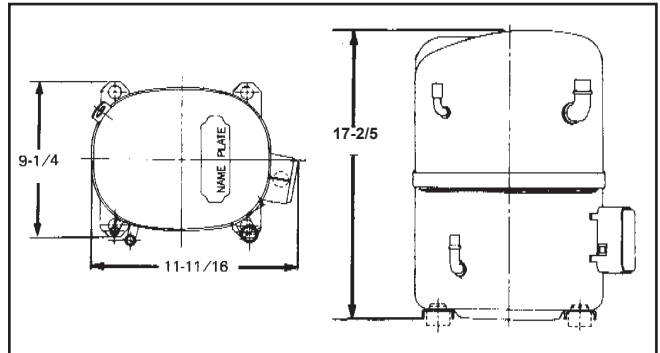


Model	A	B	C
JR26C1E	7.1	7.9	0.25
JR36C1E	7.6	8.4	0.25
JRE1-0033	7.6	8.4	0.31
JRE1-0050	7.9	8.6	0.31
JS25C1E	7.1	7.9	0.25
JRN1-0025	7.1	7.9	0.31
JFC1-0025	7.1	7.9	0.31
JS35C1E	8.6	9.4	0.25
JS19C1E	7.5	8.3	0.25
JFB1-0033	7.1	7.9	0.31
JF11C1E	7.9	8.6	0.25
JR53C1E	7.9	8.6	0.25
JRL4-0050	7.9	8.6	0.31
JFP1-0050	7.9	8.6	0.31
JS55C1E	8.6	9.4	0.25
JFH1-0033	7.6	8.4	0.31
JF10C1E	7.6	8.4	0.25

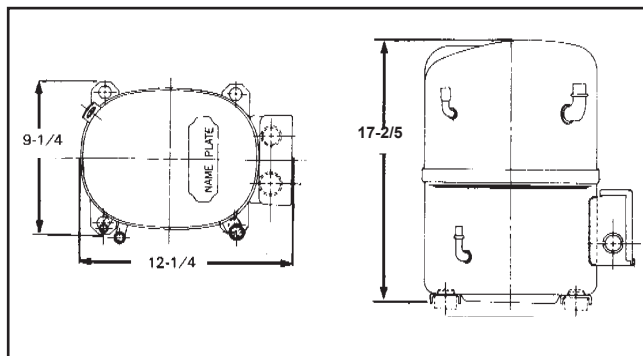
Typical Drawings



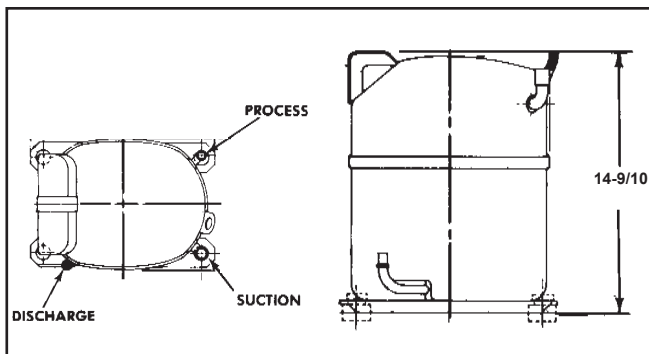
Typical VR Family



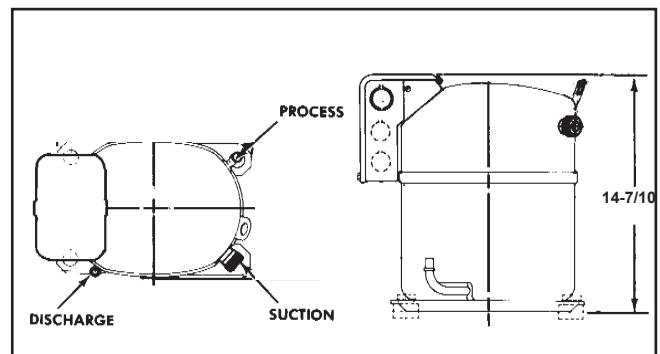
Typical YR*4/6 Family



Typical YR*2/5 Family



Typical SRB, SRC, SRD, SRM Family



Typical SRJ Family

Electrical Components

"A" Compressors

Model	Start Capacitor			Run Capacitor			Relay	Protector
	Part Number	MFD	Volts	Part Number	MFD	Volts		
AF04C1E-SAA							940-C401-40	071-C100-33
AF05C1E-IAA	914-0038-04	189-227	165				940-C411-58	071-C100-49
AF05C1E-SAA							940-C401-58	071-C100-34
AF07C1E-IAA	914-0038-00	145-175	165				940-C411-82	071-C100-35
AF10C2E-IAA	914-0038-10	145-174	250				940-C411-83	071-C100-59
AF11C1E-IAA	914-0038-00	145-175	165				940-C411-82	071-C100-01
AF12C1E-IAA	914-0038-04	189-227	165				940-C411-85	071-C100-69
AF13C1E-IAA	914-0038-04	189-227	165				940-C411-83	071-C100-38
AF18C1E-IAA	914-0038-00	145-175	165				940-C411-91	071-C100-40
AF22C1E-CFV	914-0036-03	88-106	330	914-0037-13	15	440	940-0001-82	
AF22C1E-IAA	914-0038-08	145-175	165				940-C016-00	071-C100-41
AF26C1E-CFA	914-0036-04	145-175	165	914-0037-15	25	440	940-0001-79	
AF26C1E-CFV	914-0036-03	88-106	330	914-0037-13	15	440	940-0001-53	
AF29C1E-CFA	914-0036-12	189-227	250	914-0037-15	25	440	940-0001-79	
AF29C1E-CFV	914-0036-03	88-106	330	914-0037-13	15	440	940-0001-53	
AF31C1E-CFV	914-0036-03	88-106	330	914-0037-14	20	440	940-0001-70	
AF37C1E-CFV	914-0036-03	88-106	330	914-0037-14	20	440	940-0001-70	
AFB04C3E-SAA							940-C401-40	071-0554-00
AFB05C3E-IAA	914-0038-04	189-227	165				940-C411-58	071-0554-01
AFB05C3E-SAA							940-C401-58	071-0554-03
AFE07C3E-IAA	914-0038-10	145-174	250				940-C411-82	071-0554-15
AFE10C3E-IAA	914-0038-10	145-174	250				940-C411-89	071-0554-17
AFE11C3E-IAA	914-0038-00	145-175	165				940-C411-82	071-0554-22
AFE13C3E-IAA	914-0038-04	189-227	165				940-C411-83	071-0554-27
AFF2-0025-IAA	914-0038-00	145-175	165				940-C411-82	071-C100-56
AFH3-0033-IAA	914-0038-04	189-227	165				940-C411-83	071-C100-57
AFJ37C1E-CFV	914-0036-03	88-106	330	914-0037-14	20	440	940-0001-70	
AFT12C1E-IAA	914-0038-04	189-227	165				940-C411-85	071-C100-69
AFT18C1E-IAA	914-0038-00	145-175	165				940-C411-91	071-C100-40
AFT22C1E-CFV	914-0036-03	88-106	330	914-0037-13	15	440	940-0001-82	
AFT22C1E-IAA	914-0038-08	145-175	165				940-C016-00	071-C100-41
AFT26C1E-CFA	914-0036-14	145-175	15	914-0037-15	25	440	940-0001-79	
AFT26C1E-CFV	914-0036-03	88-106	330	914-0037-13	15	440	940-0001-53	
AFT29C1E-CFA	914-0036-12	189-227	250	914-0037-15	25	440	940-0001-79	
AFT29C1E-CFV	914-0036-03	88-106	330	914-0037-13	15	440	940-0001-53	
AR11K1E-CAV	914-0008-74	72-86	330	914-0037-07	17.5	370	940-0001-65	071-C103-02
AR13C1E-IAA	914-0038-00	145-175	165				040-C411-52	071-C100-05
AR13C1E-SAA							940-C401-40	071-C100-32
AR17C1E-IAA	914-0038-00	145-175	165				040-C411-61	071-C100-04
AR17C1E-SAA							940-C401-49	071-C100-04
AR25C1E-IAA	914-0038-00	145-175	165				940-C411-63	071-C100-28
AR25C1E-SAA							940-C401-72	071-C100-28
AR27C1E-IAA	914-0038-01	145-175	110				940-C411-66	071-C100-28

Electrical Components

"A" Compressors

Model	Start Capacitor			Run Capacitor			Relay	Protector
	Part Number	MFD	Volts	Part Number	MFD	Volts		
AR27C1E-SAA							940-C401-66	071-C100-28
AR37C1E-IAA	914-0038-00	145-175	165				940-C411-82	071-C100-01
AR37C1E-IAV	914-0036-03	88-106	330				940-C411-45	071-C100-45
AR37C1E-SAA							940-C401-82	071-C100-01
AR41C1E-IAA	914-0038-04	189-227	165				940-C411-83	071-C100-21
AR51C1E-IAA	914-0038-04	189-227	165				940-C411-80	071-C100-19
AR51C1E-IAV	914-0008-65	64-77	330				040-C411-79	071-0553-03
AR62C1E-IAA	914-0038-04	189-227	165				940-C411-89	071-C100-24
AR62C1E-IAV	914-0008-65	64-77	330				040-C411-79	071-C100-58
AR64C1E-IAA	914-0006-03	189-227	330				940-C411-91	071-C100-53
AR64C1E-IAV	914-0036-03	88-106	330				040-C411-79	071-C100-54
AR84C1E-IAV	914-0036-03	88-106	330				940-C016-02	071-C100-52
ARB13C3E-IAA	914-0038-00	145-175	165				040-C411-52	071-0554-04
ARB13C3E-SAA							940-C401-40	071-0554-05
ARB17C3E-IAA	914-0038-00	145-175	165				040-C411-61	071-0554-07
ARB17C3E-SAA							940-C401-49	071-0554-09
ARB21C3-IAA	914-0038-00	145-175	165				940-C411-72	071-0554-10
ARC1-0017-SAA							940-C401-40	071-C100-05
ARD1-0020-SAA							940-C401-49	071-C100-04
ARD4-0022-IAA	914-0038-00	145-175	165				940-C411-72	071-C100-08
ARE1-0023-SAA							940-C401-72	071-C100-30
ARE25C3E-IAA	914-0038-00	145-175	165				940-C411-35	071-0554-19
ARE25C3E-SAA							940-C401-72	071-0554-19
ARE27C3E-IAA	914-0038-00	145-175	165				940-C411-66	071-0554-19
ARE27C3E-SAA							940-C401-66	071-0554-19
ARE36C3-IAA	914-0038-00	145-175	165				940-C411-82	071-0554-22
ARE36C3-SAA							940-C401-82	071-0554-22
ARE37C3E-IAA	914-0038-00	145-175	165				940-C411-82	071-0554-22
ARE37C3E-IAV	914-0036-03	88-106	330				940-C411-45	071-0554-36
ARE37C3E-SAA							940-C401-82	071-0554-22
ARE4-0025-IAA	914-0038-01	145-175	110				940-C411-82	071-C100-01
ARE41C3E-IAA	914-0038-04	189-227	165				940-C411-83	071-0554-25
ARE43C3-IAA	914-0038-00	145-175	165				940-C411-82	071-0554-22
ARE47C3-IAA	914-0038-00	145-175	165				940-C411-82	071-0554-39
ARE5-0025-SAA							940-C401-82	071-C100-01
ARE59C3-CAA	914-0036-11	72-88	220	914-0037-14	20	440	940-0001-88	071-0554-30
ARE59C3-CAV	914-0008-74	72-86	330	914-0037-13	15	440	940-0001-71	071-0554-33
ARF2-0025-IAA	914-0038-01	145-175	110				940-C411-66	071-C100-28
ARF2-0025-SAA							940-C401-66	071-C100-28
ARF4-0033-IAA	914-0038-00	145-175	165				940-C411-82	071-C100-01
ARG2-0033-IAA	914-0038-01	145-175	110				940-C411-82	071-C100-01
ARG2-0033-SAA							940-C401-82	071-C100-01
ARG4-0048-SAA							940-C401-82	071-C101-01
ARG4-0051-CAA	914-0036-11	72-88	220	914-0037-14	20	440	940-0001-88	071-C100-51

Electrical Components

“A” Compressors

Model	Start Capacitor			Run Capacitor			Relay	Protector
	Part Number	MFD	Volts	Part Number	MFD	Volts		
ARG4-0051-CAV	914-0008-74	72-86	330	914-0037-13	15	440	940-0001-71	071-C103-03
ARH1-0049-IAA	914-0038-04	189-227	165				940-C411-80	071-C100-19
ARK1-0050-IAA	914-0038-04	189-227	165				940-C411-89	071-C100-24
ARM1-0075-IAA	914-0036-08	340-408	110				940-0001-80	071-C100-06
ARM1-0075-IAV	914-0036-03	88-106	330				940-0102-04	071-C100-10
ARN1-0100-CAV	914-0008-74	72-86	330	914-0037-07	17.5	370	940-0001-63	071-C103-05
ARN3-0100-PAA	914-0036-13	21-25	330	914-0037-15	25	440	940-0001-79	071-C102-00
ARN3-0100-PAV	914-0036-13	21-25	330	914-0037-14	20	440	940-0001-68	071-C103-01
ART51C1E-IAA	914-0038-04	189-227	165				940-C411-80	071-C100-19
ART51C1E-IAV	914-0008-65	64-77	330				040-C411-79	071-C100-66
ART62C1E-IAA	914-0038-04	189-227	165				940-C411-89	071-C100-24
ART62C1E-IAV	914-0008-65	64-77	330				040-C411-79	071-C100-58
ART64C1E-IAA	914-0006-03	189-227	330				940-C411-91	071-C100-53
ART64C1E-IAV	914-0036-03	88-106	330				040-C411-79	071-C100-54
ART69C1-IAA	914-0038-10	145-174	250				940-C016-03	071-C100-71
ART69C1-IAV	914-0038-05	88-106	330				040-C411-79	071-0553-01
ART82C1-CAA	914-0036-04	145-174	250	914-0037-17	35	440	940-0001-79	071-C102-01
ART82C1-CAV	914-0008-70	43-52	330	914-0037-13	15	440	940-0001-68	071-C103-01
ART97C1-PAA	914-0036-13	21-25	330	914-0037-15	25	440	940-0001-79	071-C102-00
ART97C1-PAV	914-0036-13	21-25	330	914-0037-14	20	440	940-0001-68	071-C103-01
AS12C1E-IAA	914-0038-10	145-174	250				940-C411-72	071-C100-08
AS14C1E-IAA	914-0038-00	145-175	165				940-C411-82	071-C100-54
AS19C1E-IAA	914-0038-00	145-175	165				940-C411-71	071-C100-55
AS24C1E-IAA	914-0038-10	145-174	250				940-C411-82	071-C105-00
AS24C1E-IAV	914-0008-65	64-77	330				940-C411-73	071-C100-45
AS32C1E-CAA	914-0008-74	72-86	330	914-0037-14	20	440	940-0001-88	071-C100-51
AS32C1E-CAV	914-0036-03	88-106	330	914-0037-13	15	440	940-0001-53	071-C103-04
AS40C1E-CFV	914-0036-03	88-106	330				940-C411-79	
AS40C1E-IAA	914-0036-04	145-174	250				940-C016-03	071-C100-71
AS40C1E-IAV	914-0036-03	88-106	330				040-C411-79	071-C100-72
AS45C1E-CAV	914-0008-70	43-52	330	914-0037-13	15	440	940-0001-68	071-C100-74
AS45C1E-IAA	914-0036-04	145-174	250				940-C016-03	071-C100-09
ASB12C3E-IAA	914-0038-10	145-174	250				940-C411-72	071-0554-10
ASB14C3E-IAA	914-0038-00	145-175	165				940-C411-82	071-0554-12
ASE19C3E-IAA	914-0038-00	145-175	165				940-C411-71	071-0554-28
ASE24C3E-IAA	914-0038-00	145-175	165				940-C411-82	071-0554-30
ASE24C3E-IAV	914-0008-65	64-77	330				940-C411-73	071-0554-40
ASE32C3E-CAA	914-0008-74	72-86	330	914-0037-14	20	440	940-0001-88	071-0554-30
ASE32C3E-CAV	914-0036-03	88-106	330	914-0037-13	15	440	940-0001-53	071-0554-32
AST40C1E-IAA	914-0036-04	145-174	250				940-C016-03	071-C100-71
AST40C1E-IAV	914-0036-03	88-106	330				040-C411-79	071-C100-72
AST45C1E-CAV	914-0008-70	43-52	330	914-0037-13	15	440	940-0001-68	071-C100-74
AST45C1E-IAA	914-0036-04	145-174	250				940-C016-03	071-C100-09
AST54C1E-CAA	914-0036-12	189-227	250	914-0037-15	25	440	040-0140-04	071-C100-79
AST54C1E-CAV	914-0008-70	43-52	330	914-0037-13	15	440	940-0001-68	071-C103-06

Electrical Components

“R” Compressors

Model	Start Capacitor			Run Capacitor			Relays		Protector
	Part Number	MFD	Volts	Part Number	MFD	Volts	Potential	Current	
REB3-0150-PFV	914-0008-66	108-130	330	914-0037-09	25	370	940-0001-60		
REBQ-0150-PFV				914-0037-09	25	370			
REK3-0125-PFV	914-0008-66	108-130	220	914-0037-09	25	370	940-0001-60		
REKQ-0125-PFV				914-0037-09	25	370			
RES3-0175-PFV	914-0008-74	72-86	330	914-0037-09	25	370	940-0001-60		
REY3-0175-PFV	914-0008-74	72-86	330	914-0037-10	30	370	940-0001-79		
REZ3-0125-PFV	914-0008-66	108-130	220	914-0037-08	20	370	940-0001-60		
RF18C1E-IAA	914-0008-79	270-324	165				940-0001-62	940-0088-04	071-0127-06
RF18C1E-IAV	914-0008-61	88-106	220				940-0001-63	940-0088-07	071-0329-26
RF18C2E-IAA	914-0008-79	270-324	165				940-0001-62	940-0088-04	071-0127-06
RF18C2E-IAV	914-0008-61	88-106	220				940-0001-63	940-0088-07	071-0329-26
RR10K1E-CAV	914-0008-66	108-130	220	914-0037-06	15	370	940-0001-54		071-0127-05
RR10K2E-CAA	914-0008-78	108-130	250	914-0037-10	30	370	940-0001-54		071-0127-30
RR10K2E-CAV	914-0008-66	108-130	220	914-0037-06	15	370	940-0001-54		071-0127-05
RR12K1-PFV	914-0008-66	108-130	220	914-0037-08	20	370	940-0001-60		
RR14K1-PFV	914-0008-66	108-130	330	914-0037-09	25	370	940-0001-60		
RR16K1-PFV	914-0008-74	72-86	330	914-0037-09	25	370	940-0001-60		
RR17K1-PFV	914-0008-74	72-86	330	914-0037-10	30	370	940-0001-79		
RR20K1-PFV	914-0008-72	64-77	250	914-0037-09	25	370	940-0001-60		
RR81C1E-IAA	914-0008-71	189-227	220				940-0001-80	940-0088-04	071-0127-18
RR81C1E-IAV	914-0008-72	64-77	250				940-0001-60	940-0088-02	071-0329-07
RR81C2E-IAA	914-0008-71	189-227	220				940-0001-80	940-0088-04	071-0127-18
RR81C2E-IAV	914-0008-72	64-77	250				940-0001-60	940-0088-02	071-0329-07
RRG4-0100-PAA	914-0008-48	124-149	220	914-0037-09	25	370	940-0001-60		071-0127-40
RRG4-0100-PAV	914-0008-72	64-77	250	914-0037-06	15	370	940-0001-54		071-0329-00
RRK4-0126-PAA	914-0008-65	64-77	330	914-0037-10	30	370	940-0001-60		071-0127-18
RRL4-0100-CAV	914-0008-66	108-130	220	914-0037-06	15	370	940-0001-54		071-0127-05
RRL6-0100-CAA	914-0036-01	88-106	250	914-0037-06	15	370	940-0001-55		071-0127-38
RRS4-0075-IAA	914-0008-71	189-227	220				940-0001-80	940-0088-04	071-0127-18
RRS4-0075-IAV	914-0008-72	64-77	250				940-0001-60	940-0088-02	071-0329-07
RS40C1E-IAA	914-0008-71	189-227	220				940-0001-62	940-0088-00	071-0127-41
RS40C1E-IAV	914-0008-64	43-52	220					940-0088-03	071-0329-11
RS40C2E-IAA	914-0008-71	189-227	220				940-0001-62	940-0088-00	071-0127-41
RS40C2E-IAV	914-0008-64	43-52	220					940-0088-03	071-0329-11
RS40C2-IAA	914-0008-71	189-227	220				940-0001-62	940-0088-00	071-0127-41
RS43C1E-CAA	914-0008-57	243-292	115	914-0037-06	15	370	940-0001-62		071-0329-15
RS43C1E-CAV	914-0008-64	43-52	220	914-0037-04	10	370	940-0001-54		071-0329-10
RS43C1E-IAA	914-0008-57	243-292	115				940-0001-62	940-0088-00	071-0329-15
RS43C1E-IAV	914-0008-64	43-52	220					940-0088-03	071-0329-11
RS43C2E-CAA	914-0008-57	243-292	115	914-0037-06	15	370	940-0001-62		071-0329-13
RS43C2E-CAV	914-0008-64	43-52	220	914-0037-04	10	370	940-0001-54		071-0329-10

Electrical Components

“R” Compressors

Model	Start Capacitor			Run Capacitor			Relays		Protector
	Part Number	MFD	Volts	Part Number	MFD	Volts	Potential	Current	
RS43C2E-IAA	914-0008-57	243-292	115				940-0001-62	940-0088-00	071-0329-15
RS43C2E-IAV	914-0008-64	43-52	220					940-0088-03	071-0329-11
RS47C2-IAA	914-0008-79	270-324	165				940-0001-80	940-0088-04	071-0127-30
RS47C2-IAV	914-0008-66	108-130	220				940-0001-54	940-0088-02	071-0370-29
RS54C1E-IAA	914-0008-79	270-324	165				940-0001-62	940-0088-04	071-0127-06
RS54C1E-IAV	914-0008-72	64-77	250				940-0001-60	940-0088-02	071-0329-04
RS54C2E-IAA	914-0008-79	270-324	165				940-0001-62	940-0088-04	071-0127-06
RS54C2E-IAV	914-0008-72	64-77	250				940-0001-60	940-0088-02	071-0329-04
RS55C1E-CAV	914-0008-72	64-77	250	914-0037-06	15	370	940-0001-54		071-0329-30
RS55C1E-PAA	914-0008-48	124-149	220	914-0037-09	25	370	940-0001-60		071-0127-40
RS55C1E-PAV	914-0008-72	64-77	250	914-0037-06	15	370	940-0001-54		071-0329-30
RS55C2E-CAA	914-0006-03	189-227	330	914-0037-09	25	370	940-0001-60		071-0518-02
RS55C2E-CAV	914-0006-12	175-216	330	914-0037-09	25	370	940-0001-54		071-0527-08
RS64C1E-CAA	914-0008-74	72-86	330	914-0037-16	30	440	940-0140-03		071-0127-43
RS64C1E-CAV	914-0008-61	88-106	220	914-0037-06	15	370	940-0001-54		071-0329-16
RS64C1E-IAA	914-0008-66	108-130	220				940-0001-60	940-0088-06	071-0127-44
RS64C1E-IAV	914-0008-66	108-130	220				940-0001-63	940-0088-00	071-0127-37
RS64C1E-PAA	914-0008-74	72-86	330	914-0037-16	30	440	940-0140-03		071-0127-43
RS64C2-CAA	914-0008-74	72-86	330	914-0037-16	30	440	940-0140-03		071-0127-43
RS64C2-CAV	914-0008-61	88-106	220	914-0037-06	15	370	940-0001-54		071-0329-16
RS64C2E-CAA	914-0008-74	72-86	330	914-0037-16	30	440	940-0140-03		071-0127-43
RS64C2E-CAV	914-0008-61	88-106	220	914-0037-06	15	370	940-0001-54		071-0329-16
RS64C2E-IAA	914-0008-66	108-130	220				940-0001-60	940-0088-06	071-0127-44
RS64C2E-IAV	914-0008-66	108-130	220				940-0001-63	940-0088-00	071-0127-37
RS64C2E-PAA	914-0008-74	72-86	330	914-0037-16	30	440	940-0140-03		071-0127-43
RS64C2-IAA	914-0008-66	108-130	220				940-0001-60	940-0088-06	071-0127-44
RS64C2-IAV	914-0008-66	108-130	220				940-0001-63	940-0088-00	071-0127-37
RS64C2-PAA	914-0008-74	72-86	330	914-0037-16	30	440	940-0140-03		071-0127-43
RS70C1E-PFV	914-0008-66	108-130	220	914-0037-09	25	370	940-0001-60		
RS70C1-PFV	914-0008-66	108-130	220	914-0037-09	25	370	940-0001-60		
RS80C1E-CAA	914-0036-03	88-106	330	914-0037-09	25	370	940-0001-60		071-0127-46
RS80C1E-CAV	914-0006-03	189-227	330	914-0037-14	20	440	940-0001-54		071-0127-37
RS80C2-CAV	914-0006-03	189-227	330	914-0037-14	20	440	940-0001-54		071-0127-37
RS80C2E-CAA	914-0036-03	88-106	330	914-0037-09	25	370	940-0001-60		071-0127-46
RS80C2E-CAV	914-0006-03	189-227	330	914-0037-14	20	440	940-0001-54		071-0127-37
RS86C1E-PFV	914-0008-74	72-86	330	914-0037-10	30	370	940-0001-60		
RS86C2E-PFV	914-0008-74	72-86	330	914-0037-10	30	370	940-0001-60		
RS97C1E-CAA	914-0008-51	145-174	220	914-0037-11	35	370	940-0001-59		071-0127-45
RS97C1E-CAV	914-0036-01	88-106	250	914-0037-15	25	440	940-0001-54		071-0127-24
RS97C2-CAV	914-0036-01	88-106	250	914-0037-15	25	440	940-0001-54		071-0127-24

Electrical Components

“R” Compressors

Model	Start Capacitor			Run Capacitor			Relays		Protector
	Part Number	MFD	Volts	Part Number	MFD	Volts	Potential	Current	
RS97C2E-CAA	914-0008-51	145-174	220	914-0037-11	35	370	940-0001-59		071-0127-45
RS97C2E-CAV	914-0036-01	88-106	250	914-0037-15	25	440	940-0001-54		071-0127-24
RSE4-0075-IAA	914-0008-79	270-324	165				940-0001-80	940-0088-04	071-0127-30
RSE4-0075-IAV	914-0008-66	108-130	220				940-0001-54	940-0088-02	071-0370-29
RSE4-0076-IAA	914-0008-79	270-324	165				940-0001-80	940-0088-04	071-0127-30
RSE4-0076-IAV	914-0008-66	108-130	220				940-0001-54	940-0088-02	071-0370-29
RSF2-0050-IAA	914-0008-71	189-227	220				940-0001-62	940-0088-00	071-0127-34
RSF2-0050-IAV	914-0008-70	43-52	330					940-0088-03	071-0329-10
RSL2-0075-IAA	914-0008-79	270-324	165				940-0001-62	940-0088-04	071-0127-06
RSL2-0075-IAV	914-0008-72	64-77	250				940-0001-60	940-0088-02	071-0329-04
RSL2-0100-CAA	914-0008-78	108-130	250	914-0037-10	30	370	940-0001-54		071-0127-30
RSL2-0101-CAA	914-0008-78	108-130	250	914-0037-10	30	370	940-0001-54		071-0127-30
RSL2-0101-CAV	914-0036-01	88-106	250	914-0037-15	25	440	940-0001-54		071-0127-24
RSL5-0100-CAV	914-0036-01	88-106	250	914-0037-15	25	440	940-0001-54		071-0127-24
RSL5-0101-CAV	914-0036-01	88-106	250	914-0037-15	25	440	940-0001-54		071-0127-24
RSN2-0050-IAA	914-0008-71	189-227	220				940-0001-62	940-0088-00	071-0127-34
RSN2-0050-IAV	914-0008-64	43-52	220					940-0088-03	071-0329-11
RSN4-0050-IAA	914-0008-71	189-227	220				940-0001-62	940-0088-00	071-0127-34
RSN4-0050-IAV	914-0008-64	43-52	220					940-0088-03	071-0329-11
RSN4-0075-CAV	914-0008-61	88-106	220	914-0037-06	15	370	940-0001-54		071-0329-16
RSN4-0075-IAA	914-0008-79	270-324	165				940-0001-80	940-0088-04	071-0127-30
RSN4-0075-IAV	914-0008-61	88-106	220				940-0001-53	940-0088-05	071-0127-05
RSN4-0075-PAA	914-0008-48	124-149	220	914-0037-09	25	370	940-0001-60		071-0127-19
RSN4-0100-CAV	914-0008-61	88-106	220	914-0037-06	15	370	940-0001-54		071-0329-16
RSN4-0100-PAA	914-0008-48	124-149	220	914-0037-09	25	370	940-0001-60		071-0127-19
RSN5-0075-CAA	914-0008-79	270-324	165	914-0037-06	15	370	940-0001-62		071-0127-30
RSN5-0075-IAA	914-0008-79	270-324	165				940-0001-80	940-0088-04	071-0127-30
RSN5-0075-IAV	914-0008-61	88-106	220				940-0001-53	940-0088-05	071-0127-05
RSN6-0075-CAA	914-0008-51	145-174	220	914-0037-06	15	370	940-0001-55		071-0127-42
RSN6-0075-IAA	914-0008-79	270-324	165				940-0001-80	940-0088-04	071-0127-30
RSN6-0075-IAV	914-0008-61	88-106	220				940-0001-53	940-0088-05	071-0127-05
RSU4-0050-CAA	914-0008-79	270-324	165	914-0037-06	15	370	940-0001-51		071-0329-15
RSU4-0050-IAA	914-0008-69	270-324	115				940-0001-51	940-0088-04	071-0329-15
RSU5-0050-IAA	914-0008-69	270-324	115				940-0001-51	940-0088-04	071-0329-15
RSU5-0050-IAV	914-0008-64	43-52	220					940-0088-03	071-0329-11

Electrical Components

“C” Compressors

Model	Start Capacitor			Run Capacitor			Relay
	Part Number	MFD	Volts	Part Number	MFD	Volts	
CF04K6E-PFV	914-0008-51	147-174	220	914-0037-10	30	370	940-0001-55
CF06K6E-PFV	914-0008-51	145-174	220	914-0037-10	30	370	940-0001-55
CF09K6E-PFV	914-0036-04	145-174	250	914-0037-12	40	370	940-0001-55
CF12K6E-PFV	914-0006-03	189-227	330	914-0037-18	40	440	940-0001-60
CR16K6-PFV	914-0036-04	145-174	250	914-0037-09	25	370	940-0001-55
CR16KF-PFV	914-0036-04	145-174	250	914-0037-09	25	370	940-0001-55
CR18K6-PFV	914-0036-04	145-174	250	914-0037-09	25	370	940-0001-55
CR18KF-PFV	914-0036-04	145-174	250	914-0037-09	25	370	940-0001-55
CR20K6-PFV	914-0008-51	145-174	220	914-0037-10	30	370	940-0001-60
CR20KF-PFV	914-0008-51	145-174	220	914-0037-10	30	370	940-0001-60
CR22K6-PFV	914-0008-51	145-174	220	914-0037-10	30	370	940-0001-60
CR22KF-PFV	914-0008-51	145-174	220	914-0037-10	30	370	940-0001-60
CR24K6-PFV	914-0036-04	145-174	250	914-0037-11	35	370	940-0001-55
CR24KF-PFV	914-0036-04	145-174	250	914-0037-11	35	370	940-0001-55
CR26K6-PFV	914-0036-04	145-174	250	914-0037-11	35	370	940-0001-60
CR26KF-PFV	914-0036-04	145-174	250	914-0037-11	35	370	940-0001-60
CR28K6-PFV	914-0008-51	145-174	220	914-0037-11	35	370	940-0001-60
CR28KF-PFV	914-0008-51	145-174	220	914-0037-11	35	370	940-0001-60
CR30K6-PFV	914-0036-04	145-174	250	914-0037-11	35	370	940-0001-55
CR30KF-PFV	914-0036-04	145-174	250	914-0037-11	35	370	940-0001-55
CR32K6-PFV	914-0036-04	189-227	330	914-0037-17	35	440	940-0001-54
CR32KF-PFV	914-0036-04	145-174	250	914-0037-17	35	440	940-0001-54
CR33KQ-PFV	914-0006-03	189-227	330	914-0037-18	40	440	940-0001-54
CR34K6-PFV	914-0006-03	189-227	330	914-0037-40	50	370	940-0001-55
CR34KF-PFV	914-0006-03	189-227	330	914-0037-40	50	370	940-0001-55
CR34KQ-PFV	914-0006-03	189-227	330	914-0037-18	40	440	940-0001-54
CR35K6-PFV	914-0006-03	189-227	330	914-0037-12	40	370	940-0001-55
CR35KF-PFV	914-0006-03	189-227	330	914-0037-12	40	370	940-0001-55
CR36KQ-PFV	914-0006-03	189-227	330	914-0037-18	40	440	940-0001-54
CR37KQ-PFV	914-0006-03	189-227	330	914-0037-12	40	370	940-0001-60
CR38K6-PFV	914-0006-03	189-227	330	914-0037-18	40	440	940-0001-60
CR41KQ-PFV	914-0006-03	189-227	330	914-0037-20	50	440	940-0001-68
CR42K6-PFV	914-0006-03	189-227	330	914-0037-18	40	440	940-0001-68
CR47KQ-PFV	914-0006-03	189-227	330	914-0037-19	45	440	940-0001-54
CR53KQ-PFV	914-0006-03	189-227	330	914-0037-22	60	440	940-0001-59
CRA1-0150-PFV	914-0006-07	145-174	250	914-0037-09	25	370	940-0001-55
CRB1-0175-PFV	914-0006-07	145-174	250	914-0037-09	25	370	940-0001-55
CRC1-0175-PFV	914-0008-51	145-174	220	914-0037-10	30	370	940-0001-56
CRD1-0200-PFV	914-0006-07	145-174	250	914-0037-11	35	370	940-0001-55
CRE2-0225-PFV	914-0006-07	145-174	250	914-0037-11	35	370	940-0001-55
CRF2-0250-PFV	914-0006-07	145-174	250	914-0037-11	35	370	940-0001-55
CRG3-0250-PFV	914-0008-50	161-193	220	914-0037-12	40	370	940-0001-54

Electrical Components

“C” Compressors

Model	Start Capacitor			Run Capacitor			Relay
	Part Number	MFD	Volts	Part Number	MFD	Volts	
CRH3-0275-PFV	914-0006-03	189-227	330	914-0037-17	40	370	940-0001-55
CRI3-0290-PFV	914-0008-71	189-227	220	914-0037-18	40	440	940-0001-54
CRJ3-0300-PFV	914-0008-71	189-227	220	914-0037-11	35	440	940-0001-54
CRK3-0325-PFV	914-0006-03	189-227	330	914-0037-18	40	440	940-0001-64
CRL3-0350-PFV	914-0006-03	189-227	330	914-0037-18	40	440	940-0001-64
CRM3-0400-PFV	914-0006-03	189-227	330	914-0037-20	50	440	940-0001-68
CRN5-0500-PFV	914-0006-10	270-324	330	914-0037-21	55	440	940-0001-59
CRP5-0450-PFV	914-0006-03	189-227	330	914-0037-19	45	440	940-0001-68
CS10K6E-PFV	914-0008-51	145-174	220	914-0037-10	30	370	940-0001-60
CS12K6E-PFV	914-0008-51	145-174	220	914-0037-10	30	370	940-0001-60
CS14K6E-PFV	914-0036-04	145-174	250	914-0037-11	35	370	940-0001-55
CS18K6E-PFV	914-0036-04	145-174	250	914-0037-11	35	370	940-0001-55
CS20K6E-PFV	914-0006-03	189-227	330	914-0037-12	40	370	940-0001-55
CS27K3E-PFV	914-0006-03	189-227	330	914-0037-18	40	440	940-0001-64
CS33K3E-PFV	914-0006-03	189-227	330	914-0037-20	50	440	940-0001-68
CTH1-0275-CSV*	914-0006-11	145-174	330	914-0037-17	35	440	940-0001-84
CTL1-0350-CSV*	914-0006-11	145-174	330	914-0037-19	45	440	940-0001-86
CTM1-0400-CSV*	914-0006-12	175-216	330	914-0037-20	50	440	940-0001-83
CTN1-0501-CSV*	914-0006-12	175-216	330	914-0037-21	55	440	940-0001-85

*All CT models have a protector part number 071-0528-00.

Crankcase Heaters

“A” Compressors

Part No.	Voltage	Watts	Used On
918-0049-00	120	48	A*T
918-0049-01	240	48	A*T
918-0054-00	120	48	A*B and A*E
918-0054-01	240	48	A*B and A*E
918-0038-00	120	48	A*J
918-0038-02	240	48	A*J
918-0048-00	120	48	AF04-AF11, AF13, AFC1, AFD1, AFF1, AFG2, AFH2, AR13, AR17, AR25, AR27, AR37, AR41, ARC1, ARD1, ARD4, ARE1, ARE5, ARF2, ARF4, ARG2, ARG4-0051, AS10-AS14, AS19, AS24, AS32
918-0048-01	240	48	AF04-AF11, AF13, AFC1, AFD1, AFF1, AFG2, AFH2, AR13, AR17, AR25, AR27, AR37, AR41, ARC1, ARD1, ARD4, ARE1, ARE5, ARF2, ARF4, ARG2, ARG4-0051, AS10-AS14, AS19, AS24, AS32

“R” Compressors

Part No.	Voltage	Watts	Type	Used On
918-0038-00	120	45	wrap around	All 'R'
918-0038-02	240	45	wrap around	All 'R'

“C” Compressors

Part No.	Voltage	Watts	Type	Used On
918-0031-05	240/480/600	40		All CS, CT, CR (except CR*4)
918-0037-00	120	54	Wrap Around Crankcase Heater	All CR*4
918-0037-01	208	54	Wrap Around Crankcase Heater	All CR*4
918-0037-02	240	54	Wrap Around Crankcase Heater	All CR*4
918-0037-03	480	54	Wrap Around Crankcase Heater	All CR*4

Shipping Weight (lbs)

“A” Compressors

Shipping Weight	Model	Model
21	ARB17 and ARE27	AR13, ARC1, AF04, AR17, ARD1
24	AFE07, AFE10, AFE11, ARB13, ARE25, ARE36, ARE59, ARB21, ASE19, ASB12 and ASE32	AF05, AF07, AF10, AF11, AF13, AR25, AR27, ARD4, ARE1, ARE4, ARE5, ARF4, ARG4, AS12, AS14, AS19, and AS24
27	AFB04, AFB05, AFE13, AFT12, ARE43 and ASE24	AR37, AR41, ARF2, AS32, and ARG2
30	ARE37, ARE41, ART51, ART62 and AST40	AF12, AR51, and ARH1
33	AFT18, AFT22, and AFT26	AF18, AF22, AR62, ARK1, and AS40
36	AFT29 and AST54	AF29, AR26, and AS45
38	AST45 and ART64	AR64
43	ART97, ART69, ART82, and ASB14	AR84 and ARN3
45		ARN1
48		AF31
51	AFJ37	AF37, AR11, and ARM1

“R” Compressors

Model	Model
48	RR17K1-TFC
51	RR14K1, RR17K1-PFV, RS43C2E, RS55C2E-CAV, RS70C1E-TFC, RS70C1, and RS86C2E
54	RS80C2E, RS55C2E-CAA, and RS70C1E-PFV
56	

REB3, REK3, RES3, REY3-0175-PFV, and REZ3
REY3-0175-TFC, RRG4, RS80C1E, RF18C1E-IAA, RR10K1E, RR81C1E, RRL6, RRS4, RS40C1E, RS43C1E, RS54C1E, RS55C1E, RS64C1E, RS80C1E, RS97C1E-CAA, RSE4, RSF2, RSL2, RSL4, RSL5, RSN4-0050, RSN4-0075-IAV, RSN4-0075-PAA, RSN5, RSN6, RSU4, and RSU5
RF18C1E-IAV, RRL4, RS86C1E, RS97C1E-TFC, RSN4-0075-CAV, and RSN4-0075-IAA
RS97C1E-CAV

“C” Compressors

Model	Shipping Wt. (lbs.)	Model	Shipping Wt. (lbs.)
CF04K6E	75	CR (24-28) KF	65
CF06K6E	76	CR (30-35) KF	68
CF09K6E	80	CR (33-36) KQ	72
CF12K6E	72	CR (37-41) KQ	76
CR (A-F)	69	CS (10-14) K6E	68
CR (L, M)	80	CS (18-20) K6E	72
CR (N-T)	94	CS27K3E	72
CR (16-24) K6	70	CS33K3E	76
CR (26-32) K6	77	CT (H-M) 1	93
CR (34-42) K6	80	CTN1	98
CR (16-22) KF	62		

Miscellaneous Information

“C” Stub Tube to Rotalock

Stub Tube I.D.	Thread Size	Adapter Kit*	Teflon Seal
3/8"	1" - 14	998-0034-14	020-0028-00
1/2"	1" - 14	998-0034-15	020-0028-00
5/8"	1" - 14	998-0034-16	020-0028-00
3/4"	1-1/4" - 12	998-0034-01	020-0028-02
7/8"	1-1/4" - 12	998-0034-03	020-0028-02

* Includes adapter and teflon seal.

“R” Rotalock Adapters

Stub Tube to Rotalock

Stub Tube Size	Thread Size	Part Number
3/8" ID	1"-14	998-0034-14
1/2" ID	1"-14	998-0034-15

Rotalock to Stub Tube

Stub Tube Size	Thread Size	Part Number
1/2" ID	1"-14	998-0034-17
5/8" ID	1"-14	998-0034-18

“R” Standard Mounting Assembly

Model	Mounting (ft.)	Part Number
All 'R'	4	527-0039-04
All 'R'	3	527-0039-05

“R” Rotalock Service Valves

Part Number	Valve Size
998-0510-40	1/2" FL.
998-0510-41	5/8" FL.
998-0510-42	3/8" FL.
998-0510-43	3/8" SWT.
998-0510-44	1/2" SWT.
998-0510-45	5/8" SWT.

“R” External Mounting Springs

Model	Part Number
All 'R'	527-0107-00

Wholesaler Notes

Wholesaler Notes

Copeland® Brand HP Nomenclature

Code	Description
E	= High Efficiency
R	= High Temperature
T	= Two Speed

Compressor Motor Types		
Phase	Description	
Code		
1	Capacitor Run- Capacitor Start	C
1	Capacitor Run - Permanent Split Capacitor	P

Product Variations
Three-digit Bill of Material number that indicates compressor configuration and may include accessories

X X X X - X X X X - X X X - X X X

Compressor Family Series
Either a number or a letter established for each product model.

Displacement
A letter only, arbitrarily assigned for each different displacement within any one family series.

Model Variation
A number only, assigned to indicate different model types within any one family series.

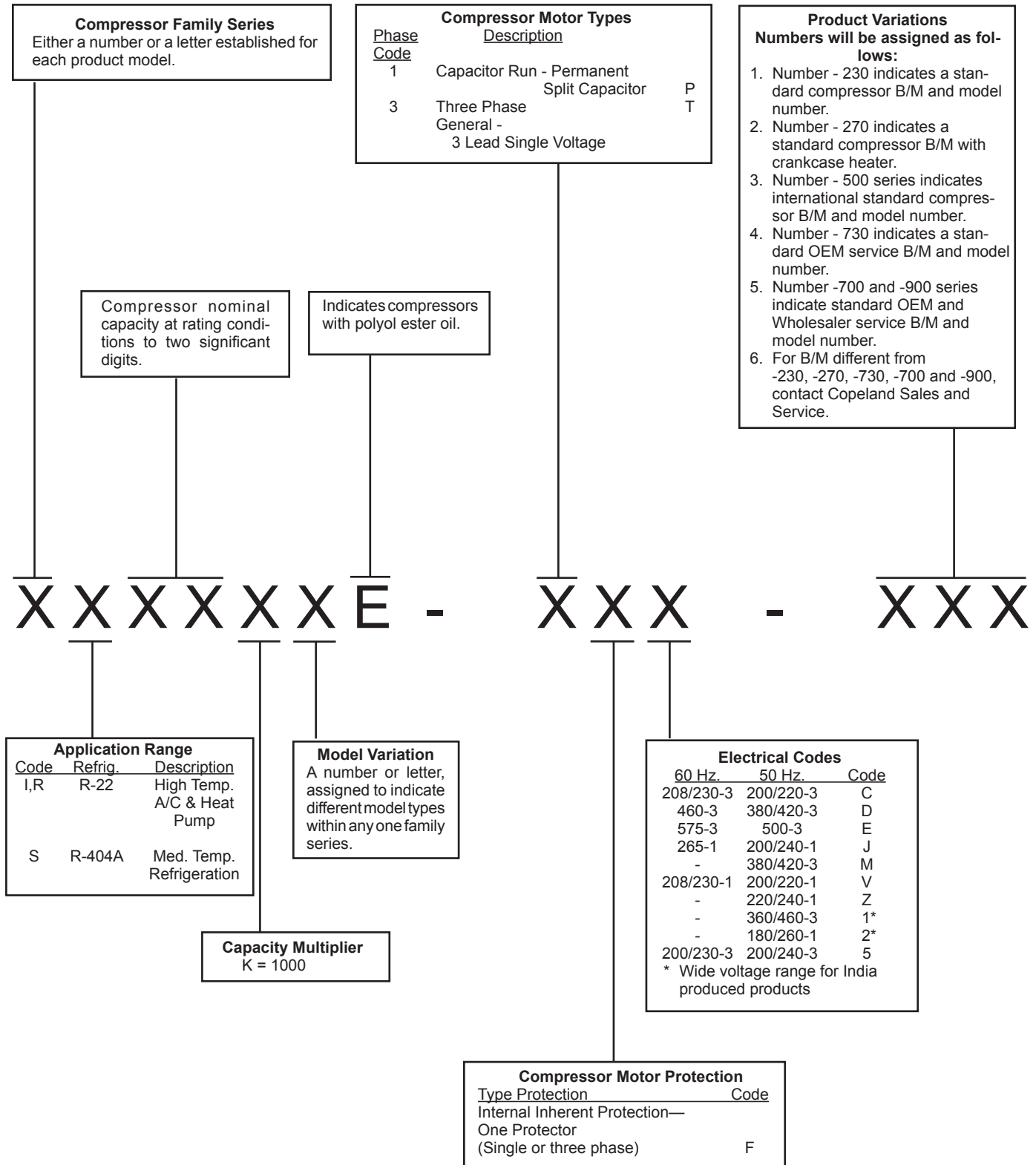
Comp. Motor Rating	
Nominal (HP)	Code
1-1/4	0125
1-1/2	0150
1-3/4	0175
2	0200
2-1/4	0225
2-3/4	0275
3	0275
3-1/2	0350
4	0400
4-1/2	0450
5	0500
7-1/2	7500
9	0900
10	1000
12	1200

Electrical Codes		
60 Hz.	50 Hz.	Code
208/230-3	200/220-3	C
460-3	380/420-3	D
575-3	500-3	E
265-1	220/240-1	J
-	380/420-3	M
208/230-1	200-1	V
-	220/240-1	Z
200/230-3	200/240-3	5

Compressor Motor Protection	
Type Protection	Code
Internal Thermal Protection— Electronic Sensors; and Control Module External Use with Contactor	S
Internal Inherent Protection— One Protector (Line Break)	F

Model Number BTUH Nomenclature

(Except Current "A" Models)



Copeland® Brand BTUH Nomenclature

(Current “A” Models)

Application Range		
Code	Description	Rating Point
S	Medium & Extended Temperature R-404A, R-22	20/120
F	Extended Medium R-134a, R-404A	-10/120
R	High Temperature R-134a	45/130

Compressor Motor Protection	
Type Protection	Code
Internal Thermal Protection— Electronic Sensors; and Control Module External Use with Contactor	S
Internal Inherent Protection— One Protector (Line Break) Use with Contactor	F
External Inherent Protection— One Protector (Line Break) Use with Contactor	A

Compressor Shell Series

Compressor Motor Types		
Phase	Description	Code
1	Capacitor Run - Capacitor Start	C
1	Induction Run - Capacitor Start	I
1	Capacitor Run - Permanent Split Capacitor	P
3	Three Phase	T
1	Induction Run-Split Phase	S

Product Variations
Three-digit Bill of Material number that indicates compressor configuration and may include accessories

X X X X X X X E - X X X - X X X

Compressor Family Series

Capacity Multiplier
C: 100
K: 1,000

Capacity
Compressor nominal capacity at 60 Hertz rating condition to two significant digits

Model Series Variation
A number or letter arbitrarily assigned to indicate different model types within any one family series.

Oil Identifier
“E” designates Polyol Ester.

Voltage Ranges (Typical)				
Family	Voltage Code	60 Hertz Rating		
		Rating	Min.	Max.
C,R	A	115-1	103	127
A	A	115-1	103	127
All	C	208/230-3	207	253
All	D	460-3	414	506
All	E	575-3	518	633
All	J	265-1	239	292
C,R	V	208/230-1	197	253
A	V	208/230-1	187	244
C,R	Z	-	-	-
A	Z	-	-	-

Tecumseh Nomenclature

AE	A	4	4	40	Y	XA
Compressor Family	Release Variant Generation	Application	Number of Digits In Rated BTU	First Two Digits of Rated BTU	Refrigerants	Voltage

AE
AG
AH
AJ
AK
AN
AV
AW
AZ
RG
RK
SA
SF
TP

A = 1st
B = 2nd
C = 3rd
ETC.

In this example (4) total digits, with the first two (40), or 4,000 BTU capacity.

PRIMARY REFRIGERANTS
A=R12
B=R410A
E=R22
J=R502
Y=R134a
Z=R404A/
507

Primary Application Parameters

Evap. Temp.	Rating Pt.	Motor Starting Torque
1. Low	-10 F	Normal
2. Low	-10 F	High
3. High	+45 F	Normal
4. High	+45 F	High
5. Air Cond.*	+45 F	Normal
6. Medium	+20 F	Normal
7. Medium	+20 F	High
8. Air Cond.	+49 F	Normal
9. Commercial	+20 F	High
0. Commercial	+20 F	Normal
A. Med/Low	+20 F	Normal

*Application "5" compressors when applied to units become application "4" in the unit's model number.

VOLTAGE CODES
XA= 115-60-1
XB= 230-60-1
XD= 208-230-60-1
XF= 208-230-60-3
XG= 460-60-3
XH= 575-60-3
XN=208-230-60-1
XP= 220-60-1
XT= 200-230-60-3
XU= 100-60-1
XV= 265-60-1
AB= 115-60-1

Bristol Nomenclature

1 = R12
 2 = R22
 4 = R134a
 5 = R502 (or HP81-Medium Temp. Systems)
 6 = 404A
 7 = R407C
 8 = R410A

A = 7.5 X 7.5
 B = 4.8 X 8.0
 C = 8.44 X 9.75
 D = 6.12 X 8.0
 E = 9.5 X 9.5
 F = 10.5 X 10.5
 H = 7.5 X 21.5
 J = 7.5 X 22.5

H	2	7	B	35Q	C	B	C	A
Application	Refrigerant	Special Features	Family Series	Capacity	Motor Type	Motor Protection	Electrical Characteristics	Mounting Feet Dimensions

H = High Temperature
 M = Medium Temperature
 L = Low Temperature

A = Model A
 B = Model B
 C = Scroll (<42K)
 D = Dual
 G = Model G
 R = Scroll (>42K)

A = 115/1/60
 B = 230/1/60
 C = 230-208/1/60
 D = 230-208/3/60
 E = 460/3/60
 F = 575/3/60
 G = 200/1/60
 H = 265/1/60
 L = 230-200/3/60
 M = 230-190/1/60
 P = 230-208/1/60 (Hi (No 50hz) Load 253-185v)
 T = 208/1/60
 U = 220-380/3/60
 W = 380-460/3/60
 X = 380/3/60
 Y = 230-208/3/60

Form No. 2000-40W R2 (10/06) Emerson®, Emerson. Consider It Solved™, Emerson Climate Technologies™ and the Emerson Climate Technologies™ logo are the trademarks and service marks of Emerson Electric Co. and are used with the permission of Emerson Electric Co. Copeland® and the Copeland® brand products logo are the trademarks and service marks of Emerson Climate Technologies, Inc. All other trademarks are the property of their respective owners. Printed in the USA. © 2000 Emerson Climate Technologies, Inc. All rights reserved.

Copeland®
brand products

1675 W. Campbell Rd.
Sidney, Ohio 45365
EmersonClimate.com
(937) 498-3011