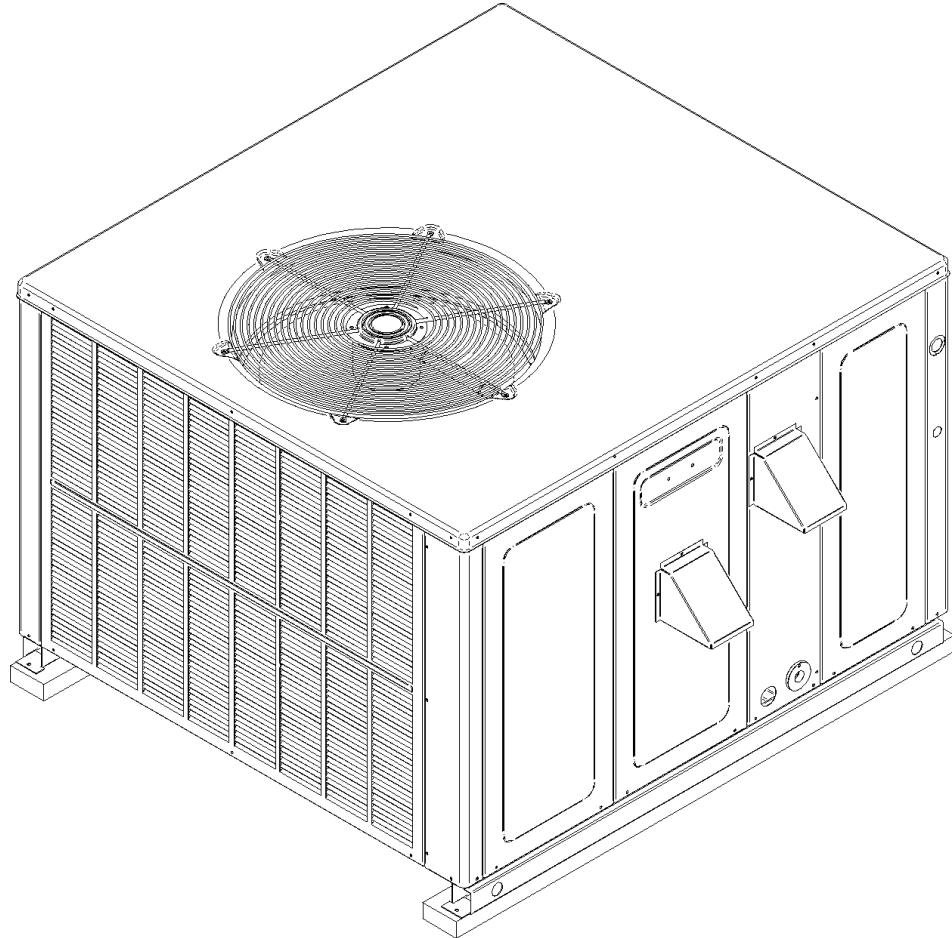


# REPAIR PARTS

## APG 15 SEER Package Gas-Electric Units

APG152407041AA  
APG153609041AA  
APG154811541AA  
APG154811541AB  
APG156014041AA  
APG156014041AB



Amana is a trademark of Maytag Corporation and used under license to Goodman Company, L.P. All rights reserved.

This manual is to be used by qualified technicians only.

[www.amana-hac.com](http://www.amana-hac.com)

RP-445A  
October 2007

This manual replaces RP-445.  
Copyright © 2007 Goodman Company, L.P.

# Important Information

---

## Index

Functional Parts List .....	3
Illustration and Parts .....	4 - 15

*Views shown are for parts illustrations only, not servicing procedures*

Rev. A: Added models APG154811541AB and APG156014041AB.

### Text Codes:

AR - As Required

NA - Not Available

NS - Not Shown

00000000 - See Note

QTY - Quantity Example (QTY 3) (If Quantity not shown, Quantity = 1)

M - Model Example (M1) (If M Code not shown, then part is used on all Models)

### Expanded Model Nomenclature:

Example M1 - Model#1 M2 - Model#2 M3 - Model#3
---

Goodman Company, L.P. is not responsible for personal injury or property damage resulting from improper service. Review all service information before beginning repairs.

Warranty service must be performed by an authorized technician, using authorized factory parts. If service is required after the warranty expires, Goodman Company, L.P. also recommends contacting an authorized technician and using authorized factory parts.

Goodman Company, L.P. reserves the right to discontinue, or change at any time, specifications or designs without notice or without incurring obligations.

For assistance within the U.S.A. contact:

Consumer Affairs Department  
Goodman Company, L.P.  
7401 Security Way  
Houston, Texas 77040  
877-254-4729-Telephone  
713-863-2382-Facsimile

For assistance outside the U.S.A. contact:

International Division  
Goodman Company, L.P.  
7401 Security Way  
Houston, Texas 77040  
713-861-2500-Telephone  
713-863-2382-Facsimile

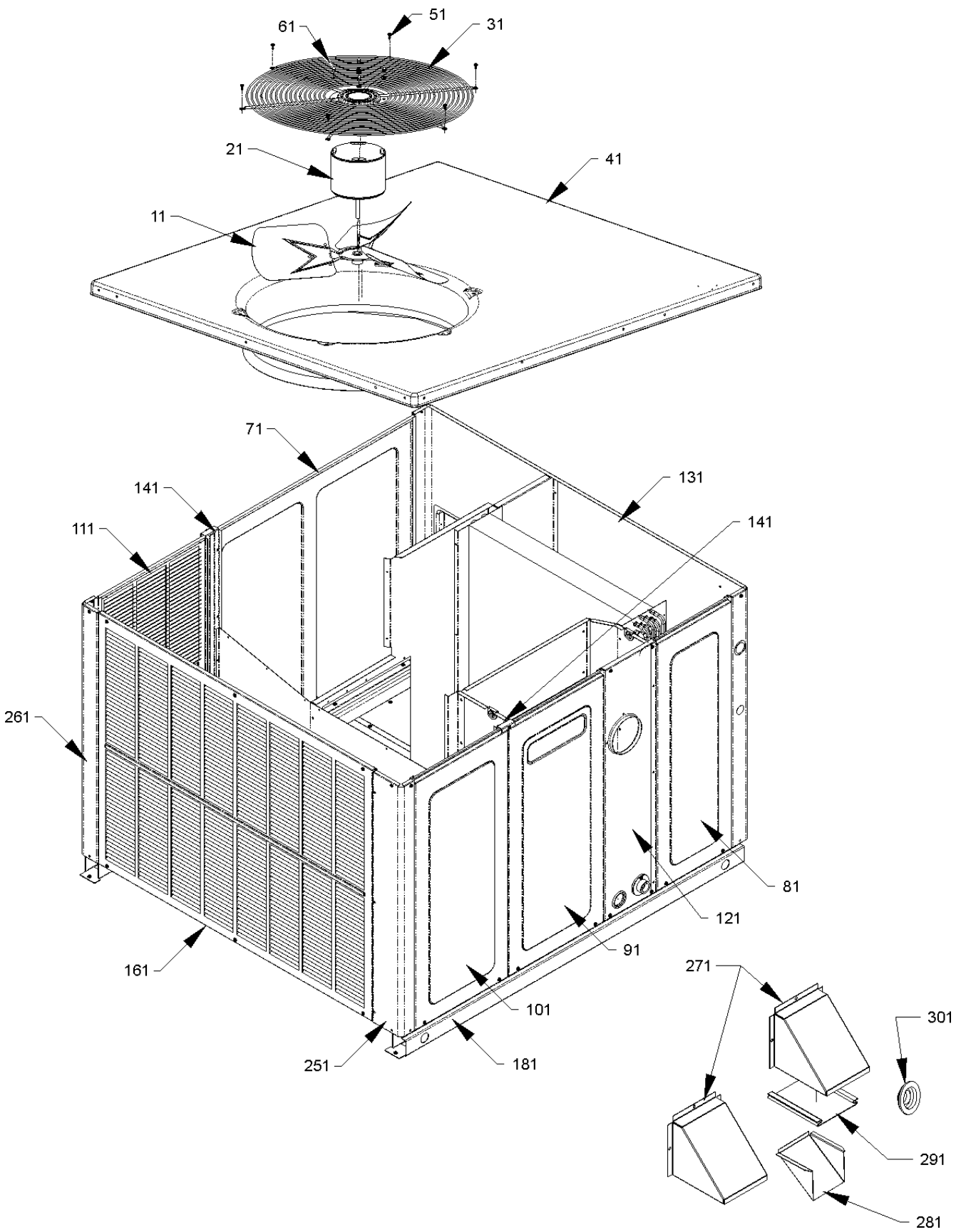
# Functional Parts

**Part  
No:**

**Description:**

Part No:	Description:	Part No:	Description:
20269903	AUXILIARY LIMIT, AUTO-RESET	0130M00018	HIGH PRESSURE SWITCH
10735102S	BECKETT BURNER (QTY 3)	0131G00001S	ID BLOWER
0231K00061	BLOWER MOTOR 1 HP PROGRAMMED X13 (M5, M6)	0130F00014	IGNITOR
0231K00059	BLOWER MOTOR 1/2 HP PROGRAMMED X13 (M1)	PCBAG100	INTEGRATED DSI MODULE
0231K00060	BLOWER MOTOR 1/2 HP PROGRAMMED X13 (M2)	10728344	LIMIT SWITCH (M3, M4)
0231K00062	BLOWER MOTOR 3/4 HP PROGRAMMED X13 (M3, M4)	10728343	LIMIT SWITCH (M1, M2, M5, M6)
CAP050350370RSS	CAPACITOR 5/35/370V [CONTROL BOX] (M1)	0130M00019	LOW PRESSURE SWITCH
CAP050400370RSS	CAPACITOR 5/40/370V [CONTROL BOX] (M2)	20493103	MANIFOLD- 3 BRNR 32" (M1)
CAP050450370RS	CAPACITOR 5/45/370V [CONTROL BOX] (M3, M4)	20493104	MANIFOLD- 4 BRNR 32" (M2)
CAP050800370RTS	CAPACITOR 5/80/370V [CONTROL BOX] (M5, M6)	20493106	MANIFOLD- 5 BRNR 38" (M3, M4)
ZP20K5EPFV830	COMPRESSOR 20000, 208/230/60/1 (M1)	20493107	MANIFOLD- 6 BRNR 38" (M5, M6)
ZPS30K4EPFV930	COMPRESSOR 30000, 208/230/60/1/2STG (M2)	10123529	MANUAL RESET LIMIT 300°F
ZPS40K4EPFV930	COMPRESSOR 40000, 208/230/60/1/2STG (M3, M4)	10716003	ORIFICE (QTY AR)
ZPS51K4EPFV930	COMPRESSOR 52000, 208/230/60/1/2STG (M5, M6)	11112501S	PRESSURE SWITCH [HT EXCH]
B1488807S	COMPRESSOR SOUND BLANKET (M1)	B1141643	TRANSFORMER 208/230, 24V
B1488806S	COMPRESSOR SOUND BLANKET (M2, M3, M4, M5, M6)	0201G00072S	TUBING ASSY, COND COIL (M3, M4, M5, M6)
0131M00008PS	COND MOTOR 1/3 HP, 1 SP, 6 PL (M3, M5)	0201G00084S	TUBING ASSY, COND COIL (M1)
0131M00007PS	COND MOTOR 1/4 HP, 1 SP, 8 PL (M2, M4, M6)	0201G00086S	TUBING ASSY, COND COIL (M2)
0131M00009PS	COND MOTOR 1/6 HP, 1 SP, 8 PL (M1)	0202G00103S	TUBING ASSY, EVAP COIL (M2)
CONT1P025024VS	CONTACTOR 25 AMP, 1P, 24V [CONTROL BOX] (M2)	0202G00104S	TUBING ASSY, EVAP COIL (M3, M4, M5, M6)
CONT1P025024VS	CONTACTOR 25 AMP, 1P, 24V [CONTROL BOX] (M1)	0202G00102S	TUBING ASSY, EVAP COIL (M1)
CONT1P030024VS	CONTACTOR 30 AMP, 1P, 24V [CONTROL BOX] (M3, M4)	0259G00027	WIRE HARNESS, 6 CIRCUIT
CONT2P040024VS	CONTACTOR 40 AMP, 2P, 24V [CONTROL BOX] (M5, M6)	0259G00044	WIRE HARNESS, 9 CIRCUIT
BT1369070	EXPANSION VALVE (M3, M4, M5, M6)	0259G00026	WIRE HARNESS, COMPRESSOR (M2, M3, M4, M5, M6)
BT1369068S	EXPANSION VALVE (M1, M2)	0259G00031	WIRE HARNESS, ECONOMIZER (M2, M3, M4, M5, M6)
B5134711	FILTER DRIER	0259G00041	WIRE HARNESS, FAN MOTOR (M1)
0130F00010	FLAME SENSOR		
B1314800	FLOWRATOR [EVAP] (M2, M3, M4, M5, M6)		
B1314400	FLOWRATOR [EVAP] (M1)		
0151F00000P	GAS VALVE		
4305023S	HEAT EXCHANGER ASSY (M1)		
4305026S	HEAT EXCHANGER ASSY (M5, M6)		
4305016S	HEAT EXCHANGER ASSY (M2)		
4305018S	HEAT EXCHANGER ASSY (M3, M4)		
			<b>SPECIAL PARTS</b>
		B10259253	AMANA LABEL
		IO-325A	INSTALLATION INSTRUCTION
		IO-653C	INSTRUCTION, COMBUSTION AIR INTAKE HOOD
		RP-445A	REPAIR PARTS MANUAL
		HI-116	USERS MANUAL
			Expanded Model Nomenclature
			M1 - APG152407041AA
			M2 - APG153609041AA
			M3 - APG154811541AA
			M4 - APG154811541AB
			M5 - APG156014041AA
			M6 - APG156014041AB

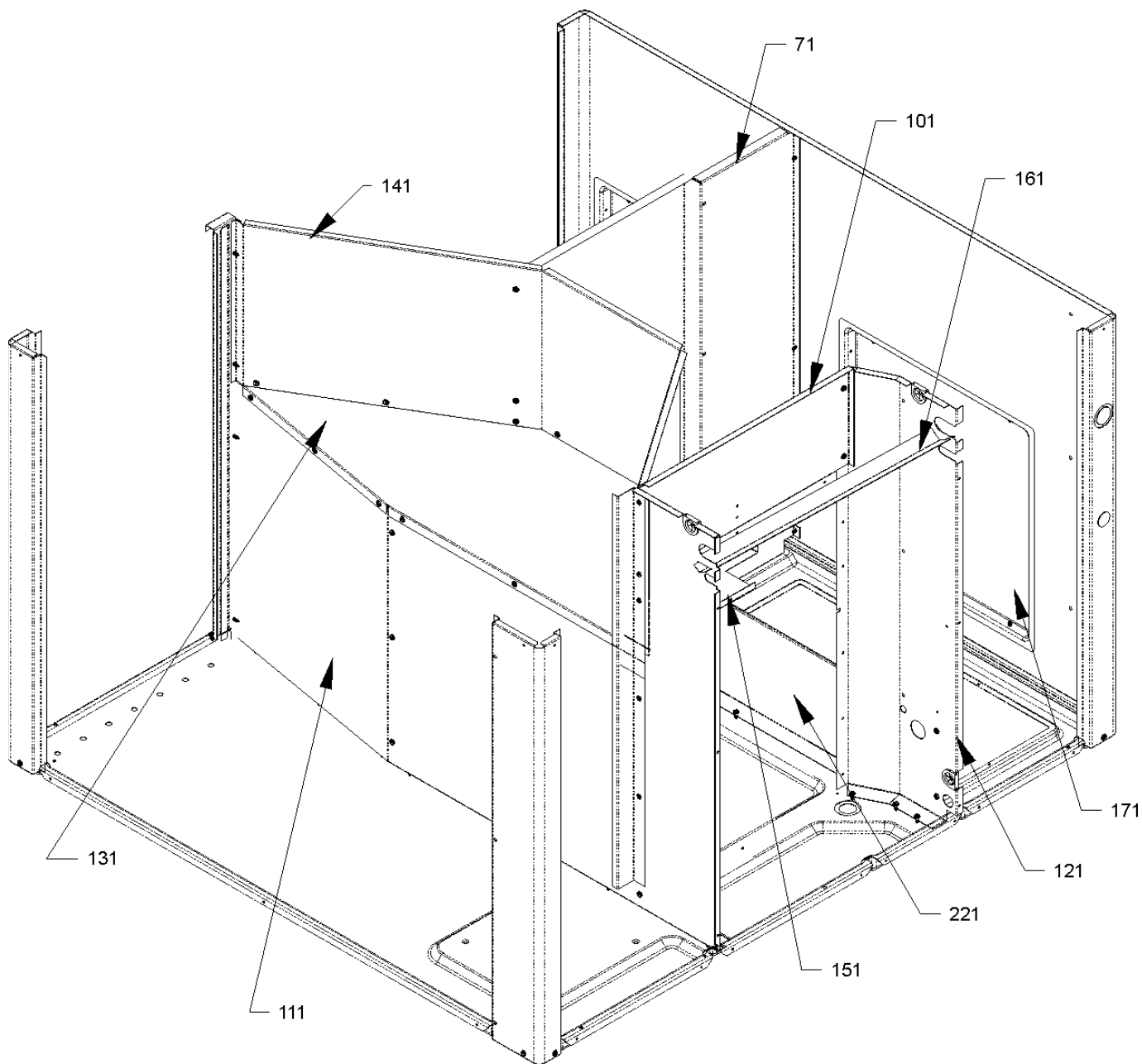
# Top Panel/Fan/Cabinet



# Top Panel/Fan/Cabinet

Ref Part No:	Description:	Ref. Part No:	Description:
<i>Image 1:</i>		Expanded Model Nomenclature	
11	B1086773S	FAN BLADE 22" DIA. (M1, M2)	M1 - APG152407041AA
11	0150M00011S	FAN BLADE, SWEPT-WING (M3, M4, M5, M6)	M2 - APG153609041AA
21	0131M00008PS	COND MOTOR 1/3 HP, 1 SP, 6 PL (M3, M5)	M3 - APG154811541AA
21	0131M00007PS	COND MOTOR 1/4 HP, 1 SP, 8 PL (M2, M4, M6)	M4 - APG154811541AB
21	0131M00009PS	COND MOTOR 1/6 HP, 1 SP, 8 PL (M1)	M5 - APG156014041AA
31	B1376923	FAN GRILL GUARD LRG	M6 - APG156014041AB
41	20466001PDGS	TOP PANEL	
51	0163M00003P	SCREW, #10 X 1/2, A, SLOT, SR, BLK (QTY 6)	
61	0163M00006P	ACORN NUT 5/16 HEX BLACK (QTY 4)	
71	20464801PDG	BLOWER DOOR 32" (M1, M2)	
71	20464806PDG	BLOWER DOOR 40" (M3, M4, M5, M6)	
81	20464802PDG	EVAP/CONTROL DOOR 32" (M1, M2)	
81	20464807PDGS	EVAP/CONTROL DOOR 40" (M3, M4, M5, M6)	
91	0121G00179DG	HEAT EXCHANGER DOOR 32" (M1, M2)	
91	0121G00181DG	HEAT EXCHANGER DOOR 40" (M3, M4, M5, M6)	
101	20464804PDG	COMPRESSOR DOOR 32" (M1, M2)	
101	20464809PDG	COMPRESSOR DOOR 40" (M3, M4, M5, M6)	
111	20467701PLG	LOUVERED PANEL, COND SIDE 32" (M1, M2)	
111	20467702PLG	LOUVERED PANEL, COND SIDE 40" (M3, M4, M5, M6)	
121	20466101PDG	UTILITY PANEL 32" (M1, M2)	
121	20466102PDG	UTILITY PANEL 40" (M3, M4, M5, M6)	
131	0121G00239DG	DUCT PANEL 32.5" (M1, M2)	
131	0121G00240DG	DUCT PANEL 40" (M3, M4, M5, M6)	
141	0121G00208	SUPPORT POST 32" (M1, M2)	
141	0121G00209	SUPPORT POST 40" (M3, M4, M5, M6)	
161	20464401PLG	LOUVERED PANEL, COND SIDE 32" (M1, M2)	
161	20464402PLG	LOUVERED PANEL, COND SIDE 40" (M3, M4, M5, M6)	
181	0121G00195	BASEPAN RAIL (QTY 2)	
251	20464201PDG	CORNER POST, COMPRESSOR END 32" (M1, M2)	
251	20464202PDG	CORNER POST, COMPRESSOR END 40" (M3, M4, M5, M6)	
261	20464301PDG	CORNER POST, HAIRPIN END 32" (M1, M2)	
261	20464302PDG	CORNER POST, HAIRPIN END 40" (M3, M4, M5, M6)	
271	20465601PDG	FLUE HOOD (QTY 2)	
281	0121G00190	FLUE HOOD, LOWER	
291	20472601	FLUE HOOD SCREEN	
301	B1910012	GAS LINE GROMMET	
NS	B10259253	AMANA LABEL	
NS	17788000083F	CONDUIT 8.25" PVC	
NS	0270G00070S	FLUE HOOD ASSY	
NS	0259G00041	WIRE HARNESS, FAN MOTOR (M1)	

# Partition Panels



# Partition Panels

Ref Part No:	Description:	Ref. Part No:	Description:
--------------	--------------	---------------	--------------

Image 1:

71	20465305	BLOWER DIVIDER (M1)
71	20465304	BLOWER DIVIDER 32" 10 X 9 (M2)
71	20465302	BLOWER DIVIDER 38 (M3, M4, M5, M6)
101	20465201	FILLER PANEL, HEAT EXCHANGER 32" (M1, M2)
101	20465202	FILLER PANEL, HEAT EXCHANGER 40" (M3, M4, M5, M6)
111	0121G00198	PARTITION PANEL 32.5" (M1, M2)
111	0121G00199	PARTITION PANEL 40" (M3, M4, M5, M6)
121	20465501	EVAP/HEAT EXCHANGER DIVIDER 32" (M1, M2)
121	20465502	EVAP/HEAT EXCHANGER DIVIDER 38 (M3, M4, M5, M6)
131	20465701	FAN PARTITION SHELF
141	20465801	FAN SURROUND 32" (M1, M2)
141	20465802	FAN SURROUND 40" (M3, M4, M5, M6)
151	20472501	SHIELD, HEAT EXCHANGER TUBES
161	20496801	DRAIN CHANNEL, SUCTION TUBE
171	20464501PDG	BACK DUCT COVER 27" & 32" (M1, M2)
171	20464502PDG	BACK DUCT COVER 40" (M3, M4, M5, M6)
221	20463802	EVAP/BASEPAN BLOCK 32" (M1, M2)
221	20463801	EVAP/BASEPAN BLOCK 40" (M3, M4, M5, M6)

Expanded Model Nomenclature

M1 - APG152407041AA
M2 - APG153609041AA
M3 - APG154811541AA
M4 - APG154811541AB
M5 - APG156014041AA
M6 - APG156014041AB

# Basepan/Blower Assembly

Image 1

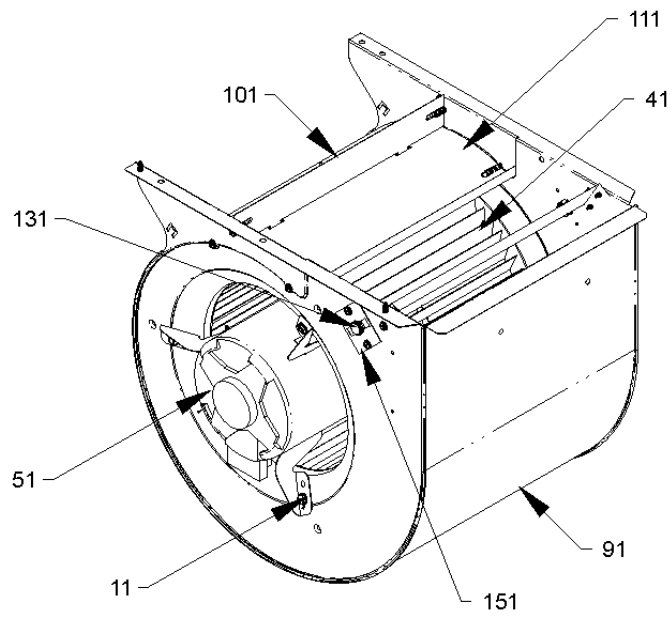
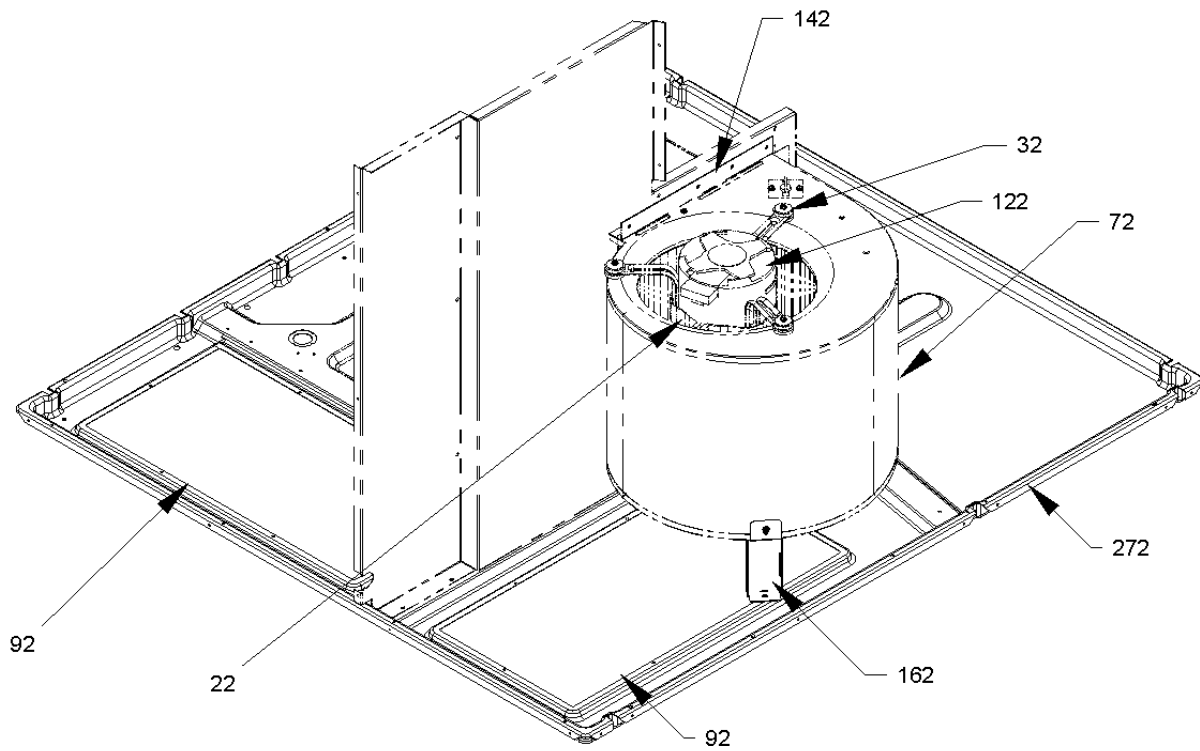


Image 2





# Basepan/Blower Assembly

Ref Part No:	Description:	Ref. Part No:	Description:
--------------	--------------	---------------	--------------

*Image 1:*

11	M0250565	TC SCREW 1.25" (QTY 3)
41	D6723303S	BLOWER WHEEL (M2)
41	B1368058S	BLOWER WHEEL 10 X 8 (M1)
41	B1368000S	BLOWER WHEEL 11 X 10 (M3, M4, M5, M6)
51	0231K00059	BLOWER MOTOR 1/2 HP PROGRAMMED X13 (M1)
51	0231K00060	BLOWER MOTOR 1/2 HP PROGRAMMED X13 (M2)
91	0271F00001P	BLOWER HOUSING ASSY 10 X 8-2 SPD UF (M1)
91	0271G00024	BLOWER HOUSING ASSY 10 X 9 (M2)
101	764742	BLOWER BLOCK-OFF (M2)
101	764740F	BLOWER BLOCK-OFF 10X8 (M1)
111	1864703	BLOWER CUT-OFF (M3, M4, M5, M6)
131	20269903	AUXILIARY LIMIT, AUTO-RESET
151	2509503F	BRACKET, AUXILIARY LIMIT
NS	B1393800	LOCKNUT, NYLON, INSERT 1/4, 20
NS	B1393323	MACHINE SCREW HWH 1/4-20X1 1/2 BZ

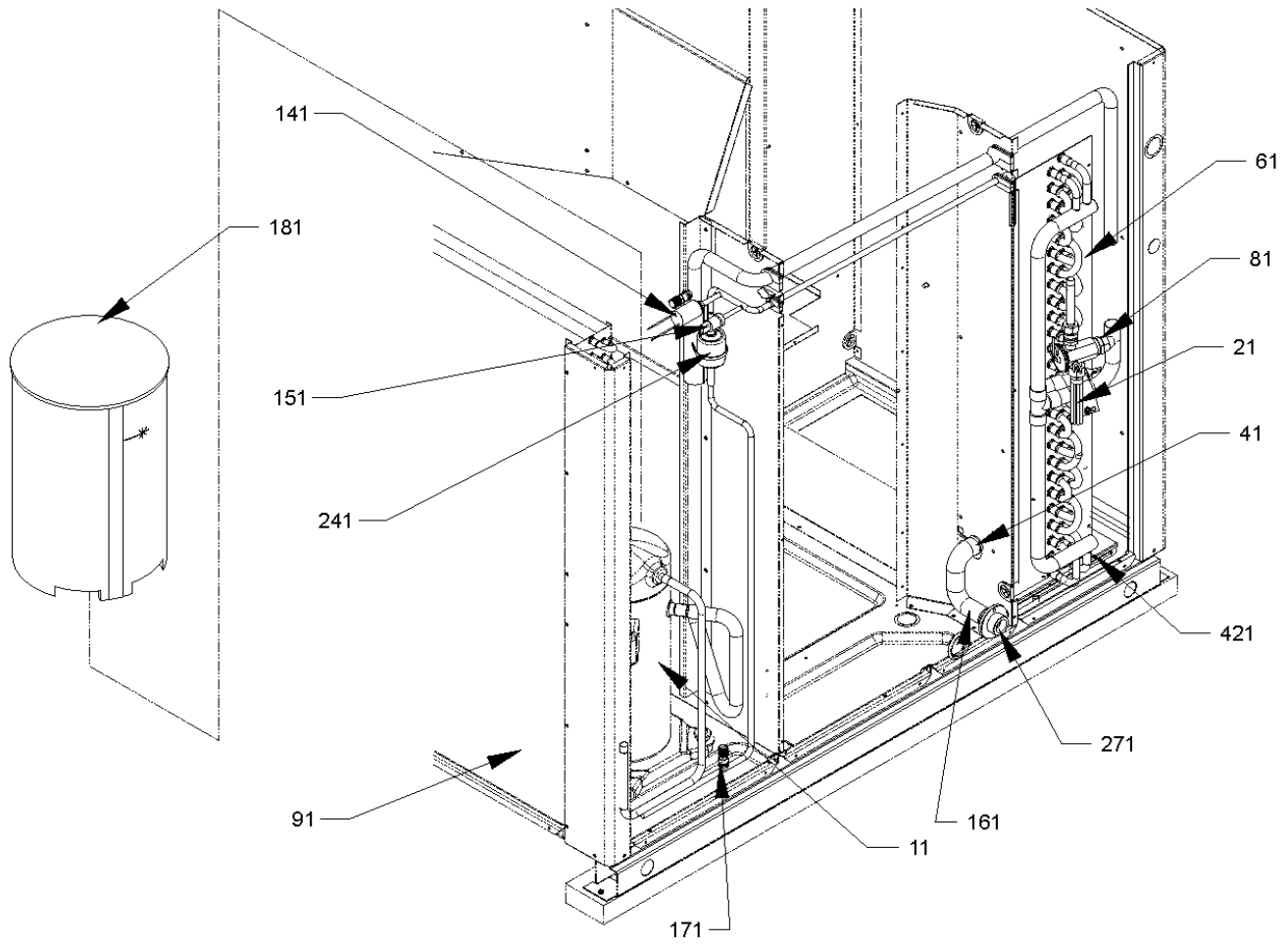
*Image 2:*

22	0121M00038	MOTOR MOUNT BAND
32	B1376857	MOTOR MOUNT ARM (QTY 3)
72	2539309S	BLOWER HOUSING ASSY 11 X 10 (M3, M4, M5, M6)
92	0121G00148	SINGLE COVER, DOWN DISCHARGE (QTY 2)
122	0231K00061	BLOWER MOTOR 1 HP PROGRAMMED X13 (M5, M6)
122	0231K00062	BLOWER MOTOR 3/4 HP PROGRAMMED X13 (M3, M4)
142	20463701	11 X 10 BLOWER MOUNTING (M3, M4, M5, M6)
162	4322801	11 X 10 BLOWER SUPPORT LRG (M3, M4, M5, M6)
272	0121G00222	BASEPAN

Expanded Model Nomenclature

M1 - APG152407041AA
M2 - APG153609041AA
M3 - APG154811541AA
M4 - APG154811541AB
M5 - APG156014041AA
M6 - APG156014041AB

# Compressor/Tubing Assembly



# Compressor/Tubing Assembly

Ref Part No:	Description:	Ref. Part No:	Description:
--------------	--------------	---------------	--------------

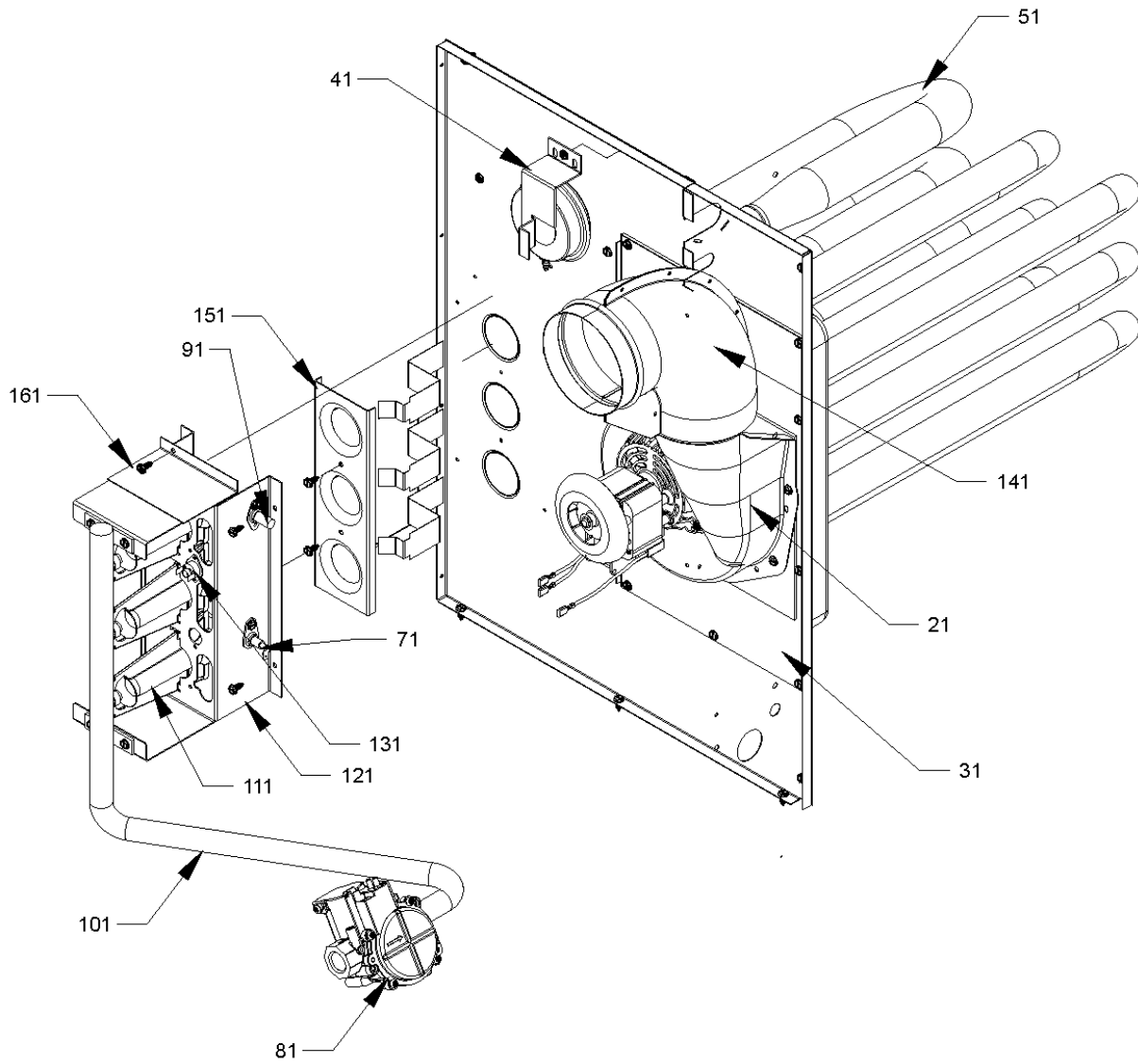
Image 1:

11	ZP20K5EPFV830	COMPRESSOR 20000, 208/230/60/1 (M1)
11	ZPS30K4EPFV930	COMPRESSOR 30000, 208/230/60/1/2STG (M2)
11	ZPS40K4EPFV930	COMPRESSOR 40000, 208/230/60/1/2STG (M3, M4)
11	ZPS51K4EPFV930	COMPRESSOR 52000, 208/230/60/1/2STG (M5, M6)
21	B1314400	FLOWRATOR [EVAP] (M1)
21	B1314800	FLOWRATOR [EVAP] (M2, M3, M4, M5, M6)
41	B1810011	HOSE CLAMP 1.25 (QTY 2)
51	0202G00102S	TUBING ASSY, EVAP COIL (M1)
61	0202G00103S	TUBING ASSY, EVAP COIL (M2)
61	0202G00104S	TUBING ASSY, EVAP COIL (M3, M4, M5, M6)
81	BT1369068S	EXPANSION VALVE (M1, M2)
81	BT1369070	EXPANSION VALVE (M3, M4, M5, M6)
91	0201G00072S	TUBING ASSY, COND COIL (M3, M4, M5, M6)
91	0201G00084S	TUBING ASSY, COND COIL (M1)
91	0201G00086S	TUBING ASSY, COND COIL (M2)
141	0130M00018	HIGH PRESSURE SWITCH
151	0130M00019	LOW PRESSURE SWITCH
161	20498302	DRAIN TUBE 32" (M1, M2)
161	20498301	DRAIN TUBE 40" (M3, M4, M5, M6)
171	B9102097	CAP W/O-RING (QTY 2)
181	B1488806S	COMPRESSOR SOUND BLANKET (M2, M3, M4, M5, M6)
181	B1488807S	COMPRESSOR SOUND BLANKET (M1)
241	B5134711	FILTER DRIER
271	20513001	EVAP DRAIN FITTING
421	20464901	DRIP PAN, EVAP COIL
NS	B1373305	ACCESS FITTING
NS	B1373315	ACCESS FITTING (QTY 2)
NS	B1339533	COMPRESSOR GROMMET (QTY 4)
NS	4322800	EVAP DRIP SHIELD
NS	M0221641	TF SHOULDER SCREW (QTY 4)

Expanded Model Nomenclature

M1 - APG152407041AA
M2 - APG153609041AA
M3 - APG154811541AA
M4 - APG154811541AB
M5 - APG156014041AA
M6 - APG156014041AB

# Heat Exchanger/Manifold/Gas Valve



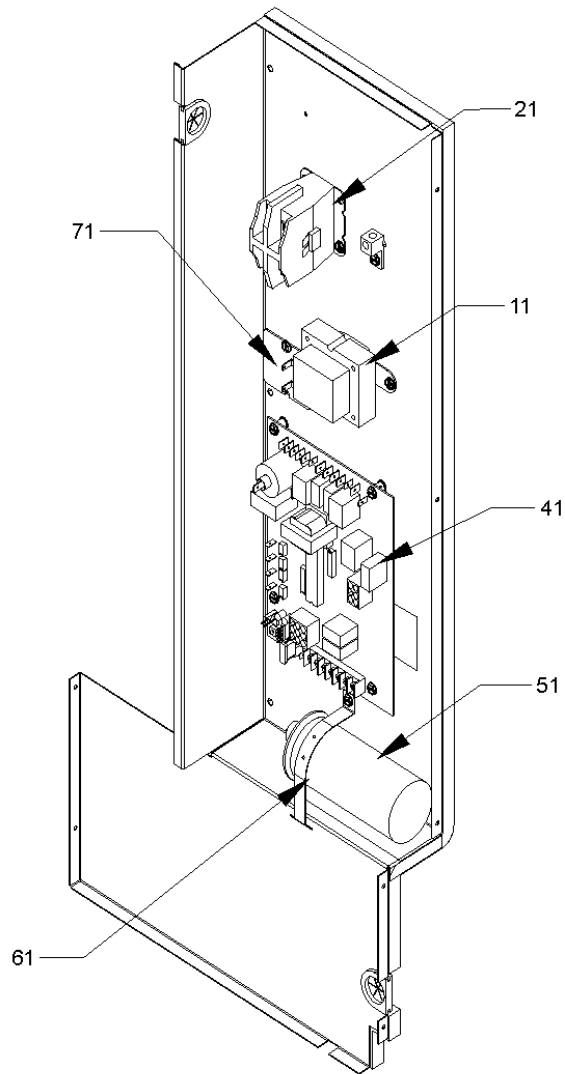
# Heat Exchanger/Manifold/Gas Valve

Ref Part No:	Description:	Ref. Part No:	Description:
<i>Image 1:</i>			
21	0131G00001S		ID BLOWER
31	20463102		ID BLOWER PLATE 3 BRNR SML (M1)
31	20463103		ID BLOWER PLATE 4 BRNR SML (M2)
31	0121G00218		ID BLOWER PLATE 5 BRNR LRG (M3, M4)
31	20463203		ID BLOWER PLATE 6 BRNR LRG (M5, M6)
41	11112501S		PRESSURE SWITCH [HT EXCH]
51	4305016S		HEAT EXCHANGER ASSY (M2)
51	4305018S		HEAT EXCHANGER ASSY (M3, M4)
51	4305023S		HEAT EXCHANGER ASSY (M1)
51	4305026S		HEAT EXCHANGER ASSY (M5, M6)
71	0130F00014		IGNITOR
81	0151F00000P		GAS VALVE
91	0130F00010		FLAME SENSOR
101	20493103		MANIFOLD- 3 BRNR 32" (M1)
101	20493104		MANIFOLD- 4 BRNR 32" (M2)
101	20493106		MANIFOLD- 5 BRNR 38" (M3, M4)
101	20493107		MANIFOLD- 6 BRNR 38" (M5, M6)
111	10735102S		BECKETT BURNER (QTY 3)
121	20190411		BURNER BRACKET 3B (M1)
121	20190412		BURNER BRACKET 4B (M2)
121	20190413		BURNER BRACKET 5B (M3, M4)
121	20190414		BURNER BRACKET 6B (M5, M6)
131	10123529		MANUAL RESET LIMIT 300°F
141	20484401W		ELBOW-FLUE LEFT
141	20484402W		ELBOW-FLUE RIGHT
151	11072202		ORIFICE SHIELD (M1)
151	11072203		ORIFICE SHIELD (M2)
151	11072204		ORIFICE SHIELD (M3, M4)
151	11072205		ORIFICE SHIELD (M5, M6)
161	11190202		HEAT DEFLECTOR
NS	20463001		ID BLOWER PLATE GASKET LRG (M3, M4, M5, M6)
NS	20462801		ID BLOWER PLATE GASKET SML (M1, M2)
NS	10716003		ORIFICE (QTY AR)
NS	A3468601		PRESSURE SWITCH HOSE [HT EXCH]

## Expanded Model Nomenclature

M1 - APG152407041AA
M2 - APG153609041AA
M3 - APG154811541AA
M4 - APG154811541AB
M5 - APG156014041AA
M6 - APG156014041AB

# Control Panel



# Control Panel

Ref. Part No:	Description:	Ref. Part No:	Description:
<i>Image 1:</i>			
11	B1141643		TRANSFORMER 208/230, 24V
21	CONT1P025024VS		CONTACTOR 25 AMP, 1P, 24V [CONTROL BOX] (M1)
21	CONT1P025024VS		CONTACTOR 25 AMP, 1P, 24V [CONTROL BOX] (M2)
21	CONT1P030024VS		CONTACTOR 30 AMP, 1P, 24V [CONTROL BOX] (M3, M4)
21	CONT2P040024VS		CONTACTOR 40 AMP, 2P, 24V [CONTROL BOX] (M5, M6)
41	PCBAG100		INTEGRATED DSI MODULE
51	CAP050350370RSS		CAPACITOR 5/35/370V [CONTROL BOX] (M1)
51	CAP050400370RSS		CAPACITOR 5/40/370V [CONTROL BOX] (M2)
51	CAP050450370RS		CAPACITOR 5/45/370V [CONTROL BOX] (M3, M4)
51	CAP050800370RTS		CAPACITOR 5/80/370V [CONTROL BOX] (M5, M6)
61	20520901		CAPACITOR STRAP
71	10728343		LIMIT SWITCH (M1, M2, M5, M6)
71	10728344		LIMIT SWITCH (M3, M4)
NS	0159G00002		COMPRESSOR HARNESS (M1)
NS	0159G00001		COMPRESSOR SOLENOID CABLE (M2, M3, M4, M5, M6)
NS	0259G00027		WIRE HARNESS, 6 CIRCUIT
NS	0259G00044		WIRE HARNESS, 9 CIRCUIT
NS	0259G00026		WIRE HARNESS, COMPRESSOR (M2, M3, M4, M5, M6)
NS	0259G00031		WIRE HARNESS, ECONOMIZER (M2, M3, M4, M5, M6)

## Expanded Model Nomenclature

- M1 - APG152407041AA
- M2 - APG153609041AA
- M3 - APG154811541AA
- M4 - APG154811541AB
- M5 - APG156014041AA
- M6 - APG156014041AB