



INSTRUCTION SHEET

NUMBER

IS 100-3.2A

Effective: June 25, 1983
Supersedes: IS100-3.2A
dated 1/15/83

MODELS

555-1/2"
556-3/4"
557-1"

560-1/2"
561-3/4"
562-1"

571-3/4"
572-1"
573-1 1/4"

ZONE VALVES

Plant ID. No. 001-302

TO SERVICE



1—Twist off Power Head *



2—Remove the 4 Screws from hold down plate



—Remove seat assembly

TO RE-ASSEMBLE

Reverse above procedure pushing down on seat assembly and hold down plate against return spring.

APPLICATION

The Taco-Zone Valve is an electricity operated valve used for zone control of Hydronic Heating and/or Cooling Systems. It controls the flow of water in a room or zone in response to the demands of the room or zone thermostat. This valve is a precisely made device and must be installed with care.

RATING

Electrical:	volts	24
	amps	0.9
Temperature range, max.		240F (115C)
	min.	40F (5C)
Working pressure (at valve, including pump head)		125PSI (861kPa)
Maximum differential pressure across valve (pump head)		
	555-557	150 Ft. (46m)
	560-562, 571-573	65 Ft. (20m)

Size	Pressure Drop Characteristics			
	C _v	K _v	Equiv. Length of Pipe	
			Feet	Meters
1/2"	4.2	3.6	8	2.4
3/4"	6.1	5.3	20	6.1
1"	7.0	6.1	65	19.8
1 1/4"	7.2	6.2	150	45.7

INSTALLATION

Valves should be installed vertically, to simplify replacement or cleaning of the seat, if ever required at some future date. The vertical installation permits drawing a vacuum in the system and replacing or cleaning the seat without draining the system.

When installing 560 Series Valves make sure that flow is in at the unit and by-pass connections and out at the main connection as shown in Fig. 8 and Fig. 9.

Valve may be sweat into the line without taking apart, provided, care is taken to prevent overheating. Follow these simple instructions:—

1. Use a torch with sharp, pointed flame.
2. Clean surfaces thoroughly and use a good grade of flux.
3. Use 50-50 or 60-40 solder. If grades of solder requiring higher temperatures are used, such as silver solder, the valve must be dismantled.
4. Avoid excessive use of flux.

THERMOSTAT

Use a No. 568 Taco Thermostat (designed specifically for Taco-Zone Valves) with Heat Anticipator set at " D ". Other suitable two wire (SPST) Thermostats may also be used if Heat Anticipator can be set at 0.9 Amps to match valve rating.

TRANSFORMER

Use a No. 569 Taco Transformer or other make rated at 115/24V-40VA. One transformer can accommodate a maximum of 3 Taco-Zone Valves.

MANUAL OPENING LEVER

For gravity circulation thru valve, push lever in Power Head all the way down. Push back up to restore to automatic operation. Lever moves easily when valve is open. Resistance is encountered when valve is closed.

CAUTION: Addition of certain chemical additives to systems utilizing Taco equipment, voids the warranty. Product can withstand antifreeze additives, ethylene glycol and propylene glycol, provided that there are no hydrocarbon constituents in these antifreezes.

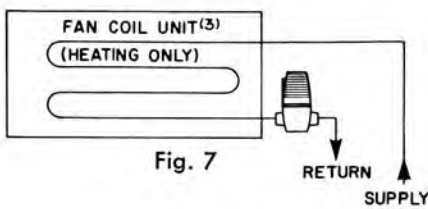
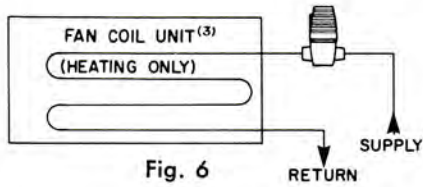
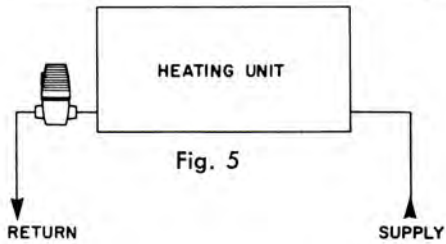
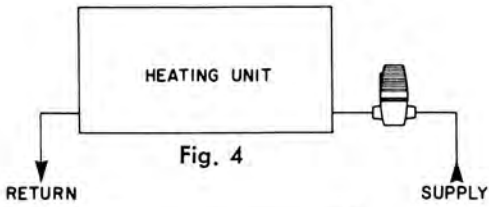
* IMPORTANT NOTE

Never remove Power Head while thermostat is calling for heat. If necessary to remove Power Head, disconnect No. 1 wire from Power Head, wait two minutes, then proceed.

TYPICAL INSTALLATION DIAGRAMS — Individual Room Control

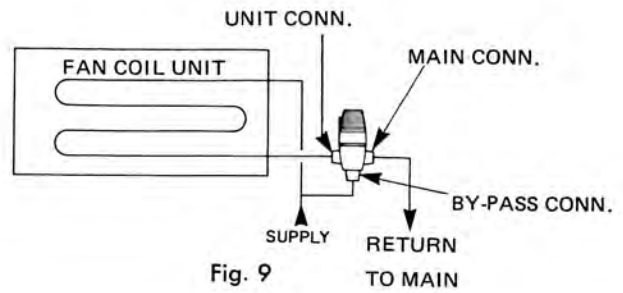
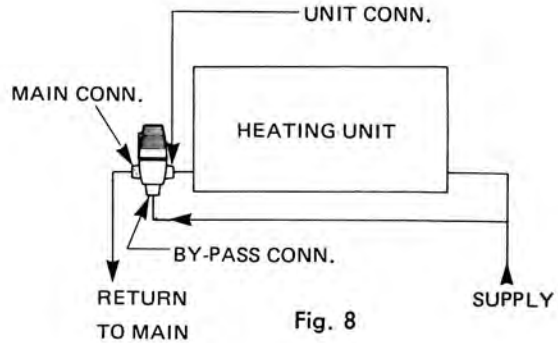
For Zoning Sections of a building, ask for Engineering Design Data.

2 WAY MODELS

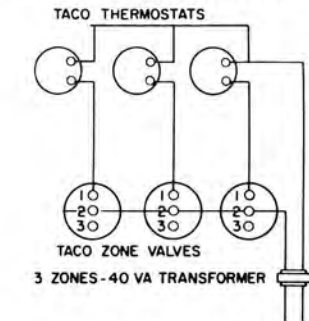


(3) May also be used for cooling if by-pass is provided in piping to prevent chiller freeze-up.

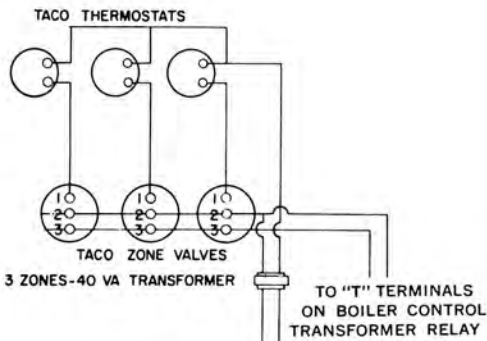
3 WAY MODELS



TYPICAL WIRING DIAGRAMS



BASIC WIRING DIAGRAM
CONTINUOUSLY OPERATING PUMP



BASIC WIRING DIAGRAM
INTERMITTANT OPERATING PUMP

TYPICAL BOILER HOOK-UPS

