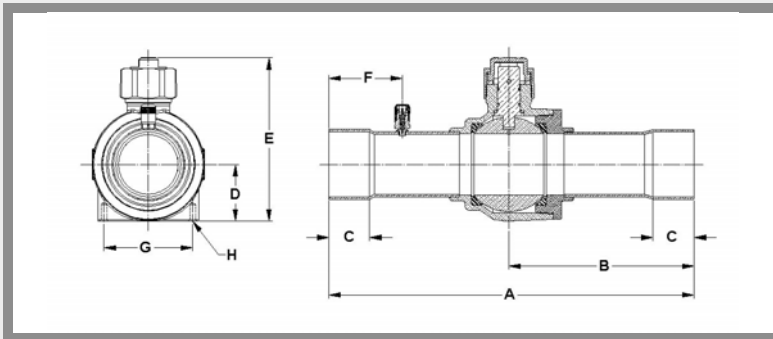


Standard With Access Port



Features:

- Maximum working pressure (PS): 700 psig, 48 bar
- Working temperature range (TS): -40°F/300°F, -40°C/149°C
- Compatible with all CFC, HCFC and HFC refrigerants and oils
- Full port construction to match line size ID
- Internally equalized ball design
- Rupture-proof encapsulated stem
- MCM Seal Technology
- UL/cUL Listed, CE Certified



References:

- * Reduced Port
- ** Where Applicable
- *** Consult Factory
- ‡ Standard product offering includes drilled/ tapped feature
- Prefix AQ Drilled/ tapped

Part Number	Size		Cv	Kv	A		B		C Min		D		E		F		G **		H **	Port (in)	Wt		Seal Cap Kit
	in	mm			in	mm	in	mm	in	mm	in	mm	in	mm	in	mm	lb	kg					
AQ17859 ‡	1/4	6	1.00	1	5.47	139	2.97	75	0.31	8	0.65	17	2.53	64	1.16	29	0.87	22	M4 X 0.7	0.50	0.72	0.33	A 17842
AQ17860C ‡	3/8	10	4.30	4	5.50	140	3.00	76	0.31	8	0.65	17	2.53	64	1.16	29	0.87	22	M4 X 0.7	0.50	0.69	0.31	A 17842
AQ17861C ‡	1/2	13	6.20	5	6.35	161	3.41	87	0.38	10	0.65	17	2.53	64	1.21	31	0.87	22	M4 X 0.7	0.50	0.71	0.32	A 17842
AQ17862C ‡	5/8	16	12.10	10	6.35	161	3.41	87	0.50	13	0.65	17	2.53	64	1.35	34	0.87	22	M4 X 0.7	0.50	0.72	0.33	A 17842
AQ17863 ‡	3/4	19	19.00	16	7.45	189	3.89	99	0.62	16	0.88	22	3.08	78	1.47	37	1.18	30	M4 X 0.7	0.75	1.43	0.65	A 17843
AQ17864C ‡	7/8	22	27.50	24	7.45	189	3.89	99	0.75	19	0.88	22	3.08	78	1.60	41	1.18	30	M4 X 0.7	0.75	1.46	0.66	A 17843
AQ17865A ‡	1 1/8	29	54.00	47	8.42	214	4.21	107	0.91	23	1.00	25	3.28	83	1.74	44	1.50	38	M4 X 0.7	1.00	1.56	0.71	A 17843
AC17866	1 3/8	35	89.10	77	10.00	254	5.00	127	0.97	25	1.28	33	3.94	100	2.04	52	1.89	48	M6 X 1.0	1.25	3.27	1.48	A 17844
AC17867	1 5/8	41	114.00	99	11.00	279	5.50	140	1.09	28	1.42	36	4.58	116	2.25	57	2.17	55	M6 X 1.0	1.50	4.78	2.17	A 17845
AC17868	2 1/8	54	244.00	211	12.00	305	6.08	154	1.34	34	1.86	47	5.34	136	2.41	61	2.91	74	M6 X 1.0	2.00	8.09	3.67	A 17845
AC17869	2 5/8	67	401.00	347	13.50	343	6.80	173	1.47	37	2.22	56	6.25	159	2.85	72				2.45	13.81	6.26	A 17846
AC17870	3 1/8	79	553.00	478	16.00	406	8.00	203	1.66	42	2.69	68	7.07	180	3.41	87				3.00	21.42	9.72	A 17846
AC17871 *	2 5/8	67	230.00	199	12.00	305	6.08	154	1.47	37	1.86	47	5.34	136	2.48	63	2.91	74	M6 X 1.0	2.00	8.71	3.95	A 17845
AC17872 *	3 1/8	79	143.00	124	12.00	305	6.08	154	1.66	42	1.86	47	5.34	136	2.66	68	2.91	74	M6 X 1.0	2.00	9.23	4.18	A 17845