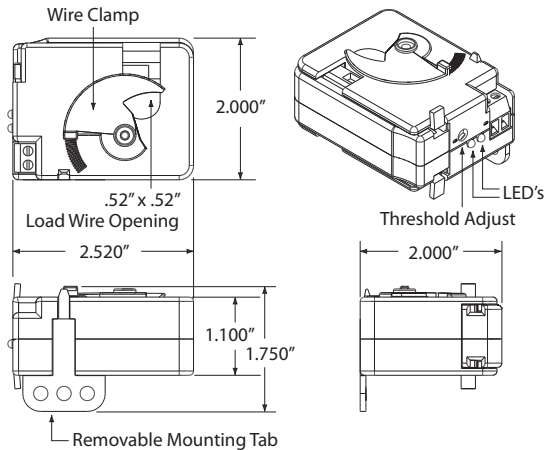


RIBXGH Series

Split Core 120 Vac Switching AC Sensors

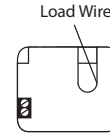
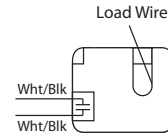
AC Sensors 120Vac (or 240Vac) - Switching



RIBXGHF



RIBXGHTF



Specifications

Operating Temperature: -30 to 140° F

Humidity Range: 5 to 95% (noncondensing)

Temperature Derating: 1 Amp up to 50° C, 0.5 Amp up to 60° C

Max Sense Voltage: 600 Vac

Approvals: UL Listed, UL916, UL864, C-UL, CE, RoHS *

Mounting/Installation: Removable mounting tab provided. The wire clamp locks against the load wire, securing the unit in place.

Notes:

- Use Solid State Contact Only for Switching 120Vac, (240Vac for RIBXGHTF-240), 1 Amp Max.

RIBXGH Series Selection Guide

Model#	Range	Type	Threshold	Output	LED 1	LED 2
RIBXGHF	.50-150 Amp	Split Core	Fixed, .50 Amp	Solid State Switch SPST ; 120Vac Only, 1 Amp Max (Wht/Blk 16~ 18 AWG Wire Leads)		
RIBXGHTF	.50-150 Amp	Split Core	Fixed, .50 Amp	Solid State Switch SPST ; 120Vac Only, 1 Amp Max (Terminal Strip, Accepts #14-22 AWG Wire)		
RIBXGHA	.75-150 Amp	Split Core	Adjustable	Solid State Switch SPST ; 120Vac Only, 1 Amp Max (Wht/Blk 16~ 18 AWG Wire Leads)	Over Trip Point	Under Trip Point
RIBXGHTA	.75-150 Amp	Split Core	Adjustable	Solid State Switch SPST ; 120Vac Only, 1 Amp Max (Terminal Strip, Accepts #14-22 AWG Wire)	Over Trip Point	Under Trip Point
RIBXGHTF-240 *	.50-150 Amp	Split Core	Fixed, .50 Amp	Solid State Switch SPST ; 240Vac Only, 1 Amp Max (Terminal Strip, Accepts #14-22 AWG Wire)		

* Model RIBXGHTF-240 has the following approvals: CE, RoHS