

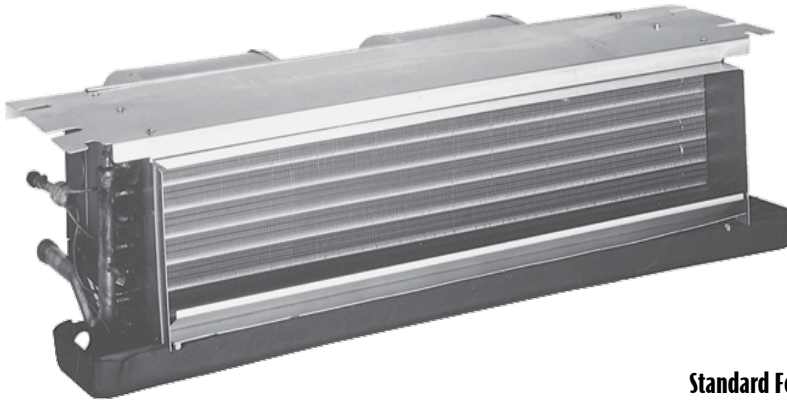


Air Conditioning & Heating

ACNF SERIES

CEILING-MOUNT AIR HANDLERS

1½ TO 2½ TONS



Standard Features

- Suitable for use with refrigerants R-410A and R-22
- Check flowrate for heat pump and cooling-only applications
- All-Aluminum tube/aluminum fin coil
- Direct-drive, resilient-mount, multi-speed motor
- Sequence-controlled and rust-resistant nickel chromium heating elements of 5, 6, 8 and 10 kW
- High-efficiency evaporator coil
- Quiet operation
- Available with and without heat
- AHRI Certified
- ETL Listed
- Primary/secondary drain connection in a high-temperature plastic drain pan
- Suitable for free-return installation (non-ducted return air)
- Galvanized-steel construction
- Factory-installed pull-type disconnect
- Easy service access

Contents

Nomenclature	2
Heat Kit Data.....	2
Product Specifications	3
Dimensions	5
Airflow Data	6
Wiring Diagram	7
Accessories	8



* Complete warranty details available from your local dealer or at www.goodmanmfg.com. To receive the 10-Year Parts Limited Warranty, online registration must be completed within 60 days of installation. Online registration is not required in California or Québec.

NOMENCLATURE

	A	C	N	F	24	05	1	6	AA
	1	2	3	4	5,6	7,8	9	10	11,12
Brand A - Single-Piece Air Handler									
Unit Application C - Ceiling Mount PSC Motor									
Cabinet Finish N - Uncased									
Expansion Device F - Flowrater									
Nominal Capacity Range 18 = 2 Tons 24 = 2 Tons 30 = 2½ Tons									
	Engineering * Major/ Minor Revisions *Not used for inventory management								
	Refrigerant 6 = R-410A or R-22								
	Electrical 1 - 208/230 V, 1 Phase, 60 Hz								
	Heater Kit 00 = No Heat 06 = 6 kW 05 = 5 kW 08 = 8 kW 10 = 10 kW								

SPECIFICATIONS

	ACNF18 0016	ACNF18 0516	ACNF18 0616	ACNF18 0816	ACNF24 0016	ACNF24 0516	ACNF24 0616
PERFORMANCE RATINGS							
Cooling (BTU/h)	18,000	18,000	18,000	18,000	24,000	24,000	24,000
Airflow Rate CFM (High/ Low) ¹	660/595	660/595	660/595	660/595	880/840	880/840	880/840
Piston Size ²	0.051	0.051	0.051	0.051	0.057	0.057	0.057
BLOWER							
Diameter	5.75	5.75	5.75	5.75	6.31	6.31	6.31
Width	6.75	6.75	6.75	6.75	8.25	8.25	8.25
COIL CONNECTIONS							
Liquid	3/8"	3/8"	3/8"	3/8"	3/8"	3/8"	3/8"
Suction	3/4"	3/4"	3/4"	3/4"	3/4"	3/4"	3/4"
Coil Drain Connect (FPT)	3/4"	3/4"	3/4"	3/4"	3/4"	3/4"	3/4"
ELECTRICAL DATA							
Voltage	208/230	208/230	208/230	208/230	208/230	208/230	208/230
Minimum Circuit Ampacity 230V	0.9	27	33.5	40.6	1.68	27.8	34.3
Minimum Circuit Ampacity 208V	0.9	23.5	29.2	35.3	1.68	24.3	29.9
Max. Overcurrent Device (230V)	15	30	35	45	15	30	35
Max. Overcurrent Device (208V)	15	25	30	40	15	25	30
Minimum Voltage VAC	197	197	197	197	197	197	197
Maximum Voltage VAC	253	253	253	253	253	253	253
BLOWER MOTOR							
Full Load Amps (FLA)	0.72	0.72	0.72	0.72	1.34	1.34	1.34
Horsepower (HP)	1/8	1/8	1/8	1/8	1/4	1/4	1/4
ELECTRIC HEAT							
kW @ 230 Volts	0.0	4.8	6.0	7.3	0.0	4.8	6.0
BTU/h @ 230 Volts	0	16,400	20,500	24,900	0	16,400	20,500
SHIP WEIGHT (LBS)							
	59	59	59	59	69	69	69

¹ CFM @.3 static

² Shipped with Coil

NOTES

- For a properly matched system and piston sizing information, refer to Amana piston kit chart of the corresponding Amana® outdoor unit.
- When the room thermostat calls for second stage heat, the first stage (heat pump) operation must be locked out. When matching the "AC" unit that has electric heat with a heat pump, order "HEAT PUMP SHUT OFF KIT HPSK-01." The ACXX-00 units do not require this kit.

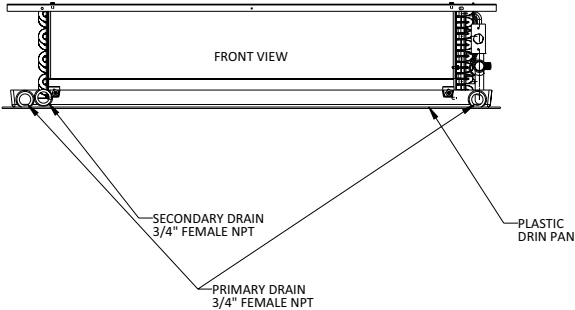
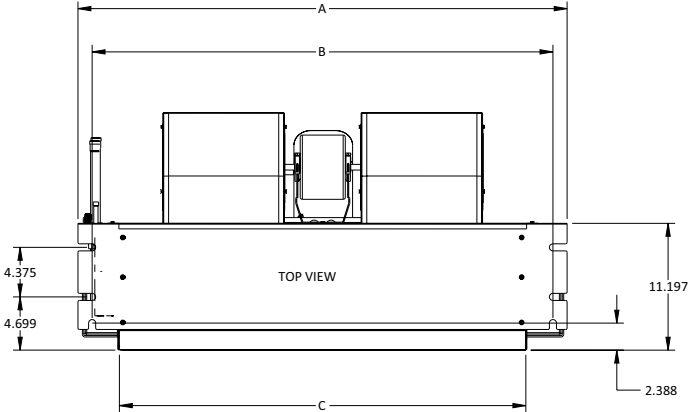
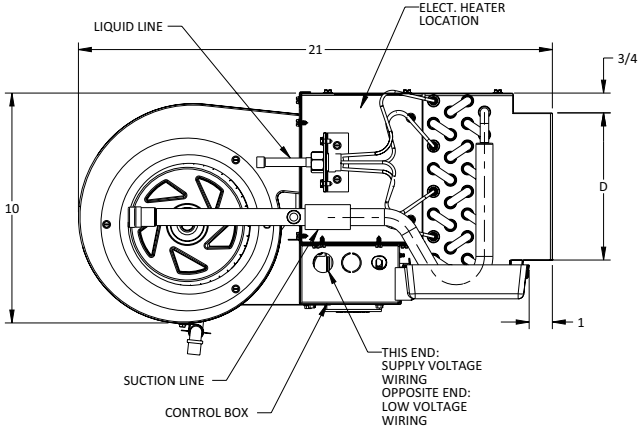
SPECIFICATIONS (CONT.)

	ACNF24 0816	ACNF24 1016	ACNF30 0016	ACNF30 0516	ACNF30 0616	ACNF30 0816	ACNF30 1016
PERFORMANCE RATINGS							
Cooling (BTU/h)	24,000	24,000	30,000	30,000	30,000	30,000	30,000
Airflow Rate CFM (High/ Low) ¹	880/840	880/840	1005/890	1005/890	1005/890	1005/890	1005/890
Piston Size	0.057	0.057	0.061	0.061	0.061	0.061	0.061
BLOWER							
Diameter	6.31	6.31	6.75	6.75	6.75	6.75	6.75
Width	8.25	8.25	8.25	8.25	8.25	8.25	8.25
COIL CONNECTIONS							
Liquid	3/8"	3/8"	3/8"	3/8"	3/8"	3/8"	3/8"
Suction	3/4"	3/4"	3/4"	3/4"	3/4"	3/4"	3/4"
Coil Drain Connect FPT	3/4"	3/4"	3/4"	3/4"	3/4"	3/4"	3/4"
ELECTRICAL DATA							
Voltage	208/230	208/230	208/230	208/230	208/230	208/230	208/230
Minimum Circuit Ampacity 230V	41.3	54.9	1.68	27.8	34.3	41.3	54.9
Minimum Circuit Ampacity 208V	36.1	47.8	1.68	24.3	29.9	36.1	47.8
Max. Overcurrent Device (230V)	45	60	15	30	35	45	60
Max. Overcurrent Device (208V)	40	50	15	25	30	40	50
Minimum Voltage VAC	197	197	197	197	197	197	197
Maximum Voltage VAC	253	253	253	253	253	253	253
BLOWER MOTOR							
Full Load Amps (FLA)	1.34	1.34	1.34	1.34	1.34	1.34	1.34
Horsepower (HP)	1/4	1/4	1/4	1/4	1/4	1/4	1/4
ELECTRIC HEAT							
kW @ 230 Volts	7.3	9.8	0.0	4.8	6.0	7.3	9.8
BTU/h @ 230 Volts	24,900	33,500	0	16,400	20,500	24,900	33,500
SHIP WEIGHT (LBS)							
	69	69	79	79	79	79	79

¹ CFM @ .2 static

NOTES: When the room thermostat calls for second stage heat, the first stage (heat pump) operation must be locked out. When matching the "AC" unit that has electric heat with a heat pump, order "HEAT PUMP SHUT OFF KIT HPSK-01." The ACXX-00 units do not require this kit.

DIMENSIONS



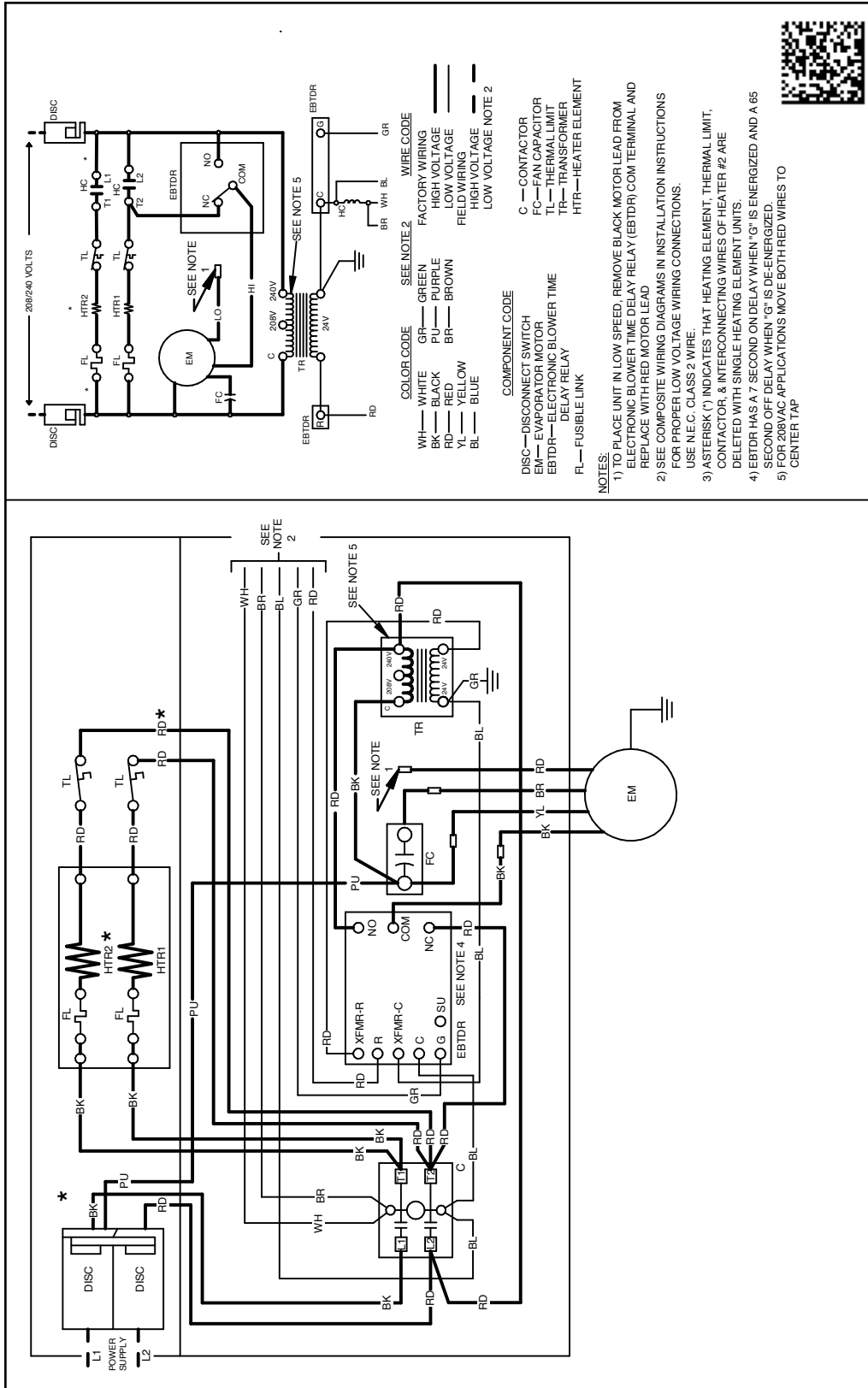
Model	A	B	C	D
ACNF18	37 ¹ / ₄ "	34 ³ / ₄ "	30"	6 ¹ / ₂ "
ACNF24	43 ³ / ₄ "	40 ³ / ₄ "	36"	6 ¹ / ₂ "
ACNF30	49 ¹ / ₄ "	46 ³ / ₄ "	42"	6 ¹ / ₂ "

AIRFLOW DATA

MODEL	MOTOR SPEED	CFM DELIVERED AGAINST EXTERNAL STATIC PRESSURE				
		0.1"	0.2"	0.3"	0.4"	0.5"
ACNF180***	High	710	660	590	515	435
	Low	650	595	540	480	390
ACNF240***	High	955	880	820	740	675
	Low	885	840	775	725	620
ACNF300***	High	1,075	1,005	920	820	730
	Low	945	890	835	760	650

Note: Airflow data for 240 Vac with dry coil and no filter in place.

ACNF WIRING DIAGRAM



0140A00125-A

WARNING

⚠

High Voltage: Disconnect all power before servicing or installing this unit. Multiple power sources may be present. Failure to do so may cause property damage, personal injury, or death.

Wiring is subject to change. Always refer to the wiring diagram on the unit for the most up-to-date wiring.

ACCESSORIES

MODEL	DESCRIPTION
HPSK-01	Heat Pump Shut-off Relay Kit
LOUVERED CEILING ACCESS PANELS	
CAP-1/ 1L	Fits ACNF18
CAP-2/ 2L	Fits ACNF24
CAP-3/ 3L	Fits ACNF30