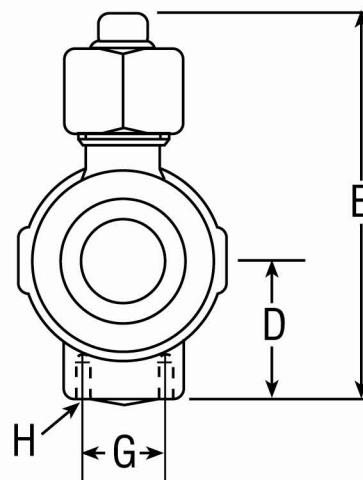
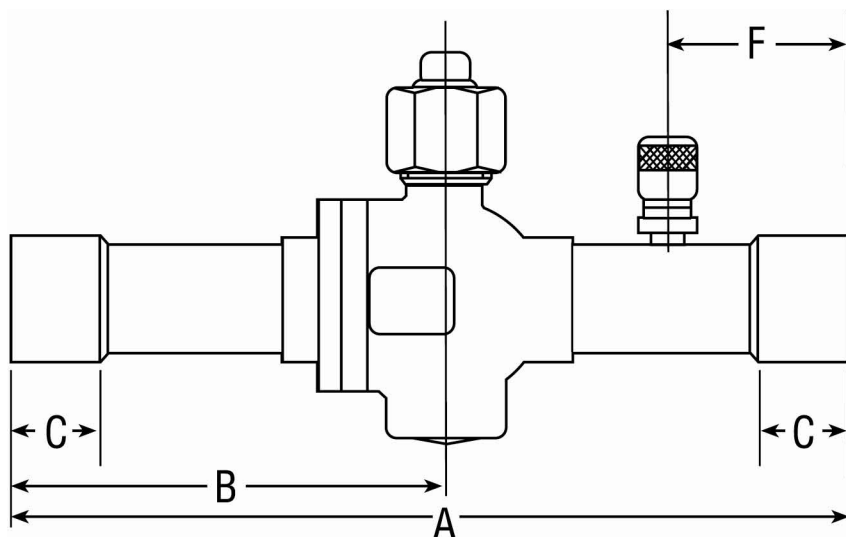


CYCLEMASTER BALL VALVES

Specifications

Technical Data	
Refrigerants	HFC, CFC, HCFC
Maximum Working Pressure	700 psig
Working Temperature Range	-40° F/300° F



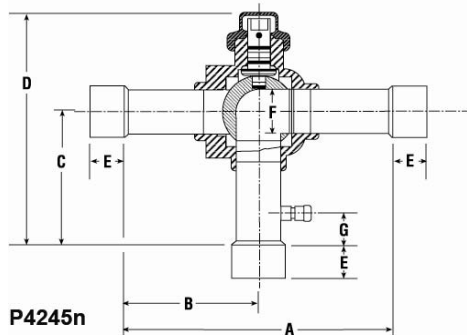
P4246

A 17859

PART NO	SIZE	A (in)	B (in)	C (in)	D (in)	E (in)	F** (in)	G**(mm)	H**	SEAL CAP KIT****	Cv	Weight
A 17859*	1/4	5-7/16	2-15/16	5/16	7/8	2-3/4	NA	14	M4 x .07	A 17842	1.02	.70
A 17860*	3/8	5-1/2	3	5/16	7/8	2-3/4	15/16	14	M4 x .07	A 17842	4.29	.63
A 17861*	1/2	6-3/8	3-7/16	3/8	7/8	2-3/4	1-3/16	14	M4 x .07	A 17842	6.20	.62
A 17862*	5/8	6-3/8	3-7/16	1/2	7/8	2-3/4	1-3/8	14	M4 x .07	A 17842	11.20	.64
A 17863	3/4	7-7/16	3-7/8	5/8	1-1/4	3-1/2	1-1/2	20	M4 x .07	A 17843	18.95	1.15
A 17864	7/8	7-7/16	3-7/8	3/4	1-1/4	3-1/2	1-5/8	20	M4 x .07	A 17843	29.30	1.53
A 17865	1-1/8	8-7/16	4-5/16	7/8	1-9/16	3-13/16	1-3/4	25	M4 x .07	A 17844	59.55	2.92
A 17866	1-3/8	10	5	1	1-1/2	4-3/16	2-1/16	30	M6 x 1.0	A 17844	84.58	3.48
A 17867	1-5/8	11	5-1/2	1-1/8	1-11/16	4-7/8	2-1/4	34	M6 x 1.0	A 17845	225.04	5.02
A 17868	2-1/8	12	6	1-3/8	2-1/8	5-9/16	2-7/16	34	M6 x 1.0	A 17845	291.59	8.60
A 17869	2-5/8	13-1/2	6-13/16	1-1/2	***	***	***	34	M6 x 1.0	A 17846	423.47	14.00
A 17870	3-1/8	16	8	1-3/8	3	7-3/8	3-1/8	34	M6 x 1.0	A 17846	***	23.50
A 17871*	2-5/8	12	6	1-3/8	2-1/8	5-5/8	2-3/8	34	M6 x 1.0	A 17845	184.85	9.20
A 17872*	3-1/8	12	6	1-11/16	2-1/8	5-5/8	3-1/16	34	M6 x 1.0	A 17845	127.99	11.00

CYCLEMASTER BALL VALVES

CYCLEMASTER Mueller 3-Way Ball Valves with Access Ports



PART NO	SIZE	A (in)	B (in)	C (in)	D (in)	E (in)	F** (in)	G**(mm)	Cv	Weight
AU17860	3/8	4-7/8	2-21/32	2-19/64	3-21/32	5/16	1/2	41/64	2.23	.67
AU17861	1/2	5-3/8	3-3/64	2-43/64	4-7/32	3/8	1/2	53/64	3.94	.70
AU17862	5/8	5-3/8	2-59/64	2-35/64	4-7/64	1/2	1/2	27/32	4.63	.70
AU17863	3/4	6-1/4	3-57/64	3	5-1/4	5/8	3/4	55/64	11.90	NA
AU17864	7/8	5-31/32	3-5/32	2-29/32	4-7/8	3/4	3/4	27/32	10.89	1.44
AU17865	1-1/8	6-39/64	3-3/16	3-7/64	5-31/64	29/32	1	53/64	19.33	2.76
A 17545	1-3/8	8-1/16	4-7/64	3-61/64	6-57/64	31/32	1-1/4	1-5/64	31.06	4.97
A 17546	1-5/8	8-7/8	4-7/16	4-23/64	7-33/64	1-3/32	1-1/2	1-5/32	44.69	7.17
AU17868	2-1/8	9-5/16	4-39/64	4-23/32	8-13/32	1-11/32	2	1-5/64	76.32	13.80
AU17871	2-5/8	9-1/16	4-15/32	4-19/32	8-9/32	1-15/32	2	1-1/64	69.85	14.66
AU17872	3-1/8	8-11/16	4-9/32	4-11/32	8-3/32	1-21/32	2	1-27/64	58.19	15.48

Prefixed for Ball Valve Options:

- A = Standard
- AC = Standard with access
- AP = Drilled & tapped
- APM = Drilled & tapped with 1 piece seal cap
- AQ = Drilled & tapped with access
- AQM = Drilled & tapped with access & 1 piece seal cap
- AU = 3-way with access

Examples:

- A 17865: 1-1/8" without access
- AC17865: 1-1/8" with access
- AP17865: 1-1/8" drilled & tapped
- APM17865: 1-1/8" drilled & tapped with 1 piece seal cap
- AQ17865: 1-1/8" drilled & tapped with access
- AQM17865: 1-1/8" drilled & tapped with access & 1 piece seal cap
- AU17865: 1-1/8" 3-way with access

* Reduced port

**Where Applicable

***Consult factory for details

****Seal Cap Kit includes Seal Cap, Seal Cap Gasket, Anti-Friction Ring, Cap Nut.

. Sizes not available in "Standard, A" or "Standard with Access, AC" options substitute "AP" for "A" and "AQ" for "AC".