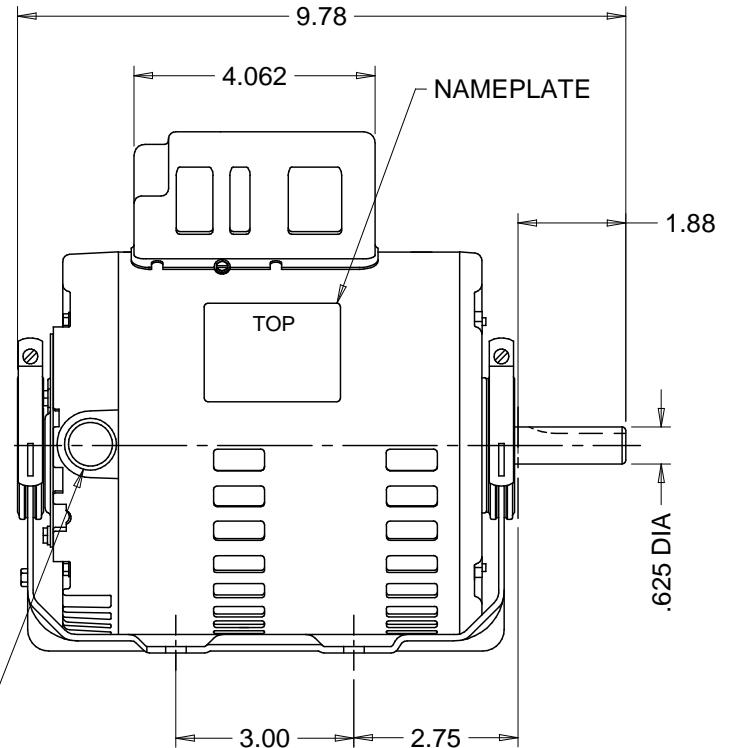
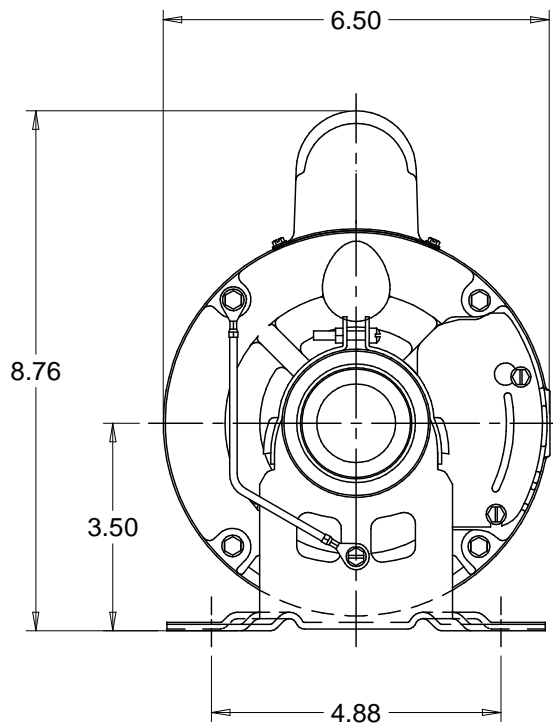


.19 SQ. SHAFT KEY.



1/2 SIZE CONDUIT

REV. B

NIDEC MOTOR CORPORATION 23-Jan-12

MODEL	REF	CUSTOMER	HP	VOLTS	AMPS	HZ	RPM	ROTATION	CUSTOMER PN
C63CXSGD-3753		USEM	3/4	115/208-230		60	1725	REVERSIBLE	3753

SHEET NUMBER	REV	REVISION RECORD FOR: C4997-00
1 of 1	B	UPDATED BACKGROUND TO NIDEC.
REVISION DATE		
23-JAN-12		

INFORMATION DISCLOSED ON THIS DOCUMENT IS CONSIDERED PROPRIETARY AND SHALL NOT BE REPRODUCED OR DISCLOSED WITHOUT WRITTEN CONSENT OF NIDEC MOTOR CORPORATION

NIDEC MOTOR CORPORATION

ALL DIMENSIONS ARE FOR REFERENCE ONLY UNLESS TOLERANCE IS GIVEN

ISSUED BY	REVIEWED BY	ENGINEER APPROVED	TITLE	CODE	ITEM NO.	SIZE
E. VICENCIO	J.I. SALAZAR	J.I. SALAZAR	ASSEMBLED VIEW	V01	254580	A

V01_NMCA (MAR-2011)

SOLIDEDGE