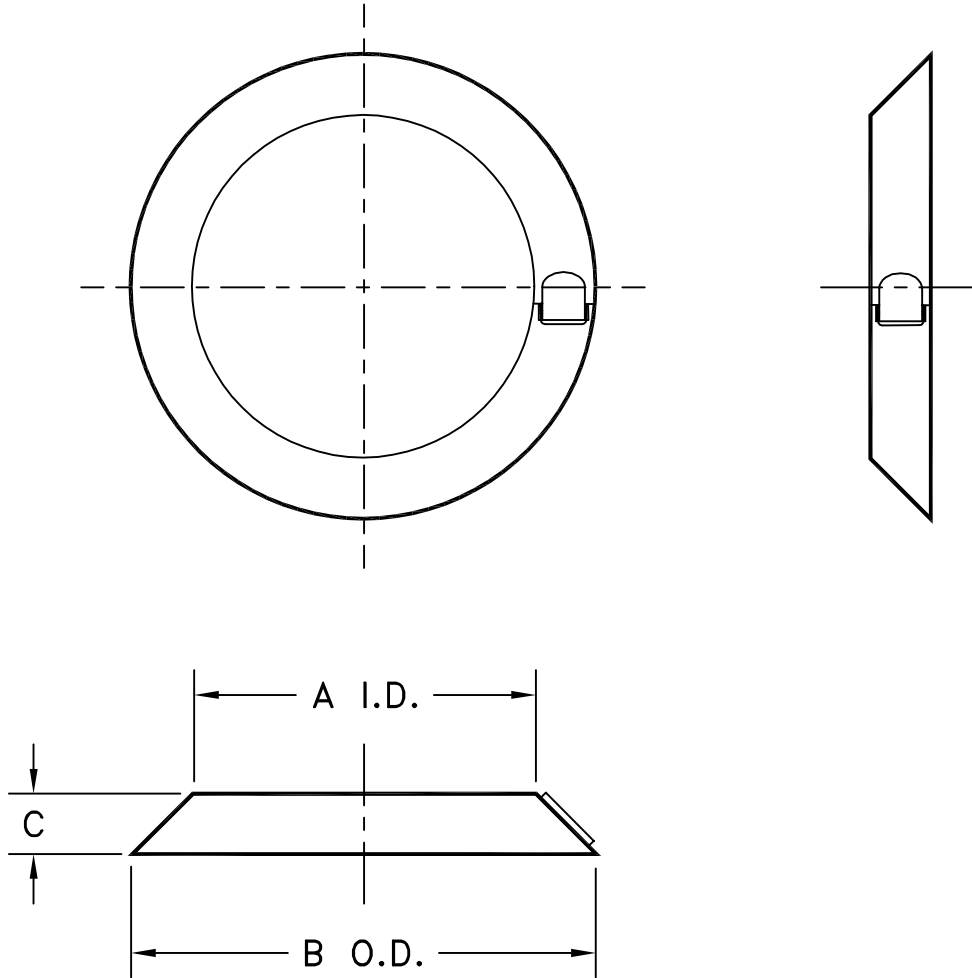


- MATERIAL:  
- .018 THICK, G-90 GALVANIZED STEEL



CAT. NO.	A I.D.	B O.D.	C
7RS	8	10-7/8	1-7/16
8RS	9	11-7/8	1-7/16
10RS	11	14-1/2	1-3/4
12RS	13	16-1/2	1-3/4

JOB NAME: _____	SUBMITTED BY: _____	DATE: 10/25/06	SD-3120
LOCATION: _____		<b>Type B Gas Vent</b>	
ARCHITECT: _____		Storm Collar	
ENGINEER: _____		RS	
CONTRACTOR: _____		7" - 12" Diameter	