

Q3400A Igniter-Flame Rod Assembly

INSTALLATION INSTRUCTIONS

APPLICATION

The Q3400A Igniter-Flame Rod Assembly replaces the original igniter-flame rod assembly in the Q3450 and Q3480 Pilot Hardware used in the SmartValve™ System. The Q3400A has a unique keyed plug connector that will only fit the SV9501/SV9601, SV9502/SV9602, SV9540/SV9640, and SV9541/SV9641 Systems. This assembly can be replaced without removing the pilot burner, see Fig. 1.

TEMPERATURE RATING:

Flame Rod Tip: 1800° F [982° C].
 Igniter Insulator: 905° F [485° C].
 Flame Rod Insulator: 1250° F [677° C].
 Flame Rod Lead: 500° F [260° C].

INSTALLATION

When Installing this Product...

1. Read these instructions carefully. Failure to follow them could damage the product or cause a hazardous condition.
2. Check the ratings and description given in the instructions to make sure the product is suitable for your application.
3. Installer must be a trained, experienced service technician.
4. After installation is complete, check out product operation as provided in these instructions.



WARNING

Fire or explosion hazard can cause property damage, severe injury, or death.

Follow these warnings exactly:

1. Disconnect power supply before removing any connectors to prevent electrical shock or equipment damage.
2. To avoid dangerous accumulation of fuel gas, turn off gas supply at appliance service valve before starting igniter-flame rod assembly removal.

Remove old Assembly

1. Turn off power at circuit breaker or fuse box.
2. Hold the bottom of the assembly with one hand. With the other hand, remove spring clip by pulling it away from the pilot burner. See Fig. 1.
3. Remove the assembly from the pilot burner.
4. Disconnect the leadwires from the ignition system control module.
5. Discard the old assembly and spring clip.

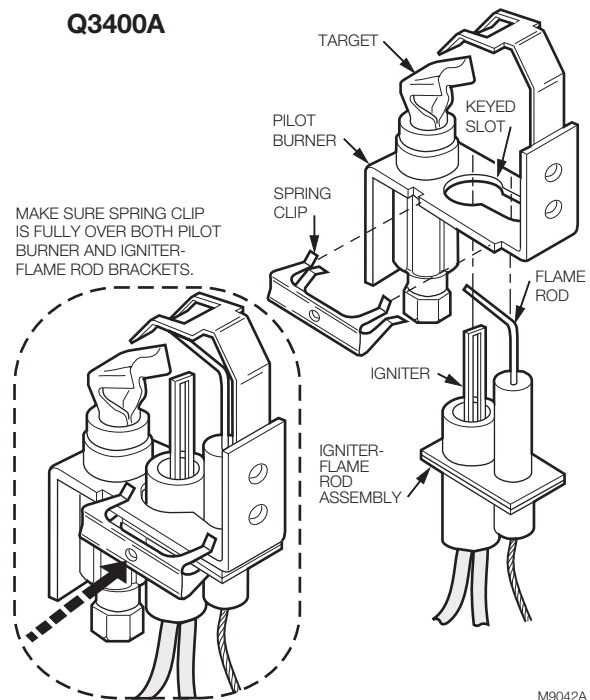


Fig. 1. Replace Q3400A Igniter-Flame Rod Assembly in keyed slot of pilot burner bracket.

IMPORTANT

Make sure the assembly is oriented in the proper direction for installation into the pilot burner.



Mount Replacement Assembly

1. Insert assembly in the pilot burner until assembly is flush with pilot burner bracket. Secure with new spring clip provided. See Fig. 1.
2. Connect the igniter-flame rod assembly keyed plug to igniter connector on the ignition system control.

STARTUP AND CHECKOUT

1. Set thermostat to call for heat.
2. Watch the pilot burner during the ignition sequence. See if:
 - a. Igniter glows red and pilot lights.
 - b. Igniter ceases to glow red after the pilot is lit.
 - c. Main burner lights.
3. If the ignition sequence is not as described, troubleshoot the system by following the procedures outlined by the equipment instructions or by the appropriate SmartValve™ System Installation Instructions.

Automation and Control Solutions

Honeywell International Inc.
1985 Douglas Drive North
Golden Valley, MN 55422
customer.honeywell.com

© U.S. Registered Trademark
© 2014 Honeywell International Inc.
69-0751—04 M.S. Rev. 10-14
Printed in United States

Honeywell