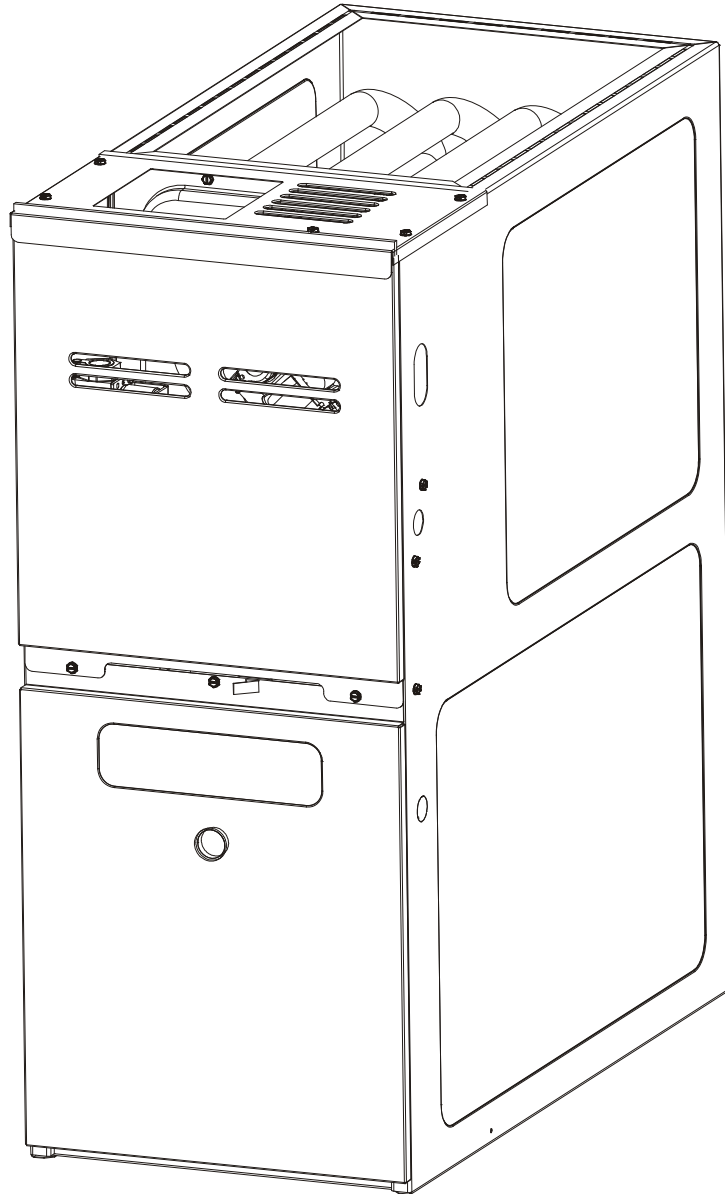


REPAIR PARTS

GHS8 80% High Static Furnace

GHS80403ANAA
GHS80403ANBA
GHS80403AXAA
GHS80403AXBA
GHS80604BNAA
GHS80604BNBA
GHS80604BXAA
GHS80604BXBA
GHS80805CNAA
GHS80805CNBA
GHS80805CXAA
GHS80805CXBA



This manual is to be used by qualified technicians only.

RP-662

© 2009 Goodman Manufacturing Company, L.P. ♦ 5151 San Felipe, Suite 500 ♦ Houston, TX 77056

Important Information

Index

Functional Parts List	3
Illustration and Parts	4 - 9

Views shown are for parts illustrations only, not servicing procedures

Add AB rev. models

Text Codes:

AR - As Required

NA - Not Available

NS - Not Shown

00000000 - See Note

QTY - Quantity Example (QTY 3) (If Quantity not shown, Quantity = 1)

M - Model Example (M1) (If M Code not shown, then part is used on all Models)

Expanded Model Nomenclature:

Example M1 - Model#1 M2 - Model#2 M3 - Model#3

Goodman Manufacturing Company, L.P. is not responsible for personal injury or property damage resulting from improper service. Review all service information before beginning repairs.

Warranty service must be performed by an authorized technician, using authorized factory parts. If service is required after the warranty expires, Goodman Manufacturing Company, L.P. also recommends contacting an authorized technician and using authorized factory parts.

Goodman Manufacturing Company, L.P. reserves the right to discontinue, or change at any time, specifications or designs without notice or without incurring obligations.

For assistance within the U.S.A. contact:
Consumer Affairs Department
Goodman Manufacturing Company, L.P.
7401 Security Way
Houston, Texas 77040
877-254-4729-Telephone
713-863-2382-Facsimile

For assistance outside the U.S.A. contact:
International Division
Goodman Manufacturing Company, L.P.
7401 Security Way
Houston, Texas 77040
713-861-2500-Telephone
713-863-2382-Facsimile

Functional Parts

Part

No: Description:

0130F00042	AIR PRESSURE SWITCH (M1, M3, M6, M8)
B1370158	AIR PRESSURE SWITCH, LIME (M2, M4, M5, M7, M9, M11)
B1370179	AIR PRESSURE SWITCH, PINK (M10, M12)
CAP200000370RP	CAP, 20 MFD/370V/ RD (M1, M2, M3, M4)
CAP250000370RP	CAP, 25 MFD/370V/ RD (M5, M6, M7, M8, M9, M10, M11, M12)
0130F00010	FLAME SENSOR
0151M00013S	GAS VALVE
PCBBF123	IGNITION BOARD, HSI INTEGRATED
20165703	IGNITOR
20162903	LIMIT (M2, M4, M5, M7)
0130F00038	LIMIT, PRIMARY, 120, LT BLUE
0130M00063	LIMIT, PRIMARY, 140, GOLD (M1, M3, M6, M8, M9, M10, M11, M12)
10123529	LIMIT-RESET MAN (QTY 2)
0131F00022	MOTOR, 1/2HP, 4SP, 6PL (M1, M2, M3, M4)
0131M00002P	MOTOR, VENT 80+
20046618	MOTOR-BLOW 3/4 HP (M5, M6, M7, M8, M9, M10, M11, M12)
10690402	SWITCH-INTERLOCK
B1141605	TRANSFORMER,(120V TO 24V,40VA,

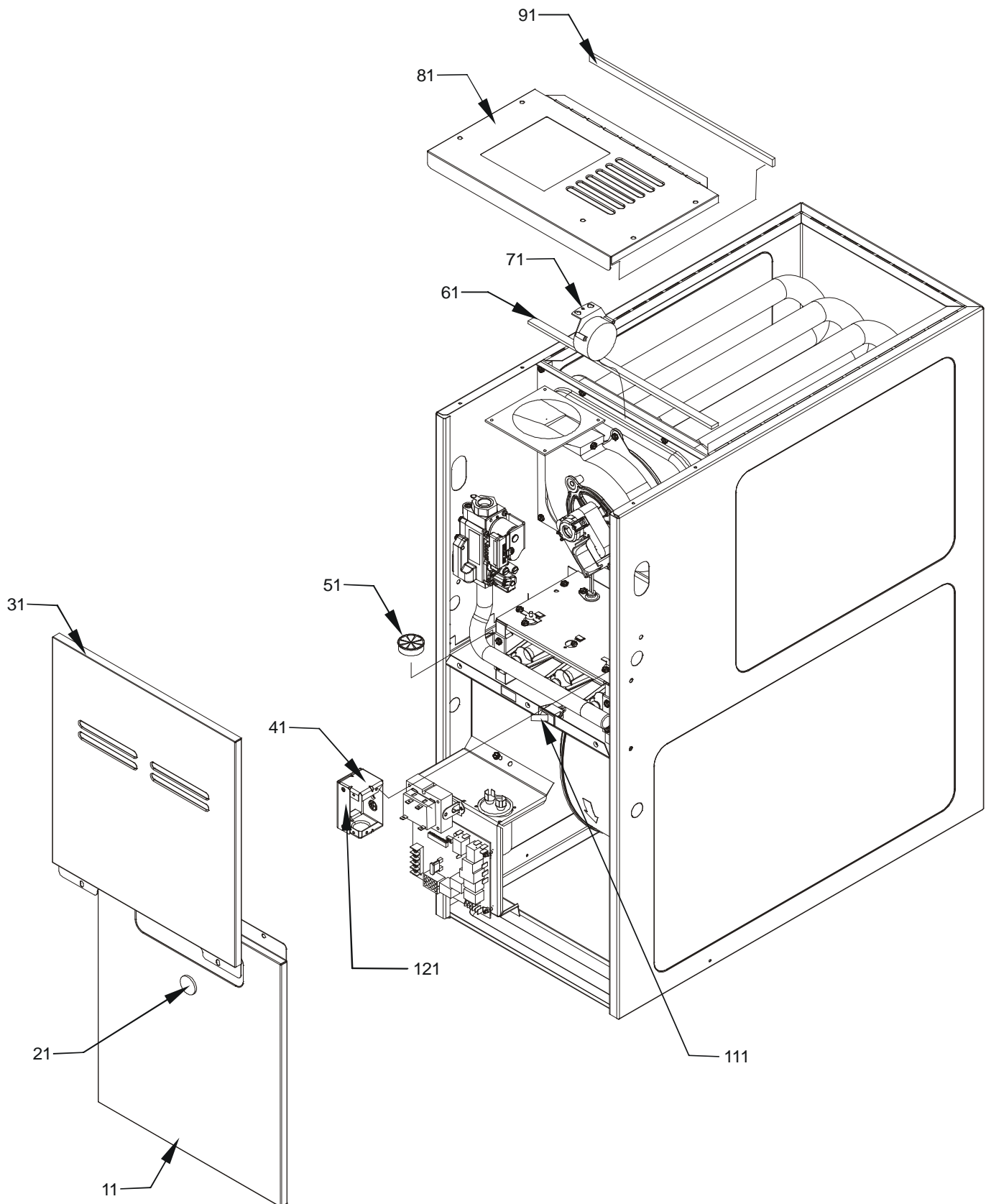
SPECIAL PARTS

0161F00007 NAMEPLATE, GOODMAN

Expanded Model Nomenclature

M1 - GHS80403ANAA
M2 - GHS80403ANBA
M3 - GHS80403AXAA
M4 - GHS80403AXBA
M5 - GHS80604BNAA
M6 - GHS80604BNBA
M7 - GHS80604BXAA
M8 - GHS80604BXBA
M9 - GHS80805CNAA
M10 - GHS80805CNBA
M11 - GHS80805CXAA
M12 - GHS80805CXBA

Cabinet



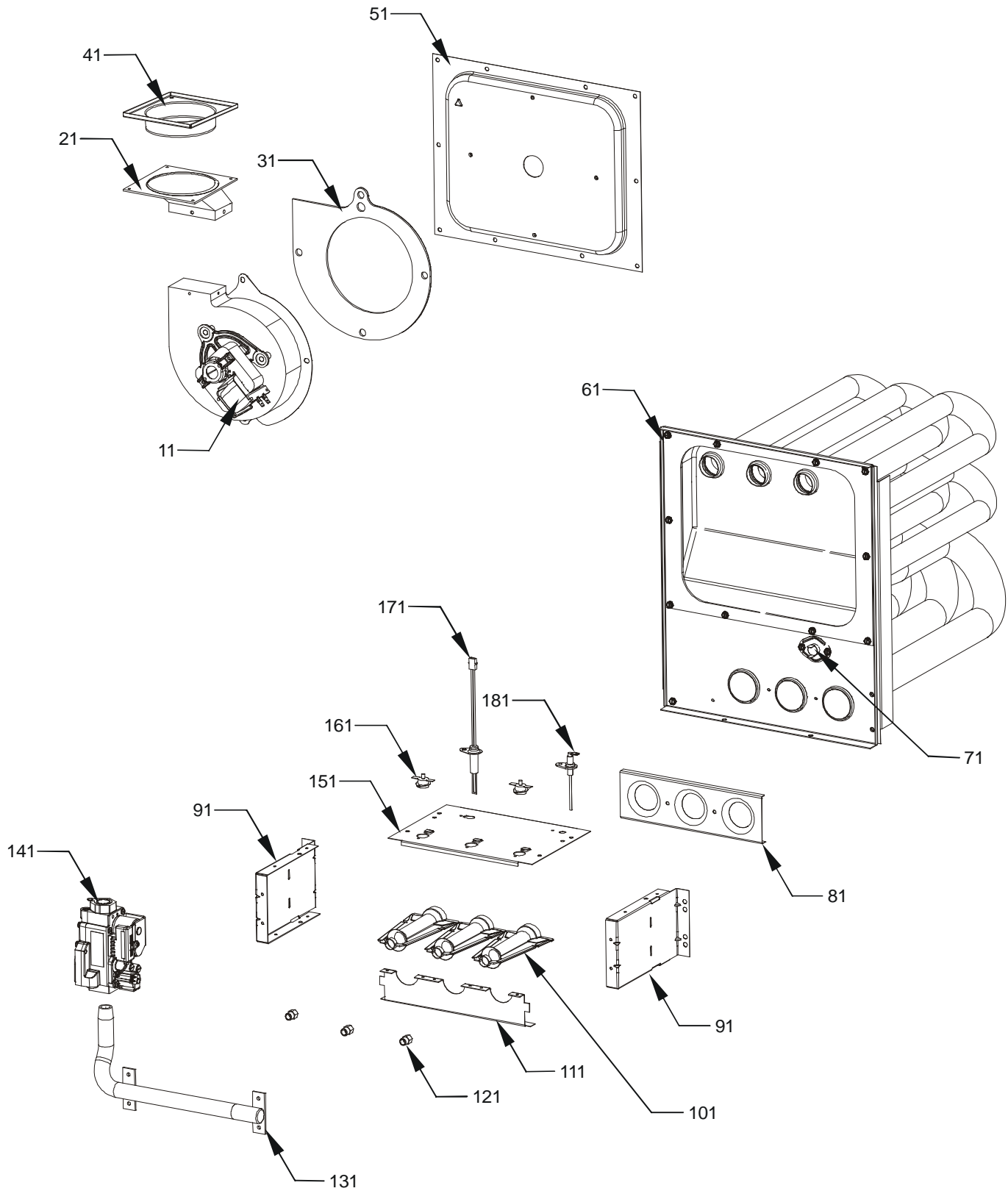
Cabinet

Ref. Part No:	No:	Description:	Ref. Part No:	No:	Description:
<i>Image 1:</i>					
11	0121F00122DG	DOOR, BLOWER, 14"-PAINTED (M1, M2, M3, M4)			
11	0121F00123DG	DOOR, BLOWER, 17.5"-PAINTED (M5, M6, M7, M8)			
11	0121F00124DG	DOOR, BLOWER, 21"-PAINTED (M9, M10, M11, M12)			
21	B1392139	VIEW PORT BUSHING, CLEAR (1.00)			
31	0121F00118DG	DOOR CTRL ACCESS, 14"-PAINTED (M1, M2, M3, M4)			
31	0121F00120DG	DOOR CTRL ACCESS, 21"-PAINTED (M9, M10, M11, M12)			
31	0121F00119DG	DOOR CTRL ACCESS, 17.5"-PAINTED (M5, M6, M7, M8)			
61	B13926111	SEAL STRIP, 1/8 X 1/2 X 14 (M1, M2, M3, M4)			
61	B13926112	SEAL STRIP, 1/8 X 1/2 X 17.5 (M5, M6, M7, M8)			
61	B13926113	SEAL STRIP, 1/8 X 1/2 X 21 (M9, M10, M11, M12)			
71	0130F00042	AIR PRESSURE SWITCH (M1, M3, M6, M8)			
71	B1370158	AIR PRESSURE SWITCH, LIME (M2, M4, M5, M7, M9, M11)			
71	B1370179	AIR PRESSURE SWITCH, PINK (M10, M12)			
81	4014502	J-BOX			
81	0121F00141DG	TOP, FURNACE 14"-PAINTED (M1, M2, M3, M4)			
81	0121F00142DG	TOP, FURNACE 17.5"-PAINTED (M5, M6, M7, M8)			
81	0121F00143DG	TOP, FURNACE 21"-PAINTED (M9, M10, M11, M12)			
111	4015502	COVER, J-BOX			
111	10690402	SWITCH-INTERLOCK			
NS	0259F00054	HARNESS, WIRE ASSY 12 PIN (80%			
NS	0161F00007	NAMEPLATE, GOODMAN			
NS	1819000	SOLID BOTTOM 14" CASE (M1, M2, M3, M4)			
NS	1819001	SOLID BOTTOM 17.5" CASE (M5, M6, M7, M8)			
NS	1819002	SOLID BOTTOM 21" CASE (M9, M10, M11, M12)			

Expanded Model Nomenclature

- M1 - GHS80403ANAA
- M2 - GHS80403ANBA
- M3 - GHS80403AXAA
- M4 - GHS80403AXBA
- M5 - GHS80604BNAA
- M6 - GHS80604BNBA
- M7 - GHS80604BXAA
- M8 - GHS80604BXBA
- M9 - GHS80805CNAA
- M10 - GHS80805CNBA
- M11 - GHS80805CXAA
- M12 - GHS80805CXBA

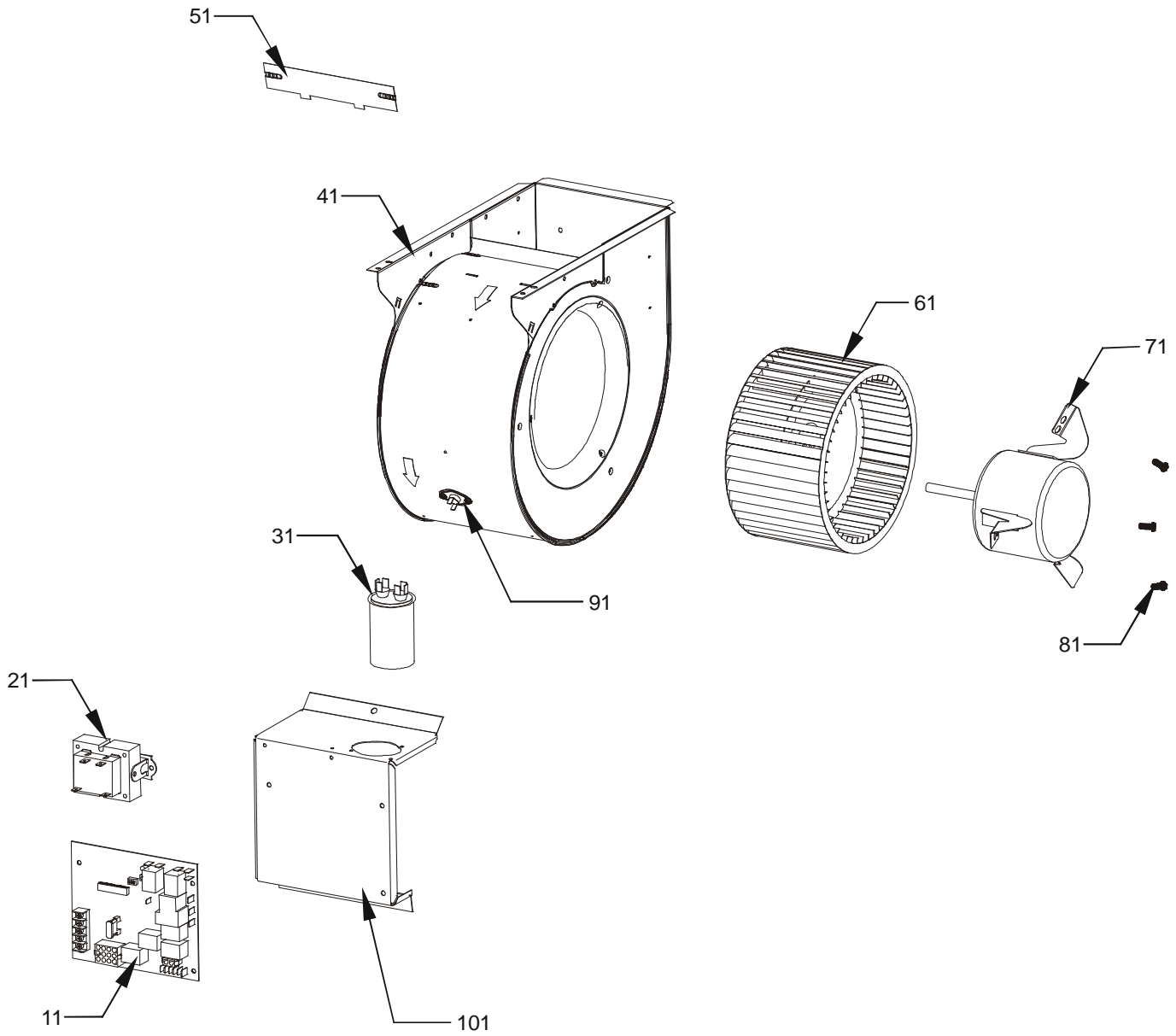
Heat Exchanger Assy



Heat Exchanger Assy

Ref. Part No:	No:	Description:	Ref. Part No:	No:	Description:
<i>Image 1:</i>			Expanded Model Nomenclature		
11	0131M00002P	MOTOR, VENT 80+	M1	-	GHS80403ANAA
21	0128F00006	TRANSITION, BOTTOM	M2	-	GHS80403ANBA
31	0154F00004	VENT MOTOR GASKET GASKET-17.5 INCH (M5, M6, M7, M8)	M3	-	GHS80403AXAA
31	0154F00005	VENT MOTOR GASKET GASKET-21 INCH (M9, M10, M11, M12)	M4	-	GHS80403AXBA
31	0154F00003	VENT MOTOR GASKET-14 INCH (M1, M2, M3, M4)	M5	-	GHS80604BNAA
41	4023500	CHIMNEY TRANSITION TOP	M6	-	GHS80604BNBA
51	0121F00327	COLLECTOR BOX 1.125" DIA (M2, M4)	M7	-	GHS80604BXAA
51	0121F00328	COLLECTOR BOX 1.250" DIA (M6, M8)	M8	-	GHS80604BXBA
51	0121F00130	COLLECTOR BOX 21" 2.25 DIA (M9, M11)	M9	-	GHS80805CNAA
51	0121F00198	COLLECTOR BOX, 14" 1.75 DIA (M1, M3)	M10	-	GHS80805CNBA
51	0121F00161	COLLECTOR BOX, 17.5" 2.0 DIA (M5, M7)	M11	-	GHS80805CXAA
51	0121F00336	FLUE COLLECTOR BOX 1.50" (M10, M12)	M12	-	GHS80805CXBA
61	0270F00900	HEAT EXCHANGER ASSY (M1, M2, M3, M4)			
61	0270F00929	HEAT EXCHANGER ASSY (M5, M6, M7, M8)			
61	0270F00930	HEAT EXCHANGER ASSY (M9, M10, M11, M12)			
71	20162903	LIMIT (M2, M4, M5, M7)			
71	0130M00063	LIMIT, PRIMARY, 140, GOLD (M1, M3, M6, M8, M9, M10, M11, M12)			
81	4028000	ORIFICE PLATE, 2CELL (M1, M2, M3, M4)			
81	4028001	ORIFICE PLATE, 3CELL (M5, M6, M7, M8)			
81	4028002	ORIFICE PLATE, 4CELL (M9, M10, M11, M12)			
91	0121F00146	SIDE PLATE-BURNER BOX (QTY 2)			
101	B4022700	INSHOT BURNER ASM 3" (QTY 2)			
111	0121F00167	BURNER RACK, 2 CELL (M1, M2, M3, M4)			
111	0121F00168	BURNER RACK, 3 CELL (M5, M6, M7, M8)			
111	0121F00169	BURNER RACK, 4 CELL (M9, M10, M11, M12)			
121	10716003	ORIFICE (M1, M3, M5, M7, M9, M11)			
121	10716005	ORIFICE (M2, M4, M6, M8, M10, M12)			
131	0120F00006	MANIFOLD (M2, M4)			
131	0120F00007	MANIFOLD (M5, M7)			
131	0120F00008	MANIFOLD (M9, M11)			
141	0151M00013S	GAS VALVE			
151	0121F00162	TOP, BURNER BOX 2 CELL (M1, M2, M3, M4)			
151	0121F00163	TOP, BURNER BOX 3 CELL (M5, M6, M7, M8)			
151	0121F00164	TOP, BURNER BOX 4 CELL (M9, M10, M11, M12)			
161	10123529	LIMIT-RESET MAN (QTY 2)			
171	20165703	IGNITOR			
181	0130F00010	FLAME SENSOR			
NS	0159F00008	WIRE HARNESS ASSY, IGNITOR			

Blower and Control Panel



Blower and Control Panel

Ref. Part No:	No:	Description:	Ref. Part No:	No:	Description:
<i>Image 1:</i>					
11	PCBBF123	IGNITION BOARD, HSI INTEGRATED			
21	B1141605	TRANSFORMER,(120V TO 24V,40VA,			
31	CAP200000370RP	CAP, 20 MFD/370V/ RD (M1, M2, M3, M4)			
31	CAP250000370RP	CAP, 25 MFD/370V/ RD (M5, M6, M7, M8, M9, M10, M11, M12)			
41	2539307	BLWR SHL ASM 10X10 10X10 (M9, M10, M11, M12)			
41	2539305	BLWR SHL ASM 10X6 10X6 (M1, M2, M3, M4)			
41	2539306	BLWR SHL ASM 10X8 10X8 (M5, M6, M7, M8)			
51	764741	BLWR BLK-OFF,10X10 (M9, M10, M11, M12)			
51	764739	BLWR BLK-OFF,10X6 (M1, M2, M3, M4)			
51	764740	BLWR BLK-OFF,10X8 (M5, M6, M7, M8)			
61	B1368000	BLOWER WHEEL (11 X 10) (M9, M10, M11, M12)			
61	B1368053	BLOWER WHEEL (11X6, CLOCKWISE) (M1, M2, M3, M4)			
61	B1368054	BLOWER WHEEL (11X8, CLOCKWISE) (M5, M6, M7, M8)			
71	0131F00022	MOTOR, 1/2HP, 4SP, 6PL (M1, M2, M3, M4)			
71	20046618	MOTOR-BLOW 3/4 HP (M5, M6, M7, M8, M9, M10, M11, M12)			
81	M0250558	SCREW-TC H (QTY 3)			
91	0130F00038	LIMIT, PRIMARY, 120, LT BLUE			
101	1815817	CNTRL MT PNL			
NS	B1393802	SUPPORT, 2-WING BOARD, .187 MT (QTY 4)			
NS	B1393803	SUPPORT, SINGLE-WING BOARD (.1			

Expanded Model Nomenclature

M1 - GHS80403ANAA
M2 - GHS80403ANBA
M3 - GHS80403AXAA
M4 - GHS80403AXBA
M5 - GHS80604BNAA
M6 - GHS80604BNBA
M7 - GHS80604BXAA
M8 - GHS80604BXBA
M9 - GHS80805CNAA
M10 - GHS80805CNBA
M11 - GHS80805CXAA
M12 - GHS80805CXBA