



# Copeland Scroll™ ZRK5 Compressor Cross Reference Guide

# Copeland™ Single Phase Compressor Models

TONNAGE	ZRK5	ZRK1	ZRK2	ZRKA	ZRKC	ZRK3	ZRK4
1.5T	ZR16K5-PFV			ZR16KA-PFV	ZR16KC-PFV		ZR16K4-PFV ZR16K4-PFJ
	ZR18K5-PFV	ZR18K1-PFV			ZR18KC-PFV	ZR18K3-PFV	ZR18K4-PFV ZR18K4-PFJ
	ZR21K5-PFV ZR21K5-PFJ	ZR23K1-PFV		ZR21KA-PFV	ZR22KC-PFV	ZR22K3-PFV ZR22K3-PFJ	ZR22K4-PFV ZR22K4-PFJ
2T	ZR25K5-PFV	ZR26K1-PFV		ZR26KA-PFV	ZR24KC-PFV	ZR24K3-PFV	ZR24K4-PFV
	ZR25K5-PFJ	ZR23K1-PFJ			ZR26KC-PFV	ZR26K3-PFV	
	ZR28K5-PFV	ZR28K1-PFV		ZR28KA-PFV	ZR28KC-PFV	ZR28K3-PFV	ZR29K4-PFV
	ZR28K5-PFJ	ZR28K1-PFJ			ZR29KC-PFV		
	ZR32K5-PFV	ZR34K1-PFV		ZR32KA-PFV	ZR30KC-PFV	ZR30K3-PFV	
	ZR32K5-PFJ	ZR34K1-PFJ		ZR34KA-PFV	ZR32KC-PFV	ZR32K3-PFV ZR34K3-PFV ZR30K3-PFJ ZR32K3-PFJ ZR34K3-PFJ	
3T	ZR38K5-PFV ZR38K5-PFJ			ZR38KA-PFV	ZR36KC-PFV	ZR36K3-PFV	ZR36K3-PFJ
	ZR42K5-PFV	ZR40K1-PFV		ZR42KA-PFV	ZR40KC-PFV	ZR40K3-PFV	
	ZR42K5-PFJ			ZR44KA-PFV	ZR42KC-PFV	ZR42K3-PFV ZR40K3-PFJ ZR42K3-PFJ	
4T	ZR48K5-PFV		ZR46K2-PFV ZR49K2-PFV		ZR45KC-PFV	ZR45K3-PFV	
	ZR48K5-PFJ				ZR47KC-PFV	ZR46K3-PFV	
					ZR48KC-PFV	ZR47K3-PFV	
					ZR49KC-PFV	ZR48K3-PFV	
						ZR49K3-PFV	
						ZR45K3-PFJ ZR47K3-PFJ ZR48K3-PFJ	
4.5T	ZR54K5-PFV			ZR54KA-PFV	ZR54KC-PFV	ZR52K3-PFV ZR54K3-PFV	
5T			ZR57K2-PFV ZR61K2-PFV		ZR57KC-PFV	ZR57K3-PFV ZR61K3-PFV	

Code	Hz-Phase-Volts
PFV	60-1-208/230
PFJ	60-1-265
TF5	60-3-200/230
TFD	60-3-460
TFE	60-3-575
TF7	60-3-380

# Copeland™ Three Phase Compressor Models

TONNAGE	ZRK5	ZRK1	ZRK2	ZRKA	ZRKC	ZRK3	ZRK4
2T	ZR21K5-TF5					ZR22K3-TF5	
	ZR21K5-TF7						
	ZR21K5-TFD					ZR22K3-TFD	
	ZR25K5-TF5			ZR26KA-TF5		ZR24K3-TF5	
	ZR25K5-TF7					ZR26K3-TF5	
	ZR25K5-TFD						
	ZR28K5-TF5					ZR24K3-TFD	
	ZR28K5-TF7					ZR26K3-TFD	
3T	ZR32K5-TF5			ZR32KA-TF5		ZR28K3-TFD	
	ZR32K5-TF7			ZR34KA-TF5		ZR30K3-TF5	
	ZR32K5-TFD					ZR32K3-TF5	
	ZR32K5-TFE			ZR32KA-TFD	ZR34KC-TFD	ZR34K3-TF5	
	ZR38K5-TF5			ZR34KA-TFD		ZR34K3-TF7	
	ZR38K5-TF7			ZR32KA-TFE		ZR30K3-TFD	
	ZR38K5-TFD			ZR34KA-TFE		ZR32K3-TFD	
	ZR38K5-TFE			ZR38KA-TF5		ZR34K3-TFD	
				ZR38KA-TFD	ZR36KC-TFD	ZR36K3-TFD	
				ZR38KA-TFE		ZR36K3-TFE	
3.5T	ZR42K5-TF5			ZR42KA-TF5		ZR40K3-TF5	
	ZR42K5-TFD			ZR44KA-TF5		ZR42K3-TF5	
	ZR42K5-TFE			ZR42KA-TFD	ZR40KC-TFD	ZR40K3-TFD	
				ZR44KA-TFD	ZR42KC-TFD	ZR42K3-TFD	
				ZR42KA-TFE		ZR40K3-TFE	
				ZR44KA-TFE		ZR42K3-TFE	
4T	ZR48K5-TF5		ZR46K2-TF5		ZR45KC-TF5	ZR45K3-TF5	
			ZR49K2-TF5		ZR46KC-TF5	ZR46K3-TF5	
	ZR48K5-TF7				ZR47KC-TF5	ZR47K3-TF5	
					ZR48KC-TF5	ZR48K3-TF5	
					ZR49KC-TF5	ZR49K3-TF5	
					ZR46KC-TF7	ZR46K3-TF7	
					ZR47KC-TF7		
					ZR48KC-TF7		
					ZR49KC-TF7		
	ZR48K5-TFD		ZR46K2-TFD		ZR45KC-TFD	ZR45K3-TFD	
			ZR49K2-TFD		ZR46KC-TFD	ZR46K3-TFD	
					ZR47KC-TFD	ZR47K3-TFD	
					ZR48KC-TFD	ZR48K3-TFD	
					ZR49KC-TFD	ZR49K3-TFD	
ZR48K5-TFE		ZR46K2-TFE		ZR45KC-TFE	ZR46K3-TFE		
		ZR49K2-TFE		ZR47KC-TFE	ZR47K3-TFE		
4.5T	ZR54K5-TF5			ZR54KA-TF5	ZR54KC-TF5	ZR52K3-TF5	
	ZR54K5-TF7					ZR54K3-TF5	
	ZR54K5-TFD				ZR54KC-TF7		
				ZR54KA-TFD	ZR54KC-TFD	ZR52K3-TFD	
	ZR54K5-TFE			ZR54KA-TFE	ZR54KC-TFE	ZR52K3-TFE	
5T			ZR57K2-TF5		ZR57KC-TF5	ZR57K3-TF5	
			ZR57K2-TFD		ZR57KC-TFD	ZR57K3-TFD	
			ZR57K2-TFE		ZR57KC-TFE	ZR57K3-TFE	
			ZR61K2-TF5		ZR61KC-TF5	ZR61K3-TF5	
			ZR61K2-TFD		ZR61KC-TFD	ZR61K3-TFD	
			ZR61K2-TFE		ZR61KC-TFE	ZR61K3-TFE	

Code	Hz-Phase-Volts
PFV	60-1-208/230
PFJ	60-1-265
TF5	60-3-200/230
TFD	60-3-460
TFE	60-3-575
TF7	60-3-380

## Copeland Scroll™ ZRK5 Compressor Cross Reference Guide



# 1.5 Ton

## Single Phase

TONNAGE	ZRK5	Bristol	Tecumseh	Carlyle	LG	Danfoss
1.5T	ZR16K5-PFV					
	ZR18K5-PFV					

Code	Hz-Phase-Volts
PFV	60-1-208/230
PFJ	60-1-265
TF5	60-3-200/230
TFD	60-3-460
TFE	60-3-575
TF7	60-3-380

## Single Phase

TONNAGE	ZRK5	Bristol	Tecumseh	Carlyle	LG	Danfoss
2T	ZR21K5-PFV	H20C233ABC		SCD230AC	SQ022K SQA022K	HDM023T1
	ZR21K5-PFJ					
	ZR25K5-PFV	H21C263ABC		SCD260HC	SQ024K SQ026K SQA024K SQA026K	
	ZR25K5-PFJ					
	ZR28K5-PFV	H20C303ABC H21C293ABC		SCD290HC SCD300AC	SQ028K SQ030K SQA028K SQA030K	
	ZR28K5-PFJ					

Code	Hz-Phase-Volts
PFV	60-1-208/230
PFJ	60-1-265
TF5	60-3-200/230
TFD	60-3-460
TFE	60-3-575
TF7	60-3-380

## Three Phase

TONNAGE	ZRK5	Bristol	Tecumseh	Carlyle	LG	Danfoss
2T	ZR21K5-TF5					
	ZR21K5-TF7					
	ZR21K5-TFD			SCH232AC		
	ZR25K5-TF5					
	ZR25K5-TF7					
	ZR25K5-TFD					
	ZR28K5-TF5				SCY302AC	
	ZR28K5-TF7					SQ028U
	ZR28K5-TFD					

### Single Phase

TONNAGE	ZRK5	Bristol	Tecumseh	Carlyle	LG	Danfoss	
3T	ZR32K5-PFV	H20C343ABC		SCD340AC	SQ032K	HRM032U1	
		H21C343ABC		SCD340HC	SQ034K	HRM034U1	
		H23C323ABC		XCD340HA	SQA032K		
		H23C343ABC			SQA034K		
	ZR32K5-PFJ						
	ZR38K5-PFV	H20C373ABC			SCD370AC	SQ036K	HRM038U1
		H20C403ABC			SCD380HC	SQ038K	
		H21C383ABC			XCD380HA	SQA036K	
		H21C403ABC				SQA038K	
	ZR38K5-PFJ			AH8543E			
				AV5538E			
				AVA5538EXV			

Code	Hz-Phase-Volts
PFV	60-1-208/230
PFJ	60-1-265
TF5	60-3-200/230
TFD	60-3-460
TFE	60-3-575
TF7	60-3-380

### Three Phase

TONNAGE	ZRK5	Bristol	Tecumseh	Carlyle	LG	Danfoss			
3T	ZR32K5-TF5	H20C343DBL		SCY342AC		HRM032U2			
		H20C343DBY		SCY342HC		HRM034U2			
		H21C343DBY		XCY342HA					
	ZR32K5-TF7							HRM034T9	
								MT028-9	
								MT032-9	
	ZR32K5-TFD	H20C343DBE				SCH342AC		HRM032U4	
		H21C343DBE				SCH342HC		HRM034T4	
						XCH342HA		HRM034U4	
	ZR32K5-TFE							HRM034U7	
	ZR38K5-TF5	H20C373DBL					SCY372AC		HDM037T2
		H20C373DBY					SCY382HC		HRM038U2
		H20C403DBL					XCY382HA		
		H20C403DBY							
		H23C383DBD							
	ZR38K5-TF7	H20C373DBX				SCT42AC	SQ036U	HRM038T9	
		H20C423DBX					SQ042U	HRM042T9	
	ZR38K5-TFD							MT036-9	
		H20C373DBE				SCH372AC		HDM037T4	
		H20C403DBE				SCH382HC		HRM038T4	
		H23C383DBE				XCH382HA		HRM038U4	
H23C403DBE					HRM040T4				
ZR38K5-TFE	H20C373DBF		SCJ372AC		HDM037T7				
	H23C383DBF		XCJ382HA		HRM038U7				

## Single Phase

TONNAGE	ZRK5	Bristol	Tecumseh	Carlyle	LG	Danfoss	
3.5T	ZR42K5-PFV	H20C423ABC		SCD400AC	SQ042K	HRM040U1	
		H20C453		SCD400GC	SRA040K	HRM042U1	
		H20R453ABC		SCD400HC	SRA042K	HRM045U1	
		H21C423ABC		SCD420AC	SRA045K		
		H21C463		SCD420HC			
		H21R453ABC		SRD450AC			
		H23C403ABC		SRD450HC			
		H23C423ABC		XCD400HA			
		XCD420HA					
	ZR42K5-PFJ		AH8548E				
			AV5542E				
			AVA5542EXV				

Code	Hz-Phase-Volts
PFV	60-1-208/230
PFJ	60-1-265
TF5	60-3-200/230
TFD	60-3-460
TFE	60-3-575
TF7	60-3-380

## Three Phase

TONNAGE	ZRK5	Bristol	Tecumseh	Carlyle	LG	Danfoss
3.5T	ZR42K5-TF5	H20C423DBL		SCY402AC		HDM042U2
		H20C423DBY		SCY422AC		HDM045T2
		H20R453DBL		SCY422HC		HRM040U2
		H20R453DBY		SRY452AC		HRM042U2
		H21C423DBY		SRY452HC		HRM045U2
		H21R453DBY		XCY402HA		
		H23C423DBD		XCY422HA		
		H23C453DBD				
	ZR42K5-TFD	H20R453DBE	SCH402AC	HDM045T4		
		H21C423DBE	SCH422AC	HDM045U4		
		H21R453DBE	SCH422HC	HRM040U4		
		H23C423DBE	SRH452AC	HRM042T4		
		H23C453DBE	SRH452HC	HRM042U4		
			XCH402HA	HRM045U4		
		XCH422HA				
	ZR42K5-TFE	H20C423DBF	SCJ422AC	HDM042T7		
		H21C423DBF	SCJ422HC	HRM040U7		
		H23C403DBF	SRJ45AC	HRM042U7		
		H23C423DBF	XCJ402HA	HRM045U7		
		H23C453DBF	XCJ422HA			

### Single Phase

TONNAGE	ZRK5	Bristol	Tecumseh	Carlyle	LG	Danfoss
4T	ZR48K5-PFV	H20C523		SRD480AC	SRA047K	HDM048T1
		H20R483ABC		SRD480HC	SRA049K	HRM047U1
		H20R513ABC		XCD450HA		HRM048U1
		H21R483ABC		XCD470HA		
		H21R483CBC		XRD480HA		
		H23C453ABC		XRD480HE		
		H23C473ABC		XRD480HU		
		H23R483ABC				
		H2EC483				
		ZR48K5-PFJ			AV5546E	
	AVA5546EXV					

Code	Hz-Phase-Volts
PFV	60-1-208/230
PFJ	60-1-265
TF5	60-3-200/230
TFD	60-3-460
TFE	60-3-575
TF7	60-3-380

### Three Phase

TONNAGE	ZRK5	Bristol	Tecumseh	Carlyle	LG	Danfoss	
4T	ZR48K5-TF5	H20R483DBL		SRY482AC		HRM047U2	
		H20R483DBY		SRY482HC			
		H21R453DBL		XCY452HA			
		H21R483DBL		XCY472HA			
		H21R483DBY		XRY482HA			
		H21R513DBL		XRY482HE			
		H21R513DBY		XRY482HU			
		H23C473DBD					
	ZR48K5-TF7						HRM047T9 MT044-9 MT050-9
							HDM048T4 HRM047T4 HRM047U4 HRM048U4
	ZR48K5-TFD	H20R483DBE		SRH482AC			
		H21R483DBE		SRH482HC			
		H21R513DBE		XCH452HA			
		H23C473DBE		XCH472HA			
				XRH482HA XRH482HE XRH482HU			
	ZR48K5-TFE	H23A463DBF	AVB5549EXH	SRJ48AC			HDM048T7
		H23A503DBF	AVD5548EXH	SRJ48HC			HRM047U7
		H23C473DBF		XCJ452HA			HRM048U7
		H25A46QDBF		XCJ472HA			MT044-7
		H25A50QDBF		XRJ482HA			
		H26A46QDBF		XRJ482HE			
		H26A50QDBF		XRJ482HU			
		H27A46QDBF					
		H27A50QDBF					
		H28A503DBF					
		H29A473DBF					
		H29A503DBF					



## Single Phase

TONNAGE	ZRK5	Bristol	Tecumseh	Carlyle	LG	Danfoss
4.5T	ZR54K5-PFV	H21C533		SRD510HC	SRA054K	HRM051U1
		H21R543ABC		XRD510HA		HRM054U1
		H22C563		XRD510HE		
		H23R513ABC		XRD510HU		
		H23R543ABC		XRD540HA		
				XRD540HE		
				XRD540HU		

Code	Hz-Phase-Volts
PFV	60-1-208/230
PFJ	60-1-265
TF5	60-3-200/230
TFD	60-3-460
TFE	60-3-575
TF7	60-3-380

## Three Phase

TONNAGE	ZRK5	Bristol	Tecumseh	Carlyle	LG	Danfoss
4.5T	ZR54K5-TF5	H21R543DBY		SRY512HC		HRM051U2
		H23R513DBD		SRY542HC		HRM054U2
		H23R543DBD		XRY512HA		
				XRY512HE		
				XRY512HU		
				XRY542HA		
				XRY542HE		
		XRY542HU				
	ZR54K5-TF7					
	ZR54K5-TFD	H21R543DBE		SRH552HE		HRM051T4
		H23R513DBE		XRH542HA		HRM051U4
		H23R543DBE		XRH542HE		HRM054U4
		XRH542HU				
	ZR54K5-TFE	H23R543DBF		XRJ512HA		HRM051U7
				XRJ512HE		HRM054U7
				XRJ512HU		
				XRJ542HA		
				XRJ542HE		
		XRJ542HU				

### Single Phase

TONNAGE	ZRK5	Bristol	Tecumseh	Carlyle	LG	Danfoss
5T	ZR57K3-PFV	H20R583ABC		SRD580AC		HRM058T1
		H20R603ABC		SRD580GC		HRM058U1
		H21R583CBC		SRD580HC		HRM060U1
		H22R583ABC		XRD580HA		
		H23R583ABC		XRD580HE		
				XRD580HU		
	ZR61K3-PFV	H21C613		SRD600AC		HRM060T1
		H21R583ABC		SRD600HC		
		H21R603ABC		XRD600HA		
		H21R603CBC		XRD600HE		
		H22C613		XRD600HU		
		H22R603ABC				
		H23R603ABC				

Code	Hz-Phase-Volts
PFV	60-1-208/230
PFJ	60-1-265
TF5	60-3-200/230
TFD	60-3-460
TFE	60-3-575
TF7	60-3-380

### Three Phase

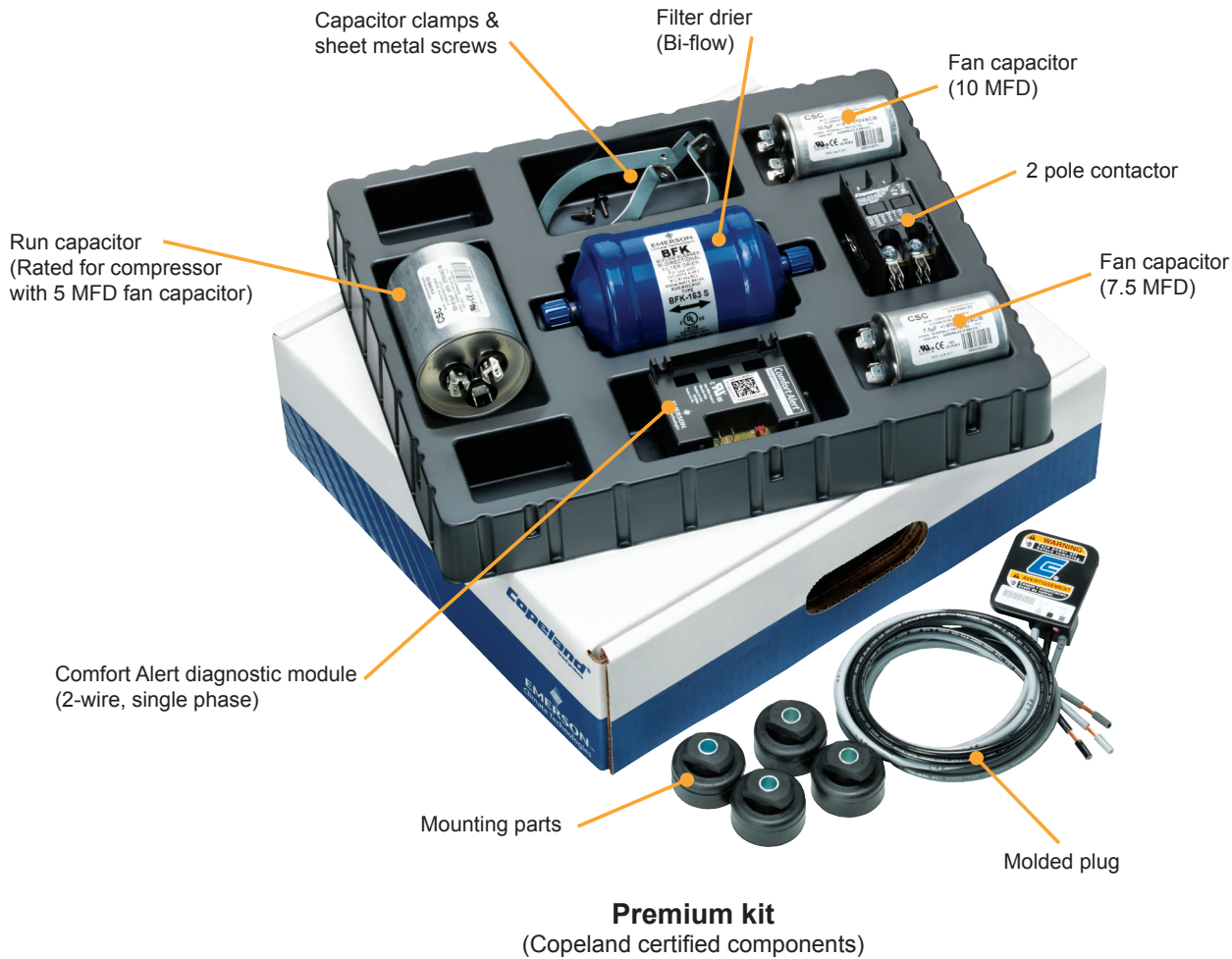
TONNAGE	ZRK5	Bristol	Tecumseh	Carlyle	LG	Danfoss
5T	ZR57K3-TF5	H20R583DBL		SRY582AC		HDM058T2
		H20R583DBY		SRY582AE		HDM058U2
		H20R603DBL		SRY582HC		HDM060T2
		H20R603DBY		XRY582HA		HRM058U2
		H21R583DBL		XRY582HE		HRM060U2
		H21R583DBY		XRY582HU		
		H21R603DBL				
		H23R583DBD				
		H23R603DBD				
	ZR57K3-TFD	H20R583DBE		SRH582AC		HDM058T4
		H20R603DBE		SRH582HC		HDM058U4
		H21R583DBE		XRH582HA		HRM058U4
		H21R603DBE		XRH582HE		HRM060T4
		H23R583DBE		XRH582HU		HRM060U4
		H23R603DBE				
	ZR57K3-TFE	H20R583DBF		SRJ582AC		HDM058T7
		H20R603DBF		SRJ58HC		HDM060T7
		H21R583DBF		XRJ582HA		HRM058U7
		H23R583DBF		XRJ582HE		HRM060U7
		H23R603DBF		XRJ582HU		

## Three Phase (cont.)

TONNAGE	ZRK5	Bristol	Tecumseh	Carlyle	LG	Danfoss
5T	ZR61K3-TF5			SRY602AC		
				SRY602HC		
				SRY612HE		
				XRY602HA		
				XRY602HE		
				XRY602HU		
	SRH602AC					
	SRH602HC					
	SRH612HC					
	XRH602HA					
	XRH602HE					
	XRH602HU					
	SRJ602HC					
	SRJ60AC					
	XRJ602HA					
	XRJ602HE					
	XRJ602HU					

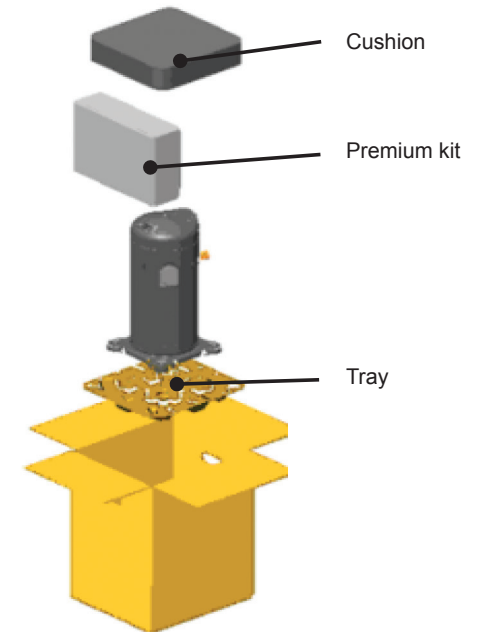
Code	Hz-Phase-Volts
PFV	60-1-208/230
PFJ	60-1-265
TF5	60-3-200/230
TFD	60-3-460
TFE	60-3-575
TF7	60-3-380

# Copeland ZRK5 Service Compressor Protection kit



## Benefits

- Less time searching for the right part
- Fewer call-backs with high quality, Copeland certified parts
- Inventory reduction and consolidation
- Improved troubleshooting speed and accuracy with Comfort Alert diagnostics
- Better product offering for maintenance agreements
- Enhanced reputation and professionalism



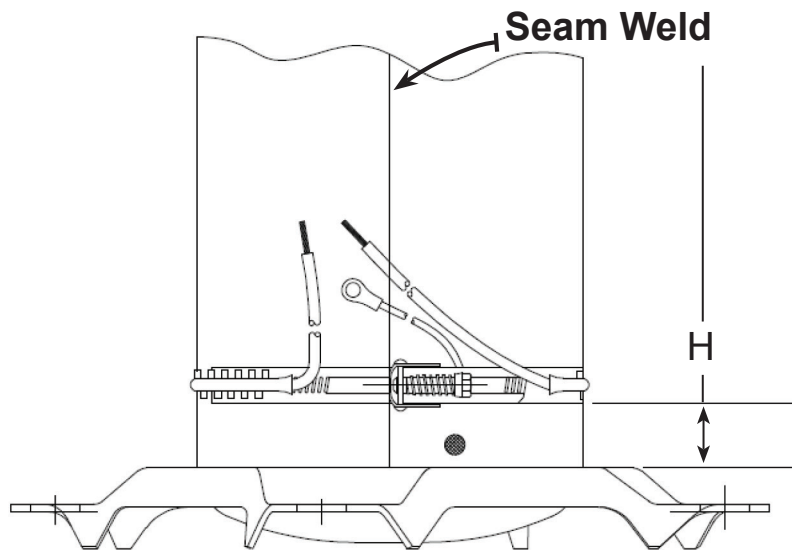
ZR Service Compressor Kit Guide		Part Numbers ZRK5									
Part Name	Description	800			801						
Bill of Material (BOM)											
Compressor Model		ZR16-32K5	ZR38-54K5	ZR57-61K3	ZR16-21K5-PFV	ZR25-28K5-PFV	ZR32K5-PFV	ZR38-42K5-PFV	ZR48K5-PFV	ZR54K5-PFV	ZR61K3-PFV
Service Kit Part No.					998-0101-00*	998-0101-01*	998-0101-02*		998-0101-03*	998-0101-04*	998-0101-05*
Molded Plug	10 Gage	529-0060-24			529-0060-24						
Mounting Parts	7.5" X 7.5" Mounting pattern	527-0044-15	527-0116-00		527-0044-15			527-0116-00			
Poly Crank Case Heater	240V, 40W - Wrap around	018-0094-00	018-0096-00		018-0094-00		018-0096-00				
	120V, 40W - Wrap around	018-0094-01	018-0096-01		018-0094-01		018-0096-01				
Poly Crank Case Heater	240V, 70W - Wrap around			018-0095-04						018-0095-04	
	480V, 70W - Wrap around			018-0095-05						018-0095-05	
Capacitor Clamp	2.0" ID / 2.5" ID	032-0359-01/02									
Run Capacitor	see specs table	014-0080-00	014-0080-01	014-0080-02	014-0080-03	014-0080-04					
Filter Drier	Bi-Flow	013-0193-00									
Contactors	24 volts, 2 pole	012-2030-00								012-2040-00	
Fan Capacitors	7.5 uf / 10 uf	014-0064-23/00									
Comfort Alert	(19-28 VAC) Diagnostic Module	543-0010-01									

Code	Hz-Phase-Volts
PFV	60-1-208/230
PFJ	60-1-265
TF5	60-3-200/230
TFD	60-3-460
TFE	60-3-575
TF7	60-3-380

The "Bill of Material" chart explains the current service kit options.

These kits are defined by the last digit of the compressor nomenclature's Bill of Material (BOM).

\* Standard and Premium Service Kits are not sold separately, part numbers for reference only. (Premium Service Kits - offered for selected models only.)

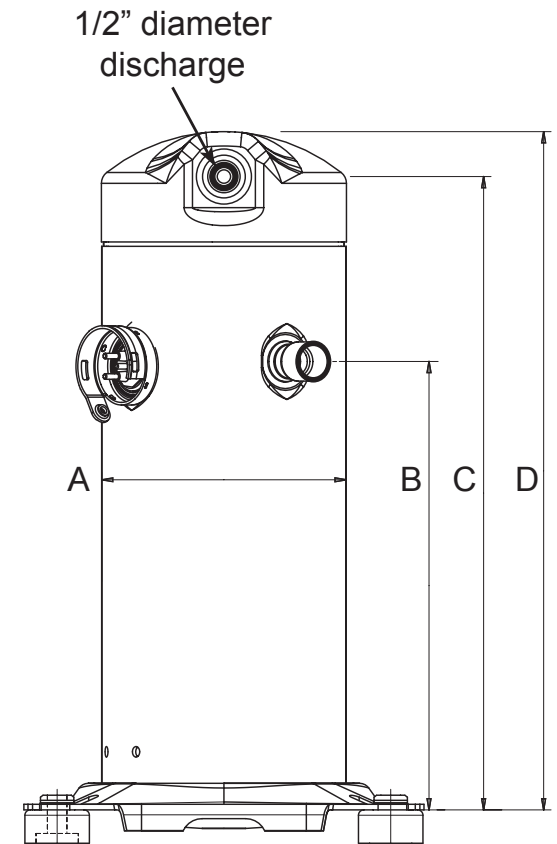


Model	H
ZR16-32K5	31mm
ZR38-54K5	12mm

## Copeland Scroll™ ZRK5 Compressor Cross Reference Guide

# Copeland Scroll™ Service Compressor Specification Chart

Model	ARI Capacity Btu/hr	RLA Amps (TF5/TFD)	Run Cap MFD / Volts	Start Cap MFD/Volts (optional)	Relay P/N (optional)	Diameter Inches (A)	Suction Height Inches (B)	Discharge Height Inches (C)	Height Inches (D)	Weight Lbs.	Suction Diameter Inches
ZR16K5-PFV	15,500	9.3	30/370	88-106/330	040-0166-37	5.5	10.1	14.2	15.3	47	3/4
ZR18K5-PFV	18,000	10.7	30/370	88-106/330	040-0166-37	5.5	10.1	14.2	15.3	47	3/4
ZR21K5-PFV	21,000	12	35/370	88-106/330	040-0166-37	5.5	10.1	14.2	15.3	47	3/4
ZR21K5-PFJ	21,000	10.4	35/370	88-106/330	040-0166-15	5.5	10.1	14.2	15.3	47.2	3/4
ZR21K5-TF5/D	21,000	8.6/4.3	N/A	N/A	N/A	5.5	10.1	14.2	15.3	45	3/4
ZR21K5-TF7	21,000	4.3	N/A	N/A	N/A	5.5	10.1	14.2	15.3	48.9	3/4
ZR25K5-PFV	25,300	15	40/370	88-106/330	040-0166-37	5.5	10.1	14.2	15.3	50	3/4
ZR25K5-PFJ	25,300	12.1	35/440	88-106/330	040-0166-37	5.5	10.1	14.2	15.3	49	3/4
ZR25K5-TF5/D	25,300	8.9/4.6	N/A	N/A	N/A	5.5	10.1	14.2	15.3	48	3/4
ZR25K5-TF7	25,300	4.9	N/A	N/A	N/A	5.5	10.1	14.2	15.3	48.8	3/4
ZR28K5-PFV	28,400	15.7	45/370	88-106/330	040-0166-37	5.5	10.1	14.2	15.3	50	3/4
ZR28K5-PFJ	28,400	13.9	45/370	88-106/330	040-0166-37	5.5	10.1	14.2	15.3	50.9	3/4
ZR28K5-TF5/D	28,400	11.1/5.7	N/A	N/A	N/A	5.5	10.1	14.2	15.3	48	3/4
ZR28K5-TF7	28,400	5.7	N/A	N/A	N/A	5.5	10.1	14.2	15.3	50.3	3/4
ZR32K5-PFV	32,600	17.1	50/370	88-106/330	040-0166-37	5.5	10.1	14.2	15.3	50	3/4
ZR32K5-PFJ	32,600	14.3	45/370	88-106/330	040-0166-37	5.5	10.1	14.2	15.3	50.7	3/4
ZR32K5-TF5/D	32,600	12/6.4	N/A	N/A	N/A	5.5	10.1	14.2	15.3	49	3/4
ZR32K5-TFE	32,600	4.6	N/A	N/A	N/A	5.5	10.1	14.2	15.3	47.8	3/4
ZR32K5-TF7	32,600	6.4	N/A	N/A	N/A	5.5	10.1	14.2	15.3	49.4	3/4
ZR38K5-PFV	38,000	21.4	55/370	88-106/330	040-0166-37	6.5	11.1	15.4	16.4	64	7/8
ZR38K5-PFJ	38,000	17.1	60/370	88-106/330	040-0166-07	6.5	11.1	15.4	16.4	68.8	7/8
ZR38K5-TF5/D	38,000	13.6/6.4	N/A	N/A	N/A	6.5	11.1	15.4	16.4	60	7/8
ZR38K5-TFE	38,000	4.8	N/A	N/A	N/A	6.5	11.1	15.4	16.4	63.6	7/8
ZR38K5-TF7	38,000	6.9	N/A	N/A	N/A	6.5	11.1	15.4	16.4	60.7	7/8
ZR42K5-PFV	42,200	22.1	55/370	88-106/330	040-0166-37	6.5	11.1	15.4	16.4	68	7/8
ZR42K5-PFJ	42,200	19.3	60/440	88-106/330	040-0166-37	6.5	11.1	15.4	16.4	68.3	7/8
ZR42K5-TF5/D	42,200	14.3/6.4	N/A	N/A	N/A	6.5	11.1	15.4	16.4	61	7/8
ZR42K5-TFE	42,200	5.3	N/A	N/A	N/A	6.5	11.1	15.4	16.4	61.5	7/8
ZR48K5-PFV	48,200	24.3	60/440	88-106/330	040-0166-37	6.5	11.1	15.4	16.4	72	7/8
ZR48K5-PFJ	48,200	21.4	80/440	88-106/330	040-0166-37	6.5	11.1	15.4	16.4	64.2	7/8
ZR48K5-TF5/D	48,200	17.1/7.9	N/A	N/A	N/A	6.5	11.1	15.4	16.4	68	7/8
ZR48K5-TFE	48,200	5.8	N/A	N/A	N/A	6.5	11.1	15.4	16.4	64.2	7/8
ZR48K5-TF7	48,200	8.1	N/A	N/A	N/A	6.5	11.1	15.4	16.4	64.2	7/8
ZR54K5-PFV	53,500	28.2	80/370	88-106/330	040-0166-37	6.5	11.1	15.4	16.4	73	7/8
ZR54K5-TF5/D	53,500	17.1/7.9	N/A	N/A	N/A	6.5	11.1	15.4	16.4	69	7/8
ZR54K5-TFE	53,500	5.9	N/A	N/A	N/A	6.5	11.1	15.4	16.4	68	7/8
ZR54K5-TF7	53,500	8.5	N/A	N/A	N/A	6.5	11.1	15.4	16.4	68.3	7/8
ZR57K3-PFV	58,000	32.1	80/370	270-324/330	040-0166-37	7.3	11.7	16.1	18	90	7/8
ZR57K3-TF5/D	58,500	19.3/9.1	N/A	N/A	N/A	7.3	11.7	16.1	18	85	7/8
ZR61K3-PFV	62,000	32.1	80/370	270-324/330	040-0166-37	7.3	11.7	16.1	18	90	7/8
ZR61K3-TF5/D	62,000	19.3/9.1	N/A	N/A	N/A	7.3	11.7	16.1	18	85	7/8
ZR61K3-TFE	62,000	7.9	N/A	N/A	N/A	7.3	11.7	16.1	18	84	7/8



Bottom Plate Mounting Pattern 7.5" x 7.5" (same as previous Copeland Models)

Rotalock™ Kit Part Numbers			
		Adapter	Seal
Suction	3/4" to 1-1/4"-12	998-0034-01	020-0028-02
Suction	7/8" to 1-1/4"-12	998-0034-02	020-0028-02
Discharge	1/2" to 1"-14	998-0034-15	020-0028-00

## Additional information

Other available information includes:  
A/C Compressor Product Guide (2008ECT-113)  
ZRK5 Product Brochure (2009ECT-98)

For complete product details and additional information, visit [EmersonClimate.com](http://EmersonClimate.com) and select Online Product Information (OPI) or [CopelandScroll.com](http://CopelandScroll.com).

[EmersonClimate.com](http://EmersonClimate.com)

2009ECT-94 R3 (02/13) Emerson and Copeland Scroll are trademarks of Emerson Electric Co. or one of its affiliated companies ©2013 Emerson Climate Technologies, Inc. All rights reserved. Printed in the USA.

