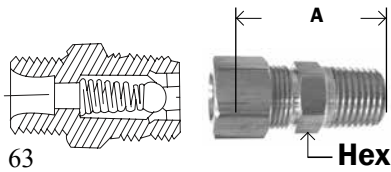


**BALL CHECK VALVE - Min. Working pressure 3 psi.**

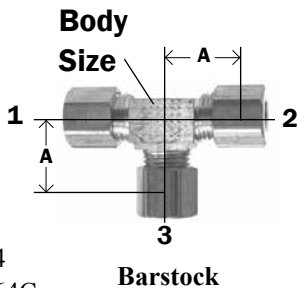
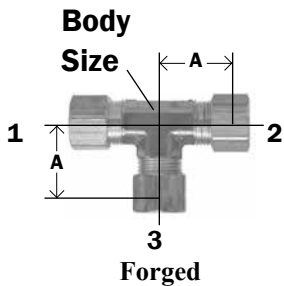


63  
263  
63A

Part #	Tube OD x Male NPTF	A	Hex	Approx. Wt. Lbs.	List Price
18-092	1/8" x 1/8"	0.78	0.44	0.04	11.63
18-094	1/4" x 1/8"	0.88	0.44	0.04	12.20
18-096	3/8" x 1/4"	1.16	0.56	0.08	16.11

**TEE**

**SAE# 060401**

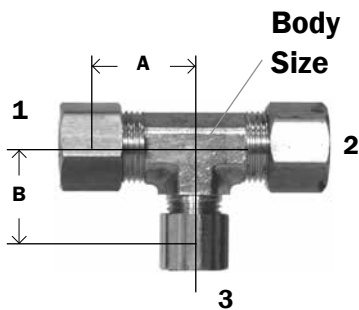


64  
264C

Part #	Size	A	Body Size	Approx. Wt. Lbs.	List Price
18-101	1/8"	0.61	0.37	0.04	12.96
18-101B*	1/8"	0.62	0.33	0.04	11.29
18-102	3/16"	0.59	0.36	0.08	5.80
18-102B*	3/16"	0.60	0.38	0.08	8.20
18-103	1/4"	0.63	0.36	0.10	5.35
18-103B*	1/4"	0.62	0.49	0.10	10.20
18-104	5/16"	0.72	0.50	0.13	8.49
18-104B*	5/16"	0.60	0.50	0.14	13.33
18-105	3/8"	0.75	0.50	0.16	6.27
18-105B*	3/8"	0.73	0.59	0.16	12.84
18-106	1/2"	0.94	0.59	0.22	13.61
18-106B*	1/2"	0.94	0.69	0.24	29.29
18-107	5/8"	1.06	0.69	0.28	14.51
18-108	3/4"	1.22	0.88	0.32	47.28
18-109	7/8"	1.25	0.94	0.34	37.98

\* Barstock

**FORGED REDUCING TEE**



64-R

Part #	Size 1 x 2 x 3	A	B	Body Size	Approx. Wt. Lbs.	List Price
18-114	1/4" x 1/4" x 1/8"	0.62	0.59	0.38	0.09	7.28
18-110	1/4" x 1/4" x 3/8"	0.69	0.75	0.50	0.14	16.10
18-111	3/8" x 1/4" x 1/4"	0.75	0.69	0.50	0.12	9.90
18-115	3/8" x 3/8" x 1/4"	0.75	0.69	0.50	0.14	7.27
18-116	1/2" x 1/2" x 1/4"	0.94	0.81	0.59	0.16	13.74
18-117	1/2" x 1/2" x 3/8"	0.94	0.81	0.59	0.24	14.79
18-118	5/8" x 5/8" x 3/8"	1.06	0.94	0.69	0.28	17.69
18-119	5/8" x 5/8" x 1/2"	1.06	1.06	0.69	0.30	19.58

Some product stocked in Houston and Atlanta.