

# Bell & Gossett Series PL Booster Pumps

## PL Large Booster Pumps with 115 volt motor



Available in Red Iron or Bronze

These maintenance-free pumps feature an advanced close-coupled design and permanently lubricated bearings for long-life and quiet operation. No need to oil every year!

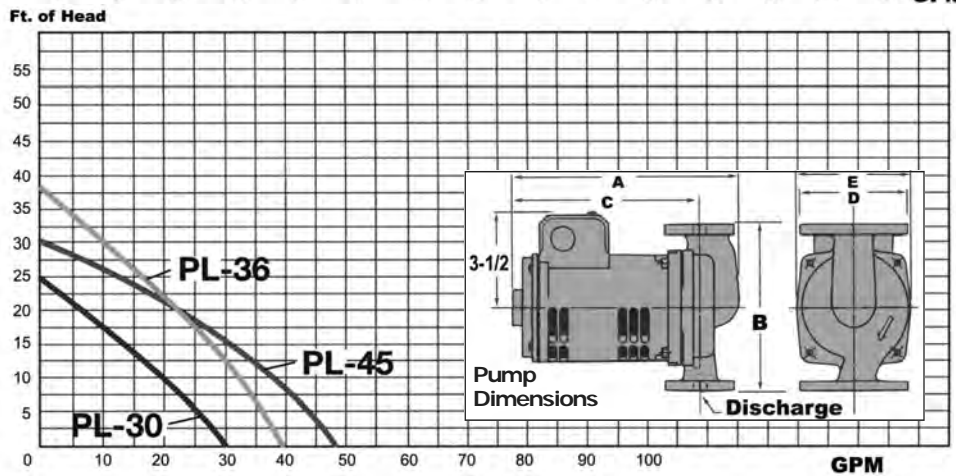
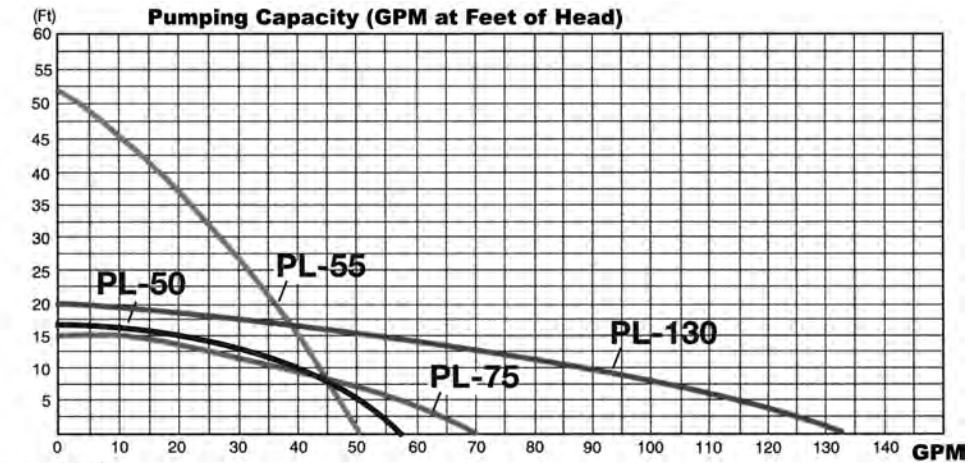
Max. Operating Press: 150 psi  
Max. Operating Temp: 225° F.

## PL Series Pump Ordering Guide

All pumps 115 volts  
230 volt models are special factory order.

If needed, order Flanges separately.  
Flanges come with Bolts/Nuts.

Fits pipe sizes 3/4" to 3" with the appropriate flange. New pump includes two flange gaskets.



Model No.	Iron Body Order No.	Bronze Body Order No.	Flange Sizes (Order Below)	RPM	HP	Weight in lbs.	Pump Dimensions (inches)				
							A	B	C	D	E
PL-30	BH1100	BH1105	3/4", 1", 1-1/4", 1-1/2"	2650	1/12	11.6	8-5/8	6-3/8	7-1/8	4-3/16	4-3/8
PL-36	BH1110	BH1115		3300	1/6	13.1					
PL-45	BH1120	BH1125	1", 1-1/4" and 1-1/2"	3300	1/6	14.5	9-1/8	8-1/2	7-1/4	4-5/8	4-3/8
PL-50	BH1130	BH1135		3300	1/6	14.5					
PL-55	BH1135G	BH1135H	3/4 thru 1-1/2"	3250	2/5	13.1	9-9/16	6-3/8	7-15/16	4-3/16	4-3/4
PL-75	BH1135K	BH1135L	2"	3400	1/6	18.5	9-15/16	8-1/2	7-3/8	5-3/16	4-5/8
PL-130	BH1135S	BH1135T		3200	2/5	22	10-3/4	8-1/2	8-1/4	5-3/16	5-1/8

## Repair Parts for PL Pumps

Model No.	Seal Kit <i>Repairs Leaking Pump</i>	Body Gasket <i>Order with Seal Kit</i>	Impeller	Flange Gaskets <i>Set of Two</i>
PL-30	BG1455A	BG1540P	BG1502A	BG1185
PL-36	BG1455A	BG1540P	BG1540P	BG1185
PL-45	BG1455A	BG1540P	BG1540P	BG1190
PL-50	BG1455A	BG1540P	BG1502	BG1190
PL-55	BG1510A	P83025	BG1502C	BG1185
PL-75	BG1455A	P13691	BG1502	BG1195
PL-130, 2"	BG1502E	P13691	BG1502D	BG1195
PL-130, 3"	BG1502E	P13691	BG1502D	BG1140

## Iron Pipe Flange for PL Pumps Sold Individually (each)

3/4" Flange One Each	1" Flange One Each	1 1/4" Flange One Each	1 1/2" Flange One Each	2" Flange One Each	2 1/2" Flange One Each	3" Flange One Each
BG1005	BG1010	BG1015	BG1020	—	—	—
BG1005	BG1010	BG1015	BG1020	—	—	—
—	BG1519B	BG1519G	BG1035	—	—	—
—	BG1519B	BG1519G	BG1035	—	—	—
BG1005	BG1010	BG1015	BG1020	—	—	—
—	—	—	—	P14200	—	—
—	—	—	—	P14200	—	—
—	—	—	—	—	BG1519I	P74000