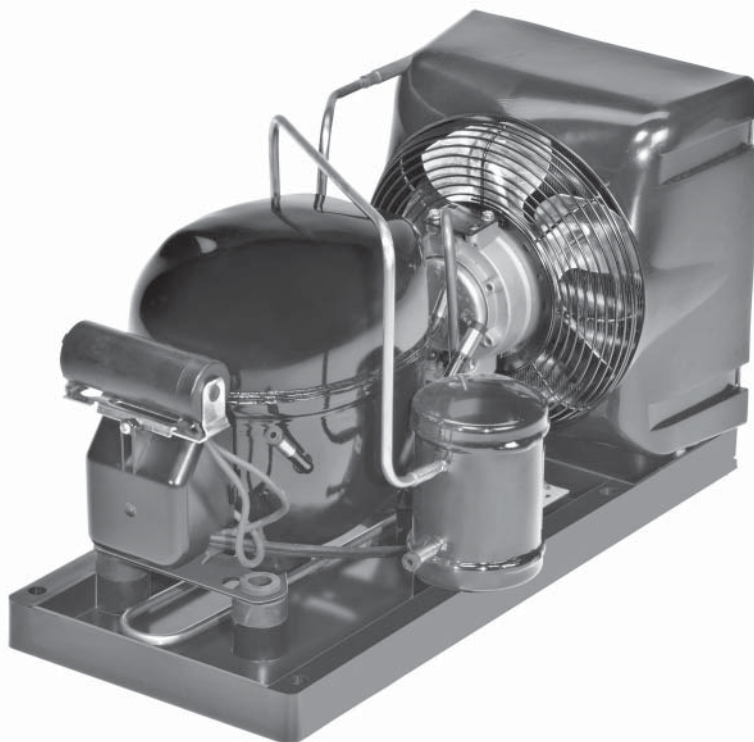


# Copevap<sup>®</sup>

## Hermetic air-cooled condensing units

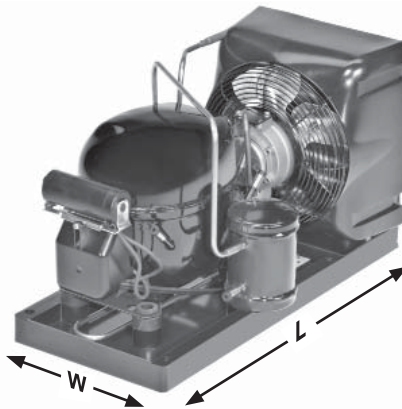
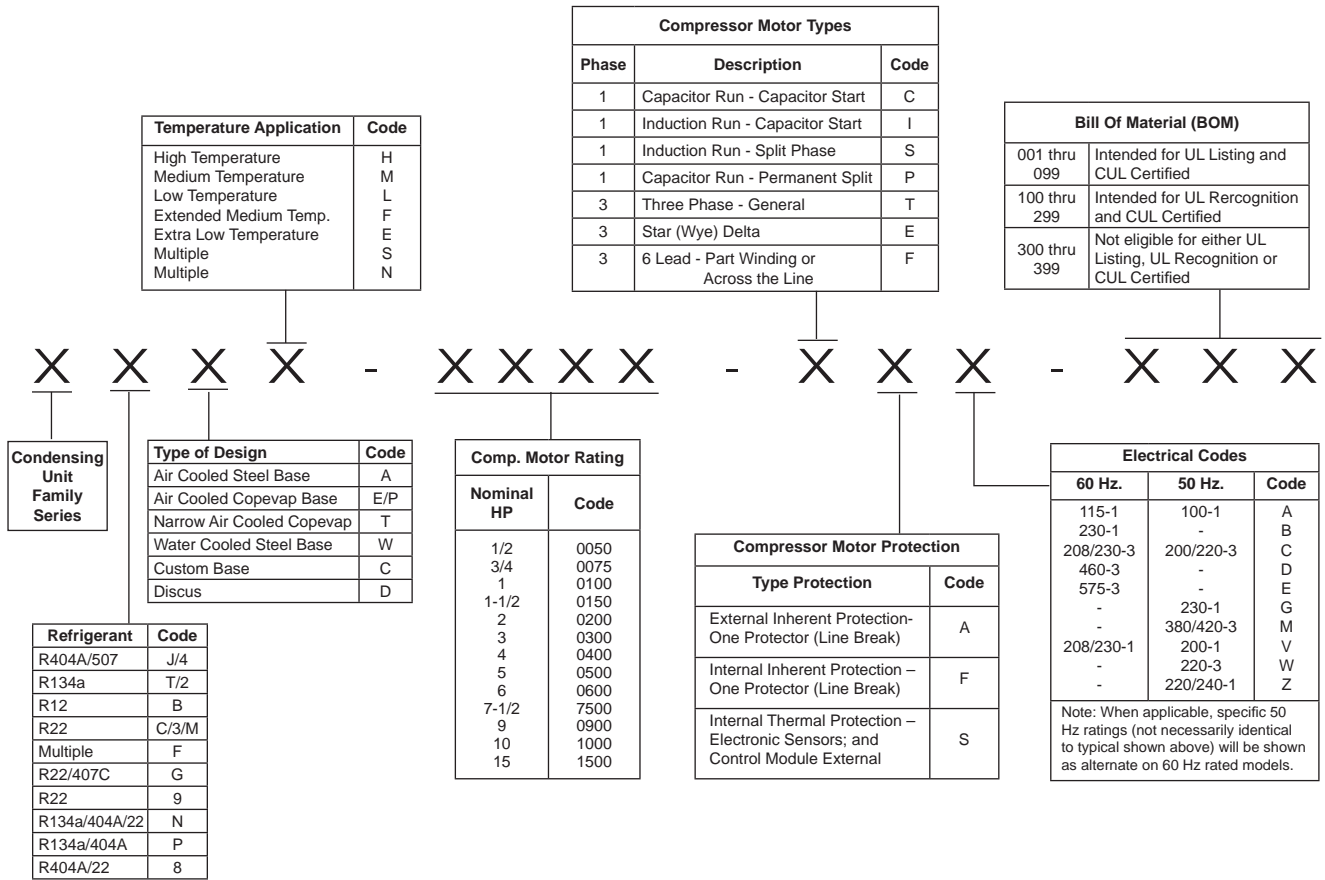
For more free Copeland literature please visit [www.HVACRinfo.com](http://www.HVACRinfo.com)



## Product Information

Horsepower:	1/6 – 3/4
Temperature Applications:	Low/Medium/High
Refrigerants:	R-134a, R-404A, R-22
Installation Applications:	A variety of applications including under-counter coolers and freezers, sandwich, salad and food prep tables, and milk or juice coolers

# Nomenclature • Welded Condensing Units



BOM	Suction Valve*	Liquid Connections		BX Conduit	Power Cord	Fan Guard	UR/UL
		Base Valve	Receiver w/Valve				
020	•		•	•		•	UL
111	•	•			•		UR
208	•	•		•		•	UR*
908					•	•	UR
918			•		•	•	UR
212	•		•	•		•	UR*

\* These recognized models are identical to the UL listed models less pressure control. Need for the control is to be evaluated by the end use application. UL/UR are registered trademarks of Underwriters Laboratories, Inc.

## Copevap® hermetic air-cooled condensing units

Features	Benefits
Copeland® Hermetic Compressor	Reliability
	High Energy Efficiency
	Low Sound & Vibration
Molded Shroud	Optimizes Airflow Across Coil to Help Lower Temperatures
Larger Condensate Holding Base	Quick Evaporation Rate for Condensate Removal
Fan Guard and Power Cord Standard	Cost Savings (No need to add parts)
Compact and Narrow Base Design	Application Flexibility
All Models Rated Up to 100° F Ambient	

### Resources and Support

#### EmersonClimate.com

##### ■ Online Product Information and Technical Data

- Application Engineering Bulletins
- Instruction Sheets
- Marketing Brochures

##### ■ Where to Buy

### Application Engineering Bulletins

- 4-1255 U.L. and C.S.A. Agency File Numbers
- 4-1295 HFC-134A Refrigerant Guidelines
- 4-1298 Extended Medium Temperature R-404A/507 Hermetic Compressors and Condensing Units
- 4-1305 System Pro AF, R, AS Refrigeration Hermetic 1/8 - 1 Horsepower Compressors
- 4-1344 Application Guidelines for RFT,RST,RST Compressors
- 5-1340 Care and Cleaning of Air-Cooled Condensing Units
- 8-1376 Electronic Unit Controller
- 17-1260 Compressor Overheating
- 17-1268 Compression Ratio as it Affects Compressor Reliability
- 22-1182 Liquid Refrigerant Control in Refrigeration and Air Conditioning Systems

For more information, visit [EmersonClimate.com](http://EmersonClimate.com) and login to the Customer Portal to view Online Product Information

# Copevap® hermetic air-cooled condensing units

## Capacity Data

HIGH/MED TEMP		Capacity (BTU/Hr) at 90° Ambient - Evaporator Temp (°F)						
Model	BOM	Refrig.	H.P.	0	+5	+10	+15	+20
M2TH-0017-IAA	908, 918	134a	1/6	670	760	860	970	1090
M2TH-0020-IAA	908, 918	134a	1/5	790	880	980	1090	1220
M4TM-0020-IAA	908, 918	404A	1/5	980	1090	1190	1290	1400
M2TH-0024-IAA	908, 918	134a	1/4	830	1000	1180	1360	1540
M4TM-H025-IAA	908, 918	404A	1/4	1560	1720	1860	2010	2150
M2EH-0026-IAA	020, 111	134a	1/4		1270	1530	1700	1890
M2PH-0026-IAA	020, 111	134a	1/4		1270	1530	1700	1890
MCEH-0027-IAA	111, 212	22	1/4	1520	1710	1910	2130	2360
MCPH-0027-IAA	111, 208, 212	22	1/4	1520	1710	1910	2130	2360
M4EH-0025-IAA	111, 208, 212	404A	1/4	1600	1730	1890	2060	2240
M4PH-0025-IAA	111, 208, 212	404A	1/4	1600	1730	1890	2060	2230
M2TH-H033-IAA	908, 918	134a	1/3	1390	1540	1710	1900	2100
M4TM-0033-IAA, IAV	908, 918	404A	1/3	1560	1750	1920	2110	2310
M2EH-A033-IAA, IAV	111, 208, 212	134a	1/3		1500	1870	2110	2360
M2PH-A033-IAA, IAV	111, 208, 212	134a	1/3		1500	1870	2110	2360
MCEH-0035-IAA	111, 208, 212	22	1/3	1720	1960	2200	2450	2730
MCPH-0035-IAA	111, 208, 212	22	1/3	1740	1960	2200	2450	2730
M4EH-A035-IAA, IAV	111, 208, 212	404A	1/3	1800	2040	2280	2530	2800
M4PH-A035-IAA, IAV	111, 208, 212	404A	1/3	1800	2040	2280	2530	2800
M2EH-0047-IAA, IAV	111, 208, 212	134a	1/2		2050	2400	2740	3100
M2PH-0047-IAA, IAV	111, 208, 212	134a	1/2		2050	2400	2740	3100
M2EM-A048-IAA	121, 122	134a	1/2	2170	2460	2760	3070	3390
MCEH-0048-CAA, CAV	111, 208, 212	22	1/2	2420	2710	3020	3360	3720
M4EH-0049-CAA, CAV	111, 208, 212	404A	1/2	2470	2750	3020	3310	3620
FTEH-B075-IAA, IAV	208, 212	134a	3/4	2960	3440	3920	4420	4950
F3EH-A078-IAA, IAV	208, 212	22	3/4	3290	3860	4480	5120	5760
M4EF-0075-CAA	212	404A	3/4	3980	4490	4990	5520	6060
LOW TEMP		Capacity (BTU/Hr) at 90° Ambient - Evaporator Temp (°F)						
Model	BOM	Refrig.	H.P.	-25	-20	-15	-10	-5
M4TL-H025-IAA	908, 918	404A	1/4	620	700	780	860	960
M2PL-A025-IAA	111, 208, 212	134a	1/4	720	820	940	1070	1210
M4PL-0025-IAA	020, 111	404A	1/4	610	710	810	920	1040
M4TL-H033-IAA	908, 918	404A	1/3	810	920	1040	1170	1310
M4TL-H034-IAA	908, 918	404A	1/3	1010	1140	1270	1420	1570
M2EL-B033-IAA	020, 111	134a	1/3	850	960	1090	1240	1410
M2PL-B033-IAA	020, 111	134a	1/3	850	960	1090	1240	1410
M4EL-0033-IAA	020, 111, 212	404A	1/3	860	1040	1210	1390	1570
M2EL-0040-IAA	020, 111	134a	1/3	920	1120	1320	1540	1770
M2PL-0040-IAA	020, 111	134a	1/3	920	1120	1320	1540	1770
FTEL-A050-IAA, IAV	208, 212	134a	1/2	1280	1590	1910	2260	2620
M4EL-0039-IAA	111, 208, 212	404A	1/2	1290	1510	1740	1980	2240
M4PL-0039-IAA	111, 208, 212	404A	1/2	1290	1510	1740	1980	2240
M4EL-0050-IAA	111, 208, 212	404A	1/2	1330	1590	1870	2170	2480
M4PL-0050-IAA	111, 208, 212	404A	1/2	1330	1590	1870	2170	2470
M4EF-0080-CFA	212	404A	3/4	2490	2930	3930	3880	4380

# Copevap® hermetic air-cooled condensing units

## Capacity Data

HIGH/MED TEMP		Capacity (BTU/Hr) at 90° Ambient - Evaporator Temp (°F)						
Model	BOM	Refrig.	H.P.	+25	+30	+35	+40	+45
M2TH-0017-IAA	908, 918	134a	1/6	1210	1340	1480	1630	1770
M2TH-0020-IAA	908, 918	134a	1/5	1350	1500	1650	1810	1970
M4TM-0020-IAA	908, 918	404A	1/5	1520				
M2TH-0024-IAA	908, 918	134a	1/4	1730	1920	2130	2340	2550
M4TM-H025-IAA	908, 918	404A	1/4	2300				
M2EH-0026-IAA	020, 111	134a	1/4	2080	2280	2490	2710	2940
M2PH-0026-IAA	020, 111	134a	1/4	2080	2280	2490	2710	2940
MCEH-0027-IAA	111, 212	22	1/4	2600	2850	3110	3380	3660
MCPH-0027-IAA	111, 208, 212	22	1/4	2600	2850	3110	3380	3660
M4EH-0025-IAA	111, 208, 212	404A	1/4	2430	2620	2820	3030	3240
M4PH-0025-IAA	111, 208, 212	404A	1/4	2430	2620	2820	3030	3270
M2TH-H033-IAA	908, 918	134a	1/3	2320	2560	2800	3040	3290
M4TM-0033-IAA, IAV	908, 918	404A	1/3	2520				
M2EH-A033-IAA, IAV	111, 208, 212	134a	1/3	2620	2900	3190	3500	3820
M2PH-A033-IAA, IAV	111, 208, 212	134a	1/3	2620	2900	3190	3500	3820
MCEH-0035-IAA	111, 208, 212	22	1/3	3020	3330	3650	4000	4360
MCPH-0035-IAA	111, 208, 212	22	1/3	3020	3330	3650	4000	4360
M4EH-A035-IAA, IAV	111, 208, 212	404A	1/3	3100	3430	3810	4230	4710
M4PH-A035-IAA, IAV	111, 208, 212	404A	1/3	3100	3430	3810	4230	4710
M2EH-0047-IAA, IAV	111, 208, 212	134a	1/2	3460	3830	4210	4610	5030
M2PH-0047-IAA, IAV	111, 208, 212	134a	1/2	3460	3830	4210	4610	5030
M2EM-A048-IAA	121, 122	134a	1/2	3740				
MCEH-0048-CAA, CAV	111, 208, 212	22	1/2	4110	4520	4950	5410	5880
M4EH-0049-CAA, CAV	111, 208, 212	404A	1/2	3970	4350	4800	5320	5940
FTEH-B075-IAA, IAV	208, 212	134a	3/4	5510	6130	6810	7550	8350
F3EH-A078-IAA, IAV	208, 212	22	3/4	6450	7130	74870	8660	9440
M4EF-0075-CAA	212	404A	3/4	6620				
LOW TEMP		Capacity (BTU/Hr) at 90° Ambient - Evaporator Temp (°F)						
Model	BOM	Refrig.	H.P.	0	+5	+10	+15	+20
M4TL-H025-IAA	908, 918	404A	1/4	1050				
M2PL-A025-IAA	111, 208, 212	134a	1/4	1370				
M4PL-0025-IAA	020, 111	404A	1/4	1160				
M4TL-H033-IAA	908, 918	404A	1/3	1450	1610	1760	1920	
M4TL-H034-IAA	908, 918	404A	1/3	1720				
M2EL-B033-IAA	020, 111	134a	1/3	1590				
M2PL-B033-IAA	020, 111	134a	1/3	1590				
M4EL-0033-IAA	020, 111, 212	404A	1/3	1750				
M2EL-0040-IAA	020, 111	134a	1/3	2010				
M2PL-0040-IAA	020, 111	134a	1/3	2010				
FTEL-A050-IAA, IAV	208, 212	134a	1/2	2980				
M4EL-0039-IAA	111, 208, 212	404A	1/2	2500				
M4PL-0039-IAA	111, 208, 212	404A	1/2	2500				
M4EL-0050-IAA	111, 208, 212	404A	1/2	2790				
M4PL-0050-IAA	111, 208, 212	404A	1/2	2790				
M4EF-0080-CFA	212	404A	3/4	4880	5440	5980	6530	7080

# Copevap® hermetic air-cooled condensing units

## Capacity Data

HIGH/MED TEMP		Capacity (BTU/Hr) at 100° Ambient - Evaporator Temp (°F)						
Model	BOM	Refrig.	H.P.	0	+5	+10	+15	+20
M2TH-0017-IAA	908, 918	134a	1/6	610	700	790	890	1000
M2TH-0020-IAA	908, 918	134a	1/5	740	820	900	1010	1120
M4TM-0020-IAA	908, 918	404A	1/5	870	970	1060	1160	1270
M2TH-0024-IAA	908, 918	134a	1/4	760	920	1080	1250	1420
M4TM-H025-IAA	908, 918	404A	1/4	1470	1590	1700	1800	1920
M2EH-0026-IAA	020, 111	134a	1/4		1170	1400	1570	1710
M2PH-0026-IAA	020, 111	134a	1/4		1170	1400	1570	1710
MCEH-0027-IAA	111, 212	22	1/4		1510	1710	1930	2150
MCPH-0027-IAA	111, 208, 212	22	1/4		1510	1710	1930	2150
M4EH-0025-IAA	111, 208, 212	404A	1/4	1460	1560	1700	1870	2030
M4PH-0025-IAA	111, 208, 212	404A	1/4	1460	1560	1700	1870	2030
M2TH-H033-IAA	908, 918	134a	1/3	1290	1430	1580	1750	1940
M4TM-0033-IAA, IAV	908, 918	404A	1/3	1360	1540	1710	1890	2090
M2EH-A033-IAA, IAV	111, 208, 212	134a	1/3		1350	1690	1920	2150
M2PH-A033-IAA, IAV	111, 208, 212	134a	1/3		1350	1690	1920	2150
MCEH-0035-IAA	111, 208, 212	22	1/3		1770	1990	2230	2490
MCPH-0035-IAA	111, 208, 212	22	1/3		1770	1990	2230	2490
M4EH-A035-IAA, IAV	111, 208, 212	404A	1/3	1570	1800	2020	2250	2510
M4PH-A035-IAA, IAV	111, 208, 212	404A	1/3	1570	1800	2020	2250	2510
M2EH-0047-IAA, IAV	111, 208, 212	134a	1/2		1850	2170	2490	2820
M2PH-0047-IAA, IAV	111, 208, 212	134a	1/2		1850	2170	2490	2820
M2EM-A048-IAA	121, 122	134a	1/2		2250	2520	2810	3110
MCEH-0048-CAA, CAV	111, 208, 212	22	1/2		2460	2760	3080	3430
M4EH-0049-CAA, CAV	111, 208, 212	404A	1/2	2190	2480	2760	3050	3370
FTEH-B075-IAA, IAV	208, 212	134a	3/4	2550	3000	3440	3900	4390
F3EH-A078-IAA, IAV	208, 212	22	3/4		3430	4020	4620	5220
M4EF-0075-CAA	212	404A	3/4	3530	3990	4450	4930	5430
LOW TEMP		Capacity (BTU/Hr) at 100° Ambient - Evaporator Temp (°F)						
Model	BOM	Refrig.	H.P.	-25	-20	-15	-10	-5
M4TL-H025-IAA	908, 918	404A	1/4	540	610	690	770	860
M2PL-A025-IAA	111, 208, 212	134a	1/4	670	760	870	1000	1130
M4PL-0025-IAA	020, 111	404A	1/4	560	640	740	840	950
M4TL-H033-IAA	908, 918	404A	1/3	730	830	940	1060	1190
M4TL-H034-IAA	908, 918	404A	1/3		1030	1160	1290	1430
M2EL-B033-IAA	020, 111	134a	1/3	770	880	1000	1150	1300
M2PL-B033-IAA	020, 111	134a	1/3	770	880	1000	1150	1300
M4EL-0033-IAA	020, 111, 212	404A	1/3	690	850	1010	1180	1360
M2EL-0040-IAA	020, 111	134a	1/3	780	960	1150	1350	1570
M2PL-0040-IAA	020, 111	134a	1/3	780	960	1150	1350	1570
FTEL-A050-IAA, IAV	208, 212	134a	1/2	1050	1340	1970	1640	2310
M4EL-0039-IAA	111, 208, 212	404A	1/2	1080	1280	1500	1720	1950
M4PL-0039-IAA	111, 208, 212	404A	1/2	1080	1280	1500	1720	1950
M4EL-0050-IAA	111, 208, 212	404A	1/2	1110	1340	1590	1860	2150
M4PL-0050-IAA	111, 208, 212	404A	1/2	1130	1350	1600	1870	2150
M4EF-0080-CFA	212	404A	3/4	2180	2590	3020	3470	3930

# Copevap® hermetic air-cooled condensing units

## Capacity Data

HIGH/MED TEMP		Capacity (BTU/Hr) at 100° Ambient - Evaporator Temp (°F)						
Model	BOM	Refrig.	H.P.	+25	+30	+35	+40	+45
M2TH-0017-IAA	908, 918	134a	1/6	1110	1240	1370	1500	1640
M2TH-0020-IAA	908, 918	134a	1/5	1240	1380	1520	1670	1830
M4TM-0020-IAA	908, 918	404A	1/5	1390				
M2TH-0024-IAA	908, 918	134a	1/4	1600	1780	1970	2160	2360
M4TM-H025-IAA	908, 918	404A	1/4	2030				
M2EH-0026-IAA	020, 111	134a	1/4	1890	2080	2300	2520	2710
M2PH-0026-IAA	020, 111	134a	1/4	1890	2080	2300	2520	2710
MCEH-0027-IAA	111, 212	22	1/4	2380	2610	2860	3130	3400
MCPH-0027-IAA	111, 208, 212	22	1/4	2380	2610	2860	3130	3400
M4EH-0025-IAA	111, 208, 212	404A	1/4	2220	2400	2620	2840	3030
M4PH-0025-IAA	111, 208, 212	404A	1/4	2220	2400	2620	2840	3030
M2TH-H033-IAA	908, 918	134a	1/3	2140	2350	2570		
M4TM-0033-IAA, IAV	908, 918	404A	1/3	2320				
M2EH-A033-IAA, IAV	111, 208, 212	134a	1/3	2420	2670	2970	3230	3490
M2PH-A033-IAA, IAV	111, 208, 212	134a	1/3	2420	2670	2970	3230	3490
MCEH-0035-IAA	111, 208, 212	22	1/3	2770	3070	3380	3710	4060
MCPH-0035-IAA	111, 208, 212	22	1/3	2770	3070	3380	3710	4060
M4EH-A035-IAA, IAV	111, 208, 212	404A	1/3	2800	3130	3500	3930	4430
M4PH-A035-IAA, IAV	111, 208, 212	404A	1/3	2800	3130	3500	3930	4430
M2EH-0047-IAA, IAV	111, 208, 212	134a	1/2	3160	3500	3870	4250	
M2PH-0047-IAA, IAV	111, 208, 212	134a	1/2	3160	3500	3870	4250	
M2EM-A048-IAA	121, 122	134a	1/2	3430				
MCEH-0048-CAA, CAV	111, 208, 212	22	1/2	3810	4220	4650	5110	5590
M4EH-0049-CAA, CAV	111, 208, 212	404A	1/2	3730	4140			
FTEH-B075-IAA, IAV	208, 212	134a	3/4	4910	5470	6100	6790	7550
F3EH-A078-IAA, IAV	208, 212	22	3/4	5860	6510	7190	7930	8670
M4EF-0075-CAA	212	404A	3/4	5940				
LOW TEMP		Capacity (BTU/Hr) at 100° Ambient - Evaporator Temp (°F)						
Model	BOM	Refrig.	H.P.	0	+5	+10	+15	+20
M4TL-H025-IAA	908, 918	404A	1/4	940				
M2PL-A025-IAA	111, 208, 212	134a	1/4	1280				
M4PL-0025-IAA	020, 111	404A	1/4					
M4TL-H033-IAA	908, 918	404A	1/3	1320	1460	1600	1740	
M4TL-H034-IAA	908, 918	404A	1/3	1560				
M2EL-B033-IAA	020, 111	134a	1/3	1480				
M2PL-B033-IAA	020, 111	134a	1/3	1480				
M4EL-0033-IAA	020, 111, 212	404A	1/3	1530				
M2EL-0040-IAA	020, 111	134a	1/3	1810				
M2PL-0040-IAA	020, 111	134a	1/3	1810				
FTEL-A050-IAA, IAV	208, 212	134a	1/2	2660				
M4EL-0039-IAA	111, 208, 212	404A	1/2	2180				
M4PL-0039-IAA	111, 208, 212	404A	1/2	2180				
M4EL-0050-IAA	111, 208, 212	404A	1/2	2430				
M4PL-0050-IAA	111, 208, 212	404A	1/2	2430				
M4EF-0080-CFA	212	404A	3/4	4380	4900	5380	5880	6380

# Copevap® hermetic air-cooled condensing units

## Capacity Data

HIGH/MED TEMP		Capacity (BTU/Hr) at 110° Ambient - Evaporator Temp (°F)						
Model	BOM	Refrig.	H.P.	0	+5	+10	+15	+20
M2TH-0017-IAA	908, 918	134a	1/6	550	630	720	810	910
M2TH-0020-IAA	908, 918	134a	1/5	680	750	820	920	1020
M4TM-0020-IAA	908, 918	404A	1/5		870	970	1070	1190
M2TH-0024-IAA	908, 918	134a	1/4	690	840	990	1150	1300
M4TM-H025-IAA	908, 918	404A	1/4			1540	1610	1680
M2EH-0026-IAA	020, 111	134a	1/4			1330	1470	1570
M2PH-0026-IAA	020, 111	134a	1/4			1330	1470	1570
MCEH-0027-IAA	111, 212	22	1/4			1540	1750	1970
MCPH-0027-IAA	111, 208, 212	22	1/4			1540	1750	1970
M4EH-0025-IAA	111, 208, 212	404A	1/4	1250	1390	1530	1690	1840
M4PH-0025-IAA	111, 208, 212	404A	1/4	1250	1390	1530	1690	1840
M2TH-H033-IAA	908, 918	134a	1/3					
M4TM-0033-IAA, IAV	908, 918	404A	1/3		1360	1540	1730	1940
M2EH-A033-IAA, IAV	111, 208, 212	134a	1/3			1520	1740	1970
M2PH-A033-IAA, IAV	111, 208, 212	134a	1/3			1520	1740	1970
MCEH-0035-IAA	111, 208, 212	22	1/3			1830	2060	2310
MCPH-0035-IAA	111, 208, 212	22	1/3			1830	2060	2310
M4EH-A035-IAA, IAV	111, 208, 212	404A	1/3	1360	1570	1790	2020	2270
M4PH-A035-IAA, IAV	111, 208, 212	404A	1/3	1360	1570	1790	2020	2270
M2EH-0047-IAA, IAV	111, 208, 212	134a	1/2					2570
M2PH-0047-IAA, IAV	111, 208, 212	134a	1/2					2570
M2EM-A048-IAA	121, 122	134a	1/2				2580	2860
MCEH-0048-CAA, CAV	111, 208, 212	22	1/2			2520	2840	3190
M4EH-0049-CAA, CAV	111, 208, 212	404A	1/2			2580	290	
FTEH-B075-IAA, IAV	208, 212	134a	3/4			3050	3470	3910
F3EH-A078-IAA, IAV	208, 212	22	3/4			3540	4100	4660
M4EF-0075-CAA	212	404A	3/4			3940	4370	4820
LOW TEMP		Capacity (BTU/Hr) at 110° Ambient - Evaporator Temp (°F)						
Model	BOM	Refrig.	H.P.	-25	-20	-15	-10	-5
M4TL-H025-IAA	908, 918	404A	1/4		510	590	670	750
M2PL-A025-IAA	111, 208, 212	134a	1/4		700	800	920	1050
M4PL-0025-IAA	020, 111	404A	1/4	500	570	660	750	840
M4TL-H033-IAA	908, 918	404A	1/3		750	850	960	1070
M4TL-H034-IAA	908, 918	404A	1/3				1160	1290
M2EL-B033-IAA	020, 111	134a	1/3		800	920	1050	1200
M2PL-B033-IAA	020, 111	134a	1/3		800	920	1050	1200
M4EL-0033-IAA	020, 111, 212	404A	1/3	520	670	830	990	1160
M2EL-0040-IAA	020, 111	134a	1/3	600	780	970	1170	1390
M2PL-0040-IAA	020, 111	134a	1/3	600	780	970	1170	1390
FTEL-A050-IAA, IAV	208, 212	134a	1/2				1700	2020
M4EL-0039-IAA	111, 208, 212	404A	1/2	850	1050	1250	1470	1670
M4PL-0039-IAA	111, 208, 212	404A	1/2	850	1050	1250	1470	1670
M4EL-0050-IAA	111, 208, 212	404A	1/2	870	1080	1320	1570	1850
M4PL-0050-IAA	111, 208, 212	404A	1/2	880	1090	1330	1580	1850
M4EF-0080-CFA	212	404A	3/4		2290	2680	3080	3500



# Copevap® hermetic air-cooled condensing units

## Capacity Data

HIGH/MED TEMP		Capacity (BTU/Hr) at 110° Ambient - Evaporator Temp (°F)						
Model	BOM	Refrig.	H.P.	+25	+30	+35	+40	+45
M2TH-0017-IAA	908, 918	134a	1/6	1020	1140	1260	1380	1510
M2TH-0020-IAA	908, 918	134a	1/5	1130	1260	1390	1540	1690
M4TM-0020-IAA	908, 918	404A	1/5	1320				
M2TH-0024-IAA	908, 918	134a	1/4	1470	1630	1810	1990	
M4TM-H025-IAA	908, 918	404A	1/4	1770	---	---		
M2EH-0026-IAA	020, 111	134a	1/4	1740	1910	2100		
M2PH-0026-IAA	020, 111	134a	1/4	1740	1910	2100		
MCEH-0027-IAA	111, 212	22	1/4	2180	2410			
MCPH-0027-IAA	111, 208, 212	22	1/4	2180	2410			
M4EH-0025-IAA	111, 208, 212	404A	1/4	2020	2190			
M4PH-0025-IAA	111, 208, 212	404A	1/4	2020	2190			
M2TH-H033-IAA	908, 918	134a	1/3	1960				
M4TM-0033-IAA, IAV	908, 918	404A	1/3					
M2EH-A033-IAA, IAV	111, 208, 212	134a	1/3	2220	2440	2720		
M2PH-A033-IAA, IAV	111, 208, 212	134a	1/3	2220	2440	2720	2720	
MCEH-0035-IAA	111, 208, 212	22	1/3	2580	2870	3180	3510	
MCPH-0035-IAA	111, 208, 212	22	1/3	2580	2870	3180	3510	
M4EH-A035-IAA, IAV	111, 208, 212	404A	1/3	2570	2900	3290	3750	
M4PH-A035-IAA, IAV	111, 208, 212	404A	1/3	2570	2900	3290	3750	
M2EH-0047-IAA, IAV	111, 208, 212	134a	1/2	2890				
M2PH-0047-IAA, IAV	111, 208, 212	134a	1/2	2890				
M2EM-A048-IAA	121, 122	134a	1/2	3160				
MCEH-0048-CAA, CAV	111, 208, 212	22	1/2	3570	3970			
M4EH-0049-CAA, CAV	111, 208, 212	404A	1/2					
FTEH-B075-IAA, IAV	208, 212	134a	3/4	4380	4900	5470	5470	
F3EH-A078-IAA, IAV	208, 212	22	3/4	5270	5870	6520	7200	7890
M4EF-0075-CAA	212	404A	3/4					
LOW TEMP		Capacity (BTU/Hr) at 110° Ambient - Evaporator Temp (°F)						
Model	BOM	Refrig.	H.P.	0	+5	+10	+15	+20
M4TL-H025-IAA	908, 918	404A	1/4	830				
M2PL-A025-IAA	111, 208, 212	134a	1/4	1190				
M4PL-0025-IAA	020, 111	404A	1/4	930				
M4TL-H033-IAA	908, 918	404A	1/3	1190	1310	1440	1560	
M4TL-H034-IAA	908, 918	404A	1/3					
M2EL-B033-IAA	020, 111	134a	1/3	1360				
M2PL-B033-IAA	020, 111	134a	1/3	1360				
M4EL-0033-IAA	020, 111, 212	404A	1/3	1320				
M2EL-0040-IAA	020, 111	134a	1/3	1630				
M2PL-0040-IAA	020, 111	134a	1/3	1630				
FTEL-A050-IAA, IAV	208, 212	134a	1/2	2350				
M4EL-0039-IAA	111, 208, 212	404A	1/2	1900				
M4PL-0039-IAA	111, 208, 212	404A	1/2	1900				
M4EL-0050-IAA	111, 208, 212	404A	1/2	2130				
M4PL-0050-IAA	111, 208, 212	404A	1/2	2140				
M4EF-0080-CFA	212	404A	3/4	3910	4370	4800	5250	5690

# Copevap® hermetic air-cooled condensing units

## Physical Data

HIGH/MED TEMP Model	Comp	Overall Dimensions (in)			Connecting Lines		Minimum Circuit Ampacity - Max Fuse Size		Pump Down Capacity (lbs)	Ship Weight (lbs)
		L	W	H	Suction	Liquid	115-1-60-1	230-1-60		
M2TH-0017-IAA	ARB13C3E-IAA	19.0	9.4	10.5	5/16 S	1/4 S	4.4 - 15		2.2	32
M2TH-0020-IAA	ARB17C3E-IAA	19.0	8.5	10.5	5/16 S	1/4 S	5.3 - 15		2.2	33
M4TM-0020-IAA	ASB12C3E-IAA	19.0	8.5	10.5	5/16 S	1/4 S	7.5 - 15		1.9	33
M2TH-0024-IAA	ARE25C3E-IAA	19.0	9.4	10.5	5/16 S	1/4 S	6.7 - 15		2.2	34
M4TM-H025-IAA	ASE20C4E-IAA	19.0	8.5	10.5	5/16 S	1/4 S	8.4 - 15		1.9	34
M2EH-0026-IAA	ARE27C3E-IAA	16.0	14.3	10.5	3/8 S	1/4 S	6.9-15		2.3	41
M2PH-0026-IAA	ARE27C3E-IAA	19.9	11.1	10.6	3/8 S	1/4 S	6.9-15		2.3	41
MCEH-0027-IAA	ARE36C3-IAA	16.0	14.3	10.5	3/8 S	1/4 S	9.1 - 15		2.5	42
MCPH-0027-IAA	ARE36C3-IAA	19.9	11.1	10.5	3/8 S	1/4 S	9.1 - 15		2.5	42
M4EH-0025-IAA	ASE19C3E-IAA	16.0	14.3	10.5	3/8 S	1/4 S	10.7 - 15			36
M4PH-0025-IAA	ASE19C3E-IAA	19.9	11.0	10.5	3/8 S	1/4 S	10.7 - 15		2.2	41
M2TH-H033-IAA	ARE34C4E-IAA	19.0	8.5	10.5	5/16 S	1/4 S	6.6 - 15		2.2	35
M4TM-0033-IAA, IAV	ASE24C3E-IA*	19.0	8.5	10.5	5/16 S	1/4 S	8.4 - 15	5.9 - 15	1.9	35
M2EH-A033-IAA, IAV	ARE37C3E-IA*	16.0	14.3	10.5	3/8 S	1/4 S	9.9-15		2.5	46
M2PH-A033-IAA, IAV	ARE37C3E-IA*	19.9	11.1	10.5	3/8 S	1/4 S	9.9-15	4.9-15	2.5	46
MCEH-0035-IAA	ARE43C3-IAA	16.0	15.1	11.8	3/8 S	1/4 S	9.7 - 15		2.9	47
MCPH-0035-IAA	ARE43C3-IAA	19.9	11.1	10.5	3/8 S	1/4 S	9.7 - 15		2.9	47
M4EH-A035-IAA, IAV	ASE24C3E-IA*	16.0	15.1	11.8	3/8 S	1/4 S	8.4 - 15	5.9 - 15	2.7	45
M4PH-A035-IAA, IAV	ASE24C3E-IA*	19.9	11.1	10.5	3/8 S	1/4 S	8.4 - 15	5.9 - 15	2.7	45
M2EH-0047-IAA, IAV	ART51C1E-IA*	16.2	15.1	11.8	3/8 S	1/4 S	12.5 - 20		2.9	50
M2PH-0047-IAA, IAV	ART51C1E-IA*	19.9	11.1	10.5	3/8 S	1/4 S	12.5 - 20	6.9 - 15	2.9	50
M2EM-A048-IAA	RRT62C1E-IAA	16.6	15.5	11.8	3/8 S	1/4 S	12.8 - 20		3.7	55
MCEH-0048-CAA, CAV	ARE59C3-CA*	16.0	15.3	11.8	3/8 S	1/4 S	10.9 - 15		3.3	54
M4EH-0049-CAA, CAV	ASE32C3E-CA*	16.1	15.3	11.8	3/8 S	1/4 S	12.3 - 20	6.7-15	3.4	50
FTEH-B075-IAA, IAV	RR81C2E-IA*	24.0	16.6	13.7	5/8 S	3/8 S	21 - 30	10.7-15	5.0	114
F3EH-A078-IAA, IAV	RS47C2-IA*	24.0	16.4	13.7	5/8 S	3/8 S	19.9 - 30	10.1-15	6.1	102
M4EF-0075-CAA	RST55C1E-CAA	24.0	16.8	13.7	3/8 S	3/8 S	20.8 - 30		3.2	68
LOW TEMP Model	Comp	Overall Dimensions (in)			Connecting Lines		Minimum Circuit Ampacity - Max Fuse Size		Pump Down Capacity (lbs)	Ship Weight (lbs)
		L	W	H	Suction	Liquid	115-1-60-1	230-1-60		
M4TL-H025-IAA	AFE08C4E-IAA	19.0	8.5	10.5	5/16 S	1/4 S	5.8 - 15		1.9	31
M2PL-A025-IAA	AFE10C3E-IAA	19.9	11.1	10.5	3/8 S	1/4 S	6.9 - 15		2.5	42
M4PL-0025-IAA	AFB09C3E-IAA	19.9	11.1	10.5	3/8 S	1/4 S	6.7-15		2.2	40
M4TL-H033-IAA	AFE11C4E-IAA	19.0	8.5	10.5	5/16 S	1/4 S	6.1 - 15		1.9	35
M4TL-H034-IAA	AFE13C4E-IAA	19.0	8.5	10.5	5/16 S	1/4 S	7.9 - 15		1.9	36
M2EL-B033-IAA	AFE12C3E-IAA	16.0	14.4	10.5	3/8 S	1/4 S	6.7 - 15		2.5	47
M2PL-B033-IAA	AFE12C3E-IAA	19.9	11.1	10.5	3/8 S	1/4 S	6.7 - 15		2.5	47
M4EL-0033-IAA	AFE11C3E-IAA	16.0	14.3	10.5	3/8 S	1/4 S	7.7 - 15		2.2	41
M2EL-0040-IAA	AFT12C1E-IAA	16.1	15.3	11.8	3/8 S	1/4 S	7.3 - 15		2.5	47
M2PL-0040-IAA	AFT12C1E-IAA	19.9	11.1	10.5	3/8 S	1/4 S	7.3 - 15		2.5	47
FTEL-A050-IAA, IAV	RF18C2E-IA*	16.0	15.0	12.7	1/2 S	1/4 S	17 - 25		3.6	76
M4EL-0039-IAA	AFE13C3E-IAA	16.0	15.2	11.8	3/8 S	1/4 S	8.9 - 15		2.5	47
M4PL-0039-IAA	AFE13C3E-IAA	19.9	11.0	10.4	3/8 S	1/4 S	8.9 - 15		2.5	47
M4EL-0050-IAA	AFT18C1E-IAA	16.0	15.0	11.8	1/2 S	1/4 S	10.8 - 15		2.9	55
M4PL-0050-IAA	AFT18C1E-IAA	19.9	11.1	10.5	1/2 S	1/4 S	10.8 - 15		2.9	55
M4EF-0080-CFA	RST64C1E-CFA	24.0	17.1	13.8	5/8 S	3/8 S	20.3 - 30		8.2	85

S = Sweat RS = Rotalock Sweat

BOM	Suction Valve*	Liquid Connections		BX Conduit	Power Cord	Fan Guard	UR/UL
		Base Valve	Receiver w/Valve				
020	•		•	•		•	UL
111	•	•			•		UR
208	•	•		•		•	UR*
908					•	•	UR
918			•		•	•	UR
212	•		•	•		•	UR*

\* These recognized models are identical to the UL listed models less pressure control. Need for the control is to be evaluated by the end use application. UL/UR are registered trademarks of Underwriters Laboratories, Inc.



EmersonClimate.com