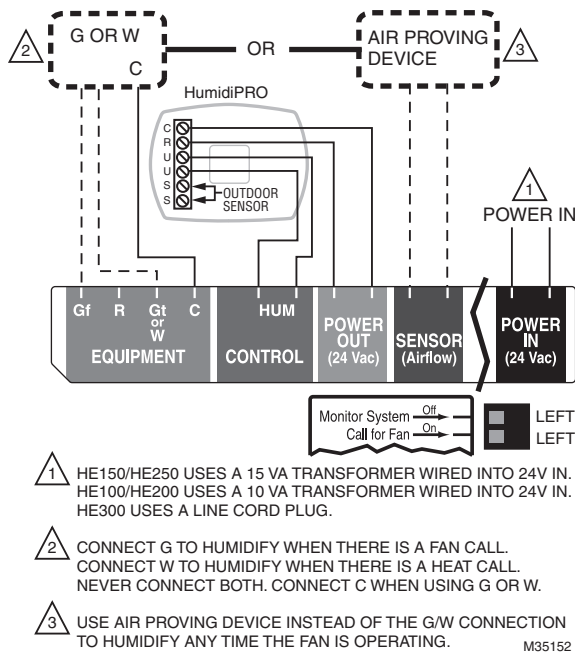


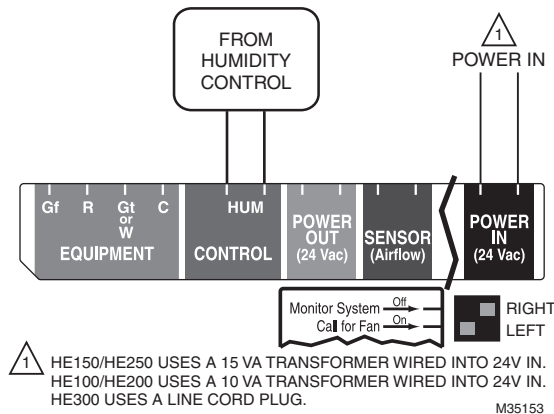
# Wiring Configuration

**INSTALLATION ADDENDUM**

## ADVANCED MODELS (HE150/HE250/HE300)



**Fig. 1. Wiring HumidiPRO (H6062) to humidify only with a call for Heat or Fan.**



**Fig. 2. Wiring TrueIAQ, VisionPRO IAQ, or Prestige, using the intelligent control to program humidity calls with heat, cool, or on demand.**



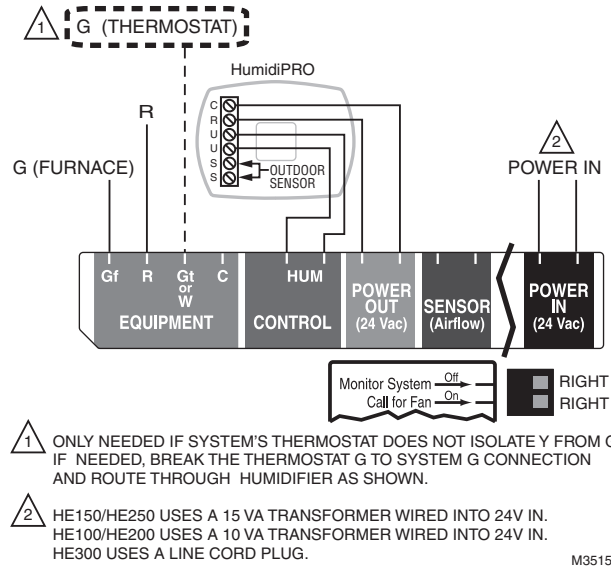


Fig. 3. Wiring to force the HVAC system fan on whenever humidity is needed (on demand).

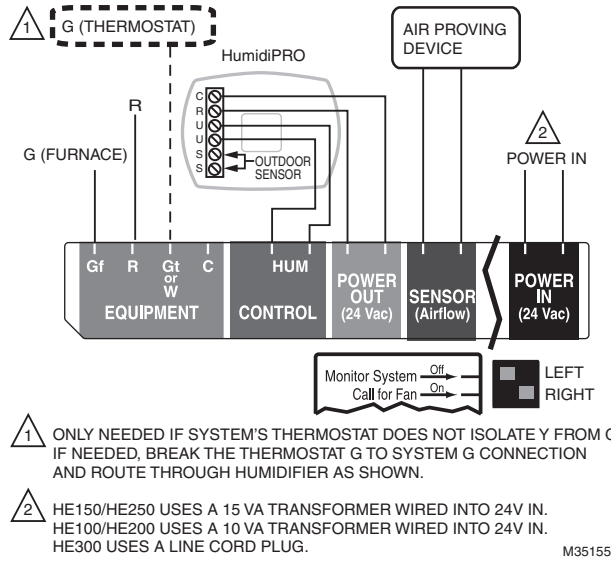


Fig. 4. Wiring to force fan on and prove airflow in the duct.

# BASIC MODELS (HE100/HE200)

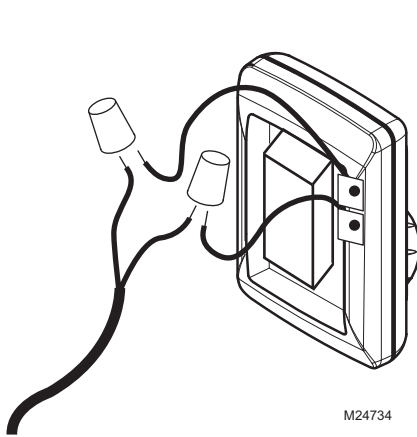


Fig. 5. Wiring connections on the H8908 humidistat.

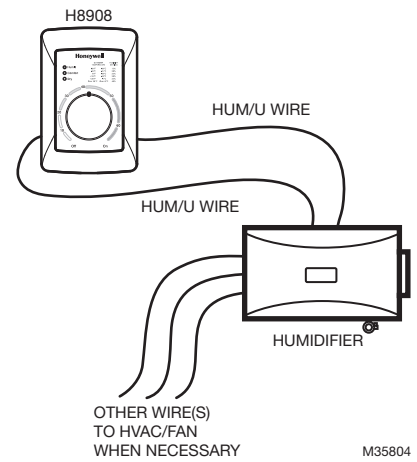


Fig. 6. Wiring H8908 humidistat.

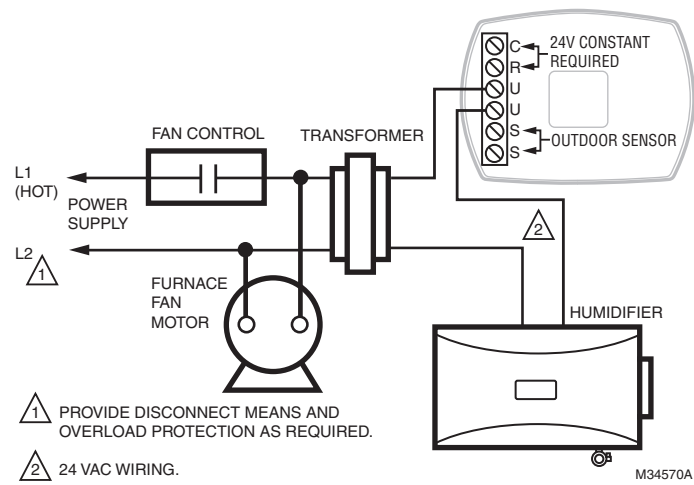


Fig. 7. Wiring HumidiPRO with fan interlock.

WIRING CONFIGURATION

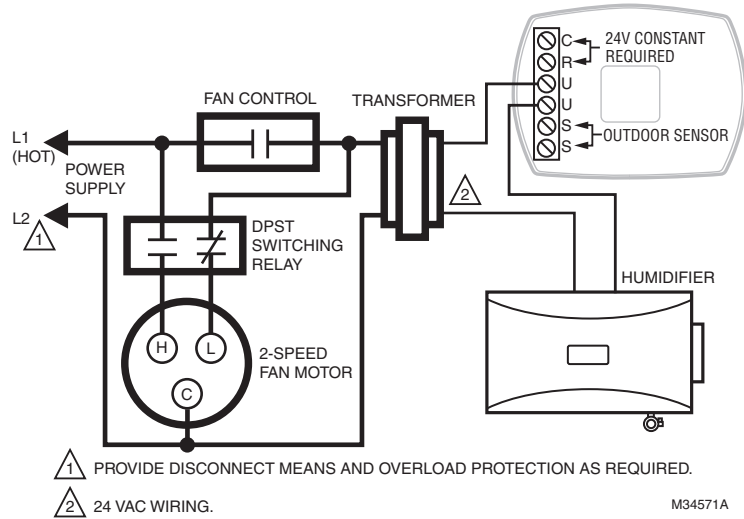


Fig. 8. Wiring HumidiPRO with 2-speed fan motor.

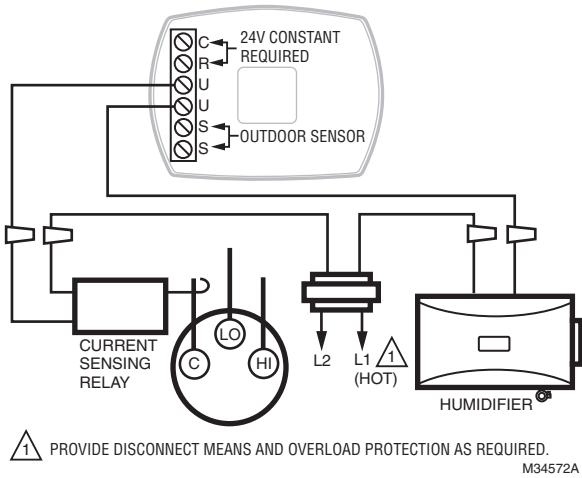


Fig. 9. Wiring HumidiPRO with current sensing relay.

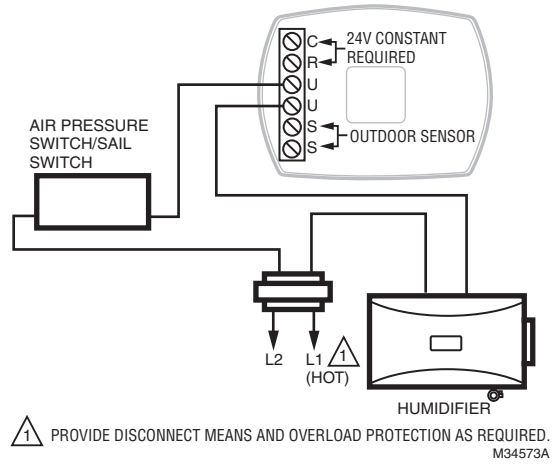


Fig. 10. Wiring HumidiPRO with air proving device.

Automation and Control Solutions

Honeywell International Inc.  
 1985 Douglas Drive North  
 Golden Valley, MN 55422  
 customer.honeywell.com

© U.S. Registered Trademark  
 © 2016 Honeywell International Inc.  
 69-2576-05 M.S. Rev. 01-16  
 Printed in United States

**Honeywell**