

RA 2000 1PS
Thermostatic Radiator Valve
For Use on One-Pipe Low-Pressure
Steam Systems



Typical
Installation

Dial / Operator / Sensor + Valve

FREE STANDING RADIATORS

The free-standing one-pipe low-pressure steam radiator is positioned where air continually passes freely over the operator

	<p>Use standard or tamper resistant model with combined dial/operator/sensor. Always install the operator horizontally</p>	<p>Use air vent PLUS 1/8" one-pipe steam valve</p>
--	--	---

FREE STANDING RADIATORS

The free-standing one-pipe low-pressure steam radiator is accessible, but air cannot continually pass freely over the operator

	<p>Use dial / operator with remote sensor. The sensor and capillary tube may be extended up to 6' and can be easily wall mounted.</p>	<p>Use air vent PLUS 1/8" one-pipe steam valve</p>
--	---	---

CONVECTORS

The one-pipe low-pressure steam convector is inaccessible; room air cannot continually pass freely over the valve

	<p>Use operator with combined remote dial / sensor. The dial/sensor and capillary tube may be extended up to 6' and are wall mounted.</p>	<p>Use air vent PLUS Two 45° elbows PLUS 1/8" one-pipe steam valve</p>
--	---	--

ENCLOSED RADIATORS

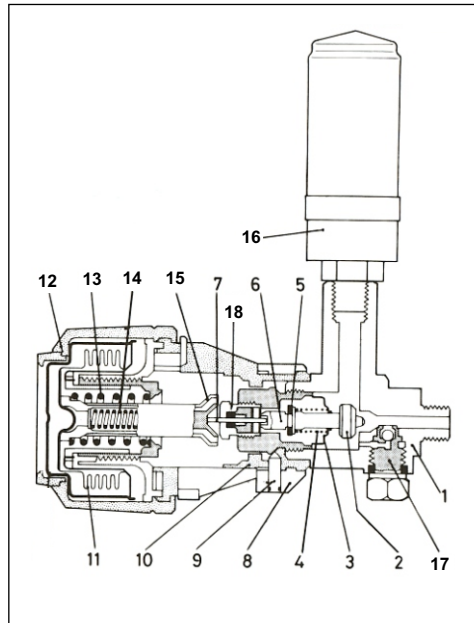
The cabinet enclosed radiator configuration requires that the dial and sensor be mounted separately, away from the valve

	<p>Use operator with separate remote dial and remote sensor. Place the remote sensor beneath the element or on a draft-free wall. The remote dial mounts on the enclosure or wall.</p>	<p>Use air vent PLUS 1/8" one-pipe steam valve</p>
--	--	---

RA 2000 1PS
Thermostatic Radiator Valve
For Use on One-Pipe Low-Pressure
Steam Systems



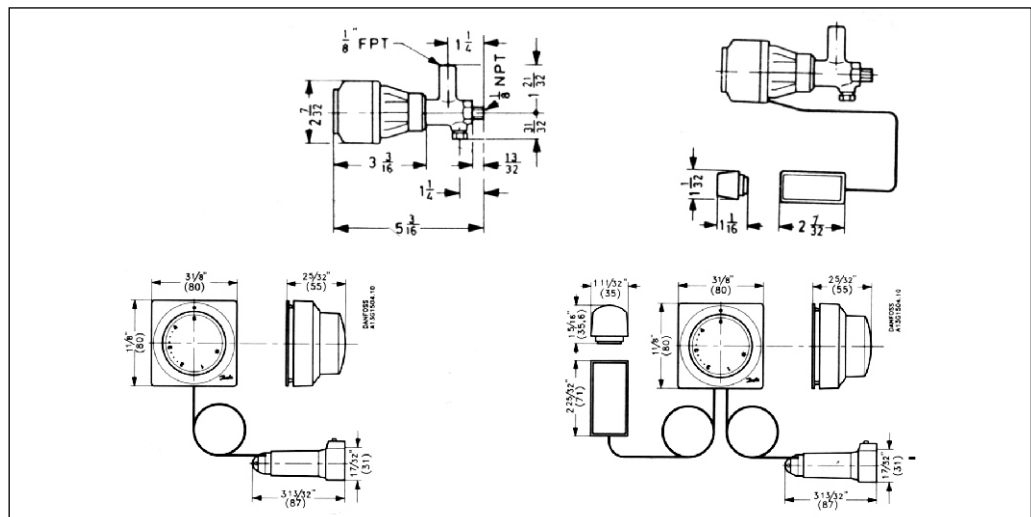
Design & Function



Part	Material
1. Valve	Nickel plated brass
2. Valve Disc	EPDM
3. Spindle guide	Phosphor bronze
4. Spring	Stainless steel
5. Back seat washer	EPDM
6. Valve spindle	Brass
7. Pressure pin	Stainless steel
8. Clamping band	Al. alloy
9. Allenscrew	Steel
10. Socket	Zytel Nylon
11. Bellows	Phosphor bronze
12. Handle	ABS
13. Adjustment spring	Steel
14. Safety spring	Steel
15. Pressure spindle	Polyamide No. 6
16. Air vent	-
17. Retainer	Brass
18. Packing gland Capillary Tube	- Steel

- Danfoss' RA 2000 1PS one-pipe steam thermostatic radiator valve provides accurate temperature control and quiet operation.
- The movement of air across the thermostatic operator effects the modulation control in regulating the venting of air from the radiator or convector.
- Based on the set temperature on the operator, the 1PS regulates the amount of steam allowed into the emitter by controlling the amount of air allowed to vent out.
- The venting action occurs during each system (boiler) on-cycle only when heat is required. Air will re-enter the system during the boiler off-cycle via a patented "across the seat" vacuum breaker. This eliminates condensate buildup and allows natural system aspiration to take place.
- The RA 2000 1PS assembly is specifically designed for low pressure steam systems. The system pressure should not be constant preventing air to get back into the system.
- Thermostatic radiator valve assembly- valve, thermostatic operator and air vent- can be used for free standing radiators, convectors, and enclosed radiators. 1PS is not recommended for copper fin tube radiators.

Dimensions



RA 2000 1PS
Thermostatic Radiator Valve
For Use on One-Pipe Low-Pressure
Steam Systems



Technical Data

Type	Maximum Temperature	Maximum Pressure
RA 2000 1PS	250°F	15psig

RA 2000 Operators

Temp. Range:
45°F-86°F

Max. Sensor
Temp.: 140°F

Symbol	Code No.	Description	Sensor	Capillary
	013G8250	Valve mounted dial & sensor	Built-in	-
	013G8252	Valve mounted dial with remote sensor	Remote	6'
	013G8240	Valve mounted dial and sensor, tamper-resistant	Built-in	-
	013G2922	Valve mounted dial with remote sensor, tamper-resistant	Remote	6'
	013G8562	Combined remote mounted dial & sensor	-	6'
	013G8565	Combined remote mounted dial & sensor	-	16'
	013G8568	Combined remote mounted dial & sensor	-	26'
	013G8564	Separate remote mounted dial and sensor	Remote	6' + 6'

Parts & Accessories For RA 2000 Operators:

013G8250
013G8252
013G8240
013G2922

Code No.	Description
013G1236	Screwdriver tool set
013G1215	Limitation pins for RA 8250/52 (30 pcs)
013G1237	Limitation pins for tamper resistant operators RA 8240 / 2922 (30 pcs)
013G5245	Anti-theft protection clips for RA 8250/52 (20 pcs)
013G1232	Locking screw plugs for tamper resistant operators RA 8240 / 2922 (50 pcs).
013G1672	Cover plate for scale window of tamper resistant operators (20 pcs)

013G8562
013G8565
013G8568
013G8564

Position No.	Description	Code No.
1	Socket Body for RA 2000	013G5191
2	Bellows Holder (set of 2 pcs)	013G5503

RA2000 1PS Valve

Design	Code no.	Valve Size	Pattern	Connections Inlet x Outlet
	013G0140	1/8"	1PS	MPT x FTP

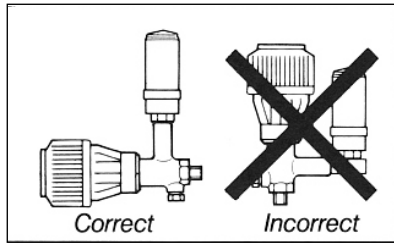
Parts & Accessories For RA2000 1PS Valve

Code No.	Description
013L8011	1-pipe steam air vent
013L8300	Brass 45° street elbow for convector
013G0290	Packing gland for valves

RA 2000 1PS
Thermostatic Radiator Valve
For Use on One-Pipe Low-Pressure
Steam Systems



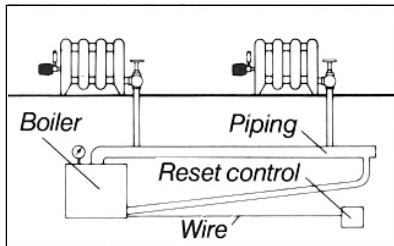
How To Avoid Problems



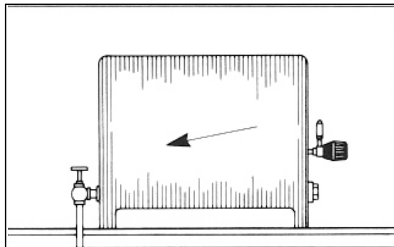
The operator with valve-mounted dial and sensor must be mounted horizontally.

IMPORTANT

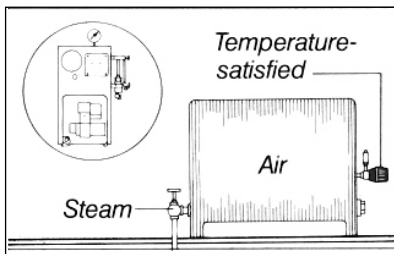
In one-pipe steam systems sufficient pitch is required to permit condensate return. Condensate should not be trapped in the valve or vent. The vent (when not supplied) should be checked to assure it is properly working.



Boiler/steam supply must not run at constant pressure. This prevents the ability for air to enter back into the system.

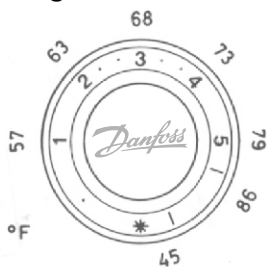


Make sure that free-standing radiators or cast iron convectors are properly pitched and that hand valves are FULLY open.



To aid in preventing overheating of rooms that are temperature satisfied, boiler steam pressure must be kept low, recommended normally at or below 2psig. Otherwise air will be compressed in the radiator, allowing steam to enter when not required.

Setting



The user can easily set room temperature by turning the dial clockwise or counterclockwise. The diagram to the right shows the appropriate relationship between dial scale numbers and room temperature.

At its lowest setting, the RA 2000-1PS provides frost protection and maintains room temperature at approximately 45Deg.F. At its highest setting, the RA 2000-1PS maintains room temperature at approximately 85Deg.F.

The temperature on all RA 2000-1PS models may be limited or locked.

Danfoss can accept no responsibility for possible errors in printed materials and reserves the right to alter its products without notice. All trademarks in this material are property of the respective companies. Danfoss and Danfoss logotype are trademarks of Danfoss A/S. All rights reserved.



Danfoss Inc.
 6711 Mississauga Road, Suite 410
 Mississauga, ON, L5N 2W3
 Tel.: 905-285-2050, Fax: 905-285-2055
 www.na.heating.danfoss.com

Danfoss Inc.
 7941 Corporate Drive
 Baltimore, MD 21236 USA
 Tel.: 443 512 0266, Fax: 443 512 0270
 www.na.heating.danfoss.com