

Table of Contents

	Page
Index	
Digital Multimeters and Current Probes	1 – 3
Temperature/ Humidity Testers & Thermometers	4– 8
Temperature Alarms & Controls	9 – 11
Vacuum & Pressure Gauges	12 – 13
Specialty Instruments	14 – 15
Data Loggers	16 – 20
Chart Recorders	21 – 28
Tools & Accessory Testers	29 - 30

See our Full Line Catalog (Edition 18) for our complete product offering.



PRODUCT CATALOG
Edition 20 Volume 1

Published by
Sealed Unit Parts Co., Inc.
© 2003 Printed in U.S.A.

*No part of this publication shall be reproduced
in whole or part by anyone without permission of:*

SEALED UNIT PARTS CO., INC.

PO Box 21, 2230 Landmark Place
Allenwood, New Jersey 08720 USA
Phone (732) 223-6644 Fax (732) 223-1617
www.supco.com

Index

Model No.	Page
10475	12
10740	12
13495	10
14265	10
12261 - 14265	20
24H3.5BAR THRU 24H35BAR	23
24H50PSI THRU 24H500PSI	23
31D50PSI THRU 31D500PSI	23
31H3.5BAR THRU 31H35BAR	23
401 - 401JF220	11
6H3.5BAR THRU 6H35BAR	23
6H50PSI THRU 6H500PSI	23
7D50PSI THRU 7D500PSI	23
7H3.5BAR THRU 7H35BAR	23
BJ10	30
CABLE10T	23, 24
CABLE6 THRU CABLE25	23, 27
CC6	27
CO1000	14, 15
CP50	2, 3
CPA20	2
CPO70	2, 3
CR1000-1 THRU CR1000-24	23
CR15 THRU CR100	23, 24
CR4	26-28
CR4CABLE	27
CR87-1 THRU CR87-60	23
CR87B - CR87B220C	21, 24
CR87E - CR87E220	22, 25
CR87HT - CR87HT22C	21, 24
CR87P - CR87PB220	22, 24
CR87PA	23, 24
CR87V - CR87V220	22, 25
CRPEN THRU CRPENR	23-24, 27
CRPP2-1 THRU CRPP2-24	28
CRT	27
CRT THRU CRT220UK	23, 24
CRT220	27
C RTP2-1 THRU CRTP2-72	28
CRTT2-2 THRU CRTT2-23	28
CT1	30
CTC3	15
CTP1	30
DAM1	14, 15
DDT2	4, 6
DHS55	15
DLTP6	20
DM10/DM10T	1, 3
DM20	1, 3
DM25	1, 3
DM40	1, 3
DPG500	13
DPGT	12, 13

Model No.	Page
DPGT THRU DPGT220US	23, 24
DR5	25
DSP990	5, 6
DT12	4, 6
DT22	4, 6
E20120F12 THRU E545C31	28
ELD	30
EVENT-6H THRU EVENT-31D	23
FBP100	31
FCO810 THRU FC2224	30
FCR6	30
FPT10 THRU FPT15	30
FUSE10	2
FUSE2	2
FUSEA	2
FWB1	31
HK7	29
HTHL10	20
HTP5 THRU HTP5100	23, 24
HVT2	29
IM1 THRU IMK3	30
JS1	29
KEL	23, 24
KES	23, 24
KEV	23, 24
KPP	26-28
KTE	26-28
KTH	26-28
KTP	26-28
KTT	26-28
L420	16 - 20
LCV	16 - 20
LIT8 thru LIT8LT	7
LITH9B	20
LLS	16, 20
LPT	16 - 20
LPT260 - LPT600	7
LT2	16 - 20
LTC	16 - 20
LTH	16 - 20
LTT	16 - 20
M500	14, 15
M501	14, 15
MCASE	14
MFD10	14, 15
MFDGASE	14
MFDGUSE	14
NEMA	23, 24
P85	29
P89	29
PC6	27
PT100	4, 6
RA25	10

Model No.	Page
RCB1	31
RW516 THRU RWA10	29
S6N1	29
SCCP, SCDM	2
SD45C7 - SR120F7	22
SL200C	20
SL4	26-28
SLCASE	27
SO45C7 THRU S20120F24	23
SR6N1	29
ST01 - ST10	8
SW25 - SW100	10, 20
TA2 - TA2220C	9, 10
TA2PROBE	10
TA3 - TA3WM	10, 11
TA3P	10
TA4 - TA4T	9, 10
TA4P	10
TA6 - TA6C220	9, 11
TA6PROBE	10
TA7 - TA7C	9, 11
TA7PROBE	10
TAL2	10
TAP4 - TAP4C220	11
TC1	30
TC2	30
TCW25 THRU TCW100	10, 23, 24
THC200	5, 6
THP1	5, 6
THP2	5, 6
THP5	23
TLA	2
TP10K	2
TP15	23, 24, 27
TP6	27
TPA1	2
TPFDA	4, 6, 20
TPFG	4, 6
TPM110 - TPM220C	5, 6
TPOC	4, 6
TPP	4, 6
TPS	4, 6
TTP5	23
UFC1	30
USBS	10, 20
UW1	29
V20120F12 THRU V3010C31	28
VG60 THRU VG66	12, 13
VGC	12
WG1	29
WIN100	29

Digital Multimeters

SUPCO's full line of Digital Multimeters (DMM's) provide electrical measurement needs for all of your applications.

- Thermocouple Voltages in Furnaces
- AC/DC Line and Control Voltages
- Flame Safeguard Current (DM25 0.01 resolution)
- Frequency (Hz) in systems and panels (DM40)
- Continuity Checks
- Thermostat Heat Anticipator Current
- Heating Element Resistance
- Run and Start Capacitor verification
- Motor Winding Resistance

DM20 Digital Multimeter

The DM20 Digital Multimeter (DMM) provides general electrical measurements for most applications. Its sturdy design and protective rubber boot provide reliable measurements to meet your needs.

Features/Benefits

- 750 Volts AC
- 1000 Volts DC
- 20 MegaOhms Resistance
- Continuity
- 10 Amps AC
- 10 Amps DC
- Large Display
- Data Hold
- 3 Year Warranty

New!



DM25 Digital Multimeter with Capacitance

The DM25 Digital Multimeter (DMM) provides electrical measurements for your HVAC applications, including Capacitance and 0.01 DC μ Amps resolution for your flame safeguard measurements. Its sturdy design and protective rubber boot provide reliable measurements to meet your needs.

Features/Benefits

- 750 Volts AC
- 1000 Volts DC
- 40 MegaOhms Resistance
- Continuity
- 10 Amps AC
- 10 Amps DC
- 20,000 μ F Capacitance
- .01 μ mA DC Resolution
- Data Hold
- 3 Year Warranty

New!



DM40 True rms Digital Multimeter

The DM40 True rms Digital Multimeter (DMM) provides the most accurate electrical measurements for your HVAC applications. Its sturdy design and protective rubber boot provide reliable True rms measurements to meet your needs.

Features/Benefits

- AC/DC Volts
- AC/DC Amps
- Resistance
- Continuity
- Capacitance
- Triple Readout Display
- 4000 Count Display
- Backlight for Display
- Sleep Mode
- Min/Max Record
- Relative Mode
- 3 Year Warranty

New!



DM10/DM10T Economy Digital Multimeters with Temperature (DM10T)

The DM10 and DM10T Digital Multimeters provide an economical solution to your everyday electrical and temperature (DM10T) measurement needs.

Features/Benefits

- 1000 Volts DC
- Continuity
- 2M Ω Resistance
- 10 Amps DC
- 750 Volts AC
- Temperature (DM10T)

New!



New!

CP50 Digital Current Probe



The CP50 Digital Current Probe provides current measurements for most applications. It also measures other general electrical parameters.

Applications

- HVAC Equipment consumption
- Branch circuit current
- AC Line and Control Voltages
- Continuity Checks

Features/Benefits

- 400 Amps AC
- 4 K-Ohms Resistance
- 600 Volts AC
- 4 Volts DC
- Peak Hold
- Data Hold
- 1 1/8" Jaw Capacity
- Continuity
- 3 Year Warranty

New!

CP070 Open Jaw Multi Probe



Measures and displays current and voltage simultaneously. Quick and easy current measurement with open jaw design.

Features/Benefits

- Simultaneously measures up to 200 Amps AC Current and one of the following:
 - 600V max AC or DC Voltage
 - 40 MegaOhm max Resistance
 - 200uF Capacitance
 - up to 1 kHz Frequency
- Two LCD displays
- Open Jaw Current Measurement
- 3 year Warranty

New!

Optional Accessories



New!



New!



CPA20 AC Current Probe Adapter

The CPA20 Current Probe adapter is designed to measure AC current. It can be used with most digital multimeters having a 20mA and 200mA or 40mA and 400mA AC range.

Features/Benefits

- Two ranges: 40A and 400 A
- 1 1/8" Jaw capacity
- 4 foot cable length

TPA1 Temperature Adapter

The TPA1 Temperature Adapter can be used with digital multimeters having 200mV or 2V DC ranges and analog multimeters having DCmV ranges up to 300mV DC.

Features/Benefits

- Measures up to 500°F
- Uses K-type thermocouple

TLA Test Leads

- 1000V AC or DC max
- 10 Amps max

SCDM/SCCP Soft Deluxe Case

Features/Benefits

- Rugged Cordura Case
- Zippered case
- Sturdy belt loop
- Identification window

Digital Multimeters and Current Probe Accessories

	DM10T	DM20	DM25	DM40	CP50	CP070
Standard Accessories (Included)						
TLA	Test Leads w/ Alligator Clips	*	*	*	*	
TP10K	Temperature Probe					
FUSE2	2A, 600 V Fuse	*	*			
FUSE10	10A, 600 V Fuse	*	*	*		
9 V Battery		*	*	*	*	
FUSEA	0.5A, 600 V Fuse		*	*		
Optional Accessories						
TPA1	Temperature Adapter	*	*	*	*	
CPA20	Current Probe Adapter	*	*			
SCDM	Soft Carrying Case for DMM's	*	*	*		*
SCCP	Soft Case for Current Probes	*			*	

Digital Multimeters and Current Probe Specifications

	DM10/ DM10T	DM20	DM25	DM40	CP50	CP070
Volts AC	750	750	750	650	600	600
Volts AC Best Resolution	1 V	0.1 mV	0.1 mV	0.1 mV	1.0 mV	1 mV
Volts DC	1000	1000	1000	1000	4	600
Volts DC Best Resolution	0.1 mV	0.1 mV	0.1 mV	0.1 mV	1.0 mV	0.1 mV
Amps AC		10	10	10	400	200A
Amps AC Best Resolution		0.1 mA	0.1 mA	0.1 mA	0.01A	100mA
Amps DC	10	10	10	10		
Amps DC Best Resolution	0.1 mA	0.1 mA	0.01 mA	0.1 mA		
Frequency (Hz)						9.999MHz
Frequency Best Resolution						0.001Hz
Base Accuracy (DC Volts)	± 0.5% ± 2 dgts	± 0.5% ± 2 dgts	± 0.5% ± 1 dgt	± 0.3% ± 2 dgts	± 1.5% ± 4 dgts (AC Amps)	± 1.2% ± 2 dgts ± 3.0% ± 3 dgts (AC Amps)
Resistance max. (Ohms)	2M	20M	40M	40M	4 K	40M
Continuity	Yes	Yes	Yes	Yes	Yes	Yes
Capacitance			20,000mF	10,000mF		200µF
Capacitance Best Resolution			0.1 mF	0.01 mF		1pF
Temperature	-4 °F to 2498 °F (DM10T) (-20 °C to 1370 °C) (DM10T)					
Temperature Accuracy	±3 ± 2 digits					
Display (Count)	2000	2000	4000	4,000 plus bargraph	4,000	
Data Hold		Yes	Yes		Yes	Yes
Peak Hold					Yes	
Sleep Mode				Yes		
Min/Max Record				Yes		
Relative Mode				Yes		
Operating Temp.	32° F to 74° F (0°C to 23°C)	32°F to 104°F (0°C to 40°C)	32°F to 104°F (0°C to 40°C)	32°F to 114°F (0°C to 40°C)	32°F to 122°F (0°C to 50°C)	14°F to 122°F (-10°C to 50°C)
Storage Temp.		14°F to 122°F (-10°C to 50°C)	14°F to 122°F (-10°C to 50°C)	-4°F to 140°F (-20°C to 60°C)	-4°F to 140°F (-10°C to 60°C)	-30°C to 60°C
Relative Humidity	0% to 75% RH	0% to 80% RH	0% to 80% RH	0% to 80% RH	0% to 80% RH	0% to 90% RH
Fuse Protection	mA: 0.2A/250V	mA: 2A/600VAC A: 10mP/600VAC	mA: 2A/600VAC A: 10mP/600VAC	mA: 0.5mP/600VAC A: 10mP/600VAC		
Power	9 V Battery (included)	9 V Battery (included)	9 V Battery (included)	9 V Battery (included)	9 V Battery (included)	2 AA Batteries (included)
Battery Life (Typical)		200 hours	200 hours	100 hours	200 Hours	
Size (HxLxW)		1.3"x3.4"x7.4" (33mm x 86mm x 187mm)	1.3"x3.4"x7.4" (33mm x 86mm x 187mm)	1.3"x3.4"x7.4" (33mm x 86mm x 187mm)	7.13"x2.63"x1.25"	
Weight		23.3 oz (660g)	23.3 oz (660g)	23.3 oz (660g)	19 oz.	
Warranty		3 Year	3 Year	3 Year	3 Year	

The New SUPCO DM25 digital multimeter being used to troubleshoot an electric furnace.



Digital Thermometers

Applications

- Superheat Measurements (T1-T2)(DT22)
- Oven Temperature measurements
- Ambient Temperature measurements
- Surface Temperature measurements
- Food Service
- Measure HVAC and Refrigeration system Temperatures

New!



DT12 Digital Thermometer

The full ranging DT12 Digital Thermometer comes complete with a K-type thermocouple oven clip probe and is housed in a sturdy rubber boot for accurate and reliable temperature measurements.

Features/Benefits

- K-Type Thermocouple Probe with Oven Clip Included
- Range -112°F to 1832°F (-80°C to 1000°C)
- Protective Rubber Boot Included
- Low Battery Indicator
- 3 Year Warranty

New!



DT22 Dual Digital Thermometer

The Dual Input DT22 Digital Thermometer comes complete with two (2) K-type thermocouples. Providing Temperature Differential Measurement (T1-T2), it is ideal for superheat applications.

Features/Benefits

- Two (2) K-Type Thermocouple Probes Included
- Range -328°F to 2462°F (-200°C to 1350°C)
- Temperature Differential Measurement (T1-T2)
- K-Type and J-Type Thermocouple Selectable
- Min/Max Record
- Data Hold
- Protective Rubber Boot Included
- Auto Shut Off
- Low Battery Indicator
- 3 Year Warranty



DDT2 Digital Differential Thermometer

With its Dual Display, the DDT2 provides instant measurements for two Temperature points (T1,T2) and their difference (T1-T2). Optional PC Software (DDT2S) allows for analysis of trend data.

Features/Benefits

- Dual K-Type Thermocouple Inputs
- Temperature Differential Measurement (T1-T2)
- Records Up to 8 Min/Max/Avg Measurements
- Relative Function provides instant Temperature Difference between successive measurements
- Dual Display
- Auto-Ranging
- Data Hold
- Auto Power Off
- Vinyl Case Included



PT100 Digital Pocket Surface Thermometer

MADE IN THE
USA

Applications

- Speedy recovery - reclaim temperature measurement
- Measures evaporator plate and condensing temperatures
- Air inlet, outlet and surrounding air

Features

- Ultra sensitive air and surface reading probe
- Provides fast response—within seconds
- Temperature "HOLD" switch—keeps readings fixed



TPFDA FDA Approved K-type Thermocouple Probe



TPFG Fiberglass Insulated K-type Thermocouple Probe



TPOC K-type Thermocouple Probe with Oven Clip



TPP K-type Thermocouple Piercing Probe



TPS K-type Thermocouple Surface Probe

Temperature & Humidity Testers

New!



New!



The THP1 and THP2 provide quick measurement of temperature and humidity for a multitude of applications.

THP1 Thermo-Hygrometer Pen

Features/Benefits

- Measures Temperature & Humidity, Simultaneously
- Dual Display
- Temperature in °F or °C
- Auto Power Off (20 min.)
- RESET Switch
- HOLD Switch
- Belt or Pocket Clip
- Battery Included
- Min/Max Memory

THP2 Thermo-Hygrometer Pen

Features/Benefits

- Measures Temperature & Humidity, Simultaneously
- Dual Display
- Temperature in °F or °C
- Pocket Clip
- Battery Included
- Min/Max Memory

THC200 Thermo-Hygrometer w/ Clock

Features/Benefits

- Table top or wall mount
- Measure Temperature and Humidity Simultaneously
- Real Time Clock
- Set High and Low Alarms for Temperature and Humidity
- Temperature Range: -4°F to 122°F (-20°C to 50°C)
- Humidity Range: 25% to 95%
- °F/°C Switchable



DSP990 Digital Psychrometer

The DSP990 is a precision temperature & humidity instrument. It provides measurement of Temperature, Humidity, Wet Bulb and Dew Point

- No Water Necessary
- No Twirling
- No Reading Charts

Applications

- Cellophane
- Laboratory
- Textile
- Photographic
- Snowmaking
- Chemical
- Pharmaceuticals
- Paper
- Printing
- Tobacco

Features/Benefits

- Min/Max
- °F/°C Switch
- Reset Button
- Pocket Sized
- One Year Warranty
- Data Hold
- Auto Power Off
- Low Battery Indicator
- Protective Cover



TPM110 Temperature Indicator

A highly reliable, extremely accurate temperature indicator. Custom designed faceplates with your company name or logo are available with quantity orders.

Applications

- Direct replacement for old style 2 1/4" and 2 1/2" dial gauges
- Commercial Refrigeration/Freezer Panels
- Hospital/Laboratory Control Panels

Features/Benefits

- Large LCD display
- Easy installation
- Thermocouple wire can be extended to 500'
- Can calibrate in the field

MADE IN THE
USA ★

Model No.	Voltage	Model
TPM110	110 VAC	Fahrenheit Model
TPM110C	110 VAC	Celsius Model
TPM220	220 VAC	Fahrenheit Model
TPM220C	220 VAC	Celsius Model
TPM12	12 VAC	Fahrenheit Model
TPM12C	12 VAC	Celsius Model

Temperature & Humidity Testers

Specifications

	DT12	DT22	DDT2	PT100	TPM110	THP1	THP2	DSP990	THC200
# of inputs	1	2	2	1	1	1 Temp./1 Hum.	1 Temp./1 Hum.		1 Temp./1 Hum.
Thermo - couple Type	K	K, J	K		J				
Differential		*	*						
Data Hold		*	*	*		*		*	
Min/ Max		*	*			*		*	*
Dual Display			*			*			Triple Display
Auto-Off	*	*	*			*		*	
Temp. Range	-112°F to 2462°F -80°C to 1000°C	K-Type -112°F to 2462°F -80°C to 1000°C J-Type -328°F to 1832°F -200°C to 1000°C	-328°F to 2498°F -200°C to 1370°C	PT100/PT100C -40°F to 199.9°F -40°C to 93.28°C PT100H/PT100HC -40°F to 250°F -40°C to 120°C	-70°F to 199°F -56.67°C to 93.28°C	14°F to 122°F -10°C to 50°C	-4°F to 122°F -20°C to 50°C	-4°F to 122°F -20°C to 50°C	-4°F to 122°F -20°C to 50°C
Temp. Resolution	0.1°F -112°F to 299°F 1°F (300 +°F)	0.1°F -328°F to 999.9°F 1°F (1000 +°F)	0.1°F -200°F to 200°F 1°F otherwise	0.1°F -40°F to 199.9°F 1.0°F (-40° to 250°F)	1.0°F	0.1°F	0.1°F	1.0°F	1.0°F
Temp. Accuracy	±0.5% Rdg +1.8°F (-58°F to 1832°F)	±0.3% Rdg +1.8°F	±0.5% Rdg +2°F	0.2 Surface 1.0 Air	±1°F	±1.8°F	±2°F	±1.8°F	±1.8°F or 1.0°C
Humidity Range						5% to 95% RH	10% to 90% RH	0 to 100% RH	25% to 95% RH
Humidity Resolution						0.1% RH	1% RH	1% RH	1% RH
Humidity Accuracy						±3% for 10% to 90% RH, otherwise ±5%	±5% for 40% to 80% RH, otherwise ±7%	±3% for 10% to 90% RH, otherwise ±4%	±5% RH
Power	AAA (2) Batteries	9V Alkaline	9V Alkaline	9V Alkaline	120/240V 50/60 Hz	Button cell (1) CR2032	Button cell (1) LR44	AAA (2) Batteries	AA (2) Batteries
Size (HxLxW)	1.8" x 6" x 3"	1.8" x 6" x 3"	7.25" x 2.5" x 1.4"	1.5" x 6.75" x 0.8"	3.38" X 3.38"			6.7" X 1.85" X 0.5"	4.38" X 2.75" X 0.5"
Weight	7.2 oz	7.2 oz	7.4 oz						
Warranty	3 year	3 year	1 year	1 year	1 year	1 year	1 year	1 year	1 year

Temperature Probe Specifications

	TPFDA	TPFG	TPOC with Oven Clip	TPP Piercing	TPS Surface
Thermocouple Type	K-Type	K-Type	K-Type	K-Type	K-Type
Temp. Range:	-40°F to 950°F -40°C to 510°C	-40°F to 950°F -40°C to 510°C	-40°F to 950°F -40°C to 510°C	-58°F to 482°F -50°C to 250°C	-58°F to 1202°F -50°C to 650°C
Subminiature connector	*	*	*	*	*
4' bead tip probe with FDA approved insulation	*				
3.7" heavy duty chisel tip insertion probe with handle and 4' cord			*		
4" heavy duty spring loaded tip surface probe with handle and 4' cord				*	

Laser Infrared Thermometers

Laser Infrared Thermometers offer precise, non-contact measurement in a lightweight, handheld instrument. With one hand operation, they are ideal for a wide variety of applications.

Applications

- Refrigeration Systems
- Heating Systems
- Supply and Return Registers
- Circuit Breaker Panels
- Motors/Bearings
- Transformers
- Ducts
- And More

LPT600/LPT260 Easy Temp Laser Thermometer

- 3:1 optical ratio
- 1 button operation
- Carrying case included



LIT8LT *New!* Low Temperature Laser Infrared Thermometer

- 8:1 optical ratio
- Trigger style
- Backlight
- Low temperature reading to -58°F



LIT8B *New!* Laser Infrared Thermometer

- 8:1 optical ratio
- Trigger style
- Backlight



LIT8 Laser Infrared Thermometer

- 8:1 optical ratio
- Miniature size
- Carrying case included
- Backlight



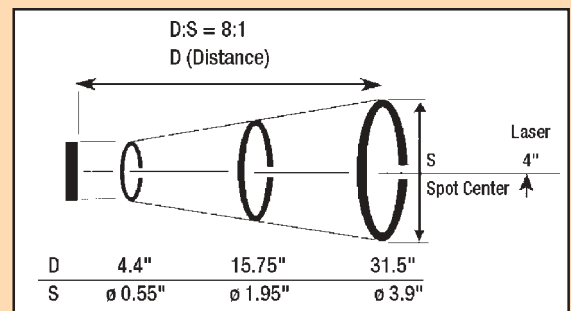
	LPT600	LPT260	LIT8B	LIT8	LIT8LT
Temperature Range	0°F to 600°F (-18°C to 315°C)	-67°F to 260°F (-55°C to 125°C)	-4°F to 518°F (-20°C to 270°C)	-4°F to 788°F (-20°C to 420°C)	-58°F to 932°F (-50°C to 500°C)
Resolution	1°F (1°C)		1°F (1°C)	1°F (1°C)	1°F (1°C)
Accuracy	±2% Accuracy	±0.5% of reading, plus one digit repeatability	±2% of reading or 4°F/2°C	±2% of reading or 4°C	±2% of reading or ±2°F/±2°C
Emissivity	0.95 fixed		0.95 fixed	0.95 fixed	0.95 fixed
Distance Factor	D:S = 3:1 with a 1" min. target		D:S = Approximately 8:1	D:S = Approximately 8:1	D:S = Approximately 8:1
Sample Rate				1 second	
Display	LCD		LCD with backlight	LCD with backlight	LCD with backlight
Automatic shut off	*		*	*	*
Power Supply	9V Battery (Included)		9V Battery (Included)	9V Battery (Included)	9V Battery (Included)
Weight			5.8 ounces (180g)	6.4 ounces (200g)	5.9 ounces (185g)
Dimensions			6.4" X 3.2" X 2.4" (159mm X 79mm X 57mm)	6.7" X 1.7" X 1.6"	6.4" X 3.2" X 2.4" (159mm X 79mm X 57.2mm)

Application Note:

What is Distance to Spot Ratio (D:S)?

This is the size of the measurement field that a non-contact infrared thermometer uses to provide a temperature reading. The infrared thermometer averages the temperature

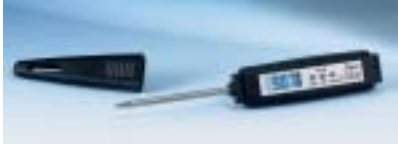
of that field to calculate the temperature reading. For example, a D:S ratio of 8:1 means that the measurement field measures approximately 1 foot in diameter when the target is approximately 8 feet away.



Pocket Digital Thermometers

Applications

- Refrigerators/Freezers
- Food Processing/Prep.
- Heating/Ventilating



ST09

- -40°F to 392°F (-40°C to 200°C)
- Accuracy: +/-2°F between -14°F to 212°F (+/-1°C between -10°C to 100°C)
- Min/Max
- F°/C° Switch
- Protective Sheath
- ON/OFF Switch
- Data Hold
- Pocket Clip
- Battery Included (STBAT)
- Drop Resistant
- Waterproof



ST10

- -50°F to 305°F (-45°C to 150°C)
- Accuracy: +/-2°F or +/-1°C
- F°/C° Switch
- Large LCD
- Display updates every second
- Battery included. Free spare battery (STBAT)
- Pocket clip
- 4 23/32" (12cm) stainless steel stem

Pocket Dial Thermometers



ST01 ST02

- 1" dial
- 5" stem
- °F only
- Recalibration adjustment



ST07 ST08

- 1 3/4" dial
- 5" stem
- °F and °C
- Recalibration adjustment

Part No.	Dial	Stem	Temperature Range	Application
ST01	1"	5"	-40°F to 160°F	Refrigerators/Freezers
ST02	1"	5"	0°F to 220°F	Air Conditioners
ST07	1 3/4"	5"	0°F to 220°F (-18°C to 105°C)	Air Conditioners
ST08	1 3/4"	5"	-40°F to 160°F (-40°C to 70°C)	Refrigerators/Freezers

Appliance Thermometers



ST03 ST04

- Stainless Steel Construction
- Hangs or stands
- °F and °C
- Unbreakable lens



ST06

- Horizontal design
- Stainless steel wire clips for easy hanging
- °F and °C

Part No.	Temperature Range	Application
ST03	-20°F to 80°F (-30°C to 27°C)	Refrigerators
ST04	100°F to 600°F (38°C to 315°C)	Ovens
ST06	-40° to 80°F (-40° to 27°C)	Refrigerators/Freezers

All of your temperature sensitive areas are protected with the broadest line of temperature alarms: single and dual set point, wireless remote, battery operated and multi-channel. Select the right one for your application.

Applications

- Food Markets, Convenience Stores, Supermarkets
- Restaurants, Florists, Greenhouses
- Laboratories, Pharmaceutical Storage Facilities
- Refrigerated Transport, Cold Storage Facilities
- Computer Rooms



TA2 Single Set Point Temperature Alarm

MADE IN THE
USA

A reliable, inexpensive alarm for refrigerators and freezers. Just flip a switch to activate alarm on a rise or fall in temperature.

Model No.	
TA2	120 VAC Fahrenheit Model
TA2C	120 VAC Celsius Model
TA2-220	220 VAC Fahrenheit Model
TA2-220C	220 VAC Celsius Model



TA6 Dual Set Point Temperature Alarm

MADE IN THE
USA

Alarms on a rise **AND** fall in temperature.

Model No.	
TA6	120 VAC Fahrenheit Model
TA6C	120 VAC Celsius Model
TA6220	220 VAC Fahrenheit Model
TA6C220	220 VAC Celsius Model

Features/Benefits

- Adjustable alarm temperature ranges
- Audible and visual alarm
- Built-in terminals for remote alarm or telephone dialer connection (except TA7)
- Alarm switch for 'No delay' or '1 hour delay'



TA4 Wireless Remote Temperature Alarm

MADE IN THE
USA

No wires to run – The remote transmitter uses existing 120 VAC lines to send the alarm signal to the receiver. Use one receiver for up to 20 different transmitters. Switch activates alarm on a rise or fall in temperature.

Model No.	
TA4	Complete System (includes 1 transmitter and 1 receiver)
TA4R (option)	Receiver
TA4T (option)	Transmitter



TA7 Battery Operated Temperature Alarm

MADE IN THE
USA

For sensitive temperature applications in remote areas, this battery operated unit is inexpensive and easy to install. Alarms on rise in temperature only.

Model No.	
TA7	Fahrenheit Model
TA7C	Celsius Model



TA3 Digital Temperature Alarm



This panel mounted temperature alarm with digital display provides both an audible and visual alarm. Alarms on rise or fall in temperature.

Model No.		
TA3	120 VAC	Fahrenheit Model
TA3C	120 VAC	Celsius Model
TA3-220	220 VAC	Fahrenheit Model
TA3C220	220 VAC	Celsius Model
TA3WM	Wall Mount Bracket, optional	



TAL2 Dual Temperature Alarm Logger



Set high and low alarms for two (2) temperature sensitive applications, and track their temperature trends, simultaneously.

Alarm Functions

- Audible alarm & Relay contacts
- Relay contacts can connect to remote alarm dialer
- Programmable alarm delay
- Alarm event storage (up to 45 events)

Logger Functions

- Programmable interval (1 sec. to 18 hrs.)
- Data rollover
- Store 32,250 (single temp.) or 16,125 (dual temp.) data points
- Battery backup
- Software included
- Minimum System Requirements: 8MB of RAM, 2M of disk space, 800 x 600 resolution, 1 free COM port or a free USB port (optional USB interface is required, p/n USBS)

Temperature Alarm Specifications

	TA2	TAL2	TA4
Alarm Channels	1	2	1
Alarm Adjustment Range	-10°F to 80°F (-25°C to 30°C, Celsius model)	-40°F to 60°F and 0°F to 100°F (-18°C to 38°C and -40°C to 16°C, Celsius model)	-10°F to 80°F (-25°C to 30°C, Celsius model)
Probe	Encapsulated sensor with 6 ft. cord	Encapsulated sensor with 15 ft. cord	Encapsulated sensor with 6 ft. cord
Sensor Type	Thermistor	Thermistor	J-Type Thermocouple
Maximum Probe extension	200 ft.	300 ft.	200 ft.
Temperature Accuracy (Display)			
Maximum Transmit/Receive Range			1500 feet (must use the same electrical lines)
Operating frequency			100KHz
Remote Alarm Connections	Screw type, 120 VAC, 5 Amps (dry contacts)	Normally open (N.O.). Closed on alarm. 48 volts, 100mA maximum	Screw type 120 VAC, 0.1 Amp max., (dry contacts)
Power	120 VAC (220 V optional)	110V or 220V power adapter supplied (p/n 14950)	120 VAC (220 V optional)
Battery Backup		9V alkaline battery (not included)	
Case	Hi-impact thermoplastic		Hi-impact thermoplastic
Mounting	Surface, external holes provided		Surface, external holes provided
Dimensions	3" x 4 7/8" x 1 5/8"	3" x 2.5" x 1.1"	3" x 4 7/8" x 1 5/8"
Weight	13oz	2.5oz	24oz
Warranty	1 year	1 year	1 year

Accessories

	TA2	TAL2	TA4	TA6	TA7	TA3	TAP4	401
SW25	25' Extension Wire	*	*	*	*	*	*	*
SW50	50' Extension Wire	*	*	*	*	*	*	*
SW75	75' Extension Wire	*	*	*	*	*	*	*
SW100	100' Extension Wire	*	*	*	*	*	*	*
TCW25	25' Type J Thermocouple Wire		*			*		*
TCW50	50' Type J Thermocouple Wire		*			*		*
TCW75	75' Type J Thermocouple Wire		*			*		*
TCW100	100' Type J Thermocouple Wire		*			*		*
TA3P	Probe w/ 6' Type J Thermocouple Wire					*		*
TA4P	Probe w/ 6' Type J Thermocouple Wire		*					*
TA2PROBE	Probe w/ 6' extension wire	*						
TA6PROBE	Probe w/ 6' extension wire			*				
TA7PROBE	Probe w/ 4' extension wire				*			
14265	Replacement Sensor		*				*	
RA25	Remote Audible Alarm w/ 25' extension	*	*	*		*	*	
USBS	USB to Serial Interface		*					
13495	Serial Port Cable		*					



TAP4 Four (4) Probe Temperature Alarm

Set alarms for 4 separate temperature applications. Provides a quick alert for a multitude of temperature problems.

Model No.	
TAP4	-40°F to 60°F; 0°F to 100°F, 120V
TAP4-220	-40°F to 60°F; 0°F to 100°F, 220V
TAP4C	-18°C to 38°C; -40°C to 16°C, 120V
TAP4C-220	-18°C to 38°C; -40°C to 16°C, 220V

401 Digital Set Point Temperature Controller

A completely self-contained 120/220 VAC, ON/OFF temperature controller with digital display.



Applications

- Refrigeration temperature control
- Temperature alarm
- Temperature indication
- Furnace temperature control

Features

- LCD display of the set point and sensor temperatures
- Includes 15 ft. of Type J thermocouple wire with a 4 inch long stainless steel sensor
- 10 Amp Relay Contacts
- Rear terminal strip for all connections
- Front Panel LED indicates relay is energized
- Energize relay on rise or fall of temperature

Specifications

Sensor	Thermocouple Type J (included)
Scale	0° to 1200°F or -20°C to 1100°C
Display	LCD
Accuracy	±1%FS
Adjustable differential	1° to 25° Centered around set point
Control mode	ON-OFF
Maximum load current	10 Amp, 250 VAC Resistive SPDT Relay
Power Consumption	2 VAC
Supply voltage	120 VAC or 220 VAC, 50/60Hz.
Operating temperature	32°F to 140°F (0° to 60°C)
Panel mounting	3 5/8" x 1 13/16" Cut-out (92mm x 45mm)

Model No.

401JF	110 VAC Fahrenheit Model
401JC	110 VAC Celsius Model
401JF220	220 VAC Fahrenheit Model
401JC220	220 VAC Celsius Model

TAG	TA7	TA3	TAP4
2	1	1	4
-10°F to 80°F (-25°C to 30°C, Celsius model)	-10°F to 80°F (-25°C to 30°C, Celsius model)	-50°F to 170°F (-30°C to 96°C, for Celsius model)	-40°F to 60°F and 0°F to 100°F (-18°C to 38°C and -40°C to 16°C, Celsius model)
Encapsulated sensor with 6 ft. cord	Encapsulated sensor with 6 ft. cord	Encapsulated sensor with 6 ft. cord	Encapsulated sensor with 15 ft. cord
Thermistor	Thermistor	J-Type Thermocouple	Thermistor
200ft.	100ft. ±2°F at 75°F ambient	2000ft.	300ft.
Screw type, 120 VAC, 5 Amp max., (dry contacts) 120 VAC (220 V optional)	None 9 V alkaline battery (not included)	Screw type 120 VAC, 0.1 Amp max., (dry contacts) 120 VAC (220 V optional) 9V alkaline battery (not included)	Terminal strip screw connection 120VAC, 5 Amps max., (dry contacts) 110V or 220V power adapter supplied 9V alkaline battery (not included)
Hi-impact thermoplastic	Hi-impact thermoplastic	Panel mount	NEMA 3 Type
Surface, external holes are provided	Surface, adhesive pads/keyhole slot	Face panel (1 3/4" x 3 5/8" cut out required)	Surface, keyhole or recessed screws
3" x 4 7/8" x 1 5/8"	5 3/4" x 1 1/2" x 1"	1 11/16" x 3 9/16" x 5 3/16"	6" x 7 1/2" x 3"
13oz	5oz	24oz	1.9 Lbs (0.86kg)
1 year	1 year	1 year	1 year



Application Note:

Many supermarkets have added free standing, portable case displays for seafood, sushi, sandwich preparation, bakery goods and more. These cases are not tied to the central monitoring system. The TAP4 is an ideal instrument for preventing food spoilage in these areas. It's inexpensive, easy to install and monitors up to 4 different temperature sensitive applications.



New!

VGC Vacuum Gauge Coupler

Insures leak free connection to vacuum gauge during measurement



VG64 Digital Vacuum Gauge

Suitable for field or laboratory use, the VG64 delivers high precision at a low price.

Features/Benefits

- Ultra fine resolution: (1 Micron when vacuum \leq 200 Microns)
- Reads vacuum in 7 international units
- Display updates every 1/2 second
- Convenient built in hanger
- Cleaning port provides quick cleaning and drying of sensor

Accessories

Part No.	
10475	120 volt power adapter
10740	Soft Pouch

MADE IN THE
USA ★



VG60 Electronic Vacuum Gauge

10 segment color coded LED readout provides fast response of vacuum measurements.

Features/Benefits

- Pocket size—only 5 1/2" x 1 3/4" x 1 1/2"
- Cleanable sensor
- Single switch operation
- Low battery indication
- Color coded LED display
- Built-in hanger
- Soft case included (MFDCase)

Accessories

Part No.	
DPGT	120 V Power Adapter

MADE IN THE
USA ★

VG61 Electronic Vacuum Gauge

- Enjoy the same features as the VG60 in a durable hard case. Sensor cord extends to 5 feet.

Features/Benefits

- Cleanable sensor
- Single switch operation
- Low battery indication
- Color coded LED display



MADE IN THE
USA ★

VG65 Professional Series Digital Vacuum Gauge

Same great specifications as the VG64 in a rugged service case



MADE IN THE
USA ★

VG66 Professional Series Analog Vacuum Gauge

Features/Benefits

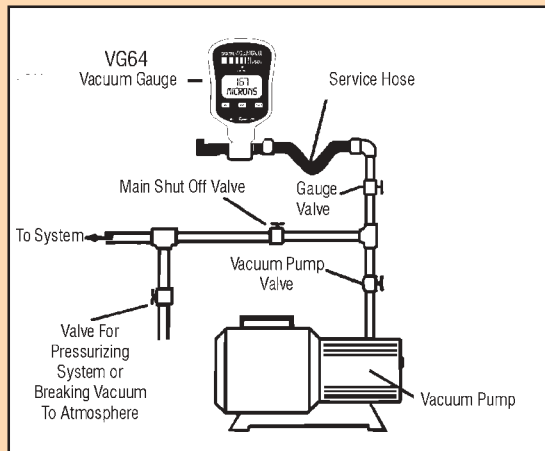
- Vacuum range 50 – 5000 microns
- 5 inch Analog meter
- Cleanable Vacuum Sensor
- 500 psi maximum overpressure
- Low battery indicator
- Expandable sensor cord (up to 6 feet)
- Sensor cord extendable using standard telephone cord
- Rugged Service case



MADE IN THE
USA ★

Vacuum Gauge Specifications

	VG64	VG60	VG61	VG65	VG66
Sensor Type	Thermistor	Thermistor	Thermistor	Thermistor	Thermistor
Connector Type	Standard 1/4 inch male flare fitting.	Standard 1/4 inch male flare fitting.	Standard 1/4 inch male flare fitting.	Standard 1/4 inch male flare fitting.	Standard 1/4 inch male flare fitting.
Vacuum Range	0–12,000 Microns (0–1,600 Pascals)	50–5,000 Microns	50–5,000 Microns	0–12,000 Microns (0–1,600 Pascals)	10–5,000 Microns
Scale	Microns, PSI, InHg, milliBars, Pascals, Torr, milliTorr	Microns - 10 LED segments from atmosphere to 50 Microns	Microns - 10 LED segments from atmosphere to 50 Microns	Microns, PSI, InHg, milliBars, Pascals, Torr, milliTorr	Microns, Torr
Resolution	0-200: 1 Micron 201-500: 5 Microns 501-1,000: 10 Microns 1,001-2,000: 50 Microns 2,001-5,000: 250 Microns 5,001-8,000: 500 Microns 8,001-12,000: 1,000 Microns			0-200: 1 Micron 201-500: 5 Microns 501-1,000: 10 Microns 1,001-2,000: 50 Microns 2,001-5,000: 250 Microns 5,001-8,000: 500 Microns 8,001-12,000: 1,000 Microns	
Operating Temperature Range	35°F to 125°F (2°C to 52°C)			35°F to 125°F (2°C to 52°C)	
Overpressure	500 PSI Max (20 Bar)	500 PSI Max (20 BAR)	500 PSI Max (20 BAR)	500 PSI Max (20 BAR)	500 PSI Max (20 BAR)
Accuracy	±10% (50-1000 Microns)			±10% (50-1000 Microns)	
Power Source	9 V Alkaline Battery (not included)	9 V battery (not included)	9 V battery (not included)	9 V battery (not included)	9 V battery (not included)
Auto Shutoff	Yes	No	No	Yes	N/A
Dimensions	5 1/2" x 3" x 1 1/4"	5 1/2" x 1 3/4" x 1 1/2"		5 1/2" x 3" x 1 1/4"	9 1/4" x 7 1/2" x 2 3/4"
Weight	6.7 oz	6.8 oz		6.7 oz	2 1/4 lb.



Application Note:

CONNECTING THE VG64 TO THE VACUUM SYSTEM

A vacuum gauge should be connected to the vacuum system at the vacuum port. The "Auxiliary Port" is primarily for cleaning and should normally be closed with the supplied cap. It is possible to connect the vacuum gauge in-line, however, it may restrict flow and increase the evacuation time.

CHECKING HVAC SYSTEMS FOR LEAKS

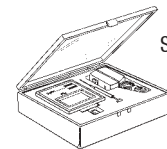
When checking a system for leaks use only copper tubing and a vacuum proof valve. Generally, standard hoses will not hold a vacuum. If using the blank-off valve on the vacuum pump check it for leaks periodically. At the beginning of the test the vacuum gauge reading may increase due to a system equalization. The vacuum reading should hold after a minimum of 5 minutes. If the reading continues to increase it may indicate a leak in the system.

DPG500 Digital Pressure Gauge

The DPG500 Digital Pressure Gauge is an extremely accurate, pressure gauge that operates on a standard 9 Volt battery or 120 VAC. With its universal pressure sensor, it can measure pressure in a liquid, gas, steam and more.

Features/Benefits

- Universal Pressure Sensor (Liquid, Gas, Steam, etc...)
- Range: -14 to 500 PSI
- Large 1/2" high LCD display
- 9 Volt battery operation
- Concealed battery compartment
- Accessible zero adjustment screw
- Power saving "ON-OFF" switch
- Standard 1/8" N.P.T. brass male connection



Storage Case For Gauge and Accessories Included

Specifications

Scale	-14 to 500 PSI
Operating temperature range	32°F to 120°F
Accuracy	Better than 1%
Full Range Scale	Used with steam/gas/water/air/fluids
Resolution	1 PSI
Display	0.5" LCD
Power	9 V battery or 120 VAC with adapter
Pressure port	1/8 NPT male
Size	3 7/32" x 3 1/4" x 1 1/2"

Standard Accessories

1/8" N.P.T. to 1/4" Flare brass adapter fitting
A.C. Power adapter with 5 foot cord (Part No. DPGT)
Calibration screwdriver
Storage case

MADE IN THE USA