

H46D,F Humidity Controllers

INSTALLATION INSTRUCTIONS

APPLICATION

The H46D,F Humidity Controllers are used with portable and central unit humidifiers. The H46 has an spst, snap-acting switch designed for line or low voltage circuits. The H46D has two leadwires for switch box mounting. The H46F has an electric cord with an interrupter plug.

INSTALLATION

When Installing this Product...

1. Read these instructions carefully. Failure to follow them could damage the product or cause a hazardous condition.
2. Check the ratings given in the instructions and on the product to make sure the product is suitable for your application.
3. Installer must be a trained, experienced service technician.
4. After installation is complete, check out product operation as provided in these instructions.

CAUTION

Disconnect power supply before connecting wiring to avoid electrical shock or equipment damage.

Location

Select a location about 5 ft (1.5 m) above the floor in an area with good circulation at average temperature and humidity for the area to be controlled. Avoid locations near hot or cold air ducts and discharged air from the controlled equipment.

Mounting H46D

1. Remove the setting knob.
2. Pull the cover forward from the device to remove.
3. Install a 2 x 3 in. (51 mm x 76 mm) vertical switch box at the selected location.
4. Using the two screws provided, fasten the adapter plate to the switch box as shown in Fig. 1.
5. Pull the wires from the switch box through the opening in the adapter plate and connect to the H46 leadwires with the solderless connectors provided. See Fig. 4 through 6 for a typical hookup.
6. Push the wires back into the switch box.
7. Place the H46 against the adapter plate, making certain the tab at the bottom of the plate fits into the notch on the H46.

8. Fasten the H46 to the adapter plate by tightening the captive screw.
9. Replace the cover and the setting knob.

Mounting H46F

1. At the selected location, insert the two wood screws (provided) into the wall 2 in. (51 mm) vertically apart and protruding 1/16 in. (2 mm) from the wall. See Fig. 2.
2. Position the H46 on the screws and slide it down until the screws are in the slots.
3. Insert the humidifier plug into the end of the interrupter plug. See Fig. 3.
4. Insert the interrupter plug into the electrical outlet.

NOTE: The H46F has a 3-prong plug. When connecting to a 2-prong receptacle, use the converter plug (not included) and connect the pigtail lead to the ground screw.

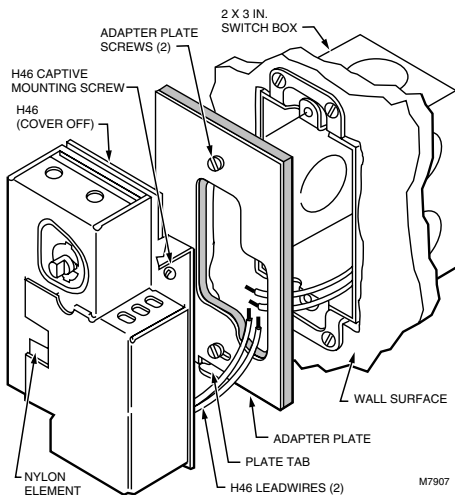


Fig. 1. Mounting H46D on vertical switch box.



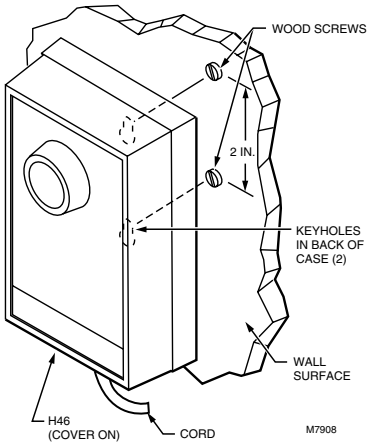


Fig. 2. Mounting H46F with two screws.

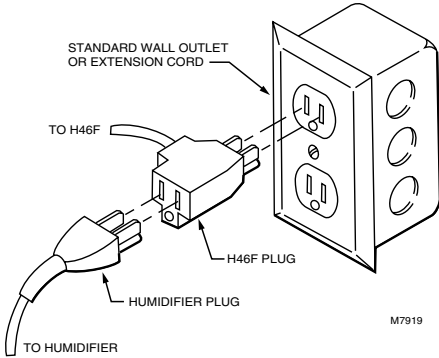


Fig. 3. Connecting H46F interrupter plug.

Wiring

Disconnect power supply before connecting wiring to avoid electrical shock or equipment damage. All wiring must comply with local codes and ordinances. Do not exceed contact and coil ratings when wiring into the system.

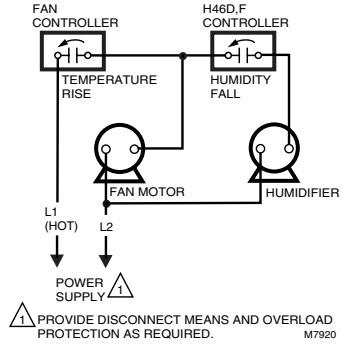


Fig. 4. Typical wiring diagram for H46D,F single-speed fan motor.

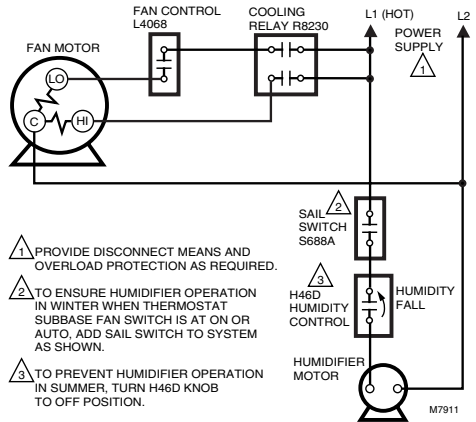


Fig. 5. Typical wiring diagram for H46D in forced air system with 2-speed fan motor.

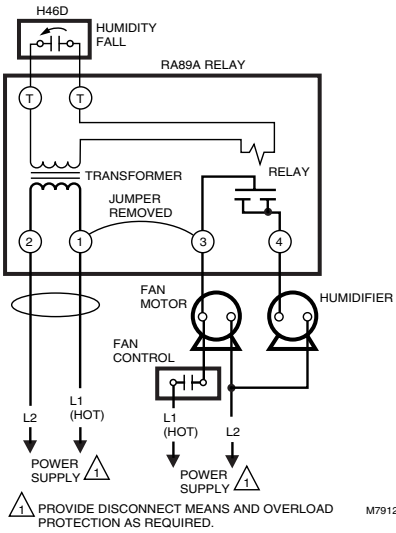


Fig. 6. Typical wiring diagram for H46D with a switching relay.

SETTING AND ADJUSTMENT

The H46 makes contact on a relative humidity fall to the set point to start the humidifier. On an increase in relative humidity to the set point (plus the differential), the switch breaks contact to stop the humidifier. Turn the knob clockwise to the setting stop to place the H46 in the ON position. Turn the knob counterclockwise to the setting stop to place the H46 in the OFF position.

CHECKOUT

After all mounting and wiring is completed, turn on the power supply. Place the system into operation by turning the setting knob toward the high end of the scale until the humidifier motor starts (on central unit humidifier systems, the furnace fan must be running before the humidifier starts). Turn the setting knob slowly toward the low end of the scale until the humidifier motor stops.

Honeywell

Home and Building Control

Honeywell Inc.
1985 Douglas Drive North
Golden Valley, MN 55422

Home and Building Control

Honeywell Limited-Honeywell Limitée
155 Gordon Baker Road
North York, Ontario
M2H 2C9

Helping You Control Your World