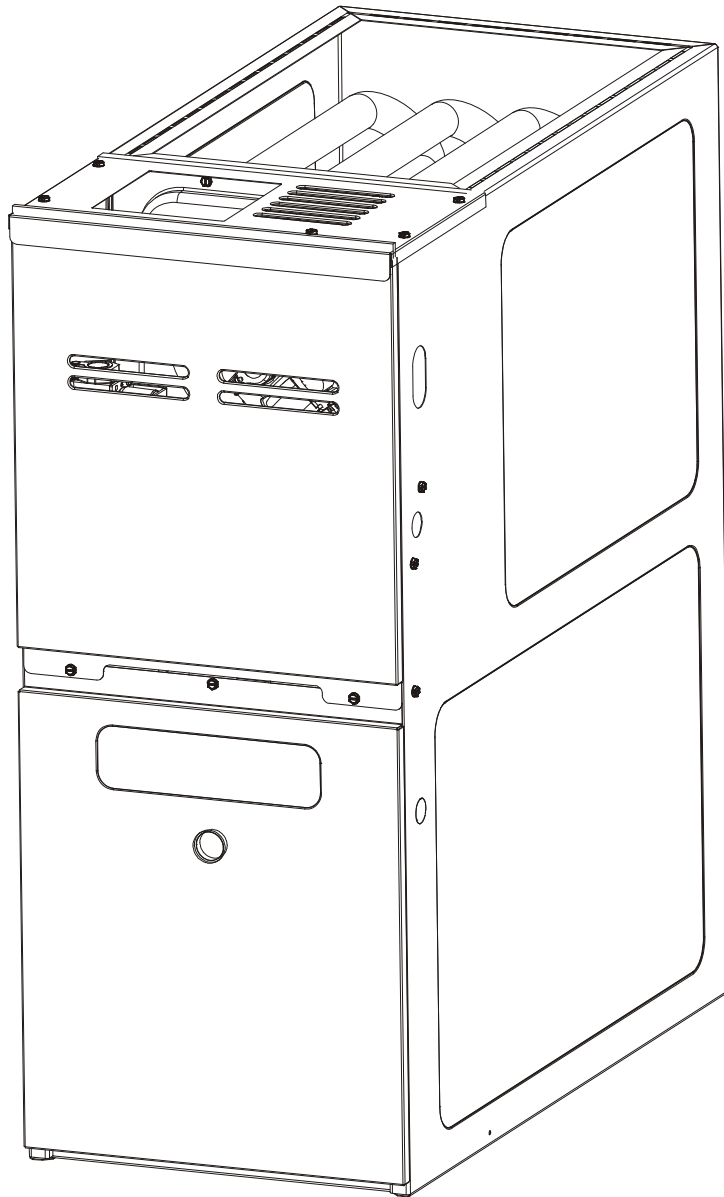


# REPAIR PARTS

## \*MVC8 80% Variable Speed Communicating Furnace

GMVC80604BNAA  
GMVC80604BNBA  
GMVC80604BNBB  
GMVC80604BXAA  
GMVC80604BXBA  
GMVC80604BXBB  
GMVC80805CNAA  
GMVC80805CNBA  
GMVC80805CNBB  
GMVC80805CXAA  
GMVC80805CXBA  
GMVC80805CXBB  
GMVC81005CNAA  
GMVC81005CNBA  
GMVC81005CNBB  
GMVC81005CXAA  
GMVC81005CXBA  
GMVC81005CXBB



This manual is to be used by qualified technicians only.

This manual replaces RP-671.

© 2011,2012 Goodman Manufacturing Company, L.P. ♦ 5151 San Felipe, Suite 500 ♦ Houston, TX 77056

# Important Information

---

## Index

Functional Parts List .....	3
Illustration and Parts .....	4 - 9

*Views shown are for parts illustrations only, not servicing procedures.*

### Text Codes:

AR - As Required

NA - Not Available

NS - Not Shown

00000000 - See Note

QTY - Quantity Example (QTY 3) (If Quantity not shown, Quantity = 1)

M - Model Example (M1) (If M Code not shown, then part is used on all Models)

### Expanded Model Nomenclature:

Example M1 - Model#1 M2 - Model#2 M3 - Model#3
---

Goodman Manufacturing Company, L.P. is not responsible for personal injury or property damage resulting from improper service. Review all service information before beginning repairs.

Warranty service must be performed by an authorized technician, using authorized factory parts. If service is required after the warranty expires, Goodman Manufacturing Company, L.P. also recommends contacting an authorized technician and using authorized factory parts.

Goodman Manufacturing Company, L.P. reserves the right to discontinue, or change at any time, specifications or designs without notice or without incurring obligations.

For assistance within the U.S.A. contact:  
Consumer Affairs Department  
Goodman Manufacturing Company, L.P.  
7401 Security Way  
Houston, Texas 77040  
877-254-4729-Telephone  
713-863-2382-Facsimile

For assistance outside the U.S.A. contact:  
International Division  
Goodman Manufacturing Company, L.P.  
7401 Security Way  
Houston, Texas 77040  
713-861-2500-Telephone  
713-863-2382-Facsimile

# Functional Parts

**Part  
No:**

**Description:**

Expanded Model Nomenclature

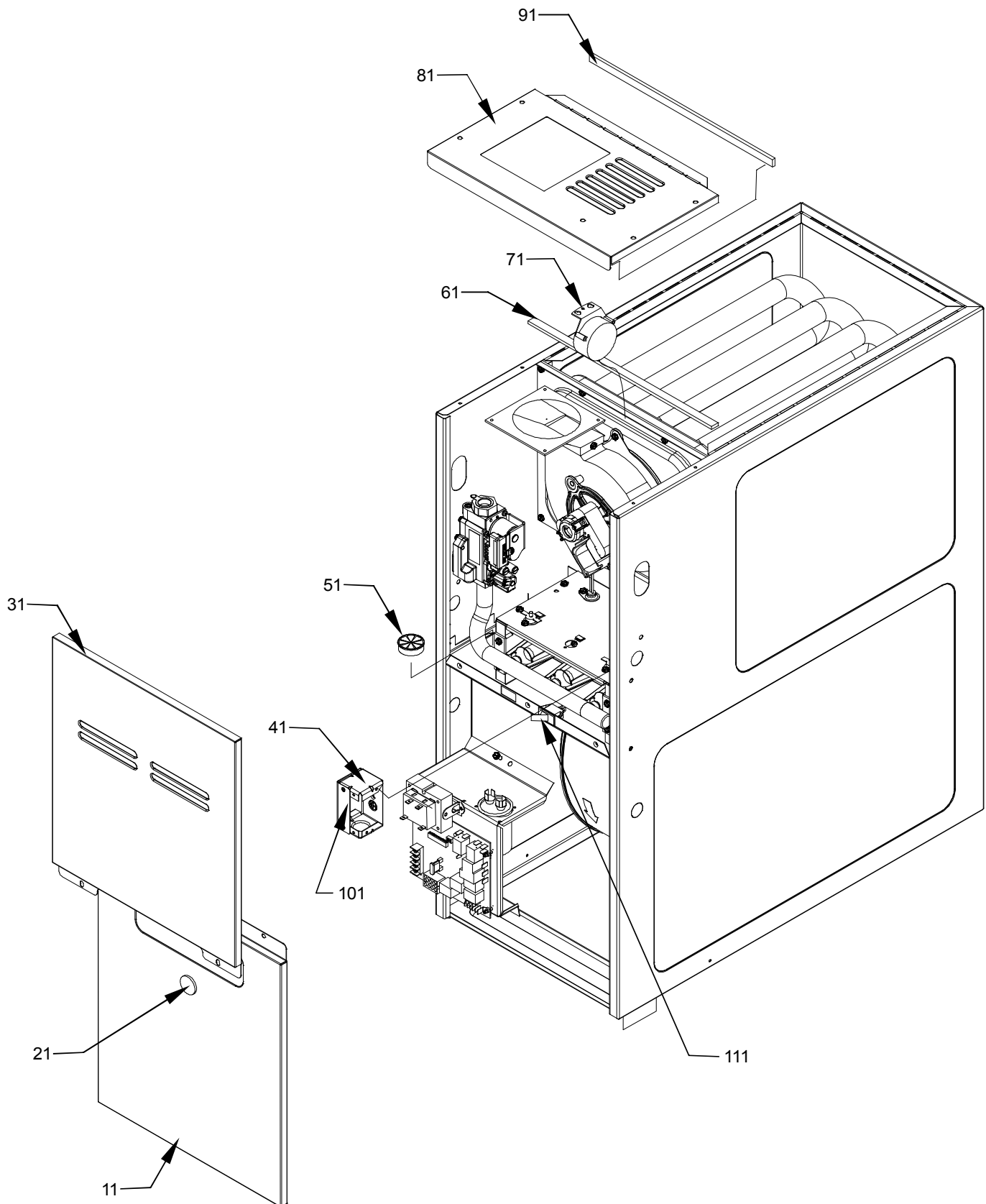
0130F00049	AIR PRESSURE SWITCH (M1, M2, M3, M4, M5, M6, M8, M9, M11, M12)
0130F00050	AIR PRESSURE SWITCH (M7, M10, M13, M16)
0130F00010	FLAME SENSOR
0130F00008	IGNITOR-SINI 17 SEC
B1141666	INDUCTOR-5.9 AMP
B1370818	INTERLOCK SWITCH
10123529	MANUAL RESET LIMIT (QTY 2)
0130F00269	MEMORY CHIP (M18)
0130F00268	MEMORY CHIP (M15)
0130F00267	MEMORY CHIP (M12)
0130F00266	MEMORY CHIP (M9)
0130F00073	MEMORY CHIP (M7, M8, M10, M11, M13, M14, M16, M17)
0130F00265	MEMORY CHIP (M6)
0130F00264	MEMORY CHIP (M3)
0130F00072	MEMORY CHIP (M1, M2, M4, M5)
0131M00271	MOTOR, 3/4 HP, SERIAL ECM
PCBKF103	PCB, CONTROL, FURNACE
20162903	PRIMARY LIMIT - BLUE (M1, M4)
0130M00063	PRIMARY LIMIT - GOLD 140° (M2, M3, M5, M6, M7, M8, M9, M10, M11, M12)
0130F00038	PRIMARY LIMIT - LT BLUE 120°
20162904	PRIMARY LIMIT-TEMPERATURE CONTROL (M13, M16)
20162905	PRIMARY LIMIT-YELLOW (M14, M15, M17, M18)
B1141605	TRANSFORMER 120V TO 24V, 40 VA
0151M00028	VALVE,GAS(HW)VR92
0131M00003P	VENT MOTOR, 2-STAGE

M1 - GMVC80604BNAA
M2 - GMVC80604BNBA
M3 - GMVC80604BNBB
M4 - GMVC80604BXAA
M5 - GMVC80604BXBA
M6 - GMVC80604BXBB
M7 - GMVC80805CNAA
M8 - GMVC80805CNBA
M9 - GMVC80805CNBB
M10 - GMVC80805CXAA
M11 - GMVC80805CXBA
M12 - GMVC80805CXBB
M13 - GMVC81005CNAA
M14 - GMVC81005CNBA
M15 - GMVC81005CNBB
M16 - GMVC81005CXAA
M17 - GMVC81005CXBA
M18 - GMVC81005CXBB

## SPECIAL PARTS

0161F00007	GOODMAN NAMEPLATE
------------	-------------------

# Cabinet



# Cabinet

**Ref. Part  
No: No:**

**Description:**

**Ref. Part  
No: No:**

**Description:**

*Image 1:*

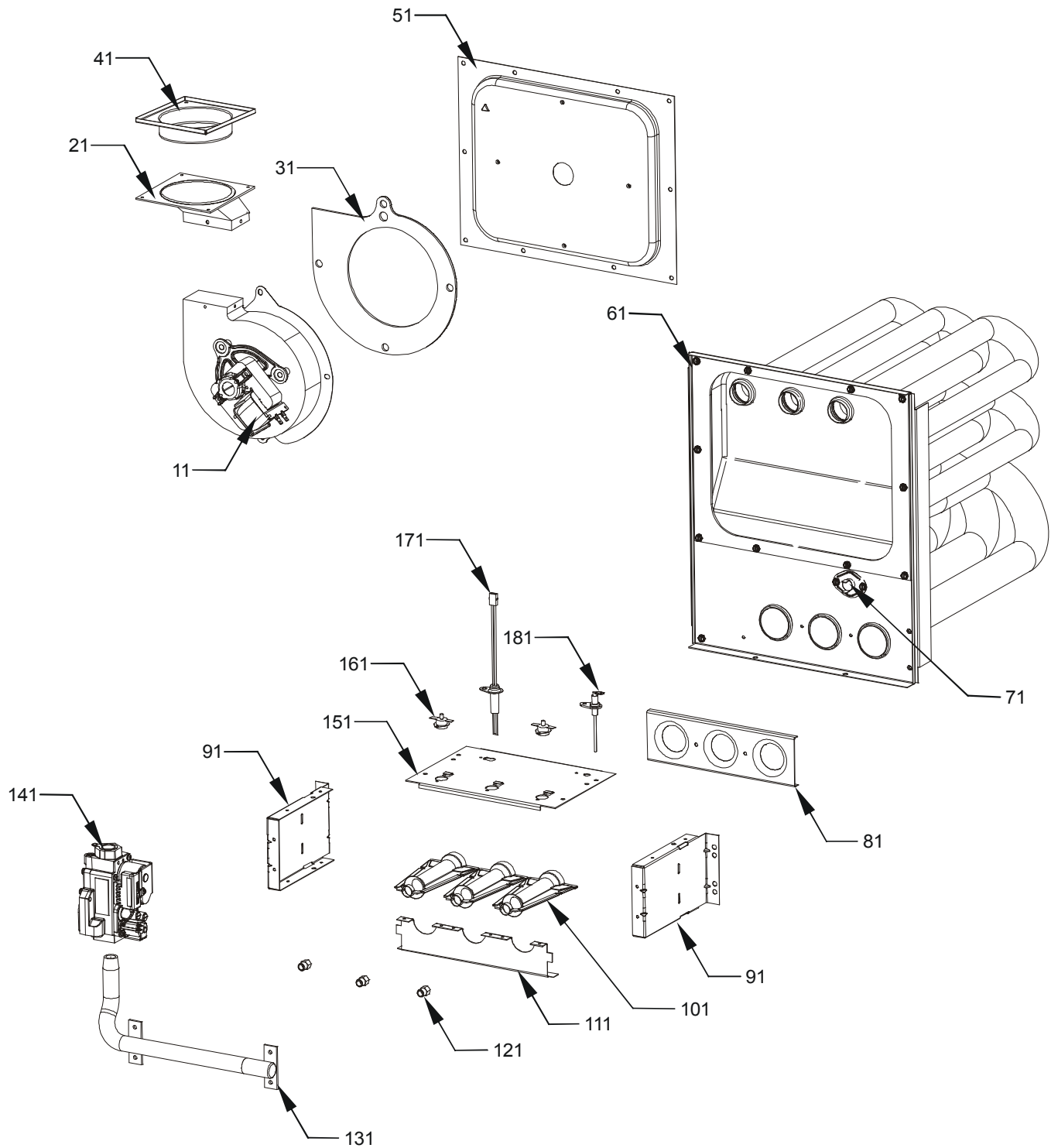
11	0121F00123DG	BLOWER ACCESS DOOR 17.5" (M1, M2, M3, M4, M5, M6)
11	0121F00124DG	BLOWER ACCESS DOOR 21" (M7, M8, M9, M10, M11, M12, M13, M14, M15, M16, M17, M18)
21	B1392139	VIEW PORT BUSHING-BLOWER DOOR
31	0121F00119DG	CONTROL ACCESS DOOR 17.5" (M1, M2, M3, M4, M5, M6)
31	0121F00120DG	CONTROL ACCESS DOOR 21" (M7, M8, M9, M10, M11, M12, M13, M14, M15, M16, M17, M18)
31	B13926112	SEAL STRIP, 1/8 X 1/2 X 17.5 (M1, M2, M3, M4, M5, M6)
41	4014502	J-BOX
51	B1392147	UNIVERSAL BUSHING WITH SLICE
61	B13926112	SEAL STRIP, 1/8 X 1/2 X 17.5 (M1, M2, M3, M4, M5, M6)
61	B13926113	SEAL STRIP, 1/8 X 1/2 X 21 (M7, M8, M9, M10, M11, M12, M13, M14, M15, M16, M17, M18)
71	0130F00049	AIR PRESSURE SWITCH (M1, M2, M3, M4, M5, M6, M8, M9, M11, M12)
71	0130F00050	AIR PRESSURE SWITCH (M7, M10, M13, M16)
81	0121F00142DG	TOP 17.5" (M1, M2, M3, M4, M5, M6)
81	0121F00143DG	TOP 21" (M7, M8, M9, M10, M11, M12, M13, M14, M15, M16, M17, M18)
91	B13926111	SEAL STRIP, 1/8 X 1/2 X 14
101	4015502	J-BOX COVER
111	B1370818	INTERLOCK SWITCH
NS	0161F00007	GOODMAN NAMEPLATE
NS	0259F00062	INDUCER HARNESS ASSY
NS	0270K00016	SOLID BOTTOM 17.5" CASE (M1, M2, M3, M4, M5, M6)
NS	1819002	SOLID BOTTOM 21" CASE (M7, M8, M9, M10, M11, M12, M13, M14, M15, M16, M17, M18)
NS	0259F00063	WIRE HARNESS ASSY
NS	0259F00075	WIRE HARNESS ASSY (M1, M2, M4, M5, M7, M8, M10, M11, M13, M14, M16, M17)
NS	0259F00081	WIRE HARNESS ASSY (M3, M6, M9, M12, M15, M18)

Expanded Model Nomenclature

M1 - GMVC80604BNAA
M2 - GMVC80604BNBA
M3 - GMVC80604BNBB
M4 - GMVC80604BXAA
M5 - GMVC80604BXBA
M6 - GMVC80604BXBB
M7 - GMVC80805CNAA
M8 - GMVC80805CNBA
M9 - GMVC80805CNBB
M10 - GMVC80805CXAA
M11 - GMVC80805CXBA
M12 - GMVC80805CXBB
M13 - GMVC81005CNAA
M14 - GMVC81005CNBA
M15 - GMVC81005CNBB
M16 - GMVC81005CXAA
M17 - GMVC81005CXBA
M18 - GMVC81005CXBB

# Heat Exchanger Assembly

Image 1



# Heat Exchanger Assembly

Ref. Part No:	Ref. Part No:	Description:	Description:	
<i>Image 1:</i>		<i>Image 1:</i>		
11	0131M00003P	VENT MOTOR, 2-STAGE	161 10123529 MANUAL RESET LIMIT (QTY 2)	
21	0128F00006	CHIMNEY TRANSITION BOTTOM	171 0130F00008 IGNITOR-SINI 17 SEC	
31	0154F00004	VENT MOTOR GASKET 17.5" (M1, M2, M3, M4, M5, M6)	181 0130F00010 FLAME SENSOR	
31	0154F00005	VENT MOTOR GASKET 21" (M7, M8, M9, M10, M11, M12, M13, M14, M15, M16, M17, M18)	<b>Expanded Model Nomenclature</b>	
41	4023500	CHIMNEY TRANSITION TOP	M1 - GMVC80604BNAA	
51	0121F00332	17.5" COLLECTOR BOX 1.375" DIA (M2, M3, M5, M6)	M2 - GMVC80604BNBA	
51	0121F00333	21" COLLECTOR BOX 1.75" DIA (M14, M15, M17, M18)	M3 - GMVC80604BNBB	
51	0121F00336	21" FLUE COLLECTOR BOX 1.50" (M8, M9, M11, M12)	M4 - GMVC80604BXAA	
51	0121F00216	COLLECTOR BOX (M1, M4)	M5 - GMVC80604BXBA	
51	0121F00217	COLLECTOR BOX (M7, M10, M13, M16)	M6 - GMVC80604BXBB	
61	0270F00903	HEAT EXCHANGER ASSY (M13, M14, M15, M16, M17, M18)	M7 - GMVC80805CNAA	
61	0270F00929	HEAT EXCHANGER ASSY (M1, M2, M3, M4, M5, M6)	M8 - GMVC80805CNBA	
61	0270F00930	HEAT EXCHANGER ASSY (M7, M8, M9, M10, M11, M12)	M9 - GMVC80805CNBB	
71	20162903	PRIMARY LIMIT - BLUE (M1, M4)	M10 - GMVC80805CXAA	
71	0130M00063	PRIMARY LIMIT - GOLD 140° (M2, M3, M5, M6, M7, M8, M9, M10, M11, M12)	M11 - GMVC80805CXBA	
71	20162904	PRIMARY LIMIT-TEMPERATURE CONTROL (M13, M16)	M12 - GMVC80805CXBB	
71	20162905	PRIMARY LIMIT-YELLOW (M14, M15, M17, M18)	M13 - GMVC81005CNAA	
81	4028001	ORIFICE SHIELD 3 CELL (M1, M2, M3, M4)	M14 - GMVC81005CNBA	
81	4028002	ORIFICE SHIELD 4 CELL (M5, M6, M7, M8, M9, M10, M11, M12)	M15 - GMVC81005CNBB	
81	4028003	ORIFICE SHIELD 5 CELL (M13, M14, M15, M16, M17, M18)	M16 - GMVC81005CXAA	
91	0121F00146	BURNER BOX SIDE (QTY 2)	M17 - GMVC81005CXBA	
101	B4022700	INSHOT BURNER ASSY 3" (QTY A/R)	M18 - GMVC81005CXBB	
111	0121F00168	BURNER BRACKET 3B (M1, M2, M3, M4, M5, M6)		
111	0121F00169	BURNER BRACKET 4B (M7, M8, M9, M10, M11, M12)		
111	0121F00170	BURNER BRACKET 5B (M13, M14, M15, M16, M17, M18)		
121	10716003	ORIFICE (M1, M4, M7, M10, M13, M16)		
121	B4089345	ORIFICE (M2, M3, M5, M6, M8, M9, M11, M12, M14, M15, M17, M18)		
131	0120F00007	MANIFOLD (M1, M2, M3, M4, M5, M6)		
131	0120F00008	MANIFOLD (M7, M8, M9, M10, M11, M12)		
131	0120F00009	MANIFOLD (M13, M14, M15, M16, M17, M18)		
141	0151M00028	VALVE,GAS(HW)VR92		
151	0121F00163	BURNER BOX TOP 3 CELL (M1, M2, M3, M4, M5, M6)		
151	0121F00164	BURNER BOX TOP 4 CELL (M7, M8, M9, M10, M11, M12)		
151	0121F00165	BURNER BOX TOP 5 CELL (M13, M14, M15, M16, M17, M18)		

# Blower and Control Panel

Image 1

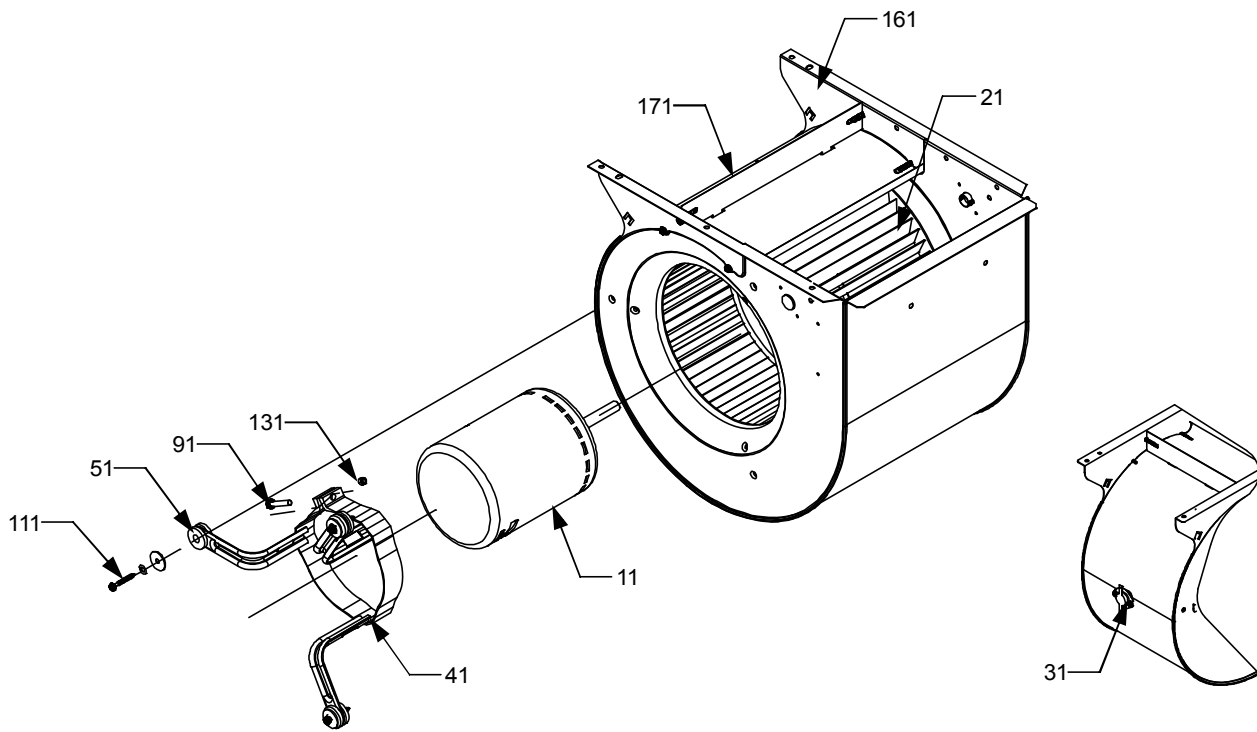
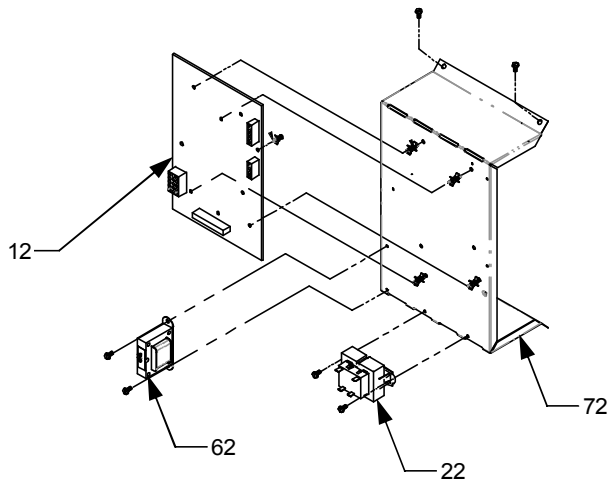


Image 2





# Blower and Control Panel

**Ref. Part  
No: No:**

**Description:**

**Ref. Part  
No: No:**

**Description:**

*Image 1:*

11	0131M00271	MOTOR, 3/4 HP, SERIAL ECM
21	B1368047A	BLOWER WHEEL 10 X 10 (M7, M8, M9, M10, M11, M12, M13, M14, M15, M16, M17, M18)
21	B1368016	BLOWER WHEEL 10 X 8 (M1, M2, M3, M4, M5, M6)
31	0130F00038	PRIMARY LIMIT - LT BLUE 120°
41	0121M00038	MOTOR MOUNT BAND
51	B1376853	MOTOR MOUNT ARM (QTY 3)
91	B1393323	MACHINE SCREW HWH 1/4-20 X 1-1/2 BZ
131	B1393800	LOCKNUT, NYLON, INSERT 1/4, 20
161	0271F00111	BLOWER SHELL ASSY (M1, M2, M3, M4, M5, M6)
161	0271F00112	BLOWER SHELL ASSY (M7, M8, M9, M10, M11, M12, M13, M14, M15, M16, M17, M18)
171	764741F	BLOWER BLOCK-OFF 10 X 10 (M7, M8, M9, M10, M11, M12, M13, M14, M15, M16, M17, M18)
171	764740F	BLOWER BLOCK-OFF 10 X 8 (M1, M2, M3, M4, M5, M6)
NS	0259F00048	HARNESS, CONTROL
NS	0259F00049	HARNESS, POWER

Expanded Model Nomenclature

M1 - GMVC80604BNAA
M2 - GMVC80604BNBA
M3 - GMVC80604BNBB
M4 - GMVC80604BXAA
M5 - GMVC80604BXBA
M6 - GMVC80604BXBB
M7 - GMVC80805CNAA
M8 - GMVC80805CNBA
M9 - GMVC80805CNBB
M10 - GMVC80805CXAA
M11 - GMVC80805CXBA
M12 - GMVC80805CXBB
M13 - GMVC81005CNAA
M14 - GMVC81005CNBA
M15 - GMVC81005CNBB
M16 - GMVC81005CXAA
M17 - GMVC81005CXBA
M18 - GMVC81005CXBB

*Image 2:*

12	PCBKF103	PCB, CONTROL, FURNACE
22	B1141605	TRANSFORMER 120V TO 24V, 40 VA
62	B1141666	INDUCTOR-5.9 AMP
72	0121F00218	PANEL, CONTROL MOUNTING
NS	0130F00072	MEMORY CHIP (M1, M2, M4, M5)
NS	0130F00073	MEMORY CHIP (M7, M8, M10, M11, M13, M14, M16, M17)
NS	0130F00264	MEMORY CHIP (M3)
NS	0130F00265	MEMORY CHIP (M6)
NS	0130F00266	MEMORY CHIP (M9)
NS	0130F00267	MEMORY CHIP (M12)
NS	0130F00268	MEMORY CHIP (M15)
NS	0130F00269	MEMORY CHIP (M18)