



Submittal Data Information

Tank Fittings

401-050

SUPERSEDES: 401-050 dated January 1, 2000

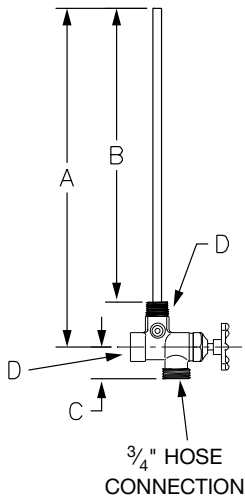
EFFECTIVE: June 1, 2007

Job: _____ Engineer: _____ Contractor: _____ Rep.: _____

Quantity	Item No.	Model No.	Precharge	Working Pressure

Dimensions & Sizing

MODEL No.:
463, 464, 438



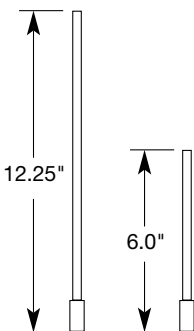
Product Number	Description	Tank Diameter	A (in)	B (in)	C (in)	D (npt)
463	Tank Fitting with Drain and Shutoff Valve	14" or less	12.69	11.00	1.19	1/2
		20"	18.19	16.50	1.19	1/2
		24"	24.44	22.75	1.19	1/2
		30"	29.94	28.25	1.19	1/2
464	Tank Fitting with Drain and Shutoff Valve	14" or less	12.81	10.94	1.50	3/4
		20"	17.88	16.44	1.50	3/4
		24"	23.13	22.69	1.50	3/4
		30"	29.63	28.19	1.50	3/4
438	Tank Fitting with Drain and Shutoff Valve	16"	14.69	12.19	1.50	1
		20"	20.25	17.75	1.50	1
		* 24"	26.50	24.00	1.50	1
		* 30" & Up	32.25	29.75	1.50	1

* 2" must be cut from extended tube length on 438 tank fitting with 24" & 30" diameter tanks. See Z dimensions below.

Z Dimensions with Extensions

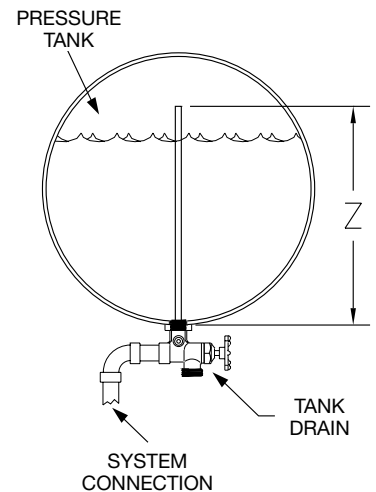
Model	Standard Lengths	6" Ext.	12" Ext.	6" & 12" Ext.
463	11.44	16.94	23.19	28.69
464	11.44	16.94	23.19	28.69
438	12.81	18.31	24.31	30.06

AIR TUBE EXTENSIONS INCLUDED WITH MODEL NO. 463, 464, 438



Materials of Construction & Operating Data

Model	Body	Vent Tubes	Max. Press.	Max. Temp.
463,464,438	Cast Bronze	Copper	125 psig	240 deg F



COMMENTS: _____

All dimensions shown are subject to change and should not be used for pre-piping. Contact your local Taco representative should certified dimensional drawings be required.

Do it Once. Do it Right.

Taco Inc., 1160 Cranston Street, Cranston, RI 02920 Telephone: (401) 942-8000 Fax: 942-2360

Taco (Canada), Ltd., 6180 Ordan Drive, Mississauga, Ontario L5T 2B3 Telephone: (905) 564-9422 Fax: (905) 564-9436

Visit our website at: www.taco-hvac.com

Printed in USA
Copyright 2007
TACO, Inc.