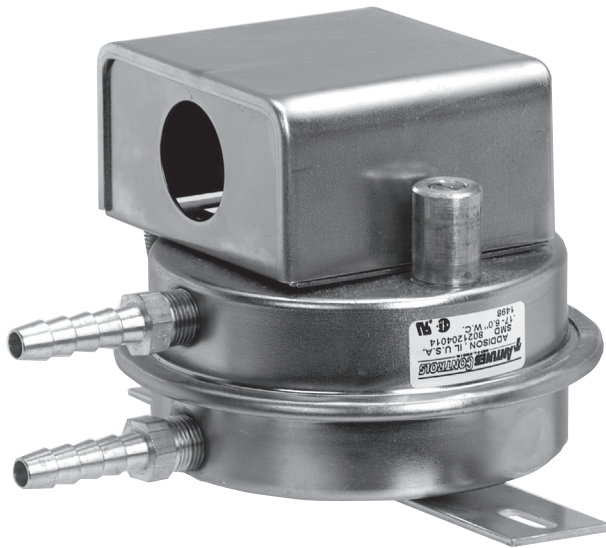


Model- SMD



Model - SMD

Air Flow Interlocking Switch

Specifications

Electrical

10A @ 125, 8A @ 250, 7A @ 277 VAC
1/8 HP @ 125 VAC, 1/4 HP @ 250 VAC
Pilot Duty 125 VA @ 125/277 VAC

All Models

Maximum surge pressure: 20" W.C.

Maximum ambient temperature: 170°F

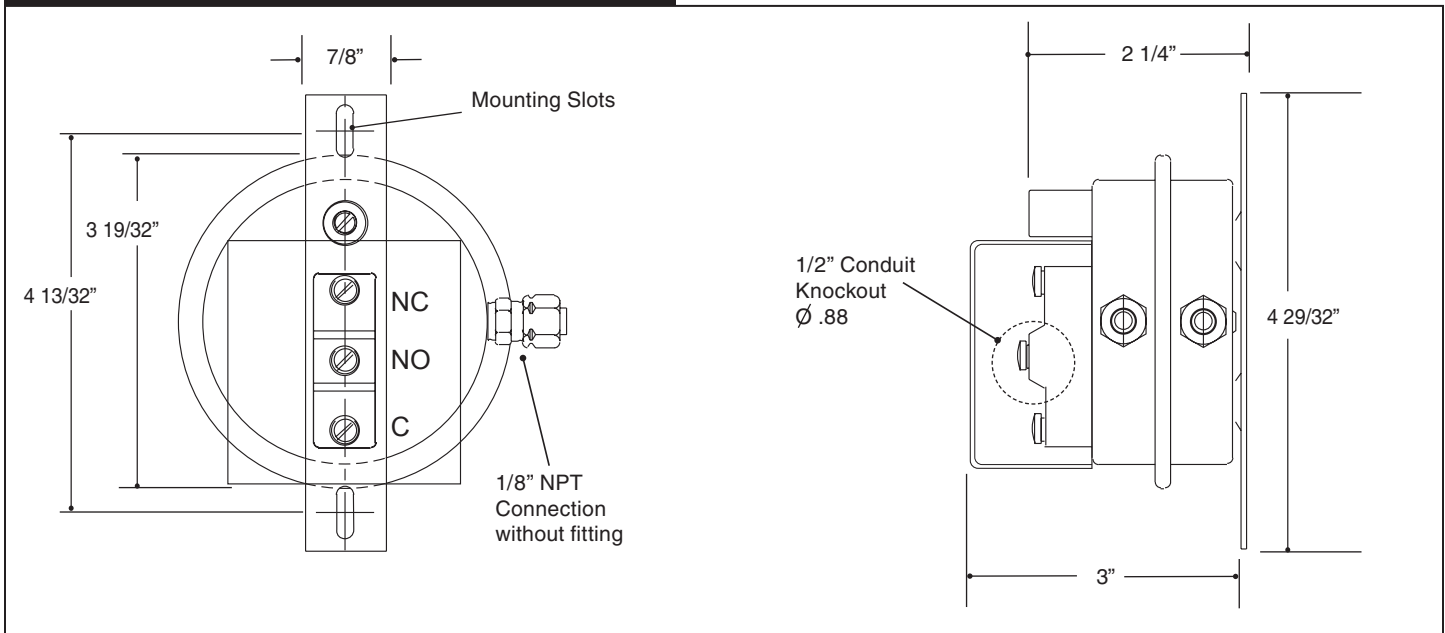
Minimum ambient temperature: -40°F

You are installing one of the finest switches of its type on the market. You will find this switch has many superior features that insure dependable, accurate long life operation. This switch is highly sensitive and fully approved. It is UL and CSA listed, and has FM approval (optional).

Please read this instruction sheet carefully to assure correct installation. This equipment must be installed only by a licensed electrician who is experienced with combustion safeguard control systems and understands the functions of an interlocking switch such as gas pressure switches. Prior to being put into operation in conjunction with the combustion safeguard systems, all switches should be tested for proper range setting and proper wiring. Check piping connections and switch housing for leaks with a soap bubble test. All exhaust fans and blowers should be inspected and checked for proper rotation prior to starting up.



Dimensions



Installation

Models may be mounted in a horizontal or vertical position. All switches are tested at the factory in a vertical position. Locations of fittings and types of fittings may vary from unit to unit.

Mounting diaphragm in vertical position is the preferred method.

Mounting in horizontal position, micro switch must be on the top. When mounted in this position, the minimum sensitivity may be higher than that specified.

Range Adjustment

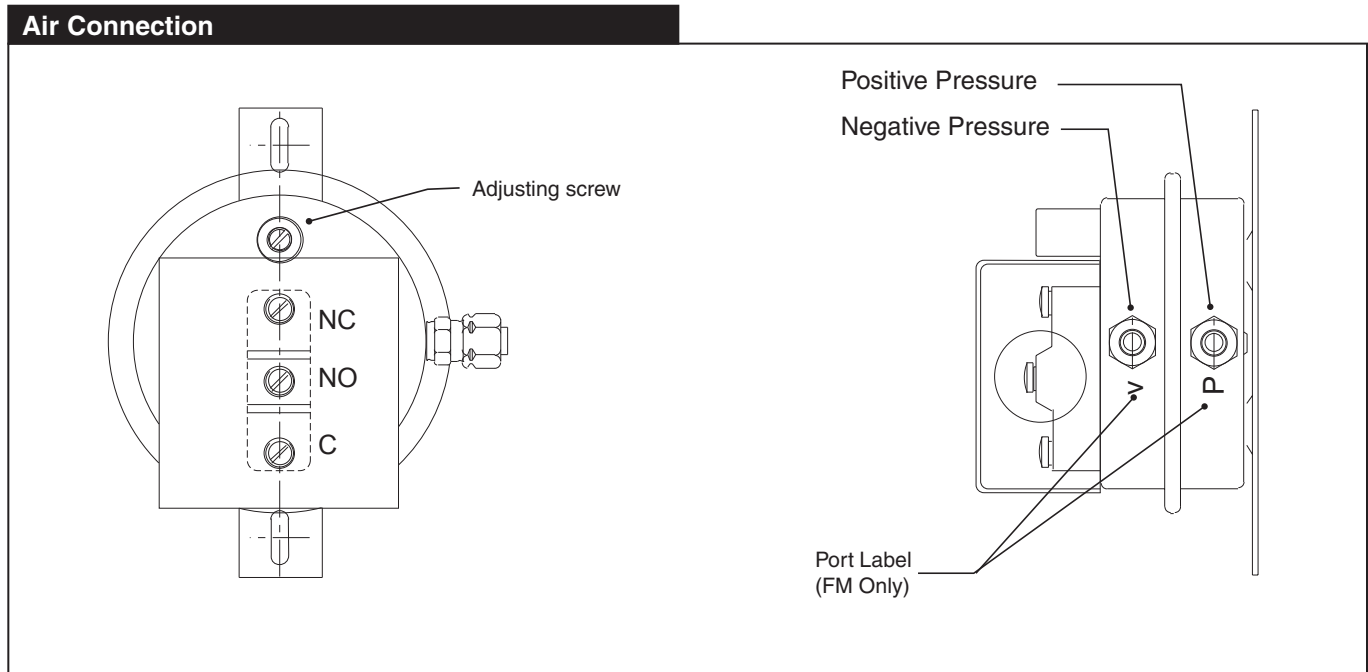
All settings are made with the diaphragm in a vertical position. The switch is shipped with the adjustment at minimum .17" W.C.

To adjust, turn adjusting screw with screwdriver. To increase pressure setting, turn adjustment screw down in a clockwise direction. To decrease pressure setting, turn adjusting screw up, in a counterclockwise direction.

Notes

Standard mounting bracket is shown. For other mounting arrangements, contact factory.

All Models	Optional Fittings
Max. Surge Pressure 20" W.C.	1/4" Barb
Max. Ambient Temp. 170° F	1/4" Tube
Max. Ambient Temp. -40° F	1/2" Compression



Air Connection

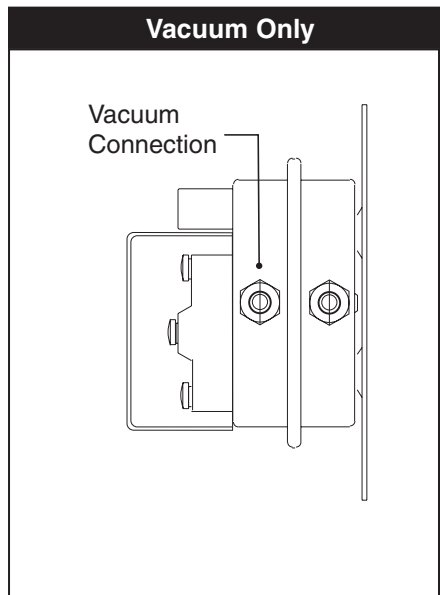
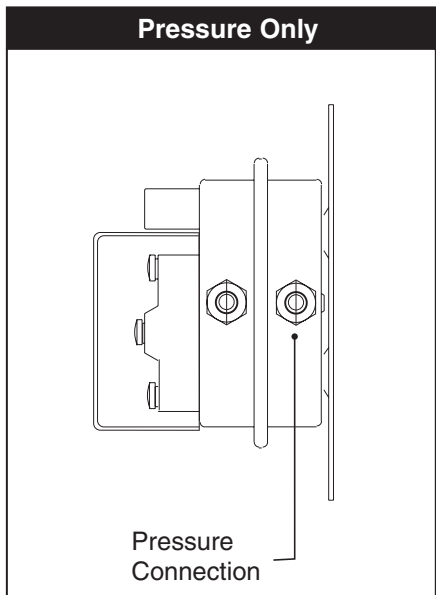
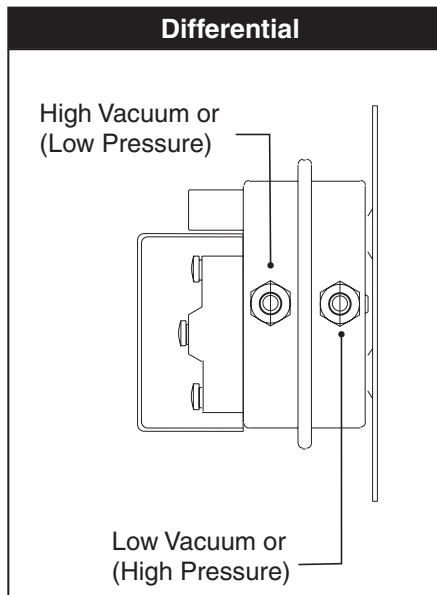
Tubing: Recommended as minimums: 1/4" copper or aluminum tubing; 1/8" pipe. All tubing and pipe must be clean and free from oil, dirt, and chips. If piping runs over five feet long, use larger size tubing or pipe, and reduce size at switch connection.

Air Supply

Should be connected as shown in drawings.

Switch Differential @ 70° F

Differential	Operating Pressure Range
.015" to .03" W.C.	.17" - 1" W.C.
.5" W.C.	.17" - 6" W.C.
1.0 W.C.	.17" - 12" W.C.



Limitation of Liability

It is understood and agreed that seller's liability whether in contract, in tort, under any warranty, in negligence or otherwise shall not exceed the return of the amount of the purchase price paid by purchaser and under no circumstances shall seller be liable for special, indirect or consequential damages.

The price stated for the equipment is a consideration in limiting seller's liability. No action, regardless of form, arising out of the transactions may be brought by purchaser more than one year after the cause of action has accrued.

Warranty

1. Antunes Controls products are guaranteed to be free from mechanical and electrical defects for a period of one year from date of shipment under normal use and service provided installation is made in accordance with manufacturers' recommendations.
2. Parts deemed defective shall be repaired or replaced at manufacturers option and at manufacturers expense but shall not include foreign or federal excise taxes, state or municipal sale or use taxes, all such taxes not limited to the foregoing being responsibility of the purchaser.
3. No charge for travel and/or mileage will be allowed to purchaser.
4. Antunes Controls reserves the right to make changes in design or make any improvements on any products. The right is always reserved to modify our equipment because of new technology, underwriter's requirements and/or government regulations.
5. The following are not covered under warranty:
 - a. Failure from neglect, abuse, careless handling and mis-application of unit.
 - b. Failure to observe guidelines for installation or improper voltage hook-up.
 - c. Failure caused by improper maintenance. (See maintenance guidelines found in operation instructions.)
 - d. Unless specifically allowed by Antunes Controls, no other charges may be included under warranty.



A.J. Antunes & Co.
Headquarters/Manufacturing
180 Kehoe Boulevard
Carol Stream, Illinois 60188 USA
Phone (630) 784-1000
Toll Free (800) 253-2991
Fax: (630) 784-1650

Antunes Equipment
Manufacturing (Suzhou) Ltd.,
9 Hou Ju Road, Building #24,
S&T Park, SND
Suzhou, Jiangsu, China 215011
Phone: 86-512-6841-3637
Fax: 86-512-6841-3907

www.ajantunes.com