



REPAIR PARTS

GCV9 90% Counterflow Two-Stage Variable Speed Furnace

GCV90704CXBA
GCV90704CXBB
GCV90905DXBA
GCV90905DXBB
GCV91155DXBA
GCV91155DXBB



Goodman Manufacturing Company, L.P.
2550 North Loop West, Suite 400
Houston Texas 77092

www.goodmanmfg.com

RP-417B
February 2007

Important Information

Index

Functional Parts List	3
Illustration and Parts	4 - 11

Views shown are for parts illustrations only, not servicing procedures

Rev. B: Added GCV90704CXBB, GCV90905DXBB, and GCV91155DXBB.

Text Codes:

AR - As Required

NA - Not Available

NS - Not Shown

00000000 - See Note

QTY - Quantity Example (QTY 3) (If Quantity not shown, Quantity = 1)

M - Model Example (M1) (If M Code not shown, then part is used on all Models)

Expanded Model Nomenclature:

Example M1 - Model#1 M2 - Model#2 M3 - Model#3

Goodman Manufacturing Company, L.P. is not responsible for personal injury or property damage resulting from improper service. Review all service information before beginning repairs.

Warranty service must be performed by an authorized technician, using authorized factory parts. If service is required after the warranty expires, Goodman Manufacturing Company, L.P. also recommends contacting an authorized technician and using authorized factory parts.

Goodman Manufacturing Company, L.P. reserves the right to discontinue, or change at any time, specifications or designs without notice or without incurring obligations.

For assistance within the U.S.A. contact:
Consumer Affairs Department
Goodman Manufacturing Company, L.P.
7401 Security Way
Houston, Texas 77040
877-254-4729-Telephone
713-863-2382-Facsimile

For assistance outside the U.S.A. contact:
International Division
Goodman Manufacturing Company, L.P.
7401 Security Way
Houston, Texas 77040
713-861-2500-Telephone
713-863-2382-Facsimile

Functional Parts

Part No:

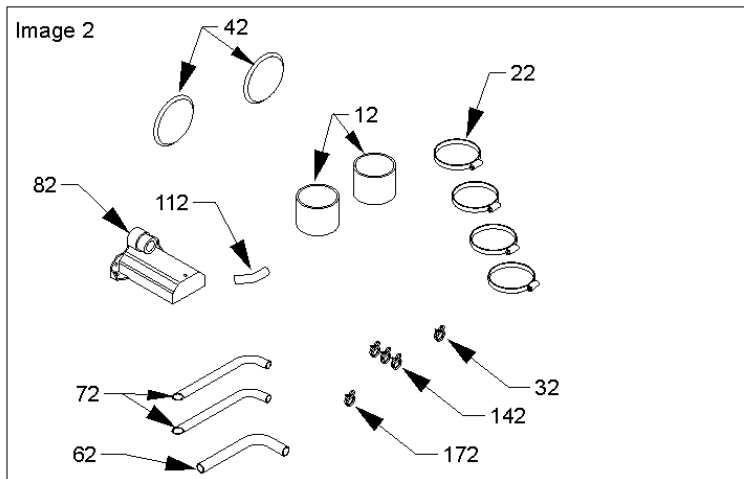
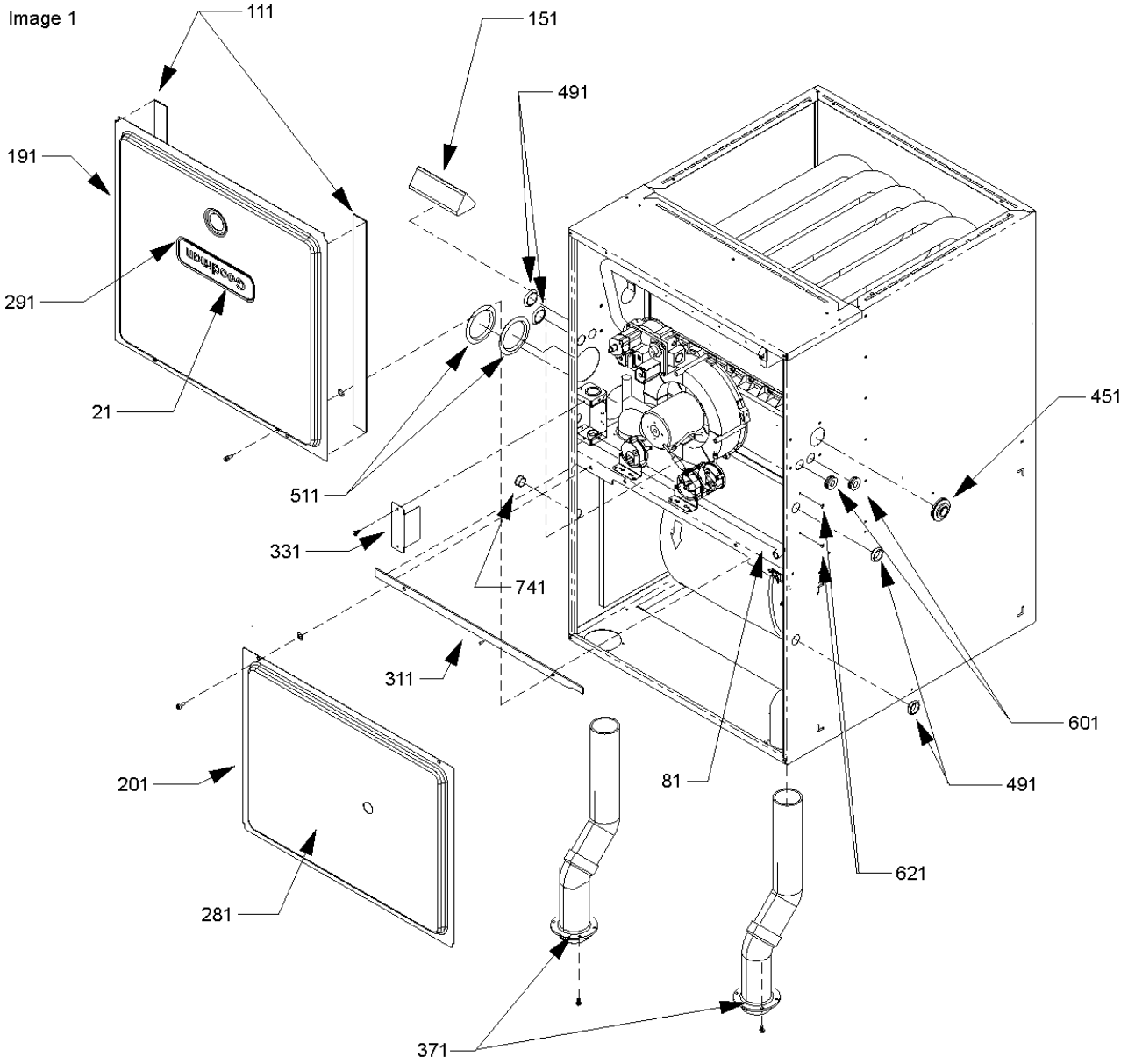
Description:

Part No:	Description:								
0257F00157S	ASSY-HEAT EXCHANGER 3B (M1, M2)	IO-661	INSTALLATION INSTRUCTIONS- MASSACHUSETTS						
0257F00154S	ASSY-HEAT EXCHANGER 4B (M3, M4)	0161F00000P	NAMEPLATE						
0257F00162S	ASSY-HEAT EXCHANGER 5B (M5, M6)	0142F00001	PM-GTAXCRDT50-1 GREEN						
10735102	BECKETT BURNER (QTY AR)	RP-417B	REPAIR PARTS MANUAL						
B1809927S	BOARD, IGNITION, HSI, 2 STAGE	10195518	STANDPIPE BAG ASSY						
0130F00010	FLAME SENSOR	Expanded Model Nomenclature							
0151F00000P	GAS VALVE	<table border="1"> <tr><td>M1 - GCV90704CXBA</td></tr> <tr><td>M2 - GCV90704CXBB</td></tr> <tr><td>M3 - GCV90905DXBA</td></tr> <tr><td>M4 - GCV90905DXBB</td></tr> <tr><td>M5 - GCV91155DXBA</td></tr> <tr><td>M6 - GCV91155DXBB</td></tr> </table>		M1 - GCV90704CXBA	M2 - GCV90704CXBB	M3 - GCV90905DXBA	M4 - GCV90905DXBB	M5 - GCV91155DXBA	M6 - GCV91155DXBB
M1 - GCV90704CXBA									
M2 - GCV90704CXBB									
M3 - GCV90905DXBA									
M4 - GCV90905DXBB									
M5 - GCV91155DXBA									
M6 - GCV91155DXBB									
20245903	ID BLOWER								
0130F00008	IGNITOR-SINI 17 SEC								
20218901	INDUCTOR COIL								
10690402	INTERLOCK SWITCH								
20162905	LIMIT-PRIMARY (M5, M6)								
20162903	LIMIT-PRIMARY 160°F (M1, M2)								
20162908	LIMIT-PRIMARY 170°F (M3, M4)								
10123536	LIMIT-RESET MANUAL 180°F (M3, M4, M5, M6)								
10123517	LIMIT-RESET MANUAL 210°F (M3, M4, M5, M6)								
10123534	LIMIT-RESET MANUAL 220°F (M1, M2)								
20196404	MANIFOLD (M5, M6)								
20196402	MANIFOLD (M1, M2)								
20196403	MANIFOLD (M3, M4)								
20510321	MOTOR-1 HP PROGRAMMED (M5, M6)								
20510319	MOTOR-1 HP PROGRAMMED (M3, M4)								
20509426	MOTOR-3/4 HP PROGRAMMED (M1, M2)								
10716003	ORIFICE (QTY AR)								
11177118	PRESSURE SWITCH								
20197313	PRESSURE SWITCH								
B1141605	TRANSFORMER 120V TO 24V, 40VA								
10236702	WINDOW FRAME								
20275905	WIRING HARNESS (M1, M2, M5, M6)								
0159F00004	WIRING HARNESS								
20275905	WIRING HARNESS (M3, M4)								
11118705	WIRING HARNESS								

SPECIAL PARTS

HI-115A	HOMEOWNERS INSTRUCTIONS
IO-280E	INSTALLATION INSTRUCTIONS

Cabinet



Cabinet

Ref. Part No:	Ref. Part No:	Description:	Description:
---------------	---------------	--------------	--------------

Image 1:

21	0161F00000P	NAMEPLATE
81	20201902	DRAIN HOSE
111	20179308	GASKET (QTY 2)
151	10195518	STANDPIPE BAG ASSY
191	0121F00073DG	DOOR-ACCESS (M1, M2)
191	0121F00074DG	DOOR-ACCESS (M3, M4, M5, M6)
201	0121F00070DG	DOOR-BLOWER (M1, M2)
201	0121F00071DG	DOOR-BLOWER (M3, M4, M5, M6)
281	11104001	VIEW PORT BUSHING-BLOWER DOOR (M1, M2)
281	B1392139	VIEW PORT BUSHING-BLOWER DOOR (M3, M4, M5, M6)
291	11104002	VIEW PORT BUSHING-ACCESS DOOR
311	22320002	GASKET-DECK (M1, M2)
311	22320003	GASKET-DECK (M3, M4, M5, M6)
331	10736201	COVER-HIGH VOLTAGE BOX
371	22309502	FLUE PIPE (QTY 2)
451	M0501301	PIPE GROMMET
491	M0570808	BUTTON PLUG (QTY 4)
511	M0570807	BUTTON PLUG
601	A4691701	GROMMET (QTY 2)
621	M0310345	BUTTON PLUG (QTY 2)
741	B1392104	UNIVERSAL BUSHING UB 875 (QTY 2)

Image 2:

12	10254303	RUBBER COUPLING (QTY 2)
22	A3326002	HOSE CLAMP (QTY 4)
32	M0119207	HOSE CLAMP
42	M0570807	BUTTON PLUG (QTY 2)
62	20201901	DRAIN HOSE
72	20201802	DRAIN TUBE (QTY 2)
82	20171701	DRAIN TRAP
112	20214203	DRAIN-ANGLE
142	M0119205	HOSE CLAMP (QTY 3)
172	M0119206	HOSE CLAMP

Expanded Model Nomenclature

M1 - GCV90704CXBA
M2 - GCV90704CXBB
M3 - GCV90905DXBA
M4 - GCV90905DXBB
M5 - GCV91155DXBA
M6 - GCV91155DXBB

Blower Assembly

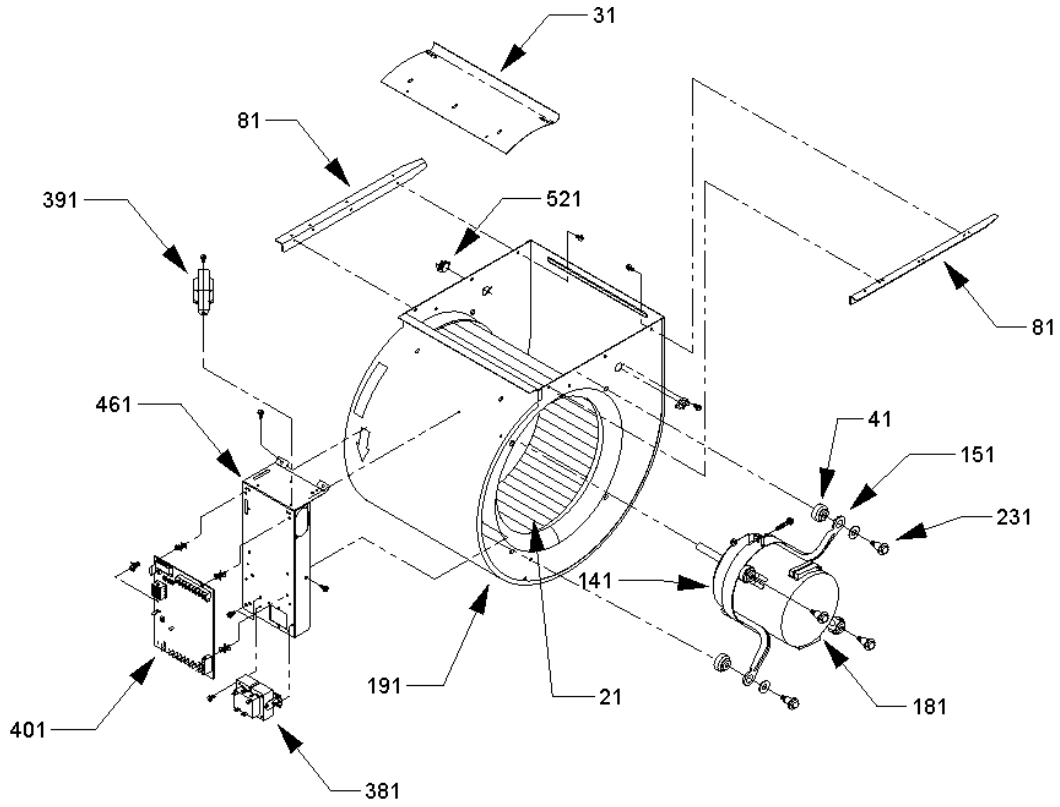
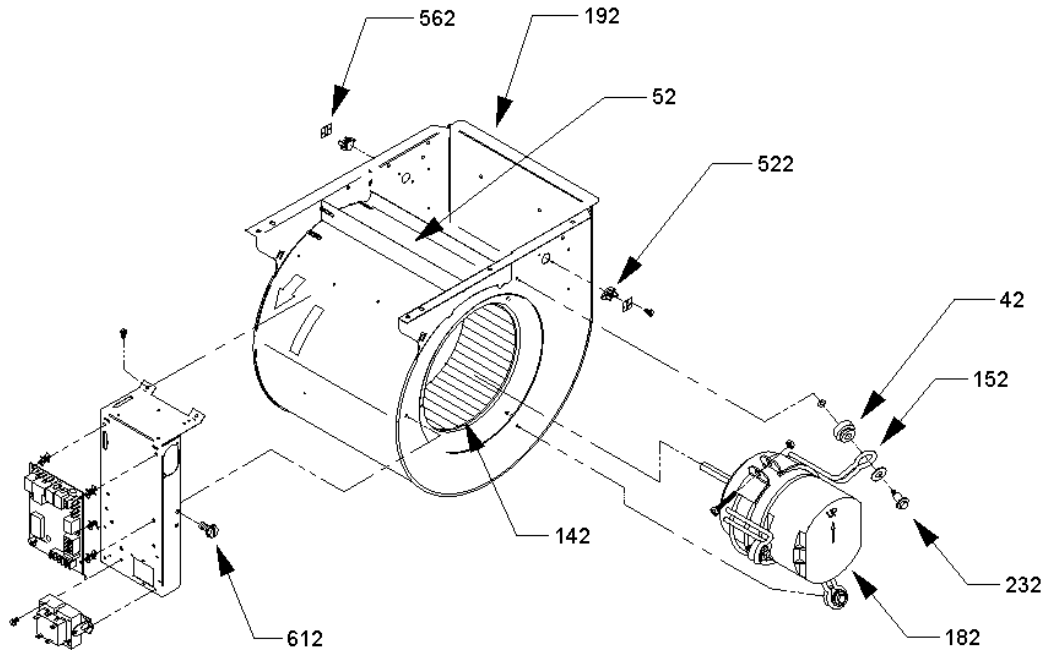


Image 1

Image 2



Blower Assembly

Ref. Part No: No:	Description:	Ref. Part No: No:	Description:
-------------------	--------------	-------------------	--------------

Image 1:

21	D6723311	BLOWER WHEEL (M3, M4, M5, M6)
31	C6121807	CUT-OFF (M3, M4, M5, M6)
41	A4002701	GROMMET (M3, M4, M5, M6)
81	20175101	RAIL-BLOWER SIDE (M3, M4, M5, M6)
141	10441601	BAND-MOTOR MOUNT (M3, M4, M5, M6)
151	10441501	ARM-MOTOR MOUNT (M3, M4, M5, M6)
181	20510319	MOTOR-1 HP PROGRAMMED (M3, M4)
181	20510321	MOTOR-1 HP PROGRAMMED (M5, M6)
191	0271F00047	ASSY-BLOWER HOUSING 11 X 10 (M3, M4, M5, M6)
231	M0221461	TC SCREW (M3, M4, M5, M6)
381	B1141605	TRANSFORMER 120V TO 24V, 40VA
391	20218901	INDUCTOR COIL
401	B1809927S	BOARD, IGNITION, HSI, 2 STAGE
461	0121F00025P	CONTROL BRACKET
521	10123536	LIMIT-RESET MANUAL 180°F (M3, M4, M5, M6)
NS	0159F00004	WIRING HARNESS
NS	11118705	WIRING HARNESS
NS	20275905	WIRING HARNESS (M1, M2, M5, M6)
NS	20275905	WIRING HARNESS (M3, M4)

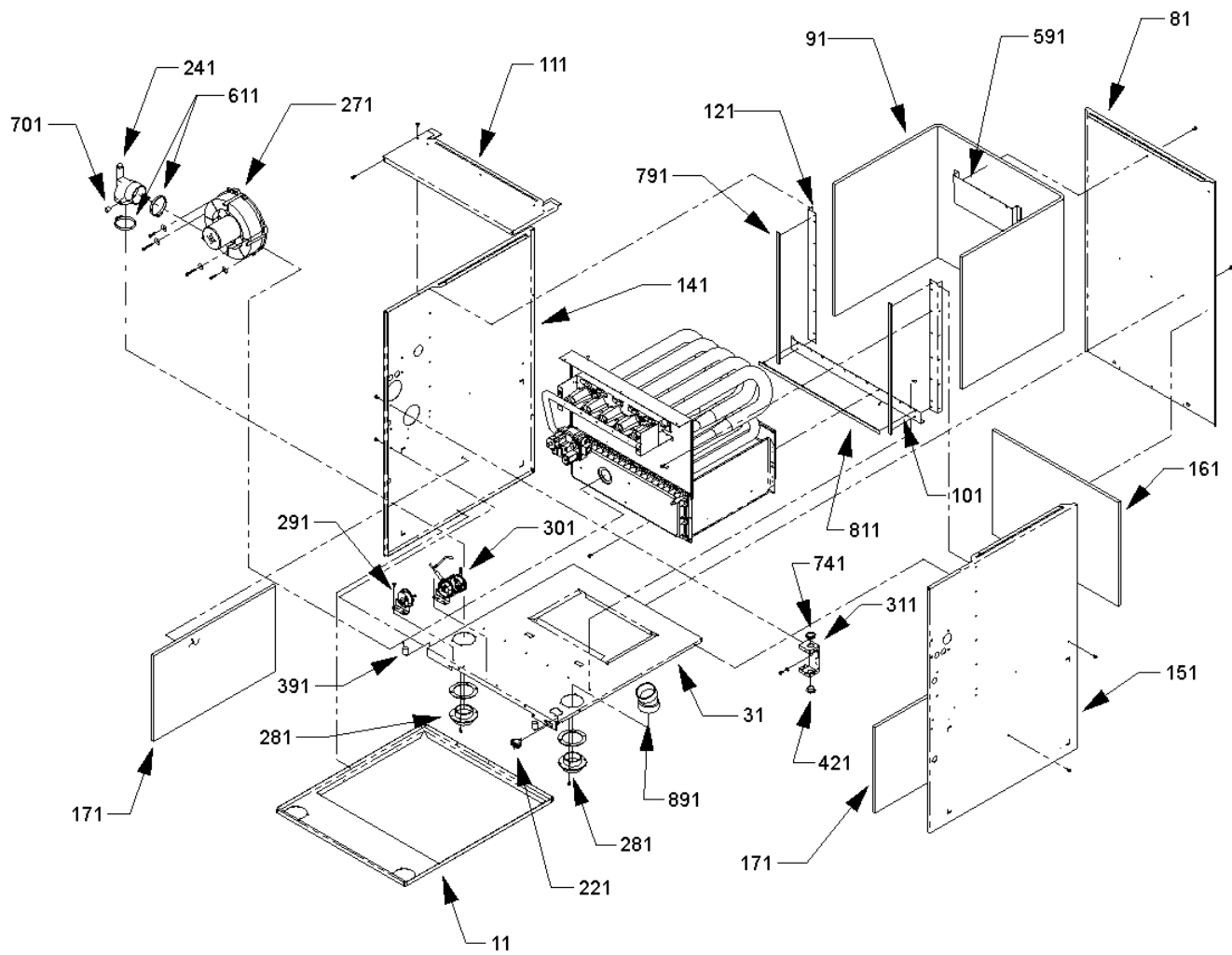
Image 2:

42	B1368047	BLOWER WHEEL 10 X 10 (M1, M2)
42	A4002702	GROMMET (M1, M2)
52	764741F	BLOWER BLOCK-OFF 10 X 10 (M1, M2)
152	C9443702	BRACKET-MOTOR MOUNT (M1, M2)
182	20509426	MOTOR-3/4 HP PROGRAMMED (M1, M2)
192	0271F00004P	ASSY-BLOWER HOUSING 10 X 10 (M1, M2)
232	M0221461	TC SCREW (M1, M2)
522	10123534	LIMIT-RESET MANUAL 220°F (M1, M2)
562	2509503F	BRACKET-ROLLOUT SWITCH (M1, M2)
612	M0250558	TC SCREW (M1, M2)

Expanded Model Nomenclature

M1 - GCV90704CXBA
M2 - GCV90704CXBB
M3 - GCV90905DXBA
M4 - GCV90905DXBB
M5 - GCV91155DXBA
M6 - GCV91155DXBB

Chassis



Chassis

**Ref. Part
No: No:**

Description:

**Ref. Part
No: No:**

Description:

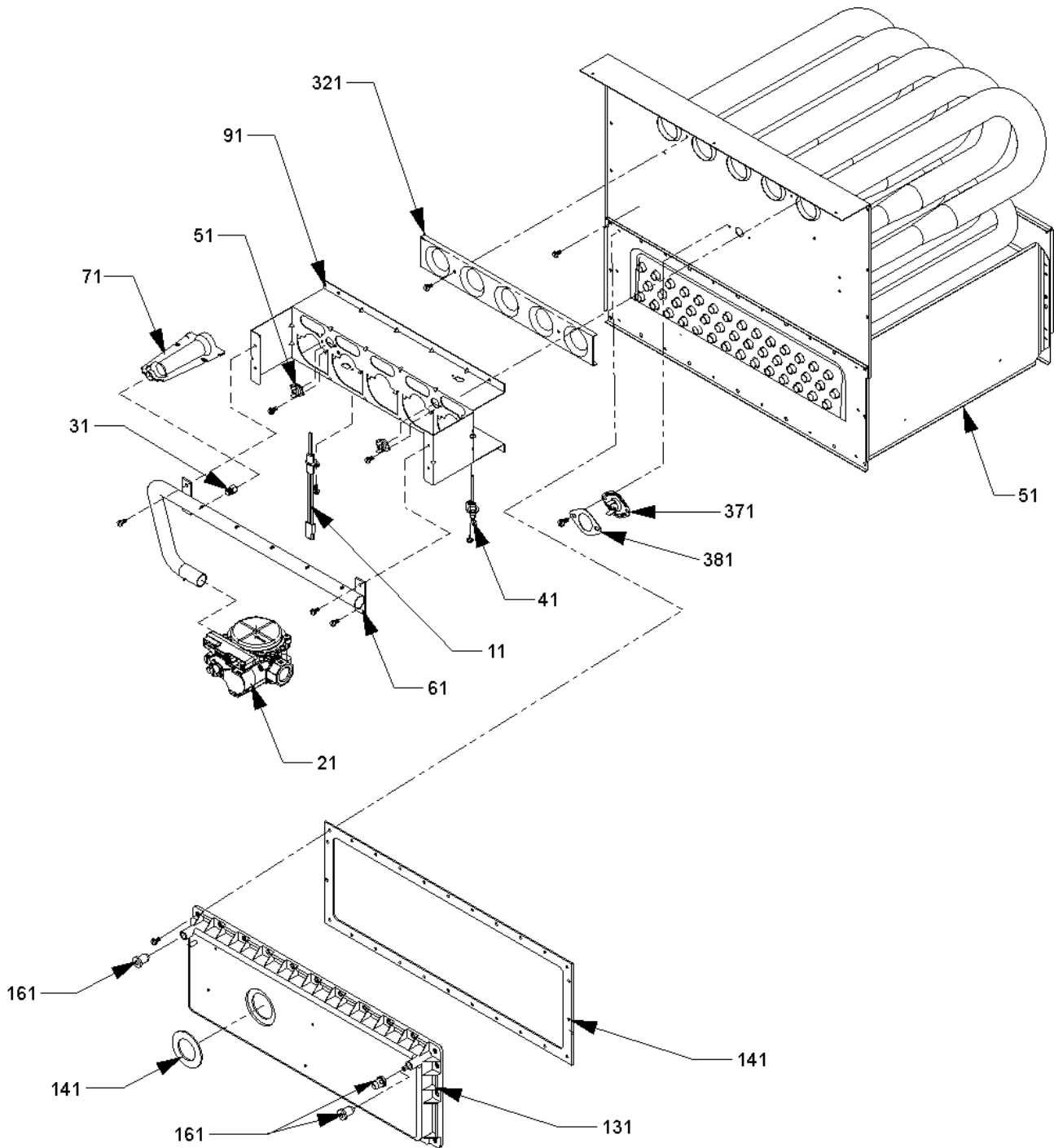
Image 1:

11	20273510	BASEPAN (M1, M2)
11	20273512	BASEPAN (M3, M4, M5, M6)
31	0121F00046	BLOWER DECK 21" (M1, M2)
31	0121F00049	BLOWER DECK 24.5" (M3, M4, M5, M6)
81	20273216	BACK PANEL (M1, M2)
81	20273218	BACK PANEL (M3, M4, M5, M6)
91	C6415909	INSULATION-HEAT EXCHANGER (M3, M4, M5, M6)
91	C6415911	INSULATION-HEAT EXCHANGER (M1, M2)
101	0121F00019P	DECK RAIL (M1, M2)
101	20191303	DECK RAIL (M3, M4, M5, M6)
111	0270F00104P	ASSY-TOP COVER (M1, M2)
111	0270F00105P	ASSY-TOP COVER (M3, M4, M5, M6)
121	20191603	SIDE RAIL (M1, M2)
121	20191604	SIDE RAIL (M3, M4, M5, M6)
141	0121F00036PDG	PANEL-SIDE LH
151	0121F00034PDG	PANEL-SIDE RH
161	20006602	INSULATION (M1, M2)
161	20006603	INSULATION (M3, M4, M5, M6)
171	20006604	SIDE INSULATION (QTY 2)
221	10690402	INTERLOCK SWITCH
241	20171802	ELBOW
271	20245903	ID BLOWER
281	20049701	FA COUPLING (QTY 2)
291	20197313	PRESSURE SWITCH
301	11177118	PRESSURE SWITCH
311	10736102	BOX-HIGH VOLTAGE
391	M0275521	PLASTIC SEALER (QTY 2)
421	A4554801	SNAP BUSHING
591	11165107	SHIELD-ID BLOWER
611	A3326002	HOSE CLAMP (QTY 2)
701	M0326804	TUBE PLUG
741	B1392104	UNIVERSAL BUSHING UB 875 (QTY 2)
811	20194606	GASKET (M1, M2)
811	20194607	GASKET (M3, M4, M5, M6)
891	C6455901	ELBOW-22 1/2 ELL
NS	0164M00002	HOSE-PRESSURE SWITCH (QTY 2)
NS	0164M00003	HOSE-PRESSURE SWITCH
NS	0164M00011	HOSE-PRESSURE SWITCH (M1, M2)
NS	0164M00013	HOSE-PRESSURE SWITCH (M3, M4, M5, M6)

Expanded Model Nomenclature

M1 - GCV90704CXBA
M2 - GCV90704CXBB
M3 - GCV90905DXBA
M4 - GCV90905DXBB
M5 - GCV91155DXBA
M6 - GCV91155DXBB

Heat Exchanger Assy/Manifold/Gas Valve



Heat Exchanger Assy/Manifold/Gas Valve

Ref. Part No: No:	Description:	Ref. Part No: No:	Description:
-------------------	--------------	-------------------	--------------

Image 1:

11	0130F00008	IGNITOR-SINI 17 SEC
21	0151F00000P	GAS VALVE
31	10716003	ORIFICE (QTY AR)
41	0130F00010	FLAME SENSOR
51	0257F00157S	ASSY-HEAT EXCHANGER 3B (M1, M2)
51	0257F00154S	ASSY-HEAT EXCHANGER 4B (M3, M4)
51	0257F00162S	ASSY-HEAT EXCHANGER 5B (M5, M6)
51	10123517	LIMIT-RESET MANUAL 210°F (M3, M4, M5, M6)
61	20196402	MANIFOLD (M1, M2)
61	20196403	MANIFOLD (M3, M4)
61	20196404	MANIFOLD (M5, M6)
71	10735102	BECKETT BURNER (QTY AR)
91	20190411	BRACKET-BURNER 3B (M1, M2)
91	20190412	BRACKET-BURNER 4B (M3, M4)
91	20190413	BRACKET-BURNER 5B (M5, M6)
121	20194606	GASKET (M1, M2)
121	20194607	GASKET (M3, M4, M5, M6)
131	20170901AS	FRONT COVER (M1, M2)
131	20171004AS	FRONT COVER (M3, M4, M5, M6)
141	0154F00001P	GASKET (M1, M2)
141	0154F00002P	GASKET (M3, M4, M5, M6)
141	20179307	GASKET (M3, M4, M5, M6)
141	20179310	GASKET (M1, M2)
151	10123534	LIMIT-RESET MANUAL 220°F (M1, M2)
161	M0326804	TUBE PLUG (QTY 3)
321	11072202	ORIFICE SHIELD (M1, M2)
321	11072203	ORIFICE SHIELD (M3, M4)
321	11072204	ORIFICE SHIELD (M5, M6)
371	20162905	LIMIT-PRIMARY (M5, M6)
371	20162903	LIMIT-PRIMARY 160°F (M1, M2)
371	20162908	LIMIT-PRIMARY 170°F (M3, M4)
381	10236702	WINDOW FRAME

Expanded Model Nomenclature

M1 - GCV90704CXBA
M2 - GCV90704CXBB
M3 - GCV90905DXBA
M4 - GCV90905DXBB
M5 - GCV91155DXBA
M6 - GCV91155DXBB