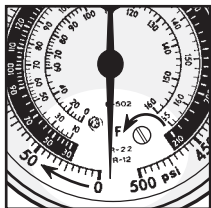


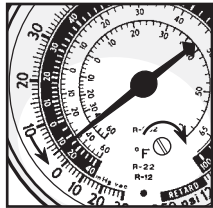
Each gauge is individually tested and calibrated prior to shipment. Due to its sensitivity, the gauge may need to be "zeroed in" prior to usage.

Adjusting Gauge Recal to Zero

1. Remove lens plug.
2. Turn recal screw **slightly** in the opposite direction that pointer is to be moved. Maximum recal screw adjustment is 1/2 turn. Over adjustment will permanently destroy calibration.
3. Replace lens plug.



Turn recal screw counterclockwise. Pointer turns clockwise.



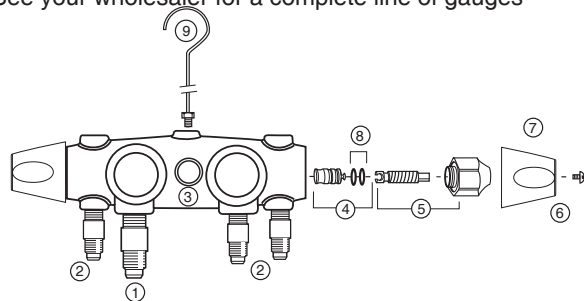
Turn recal screw clockwise. Pointer turns counter-clockwise.

Gauges are sensitive instruments.

Over adjustment and/or being subjected to pressures over dial range are not covered under warranty terms.

REPAIR PARTS

See your wholesaler for a complete line of gauges



REF. NO.	PART NO.	DESCRIPTION
1	U1-6B	3/8" Intake
2	U1-4A	1/4" Intake
3	MR-520	Sight Glass
4	MR-605	Piston w/Seat & O-Rings
5	MR-607	Stem & Nut
6	MR-601	Handwheel & Screw
7	MR-503	Handwheel Screws (2)

REF. NO.	PART NO.	DESCRIPTION
8	MR-509	O-Ring (2)
9	M2-102N	Hanging Hook

PLATINUM™



DEEP VACUUM PUMPS

Featuring
Heavy Duty,
High Performance
1/2 HP, 60 Cyc Motor

DV-42N	1.5 CFM
DV-85N	3 CFM
DV-142N	5 CFM
DV-200N	7 CFM
DV-285N	10 CFM

Also Available With
Dual Voltage Motors

Technical service: 800-323-0811
E-Mail: sales@jbind.com
Web Site: www.jbind.com



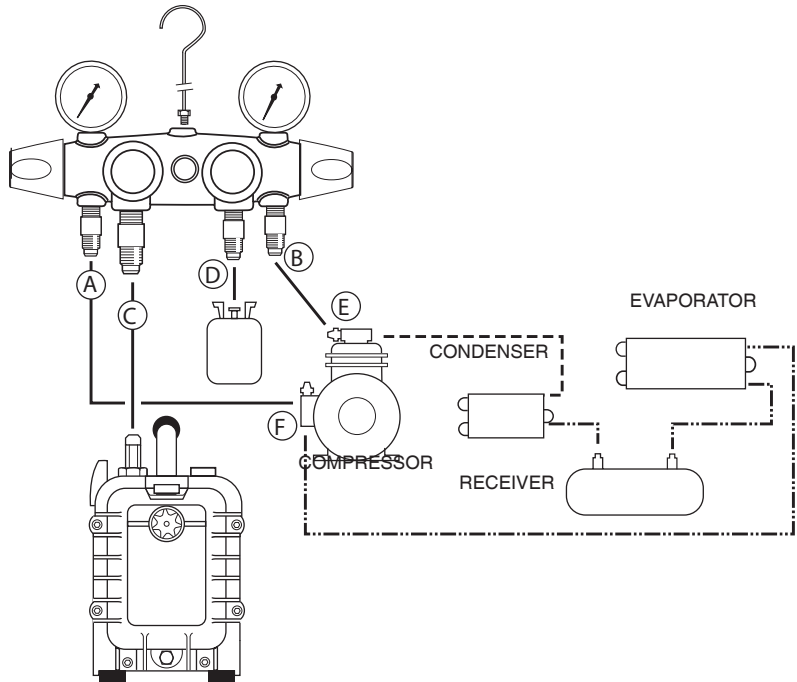
CHARGING AND TESTING ZEPPELIN™ 4-Valve Manifold

With Free
Floating,
Double O-Ring
Piston Seal



©2006 JB Industries Inc.

LIMITED WARRANTY
INSTRUCTIONS PARTS LIST



Directions For Use

Caution: Always consult equipment manufacturer's service manual or instruction sheet for recommended procedures.

	MANIFOLD				COMPRESSOR	
	A	B	C	D	E	F
	Low Side Blue	High Side Red	Evacuation Port Black	Charging Port Yellow	Discharge Service Valve Red	Suction Service Valve Blue
To Observe Operating Pressures	Closed	Closed	Closed	Closed	Back Seated & Cracked Open	Back Seated & Cracked
To Charge Refrigerant Through Suction Valve	Open	Closed	Closed	Open	Back Seated & Cracked Open	Front Seated
To Charge Oil Through Suction Valve	Open	Closed	Open	Closed	Back Seated	Front Seated
To Charge Liquid Refrigerant Through Discharge Valve	Closed	Open	Closed	Open	Midway Open	
To Build Low Pressure; For Control Setting Or Leak Detecting	Open	Open	Closed	Closed	Back Seated & Cracked Open	Midway Open
To Purge Refrigerant From Discharge Valve	Closed	Open	Closed	Open	Back Seated & Cracked Open	
To Evacuate With Vacuum Pump	Open	Open	Open	Closed	Midway Open	Midway Open

LIMITED WARRANTY

Manifold bar has a lifetime warranty, while the components, i.e. gauges, hoses, handles, hose holders, etc. are covered under the limited warranty policy. Products are warranted for a period of one year from date of shipment by JB and limited to repair, replacement or credit, if in our opinion are defective due to workmanship and/or materials. Defective components should be returned to the wholesaler from which the product was purchased for evaluation.

Manifolds are designed for use with all refrigerants except ammonia (R-717). Working pressures are limited to gauge dial range. Use of this manifold under any other conditions voids the warranty.

FOR PROFESSIONAL USE ONLY

JB manifolds are designed for use by technically trained AC/R service engineers only. Due to the high pressures encountered in all systems that this manifold will be used on, plus the dangers due to the physical and chemical nature of refrigerants and oils present in all systems, misapplication could result in injury or death.