

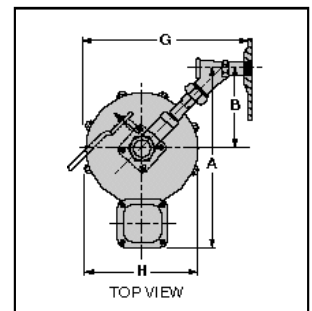
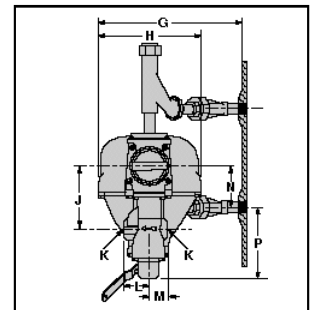
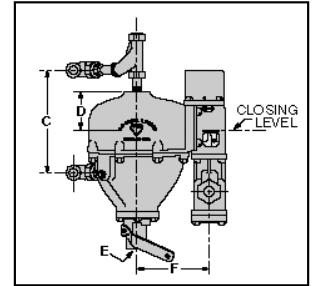
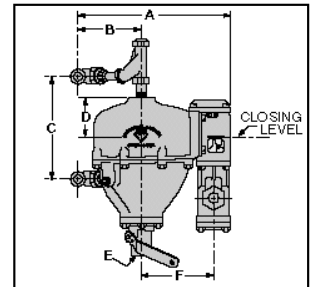
Water Feeders – Mechanical

Series 47/47-2



Mechanical Water Feeders/Low Water Cut-Offs

- For steam and hot water boilers with **cold water feed**
- Continuous maintenance of **minimum safe water level**, independent of electrical service
- Proportional feed action
- Quick hook-up fittings provided
- Quick-change replaceable cartridge valve and strainer
- Optional features
 - No. 2 switch
 - Manual reset
- Model 47 can be field upgraded with a No. 2 switch to add low water cut-off function
- Maximum water supply pressure 150 psi (10.5 kg/cm²)
- Maximum inlet water temperature 120°F (49°C)
- Maximum boiler pressure 25 psi (1.8 kg/cm²)



Electrical Ratings

Voltage	Motor Switch Rating (Amperes)		Pilot Duty
	Full Load	Locked Rotor	
120 VAC	10.2	61.2	125 VA at 120 or 240 VAC 60 Hz
240 VAC	5.1	30.6	

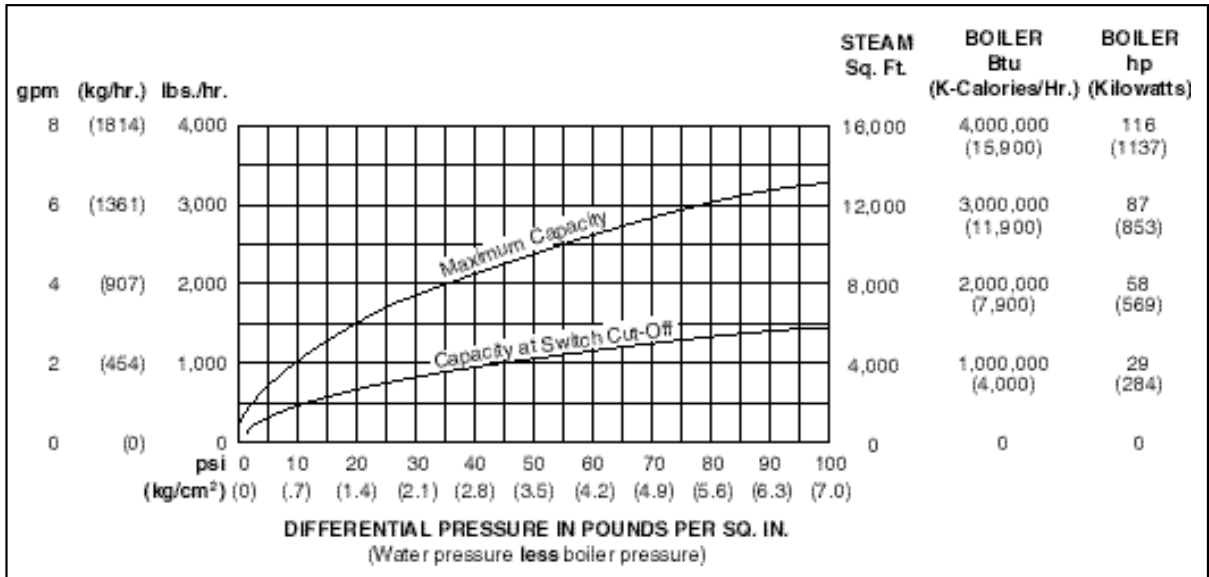
Dimensions, in. (mm)

A	B	C	D	E NPT	F	G
1 11/16 (302)	5 1/4 (133)	7 7/8 (187) min. 14 (356) max.	2 5/8 (67)	3/4	5 1/2 (130)	10 5/8 (270)
H	J	K NPT	L	M	N	P
7 5/16 (186)	4 5/8 (117)	1/2	1 29/32 (58.4)	1 13/32 (35.7)	3 (76)	5 5/16 (135)

Water Feeders – Mechanical

Series 47 (continued) Mechanical Water Feeders

Capacities



Ordering Information

Model Number	Part Number	Description	Weight lbs. (kg)
47	132700	Mechanical water feeder	27.5 (12.5)
47-2	132800	47 w/No. 2 switch	28.5 (13.0)
47-2-M	132900	47-2 w/manual reset	28.5 (13.0)
47-X	133400	47 w/o quick hook-up fittings	25.0 (11.4)
47-2X	176212	47-2 w/o quick hook-up fittings	26.0 (11.8)