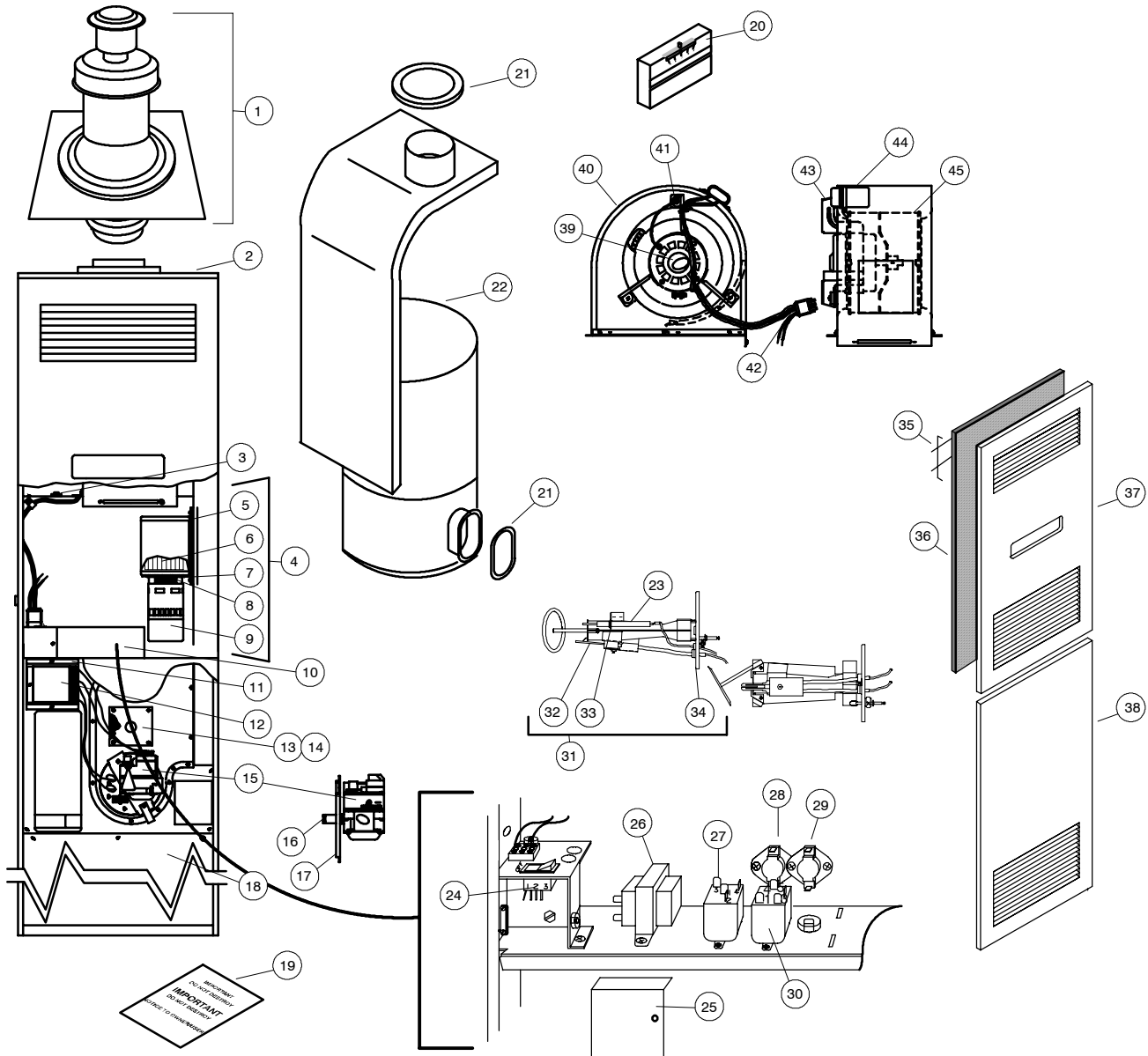


REPAIR PARTS LIST

HSI Gas DownFlow Furnace — DGAM, DGAT, DLAS Series

Model No.	Factory Equipped for use with:	Input/BTUH
DGAM056BDC	NATURAL GAS	56,000
DGAM075BDC	NATURAL GAS	75,000
DGAT056BDC	NATURAL GAS	56,000
DGAT070BDC	NATURAL GAS	70,000
DGAT075BDC	NATURAL GAS	75,000
DLAS056BDC	PROPANE	56,000
DLAS075BDC	PROPANE	75,000



CODE	USED ON MODEL	NO. REQ.	PART NUMBER	DESCRIPTION	VENDOR	
—	All	X	8B2461	Enamel (Spray 15 oz. Almond)		
1	All	1	4000 Series	Roof Jack (See Furnace Wiring Diagram)		
2	All	1	7945A5721	Casing Top		
3	All	1	7624A3591	Limit Switch (Upper) (O-180° Manual Reset)	TI TOD	#20615L5-A29 #60T14 (205732)
4	All	1	7995-6451	Booster Assembly (Includes Code 5 - 9)		
5	All	1	7995A386	Booster Gasket		
6	All	1	8865-3611	Impellor (3 13/16 x 1 7/8 x 3/8)	Torr.	#AA326-128
7	All	1	8865A1471	Mount Plate (Booster Motor)		
8	All	1	8865B1281	Motor Mount (Rubber 4/Pkg.)		

CODE	USED ON MODEL	NO. REQ.	PART NUMBER	DESCRIPTION	VENDOR
9	All	1	7995-3169	Booster Motor - 3000 RPM	Fasco #7121-2842
10	All	1	7945A1351	Cover (Control Box)	
11	All	1	7970-120	Mounting Plate (Ignition Module)	
12	All	1	1474-0061	Ignition Module (Triple Try)	RS #HS780-34NR-306A
13	All	1	7706-5251	Observation Plate (with gasket)	
14		1	7706-3251	Gasket (Observation Plate)	
15	All	1	7707-3261	Gas Valve (24V .5 Amp 1/2" x 3/8")	RS #7C5-C7F-026
16	All	1		Note: See chart for Burner Orifice Number	
17	All	1	7945B5151	Valve Bracket	
18	All	1	7656A5201	Panel (Coil Cavity 19 13/16")	
19	All	1	1973-072/A	Customer Envelope	
20	All	1	7670-368P	Thermostat (Adj. Ant.)	RS #65A-943-462
21	All	1	7945-3011	Gasket Pkg. (Heat Exchanger)	
22	056 070, 075	1	7956-5751 7975-5751	Heat Exchanger (with Gaskets) Heat Exchanger (with Gaskets)	
23	All	1	7975-3881	Remote Sensor	
24	All	1	7681-3301	System Switch	Carling #RC901-RB
25	All	1	7956-1121	Junction Box Cover	
26	DGAM, DGAT DLAS	1	2940A3541 7945-3551	Transformer (115-24V 40VA) Transformer (115-24V 15VA)	JARD #TA151224-B11
27	All	1	7956-3671	Booster Relay	RBM #134-40102-101D
28	All	1	7975-3281	Fan Switch (C-110° O-90°)	TOD #60T82 (200500)
29	056 070, 075	1	7945-3281 7970-3281	Limit Switch (O-140° C-110°) Limit Switch (O-145° C-115°)	EX #402-679 EX #402-680
30	All	1	7975-3771	A/C Relay	RBM 134-20103-301D
31	All	1	7970-5851/A	Burner Assembly (Less Gas Valve - Includes Codes 12, 13, 17)	
32	All	1	1474-0521	Hot Surface Ignitor	Norton #201N(W)
33	All	1	7970-179	Ignitor Shield	
34	All	1	7945-1631	Mounting Plate (Burner)	
35	All	2	7670-3451	Filter Retainer (PK'd. 2)	
36	All	1	7660-3401	Filter (19 3/8 x 35 3/4 x 1/4)	
37	DGAM DGAT, DLAS	1	7975-1561 7956-5231	Panel (Upper) Panel (Upper)	
38	DGAM, DGAT DLAS	1	7956-1571 7956-1631	Panel (Lower) Panel (Lower)	

BURNER ORIFICE CHART (Code 16)

MODEL	056	070	075
Nat.	9951-1281	9951-1491	9951-1541
LP	9951-0821	9951-0931	9951-0961

BLOWER PARTS

CODE	SERIES	DESCRIPTION	056, 070 & 075		095	
39	DGAT, DLAS	Motor	7966-311P	WEST #322P289	1468-2129	WEST #322P890
	DGAM	Motor	1468-2209		1468-2209	
40		Scroll	7966A530		7966A530	
41		Motor Mount (3/Pkg.)	7670-3551		7670-3551	
42		Connector Plug	7680-348		7680-348	
43		Motor Clamp	7670-5391		7670-6391	
44		Run Capacitor	None		1499-4461 7.5 Mfd. 370V.	
45		Blower Wheel (10 5/8 Dia. x 7 1/8 x 1/2)	1472-2751	TORIN #CM1020-704-5	1472-2751	TORIN #CM1020-704-5
				LAU #027855-10		LAU #027855-10
				MORR #03-42001-0		MORR #03-42001-0

NOTE: All parts with three digit suffix numbers are "Special Order" Parts. These parts are subject to factory availability and require extra time for delivery.

Evcon Industries, Inc.

3110 North Mead
P.O. Box 19014
Wichita, KS 67204-9014

1973-098 Rev. 1 (12/94).
Evcon

LITHO IN U.S.A.