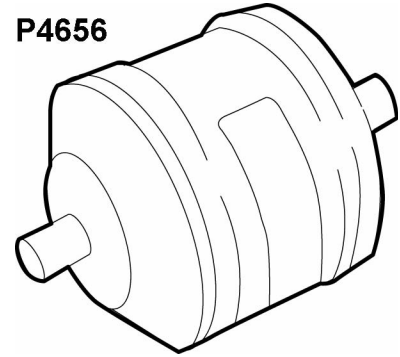


DAMPENER/MUFFLER

APD PULSATION DAMPENER/MUFFLER

APPLICATION

The noise characteristics of some refrigeration and air conditioning systems are unpredictable. Different line sizes, operating pressures, piping configurations and the compressor and unit mounting all contribute to noise generated by the system. Occasionally these conditions will result in undesirable sound and vibration. Gas pulsation and resonant frequencies encountered in a particular system may warrant the use of an APD discharge line muffler which may greatly reduce unwanted noise and vibration. The purpose of the muffler is to reduce the gas pulsation in the discharge line. APD's are available with or without internal baffles. The APD's internal baffles act as a restrictor to further increase the pressure drop thus creating an even flow of gas and reducing noise. As a general rule, smaller mufflers with a greater pressure drop are usually more effective at dampening pulsations, while larger mufflers are more effective at lowering the overall level of compressor discharge noise. Many times, with problem applications, trial and error may be the only guide. The table lists sizes within the recommended capacity range. The size suggested will normally smooth out pulsations and reduce noise. It should be noted that the performance of a given muffler can only be determined by an actual test under normal operating conditions. The APD should be installed on the discharge line as close to the compressor as possible for maximum benefit.



SPECIFICATIONS

- Maximum working pressure: 05-16 600 psig
30-75 500 psig
- Operating range: -40°F to +200°F
- UL listed File No.: SA 5760
- CSA certified File No.: LR32462

FLOW CAPACITY

| FITTING SIZE | TONS |
|--------------|-------|
| 1/4 | 1-5 |
| 3/8 | 5-10 |
| 1/2 | 10-20 |
| 5/8 | 15-25 |
| 7/8 | 25-35 |
| 1-1/8 | 35+ |

FEATURES

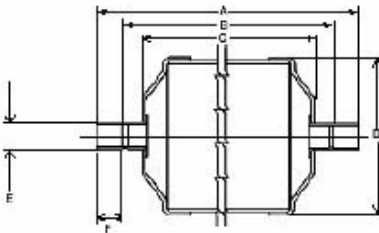
- Compact size
- Full flow fittings
- Solid copper fittings
- Corrosion-resistant finish
- Rugged steel shells for shock resistance

NOMENCLATURE

Example: APD 053 SB

| APD | 05 | 3 | S | B |
|--------------------|--------------|----------------------|--------------|----------------------------------|
| Pulsation Dampener | Cubic Inches | Fitting Size in 1/8" | ODF Fittings | With Baffles (omit for standard) |

DIMENSIONAL DATA



P4656A

ORDERING INFORMATION

| PART NO | DESCRIPTION | DIMENSIONS | | | | | |
|--------------|-------------|------------|--------|---------|--------|-------|-----|
| | | A | B | C | D | E | F |
| ALC-061862** | APD 1R | 6 | 5 | 4-15/32 | 3-1/64 | 1/2 | 1/2 |
| ALC-049651 | APD054 S-B | 4-9/16 | 3-9/16 | 3 | 2-5/8 | 1/2 | 1/2 |
| ALC-059144 | APD 163 S | 6-1/4 | 5-3/8 | 4-3/4 | 2-5/8 | 3/8 | 3/8 |
| ALC-049623 | APD 163 S-B | 6-1/4 | 5-3/8 | 4-3/4 | 2-5/8 | 3/8 | 3/8 |
| ALC-060119** | APD 165 S-B | 6-9/16 | 5-5/16 | 4-3/4 | 2-5/8 | 5/8 | 5/8 |
| ALC-056989 | APD 309 S | 10-1/4 | 8-7/16 | 7-1/2 | 3-1/8 | 1-1/8 | 7/8 |

**Standard Product Offering. *Product Code Number