

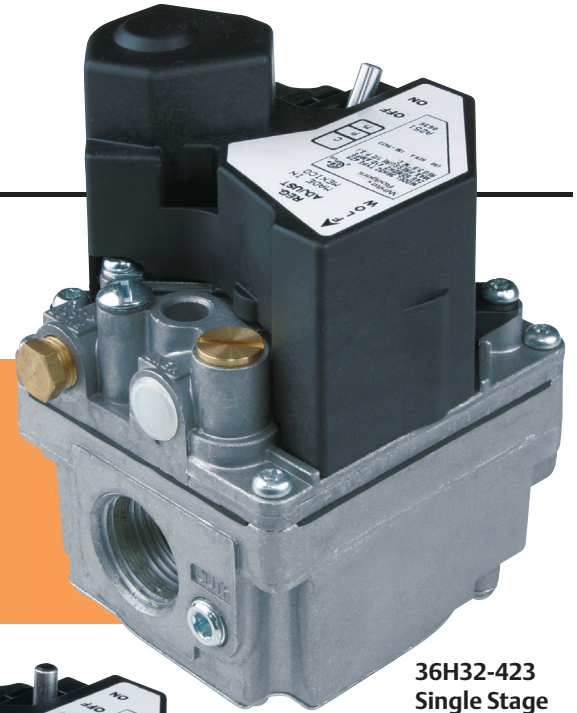
# 36H Series

## Universal Electronic Ignition Gas Valves

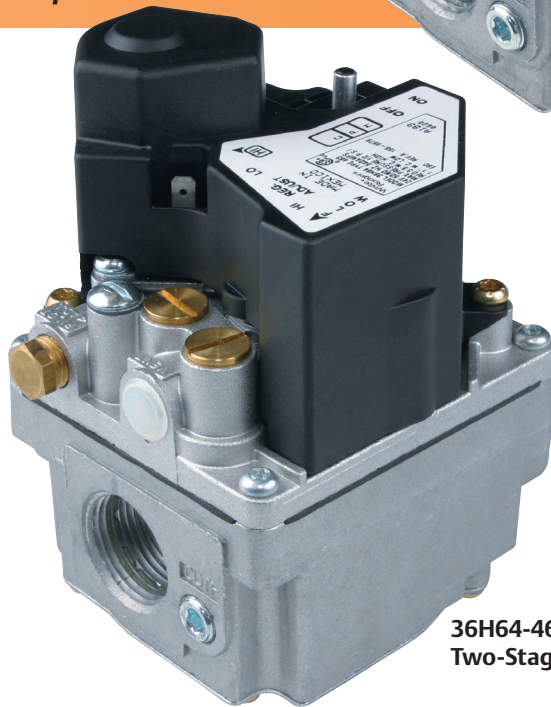
HSI / DSI / Proven / Intermittent Pilot  
Single Stage / Two-Stage

Fast / Slow Opening

Max. Capacity @ 1" PD – 300,000 BTU/HR



36H32-423  
Single Stage



36H64-463  
Two-Stage

### *Backed with Tools to Help Specify, Sell and Install Faster*

#### Updated Packaging Includes

- Clear application description
- Key features and specifications
- Popular model cross reference printed on box
- QR code access for latest cross reference
- Updated installation instructions with wiring diagrams (in English, French and Spanish)

#### Complete Online Cross Reference

- Full cross reference for White-Rodgers and competitive gas valves

The versatile 36H Series gas valves cover a wide range of applications. Designed for use with most electronic ignition systems (HSI/DSI/Proven Pilot), it replaces hundreds of existing models in the field. The 36H Series is our highest capacity gas valve.

***White-Rodgers is the leading manufacturer of gas valves to the OEM. When it's time to replace – replace with the same brand trusted by OEM's on their equipment!***

# 36H Series

Full Online Cross Reference



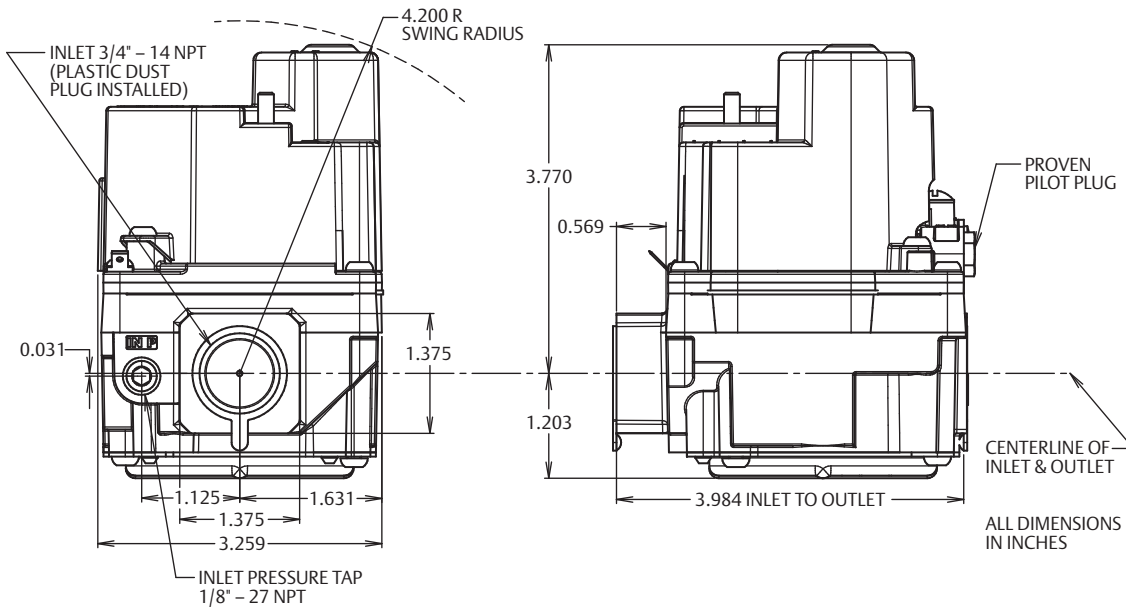
## Universal Electronic Ignition Gas Valves (HSI / DSI / Proven / Intermittent Pilot)

### Features

- Convertible – natural or LP gas
- Adjustable regulator(s)
- Inlet/outlet screens
- Electric on-off switch
- Pressure taps
- CSA approved

### Specifications

Electrical Rating .....	0.41 Amps (Single Stage) 0.54 Amps (Two-Stage)
Voltage .....	24 VAC
Frequency .....	50/60 Hz
Operating Ambient Temperature .....	-40° to 175°F (-40° to 79°C)
Pressure Rating (max.).....	1/2 PSI (14.0" W.C.)



Pipe Size (36 H)	1" PD Capacity	
	BTU/HR	
	NAT GAS 0.64 Sp. Gr. (1000 BTU/HR)	LP GAS 1.53 Sp. Gr. (2500 BTU/HR)
3/4" x 3/4"	300,000	486,000
1/2" x 3/4"	260,000	421,000

Valve Stages	Regulator Adjustment Range	
	Nat. Gas	LP Gas
Single Stage	2.5" to 5.0"	5.0" to 12.0"
Two-Stage	1.0" – 3.5" Low 2.5" – 5.0" High	4.0" – 9.5" Low 8.0" – 12.0" High

Model Number	Voltage	Type of Gas	Pipe Size	Opening Characteristics	Stages	HSI/DSI	Proven Pilot	Standing Pilot	Intermittent Pilot	Convertible Nat./LP Kit Included	Reducer Bushing Kit	Pressure Tap Inlet & Outlet
36H32-304	24 VAC	Nat./LP	1/2 x 3/4	Fast	1	Yes	Yes	No	Yes	Yes	Yes	Yes
36H32-423	24 VAC	Nat./LP	3/4 x 3/4	Fast	1	Yes	Yes	No	Yes	Yes	Yes	Yes
36H33-412	24 VAC	Nat./LP	3/4 x 3/4	Slow	1	Yes	Yes	No	Yes	Yes	Yes	Yes
36H64-463	24 VAC	Nat./LP	3/4 x 3/4	Fast	2	Yes	Yes	No	Yes	Yes	Yes	Yes
36H65-401	24 VAC	Nat./LP	3/4 x 3/4	Slow	2	Yes	Yes	No	Yes	Yes	Yes	Yes