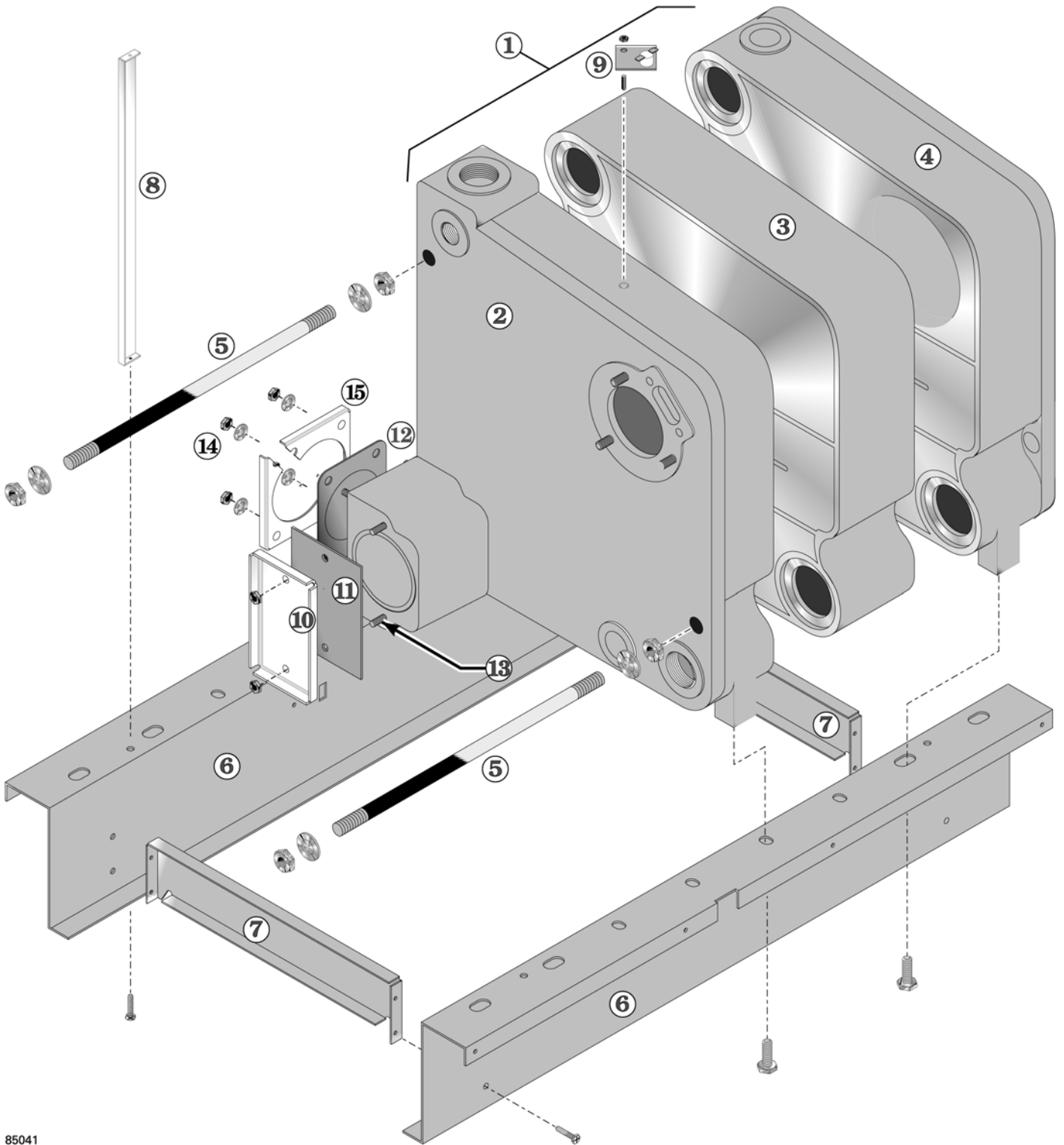


GV Series 4 Section Assembly



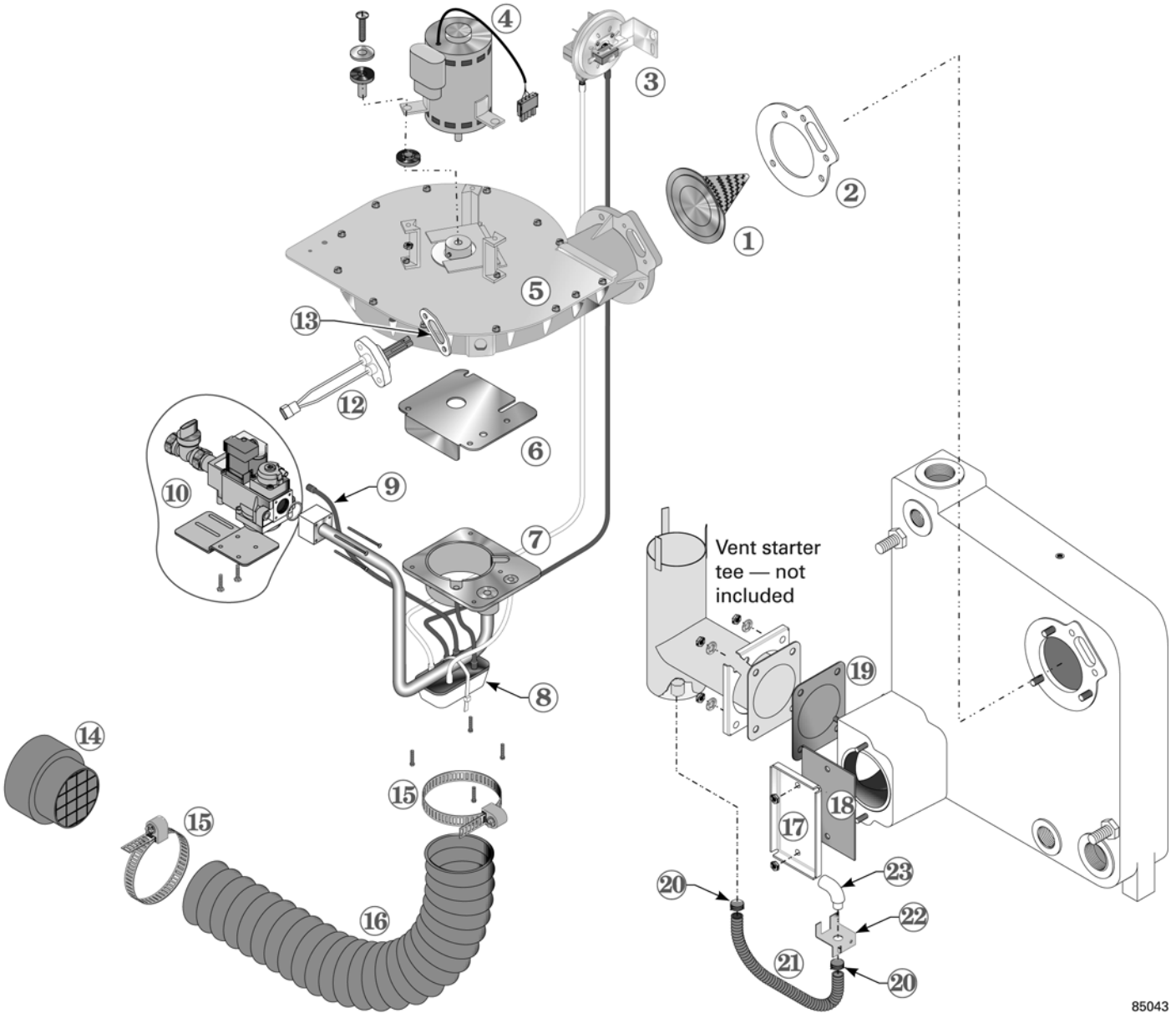
GAS

85041

GV Series 4 Section Assembly

Fig. No.	Part No.	Description	Size	Notes
1	322-200-280	Section Assembly, GV-3 (Repair Kit Required)	3	
1	322-200-281	Section Assembly, GV-4 (Repair Kit Required)	4	
1	322-200-282	Section Assembly, GV-5 (Repair Kit Required)	5	
1	322-200-283	Section Assembly, GV-6 (Repair Kit Required)	6	
	382-200-391	Repair Kit, Section Assemblies (Includes water tubing – pump to return, male adapter 1" N.P.T., blower flange gasket, ignitor, ignitor gasket, screws, studs, nuts, washers)		
2	312-200-150	Front Section 3913 (Repair Kit Required)	All	
	382-200-301	Repair Kit, Front Section (Includes square cut seals, silicone sealant, tie rod washers, water tubing – pump to return, male adapters 1" N.P.T., blower flange gasket, ignitor, ignitor gasket, screws, studs, washers, nuts)		
3	312-200-110	Intermediate Section 3915 (Repair Kit Required)	All	
4	312-200-130	Back Section 3918 (Repair Kit Required)	All	
	382-200-305	Repair Kit, Intermediate/ Back Sections (Includes square cut seals, silicone sealant, tie rod nuts, tie rod washers – 1 kit per joint)		
5	560-234-499	7/16" Tie Rod w/o Nut (2 per Boiler): GV-3 (10-1/2")	3	
5	560-234-525	7/16" Tie Rod w/o Nut (2 per Boiler): GV-4 (14")	4	
5	560-234-503	7/16" Tie Rod w/o Nut (2 per Boiler): GV-5 (18")	5	
5	560-234-504	7/16" Tie Rod w/o Nut (2 per Boiler): GV-6 (21")	6	
	561-928-235	Regular Hex Nut 7/16" (2 per Tie Rod)	All	
	562-248-684	Washer, Medium Plain Split Lock 7/16 (1 per Tie Rod)	All	
6	452-100-170	Base Rail Leg, GV-3 & 4	3 & 4	
6	452-100-172	Base Rail Leg, GV-5 & 6	5 & 6	
7	452-100-080	Base Rail Brace	All	
8	452-100-111	Blower Housing Support	All	
9	382-200-375	Block Temperature Limit Switch Kit (open 350° close 200°)	All	
10	560-907-629	Inspection Port Cover (Elmwood Sensor 2455RC 174-113 L350)	All	
11	590-317-628	Inspection Port Gasket	All	
12	590-317-629	Starter Tee Gasket	All	
13	560-340-581	Stud, 5/16" – 18 x 1.25	All	
14	Obtain Locally	Hex nuts, 4 ea, 5/16" w/nylon lockseal Washer, plain, 4 ea., 5/16"	All	
15	699-999-029	Vent starter tee reinforcing plate sections (2)	All	

GV Series 4 Blower Assembly

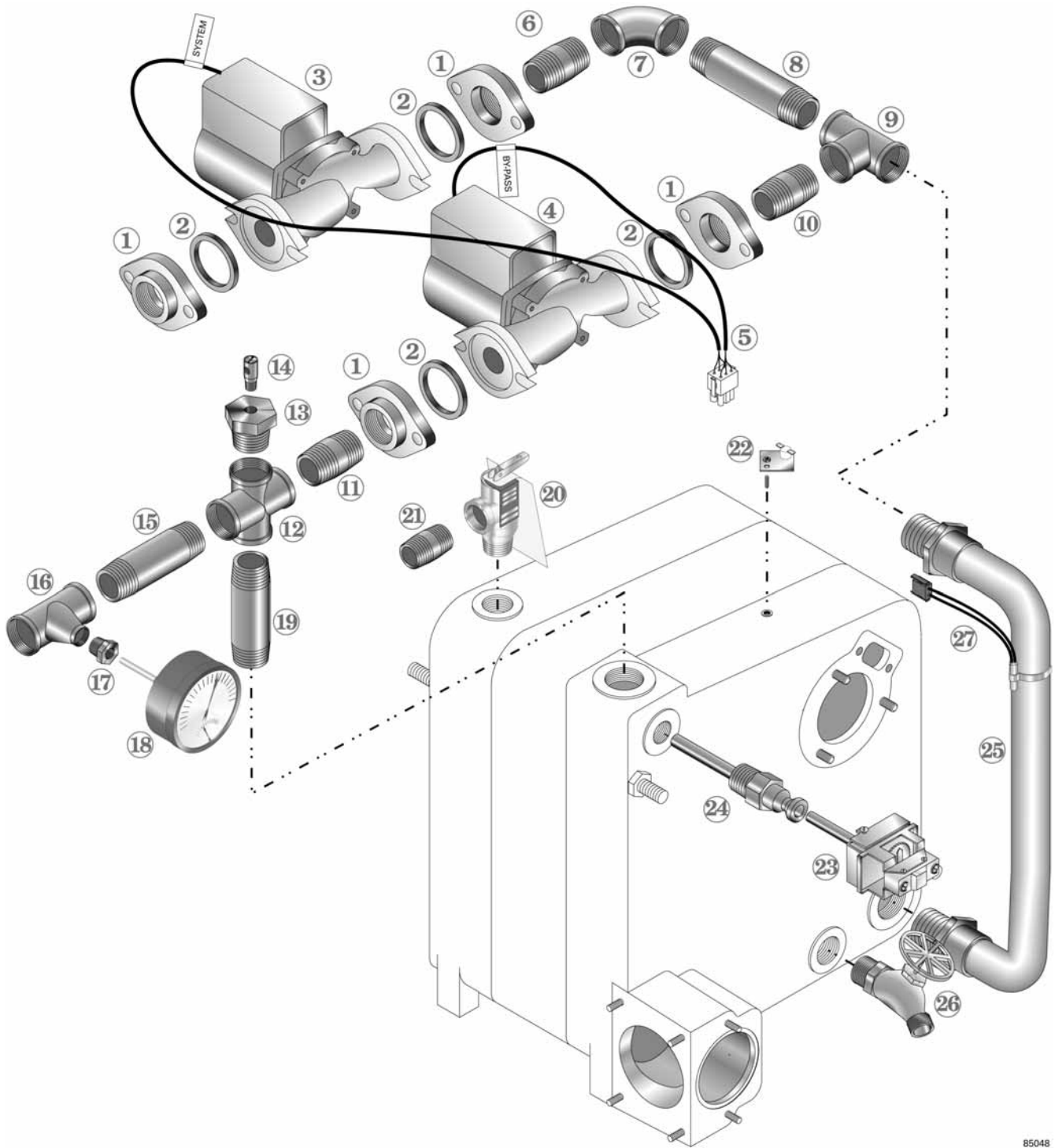


85043

GV Series 4 Blower Assembly

Fig. No.	Part No.	Description	Mfr.	Mfr's Part No.	Notes
1	382-200-320	Burner Replacement Kit GV-3 (Includes burner cone and ring assembly, blower flange gasket, igniter, igniter screws, igniter washers, igniter gasket)	Weil-McLain		
	382-200-325	Burner Replacement Kit GV-4 (Includes items listed above)	Weil-McLain		
	382-200-330	Burner Replacement Kit GV-5 (Includes items listed above)	Weil-McLain		
	382-200-335	Burner Replacement Kit GV-6 (Includes items listed above)	Weil-McLain		
2	590-317-610	Blower Flange Gasket	Weil-McLain		
3	511-624-520	Air Pressure Switch (0 – 5500' Elevation)	Tridelta	FS6330-527	
3	382-200-317	Air Pressure Switch Kit – High Altitude (5500 – 10,000' Elevation)	Tridelta	FS7008-1269	
4	382-200-345	Blower Motor Replacement Kit (Includes Blower motor, motor mount grommets, screws, lock nuts, allen wrench)	Weil-McLain		
5	382-200-340	Blower Housing Assembly Replacement Kit (Includes blower housing, observation port window, blower housing cover plate, blower motor mounting brackets, washer hold down bracket, lock nuts, motor mount grommets, blower motor (Fasco 7162-2941), blower wheel, magnetic washer, silicone sealant, screws, blower flange gasket, igniter, igniter screws, igniter washers, igniter gasket)	Weil-McLain		
6	510-811-600	Conversion Kit, Nat. to Propane (Includes propane orifice plate, label) GV-3	Weil-McLain		
	510-811-605	Conversion Kit, Nat. to Propane (Includes propane orifice plate, label) GV-4	Weil-McLain		
	510-811-610	Conversion Kit, Nat. to Propane (Includes propane orifice plate, label) GV-5	Weil-McLain		
	510-811-615	Conversion Kit, Nat. to Propane (Includes propane orifice plate, label) GV-6	Weil-McLain		
	510-811-620	Conversion Kit, Propane to Nat. (Includes natural orifice plate, label) GV-3	Weil-McLain		
	510-811-625	Conversion Kit, Propane to Nat. (Includes natural orifice plate, label) GV-4	Weil-McLain		
	510-811-630	Conversion Kit, Propane to Nat. (Includes natural orifice plate, label) GV-5	Weil-McLain		
	510-811-635	Conversion Kit, Propane to Nat. (Includes natural orifice plate, label) GV-6	Weil-McLain		
7	382-200-362	Gas/Air Manifold Assembly (Includes Gas/Air manifold, gas tubing, washers, screws, and gas valve O-ring)	Weil-McLain		
8	382-200-409	Sense Line Condensate Kit (Includes condensate trap, hoses)	Weil-McLain		
9	590-317-647	Gas Valve Tubing to Gas/Air Manifold	Weil-McLain		
10	382-200-411	Gas Valve Replacement Kit (Includes gas valve, gas cock, 1/2" nipple, mounting bracket, and gas valve O-ring)	Weil-McLain		
12	511-330-148	Igniter Replacement Kit (Includes igniter, gasket)	Weil-McLain		
13					
14	560-907-635	Inlet Air Fitting	Weil-McLain		
15	382-200-315	Kit, inlet air hose and two clamps	Weil-McLain		
17	560-907-629	Inspection Port Cover	Weil-McLain		
18	590-317-628	Inspection Port Gasket	Weil-McLain		
19	590-317-629	Starter Tee Gasket	Weil-McLain		
20	382-200-385	Hose Trap Replacement Kit, (Includes hose and 2 clamps)	Weil-McLain		
21					
22	452-100-112	Drain Bracket	Weil-McLain		
23	560-907-650	Drain Ell	Weil-McLain		
	699-999-025	GV Starter Tee available through vent manufacturer's see GV venting supplement (For other manufacturer's, see venting supplements)	Saf-T Vent	73WM STXL	
	382-200-430	Vent/Air Intake Terminal Kit S.S. (Includes Intake/Exhaust Cap, Coupling, Mounting and Backing Plate, Exhaust Tube Spacer, Anchors, Screws, and Washers)	Weil-McLain		
	382-200-406	Condensate Check Valve			
	590-317-599	Igniter gasket	Weil-McLain		

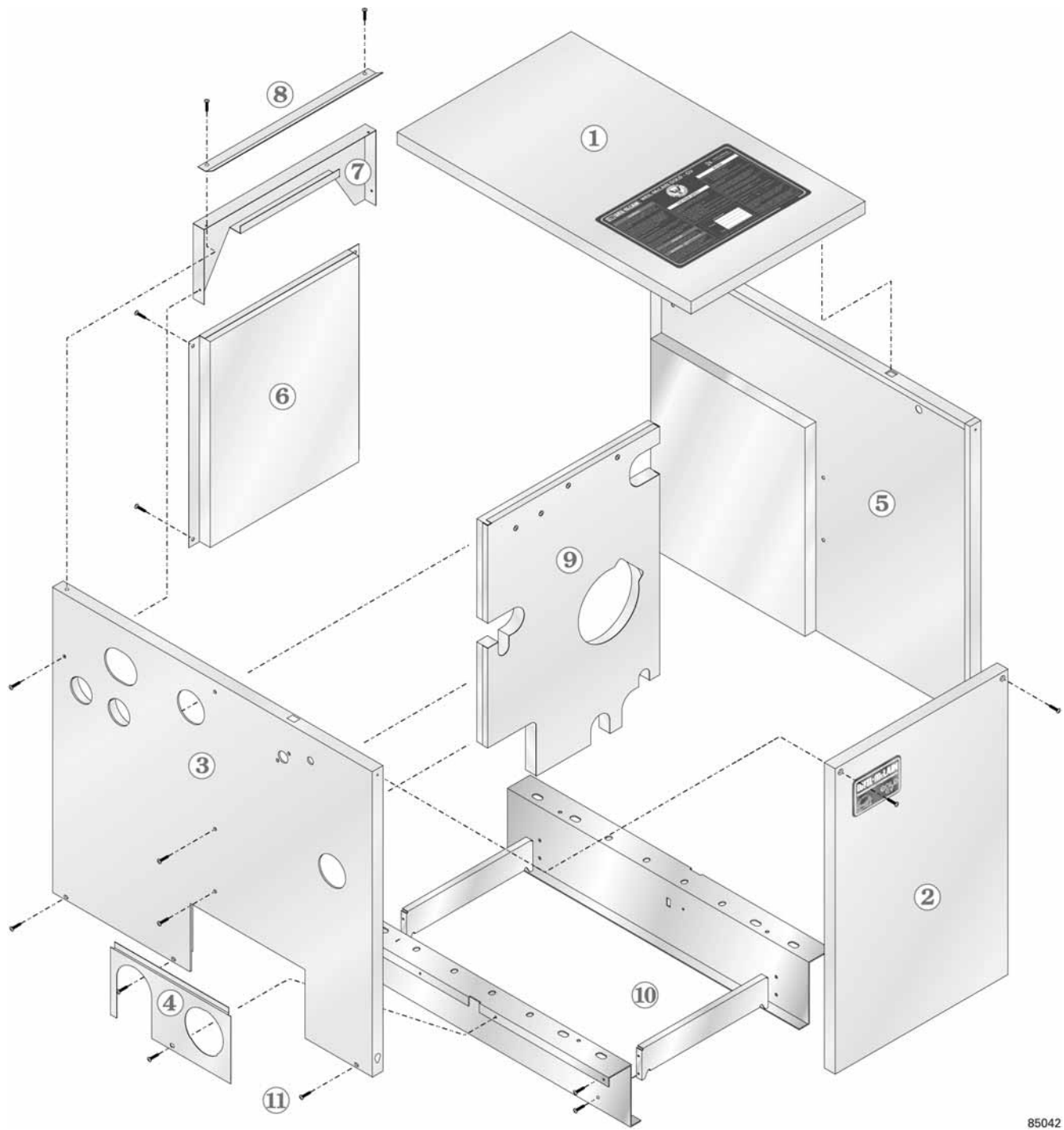
GV Series 4 Trim



85048

GV Series 4 Trim

Fig. No.	Part No.	Description	Mfg.	Mfg's Part No.	Notes
1	381-354-525	1" Universal Hardware Kit (Includes Flange, Gasket, Screws, Nuts)	Weil-McLain		
2	590-317-535	Universal Circulator Gasket	Weil-McLain		
3 & 4	511-405-113	System and Bypass Circulator, 1/25 HP, 120/60/1 Motor, 1,750 RPM	Taco	007F	
	511-405-118	System and Bypass Circulator, 1/20 HP, 120/60/1 Motor, 1,750 RPM	B & G	NRF-22	
	511-405-126	System and Bypass Circulator, 1/25 HP, 120/60/1 Motor, 1,750 RPM	Grundfos	UP15-42FR	
5	591-391-824	Wiring harness, dual circulators to control module	Weil-McLain		
6	Available Locally	Nipple, black, 1" x close			
7	Available Locally	Elbow, Black, 1"			
8	Available Locally	Nipple, Black, 1" x 4 1/2"			
9	Available Locally	Tee, Black, 1"			
10	Available Locally	Nipple, Black, 1" x close			
11	Available Locally	Nipple, Black, 1" x close			
12	Available Locally	Cross, Black			
13	Available Locally	Bushing, Black, 1" x 1/8"			
14	510-148-565	Coin Vent, 1/8" N.P.T.	Keeny	#4SN	
15	Available Locally	Nipple, Black, 1" x 3"			
16	Available Locally	Reducing Tee, Black, 1" x 1" x 1/2"			
17	Available Locally	Bushing, Black, 1/2" x 1/4"			
18	380-000-000	Combination Pressure-Temperature Gauge kit, 60° - 360° F., 0 - 75 psi, 3 1/8" Dia, 1/4" NPT, Short Shank, with 1/4" x 1/2" reducing bushing	W-M		
19	Available Locally	Nipple, Black, 1" x 4"			
20	511-546-920	Pressure relief valve, 1/4" male inlet, 30 PSIG	Watts	M330	
21	Available Locally	Nipple, Black, 1/4" x 3"			
22	382-200-375	Block temperature limit switch kit (includes bracket and switch)	Elmwood Sensor	2455RC-174-113	
			Thermodisc	36T21 style 22058	
23 & 24	510-312-021	High Limit Temperature Control, SPST, Automatic Recycle, 160-220°F Range, 30°F Fixed Subtractive Differential, 1/2" N.P.T. Brass Control Well	Honeywell	L4080 D1226	
25	560-742-938	Copper return bend, 1", Requires 2 - 1" N.P.T. x 1" sweat adapters which can be obtained locally	Weil-McLain		
26	511-246-392	Drain valve, 1/4" x 1 1/2" shank	Watts	BD-2C	
			Hammond	710	
27	511-330-089	Water temperature sensor and clamp with 12" leads	Keystone Thermometrics	JW4465	
			Universal Technology	JW4465	
	510-632-088	Fill-Trol Diaphragm Expansion Tank, (Tank Only) with "O" Ring and Machine Thread Connection to Fill Valve	Amtrol	109	
	510-632-089	Fill-Trol Diaphragm Expansion Tank, (Tank Only) with "O" Ring and Machine Thread Connection to Fill Valve	Amtrol	110	
	511-210-433	Fill Valve, Angle Style-90°, with Built-In Strainer, Pressure Reducer, Check Valve, and Manual Shut-off	Conbraco	MX3907	
	382-200-420	Fill-Trol Package Tank Kit with Fittings	Amtrol	109	
	382-200-425	Fill-Trol Package Tank Kit with Fittings	Amtrol	110	



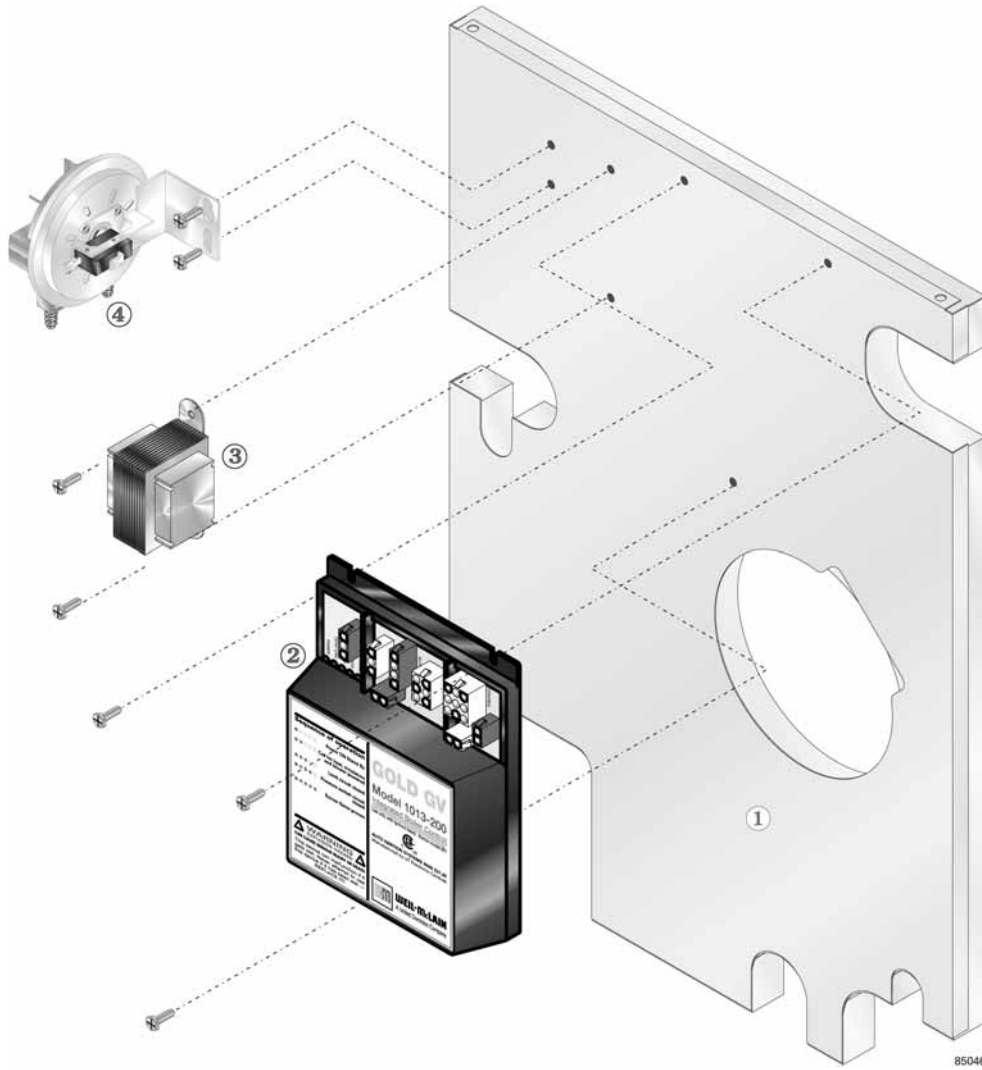
85042

GV Series 4 Jackets

Note: All Jacket Panels come with appropriate labels

Item Number	Description	Boiler Size	Part Number
1	Top panel	3	381-355-762
		4	381-355-769
		5	381-355-766
		6	381-355-770
2	Front door Less pocket	All	381-355-764
2	Pocket for front door	All	422-200-139
3	Left side panel	3	381-355-763
		4	381-355-765
		5	381-355-767
		6	381-355-768
4	Left side panel access	All	422-200-230
5	Right side panel	3 & 4	422-200-224
		5 & 6	422-200-226
6	Rear panel	All	422-200-135
7	Top rail brace	All	422-200-232
8	Top rail cross tie	All	422-200-137
9	Interior panel	All	422-200-228
10	Base rail assembly parts – See section assembly components		
11	Jacket hardware kit (Includes plastic clips for top panel)	All	569-928-025
NS	Gold touch up paint, spray can	All	592-000-000

GV Series 4 Ignition Controls



85046

Fig. No.	Part No.	Description	Mfg.	Mfg's Part No.	Notes
1	422-200-228	Interior Control Panel Less Controls	Weil-McLain		
2	382-200-448	Gold Module Conversion Kit (Includes U T module 1013-200)	Weil-McLain		
3	511-842-370	Control Transformer, 120/24 Volt with Plug-In Connectors	Honeywell	AT140B1297	
			Basler	BE111640GDD	
			Products Unlimited	4000-01V18R223	
4	511-624-520	Air Pressure Switch (0-5500' Elevation)	Tridelta	PPS10139-2818	
NS	591-391-891	Wiring Harness, Control Module to Junction Box	Weil-McLain		
NS	591-391-819	Wiring Harness, Control Module to Hot Surface Igniter	Weil-McLain		
NS	591-391-824	Wiring Harness, Control Module to System and By-Pass Circulators	Weil-McLain		
NS	591-391-919	Wiring Harness, Control Module to Controls	Weil-McLain		