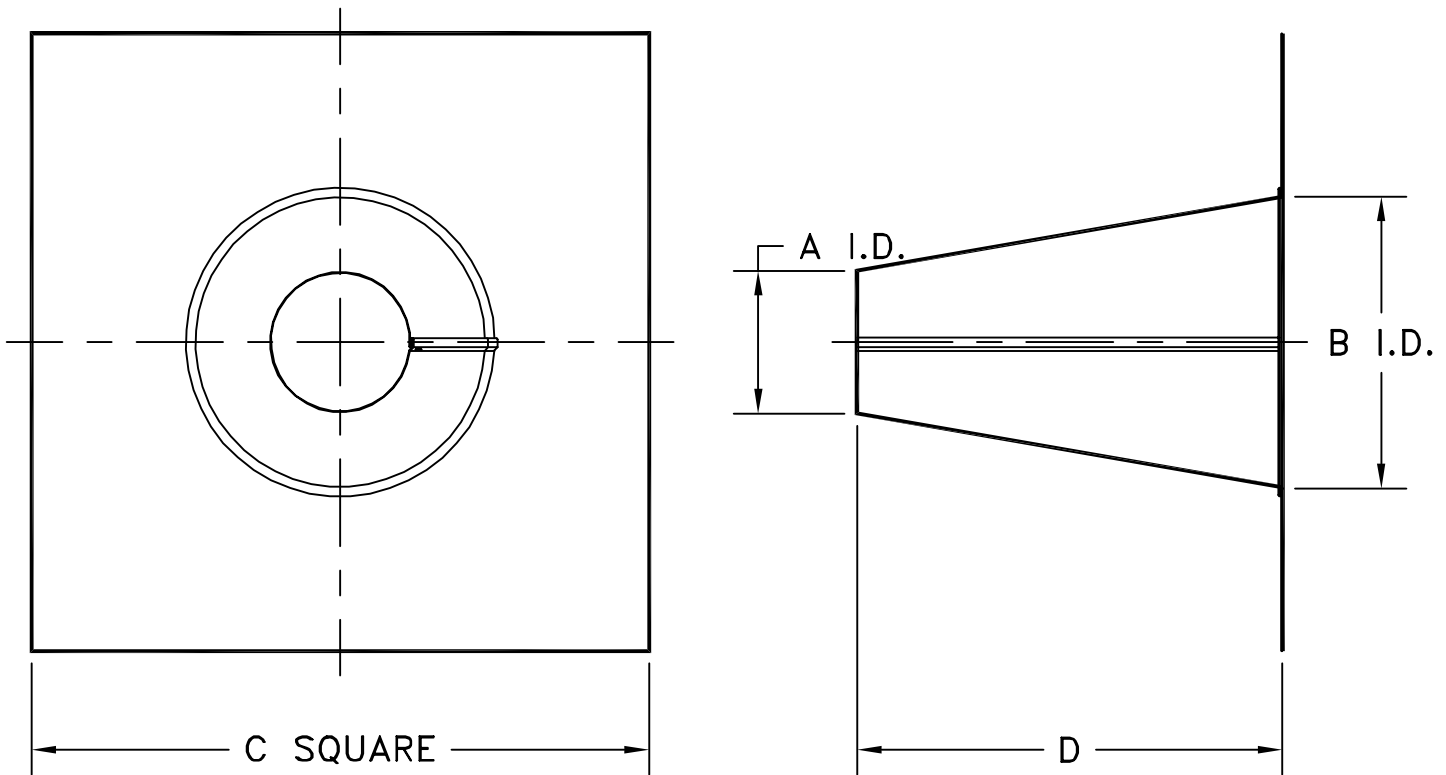


• MATERIAL:
 PLATE & CONE - .018 THICK, G-90 GALVANIZED STEEL



CAT. NO.	A I.D.	B I.D.	C	D
3RTF	3 1/2	7 3/4	16	11 1/4
4RTF	4 1/2	7 3/4	16	11 1/4
5RTF	5 1/2	7 3/4	16	11 1/4
6RTF	6 1/2	9 3/4	19 1/2	11 1/4
7RTF	8	11 1/4	19 1/2	11 1/4
8RTF	9	11 1/4	19 1/2	11 1/2
10RTF	11	15 1/4	24 1/8	11 1/2
12RTF	13	15 1/4	24 1/8	11 1/2
14RTF	15-9/16	19-5/16	28-1/8	11
16RTF	17-9/16	19-5/16	28-1/8	11
18RTF	19-9/16	23-9/16	32-5/16	11
20RTF	21-9/16	23-9/16	32-5/16	11
22RTF	23-9/16	27-9/16	36	11
24RTF	25-9/16	27-9/16	36	11

JOB NAME: _____	SUBMITTED BY: _____	DATE: 2/17/03	SD-3118
LOCATION: _____		Type B Gas Vent	
ARCHITECT: _____		Tall Cone Flashing	
ENGINEER: _____		RFT	
CONTRACTOR: _____		3" - 24" Diameter	