



**REPAIR
PARTS LIST
GAS
COUNTERFLOW
FURNACE
WITH CONTINUOUS PILOT**

MODELS

7970A

7956A 7975A

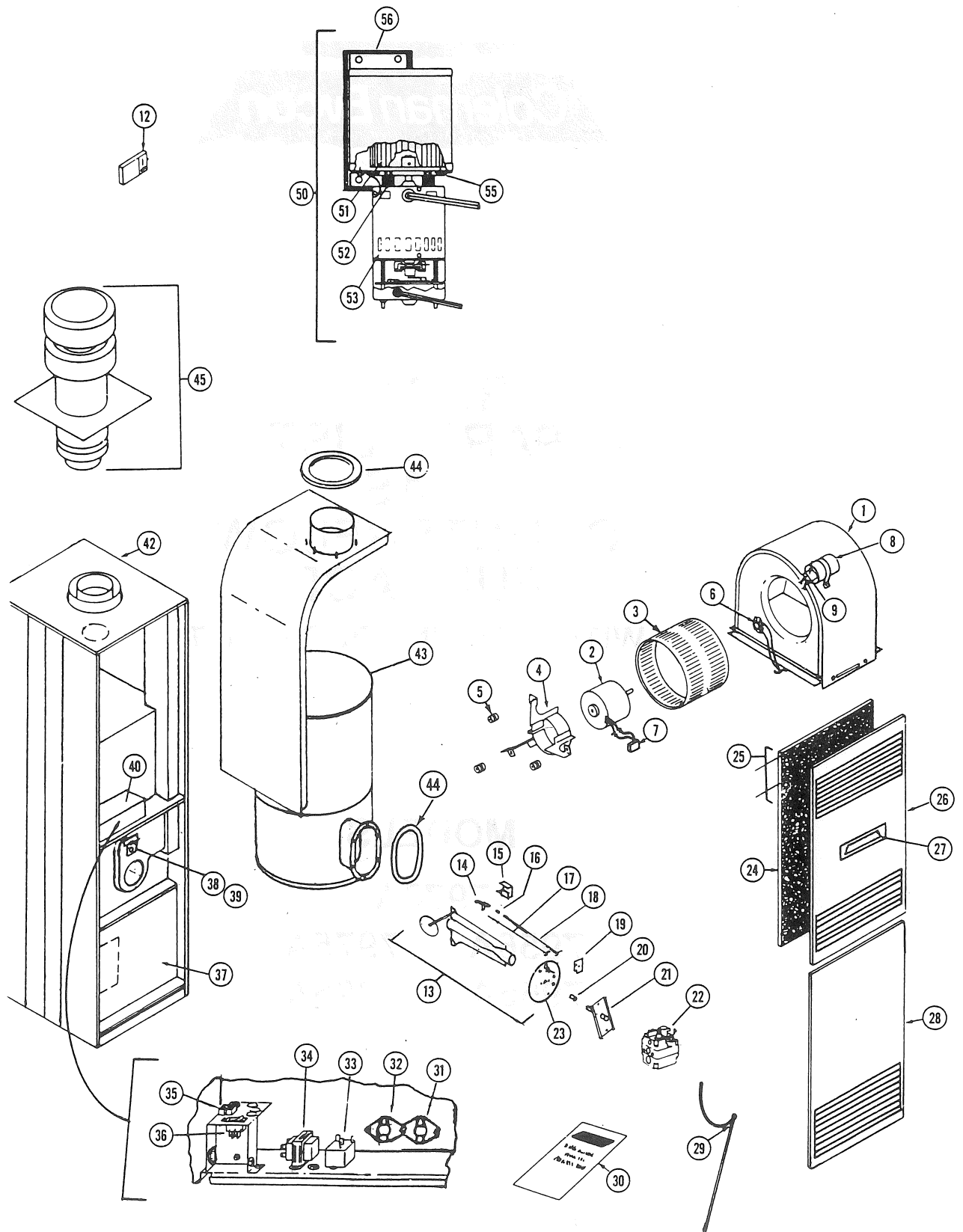
7966A 7995A

EVCON INDUSTRIES, INC.

P.O. Box 19014
Wichita, KS 67204-9014

R-553B (2-91 PP)
Replaces R-553A

#15 Catalog
Sec. 1 - Pg. 7.0





REPAIR PARTS 7900A856 SERIES

First Production Serial #048800000

PRESIDENTIAL III

MODEL	7956A	7966A	7970A	7975A	7995A
Nat	856	856	856	856	856
BTU/In	56,000	66,000	70,000	75,000	95,000

CODE 18 - BURNER ORIFICE

MODEL	7956A	7966A	7970A	7975A	7995A
Nat	9951-1281	9951-1401	9951-1491	9951-1541	9951-1801
LP	9951-0821	9951-0891	9951-0931	9951-0961	9951-1061

CODE	USED ON MODELS	NO. REQ.	PART NUMBER	DESCRIPTION	VENDOR
--	ALL	X	8B2001	Enamel (Spray-Sirocco Tan)	
1-11	ALL			Blower Parts (See Page 7.3)	
12	ALL	1	7656-3951	Thermostat (Adj. Ant.)	RS #65A-260-039
13	ALL	1	7956-5851	Burner Assy. (Less Gas Valve - Includes codes 14 thru 19 & 23)	
14	ALL	1	9880-0161	Pilot Burner (w/Pilot Spud)	RS #2CL-60 (77552)
15	ALL	1	7945-1701	Pilot Shield	
17	ALL	1	2631-3481	Thermocouple (24")	WR #H02E-24
18	ALL	1	7945-1671	Pilot Tube (1/4" Formed Steel)	
19	ALL	1	7945-166	Seal Plate	
20				Note: See chart above for Burner Orifice	
21	ALL	1	7945B5151	Valve Bracket (Less Orifice)	
22	ALL	1	7656-3561	Gas Valve (24V. .23 Amp.)	W-R #36C67-175
23	ALL	1	7945-1631	Mounting Plate	
24	ALL	1	7660-3401	Filter (19 ³ / ₈ x 35 ³ / ₄ x 1/4)	
25	ALL	1	7670-3451	Filter Retainer (Pk'd. 2)	
26	ALL	1	7670B5231	Panel (Upper - Textured)	
27	ALL	1	1539-1271	Coleman Decal	
28	ALL	1	7670A1571	Panel (Lower - Textured)	
29	ALL	1	7660-190	Lighter Rod (with Chain)	
30	ALL	1	1972E461	Customer Envelope	
31	7956A	1	7945-3281	Limit Switch (Lower 0-140° C-110°)	Ex. #402-679
	7966A,7970A,7975A	1	7970-3281	Limit Switch (Lower 0-145° C-115°)	Ex. #402-680
	7995A	1	7995-3281	Limit Switch (Lower 0-150° C-120°)	Ex. #402-681
32	7956A,7966A,7070A,7975A	1	7660-3281	Fan Switch (C-110° -- 0-90°)	TOD #60T82 (200500)
	7995A	1	7995-3351	Fan Switch (C-115° -- 0-95°)	TOD #60T82 (312661)
33	7995A	1	8665-5701	Booster Relay (24V. - SPST-4 Terminals)	RBM #84-50902-101
34	ALL	1	7945-3551	Transformer (115/24V. -15 VA)	JARD #TA151224-B11
35	ALL	1	7945B555	Connector Cap Assy.	
36	ALL	1	7681-3301	Switch (Rocker On-Off)	Carling #RA901
37	ALL	1	7656B1861	Panel (Coil Cavity 19 ³ / ₁₆ "	
38	ALL	1	7706C5491	Observation Plate (w/Gasket)	
39	ALL	1	7706A3171	Gasket (Observation Plate)	
40	ALL	1	7945A1351	Cover (Control Box)	
42	ALL	1	7945A5721	Casing Top	
43	7956A	1	7956-5751	Heat Exchanger (with Gaskets)	
	7966A,7970A,7975A	1	7966-5751	Heat Exchanger (with Gaskets)	
	7995A	1	7995-5751	Heat Exchanger (with Gaskets)	
44	ALL	1	7945-3011	Gasket Pkg. (Heat Exchanger)	
45				Roof Jack (See Section 1A)	

NOTE: All parts with three digit suffix numbers are "Special Order" Parts. These parts are subject to factory availability and require extra time for delivery.

REPAIR PARTS 7900A856 SERIES

PRESIDENTIAL III



CODE	USED ON MODELS	NO. REQ.	PART NUMBER	DESCRIPTION	VENDOR
50	7995A	1	7995-6451	Booster Assy. (Includes Code 51 thru 56)	
51	7995A	1	8865-3611	Impellor (3 ¹⁵ / ₁₆ x 1 ⁷ / ₈ x 3 ³ / ₈)	Torr. #AA326-128
52	7995A	1	8865B1281	Motor Mount (Rubber 4/pkg.)	
53	7995A	1	7995-3169	Booster Motor (3000 RPM)	FASCO #7121-2842
55	7995A	1	8865A1471	Mount Plate	
56	7995A	1	7995A386	Booster Gasket	

BLOWERS (Heating Only — See Section 1A for Air Conditioning Blowers)

		7956A	7960A 7970A 7975A	7995A
1	Scroll	7945A530	7966A530	7966A530
2	Motor	7945-3119 1/10 HP-880 RPM-4.0A. FASCO #7151-3328 WEST. #E322P291 McMill. #MS1386	7966-3119 1/6 HP-1100RPM-8.2A. WEST. #322P289	1468-2129 1/4 HP-1050 RPM-6.0A. WEST. #322P890
3	Blower Wheel (Dia.-Width-Bore)	1472-2791 9 1/2 x 7 1/8 x 1/2 TORIN #CM916-704-5 LAU #027855-09 MORR. #03-32013-0	1472-2751 105/8 x 7 1/8 x 1/2 TORIN #CM1020-704-5 LAU #027855-10 MORR. #03-42001-0	1472-2751 105/8 x 7 1/8 x 1/2 TORIN #CM-1020-704-5 LAU #027855-10 MORR. #03-42001-0
4	Motor Clamp	7670-5391	7670-5391	7670-5391
5	Motor mount (3/Pkg.)	7670-3551	7670-3551	7670-3551
6	Limit Switch (Upper)	7624A3591 Open 180° -Manual Reset TI #20615L5-A29 TOD #60T14(205732) EX #404-105	7624A3591 Open 180° -Maunal Reset TI #20615L5-A29 TOD #60T14(205732) EX #404-105	7624A3591 Open 180° Manual Reset TI #20615L5-A29 TOD #60T14(205732) EX #404-105
7	Connector Plug	7680-348	7680-348	7680-348
8	Run Capacitor	None	None	1499-4461 7.5 Mfd.-370V.

* Coleman is a registered trademark of The Coleman Co., Inc. used under license.

© 1991 Evcon Industries, Inc.