

MICRO SWITCH

A DIVISION OF MINNEAPOLIS-HONEYWELL REGULATOR COMPANY
FED. MFR. CODE/91929

SWITCH - BASIC

CATALOG LISTING
BA-2RV-A2

ABN7500

BA-2RV-A2
ISSUE 3

BA-2RV-A2
PAGE 1 OF 1

M
DRAWING NUMBER

ISSUE
810

REVISIONS

A	CO 18893	GCH 18 DEC 61
B	CO34312	KP 21 APR 78
C	CO- 73287-J	JAL 22 NOV 93
D	CO 77590	SAD 8 JUN 94
E	CO93346	DLT 26 AUG 98
F	204782	GJW JAN 02
G	0018387	TSG 18 JAN 06

REPLACES

RELEASE NO.

CHECK

18 JAN 06

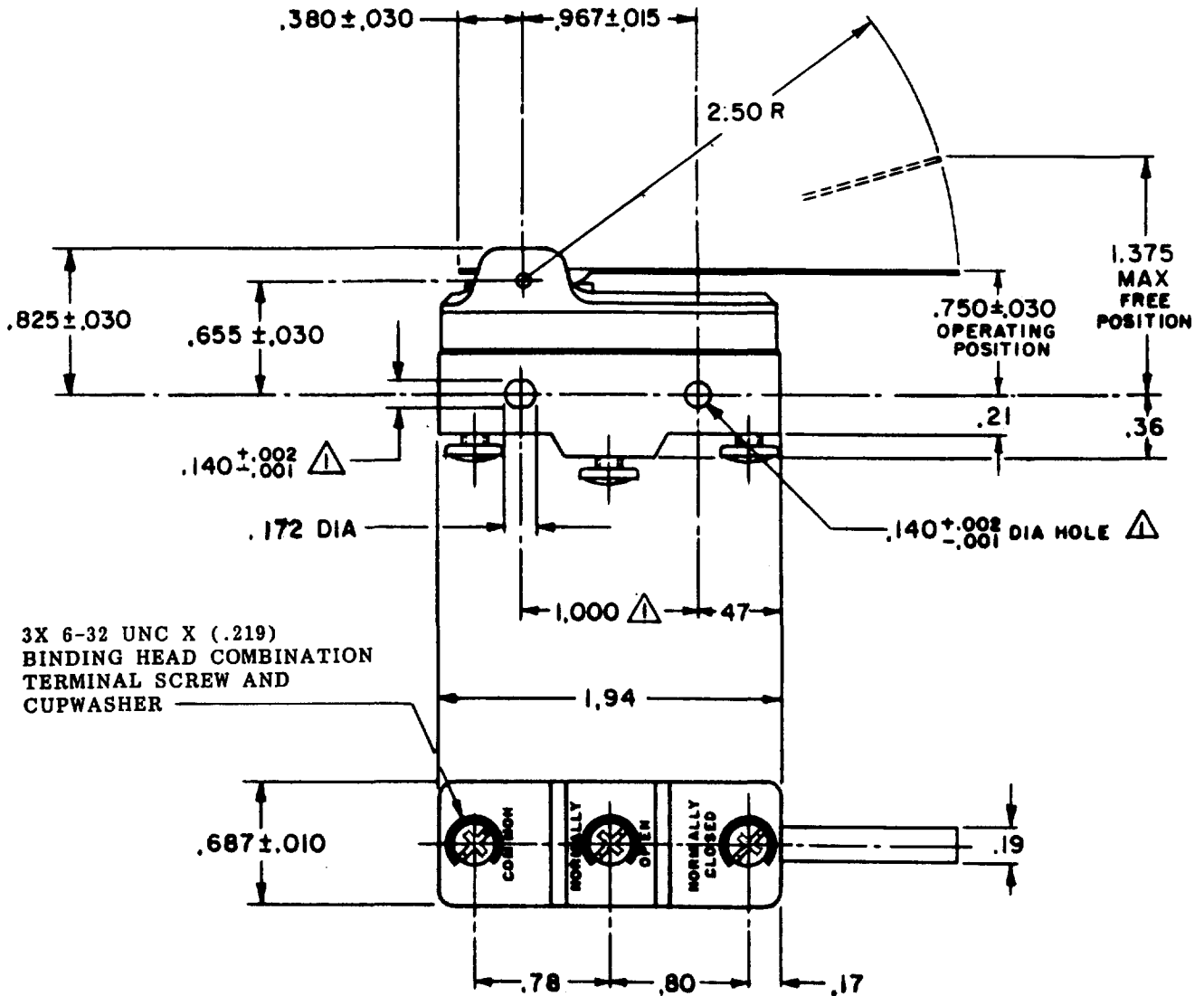
RJ

CHECK

5 JAN 02

CHECK

15 DEC 61



NOTE
▲ - MOUNTING HOLES WILL ACCEPT PINS OR SCREWS OF .139 MAX DIA ON 1.000 ± .002 CENTERS

THIS DRAWING COVERS A PROPRIETARY ITEM AND IS THE PROPERTY OF MICRO SWITCH, A DIVISION OF MINNEAPOLIS-HONEYWELL REGULATOR CO. THIS DRAWING IS NOT TO BE COPIED OR USED WITHOUT THE APPROVAL OF MICRO SWITCH.

CHARACTERISTICS	
OPERATING FORCE	----- 2 1/2 OZ MAX
RELEASE FORCE	----- 1/2 OZ MIN
PRETRAVEL	----- .625 MAX
DIFFERENTIAL TRAVEL	----- .109 MAX
OVERTRAVEL	----- .078 MIN

ELECTRICAL DATA	
CONTACT ARRANGEMENT S P D T	
L23	20A - 125, 250 OR 480 VAC 10A - 125 VAC "L" 1HP - 125 VAC, 2HP - 250 VAC 1/2A - 125 VDC, 1/4A - 250 VDC
L288 L308 L315	
20(3)A 250V ~ T85 5E4	

SCALE --- FULL	
DO NOT SCALE PRINT	
UNLESS OTHERWISE SPECIFIED	
DIMENSIONS ARE IN INCHES	
TOLERANCES ARE:	
ONE PLACE (.9)	±.030
TWO PLACE (.08)	±.015
THREE PLACE (.008)	±.005
ANGLES	±
WEIGHT	

RASTER

0-80378

DRAWN

GCH