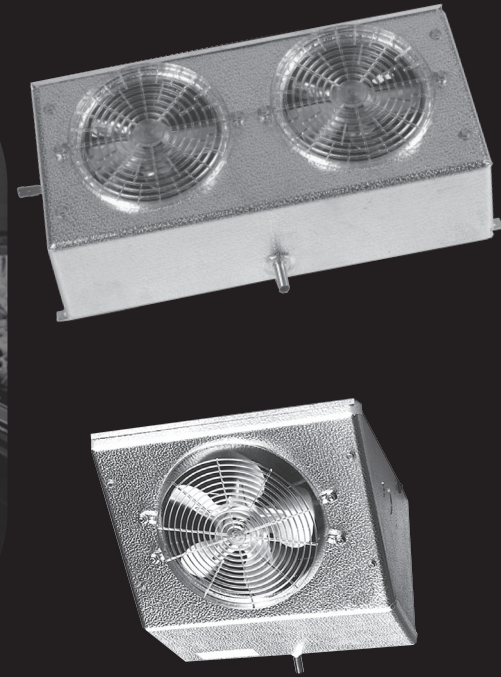


## REACH-IN UNIT COOLERS

### Technical Guide

Models TA • TL • C • VA • BBM • BBL • KMK • RAMK • BTO • U



## TABLE OF CONTENTS

Model TA Thin Profile Air Defrost.....	3
Model TL Thin Profile Electric Defrost .....	4
Model C High Profile .....	5
Model VA Vee-Aire.....	6
Models BBM/BBL Back Bar.....	7
Model KMK Kompact Mullion .....	8
Model RAMK Reverse Air Flow Kompact Mullion .....	9
Model BTO Twin Flow .....	10
Model U Dual Aire Standard Coil .....	11

In order to ensure our products function reliably even in corrosive environments, Bohn offers coated coil options on many of our Reach-In products. These coatings provide superior protection in most common refrigeration environments. If you have a question about a specific application, please contact your Bohn representative.

## MODEL TA Thin Profile Air Defrost Reach-In Unit Cooler

### Features

- Textured aluminum cabinet
- Molded Lexan® guards and fans
- Drain fitting mounted at 45-degree angle so drain can be run through back or bottom of refrigerator
- Expansion valve can be mounted inside the cabinet
- Stainless steel screws
- Motors are thermally protected and permanently lubricated
- Convenient, moistureproof motor plug
- Compact design! Does a big job in a small space
- Optional coated coil available (Model TAK) for enhanced protection in corrosive environments
- Internal junction box for electrical connection
- All models are UL listed for the US and Canada
- UL classified to NSF standards
- Sweat inlet connection standard to reduce leaks (flare connection available as a ship loose option)



### Application

**Model TA** is a thin profile unit which mounts in the top of a refrigerator and makes the entire top shelf area usable. The attractive low silhouette makes the unit particularly desirable for display type refrigerators. It can also be used in back bars, under counter cabinets, or wherever space is at a premium.

For 35° to 45°F fixtures at 10° to 15° TD applications with 16 hours maximum compressor run time per day.

### Nomenclature

TA	K	17	B	G
Model	Coil Option	Model Size	Electrical Code	Vintage
Thin Profile	Blank = Standard	10-55	A = 115/1/60	
Air Defrost	K = Coated		B = 208-230/ 1/60	

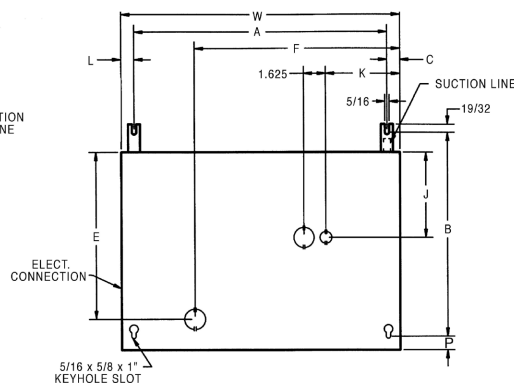
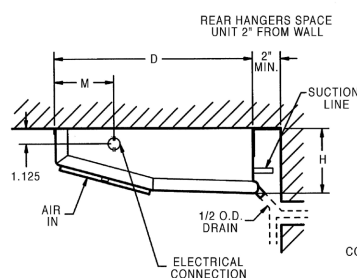
### Performance & Electrical Data

Model	BTUH 10°F TD	Motor Data			Connections (in.)			Approx. Ship Wt. (lbs.)	
		CFM	Qty.	115/1/60 Total FLA	208-230/1/60 Total FLA	Coil Inlet OD	Suction ID		Drain OD
TA(K)10	1,000	120	1	0.8	0.4	3/8	3/8	1/2	14
TA(K)13	1,300	170	2	1.6	0.8	3/8	3/8	1/2	17
TA(K)17	1,700	210	2	1.6	0.8	3/8	3/8	1/2	21
TA(K)23	2,300	330	3	2.4	1.2	3/8	3/8	1/2	28
TA(K)30	3,000	360	3	2.4	1.2	3/8	1/2	1/2	33
TA(K)43*	4,300	540	4	3.2	1.6	1/2	5/8	1/2	44
TA(K)55*	5,500	650	5	4.0	2.0	1/2	5/8	1/2	53

\*Models 43 and 55 require an external equalized expansion valve

### Physical & Dimensional Data

Model	Dimensions (in.)											
	A	B	C	D	E	F	H	J	K	L	M	W
TA(K)10	14-5/8	14	15/16	13-1/2	10-1/2	11-3/8	4-1/2	8-7/8	2-1/2	15/16	4-3/8	16-1/2
TA(K)13	18-5/8	14	15/16	13-1/2	10-1/8	10-1/4	4-1/2	8-3/8	9-1/2	15/16	4-3/8	20-1/2
TA(K)17	22-1/8	15	15/16	14-1/2	11-1/8	12	4-1/2	9-3/8	11-1/4	15/16	4-3/8	24
TA(K)23	29-3/4	15	15/16	14-1/2	13	20-7/8	4-1/2	10-3/4	10-1/4	15/16	4-3/8	31-5/8
TA(K)30	38-1/8	15	15/16	14-1/2	13	29-3/4	4-1/2	10-3/4	9-3/4	15/16	4-3/8	40
TA(K)43	51-1/2	15	15/16	14-1/2	13	48-3/4	4-1/2	10-3/4	13-1/4	15/16	4-3/8	53-3/8
TA(K)55	51-1/2	15	15/16	14-1/2	13	49	6-3/4	10-3/4	11	15/16	4-3/8	53-3/8



## Model TL Thin Profile Electric Defrost Reach-In Unit Cooler

### Features

- Electric defrost ensures positive heat source
- Built-in fan delay allows coil to be chilled before returning to the normal cooling cycle
- Defrost terminates on coil temperature eliminating excessive defrost period
- Textured aluminum cabinet
- Molded Lexan® guard
- Knockouts provided on sides for electrical connections - opening in rear for coil connections
- Expansion valve can be mounted inside the cabinet
- Stainless steel screws
- Motors are thermally protected and permanently lubricated
- Internal junction box for electrical connection
- Plate type aluminum fins with full collars on expanded copper tubes
- Coils are dehydrated and sealed
- Easy to install and maintain
- All models UL listed for the US and Canada
- UL classified to NSF standards
- Sweat inlet connection to reduce leaks (flare connection available as a ship loose option)



### Application

**Model TL** low temperature unit cooler has a defrost system standard. Mounted in the top of a refrigerator, its extremely compact cabinet makes it possible to utilize the entire top shelf area for storage. Having a normal operating range of 15°F to -20°F, this unit is ideally suited for such applications as commercial freezers, ice cream boxes and bakery freezers.

### Nomenclature

TL	12	B	G
Model	Size	Electrical Code	Vintage
Thin Profile	09-53	A = 115/1/60	
Electric Defrost		B = 208-230/1/6	

### Performance & Electrical Data

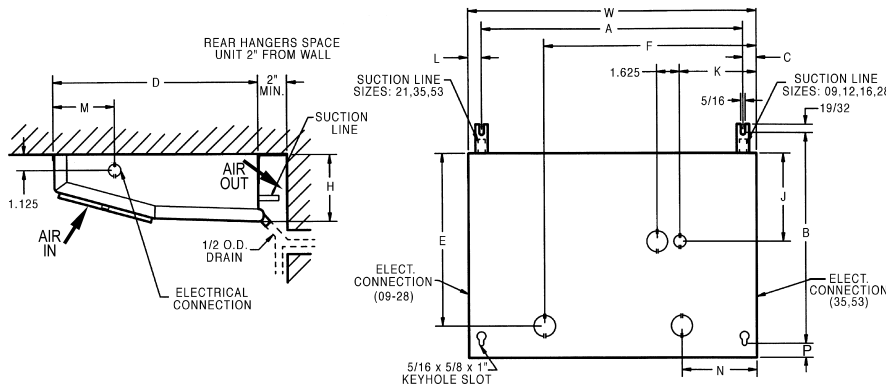
Model	BTUH 10°F TD		Motor Data				Heater Data			Connections (in.)			Approx. Ship Wt. (lbs.)
	20°F SST	-10°F SST	CFM	Qty.	115/1/60 Total FLA	208-230/1/60 Total FLA	Watts	115/1/60 Amps	208-230/1/60 Amps	Coil Inlet OD	Suction ID	Drain OD	
TL09	1,050	900	110	1	0.8	0.4	475	4.1	2.1	3/8	3/8	1/2	14
TL12	1,380	1,200	210	2	1.6	0.8	600	5.2	2.6	3/8	1/2	1/2	19
TL16	1,780	1,600	210	2	1.6	0.8	700	6.1	3.0	3/8	1/2	1/2	23
TL21^	2,400	2,100	240	1	1.0	0.5	1,100	9.6	4.8	3/8	1/2	1/2	24
TL28	3,200	2,800	335	3	-	1.2	1,430	-	5.7	3/8	1/2	1/2	27
TL35^*	4,000	3,500	420	2	-	1.0	1,600	-	7.0	1/2	5/8	1/2	38
TL53^*	6,100	5,300	595	3	-	1.5	1,950	-	8.5	1/2	7/8	1/2	53

^ Model available with EC motors

\* Models 35 and 53 require an external equalized expansion valve

### Physical & Dimensional Data

Model	Dimensions (in.)													
	A	B	C	D	E	F	H	J	K	L	M	N	P	W
TL09	14-5/8	14	15/16	13-1/2	10-1/2	11-3/8	4-1/2	8-7/8	2-1/2	15/16	4-3/8	-	1	16-1/2
TL12	18-5/8	14	15/16	13-1/2	10-1/8	10-1/4	4-1/2	8-3/8	9-1/2	15/16	4-3/8	-	1	20-1/2
TL16	22-1/8	15	15/16	14-1/2	11-1/8	12	4-1/2	9-3/8	11-1/4	15/16	4-3/8	-	1	24
TL21	22-1/8	16-1/2	15/16	16-1/2	14-1/2	18-7/8	6-3/4	11-7/8	17-1/4	15/16	4-3/8	-	1-1/2	24
TL28	29-3/4	15	15/16	14-1/2	13	20-3/4	6-3/4	9-3/4	9-7/8	15/16	4-3/8	-	1	31-5/8
TL35	35-3/4	16-1/2	15/16	16-1/2	14-1/2	33-1/4	6-3/4	11-5/8	18-3/8	15/16	6	5-1/8	1-1/2	38-3/8
TL53	46-1/2	16-1/2	1-1/8	16-1/2	14-1/2	44	6-3/4	11-5/8	30-3/8	1-1/2	6	5-1/8	1-1/2	49-1/8



# MODEL C

## High Profile Reach-In Unit Cooler

### Features

- Textured aluminum cabinet
- Molded Lexan® guard
- Drain fitting at 45-degree angle so drain can be run through bottom or back of refrigerator
- Aluminum hangers automatically space the unit to the correct distance from the back wall
- Stainless steel screws prevent rust streaks
- Room for expansion valve inside the unit
- Knockouts in sides and top plus openings in rear provide maximum flexibility for electrical connection
- Expansion valve can be mounted inside the cabinet
- Full collar aluminum fins on expanded copper tubes
- Internal junction box with pigtail leads for electrical connection
- Motors are thermally protected and permanently lubricated
- All models UL listed for US and Canada
- UL classified to NSF standards
- Optional coated coil available (Model CK) for enhanced protection in corrosive environments
- Sweat inlet connection standard to reduce leaks (flare connection available as a ship loose option)



### Application

**Model C** is the ideal unit for refrigerated reach-ins. It mounts to the top of the refrigerator and discharges cold air against the back wall. With this air flow pattern, the air is not blasted on the product but is diffused along the back wall and then gently drawn across the product as it returns to the unit. Thus uniform temperatures are maintained throughout the refrigerator. In addition, door sweating and refrigeration loss due to door opening is greatly reduced because the air is not discharged against the doors.

### Nomenclature

C	K	43	B	G
Model	Coil Option	Model Size	Electrical Code	Vintage
High Profile Unit Cooler	Blank = Standard K = Coated	13-43	A = 115/1/60 B = 208-230/ 1/60	

### Performance & Electrical Data

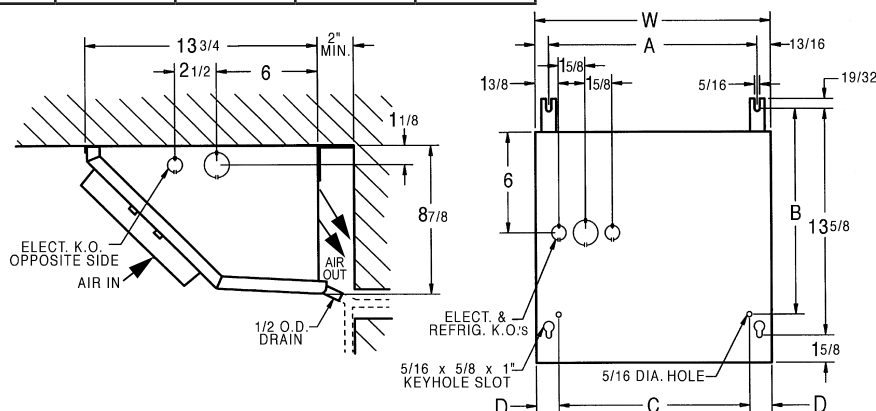
Model	BTUH 10°F TD	Motor Data				Connections (in.)			Approx. Ship Wt. (lbs.)
		CFM	Qty.	115/1/60 Total FLA	208-230/1/60 Total FLA	Coil Inlet OD	Suction ID	Drain OD	
C(K)13 <sup>^</sup>	1,300	235	1	1.0	0.5	3/8	3/8	1/2	16
C(K)17 <sup>^</sup>	1,700	250	1	1.0	0.5	3/8	1/2	1/2	17
C(K)23 <sup>^</sup>	2,300	265	1	1.0	0.5	3/8	1/2	1/2	22
C(K)30 <sup>^</sup>	3,000	480	2	2.0	1.0	3/8	1/2	1/2	27
C(K)43 <sup>^*</sup>	4,300	520	2	2.0	1.0	1/2	1/2	1/2	40

<sup>^</sup> Model available with EC motors

\* Model 43 requires an external equalized expansion valve

### Physical & Dimensional Data

Model	Dimensions (in.)				
	A	B	C	D	W
C(K)13	12-5/8	12-3/8	11-7/16	1-3/8	14-1/4
C(K)17	15-5/8	12-3/8	14-7/16	1-3/8	17-1/4
C(K)23	21-1/8	12-3/8	21-1/16	7/8	22-3/4
C(K)30	26-1/8	12-3/8	25-13/16	1	27-3/4
C(K)43	36-5/16	-	-	-	38

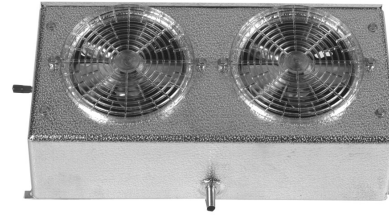




## MODEL VA Vee-Aire Reach-In Unit Cooler

### Features

- Textured aluminum cabinet
- Molded Lexan® fan guard
- Improved drain pan overlaps coil surface to catch all condensate
- Stainless steel screws prevent rust streaks
- Plate-type aluminum fins with full collars on expanded copper tubes
- Expansion valve can be mounted inside the cabinet
- Internal junction box for electrical connection
- Pigtail leads in junction box
- Motors are thermally protected and permanently lubricated
- Top quality throughout in a compact size
- All models UL listed for US and Canada
- UL classified to NSF standards
- Optional coated coil available (Model VAK) for enhanced protection in corrosive environments
- Sweat inlet connection standard to reduce leaks (flare connection available as a ship loose option)



### Application

**Model VA** is a deluxe unit designed for use in small reach-ins, back bar and under counter refrigerators, and many other applications where a small, compact unit is required. The thermal expansion valve mounts inside the unit. The unit can be mounted from the ceiling or off the back wall or end walls.

### Nomenclature

VA	K	08	A	G
Model	Coil Option	Model Size	Electrical Code	Vintage
V Profile Unit Cooler	Blank = Standard K = Coated	06-17	A = 115/1/60 B = 208-230/1/60	

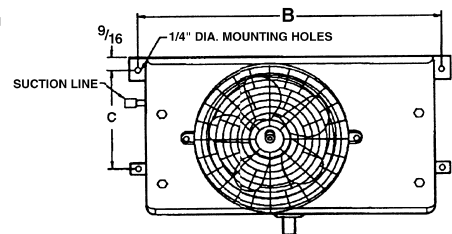
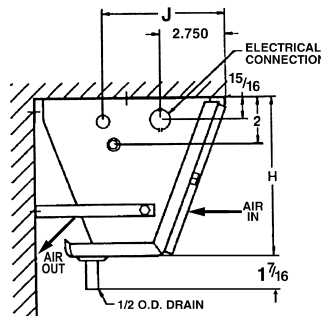
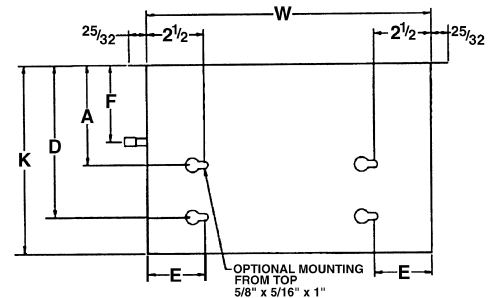
### Performance & Electrical Data

Model	BTUH 10°F TD	Motor Data		Connections (in.)			Approx. Ship Wt. (lbs.)		
		CFM	Qty.	115/1/60 Total FLA	208-230/1/60 Total FLA	Coil Inlet OD		Suction ID	Drain OD
VA(K)06	600	135	1	0.8	0.4	3/8	3/8	1/2	9
VA(K)08	800	130	1	0.8	0.4	3/8	3/8	1/2	9
VA(K)12	1,200	265	2	1.6	0.8	3/8	3/8	1/2	14
VA(K)17^	1,700	245	1	1.0	0.5	3/8	3/8	1/2	11

^ Model available with EC motors

### Physical & Dimensional Data

Model	Dimensions (in.)									
	A	B	C	D	E	F	H	J	K	W
VA(K)06	4-5/16	13-1/4	4-5/16	-	-	3-3/8	6-7/8	5-1/4	8-1/8	12-1/2
VA(K)08	4-5/16	13-1/4	4-5/16	-	-	3-3/8	6-7/8	5-1/4	8-1/8	12-1/4
VA(K)12	4-1/2	18-3/4	5-5/16	-	-	3-3/8	8	4-7/8	8-1/8	18
VA(K)17	5-1/4	14-3/4	5-1/4	9	2-1/2	4	9-3/4	6-13/16	10-1/2	14



# MODELS BBM/BBL

## Back Bar Reach-In Unit Cooler



### Features

- Molded Lexan® fan guards
- Coils have copper tubes with aluminum fins, mechanically-bonded for efficient heat transfer. The coils are dehydrated and sealed
- Textured aluminum cabinet
- Knockouts are conveniently located for refrigerant lines
- Screws are hardened, stainless steel
- Expansion valve can be mounted inside the cabinet and connections are sweat-type
- Motors are thermally protected and permanently lubricated
- Master units include the basic unit plus factory mounted expansion valve, solenoid, and temperature control. Also right-hand piping extended 8" - 12" outside the housing, sealed and pressurized to 20 - 30 PSI. A 1/4" OD liquid feed to slave is included
- Slave units include the basic unit plus factory mounted expansion valve with left-hand piping extended 8" - 12" outside the housing, sealed and pressurized to 20 - 30 PSI
- Sweat inlet connection to reduce leaks (flare connection available as a ship loose option)

### Application

**Models BB** are compact, wall-mounted units whose low height makes them ideal for undercounter reach-in or drawer-type fixtures. The unit draws air in at the bottom and discharges out the front. An optional air deflector is included and can be mounted over the center of the fan to direct air up and out. The deflector can be field-formed to direct the air where needed, usually onto drop-in trays of condiments in salad bar or sandwich preparation fixtures. An S-type mounting angle is included to position the unit 3/4" off the wall which gives optimum air circulation and performance.

The BBM (medium temperature) model is designed for 35° to 40°F fixture temperature with off-cycle defrost. The unit is designed to operate at 10° to 17° TD and 16 hours per day compressor run time.

The BBL (low temperature) model is designed for 0° to -10°F fixture temperature, and has automatic electric defrost. The unit is designed to operate at 8° to 15° TD with 18 hours per day compressor runtime. The BBL has an incoloy sheath heater embedded in the bottom fin surface for efficient and fast defrosting. A drain pan heater is included to ensure complete condensate drainage. A disc-type sealed defrost termination/fan delay control is mounted and wired. Field connectors are located at the terminal board.

### Nomenclature

BB	L	S	10	A	G
Model	Unit Temp.	Unit Type	Size	Electrical Code	Vintage
Back Bar Unit Cooler	L = Low M = Medium	Blank = Standard S = Slave M = Master	10-16	A = 115/1/60 B = 208-230/1/60	

### Performance & Electrical Data

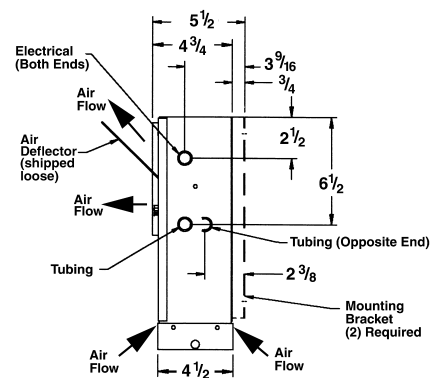
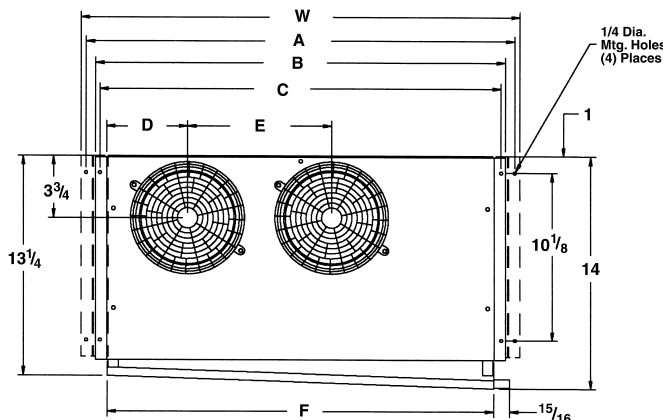
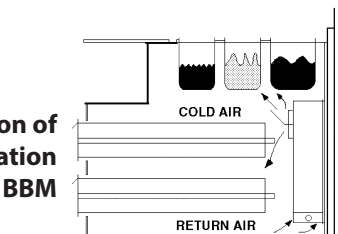
Model	BTUH 10°F TD	Motor Data				Defrost Heaters			
		CFM	Qty.	HP	115/1/60 Total FLA	208-230/1/60 Total FLA	Watts	115/1/60 Amps	208-230/1/60 Amps
BBL10	1,000	90	1	1/150	0.8	0.4	275	2.7	1.4
BBM11	1,100	90	1	1/150	0.8	0.4	-	-	-
BBL15	1,500	180	2	1/150	1.6	0.8	350	3.5	1.7
BBM16	1,600	180	2	1/150	1.6	0.8	-	-	-

### Physical & Dimensional Data

Model	Dimensions (in.)							Approx. Ship Wt. (lbs.)
	A	B	C	D	E	F	W	
BBL10	19-1/8	18	17-1/2	7-1/16	-	16-5/8	19-3/4	17
BBM11	19-1/8	18	17-1/2	7-1/16	-	16-5/8	19-3/4	16
BBL15	25-5/8	24-1/2	24	4-13/16	8-5/8	23-1/8	26-1/4	20
BBM16	25-5/8	24-1/2	24	4-13/16	8-5/8	23-1/8	26-1/4	19

NOTES: All units have 3/8" OD suction, 1/2" OD sweat inlet and 1/2" OD drain

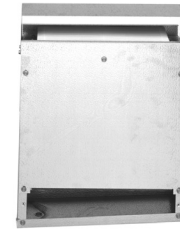
Typical Section of Sandwich Station Model BBM



## MODEL KMK Kompact Mullion Reach-In Unit Cooler

### Features

- Light grained aluminum cabinets
- PVC coated fan guard
- Stainless steel hardware
- Coils have full collar aluminum fins on expanded copper tubes
- Coated coil for enhanced protection in corrosive environments
- Refrigerant connection knockouts provided on both ends of unit
- Expansion valve can be mounted inside the cabinet
- Motors are thermally protected and permanently lubricated
- Internal junction box for electrical connection
- Adjustable air deflector included provides different air patterns. Air can be directed where it's needed
- All models UL listed for the US and Canada
- UL classified to NSF standards
- Sweat inlet connection to reduce leaks (flare connection available as a ship loose option)



### Application

**Model KMK** is ideal for under-counter reach-in refrigerators. The thin line design allows the unit to be mounted behind the mullion with sufficient clearance for trayslides. A down flow fan arrangement is used with air drawn in at the top and discharged at the bottom. This design provides superior air circulation and ensures uniform temperature throughout the cabinet.

This versatile design is also adaptable for mounting on the back wall or ends of a cooler. The method of air circulation ensures minimum box temperature rise when the cabinet doors are open. Ideal for bottle goods and beverage coolers.

### Nomenclature

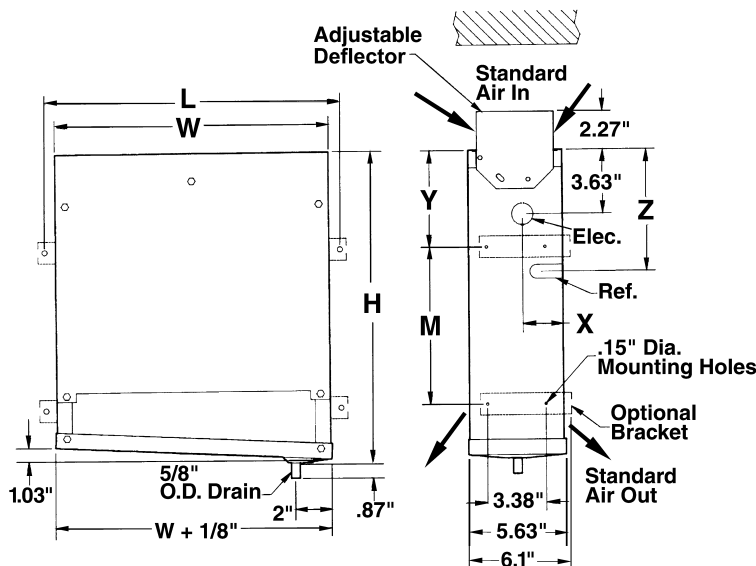
KM	K	13	A	G
Model	Coil	Size	Electrical Code	Vintage
Kompact Mullion	K = Coated	13-23	A = 115/1/60 B = 208-230/1/60	

### Performance & Electrical Data

Model	BTUH 10°F TD	Motor Data				Connections (in.)			Approx. Ship Wt. (lbs.)
		CFM	Qty.	115/1/60 Total FLA	208-230/1/60 Total FLA	Coil Inlet OD	Suction ID	Drain OD	
KMK13	1,300	180	2	1.6	0.8	3/8	3/8	5/8	19
KMK17	1,700	170	2	1.6	0.8	3/8	3/8	5/8	20
KMK23	2,300	255	3	2.4	1.2	3/8	1/2	5/8	28

### Physical & Dimensional Data

Model	Dimensions (in.)						
	H	L	M	W	X	Y	Z
KMK13	17-3/4	16-7/8	9	15-5/8	2-3/4	5-1/2	6-15/16
KMK17	19-3/4	16-7/8	10	15-5/8	2-3/4	6-1/2	7-15/16
KMK23	19-3/4	23-1/4	10	22	2-5/16	6-1/2	7-15/16



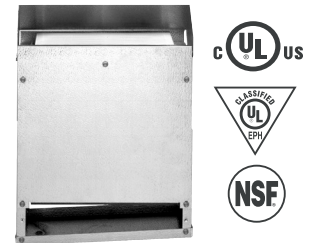


# MODEL RAMK

## Reverse Air Flow Kompact Mullion Reach-In Unit Cooler

### Features

- Textured aluminum cabinet
- PVC coated fan guard
- Stainless steel hardware
- Coils have full collar aluminum fins on expanded copper tubes
- Coated coil for enhanced protection in corrosive environments
- Refrigerant connection knockouts provided on both ends of unit
- Expansion valve can be mounted inside the cabinet
- Motors are thermally protected and permanently lubricated
- Internal junction box for electrical connection
- Adjustable air deflector included provides different air patterns. Air can be directed where it's needed
- All models are UL listed for the US and Canada
- UL classified to NSF standards
- Sweat inlet connection standard to reduce leaks (flare connection available as a ship loose option)



### Application

**Model RAMK** is ideal for under-counter reach-in refrigerators, under-counter drawer type refrigerators and salad bars. The unit is suitable for mounting behind a mullion or on a wall. An up flow air pattern is used with air drawn in at the bottom and discharged out the top. This provides optimum temperature for drop in trays on salad bars or prep tables. It also keeps drawer stored product in premium condition.

An adjustable and detachable air deflector/splash protector is included. The deflector can be adjusted to direct the air up and out at a 45-degree angle. This feature provides excellent air distribution over drop in trays or containers. Food in the trays and containers stays colder, lasts longer, and retains the desired appearance. The deflector can be adjusted to distribute air out both sides when used as a mullion unit.

### Nomenclature

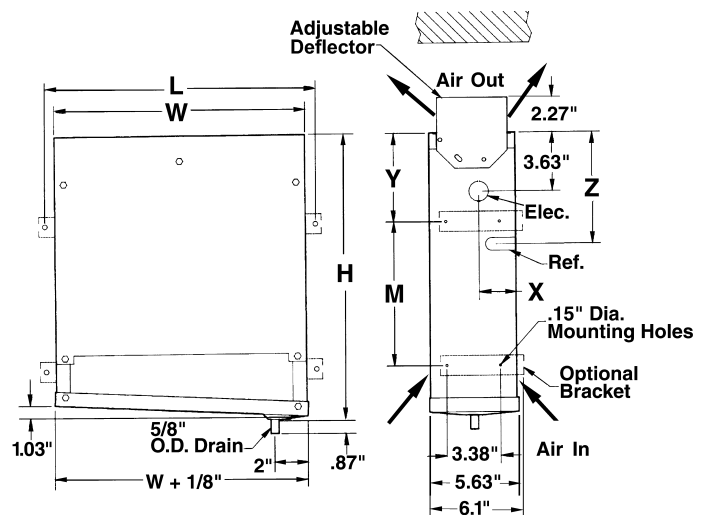
RAM	K	13	A	G
Model	Coil	Size	Electrical Code	Vintage
Reverse Air Flow Kompact Mullion	K = Coated	13-23	A = 115/1/60 B = 208-230/1/60	

### Performance & Electrical Data

Model	BTUH 10°F TD	Motor Data				Connections (in.)			Approx. Ship Wt. (lbs.)
		CFM	Qty.	115/1/60 Total FLA	208-230/1/60 Total FLA	Coil Inlet OD	Suction ID	Drain OD	
RAMK13	1,300	180	2	1.6	0.8	3/8	3/8	5/8	19
RAMK17	1,700	170	2	1.6	0.8	3/8	3/8	5/8	20
RAMK23	2,300	255	3	2.4	1.2	3/8	1/2	5/8	28

### Physical & Dimensional Data

Model	Dimensions (in.)						
	H	L	M	W	X	Y	Z
RAMK13	17-3/4	16-7/8	9	15-5/8	2-3/4	5-1/2	6-15/16
RAMK17	19-3/4	16-7/8	10	15-5/8	2-3/4	6-1/2	7-15/16
RAMK23	19-3/4	23-1/4	10	22	2-5/16	6-1/2	7-15/16



## MODEL BTO Twin Flow Reach-In Unit Cooler

### Features

- Compact two-way design with medium velocity air flow
- Mounts flush to the ceiling and draws air in through the fan and discharges out both sides
- Air pattern reduces air loss when doors are opened and the medium velocity reduces product drying
- Textured aluminum cabinet
- Stainless steel fasteners
- Molded Lexan® fan guards
- Drain pan and fan panel is easily removed for installation and servicing
- Optional coated coil available (Model BTOK) for enhanced protection in corrosive environments
- Coils are constructed of copper tubing with aluminum fins
- Expansion valve can be mounted inside the cabinet
- Internal junction box is provided for electrical connection
- Motors are thermally protected and permanently lubricated
- All models are UL listed for the US and Canada
- UL classified to NSF standards
- Sweat inlet connection to reduce leaks (flare connection available as a ship loose option)



### Application

**Model BTO** is ideal for temperatures of 35°F and higher. Box temperatures are kept more constant throughout and fresh products last longer. Seven sizes are available with BTUH from 900 to 5,500 at 10° TD.

Larger BTO sizes are suitable for large reach-in and small step-in or walk-in coolers.

### Nomenclature

BTO	K	09	A	G
Model	Coil Option	Size	Electrical Code	Vintage
Twin Flow Unit Cooler	Blank = Standard K = Coated	09-55	A = 115/1/60 B = 208-230/1/60	

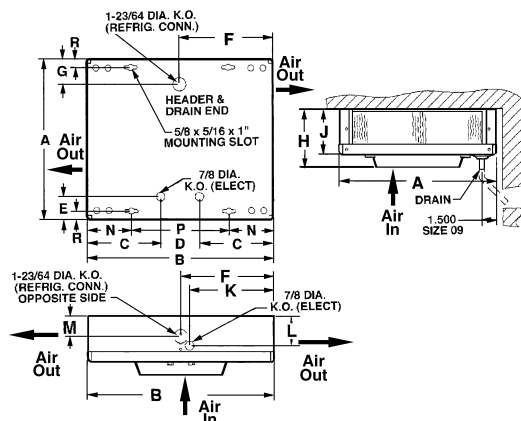
### Performance & Electrical Data

Model	BTUH 10°F TD	BTUH 15°F TD	Motor Data				Connections (in.)			Approx. Ship Wt. (lbs.)
			CFM	Qty.	115/1/60 Total FLA	208-230/1/60 Total FLA	Coil Inlet OD	Suction ID	Drain OD	
BTO(K)09	900	1,350	130	1	0.8	0.4	1/2	1/2	1/2	12
BTO(K)13	1,300	1,950	240	2	1.6	0.8	1/2	1/2	1/2	14
BTO(K)18^	1,800	2,700	255	1	1.0	0.5	1/2	1/2	1/2	15
BTO(K)25^*	2,500	3,750	460	2	2.0	1.0	1/2	1/2	1/2	23
BTO(K)35^*	3,500	5,250	425	2	2.0	1.0	1/2	1/2	1/2	24
BTO(K)45^*	4,500	6,750	550	2	2.0	1.0	1/2	1/2	5/8	34
BTO(K)55^*	5,500	8,250	730	1	2.1	1.1	1/2	1/2	5/8	34

^ Model available with EC motors

\* Models 25, 35, 45 and 55 require an external equalized expansion valve

Model	Dimensions (in.)														
	A	B	C	D	E	F	G	H	J	K	L	M	N	P	R
BTO(K)09	16-1/8	19-1/8	7-9/16	4	2-5/16	9-9/16	2-3/4	4-7/8	4-1/2	8-5/8	2-1/2	2-5/8	4-9/16	10	7/8
BTO(K)13	16-1/8	19-1/8	7-9/16	4	2-5/16	9-9/16	2-3/4	5-3/4	4-1/2	8-5/8	2-1/2	2-5/8	4-9/16	10	7/8
BTO(K)18	16-1/8	19-1/8	7-9/16	4	2-5/16	9-9/16	2-3/4	5-3/4	4-1/2	8-5/8	2-1/2	2-5/8	4-9/16	10	7/8
BTO(K)25	18-1/8	26-1/8	11-1/16	4	2-5/16	13-1/16	2-3/4	6-3/4	5-1/2	12-1/8	3-1/2	2-5/8	8-1/16	10	7/8
BTO(K)35	18-1/8	26-1/8	11-1/16	4	2-5/16	13-1/16	2-3/4	6-3/4	5-1/2	12-1/8	3-1/2	2-5/8	8-1/16	10	7/8
BTO(K)45	21-1/8	29-1/8	8-3/16	7-3/4	3-7/16	10-5/8	3-1/2	9-1/4	8	13-5/8	5-15/16	4-1/4	7-9/16	14	1-3/4
BTO(K)55	21-1/8	29-1/8	8-3/16	7-3/4	3-7/16	10-5/8	3-1/2	8-1/2	8	13-5/8	5-15/16	4-1/4	7-9/16	14	1-3/4



# MODEL U

## Dual Aire Standard Coil Reach-In Unit Cooler

### Features

- Textured aluminum cabinet
- Full collar aluminum fins on expanded copper tubes
- Detachable drain pan that is easy to clean
- Molded 3-prong motor connector to save installation time and expense
- Motors are thermally protected and permanently lubricated
- Optional coated coil available (Model UK) for enhanced protection in corrosive environments
- All models are UL recognized for the US and Canada
- UL classified to NSF standards
- Sweat inlet connection to reduce leaks (flare connection available as a ship loose option)



### Application

**Model U** is used wherever a small, compact unit is required. It can be mounted on the ceiling or wall. The model U unit draws air through the front and discharges it out both sides to ensure proper distribution of cool air and thus maintain a uniform box temperature.

### Nomenclature

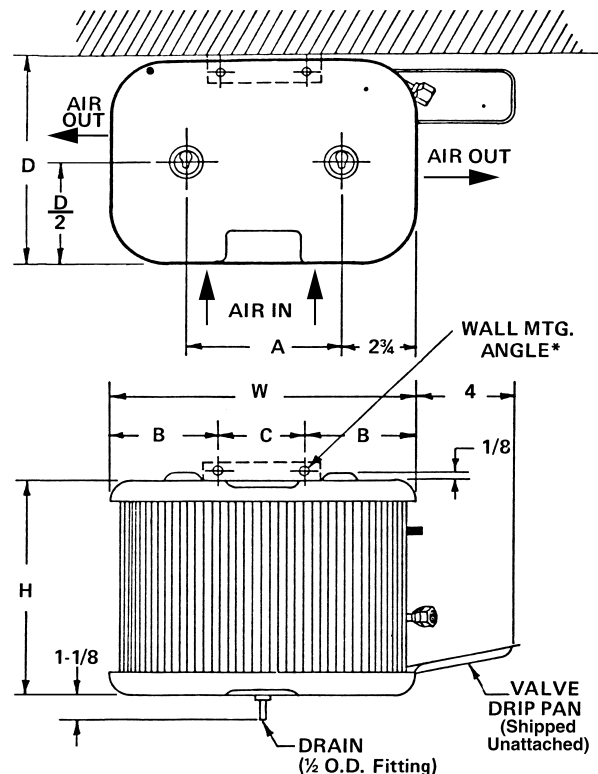
U	K	09	0
Model	Coil Option	Size	Electrical Code
Dual Aire Standard Coil	Blank = Standard K = Coated	09-15	0 = 115/1/60 1 = 208-230/1/60

### Performance & Electrical Data

Model	BTUH 10°F TD	BTUH 15°F TD	Motor Data			Connections (in.)			Approx. Ship Wt. (lbs.)
			CFM	115/1/60 Total FLA	208-230/1/60 Total FLA	Coil Inlet FN	Suction ID	Drain OD	
U(K)09	850	1,275	190	0.45	0.55	1/2	3/8	1/2	9
U(K)12	1,150	1,725	250	0.45	0.55	1/2	3/8	1/2	10
U(K)15	1,500	2,250	310	1.10	0.55	1/2	3/8	1/2	14

### Physical & Dimensional Data

Model	Dimensions (in.)					
	H	W	D	A	B	C
U(K)09	8-1/2	11-1/2	8-7/8	6	4	3-1/2
U(K)12	8-1/2	17-1/2	8-7/8	12	4	9-1/2
U(K)15	9-1/2	17-1/2	10-7/8	12	4	9-1/2





For more information on Bohn refrigeration products, contact your sales representative or visit us at [heatcraftprd.com](http://heatcraftprd.com).

**BOHN**

**A Brand of Heatcraft Refrigeration Products, LLC**  
2175 West Park Place Blvd. • Stone Mountain, GA • 30087  
800.537.7775

**[heatcraftprd.com](http://heatcraftprd.com)**

*Since product improvement is a continuing effort, we reserve the right to make changes in specifications without notice.*

BN-RITB-1113 | Version 000