



# Suggested List Prices

## "1600" Series Pumps

**Supersedes:** February 04, 2013

**Effective:** January 12, 2015

STANDARD:  
CAST IRON STAINLESS STEEL FITTED

### 1600 SERIES IN-LINE PUMPS

\*115/60/1 only  
All others 115/230/60/1

\*\*Standard 3 Phase Voltage  
200-230/460/60/3

Cast Iron Casing, Stainless Steel Impeller, 1800 RPM, 60 Cycle O.D.P. Motors.  
Price includes Companion Flanges.

MODEL NO.	MOTOR H.P.	FLANGE SIZE	LIST PRICE (\$)		APPROX. SHIPPING WT./LBS.
			Single Phase	Three Phase**	
1600 E*	1/4	1½	1,204.00	N/A	59
1610 E*	1/3	1½	1,300.00	N/A	62
1612 E	1/2	1½	1,648.00	\$1,714.00	89
1614 E	3/4	1½	1,799.00	1,834.00	91
1616 E	1	2	2,187.00	2,206.00	99
1630 E	1/2	2	1,749.00	1,814.00	91
1632 E	3/4	2	1,917.00	1,959.00	93
1634 E	1	2	2,187.00	2,211.00	100
1636 E	1 - 1/2	2	2,700.00	2,550.00	126
1638 E	2	2	2,670.00	2,800.00	153

OPTIONAL:  
ALL BRONZE

\*115/60/1 only

Bronze Casing, Impeller, Bracket, 1800 RPM, 60 Cycle O.D.P. Motors.  
Price includes Companion Flanges.

MODEL NO.	MOTOR H.P.	FLANGE SIZE	LIST PRICE (\$)		APPROX. SHIPPING WT./LBS.
			Single Phase	Three Phase	
1600 B*	1/4	1½	1,969.00	N/A	59
1610 B*	1/3	1½	2,050.00	N/A	62
1630 B	1/2	2	2,630.00	2,640.00	91
1632 B	3/4	2	2,800.00	2,830.00	93

Pumps on this page are considered "Standard" units and are not subject to any modifications.  
For customized units, please refer to models on page two of price sheet.

All prices subject to change without notice.

# 1600 Series Pumps

303-001  
Page 2 of 3

## CUSTOM BUILT 1600 SERIES PUMPS

MODEL NUMBER	MOTOR H.P.	FLANGE SIZE	STANDARD FITTED+ OPEN DRIP-PROOF MOTOR (\$)		ADDTL. CHARGE FOR ALL-BRONZE CONST. (\$)	ADDITIONAL CHARGE FOR TEFC MOTOR++ (\$)		AP-PROX. SHIP WT./ LBS.
			Single Phase	Three Phase Std. Volt.**		Single Phase	Three Phase	
1611	1/4*	1½ STD +++	1,269.00	N/A	782.00	584.00	507.00	59
1611	1/3*	1½ STD +++	1,378.00	1,590.00***	782.00	643.00	554.00	62
1611	1/2	1½ STD +++	1,445.00	1,504.00	782.00	742.00	604.00	65
1615	1/3*	1½ STD +++	1,621.00	1,906.00***	820.00	643.00	554.00	84
1615	1/2	1½ STD +++	1,757.00	1,825.00	820.00	742.00	604.00	89
1615	3/4	1½ STD +++	1,906.00	1,952.00	820.00	896.00	772.00	91
1615	1	1½ STD +++	2,055.00	2,089.00	820.00	957.00	781.00	100
1619	3/4	2 STD +++	2,089.00	2,147.00	858.00	896.00	772.00	89
1619	1	2 STD +++	2,251.00	2,270.00	858.00	957.00	781.00	99
1619	1½	2 STD +++	2,510.00	2,393.00	858.00	1,015.00	900.00	125
1619	2	2 STD +++	3,120.00	2,620.00	858.00	1,094.00	950.00	135
1635	1/2	2 STD +++	1,856.00	1,924.00	896.00	742.00	604.00	91
1635	3/4	2 STD +++	2,034.00	2,089.00	896.00	896.00	772.00	93
1635	1	2 STD +++	2,251.00	2,280.00	896.00	957.00	781.00	100
1635	1½	2 STD +++	2,478.00	2,458.00	896.00	1,015.00	900.00	110
1641	1½	2 STD	2,970.00	2,750.00	966.00	1,015.00	849.00	126
1641	2	2 STD	3,400.00	2,980.00	966.00	N/A	950.00	143
1641	3	2 STD	N/A	3,240.00	966.00	N/A	N/A	152

\* 115/60/1 only. All others 115/230/60/1

\*\* Standard three phase Voltage---200-230/460/60/3 ; Beginning Oct/Nov 2011, 200-230/460/60/3 volts replaces 200/60/3 and 230-460/60/3 volts  
For other voltages---Consult Factory.

\*\*\* Three Phase Voltage for 1/3 HP – 200/460/60/3 Useable @ 208 Volts

+ Standard Fitted Pumps include EPT Ni-Resist Seals

++ 1/3 HP 3 phase motors and all TEFC motors, used on "Non-Stock" custom pumps, are foot mounted (not resilient mounted) which utilize a fabricated motor bracket.

+++ Optional flange sizes available, must be specified when placing order.

NOTE: Single Phase ODP Motors include Built-In Overload Protection.  
Three Phase ODP and TEFC Motors require Starters with Overload Protection. This is not included in above prices.

# 1600 Series Pumps

303-001  
Page 3 of 3

MODEL NUMBER	FRAME SIZE	MOTOR HP & PHASE	PUMP LESS MOTOR LIST (\$)
1611	48	1/4 HP - 1 PH.	896.00
1611	48	1/3 HP - 1 PH. & 3 PH.	896.00
1611	48	1/2 HP - 1 PH. & 3 PH.	896.00
1615	48	1/3 HP - 1 PH. & 3 PH.	1,204.00
1615	48	1/2 HP - 1 PH. & 3 PH.	1,204.00
1615	56	3/4, 1 HP - 1 PH. & 3 PH.	1,269.00
1619	56	3/4, 1 HP - 1 PH. & 3 PH.	1,465.00
1619	56	1½ HP - 1 PH.	1,465.00
1619	56	1½ HP - 3 PH.	1,465.00
1619	56	2 HP - 1 PH. & 3 PH.	1,465.00
1635	48	1/2 HP - 1 PH. & 3PH.	1,300.00
1635	56	3/4, 1 HP - 1 PH. & 3 PH.	1,432.00
1635	56	1½ HP - 1 PH.	1,432.00
1635	56	1½ HP - 3 PH.	1,432.00
1641	56	1½ HP - 1 PH.	1,892.00
1641	56	1½ HP - 3 PH.	1,892.00
1641	56	2 HP - 1 PH. & 3 PH	1,892.00
1641	56	3 HP - 1 PH. & 3 PH.	1,892.00

CUSTOM BUILT 1600 SERIES OPTIONS	
	LIST ADD (\$)
EPT "Sealide C"	269.00

NOTE: Ceramic Seal Standard on ALL pumps.

PREMIUM EFFICIENCY MOTORS	
MOTOR SIZE	LIST ADD (\$)
1 HP	809.00
1.5 HP	858.00
2 HP	919.00

NOTE: Premium Efficient Motors only available in above HP 1750 RPM, 230/460 + 200 Volt 3 phase foot mounted with fabricated motor bracket.

Pump Less Motor: Pump includes Cast Iron Casing, Maximum Diameter Impeller, Bearing Assembly, Coupler, Motor Hardware and Companion Flanges.

All Bronze Construction: Use All Bronze Construction List Add.

**Do it Once. Do it Right.™**

TACO INC., 1160 Cranston Street, Cranston, RI 02920 Telephone: (401) 942-8000 Fax: (401) 942-2360  
 TACO (Canada), Ltd., 8450 Lawson Road, Milton, Ontario L9T 0J8 Telephone: (905) 564-9422 Fax: (905) 564-9436  
 Visit our website at: [www.taco-hvac.com](http://www.taco-hvac.com)

Printed in USA

Copyright 2007

TACO, Inc.



## Suggested List Prices

303-005

# Replacement Header Pump

**Supersedes:** May 30, 2011

**Effective:** February 04, 2013

MODEL	DESCRIPTION	LIST PRICE	SHIPPING WEIGHT
1630-S46	½ HP 50° C	\$1,238.00	76 LBS
1630-S47	½ HP 60° C	1,295.00	80 LBS
1630-S48	¾ HP 40° C	1,355.00	78 LBS
1630-S49	¾ HP 60° C	1,410.00	82 LBS.

Note: The above are only available at 115/60/1

All prices subject to change without notice.

### Do it Once. Do it Right.™

TACO INC., 1160 Cranston Street, Cranston, RI 02920 Telephone: (401) 942-8000 Fax: (401) 942-2360  
TACO (Canada), Ltd., 8450 Lawson Road, Milton, Ontario L9T 0J8 Telephone: (905) 564-9422 Fax: (905) 564-9436  
Visit our website at: [www.taco-hvac.com](http://www.taco-hvac.com)

Printed in USA

Copyright 2006

TACO, Inc.





## Replacement Parts List Prices

303-006

# Replacement Header Pump

**Supersedes:** January 31, 2011

**Effective:** February 04, 2013

ITEM 1 BRACKET	
1630-094RP	\$ 673.00
ITEM #2 CARTRIDGE	
1630-120RP	\$ 557.00
ITEM #3 IMPELLER	
1630-025RP	\$ 437.00
1630-035RP	472.00
ITEM #4 SEAL KIT	
1630-121RP	\$ 118.50
ITEM #5 SHAFT SLEEVE	
1600-205RP	\$ 38.75
ITEM #6 MOTOR	
1630-115RP	\$ 757.00
1630-116RP	826.00
1630-117RP	954.00
1630-118RP	1,055.00
ITEM #7 COUPLER	
1630-122RP	\$ 131.50
1630-123RP	148.50
ITEM #8 COUPLER INSERT	
1624-004RP	\$ 71.65
ITEM #9 GASKET	
1630-124RP	\$ 13.95

All prices subject to change without notice.

**Do it Once. Do it Right.™**

TACO INC., 1160 Cranston Street, Cranston, RI 02920 Telephone: (401) 942-8000 Fax: (401) 942-2360  
TACO (Canada), Ltd., 8450 Lawson Road, Milton, Ontario L9T 0J8 Telephone: (905) 564-9422 Fax: (905) 564-9436  
Visit our website at: [www.taco-hvac.com](http://www.taco-hvac.com)

Printed in USA

Copyright 2006

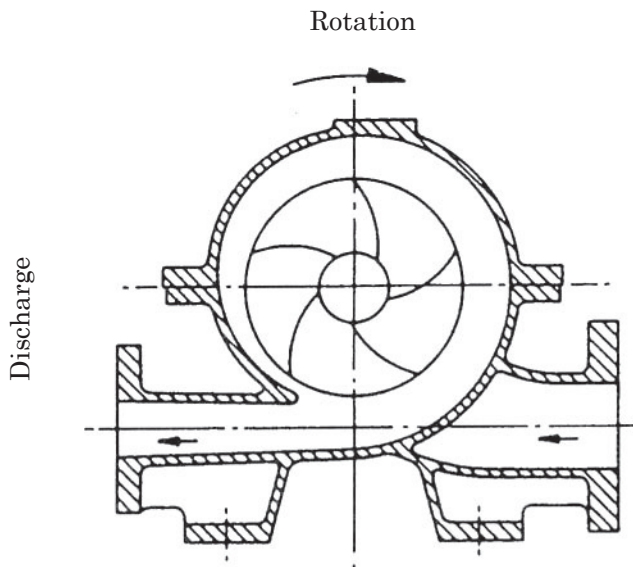
TACO, Inc.



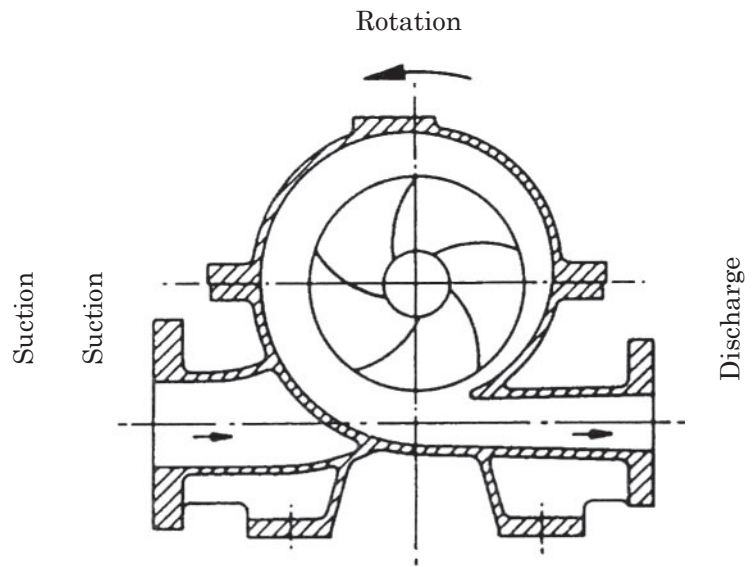
# "TA" Series Pumps

**Supersedes:** January 31, 2011

**Effective:** February 04, 2013



Clockwise Rotation Viewed  
from the Coupling End



Counter Clockwise Rotation Viewed  
from the Coupling End

## Single Stage Double Suction Horizontal Split Case Centrifugal Pumps

Prices indicated are for pump end only or pump, base, coupling and guard.

All pumps include seal flushing recirculation lines, bronze shaft sleeves, mechanical seals, and bronze case wear rings.

Construction: Standard as Bronze Fitted\*

Casing - Cast Iron

Impeller - Bronze

Wear Ring - Bronze

Shaft - Carbon Steel

Insert - Cast Iron

Shaft Sleeve - Bronze

Prices for standard motors are available in the motor price sheets.

All prices subject to change without notice.

# "TA" Series Pumps

**Effective Date:** February 04, 2013

303-012

PAGE 2 OF 4

Pump Model No.	Conn.	T or TS Motor Frame	Pump Frame Size	Pump Only		Pump, Base, Coupling & Guard	
				List Price	Approx. Shipping Wt./Lbs.	List Price	Approx. Shipping Wt./Lbs.
TA0538	3x2	213-215 254-256 284-286	A	8,320.00	400	9,380.00	560
TA0624	3x2½	182-184 213-215 284-286 324-326	A	8,320.00	266	9,240.00	450
TA0824	4x3	182-184 213-215 254-256 284-286 324-326 364-365	A	8,660.00	289	9,700.00	465
TA0830	4x3	182-184 213-215 254-256	A	9,550.00	333	9,910.00	470
TA0838	4x3	213-215 254-256 284-286 324-326	A	9,650.00	400	12,060.00	560
TA1024	6x4	182-184 213-215 254-256 364-365 404-405	B	9,730.00	433	11,080.00	620
TA1030	5x4	213-215 254-256 284-286	A	9,770.00	388	11,110.00	550
TA1038	5x4	213-215 254-256 284-286 324-326 364-365	B	11,080.00	578	13,010.00	785
TA1224	6x5	213-215 254-256 284-286	A	10,560.00	523	11,850.00	685
TA1229	6x5	213-215 254-256 284-286 324-326	A	9,850.00	412	11,110.00	575
TA1230	6x5	213-215 254-256 284-286 324-326 364-365	A	12,670.00	512	13,880.00	675
TA1238	6x5	215 254-256 284-286 324-326 364-365	B	13,830.00	700	16,300.00	905

# "TA" Series Pumps

**Effective Date:** February 04, 2013

303-012

PAGE 3 OF 3

Pump Model No.	Conn.	T or TS Motor Frame	Pump Frame Size	Pump Only		Pump, Base, Coupling & Guard	
				List Price	Approx. Shipping Wt./Lbs.	List Price	Approx. Shipping Wt./Lbs.
TA1524	8x6	254-256 284-286 324-326	A	13,290.00	589	15,010.00	775
TA1530	8x6	254-256 284-286 324-326 364-365	B	14,890.00	667	17,620.00	900
TA1538	8x6	254-256 284-286 324-326 364-365 404-405 444-445	B	15,120.00	755	19,490.00	985
TA1548	8x6	404-405 444-445	C	19,140.00	1332	23,630.00	1650
TA2030	10x8	182-184 284-286 324-326 364-365 404-405	B	18,800.00	1045	22,890.00	1310
TA2038	10x8	324-326 364-365 404-405 444-445	C	19,800.00	1178	24,280.00	1500
TA2048	10x8	364-365 404-405 444-445 447-449	C	24,130.00	1255	28,310.00	1665
TA2524	10x10	324-326 364-365	B	20,630.00	923	23,440.00	1160
TA2530	10x10	284-286 364-365 404-405 444-445	B	21,200.00	1022	23,830.00	1350
TA2538	12x10	364-365 404-405 444-445 447-449	C	26,110.00	1522	28,550.00	1940

# "TA" Series Pumps

Effective Date: February 04, 2013

303-012

PAGE 4 OF 4

OPTION	PUMP FRAME SIZE A	PUMP FRAME SIZE B	PUMP FRAME SIZE C
Drip Rim	Standard	Standard	Standard
Stainless Steel Shaft Sleeves	\$1,039.00	\$1,213.00	\$1,312.00
Stainless Steel Shaft	1,689.00	1,931.00	2,110.00
Balanced Mechanical Seal - Nii-Resist (F)	2,840.00	3,030.00	2,970.00
Balanced Mechanical Seal - Ceramic (H)	3,480.00	4,360.00	4,730.00
Balanced Mechanical Seal - Tungsten Carbide (G)	Consult Factory	Consult Factory	Consult Factory
Seals: Quantity (2) EPT Tungsten Carbide (D)	1,260.00	2,097.00	2,670.00
EPT Ceramic: Quantity (2) (E)	643.00	1,338.00	1,765.00
EPT Ni-Resist: Quantity (2) (B)	Standard	Standard	Standard
Certified Performance Test Non-Witness	2,680.00	3,180.00	3,610.00
Kynar Separator Unmounted 901-1	1,265.00	1,265.00	1,265.00
Packed Stuffing Box (P)	532.00	553.00	606.00
250 lb. Casing	1,338.00	1,951.00	2,326.00
OSHA Coupler Guard	585.00	585.00	752.00

MOTOR SIZE	LIST PRICE FOR SHOP MOUNTING MOTORS SUPPLIED BY CUSTOMER:
Up to 7 - 1/2 HP	508.00
10 to 40 HP	572.00
50 to 100 HP	918.00
125 to 200 HP	1,260.00
Above 200 HP	1,438.00

1. Prices apply when customer's motor is sent to TACO for mounting, when pump baseplate and coupling are supplied by TACO.
2. Prices apply to standard "T" frame horizontal motors only.
3. Customer's motors for TACO mounting must be shipped prepaid to the factory.

## ORDERING INSTRUCTIONS:

1. Tag motors being shipped to TACO with the customer purchase order number, TACO shop order number and the MRO number issued by customer service.
2. Specify motor manufacturer and frame size on order write-up.

**Do it Once. Do it Right.™**

TACO INC., 1160 Cranston Street, Cranston, RI 02920 Telephone: (401) 942-8000 Fax: (401) 942-2360  
 TACO (Canada), Ltd., 8450 Lawson Road, Milton, Ontario L9T 0J8 Telephone: (905) 564-9422 Fax: (905) 564-9436  
 Visit our website at: [www.taco-hvac.com](http://www.taco-hvac.com)

Printed in USA

Copyright 2006

TACO, Inc.



# Suggested List Prices

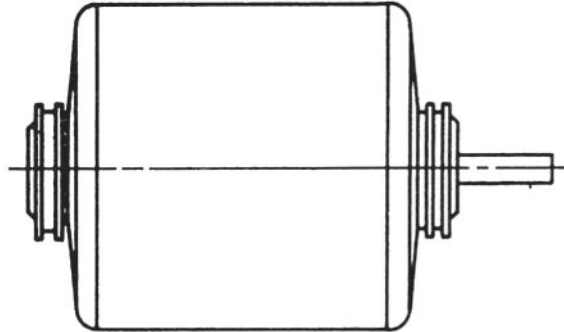
303-017

## "1600" Series Pump Motors

Supersedes: May 30, 2011

Updated: February 11, 2013

Effective: February 04, 2013



MOTOR NO.	HP	VOLTAGE	REPLACES	LIST PRICE
121-151	¼	115/60/1	---	332.50
131-143	⅓	115/60/1	---	399.00
132-096	½	115/230/60/1	---	552.00
1661-022	½	200-230/460/60/3	132-097, 230/460/60/3	628.00
			132-066, 200-60/3	
133-119	¾	115/230/60/1	---	636.00
▶ 1661-023	¾	200-230/460/60/3	133-134, 230/460/60/3 133-140, 200/60/3	686.00
138-119	1	115/230/60/1	---	746.00
1661-024	1	200-230/460/60/3	138-142, 230/460/60/3	702.00
			138-148, 200/60/3	
1636-013	1½	115/230/60/1	---	1,086.00
1661-025	1½	200-230/460/60/3	1636-010, 230/460/60/3	850.00
			1636-019, 200/60/3	
1638-012	2	115/230/60/1	---	1,098.00
1661-026	2	200-230/460/60/3	1638-010, 230/460/60/3	935.00
			1638-015, 200/60/3	
1661-027	3	200-230/460/60/3	1640-010, 230/460/60/3	988.00
			1640-013, 200/60/3	

Please note existing part numbers will not switch over to new part numbers until stock is depleted. Transition should be complete by end of year 2011.

▶ Price has been adjusted.

**Do it Once. Do it Right.™**

TACO INC., 1160 Cranston Street, Cranston, RI 02920 Telephone: (401) 942-8000 Fax: (401) 942-2360  
 TACO (Canada), Ltd., 8450 Lawson Road, Milton, Ontario L9T 0J8 Telephone: (905) 564-9422 Fax: (905) 564-9436  
 Visit our website at: [www.taco-hvac.com](http://www.taco-hvac.com)

Printed in USA

Copyright 2006

TACO, Inc.



# Replacement Parts List Prices

## TA Pumps

**Supersedes:** January 31, 2011

**Effective:** February 04, 2013

I.D. No.	Item #3 Plug	List Price
2	Hardware Item	
I.D. No.	Item #4 & 4A Gask. Set	List Price
1	951-424RP	\$75.05
2	951-416RP	71.80
3	951-412RP	71.80
4	951-386RP	75.05
5	951-390RP	71.80
6	951-392RP	64.30
7	951-396RP	75.05
8	951-398RP	57.30
9	951-422RP	75.05
10	951-404RP	71.80
11	951-410RP	71.80
12	951-388RP	71.80
13	951-400RP	71.80
14	951-394RP	71.80
15	951-402RP	71.80
16	951-406RP	75.05
17	951-408RP	71.80
18	951-420RP	71.80
19	951-382RP	71.80
20	951-384RP	75.05
21	951-418RP	71.80
22	951-414RP	71.80

I.D. No.	Item #5 Brz. Imp. Set	Diameter	List Price
1	950-1219BRP	9.45	\$2,305.00
2	950-1220BRP	9.25	2,428.00
3	950-1221BRP	9.65	2,960.00
4	950-1222BRP	9.95	3,740.00
5	950-1223BRP	11.30	2,760.00
6	950-1224BRP	11.81	2,456.00
7	950-1225BRP	11.90	2,740.00
8	950-1226BRP	11.93	3,550.00
9	950-1227BRP	14.60	3,330.00
10	950-1228BRP	15.60	3,330.00
11	950-1229BRP	9.65	3,010.00
12	950-1230BRP	10.43	5,360.00
13	950-1231BRP	12.80	4,180.00
14	950-1232BRP	13.40	6,510.00
15	950-1233BRP	12.50	5,950.00
16	950-1234BRP	14.60	4,370.00
17	950-1235BRP	15.00	4,050.00
18	950-1236BRP	14.80	4,220.00
19	950-1237BRP	14.90	6,430.00
20	950-1238BRP	16.57	7,300.00
21	950-1239BRP	19.20	10,550.00
22	950-1240BRP	18.90	6,750.00

I.D. No.	Item #9 Imp. Key	List Price
1	950-1241RP	\$16.70
2	950-1242RP	23.45
3	950-1243RP	29.05
4	950-1244RP	36.65
5	950-1245RP	51.75

I.D. No.	Item #10 SS Sleeve Kit	List Price
6	951-158RP	\$1,045.00
7	951-157RP	1,038.00
8	951-159RP	1,206.00
9	951-160RP	1,600.00
10	951-358RP	1,320.00

# TA Pumps

**Effective Date:** February 04, 2013

303-018

PAGE 2 of 4

I.D. No.	Item #10 Brz. Sleeve Kit	List Price
6	950-1246BRP	\$283.50
7	950-1247BRP	287.50
8	950-1248BRP	460.00
9	950-1249BRP	460.00
10	950-1250BRP	460.00
NOTE: Kit contains (1) Sleeve and (1) O Ring		
I.D. No.	Item #15 Sleeve and (1) O Ring	List Price
1	951-176RP	11.40
2	951-177RP	14.20
3	951-178RP	23.45
I.D. No.	Item #17 Wear Ring	List Price
1	950-1251BRP	140.00
2	950-1252BRP	251.50
3	950-1253BRP	270.00
4	950-1254BRP	186.50
5	950-1255BRP	301.00
6	950-1256BRP	181.50
7	950-1257BRP	290.50
8	950-1258BRP	302.00
9	950-1259BRP	735.00
I.D. No.	Item #21 Seal, Type "B"	List Price
1	950-673RP	\$310.50
2	950-674RP	471.50
3	950-675RP	783.00
I.D. No.	Item #21 Seal, Type "D"	List Price
1	950-676RP	\$1,566.00
2	950-677RP	2,054.00
3	950-678RP	1,475.00
I.D. No.	Item #21 Seal, Type "E"	List Price
1	950-679RP	\$1,038.00
2	950-680RP	1,301.00
3	950-681RP	1,842.00
I.D. No.	Item #31 Motor Lockwasher	List Price
	Hardware Item	
I.D. No.	Item #34 Motor Bolts	List Price
	Hardware Item	
I.D. No.	Item #35 Motor Bolts	List Price
	Hardware Item	

I.D. No.	Item #39 Cpl. Guard Screw	List Price
	Hardware Item	
I.D. No.	Item #39 Cpl. Guard	List Price
	951-1743RP	\$34.30
	951-1744RP	119.00
	951-1745RP	129.00
	951-1746RP	114.50
	951-1747RP	167.00
	951-1748RP	231.50
	951-1749RP	251.50
	951-2268RP	310.50
	951-2440RP	264.50
I.D. No.	Item #49 Mtr. Spacer Bolt	List Price
	Hardware Item	
I.D. No.	Item #50 Mtr. Spacer Washer	List Price
	Hardware Item	
I.D. No.	Item #60 Ball Bearing	List Price
1	950-962RP	\$160.50
2	950-963RP	160.50
3	950-964RP	536.00
I.D. No.	Item #61 Shaft (STL)	List Price
1	950-1264RP	\$233.50
2	950-1265RP	264.50
3	950-1266RP	429.00
4	950-1267RP	484.50
5	950-1268RP	553.00
I.D. No.	Item #61 Shaft (SS)	List Price
1	950-1264SRP	\$1,041.00
2	950-1265SRP	1,350.00
3	950-1266SRP	2,053.00
4	950-1267SRP	2,159.00
5	950-1268SRP	2,272.00
I.D. No.	Item #65 Grease Fitt. Set	List Price
1	950-1214RP	\$14.05
I.D. No.	Item #74 Casing Stud & Nut	List Price
	N/A	
I.D. No.	Item #74A Casing Stud & Nut	List Price
	N/A	



# TA Pumps

**Effective Date:** February 04, 2013

303-018

PAGE 3 of 4

I.D. No.	Item #75 Casing Nut	List Price
1	950-1279RP (25)	\$57.30
2	950-1280RP (24)	51.75
3	950-1281RP (26)	60.55
NOTE: (Quantities) per RP		
I.D. No.	Item #77 Brg. Hsg. (NDE)	List Price
1	950-1282RP	\$101.00
2	950-1283RP	174.50
3	950-1284RP	195.50
I.D. No.	Item #78 Brg. Hsg. (DE)	List Price
1	950-1285RP	\$101.00
2	950-1286RP	174.50
3	950-1287RP	195.50
I.D. No.	Item #79 O Ring Set	List Price
	950-965RP	\$75.05
	950-966RP	83.05
	951-369RP	153.00
	951-370RP	49.30
	951-614RP	115.00
I.D. No.	Item #65 Grease Fitt. Set	List Price
	Hardware Item	
I.D. No.	Item #82 Oil Seal Set	List Price
1	950-1289RP	\$149.00
2	950-1290RP	215.00
3	950-1291RP	283.50
I.D. No.	Item #83 Nut Brg. Ret.	List Price
1	950-1292RP	\$11.40
2	950-1293RP	19.90
3	950-1294RP	23.45
I.D. No.	Item #84 Lockwasher	List Price
	Hardware Item	
I.D. No.	Item #85 Shoulder Ring Set	List Price
1	950-1295RP	\$38.50
2	950-1296RP	49.30
3	950-1297RP	103.00

I.D. No.	Item #86 Plug	List Price
	Hardware Item	
I.D. No.	Item #91 Plug	List Price
	Hardware Item	
I.D. No.	Item #92 Plug	List Price
	Hardware Item	
I.D. No.	Item #94 Plug (DE)	List Price
	Hardware Item	
I.D. No.	Item #95 Plug (NDE)	List Price
	Hardware Item	
I.D. No.	Item #99 Hex Hd. Screw	List Price
	Hardware Item	
I.D. No.	(CW) Rotating Elem Assy.	List Price
	951-1843RP	\$10,060.00
	951-1844RP	6,020.00
	951-1845RP	6,360.00
	951-1846RP	6,420.00
	951-1847RP	8,620.00
	951-1848RP	7,140.00
	951-1849RP	7,700.00
	951-1850RP	7,170.00
	951-1851RP	9,200.00
	951-1852RP	9,690.00
	951-1853RP	9,000.00
	951-1854RP	10,620.00
	951-1855RP	10,070.00
	951-1856RP	10,830.00
	951-1857RP	11,010.00
	951-1858RP	13,500.00
	951-1859RP	15,230.00
	951-1860RP	15,430.00
	951-1861RP	19,540.00
	951-1862RP	14,790.00
	951-1863RP	17,580.00
	951-1864RP	19,050.00

# TA Pumps

Effective Date: February 04, 2013

303-018

PAGE 4 of 4

I.D. No.	(CCW) Rotating Elem Assy	List Price
	951-1865RP	\$10,060.00
	951-1866RP	6,020.00
	951-1867RP	6,360.00
	951-1868RP	6,420.00
	951-1869RP	8,620.00
	951-1870RP	7,140.00
	951-1871RP	7,700.00
	951-1872RP	7,170.00
	951-1873RP	9,200.00
	951-1874RP	9,690.00
	951-1875RP	9,000.00
	951-1876RP	10,620.00
	951-1877RP	10,070.00
	951-1878RP	10,830.00
	951-1879RP	11,010.00
	951-1880RP	13,700.00
	951-1881RP	15,230.00
	951-1882RP	15,430.00
	951-1883RP	19,540.00
	951-1884RP	14,790.00
	951-1885RP	17,580.00
	951-1886RP	19,050.00

**Do it Once. Do it Right.™**

TACO INC., 1160 Cranston Street, Cranston, RI 02920 Telephone: (401) 942-8000 Fax: (401) 942-2360  
TACO (Canada), Ltd., 8450 Lawson Road, Milton, Ontario L9T 0J8 Telephone: (905) 564-9422 Fax: (905) 564-9436  
Visit our website at: [www.taco-hvac.com](http://www.taco-hvac.com)

Printed in USA

Copyright 2006

TACO, Inc.



# Suggested List Prices

303-019

PAGE 1 of 9

## "1900" Series Pumps

**Supersedes:** January 30, 2012

**Updated:** January 28, 2015

**Effective:** February 04, 2013

**STANDARD CONSTRUCTION: CAST IRON Stainless Steel FITTED**  
 Cast Iron Casing, Stainless Steel Impeller, EPT Ceramic Seal and Companion Flanges

### STANDARD EFFICIENCY MOTORS

1750 RPM UNITS						LIST ADDITIONS (\$)		
Model No.	Motor H.P.	Flange* Size	LIST PRICE (\$)		Approx. Unit Wt./Lbs.	TEFC MTR.		All Bronze
			Single Phase ODP	Three Phase ODP		Single Phase	Three Phase	
1911	¼	1½ STD 2 OPTIONAL	1,161.00	1,253.00	60	127.00	135.50	831.00
	⅓		1,262.00	1,340.00	62	135.50	151.50	831.00
	½		1,411.00	1,451.00	65	148.50	163.00	831.00
1915	⅓	1½ STD 2 OPTIONAL	1,310.00	1,451.00	85	135.50	151.50	868.00
	½		1,518.00	1,538.00	89	148.50	163.00	868.00
	¾		1,832.00	1,861.00	90	163.00	177.50	868.00
	1		2,036.00	2,058.00	100	177.50	189.00	868.00
1919	¾	2	1,889.00	1,922.00	90	163.00	177.50	909.00
	1		2,211.00	2,250.00	100	177.50	189.00	909.00
	1½		2,395.00	2,357.00	125	212.00	212.00	909.00
	2		2,978.00	2,530.00	135	N/A	236.00	909.00
1935	½	2	1,631.00	1,701.00	90	148.50	163.00	960.00
	¾		1,842.00	1,899.00	95	163.00	177.50	960.00
	1		2,224.00	2,250.00	100	177.50	189.00	960.00
	1½		2,462.00	2,436.00	110	212.00	212.00	960.00
1941	1½	2	2,800.00	2,740.00	125	212.00	212.00	1,033.00
	2		3,338.00	3,000.00	145	N/A	236.00	1,033.00
	**3		N/A	3,190.00	156	N/A	N/A	1,033.00

\*Must specify companion flange size at time of order.

\*\*Three horsepower 1750 rpm is TEFC ONLY.

\*\*\*For VFD reference refer to last page of this price sheet .

**Do it Once. Do it Right.™**

TACO INC., 1160 Cranston Street, Cranston, RI 02920 Telephone: (401) 942-8000 Fax: (401) 942-2360  
 TACO (Canada), Ltd., 8450 Lawson Road, Milton, Ontario L9T 0J8 Telephone: (905) 564-9422 Fax: (905) 564-9436  
 Visit our website at: [www.taco-hvac.com](http://www.taco-hvac.com)

Printed in USA

Copyright 2006

TACO, Inc.

# "1900" Series Pumps

Effective Date: February 04, 2013

303-019

PAGE 2 of 9

## STANDARD EFFICIENCY MOTORS

3450 RPM UNITS					LIST ADDITIONS (\$)			
Model No.	Motor H.P.	Flange* Size	LIST PRICE (\$)		Approx. Unit Wt./Lbs.	TEFC Single Phase	MTR. Three Phase	All Bronze
			Single Phase	Three Phase				
1911	1½	1½ STD 2 OPTIONAL	N/A	2,052.00	60	N/A	256.50	831.00
	2			2,147.00	67		289.50	831.00
	3			2,252.00	76		313.50	831.00
	5			2,900.00	103		356.50	831.00
1915	2	1½ STD 2 OPTIONAL	N/A	2,357.00	103	N/A	289.50	868.00
	3			2,464.00	112		313.50	
	5			3,070.00	139		356.50	
	7½			3,500.00	149		429.00	
1935	2	2	N/A	2,580.00	108	N/A	289.50	960.00
	3			2,660.00	117		313.50	960.00
	5			3,240.00	144		356.50	960.00
	7½			3,590.00	154		429.00	960.00

\*Must specify companion flange size at time of order.

### 1900 SERIES SEAL OPTION

#### MODEL NOTES:

1. Single phase ODP & TEFC motors are 115/230/60/1ph or 115/208/230/60/1ph (factory choice).
2. Three phase ODP & TEFC motors are 208/230/460/60/3ph or 230/460/60/3ph (factory choice).
3. All motors are sealed ball bearing design and do not include overload protection. Three phase units require starters with overload protection.
4. Ceramic Seal Standard on **ALL** pumps.

EPT "Sealide C" List Add  
\$269.00

Pump Less Motor: Pump includes casing, maximum diameter impeller, shaft extension, shaft sleeve, mechanical seal, adaptor and companion flanges.

Model Number	Pump Less Motor	Motor Frame
1911	\$801.00	56C
1915	1,110.00	56C
1919	1,262.00	56C
1935	1,262.00	56C
1941	1,490.00	56C

\*\*\*For VFD reference refer to last page of this price sheet .

**Do it Once. Do it Right.™**

TACO INC., 1160 Cranston Street, Cranston, RI 02920 Telephone: (401) 942-8000 Fax: (401) 942-2360  
 TACO (Canada), Ltd., 8450 Lawson Road, Milton, Ontario L9T 0J8 Telephone: (905) 564-9422 Fax: (905) 564-9436  
 Visit our website at: www.taco-hvac.com

Printed in USA  
 Copyright 2006  
 TACO, Inc.

# "1900" Series Pumps

**Effective Date:** February 04, 2013

303-019

PAGE 3 of 9

**STANDARD CONSTRUCTION: CAST IRON STAINLESS STEEL FITTED**  
**Cast Iron Casing, Stainless Steel Impeller, EPT Ceramic Seal and Companion Flanges**  
**PREMIUM EFFICIENCY MOTORS**

**3 Phase 208-230/460V - Not Available in Single Phase**

1750 RPM UNITS					LIST ADDITIONS (\$)			
Model No.	Motor H.P.	Flange* Size	LIST PRICE (\$)	Unit Wt. (lbs.)	TEFC	All Bronze	ODP AEGIS Ring	TEFC AEGIS Ring
1911	1/2**	1 1/2 STD 2 OPTNL	2,121.00	65	Std	831.00	N/A	337.50
	3/4**		2,172.00	70	Std	831.00	N/A	337.50
	1		2,115.00	70	189.00	831.00	269.50	296.00
1915	1/2**	1 1/2 STD 2 OPTNL	2,165.00	89	Std	868.00	N/A	337.50
	3/4**		2,427.00	90	Std	868.00	N/A	337.50
	1		2,477.00	100	189.00	868.00	269.50	296.00
	1 1/2		2,660.00	110	212.00	868.00	369.00	342.50
1919	3/4**	2	2,550.00	90	Std	909.00	N/A	337.50
	1		2,660.00	100	189.00	909.00	269.50	296.00
	1 1/2		2,800.00	125	212.00	909.00	369.00	342.50
	2		2,910.00	135	368.00	909.00	350.00	368.00
1935	1/2**	2	2,330.00	90	Std	960.00	N/A	337.50
	3/4**		2,479.00	95	Std	960.00	N/A	337.50
	1		2,610.00	100	189.00	960.00	269.50	296.00
	1 1/2		2,790.00	110	212.00	960.00	369.00	342.50
1941	1 1/2	2	2,830.00	125	212.00	1,033.00	369.00	342.50
	2		3,160.00	145	368.00	1,033.00	350.00	368.00
	3		3,390.00	156	472.00	1,033.00	394.50	418.00

\* Must specify companion flange size at time of order.

\*\* Only available in TEFC.

\*\*\*For VFD reference refer to last page of this price sheet .

**Do it Once. Do it Right.™**

TACO INC., 1160 Cranston Street, Cranston, RI 02920 Telephone: (401) 942-8000 Fax: (401) 942-2360  
 TACO (Canada), Ltd., 8450 Lawson Road, Milton, Ontario L9T 0J8 Telephone: (905) 564-9422 Fax: (905) 564-9436  
 Visit our website at: [www.taco-hvac.com](http://www.taco-hvac.com)

Printed in USA

Copyright 2006

TACO, Inc.

# "1900" Series Pumps

Effective Date: February 04, 2013

303-019

PAGE 4 of 9

**STANDARD CONSTRUCTION: CAST IRON STAINLESS STEEL FITTED**  
 Cast Iron Casing, Stainless Steel Impeller, EPT Ceramic Seal and Companion Flanges  
 PREMIUM EFFICIENCY MOTORS

## 3 Phase 208-230/460V - Not Available in Single Phase

3450 RPM UNITS					LIST ADDITIONS (\$)			
Model No.	Motor H.P.	Flange* Size	LIST PRICE (\$)	Unit Wt. (lbs.)	TEFC	All Bronze	ODP AEGIS Ring	TEFC AEGIS Ring
1911	1 ½	1 ½ STD 2 OPTNL	2,432.00	60	256.50	831.00	340.50	342.50
	2		2,490.00	67	289.50	831.00	367.00	341.50
	3		2,760.00	76	313.50	831.00	394.50	397.00
	5		3,390.00	76	356.50	831.00	573.00	349.00
1915	2	1 ½ STD 2 OPTNL	2,640.00	103	289.50	868.00	367.00	341.50
	3		2,910.00	112	313.50	868.00	394.50	397.00
	5		3,520.00	139	356.50	868.00	573.00	349.00
	7 ½		4,080.00	149	429.00	868.00	486.50	424.50
1935	2	2	2,790.00	103	289.50	960.00	367.00	341.50
	3		3,050.00	112	313.50	960.00	394.50	397.00
	5		3,640.00	139	356.50	960.00	573.00	349.00
	7 ½		4,150.00	154	429.00	960.00	486.50	424.50

See Following Pages For Pricing Of 1900 With VFD

\*\*\*For VFD reference refer to last page of this price sheet .

**Do it Once. Do it Right.™**

TACO INC., 1160 Cranston Street, Cranston, RI 02920 Telephone: (401) 942-8000 Fax: (401) 942-2360  
 TACO (Canada), Ltd., 8450 Lawson Road, Milton, Ontario L9T 0J8 Telephone: (905) 564-9422 Fax: (905) 564-9436  
 Visit our website at: [www.taco-hvac.com](http://www.taco-hvac.com)

Printed in USA

Copyright 2006

TACO, Inc.

# "1900" Series Pumps

Effective Date: February 04, 2013

303-019

PAGE 5 of 9

## 1900 SERIES WITH INTEGRAL VFD AND PREMIUM EFFICIENCY MOTORS

Model No.	RPM	Motor HP	Input Voltage	*ODP List (\$)	*TEFC List (\$)	Weight	LIST ADDITIONS (\$)		
							ODP AEGIS	TEFC AEGIS	All Bronze
1911	1750	1/2	100-120/1	2,393.00	2,560.00	79	269.50	337.50	831.00
			200/3	2,680.00	2,850.00	77	262.00	371.50	831.00
			208-240/1	2,393.00	2,560.00	79	269.50	337.50	831.00
			208-240/3	2,366.00	2,530.00	77	269.50	337.50	831.00
			380-480/3	2,740.00	2,890.00	77	269.50	337.50	831.00
		3/4	100-120/1	2,500.00	2,680.00	84	269.50	337.50	831.00
			200/3	2,690.00	2,870.00	82	262.00	371.50	831.00
			208-240/1	2,433.00	2,610.00	84	269.50	337.50	831.00
			208-240/3	2,560.00	2,750.00	82	269.50	337.50	831.00
			380-480/3	2,750.00	2,930.00	82	269.50	337.50	831.00
		1	100-120/1	2,650.00	2,840.00	84	269.50	296.00	831.00
			200/1	2,950.00	3,150.00	84	262.00	325.50	831.00
			200/3	2,850.00	3,060.00	82	262.00	325.50	831.00
			208-240/1	2,620.00	2,810.00	84	269.50	296.00	831.00
			208-240/3	2,710.00	2,900.00	82	269.50	296.00	831.00
	380-480/3		2,890.00	3,090.00	82	269.50	296.00	831.00	
	3450	1.5	200/1	3,160.00	3,410.00	74	374.50	376.50	831.00
			200/3	3,070.00	3,320.00	72	374.50	376.50	831.00
			208-240/1	2,700.00	2,960.00	74	340.50	342.50	831.00
			208-240/3	2,780.00	3,050.00	72	340.50	342.50	831.00
			380-480/3	2,910.00	3,180.00	72	340.50	342.50	831.00
		2	200/1	3,180.00	3,480.00	81	403.00	376.50	831.00
			200/3	3,090.00	3,380.00	79	403.00	376.50	831.00
			208-240/1	2,720.00	3,030.00	81	367.00	341.50	831.00
			208-240/3	2,800.00	3,100.00	79	367.00	341.50	831.00
			380-480/3	2,940.00	3,230.00	79	367.00	341.50	831.00
		3	200/1	3,620.00	3,930.00	90	433.50	436.00	831.00
			200/3	3,530.00	3,840.00	88	433.50	436.00	831.00
			208-240/1	3,160.00	3,480.00	90	394.50	397.00	831.00
			208-240/3	3,240.00	3,570.00	88	394.50	397.00	831.00
			380-480/3	3,380.00	3,700.00	88	394.50	397.00	831.00
	5	200/3	4,090.00	4,440.00	88	630.00	384.00	831.00	
		208-240/3	3,810.00	4,170.00	88	573.00	349.00	831.00	
		380-480/3	3,930.00	4,310.00	88	573.00	349.00	831.00	

► Item pricing added

\*\*\*For VFD reference refer to last page of this price sheet .

**Do it Once. Do it Right.™**

TACO INC., 1160 Cranston Street, Cranston, RI 02920 Telephone: (401) 942-8000 Fax: (401) 942-2360  
 TACO (Canada), Ltd., 8450 Lawson Road, Milton, Ontario L9T 0J8 Telephone: (905) 564-9422 Fax: (905) 564-9436  
 Visit our website at: [www.taco-hvac.com](http://www.taco-hvac.com)

Printed in USA

Copyright 2006

TACO, Inc.

# "1900" Series Pumps

Effective Date: February 04, 2013

303-019

PAGE 6 of 9

## 1900 SERIES WITH INTEGRAL VFD AND PREMIUM EFFICIENCY MOTORS

Model No.	RPM	Motor HP	Input Voltage	* ODP List (\$)	* TEFC List (\$)	Weight	LIST ADDITIONS (\$)		
							ODP AEGIS	TEFC AEGIS	All Bronze
1915	1750	1/2	100-120/1	2,393.00	2,560.00	103	269.50	337.50	868.00
			200/3	2,680.00	2,850.00	103	262.00	371.50	868.00
			208-240/1	2,393.00	2,560.00	103	269.50	337.50	868.00
			208-240/3	2,366.00	2,530.00	101	269.50	337.50	868.00
			380-480/3	2,740.00	2,890.00	101	269.50	337.50	868.00
		3/4	100-120/1	2,610.00	2,790.00	104	269.50	337.50	868.00
			200/3	2,800.00	2,980.00	104	262.00	371.50	868.00
			208-240/1	2,540.00	2,710.00	104	269.50	337.50	868.00
			208-240/3	2,670.00	2,850.00	102	269.50	337.50	868.00
			380-480/3	2,850.00	3,040.00	102	269.50	337.50	868.00
		1	100-120/1	2,760.00	2,950.00	114	269.50	296.00	868.00
			200/1	3,060.00	3,240.00	114	262.00	325.50	868.00
			200/3	2,960.00	3,150.00	114	262.00	325.50	868.00
			208-240/1	2,720.00	2,910.00	114	269.50	296.00	868.00
			208-240/3	2,820.00	3,020.00	112	269.50	296.00	868.00
	1.5	380-480/3	3,010.00	3,190.00	112	269.50	296.00	868.00	
		200/1	3,130.00	3,350.00	124	343.50	381.50	868.00	
		200/3	3,040.00	3,260.00	124	343.50	381.50	868.00	
		208-240/1	2,820.00	3,040.00	124	369.00	342.50	868.00	
		208-240/3	2,900.00	3,120.00	122	369.00	342.50	868.00	
	3450	2	380-480/3	3,050.00	3,260.00	122	369.00	342.50	868.00
			200/1	3,290.00	3,580.00	117	403.00	376.50	868.00
			200/3	3,190.00	3,480.00	117	403.00	376.50	868.00
			208-240/1	2,820.00	3,120.00	117	367.00	341.50	868.00
			208-240/3	2,900.00	3,200.00	115	367.00	341.50	868.00
		3	380-480/3	3,050.00	3,340.00	115	367.00	341.50	868.00
			200/1	3,720.00	4,050.00	126	433.50	436.00	868.00
			200/3	3,630.00	3,940.00	126	433.50	436.00	868.00
			208-240/1	3,270.00	3,590.00	126	394.50	397.00	868.00
			208-240/3	3,350.00	3,670.00	124	394.50	397.00	868.00
5		380-480/3	3,480.00	3,810.00	124	394.50	397.00	868.00	
		200/3	4,190.00	4,560.00	151	630.00	384.00	868.00	
		208-240/3	3,900.00	4,270.00	151	573.00	349.00	868.00	
		380-480/3	4,050.00	4,400.00	151	573.00	349.00	868.00	

► Item pricing added

\*\*\*For VFD reference refer to last page of this price sheet .

**Do it Once. Do it Right.™**

TACO INC., 1160 Cranston Street, Cranston, RI 02920 Telephone: (401) 942-8000 Fax: (401) 942-2360  
 TACO (Canada), Ltd., 8450 Lawson Road, Milton, Ontario L9T 0J8 Telephone: (905) 564-9422 Fax: (905) 564-9436  
 Visit our website at: [www.taco-hvac.com](http://www.taco-hvac.com)

Printed in USA

Copyright 2006

TACO, Inc.



# "1900" Series Pumps

Effective Date: February 04, 2013

303-019

PAGE 7 of 9

## 1900 SERIES WITH INTEGRAL VFD AND PREMIUM EFFICIENCY MOTORS

Model No.	RPM	Motor HP	Input Voltage	* ODP List (\$)	* TEFC List (\$)	Weight	LIST ADDITIONS (\$)		
							ODP AEGIS	TEFC AEGIS	All Bronze
1919	1750	3/4	100-120/1	2,780.00	2,960.00	104	269.50	337.50	909.00
			200/3	2,980.00	3,160.00	104	262.00	371.50	909.00
			208-240/1	2,710.00	2,890.00	104	269.00	337.50	909.00
			208-240/3	2,840.00	3,030.00	102	269.50	337.50	909.00
			380-480/3	3,030.00	3,200.00	102	269.50	337.50	909.00
		1	100-120/1	2,940.00	3,130.00	114	269.50	296.00	909.00
			200/1	3,230.00	3,420.00	114	262.00	325.50	909.00
			200/3	3,140.00	3,330.00	114	262.00	325.50	909.00
			208-240/1	2,890.00	3,100.00	114	269.50	296.00	909.00
			208-240/3	3,010.00	3,190.00	112	269.50	296.00	909.00
		1.5	380-480/3	3,180.00	3,370.00	112	269.50	296.00	909.00
			200/1	3,690.00	3,900.00	139	389.50	362.00	909.00
			200/3	3,600.00	3,810.00	139	389.50	362.00	909.00
			208-240/1	3,010.00	3,210.00	139	369.00	342.50	909.00
			208-240/3	3,080.00	3,300.00	137	369.00	342.50	909.00
		2	380-480/3	3,210.00	3,430.00	137	369.00	342.50	909.00
			200/1	3,500.00	3,870.00	149	385.50	351.00	909.00
			200/3	3,400.00	3,780.00	149	385.50	351.00	909.00
			208-240/1	3,170.00	3,550.00	149	350.00	368.00	909.00
			208-240/3	3,260.00	3,630.00	147	350.00	368.00	909.00
1935	1750	1/2	380-480/3	3,380.00	3,760.00	147	350.00	368.00	909.00
			100-120/1	2,560.00	2,720.00	104	269.50	337.50	960.00
			200/3	2,850.00	3,030.00	104	262.00	371.50	960.00
			208-240/1	2,560.00	2,720.00	104	269.50	337.50	960.00
			208-240/3	2,540.00	2,700.00	102	269.50	337.50	960.00
		3/4	380-480/3	2,900.00	3,080.00	102	269.50	337.50	960.00
			100-120/1	2,670.00	2,850.00	109	269.50	337.50	960.00
			200/3	2,860.00	3,050.00	109	262.00	371.50	960.00
			208-240/1	2,600.00	2,780.00	109	269.50	337.50	960.00
			208-240/3	2,740.00	2,910.00	107	269.50	337.50	960.00
		1	380-480/3	2,910.00	3,100.00	107	269.50	337.50	960.00
			100-120/1	2,820.00	3,030.00	114	269.50	296.00	960.00
			200/1	3,130.00	3,320.00	114	262.00	325.50	960.00
			200/3	3,040.00	3,220.00	114	262.00	325.50	960.00
			208-240/1	2,790.00	2,980.00	114	269.50	296.00	960.00
			208-240/3	2,880.00	3,080.00	112	269.50	296.00	960.00
			380-480/3	3,070.00	3,270.00	112	269.50	296.00	960.00

\*\*\*For VFD reference refer to last page of this price sheet .

**Do it Once. Do it Right.™**

TACO INC., 1160 Cranston Street, Cranston, RI 02920 Telephone: (401) 942-8000 Fax: (401) 942-2360  
 TACO (Canada), Ltd., 8450 Lawson Road, Milton, Ontario L9T 0J8 Telephone: (905) 564-9422 Fax: (905) 564-9436  
 Visit our website at: [www.taco-hvac.com](http://www.taco-hvac.com)

Printed in USA

Copyright 2006

TACO, Inc.

# "1900" Series Pumps

303-019

Effective Date: February 04, 2013

PAGE 8 of 9

## 1900 SERIES WITH INTEGRAL VFD AND PREMIUM EFFICIENCY MOTORS 3 Phase 208-230/460V - Not Available in Single Phase

Model No.	RPM	Motor HP	Input Voltage	* ODP List (\$)	* TEFC List (\$)	Weight	LIST ADDITIONS (\$)				
							ODP AEGIS	TEFC AEGIS	All Bronze		
1935	1750	1.5	200/1	3,580.00	3,800.00	124	389.50	362.00	960.00		
			200/3	3,480.00	3,700.00	124	389.50	362.00	960.00		
			208-240/1	2,880.00	3,110.00	124	369.00	342.50	960.00		
			208-240/3	2,970.00	3,180.00	122	369.00	342.50	960.00		
			380-480/3	3,110.00	3,320.00	122	369.00	342.50	960.00		
1935	3450	2	200/1	3,350.00	3,650.00	117	403.00	376.50	960.00		
			200/3	3,260.00	3,560.00	117	403.00	376.50	960.00		
			208-240/1	2,890.00	3,190.00	117	367.00	341.50	960.00		
			208-240/3	2,980.00	3,270.00	115	367.00	341.50	960.00		
			380-480/3	3,110.00	3,400.00	115	367.00	341.50	960.00		
		3	200/1	3,790.00	4,120.00	126	433.50	436.00	960.00		
			200/3	3,690.00	4,020.00	126	433.50	436.00	960.00		
			208-240/1	3,330.00	3,660.00	126	394.50	397.00	960.00		
			208-240/3	3,410.00	3,730.00	124	394.50	397.00	960.00		
			380-480/3	3,560.00	3,870.00	124	394.50	397.00	960.00		
	5	200/3	4,250.00	4,620.00	151	630.00	384.00	960.00			
		208-240/3	3,970.00	4,340.00	151	573.00	349.00	960.00			
		380-480/3	4,110.00	4,470.00	151	573.00	349.00	960.00			
		1941	1750	1.5	200/1	3,240.00	3,470.00	139	343.50	381.50	1,033.00
					200/3	3,150.00	3,370.00	139	343.50	381.50	1,033.00
208-240/1	2,940.00				3,150.00	139	369.00	342.50	1,033.00		
208-240/3	3,030.00				3,230.00	137	369.00	342.50	1,033.00		
380-480/3	3,150.00				3,370.00	137	369.00	342.50	1,033.00		
2	200/1	3,430.00		3,810.00	159	385.50	351.00	1,033.00			
	200/3	3,340.00		3,710.00	159	385.50	351.00	1,033.00			
	208-240/1	3,110.00		3,480.00	159	350.00	368.00	1,033.00			
	208-240/3	3,190.00		3,570.00	157	350.00	368.00	1,033.00			
	380-480/3	3,330.00		3,700.00	157	350.00	368.00	1,033.00			
3	200/1	3,730.00	4,210.00	170	433.50	459.00	1,033.00				
	200/3	3,640.00	4,120.00	170	433.50	459.00	1,033.00				
	208-240/1	3,360.00	3,850.00	170	394.50	418.00	1,033.00				
	208-240/3	3,410.00	3,890.00	168	394.50	418.00	1,033.00				
	380-480/3	3,560.00	4,050.00	168	394.50	418.00	1,033.00				

\*\*\*For VFD reference refer to last page of this price sheet .

**Do it Once. Do it Right.™**

TACO INC., 1160 Cranston Street, Cranston, RI 02920 Telephone: (401) 942-8000 Fax: (401) 942-2360  
 TACO (Canada), Ltd., 8450 Lawson Road, Milton, Ontario L9T 0J8 Telephone: (905) 564-9422 Fax: (905) 564-9436  
 Visit our website at: [www.taco-hvac.com](http://www.taco-hvac.com)

Printed in USA

Copyright 2006

TACO, Inc.

# "1900" Series Pumps

Effective Date: February 04, 2013

303-019

PAGE 9 of 9

Motor HP	Input Voltage				
	Single Phase		Three Phase		
	100V - 120V	200V - 240V	200V - 240V	380V - 480V	525V - 600V
1/2	ATV12H037F1	ATV12H037M2	ATV12H037M3	ATV212H075N4	ATV312H075S6
3/4	ATV12H075F1	ATV12H055M2	ATV212H075M3X		
1		ATV12H075M2			
1 1/2	N/A	ATV12HU15M2	ATV212HU15M3X	ATV212HU15MN4	ATV312HU15S6
2		ATV12HU22M2	ATV212HU22M3X	ATV212HU22MN4	ATV312HU22S6
3					
5					

For VFD drive specifications, weights and options, see the following Taco VFD Submittal Data Sheets:

ATV12 - Taco Submittal No. 301-1891  
 ATV212 - Taco Submittal No. 301-1890  
 ATV312 - Taco Submittal No. 301-1897

\*\*\*For VFD reference refer to last page of this price sheet .

**Do it Once. Do it Right.™**

TACO INC., 1160 Cranston Street, Cranston, RI 02920 Telephone: (401) 942-8000 Fax: (401) 942-2360  
 TACO (Canada), Ltd., 8450 Lawson Road, Milton, Ontario L9T 0J8 Telephone: (905) 564-9422 Fax: (905) 564-9436  
 Visit our website at: [www.taco-hvac.com](http://www.taco-hvac.com)

Printed in USA

Copyright 2006

TACO, Inc.



# Replacement Parts List Prices

303-020

PAGE 1 of 2

## "1900" Series Pumps

**Supersedes:** January 31, 2011

**Effective:** February 04, 2013

Item No. 4 IMPELLER WASHER	
1600-151RP	\$7.10
Item No. 5 IMPELLER BOLT	
1600-215RP	\$19.00
Item No. 8 BODY, CAST IRON	
1610-001RP	\$476.50
1614-001RP	545.00
1618-004RP	669.00
1634-001RP	645.00
1640-002RP	984.00
Item No. 8 BODY, BRONZE	
1610-001BRP	\$1,940.00
1614-001BRP	2,038.00
1618-004BRP	2,195.00
1634-001BRP	2,490.00
1640-002BRP	3,710.00

Item No. 15 BRACKET, CAST IRON		
1911	1900-015RP	\$433.00
1915, 1935	1900-002RP	455.00
1919, 1941	1900-016RP	505.00
Item No. 15 BRACKET, BRONZE		
1911	1900-017RP	\$492.50
1915, 1935	1900-019RP	589.00
1919, 1941	1900-018RP	827.00
Item No. 25 IMPELLER ASSEMBLY, BRONZE		
1611-001BRP		\$383.00
1615-001BRP		427.50
1619-001BRP		839.00
1635-001BRP		721.00
1641-001BRP		742.00
Please specify desired impeller cut.		
Item No. 29 WATER SEAL KIT		
1600-868CRP	Ceramic	\$117.50
1600-868SRP	Sealide C (Silicon Carbide)	652.00

# 1900 Series Pumps

Effective Date: February 04, 2013

303-020

PAGE 2 of 2

Item No. 31 MOTOR ASSEMBLY			
¼	121-199RP	115/208/230/60/1	\$919.00
¼	121-200RP	200/60/3	999.00
¼	121-201RP	208/230/460/60/3	919.00
⅓	131-192RP	115/208/230/60/1	1,000.00
⅓	131-193RP	200/60/3	1,066.00
⅓	131-194RP	208/230/460/60/3	960.00
½	132-169RP	115/208/230/60/1	1,098.00
½	132-170RP	200/60/3	1,158.00
½	132-171RP	208/230/460/60/3	1,047.00
½	132-189RP	575/60/3*	1,196.00
¾	133-175RP	115/208/230/60/1	1,262.00
¾	133-176RP	200/60/3	1,262.00
¾	133-177RP	208/230/460/60/3	1,132.00
¾	133-191RP	575/60/3*	1,311.00
1	138-166RP	115/208/230/60/1	1,396.00
1	138-167RP	200/60/3	1,294.00
1	138-168RP	208/230/460/60/3	1,160.00
1	138-195RP	575/60/3*	1,358.00
1½	138-169RP	115/208/230/60/1	1,647.00
1½	138-170RP	200/60/3	1,459.00
1½	138-171RP	208/230/460/60/3	1,301.00
1½	138-196RP	575/60/3*	1,544.00
2	138-173RP	200/60/3	1,647.00
2	138-174RP	208/230/460/60/3	1,466.00
2	138-187RP	575/60/3*	1,754.00

\*NOTE: All 575/60/3 motors available as TEFC only

Item No. 35 SLEEVE		
1600-205RP		\$38.75
Item No. 36 FLANGE SET, CAST IRON		
1600-031RP	(1½)	\$128.00
1600-032RP	(2)	132.00
1600-174RP	(2)	266.00
Item No. 36 FLANGE SET, BRONZE		
1600-031BRP	(1½)	\$378.50
1600-032BRP	(2)	378.50
1600-174BRP	(2)	514.00
Item No. 42 SHAFT ADAPTER		
1900-008RP		\$277.50
Item No. 114 FLANGE GASKET ONLY		
1600-169RP	Round Cork	\$32.10
BODY GASKET		
1600-024RP		\$7.10
133-014RP		7.10
1618-006RP		27.75
Item No. 161 GASKET KIT		
1600-050RP		\$75.50
1618-006RP		27.75

**Do it Once. Do it Right.**

TACO INC., 1160 Cranston Street, Cranston, RI 02920 Telephone: (401) 942-8000 Fax: (401) 942-2360  
 TACO (Canada), Ltd., 8450 Lawson Road, Milton, Ontario L9T 0J8 Telephone: (905) 564-9422 Fax: (905) 564-9436  
 Visit our website at: [www.taco-hvac.com](http://www.taco-hvac.com)

Printed in USA

Copyright 2006

TACO, Inc.

# Suggested List Prices

## "1900" Series Pump Motors

### Drop-Ship Program

Effective: May 30, 2011

Effective: February 04, 2013

**Standard Efficiency\***

MOTOR	HP	VOLTAGE	LIST PRICE	WEIGHT (lbs)	LEAD TIME (weeks)
121-199	1/4	115/208-230/1	540.00	20	1 to 2
121-201	1/4	208-230/460/3	539.00	19	1 to 2
131-192	1/3	115/208-230/1	610.00	22	1 to 2
131-193**	1/3	200/60/3	636.00	28	4 to 6
131-194	1/3	208-230/460/3	518.00	21	1 to 2
132-169	1/2	115/208-230/1	619.00	24	1 to 2
132-172**	1/2	115/208-230/1, TEFC	634.00	27	1 to 2
132-170**	1/2	200/60/3	929.00	22	4 to 6
132-171	1/2	208-230/460/3	555.00	22	1 to 2
133-175	3/4	115/208-230/1	723.00	33	1 to 2
133-178**	3/4	115/208-230/1, TEFC	801.00	34	1 to 2
133-176**	3/4	200/60/3	825.00	26	4 to 6
133-177	3/4	208-230/460/3	591.00	27	1 to 2
138-166	1	115/208-230/1	816.00	35	1 to 2
138-167**	1	200/60/3	853.00	29	4 to 6
138-168	1	208-230/460/3	630.00	29	1 to 2
138-169	1.5	115/208-230/1	930.00	42	1 to 2
138-180**	1.5	208-230/460/3, TEFC	728.00	36	1 to 2
138-170**	1.5	200/60/3	1,121.00	33	4 to 6
138-171	1.5	208-230/460/3	730.00	36	1 to 2
138-173**	2	200/60/3	765.00	36	4 to 6
138-174	2	208-230/460/3	743.00	40	1 to 2
138-254**	3	230/460/60/3, TEFC	1,523.00	51	1 to 2

\* Motors are ODP exc where noted.

**Premium Efficiency motors are on the next page.****Please contact your account manager for details of the Drop-Ship Motor Program.****Do it Once. Do it Right.™**

TACO INC., 1160 Cranston Street, Cranston, RI 02920 Telephone: (401) 942-8000 Fax: (401) 942-2360  
 TACO (Canada), Ltd., 8450 Lawson Road, Milton, Ontario L9T 0J8 Telephone: (905) 564-9422 Fax: (905) 564-9436  
 Visit our website at: [www.taco-hvac.com](http://www.taco-hvac.com)

Printed in USA

Copyright 2006

TACO, Inc.

# "1900" Series Pump Motors

303-021

PAGE 2 OF 2

## Premium Efficiency

MOTOR	HP	VOLTAGE	ENCLOSURE	LIST PRICE	WEIGHT (lbs)	LEAD TIME (weeks)
1662-096	1/2	208-230/460	ODP	621.00	30	4 to 6
1662-052	3/4	208-230/460	ODP	694.00	33	4 to 6
1636-057	1	208-230/460	ODP	882.00	35	4 to 6
1662-017	1.5	208-230/460	ODP	838.00	40	4 to 6
1662-029	2	208-230/460	ODP	1,123.00	45	4 to 6
1662-021	3	208-230/460	ODP	1,370.00	72	4 to 6
<b>TEFC</b>						
1662-102	1/2	208-230/460	TEFC	670.00	31	1 to 2
1662-061	3/4	208-230/460	TEFC	678.00	35	1 to 2
1636-063	1	208-230/460	TEFC	756.00	38	1 to 2
1662-019	1.5	208-230/460	TEFC	813.00	41	1 to 2
138-237	2	208-230/460	TEFC	1,745.00	48	1 to 2
1662-028	3	208-230/460	TEFC	2,166.00	81	4 to 6

**Please contact your account manager for details of the Drop-Ship Motor Program.**

**Do it Once. Do it Right.™**

TACO INC., 1160 Cranston Street, Cranston, RI 02920 Telephone: (401) 942-8000 Fax: (401) 942-2360  
TACO (Canada), Ltd., 8450 Lawson Road, Milton, Ontario L9T 0J8 Telephone: (905) 564-9422 Fax: (905) 564-9436  
Visit our website at: [www.taco-hvac.com](http://www.taco-hvac.com)

Printed in USA

Copyright 2006

TACO, Inc.



# Motor Price Sheet

303-022

## ODP 1200 RPM

Supersedes: May 30, 2011

Effective: February 04, 2013

HP	FRAME	V/Hz/PH	BALDOR(\$)	ORDER #	HOUSE(\$)	ORDER #	▶ BALDOR w/ *AEGIS SGR(\$)	▶ ORDER # *AEGIS SGR
.5 STD	56	B	CF	B0001D	CF	H0001D	-	-
.5 PREM	56	B	CF	B0002D	CF	H0002D	CF	B1886D
.75 STD	143T	B	CF	B0003D	CF	H0003D	-	-
.75 PREM	143T	B	CF	B0004D	CF	H0004D	CF	B1887D
1.0 PREM	145T	B	1,233.00	B0006D	1,233.00	H0006D	1,815.00	B1888D
1.5 PREM	182T	B	1,370.00	B0008D	1,370.00	H0008D	1,983.00	B1889D
2.0 PREM	184T	B	1,659.00	B0010D	1,659.00	H0010D	2,272.00	B1890D
3.0 PREM	213T	B	1,941.00	B0012D	1,941.00	H0012D	2,610.00	B1891D
5.0 PREM	215T	B	3,010.00	B0014D	3,010.00	H0014D	3,680.00	B1892D
7.5 PREM	254T	B	3,670.00	B0016D	3,670.00	H0016D	4,460.00	B1893D
10 PREM	256T	B	4,040.00	B0018D	4,040.00	H0018D	4,830.00	B1894D
15 PREM	284T	B	5,560.00	B0020D	5,560.00	H0020D	6,510.00	B1895D
20 PREM	286T	B	7,110.00	B0022D	7,110.00	H0022D	8,070.00	B1896D
25 PREM	324T	B	7,910.00	B0024D	7,910.00	H0024D	8,920.00	B1897D
30 PREM	326T	B	9,820.00	B0026D	9,820.00	H0026D	10,830.00	B1898D
40 PREM	364T	B	13,880.00	B0028D	13,880.00	H0028D	15,500.00	B1899D
50 PREM	365T	B	14,810.00	B0030D	14,810.00	H0030D	16,420.00	B1900D
60 PREM	404T	B	16,910.00	B0032D	16,910.00	H0032D	18,970.00	B1901D
75 PREM	405T	B	20,830.00	B0645D	19,460.00	H0645D	22,890.00	B1902D
100 PREM	444T	B	22,560.00	B1106D	21,090.00	H1106D	24,750.00	B1903D
125 PREM**	445T	C	30,440.00	B1262D	28,440.00	H1262D	32,640.00	B1904D
150 PREM**	445T	C	35,860.00	B1270D	33,500.00	H1270D	38,050.00	B1905D
200 PREM**	447T	C	42,520.00	B1278D	39,730.00	H1278D	44,710.00	B1906D
250 PREM**	449T	C	51,180.00	B1286D	47,820.00	H1286D	53,370.00	B1907D
300 PREM**	5006	C	94,870.00	B1294D	88,660.00	H1294D	CF	B1908D

▶ **AEGIS Shaft Grounding Ring Option Prices - Note: Only available on Premium motors.**

**\* See page 2 for AEGIS™ SGR Warranty Information**

**\*\* Motors over 100HP with AEGIS™ SGR require an insulated bearing on the opposite drive end to qualify for AEGIS™ SGR Warranty. See pricing.**

All list prices shown are drop ship list prices only.

For factory mounted list prices, the following motor mounting adders apply: [Factory Mounted Adders](#)

To order drop ship motor, use six digit order code  
To order factory mounted motor, replace "D" in order code with "M" (i.e., B0001D would become B0001M)  
Drop ship shipments larger than 1500 lbs. will be shipped FFA.

Drop ship shipments under 1500 lbs. will be shipped collect.

See Scoop book for more detailed information.

For all motors, Consult Factory for pricing on the following features: \*

- Vibration Detectors
- Space Heaters
- RTD in Winding
- Winding Design for Non-Standard Voltages
- Bearing Protection - RTD in Bearing.

### Factory Mounted Adders

56T-326T: \$185.50  
364T and above: \$371.00

### Voltage Code

A=208-230/460/60/3  
B=230/460/60/3  
C=460/60/3  
D=230/60/3  
E=2300/4160/60/3

CF = Consult Factory for motor prices not shown.

### Insulated Bearing Adders

NEMA FRAME	List Adder (\$) (per bearing)
143T-145T	1,078.00
182T-184T	1,424.00
213T-215T	1,917.00
254T-256T	3,150.00
284T-286T	3,960.00
324T-326T	4,410.00
364T-365T	4,572.00
404T-405T	CF
444T-445T	CF
447T-449T	CF



# ODP 1200 RPM

303-022  
Page 2 of 2

HP	FRAME	V/HZ/PH	BALDOR(\$)	ORDER #	HOUSE(\$)	ORDER #	▶ BALDOR w/ *AEGIS SGR(\$)	▶ ORDER # *AEGIS SGR
350 STD	5010	E	140,290.00	B1428D	131,100.00	H1428D	-	-
350 PREM**	5008	C	142,430.00	B1302D	133,110.00	H1302D	CF	B1909D
350 PREM**	5010	E	160,080.00	B1636D	149,600.00	H1636D	CF	CF
400 STD	5010	E	148,150.00	B1432D	138,470.00	H1432D	-	-
400 PREM**	5010	C	147,050.00	B1310D	137,440.00	H1310D	CF	B1910D
400 PREM**	5010	E	165,180.00	B1640D	154,380.00	H1640D	CF	CF
450 STD	5010	E	158,630.00	B1436D	148,250.00	H1436D	-	-
450 PREM**	5010	C	163,100.00	B1318D	152,430.00	H1318D	CF	B1911D
450 PREM**	5010	E	170,310.00	B1644D	159,170.00	H1644D	CF	CF
500 STD	5010	E	169,220.00	B1440D	163,220.00	H1440D	-	-
500 PREM**	5010	C	174,640.00	B1326D	163,220.00	H1326D	CF	B1912D
500 PREM**	5010	E	182,190.00	B1648D	170,270.00	H1648D	CF	CF

▶ **AEGIS Shaft Grounding Ring Option Prices - Note: Only available on Premium motors.**  
**\*\* Motors over 100HP with AEGIS™ SGR require an insulated bearing on the opposite drive end to qualify for AEGIS™ SGR Warranty. See pricing. →**

### Insulated Bearing Adders

NEMA FRAME	List Adder (\$) (per bearing)
143T-145T	1,078.00
182T-184T	1,424.00
213T-215T	1,917.00
254T-256T	3,150.00
284T-286T	3,960.00
324T-326T	4,410.00
364T-365T	4,572.00
404T-405T	CF
444T-445T	CF
447T-449T	CF

\* Baldor Electric Company's warranty covers manufacturing defects of their motors. Performance of the AEGIS™ shaft grounding ring is covered by the following warranty from Electro Static Technology. Electro Static Technology guarantees any new motor up to 100 HP will not fail from electrical bearing fluting damage for the expected normal bearing life of the original motor bearings when the AEGIS™ SGR Bearing Protection ring is installed. If electrically induced fluting damage occurs, Electro Static Technology will replace motor bearings.

**Guarantee is subject to the terms and conditions of the AEGIS™ SGR Guarantee Program:**

- Electrically induced fluting damage must be verified by EST or an authorized entity to qualify for bearing replacement. EST shall not be liable for greater than 35% of the original cost of the motor or the Vaughan's National Average Price to furnish and install two (2) standard ball bearings.
- To qualify for the AEGIS™ SGR Bearing Protection Ring performance guarantee, all motors with AEGIS™ SGR Bearing Protection Ring install must be registered within 30 days of placing the new motor into service. Proof of purchase is required. Register online to qualify for this performance guarantee.  
<http://wwwwest-aegis.com/registerform.cfm>

All list prices shown are drop ship list prices only.  
 For factory mounted list prices, the following motor mounting adders apply: →  
 To order drop ship motor, use six digit order code  
 To order factory mounted motor, replace "D" in order code with "M" (i.e., B0001D would become B0001M)  
 Drop ship shipments larger than 1500 lbs. will be shipped FFA.  
 Drop ship shipments under 1500 lbs. will be shipped collect.  
 See Scoop book for more detailed information.  
 For all motors, Consult Factory for pricing on the following features: \*

- Vibration Detectors
- Space Heaters
- RTD in Winding
- Winding Design for Non-Standard Voltages
- Bearing Protection - RTD in Bearing.

### Factory Mounted Adders

56T-326T: \$185.50  
 364T and above: \$371.00

### Voltage Code

A=208-230/460/60/3  
 B=230/460/60/3  
 C=460/60/3  
 D=230/60/3  
 E=2300/4160/60/3

CF = Consult Factory for motor prices not shown.



# Motor Price Sheet

# ODP 1800 RPM

303-023  
Page 1 of 2

Supersedes: May 30, 2011

Updated: May 9, 2013

Effective: February 04, 2013

HP	FRAME	V/HZ/PH	BALDOR(\$)	ORDER #	HOUSE(\$)	ORDER #	BALDOR w/ *AEGIS SGR(\$)	ORDER # *AEGIS SGR
.5 STD	56	A	867.00	B0034D	749.00	H0034D	-	-
.5 PREM	56	A	CF	B0035D	CF	H0035D	CF	B1934D
.75 STD	56	A	795.00	B0036D	771.00	H0036D	-	-
.75 PREM	56		CF	B0037D	CF	H0037D	CF	B1935D
1.0 PREM	143T	B	820.00	B0039D	731.00	H0039D	1,211.00	B1936D
1.5 PREM	145T	B	836.00	B0041D	796.00	H0041D	1,226.00	B1937D
2.0 PREM	145T	B	862.00	B0043D	834.00	H0043D	1,249.00	B1938D
3.0 PREM	182T	B	1,008.00	B0045D	918.00	H0045D	1,481.00	B1939D
5.0 PREM	184T	B	1,178.00	B0047D	1,094.00	H0047D	1,644.00	B1940D
7.5 PREM	213T	B	1,562.00	B0049D	1,455.00	H0049D	2,051.00	B1941D
10 PREM	215T	B	1,901.00	B0051D	1,770.00	H0051D	2,362.00	B1942D
15 PREM	254T	B	2,850.00	B0053D	2,660.00	H0053D	3,360.00	B1943D
20 PREM	256T	B	3,700.00	B0055D	3,440.00	H0055D	4,150.00	B1944D
25 PREM	284T	B	4,350.00	B0057D	4,050.00	H0057D	4,890.00	B1945D
30 PREM	286T	B	4,960.00	B0059D	4,860.00	H0059D	5,440.00	B1946D
40 PREM	324T	B	7,590.00	B0061D	7,110.00	H0061D	8,000.00	B1947D
50 PREM	326T	B	7,900.00	B0063D	7,140.00	H0063D	8,270.00	B1948D
60 PREM	364T	B	9,800.00	B0065D	8,980.00	H0065D	11,410.00	B1949D
75 PREM	365T	B	11,790.00	B0067D	10,730.00	H0067D	13,410.00	B1950D
100 PREM	404T	B	15,050.00	B0918D	14,120.00	H0918D	17,110.00	B1951D
125 PREM**	405T	C	19,100.00	B0071D	17,130.00	H0071D	21,160.00**	B1952D**
150 PREM**	444T	C	27,320.00	B0873D	25,530.00	H0873D	29,520.00**	B1953D**
200 PREM**	445T	C	32,460.00	B0879D	30,330.00	H0879D	34,650.00**	B1954D**
250 STD	447T	C	30,940.00	B1626D	28,910.00	H0626D	-	-
250 PREM**	447T	C	33,880.00	B1795D	31,670.00	H1795D	36,080.00**	B1955D**
300 STD	449T	C	35,140.00	B1627D	32,830.00	H0998D	-	-
300 PREM**	449T	C	45,790.00	B1108D	42,810.00	H1108D	47,990.00**	B1956D**
350 STD	449T	C	54,750.00	B1332D	51,160.00	H1332D	-	-
350 STD	5008	E	100,120.00	B1456D	93,570.00	H1456D	-	-
350 PREM**	449T	C	60,220.00	B1235D	56,270.00	H1235D	62,410.00**	B1957D**
350 PREM**	5008	E	125,670.00	B1652D	117,450.00	H1652D	CF**	CF**

►AEGIS Shaft Grounding Ring Option Prices - Note: Only available on Premium motors.

\* See page 2 for AEGIS™ SGR Warranty Information

\*\* Motors over 100HP with AEGIS™ SGR require an insulated bearing on the opposite drive end to qualify for AEGIS™ SGR Warranty. See pricing.

Prices in yellow have been updated.

All list prices shown are drop ship list prices only.

For factory mounted list prices, the following motor mounting adders apply:

To order drop ship motor, use six digit order code  
To order factory mounted motor, replace "D" in order code with "M" (i.e., B0001D would become B0001M)  
Drop ship shipments larger than 1500 lbs. will be shipped FFA.

Drop ship shipments under 1500 lbs. will be shipped collect.

See Scoop book for more detailed information.

For all motors, Consult Factory for pricing on the following features: \*

- Vibration Detectors
- Space Heaters
- RTD in Winding
- Winding Design for Non-Standard Voltages
- Bearing Protection - RTD in Bearing.

### Factory Mounted Adders

56T-326T: \$185.50  
364T and above: \$371.00

### Voltage Code

A=208-230/460/60/3  
B=230/460/60/3  
C=460/60/3  
D=230/60/3  
E=2300/4160/60/3

CF = Consult Factory for motor prices not shown.

### Insulated Bearing Adders

NEMA FRAME	List Adder (\$) (per bearing)
143T-145T	1,078.00
182T-184T	1,424.00
213T-215T	1,917.00
254T-256T	3,150.00
284T-286T	3,960.00
324T-326T	4,410.00
364T-365T	4,570.00
404T-405T	CF
444T-445T	CF
447T-449T	CF

# ODP 1800 RPM

303-023  
Page 2 of 2

HP	FRAME	V/HZ/PH	BALDOR(\$)	ORDER #	HOUSE(\$)	ORDER #	BALDOR w/ ▶ *AEGIS SGR(\$)	ORDER # ▶ *AEGIS SGR
400 STD	449T	C	59,420.00	B1338D	55,840.00	H1338D	-	-
400 STD	5008	E	110,700.00	B1460D	103,470.00	H1460D	-	-
400 PREM**	449T	C	65,340.00	B1342D	61,080.00	H1342D	67,540.00**	B1958D
400 PREM**	5008	E	131,380.00	B1656D	122,800.00	H1656D	CF**	CF
450 STD	449T	C	67,180.00	B1346D	62,800.00	H1346D	-	-
450 STD	5008	E	118,490.00	B1464D	110,730.00	H1464D	-	-
450 PREM**	449T	C	125,350.00	B1350D	117,160.00	H1350D	127,550.00**	B1959D
450 PREM**	5008	E	140,670.00	B1660D	131,480.00	H1660D	CF**	CF
500 STD	5010	E	123,200.00	B1468D	115,140.00	H1468D	-	-
500 PREM**	5008	C	140,260.00	B1632D	131,090.00	H1358D	CF**	B1960D
500 PREM**	5010	E	155,580.00	B1664D	145,410.00	H1664D	CF**	CF
600 STD	5010	C	121,090.00	B1629D	113,170.00	H1362D	-	-
600 STD	5010	E	132,820.00	B1472D	124,110.00	H1472D	-	-
600 PREM**	5010	C	142,830.00	B1368D	133,480.00	H1368D	CF**	B1961D
600 PREM**	5010	E	158,150.00	B1668D	147,790.00	H1668D	CF**	CF
700 STD	5010	C	132,380.00	B1630D	123,710.00	H1372D	-	-
700 STD	5010	E	145,180.00	B1476D	135,680.00	H1476D	-	-
700 PREM**	5010	C	150,380.00	B1376D	140,560.00	H1376D	CF**	B1962D
700 PREM**	5010	E	165,700.00	B1672D	154,870.00	H1672D	CF**	CF
800 STD	5012	C	142,680.00	B1380D	133,350.00	H1380D	-	-
800 STD	5012	E	156,500.00	B1480D	146,260.00	H1480D	-	-
800 PREM**	5012	C	168,310.00	B1384D	157,300.00	H1384D	CF**	B1963D
800 PREM**	5012	E	183,630.00	B1676D	171,610.00	H1676D	CF**	CF
900 STD	5012	C	150,220.00	B1388D	140,400.00	H1388D	-	-
900 STD	5012	E	164,770.00	B1484D	153,990.00	H1484D	-	-
900 PREM**	5012	C	CF	B1392D	165,610.00	H1392D	CF**	CF
900 PREM**	5012	E	168,730.00	B1680D	157,700.00	H1680D	CF**	CF
1000 STD	5810	E	183,660.00	B1488D	171,650.00	H1488D	-	-
1000 PREM**	5810	E	174,300.00	B1684D	162,900.00	H1684D	CF**	CF
1250 STD	5810	E	191,960.00	B1492D	179,390.00	H1492D	-	-
1250 PREM**	5810	E	200,490.00	B1688D	187,370.00	H1688D	CF**	CF
1500 STD	5812	E	211,000.00	B1496D	197,190.00	H1496D	-	-
1500 PREM**	5812	E	208,620.00	B1692D	194,980.00	H1692D	CF**	CF

▶ **AEGIS Shaft Grounding Ring Option Prices - Note: Only available on Premium motors.**

**\*\* Motors over 100HP with AEGIS™ SGR require an insulated bearing on the opposite drive end to qualify for AEGIS™ SGR Warranty. See "Insulated Bearing Adders" table, page 1 for pricing.**

\* Baldor Electric Company's warranty covers manufacturing defects of their motors. Performance of the AEGIS™ shaft grounding ring is covered by the following warranty from Electro Static Technology.  
Electro Static Technology guarantees any new motor up to 100 HP will not fail from electrical bearing fluting damage for the expected normal bearing life of the original motor bearings when the AEGIS™ SGR Bearing Protection ring is installed. If electrically induced fluting damage occurs, Electro Static Technology will replace motor bearings.

**Guarantee is subject to the terms and conditions of the AEGIS™ SGR Guarantee Program:**

1. Electrically induced fluting damage must be verified by EST or an authorized entity to qualify for bearing replacement. EST shall not be liable for greater than 35% of the original cost of the motor or the Vaughen's National Average Price to furnish and install two (2) standard ball bearings.
2. To qualify for the AEGIS™ SGR Bearing Protection Ring performance guarantee, all motors with AEGIS™ SGR Bearing Protection Ring install must be registered within 30 days of placing the new motor into service. Proof of purchase is required. Register online to qualify for this performance guarantee.  
<http://www.est-aegis.com/registerform.cfm>

All list prices shown are drop ship list prices only.

For factory mounted list prices, the following motor mounting adders apply: **Factory Mounted Adders**  
To order drop ship motor, use six digit order code  
To order factory mounted motor, replace "D" in order code with "M" (i.e., B0001D would become B0001M)

Drop ship shipments larger than 1000 lbs. will be shipped FFA.

Drop ship shipments under 1000 lbs. will be shipped collect.

See Scoop book for more detailed information.

For all motors, Consult Factory for pricing on the following features: \*

- Vibration Detectors
- Space Heaters
- RTD in Winding
- Winding Design for Non-Standard Voltages
- Bearing Protection - RTD in Bearing.

- 56T-326T: \$185.50
- 364T and above: \$371.00
- Voltage Code
- A=208-230/460/60/3
- B=230/460/60/3
- C=460/60/3
- D=230/60/3
- E=2300/4160/60/3

CF = Consult Factory for motor prices not shown.

TACO INC., 1160 Cranston Street, Cranston, RI 02920 Telephone: (401) 942-8000 Fax: (401) 942-2360  
TACO (Canada), Ltd., 8450 Lawson Road, Milton, Ontario L9T 0J8 Telephone: (905) 564-9422 Fax: (905) 564-9436  
Visit our website at: [www.taco-hvac.com](http://www.taco-hvac.com)



# Motor Price Sheet

# TEFC 1800 RPM

Supersedes: May 30, 2011

December 23, 2013

Effective: February 04, 2013

HP	FRAME	V/HZ/PH	BALDOR(\$)	ORDER #	HOUSE(\$)	ORDER #	▶ BALDOR w/ *AEGIS SGR(\$)	▶ ORDER # *AEGIS SGR
.5 STD	56	A	888.00	B0076D	828.00	H0076D	-	-
.5 PREM	56	A	CF	B0077D	CF	H0077D	CF	B1964D
.75 STD	56	A	736.00	B0078D	710.00	H0078D	-	-
.75 PREM	56	A	CF	B0079D	CF	H0079D	CF	B1965D
1.0 PREM	143T	B	1,133.00	B0081D	987.00	H0081D	1,546.00	B1966D
1.5 PREM	145T	B	1,234.00	B0083D	1,089.00	H0083D	1,505.00	B1967D
2.0 PREM	145T	B	1,367.00	B0085D	1,221.00	H0085D	1,632.00	B1968D
3.0 PREM	182T	B	1,463.00	B0087D	1,318.00	H0087D	1,778.00	B1969D
5.0 PREM	184T	B	1,698.00	B0089D	1,552.00	H0089D	2,520.00	B1970D
7.5 PREM	213T	B	2,304.00	B0091D	2,147.00	H0091D	2,770.00	B1971D
10 PREM	215T	B	2,780.00	B0093D	2,580.00	H0093D	3,280.00	B1972D
15 PREM	254T	B	3,700.00	B0095D	3,600.00	H0095D	4,140.00	B1973D
20 PREM	256T	B	4,690.00	B0097D	4,350.00	H0097D	5,040.00	B1974D
25 PREM	284T	B	5,640.00	B0099D	5,320.00	H0099D	6,050.00	B1975D
30 PREM	286T	B	6,810.00	B0101D	6,330.00	H0101D	7,430.00	B1976D
40 PREM	324T	B	9,200.00	B0103D	8,150.00	H0103D	9,830.00	B1977D
50 PREM	326T	B	11,850.00	B0105D	9,990.00	H0105D	11,870.00	B1978D
60 PREM	364T	B	17,770.00	B0107D	14,820.00	H0107D	19,390.00	B1979D
75 PREM	365T	C	22,730.00	B0109D	20,020.00	H0109D	24,350.00	B1980D
100 PREM	405T	C	27,700.00	B0111D	25,670.00	H0111D	29,750.00	B1981D
▶▶ 125 PREM**	444T	C	30,590.00**	B0113D	29,316.00**	H0113D	32,790.00**	B1982D
150 PREM**	445T	C	44,930.00**	B0946D	41,990.00**	H0946D	47,130.00**	B1983D
200 PREM**	447T	C	48,940.00**	B1056D	45,740.00**	H1056D	51,140.00**	B1984D
250 STD	447T	C	54,450.00	B1236D	50,900.00	H1236D	-	-
250 PREM**	447T	C	75,250.00**	B1065D	70,340.00**	H1065D	77,450.00**	B1985D
300 STD	449T	C	80,160.00	B1104D	74,910.00	H1104D	-	-
300 PREM**	449T	C	103,720.00**	B1633D	96,940.00**	H1633D	105,910.00**	B1986D
350 STD	449T	C	116,660.00	B1334D	109,020.00	H1334D	-	-
350 STD	5008	E	130,760.00	B1458D	122,210.00	H1458D	-	-
350 PREM**	449T	C	124,460.00**	B1336D	116,310.00**	H1336D	126,650.00**	B1987D
350 PREM**	5008	E	156,320.00**	B1654D	146,090.00**	H1654D	CF	CF

▶ AEGIS Shaft Grounding Ring Option Prices - Note: Only available on Premium motors.

\* See page 2 for AEGIS™ SGR Warranty Information

\*\* Motors over 100HP with AEGIS™ SGR require an insulated bearing on the opposite drive end to qualify for AEGIS™ SGR Warranty. See pricing. →

▶▶ Pricing has changed.

All list prices shown are drop ship list prices only.  
For factory mounted list prices, the following motor mounting adders apply: →  
To order drop ship motor, use six digit order code  
To order factory mounted motor, replace "D" in order code with "M" (i.e., B0001D would become B0001M)  
Drop ship shipments larger than 1500 lbs. will be shipped FFA.  
Drop ship shipments under 1500 lbs. will be shipped collect.

See Scoop book for more detailed information.  
For all motors, Consult Factory for pricing on the following features: \*

- Vibration Detectors
- Space Heaters
- RTD in Winding
- Winding Design for Non-Standard Voltages
- Bearing Protection - RTD in Bearing.

### Factory Mounted Adders

56T-326T: \$185.50  
364T and above: \$371.00

### Voltage Code

A=208-230/460/60/3  
B=230/460/60/3  
C=460/60/3  
D=230/60/3  
E=2300/4160/60/3

CF = Consult Factory for motor prices not shown.

### Insulated Bearing Adders

NEMA FRAME	List Adder (\$) (per bearing)
143T-145T	1,078.00
182T-184T	1,424.00
213T-215T	1,917.00
254T-256T	3,150.00
284T-286T	3,960.00
324T-326T	4,410.00
364T-365T	4,570.00
404T-405T	CF
444T-445T	CF
447T-449T	CF

HP	FRAME	V/HZ/PH	BALDOR(\$)	TEFC 1800 RPM ORDER #	LIST PRICE	ORDER #	BALDOR w/ *AEGIS SGR(\$)	ORDER # *AEGIS SGR
400 STD	449T	C	120,180.00	B1566D	112,320.00	H1566D	-	-
400 STD	5008	E	134,700.00	B1462D	125,890.00	H1462D	-	-
400 PREM**	449T	C	128,820.00**	B1344D	120,400.00**	H1344D	131,020.00**	B1988D
400 PREM**	5008	E	160,590.00**	B1658D	150,090.00**	H1658D	CF	CF
450 STD	5010	E	138,500.00	B1466D	129,440.00	H1466D	-	-
450 PREM**	5010	C	149,350.00**	B1352D	139,590.00**	H1352D	CF	B1989D
450 PREM**	5010	E	164,680.00**	B1662D	153,900.00**	H1662D	CF	CF
500 STD	5010	E	145,180.00	B1470D	135,680.00	H1470D	-	-
500 PREM**	5010	C	156,570.00**	B1634D	146,330.00**	H1634D	CF	B1990D
500 PREM**	5010	E	171,880.00**	B1666D	160,650.00**	H1666D	CF	CF
600 STD	5012	C	138,430.00	B1364D	129,380.00	H1364D	-	-
600 STD	5012	E	149,080.00	B1474D	139,330.00	H1474D	-	-
600 PREM**	5012	C	167,340.00**	B1370D	156,380.00**	H1370D	CF	B1991D
600 PREM**	5012	E	182,660.00**	B1670D	170,710.00**	H1670D	CF	CF
700 STD	5012	C	146,740.00	B1374D	137,140.00	H1374D	-	-
700 STD	5012	E	164,480.00	B1478D	153,710.00	H1478D	-	-
700 PREM**	5012	C	177,360.00**	B1635D	165,760.00**	H1635D	CF	B1992D
700 PREM**	5012	E	192,690.00**	B1674D	180,090.00**	H1674D	CF	CF
800 STD	5012	C	158,680.00	B1382D	148,300.00	H1382D	-	-
800 STD	5012	E	177,860.00	B1482D	166,220.00	H1482D	-	-
800 PREM**	5012	C	191,810.00**	B1386D	179,260.00**	H1386D	CF	B1993D
800 PREM**	5012	E	207,130.00**	B1678D	193,580.00**	H1678D	CF	CF
900 STD	5012	C	200,740.00	B1390D	187,610.00	H1390D	-	-
900 STD	5012	E	220,520.00	B1486D	206,100.00	H1486D	-	-
900 PREM**	5012	C	214,210.00**	B1394D	200,210.00**	H1394D	CF	B1994D
900 PREM**	5012	E	282,150.00**	B1682D	263,680.00**	H1682D	CF	CF
1000 STD	400J	E	282,450.00	B1490D	263,970.00	H1490D	-	-
1000 PREM**	400J	E	297,340.00**	B1686D	277,880.00**	H1686D	CF	CF
1250 STD	400J	E	384,110.00	B1494D	358,980.00	H1494D	-	-
1250 PREM**	400J	E	397,130.00**	B1690D	371,140.00**	H1690D	CF	CF
1500 STD	500M	E	585,010.00	B1498D	546,750.00	H1498D	-	-
1500 PREM**	500M	E	599,070.00**	B1694D	559,880.00**	H1694D	CF	CF

**AEGIS Shaft Grounding Ring Option Prices - Note: Only available on Premium motors.**

**\*\* Motors over 100HP with AEGIS™ SGR require an insulated bearing on the opposite drive end to qualify for AEGIS™ SGR Warranty. See pricing.**

\* Baldor Electric Company's warranty covers manufacturing defects of their motors. Performance of the AEGIS™ shaft grounding ring is covered by the following warranty from Electro Static Technology.

Electro Static Technology guarantees any new motor up to 100 HP will not fail from electrical bearing fluting damage for the expected normal bearing life of the original motor bearings when the AEGIS™ SGR Bearing Protection ring is installed. If electrically induced fluting damage occurs, Electro Static Technology will replace motor bearings.

**Guarantee is subject to the terms and conditions of the AEGIS™ SGR Guarantee Program:**

1. Electrically induced fluting damage must be verified by EST or an authorized entity to qualify for bearing replacement. EST shall not be liable for greater than

35% of the original cost of the motor or the Vaughen's National Average Price to furnish and install two (2) standard ball bearings.

2. To qualify for the AEGIS™ SGR Bearing Protection Ring performance guarantee, all motors with AEGIS™ SGR Bearing Protection Ring install must be

registered within 30 days of placing the new motor into service. Proof of purchase is required. Register online to qualify for this performance guarantee.

<http://wwwwest-aegis.com/registerform.cfm>

All list prices shown are drop ship list prices only.

For factory mounted list prices, the following motor mounting adders apply:

To order drop ship motor, use six digit order code

To order factory mounted motor, replace "D" in order code with "M" (i.e., B0001D would become B0001M)

Drop ship shipments larger than 1500 lbs. will be shipped FFA.

Drop ship shipments under 1500 lbs. will be shipped collect.

See Scoop book for more detailed information.

For all motors, Consult Factory for pricing on the following features: \*

- Vibration Detectors
- Space Heaters
- RTD in Winding
- Winding Design for Non-Standard Voltages
- Bearing Protection - RTD in Bearing

**Insulated Bearing Adders**

NEMA FRAME	List Adder (\$) (per bearing)
143T-145T	1,078.00
182T-184T	1,424.00
213T-215T	1,917.00
254T-256T	3,150.00
284T-286T	3,960.00
324T-326T	4,410.00
364T-365T	4,570.00
404T-405T	CF
444T-445T	CF
447T-449T	CF

**Factory Mounted Adders**

56T-326T: \$185.50

364T and above: \$371.00

**Voltage Code**

A=208-230/460/60/3

B=230/460/60/3

C=460/60/3

D=230/60/3

E=2300/4160/60/3

CF = Consult Factory for motor prices not shown.



# Motor Price Sheet

303-025

## ODP 3600 RPM

Supersedes: May 30, 2011

Effective: February 04, 2013

HP	FRAME	V/HZ/PH	BALDOR(\$)	ORDER #	HOUSE(\$)	ORDER #	BALDOR w/ *AEGIS SGR(\$)	ORDER # *AEGIS SGR
.5 STD	56	A	553.00	B0118D	553.00	H0118D	-	-
.5 PREM	56	B	CF	B0119D	CF	H0119D	CF	B1995D
.75 STD	56	A	675.00	B0120D	675.00	H0120D	-	-
.75 PREM	56	B	CF	B0121D	CF	H0121D	CF	B1996D
1.0 PREM	56	B	698.00	B0123D	698.00	H0123D	1,279.00	B1997D
1.5 PREM	143T	B	920.00	B0125D	920.00	H0125D	1,502.00	B1998D
2.0 PREM	145T	B	940.00	B0127D	940.00	H0127D	1,522.00	B1999D
3.0 PREM	145T	B	1,239.00	B0129D	1,057.00	H0129D	1,820.00	B2000D
5.0 PREM	182T	B	2,011.00	B0131D	1,138.00	H0131D	2,620.00	B2001D
7.5 PREM	184T	B	2,166.00	B0133D	2,010.00	H0133D	2,780.00	B2002D
10 PREM	213T	B	2,880.00	B0135D	2,061.00	H0135D	3,560.00	B2003D
15 PREM	215T	B	3,800.00	B0137D	2,840.00	H0137D	4,470.00	B2004D
20 PREM	254T	B	4,330.00	B0139D	3,430.00	H0139D	5,120.00	B2005D
25 PREM	256T	B	5,490.00	B0141D	4,240.00	H0141D	6,280.00	B2006D
30 PREM	284TS	B	7,030.00	B0143D	5,450.00	H0143D	7,990.00	B2007D
40 PREM	286TS	B	9,970.00	B0145D	6,640.00	H0145D	10,920.00	B2008D
50 PREM	324TS	B	11,950.00	B0147D	7,910.00	H0147D	12,900.00	B2009D
60 PREM	326TS	B	12,960.00	B0149D	8,920.00	H0149D	13,920.00	B2010D
75 PREM	364TS	C	13,920.00	B0151D	13,920.00	H0151D	14,870.00	B2011D
100 PREM	365TS	C	17,150.00	B0153D	17,150.00	H0153D	18,100.00	B2012D
125 PREM**	404TS	C	22,140.00**	B0155D	22,140.00**	H0155D	23,150.00**	B2013D
150 PREM**	405TS	C	CF	B0157D	CF	H0157D	CF	B2014D
200 PREM**	444TS	C	CF	B0159D	CF	H0159D	CF	B2015D

**AEGIS Shaft Grounding Ring Option Prices - Note: Only available on Premium motors.**

**\*\* Motors over 100HP with AEGIS™ SGR require an insulated bearing on the opposite drive end to qualify for AEGIS™ SGR Warranty. See pricing.**

\* Baldor Electric Company's warranty covers manufacturing defects of their motors. Performance of the AEGIS™ shaft grounding ring is covered by the following warranty from Electro Static Technology. Electro Static Technology guarantees any new motor up to 100 HP will not fail from electrical bearing fluting damage for the expected normal bearing life of the original motor bearings when the AEGIS™ SGR Bearing Protection ring is installed. If electrically induced fluting damage occurs, Electro Static Technology will replace motor bearings.

**Guarantee is subject to the terms and conditions of the AEGIS™ SGR Guarantee Program:**

1. Electrically induced fluting damage must be verified by EST or an authorized entity to qualify for bearing replacement. EST shall not be liable for greater than 35% of the original cost of the motor or the Vaughen's National Average Price to furnish and install two (2) standard ball bearings.

2. To qualify for the AEGIS™ SGR Bearing Protection Ring performance guarantee, all motors with AEGIS™ SGR Bearing Protection Ring install must be registered within 30 days of placing the new motor into service. Proof of purchase is required. Register online to qualify for this performance guarantee.

<http://www.west-aegis.com/registerform.cfm>

All list prices shown are drop ship list prices only.

For factory mounted list prices, see Factory Mounted Adders table. To order drop ship motor, use six digit order code.

To order factory mounted motor, replace "D" in order code with "M" (i.e., B0001D would become B0001M)

Drop ship shipments larger than 1500 lbs. will be shipped FFA.

Drop ship shipments under 1500 lbs. will be shipped collect.

Drop ship shipments under 1500 lbs. will be shipped collect.

Drop ship shipments under 1500 lbs. will be shipped collect.

Drop ship shipments under 1500 lbs. will be shipped collect.

Drop ship shipments under 1500 lbs. will be shipped collect.

Drop ship shipments under 1500 lbs. will be shipped collect.

Drop ship shipments under 1500 lbs. will be shipped collect.

Drop ship shipments under 1500 lbs. will be shipped collect.

Drop ship shipments under 1500 lbs. will be shipped collect.

Drop ship shipments under 1500 lbs. will be shipped collect.

Drop ship shipments under 1500 lbs. will be shipped collect.

Drop ship shipments under 1500 lbs. will be shipped collect.

Drop ship shipments under 1500 lbs. will be shipped collect.

Drop ship shipments under 1500 lbs. will be shipped collect.

Drop ship shipments under 1500 lbs. will be shipped collect.

For all motors, Consult Factory for pricing on the following features: \*

- Vibration Detectors
- Space Heaters
- RTD in Winding
- Winding Design for Non-Standard Voltages
- Bearing Protection - RTD in Bearing.

**Factory Mounted Adders**

56T-326T: \$185.50

364T and above: \$371.00

**Insulated Bearing Adders**

NEMA FRAME	List Adder (\$) (per bearing)
143T-145T	1,078.00
182T-184T	1,424.00
213T-215T	1,917.00
254T-256T	3,150.00
284T-286T	3,960.00
324T-326T	4,410.00
364T-365T	4,570.00
404T-405T	CF
444T-445T	CF
447T-449T	CF

**Voltage Code**

A=208-230/460/60/3

B=230/460/60/3

C=460/60/3

D=230/60/3

E=2300/4160/60/3





# Motor Price Sheet

303-026

## TEFC 3600 RPM

Supersedes: May 30, 2011

Effective: February 04, 2013

HP	FRAME	V/HZ/PH	BALDOR(\$)	ORDER #	HOUSE(\$)	ORDER #	BALDOR w/ *AEGIS SGR(\$)	ORDER # *AEGIS SGR
.5 STD	56	A	628.00	B0160D	628.00	H0160D	-	-
.5 PREM	56	B	CF	B0161D	CF	H0161D	CF	B2016D
.75 STD	56	A	776.00	B0162D	776.00	H0162D	-	-
.75 PREM	56	B	CF	B0163D	CF	H0163D	CF	B2017D
1.0 PREM	56	B	CF	B0165D	CF	H0165D	CF	B2018D
1.5 PREM	143T	B	CF	B0167D	CF	H0167D	CF	B2019D
2.0 PREM	145T	B	1,395.00	B0169D	1,395.00	H0169D	1,976.00	B2020D
3.0 PREM	182T	B	1,694.00	B0171D	1,694.00	H0171D	2,308.00	B2021D
5.0 PREM	184T	B	2,110.00	B0173D	2,110.00	H0173D	2,720.00	B2022D
7.5 PREM	213T	B	2,580.00	B0175D	2,580.00	H0175D	3,260.00	B2023D
10 PREM	215T	B	3,080.00	B0177D	3,080.00	H0177D	3,750.00	B2024D
15 PREM	254T	B	3,660.00	B0179D	3,660.00	H0179D	4,450.00	B2025D
20 PREM	256T	B	5,250.00	B0181D	5,250.00	H0181D	6,040.00	B2026D
25 PREM	284TS	B	5,960.00	B0183D	5,960.00	H0183D	6,910.00	B2027D
30 PREM	286TS	B	6,670.00	B0185D	6,670.00	H0185D	7,610.00	B2028D
40 PREM	324TS	B	9,130.00	B0187D	9,130.00	H0187D	10,090.00	B2029D
50 PREM	326TS	B	14,030.00	B0189D	14,030.00	H0189D	14,980.00	B2030D
60 PREM	364TS	B	22,150.00	B0191D	22,150.00	H0191D	23,110.00	B2031D
75 PREM	365TS	B	30,010.00	B0193D	30,010.00	H0193D	30,970.00	B2032D
100 PREM	405TS	B	39,140.00	B0195D	39,140.00	H0195D	40,140.00	B2033D
125 PREM**	444TS	C	CF	B0197D	CF	H0197D	CF	B2034D
150 PREM**	445TS	C	CF	B0199D	CF	H0199D	CF	B2035D
200 PREM**	445TS	C	CF	B0201D	CF	H0201D	CF	B2036D

**AEGIS Shaft Grounding Ring Option Prices - Note: Only available on Premium motors.**

**\*\* Motors over 100HP with AEGIS™ SGR require an insulated bearing on the opposite drive end to qualify for AEGIS™ SGR Warranty. See pricing.** →

\* Baldor Electric Company's warranty covers manufacturing defects of their motors. Performance of the AEGIS™ shaft grounding ring is covered by the following warranty from Electro Static Technology.

Electro Static Technology guarantees any new motor up to 100 HP will not fail from electrical bearing fluting damage for the expected normal bearing life of the original motor bearings when the AEGIS™ SGR Bearing Protection ring is installed. If electrically induced fluting damage occurs, Electro Static Technology will replace motor bearings.

**Guarantee is subject to the terms and conditions of the AEGIS™ SGR Guarantee Program:**

1. Electrically induced fluting damage must be verified by EST or an authorized entity to qualify for bearing replacement. EST shall not be liable for greater than 35% of the original cost of the motor or the Vaughen's National Average Price to furnish and install two (2) standard ball bearings.

2. To qualify for the AEGIS™ SGR Bearing Protection Ring performance guarantee, all motors with AEGIS™ SGR Bearing Protection Ring install must be registered within 30 days of placing the new motor into service. Proof of purchase is required. Register online to qualify for this performance guarantee.

<http://www.west-aegis.com/registerform.cfm>

All list prices shown are drop ship list prices only.

For factory mounted list prices, see Factory Mounted Adders table.

To order drop ship motor, use six digit order code.

To order factory mounted motor, replace "D" in order code with "M" (i.e., B0001D would become B0001M)

Drop ship shipments larger than 1500 lbs. will be shipped FFA.

Drop ship shipments under 1500 lbs. will be shipped collect.

CF = Consult Factory for motor prices not shown.

For all motors, Consult Factory for pricing on the following features: \*

- Vibration Detectors
- Space Heaters
- RTD in Winding
- Winding Design for Non-Standard Voltages
- Bearing Protection - RTD in Bearing.

**Factory Mounted Adders**

56T-326T: \$185.50

364T and above: \$371.00

**Insulated Bearing Adders**

NEMA FRAME	List Adder (\$) (per bearing)
143T-145T	1,078.00
182T-184T	1,424.00
213T-215T	1,917.00
254T-256T	3,150.00
284T-286T	3,960.00
324T-326T	4,410.00
364T-365T	4,570.00
404T-405T	CF
444T-445T	CF
447T-449T	CF

**Voltage Code**

A=208-230/460/60/3

B=230/460/60/3

C=460/60/3

D=230/60/3

E=2300/4160/60/3



# Motor Price Sheet

303-027  
Page 1 of 2

## TEFC 1200 RPM

Supersede: May 30, 2011

Updated: September 4, 2013

Effective: February 04, 2013

HP	FRAME	V/HZ/PH	BALDOR(\$)	ORDER #	HOUSE(\$)	ORDER #	▶ BALDOR w/ *AEGIS SGR(\$)	▶ ORDER # *AEGIS SGR
.5 STD	56	B	CF	B1167D	CF	H1167D	-	-
.5 PREM	56	B	CF	CF	CF	CF	CF	CF
.75 STD	143T	B	CF	B1019D	CF	H1019D	-	-
.75 PREM	143T	B	CF	B0981D	CF	H0981D	CF	B1913D
1.0 PREM	145T	B	2,116.00	B0982D	2,116.00	H0982D	2,690.00	B1914D
1.5 PREM	182T	B	2,600.00	B1173D	2,600.00	H1173D	3,210.00	B1915D
2.0 PREM	184T	B	2,486.00	B0911D	2,486.00	H0911D	3,100.00	B1916D
3.0 PREM	213T	B	2,810.00	B0638D	2,810.00	H0638D	3,480.00	B1917D
5.0 PREM	215T	B	3,440.00	B0919D	3,440.00	H0919D	4,120.00	B1918D
7.5 PREM	254T	B	4,990.00	B0418D	4,990.00	H0418D	5,780.00	B1919D
10 PREM	256T	B	6,160.00	B0420D	6,160.00	H0420D	6,950.00	B1920D
15 PREM	284T	B	8,410.00	B0865D	8,410.00	H0865D	9,360.00	B1921D
20 PREM	286T	B	11,380.00	B0641D	11,380.00	H0641D	12,330.00	B1922D
25 PREM	324T	B	12,590.00	B0426D	12,590.00	H0426D	13,600.00	B1923D
30 PREM	326T	B	14,490.00	B0864D	14,490.00	H0864D	15,500.00	B1924D
40 PREM	364T	B	19,710.00	B0872D	19,710.00	H0872D	21,320.00	B1925D
50 PREM	365T	B	22,750.00	B0877D	22,750.00	H0877D	24,360.00	B1926D
60 PREM	404T	B	26,241.00	B0887D	26,241.00	H0887D	34,250.00	B1927D
75 PREM	405T	C	36,120.00	B0890D	36,120.00	H0890D	38,720.00	B1928D
100 PREM	444T	C	43,740.00	B1086D	46,940.00	H1086D	46,940.00	B1929D
125 PREM**	445T	C	CF	CF	CF	CF	CF	B1930D
150 PREM**	447T	C	CF	CF	CF	CF	CF	B1931D
200 PREM**	449T	C	CF	CF	CF	CF	CF	B1932D
250 PREM**	449T	C	CF	CF	CF	CF	CF	B1933D
300 PREM**	5010	C	CF	CF	CF	CF	CF	CF

▶ ▶ Pricing has changed.

▶ AEGIS Shaft Grounding Ring Option Prices - Note: AEGIS Only available on Premium motors.

\*\* Motors over 100HP with AEGIS™ SGR require an insulated bearing on the opposite drive end. See page 2 for pricing..

\* Baldor Electric Company's warranty covers manufacturing defects of their motors. Performance of the AEGIS™ shaft grounding ring is covered by the following warranty from Electro Static Technology.

Electro Static Technology guarantees any new motor up to 100 HP will not fail from electrical bearing fluting damage for the expected normal bearing life of the original motor bearings when the AEGIS™ SGR Bearing Protection ring is installed. If electrically induced fluting damage occurs, Electro Static Technology will replace motor bearings.

**Guarantee is subject to the terms and conditions of the AEGIS™ SGR Guarantee Program:**

1. Electrically induced fluting damage must be verified by EST or an authorized entity to qualify for bearing replacement. EST shall not be liable for greater than 35% of the original cost of the motor or the Vaughen's National Average Price to furnish and install two (2) standard ball bearings.

2. To qualify for the AEGIS™ SGR Bearing Protection Ring performance guarantee, all motors with AEGIS™ SGR Bearing Protection Ring install must be registered within 30 days of placing the new motor into service. Proof of purchase is required. Register online to qualify for this performance guarantee.

<http://wwwwest-aegis.com/registerform.cfm>

All list prices shown are drop ship list prices only.

For factory mounted list prices, the following deposit adders apply:

To order drop ship motor, use six digit order code

To order factory mounted motor, replace "D" in order code with "M" (i.e., B0001D would become B0001M)

Drop ship shipments larger than 1500 lbs. will be shipped FFA.

Drop ship shipments under 1500 lbs. will be shipped collect.

See Scoop book for more detailed information.

For all motors, Consult Factory for pricing on the following features:

Vibration Detectors

Space Heaters

RTD in Winding

Winding Design for Non-Standard Voltages

Bearing Protection - RTD in Bearing.

### Factory Mounted Adders

56T-326T: \$185.50

364T and above: \$371.00

### Voltage Code

A=208-230/460/60/3

B=230/460/60/3

C=460/60/3

D=230/60/3

E=2300/4160/60/3

CF = Consult Factory for motor prices not shown.

TACO INC., 1160 Cranston Street, Cranston, RI 02920 Telephone: (401) 942-8000 Fax: (401) 942-2360  
TACO (Canada), Ltd., 8450 Lawson Road, Milton, Ontario L9T 0J8 Telephone: (905) 564-9422 Fax: (905) 564-9436  
Visit our website at: [www.taco-hvac.com](http://www.taco-hvac.com)

Printed in USA

Copyright 2006

TACO, Inc.



# TEFC 1200 RPM

303-027  
Page 2 of 2

HP	FRAME	V/HZ/PH	BALDOR(\$)	ORDER #	HOUSE(\$)	ORDER #	▶ BALDOR w/ *AEGIS SGR(\$)	▶ ORDER # *AEGIS SGR
350 STD	5010	E	CF	CF	CF	CF	-	-
350 PREM**	5010	C	CF	CF	CF	CF	CF	CF
350 PREM**	5010	E	CF	CF	CF	CF	CF	CF
400 STD	5012	E	CF	CF	CF	CF	-	-
400 PREM**	5012	C	CF	CF	CF	CF	CF	CF
400 PREM**	5012	E	CF	CF	CF	CF	CF	CF
450 STD	5012	E	CF	CF	CF	CF	-	-
450 PREM**	5012	C	CF	CF	CF	CF	CF	CF
450 PREM**	5012	E	CF	CF	CF	CF	CF	CF
500 STD	5012	E	CF	CF	CF	CF	-	-
500 PREM**	5012	C	CF	CF	CF	CF	CF	CF
500 PREM**	5012	E	CF	CF	CF	CF	CF	CF

**AEGIS Shaft Grounding Ring Option Prices - Note: Only available on Premium motors.**

**\* See page 2 for AEGIS™ SGR Warranty Information**

**\*\* Motors over 100HP with AEGIS™ SGR require an insulated bearing on the opposite drive end to qualify for AEGIS™ SGR Warranty. See pricing.**

### Insulated Bearing Adders

NEMA FRAME	List Adder (\$) (per bearing)
143T-145T	1,078.00
182T-184T	1,424.00
213T-215T	1,917.00
254T-256T	3,150.00
284T-286T	3,960.00
324T-326T	4,410.00
364T-365T	4,570.00
404T-405T	CF
444T-445T	CF
447T-449T	CF

All list prices shown are drop ship list prices only.

For factory mounted list prices, the following deposit adders apply:

To order drop ship motor, use six digit order code

To order factory mounted motor, replace "D" in order code with "M" (i.e., B0001D would become B0001M)

Drop ship shipments larger than 1500 lbs. will be shipped FFA.

Drop ship shipments under 1500 lbs. will be shipped collect.

See Scoop book for more detailed information.

For all motors, Consult Factory for pricing on the following features: \*

- Vibration Detectors
- Space Heaters
- RTD in Winding
- Winding Design for Non-Standard Voltages
- Bearing Protection - RTD in Bearing.

### Factory Mounted Adders

56T-326T: \$185.50

364T and above: \$371.00

#### Voltage Code

A=208-230/460/60/3

B=230/460/60/3

C=460/60/3

D=230/60/3

E=2300/4160/60/3

CF = Consult Factory for motor prices not shown.



# Suggested List Prices

PREMIUM EFFICIENCY

## TEFC JM Motors for CI & KV Pump Kits

303-031

Supersedes: May 30, 2011

Effective: February 04, 2013

All list prices shown are drop ship list prices.

ENCLOSURE: TEFC - RPM: 1200								
ORDER # 230/460 VOLT	LIST PRICE(\$) 230/460 VOLT	► Baldor w/ *AEGIS SGR	LIST PRICE(\$) w/ *AEGIS SGR	ORDER # 200 VOLT†	LIST PRICE(\$) 200 VOLT	HP	NEMA MOTOR FRAME	APPROX. SHIP WT.
B150D**	2,116.00	C703D	2,700.00	B151D	2,116.00	1	145JM	40
B887D**	2,250.00	C704D	2,860.00	A068D	2,250.00	1½	182JM	60
B888D**	2,486.00	C705D	3,100.00	A069D	2,486.00	2	184JM	70
B889D**	3,080.00	C706D	3,750.00	B731D	3,080.00	3	213JM	110
B890D**	4,420.00	C707D	5,090.00	A070D	4,420.00	5	215JM	140
B891D**	5,760.00	C708D	6,550.00	B161D	5,760.00	7½	254JM	210

ENCLOSURE: TEFC - RPM: 1800								
ORDER # 230/460 VOLT	LIST PRICE(\$) 230/460 VOLT	► Baldor w/ *AEGIS SGR	LIST PRICE(\$) w/ *AEGIS SGR	ORDER # 200 VOLT††	LIST PRICE(\$) 200 VOLT	HP	NEMA MOTOR FRAME	APPROX. SHIP WT.
B790D**	1,113.00	C727D	1,694.00	B774D	1,113.00	1	143JM	40
B791D**	1,224.00	C728D	1,805.00	B775D	1,224.00	1½	145JM	42
B792D**	1,286.00	C729D	1,868.00	B776D	1,286.00	2	145JM	47
B793D**	1,456.00	C730D	2,070.00	B685D	1,456.00	3	182JM	60
B687D**	1,933.00	C731D	2,550.00	B686D	1,933.00	5	184JM	70
B736D**	2,560.00	C732D	3,240.00	B777D	2,560.00	7½	213JM	110
B794D**	3,030.00	C733D	3,700.00	B778D	3,030.00	10	215JM	140
B681D**	4,050.00	C734D	4,830.00	B779D	4,050.00	15	254JM	190
B795D**	4,860.00	C735D	5,640.00	B780D	4,860.00	20	256JM	250

### ►AEGIS Shaft Grounding Ring Option Prices

\* Baldor Electric Company's warranty covers manufacturing defects of their motors. Performance of the AEGIS™ shaft grounding ring is covered by the following warranty from Electro Static Technology.

Electro Static Technology guarantees any new motor up to 100 HP will not fail from electrical bearing fluting damage for the expected normal bearing life of the original motor bearings when the AEGIS™ SGR Bearing Protection ring is installed. If electrically induced fluting damage occurs, Electro Static Technology will replace motor bearings.

Guarantee is subject to the terms and conditions of the AEGIS™ SGR Guarantee Program:

1. Electrically induced fluting damage must be verified by EST or an authorized entity to qualify for bearing replacement. EST shall not be liable for greater than 35% of the original cost of the motor or the Vaughen's National Average Price to furnish and install two (2) standard ball bearings. 2. To qualify for the AEGIS™ SGR Bearing Protection Ring performance guarantee, all motors with AEGIS™ SGR Bearing Protection Ring install must be registered within 30 days of placing the new motor into service. Proof of purchase is required. Register online to qualify for this performance guarantee. <http://www.est-aegis.com/registerform.cfm>

**Note:** Representatives must participate in CI/KV Series Pump Kit Program in order to be eligible to order from this sheet.

\*\*Special lead times apply to all motors listed above. Consult factory for availability.

For all motors over 30HP consult factory.

Drop shipments larger than 1500 lbs. will be shipped FFA.

Drop shipments under 1500 lbs. will be shipped collect.

See Scoop Book for more detailed information.

TACO INC., 1160 Cranston Street, Cranston, RI 02920 Telephone: (401) 942-8000 Fax: (401) 942-2360  
TACO (Canada), Ltd., 8450 Lawson Road, Milton, Ontario L9T 0J8 Telephone: (905) 564-9422 Fax: (905) 564-9436  
Visit our website at: [www.taco-hvac.com](http://www.taco-hvac.com)

Printed in USA

Copyright 2006

TACO, Inc.

# TEFC JM Motors for CI & KV Pump Kits

303-031  
Page 2 of 2

ENCLOSURE: TEFC - RPM: 3600

ORDER # 230/460 VOLT	LIST PRICE(\$) 230/460 VOLT	► Baldor w/ *AEGIS SGR	LIST PRICE(\$) w/ *AEGIS SGR	ORDER # 200 VOLT+++	LIST PRICE(\$) 200 VOLT	HP	NEMA MOTOR FRAME	APPROX. SHIP WT.
B796D**	1,320.00	C754D	1,901.00	B781D	1,320.00	1½	145JM	35
B797D**	1,420.00	C755D	2,001.00	B690D	1,420.00	2	145JM	40
B798D**	1,639.00	C756D	2,253.00	B782D	1,639.00	3	182JM	60
B799D**	1,933.00	C757D	2,550.00	B783D	1,933.00	5	184JM	71
B800D**	2,243.00	C758D	2,920.00	B784D	2,243.00	7½	213JM	105
B801D**	2,750.00	C759D	3,420.00	B785D	2,750.00	10	215JM	125
B802D**	4,380.00	C760D	5,160.00	B786D	4,380.00	15	254JM	200
B803D**	4,440.00	C761D	5,230.00	B787D	4,440.00	20	256JM	230
B804D**	5,610.00	C762D	6,560.00	B788D	5,610.00	25	284JM	260
B805D**	7,420.00	C763D	8,370.00	B789D	7,420.00	30	286JM	340

►AEGIS Shaft Grounding Ring Option Prices

## TEFC MOTOR DRIP CAPS Ships Unmounted

PART NUMBER	MOTOR FRAME SIZE	LIST PRICE (\$)
► 951-6381RP	143-145	165.00
► 951-6382RP	182-184	192.00
► 951-6383RP	213-256	252.00
►	284 and above	Consult Factory

► Indicates new items added.

\* Baldor Electric Company's warranty covers manufacturing defects of their motors. Performance of the AEGIS™ shaft grounding ring is covered by the following warranty from Electro Static Technology.

Electro Static Technology guarantees any new motor up to 100 HP will not fail from electrical bearing fluting damage for the expected normal bearing life of the original motor bearings when the AEGIS™ SGR Bearing Protection ring is installed. If electrically induced fluting damage occurs, Electro Static Technology will replace motor bearings.

Guarantee is subject to the terms and conditions of the AEGIS™ SGR Guarantee Program:

1. Electrically induced fluting damage must be verified by EST or an authorized entity to qualify for bearing replacement. EST shall not be liable for greater than 35% of the original cost of the motor or the Vaughen's National Average Price to furnish and install two (2) standard ball bearings. 2. To qualify for the AEGIS™ SGR Bearing Protection Ring performance guarantee, all motors with AEGIS™ SGR Bearing Protection Ring install must be registered within 30 days of placing the new motor into service. Proof of purchase is required. Register online to qualify for this performance guarantee. <http://www.est-aegis.com/registerform.cfm>

**Note:** Representatives must participate in CI/KV Series Pump Kit Program in order to be eligible to order from this sheet.

\*\*Special lead times apply to all motors listed above. Consult factory for availability.

For all motors over 30HP consult factory.

Drop shipments larger than 1500 lbs. will be shipped FFA.

Drop shipments under 1500 lbs. will be shipped collect.

See Scoop Book for more detailed information.

TACO INC., 1160 Cranston Street, Cranston, RI 02920 Telephone: (401) 942-8000 Fax: (401) 942-2360  
TACO (Canada), Ltd., 8450 Lawson Road, Milton, Ontario L9T 0J8 Telephone: (905) 564-9422 Fax: (905) 564-9436  
Visit our website at: [www.taco-hvac.com](http://www.taco-hvac.com)

Printed in USA

Copyright 2006

TACO, Inc.



# Suggested List Prices

STANDARD EFFICIENCY

## TEFC JM Motors for CI & KV Pump Kits

303-032

Supersedes: May 30, 2011

Effective: February 04, 2013

All list prices shown are drop ship list prices.

ORDER # 208-230/460 VOLT	LIST PRICE	HP	RPM	NEMA MOTOR FRAME	ENCLOSURE	APPROX. SHIP WT.
B694D	763.00	1	1800	143JM	TEFC	40
B695D	828.00	1½	1800	145JM	TEFC	43
B696D	892.00	2	1800	145JM	TEFC	50
B689D	1,051.00	3	1800	182JM	TEFC	55
B688D	1,309.00	5	1800	184JM	TEFC	84
B691D	1,878.00	7½	1800	213JM	TEFC	132
B759D	2,224.00	10	1800	213JM	TEFC	153
B760D @	3,140.00	15	1800	254JM	TEFC	249
B732D @	3,780.00	20	1800	256JM	TEFC	280

ORDER # 208-230/460 VOLT	LIST PRICE	HP	RPM	NEMA MOTOR FRAME	ENCLOSURE	APPROX. SHIP WT.
B764D	886.00	1½	3600	143JM	TEFC	41
B765D	955.00	2	3600	145JM	TEFC	48
B766D	1,104.00	3	3600	182JM	TEFC	59
B767D	1,330.00	5	3600	184JM	TEFC	78
B768D	1,669.00	7½	3600	213JM	TEFC	114
B769D	2,003.00	10	3600	215JM	TEFC	136
B770D	2,500.00	15	3600	254JM	TEFC	210
B771D @	3,500.00	20	3600	256JM	TEFC	240
B772D @	4,470.00	25	3600	284JM	TEFC	280
B773D @	6,090.00	30	3600	286JM	TEFC	325
B007D @	8,270.00	40	3600	286JM	ODP	380
B008D @	10,340.00	50	3600	324JM	ODP	420
B009D @	11,900.00	60	3600	326JM	ODP	500

@ = 230/460 VOLT

**NOTE:** Representatives must participate in KV Series Pump Kit Program in order to be eligible to order from the list price sheet.

For all motors over 30 HP consult factory.

Drop shipments larger than 1500 lbs. will be shipped FFA.

Drop shipments under 1500 lbs. will be shipped collect.

See Scoop Book for more detailed information.

### TEFC MOTOR DRIP CAPS Ships Unmounted

PART NUMBER	MOTOR FRAME SIZE	LIST PRICE (\$)
▶ 951-6381RP	143-145	165.00
▶ 951-6382RP	182-184	192.00
▶ 951-6383RP	213-256	252.00
▶	284 and above	Consult Factory

▶ Indicates new items added.

TACO INC., 1160 Cranston Street, Cranston, RI 02920 Telephone: (401) 942-8000 Fax: (401) 942-2360  
TACO (Canada), Ltd., 8450 Lawson Road, Milton, Ontario L9T 0J8 Telephone: (905) 564-9422 Fax: (905) 564-9436  
Visit our website at: www.taco-hvac.com

Printed in USA  
Copyright 2006  
TACO, Inc.



# Suggested List Prices

STANDARD EFFICIENCY

303-035

## ODP JM Motors for CI & KV Pump Kits

Supersedes: May 30, 2011

Effective: February 04, 2013

All list prices shown are drop ship list prices.

ORDER # 208-230/460 VOLT	LIST PRICE	HP	RPM	NEMA MOTOR FRAME	ENCLOSURE	APPROX. SHIP WT.
B693D	622.00	1	1800	143JM	ODP	38
B697D	677.00	1½	1800	145JM	ODP	41
B682D	731.00	2	1800	145JM	ODP	44
B683D	852.00	3	1800	182JM	ODP	55
B684D	1,066.00	5	1800	184JM	ODP	75
B698D	1,515.00	7½	1800	213JM	ODP	111
B699D	1,804.00	10	1800	215JM	ODP	119
B700D @	2,590.00	15	1800	254JM	ODP	162
B701D @	3,080.00	20	1800	256JM	ODP	217
B702D @	3,910.00	25	1800	284JM	ODP	323
B703D @	4,320.00	30	1800	286JM	ODP	354
B704D @	5,450.00	40	1800	324JM	ODP	458
B705D @	6,350.00	50	1800	326JM	ODP	550

ORDER # 208-230/460 VOLT	LIST PRICE	HP	RPM	NEMA MOTOR FRAME	ENCLOSURE	APPROX. SHIP WT.
B708D	833.00	2	3600	143JM	ODP	42
B709D	875.00	3	3600	145JM	ODP	49
B710D	1,073.00	5	3600	182JM	ODP	76
B711D	1,267.00	7½	3600	184JM	ODP	80
B712D	1,614.00	10	3600	213JM	ODP	114
B713D	2,003.00	15	3600	215JM	ODP	124
B692D @	3,390.00	20	3600	254JM	ODP	218
B714D @	3,140.00	25	3600	256JM	ODP	225
B715D @	3,960.00	30	3600	284JM	ODP	322
B716D @	4,970.00	40	3600	286JM	ODP	362
B717D @	6,960.00	50	3600	324JM	ODP	430
B718D @	9,690.00	60	3600	326JM	ODP	503

@ = 230/460 VOLT

**NOTE:** Representatives must participate in CI Series Pump Kit Program in order to be eligible to order from the list price sheet.

For all motors over 30 HP consult factory.

Drop shipments larger than 1500 lbs. will be shipped FFA.

Drop shipments under 1500 lbs. will be shipped collect.

See Scoop Book for more detailed information.



# Suggested List Prices

## PREMIUM EFFICIENCY

303-036

# ODP JM Motors for CI & KV Pump Kits

Supersedes: May 30, 2011

Effective: February 04, 2013

All list prices shown are drop ship list prices.

ENCLOSURE: ODP - RPM: 1200								
ORDER # 230/460 VOLT	LIST PRICE(\$) 230/460 VOLT	▶ BALDOR w/ *AEGIS SGR	LIST PRICE(\$) w/ *AEGIS SGR	ORDER # 200 VOLT	LIST PRICE(\$) 200 VOLT	HP	NEMA MOTOR FRAME	APPROX. SHIP WT.
B898D**	1,875.00	C693D	2,456.00	A085D	1,875.00	1	145JM	40
B899D**	2,072.00	C694D	2,690.00	A709D	2,072.00	1½	182JM	50
B882D**	2,112.00	C695D	2,730.00	A828D	2,112.00	2	184JM	65
B884D**	2,800.00	C696D	3,470.00	A829D	2,800.00	3	213JM	90
B877D**	3,610.00	C697D	4,280.00	A091D	3,610.00	5	215JM	100
A783D**	4,800.00	C698D	5,590.00	A830D	4,800.00	7½	254JM	160
B006D**	5,380.00	C699D	6,160.00	A831D	5,380.00	10	256JM	180

ENCLOSURE: ODP - RPM; 1800								
ORDER # 230/460 VOLT	LIST PRICE(\$) 230/460 VOLT	▶ BALDOR w/ *AEGIS SGR	LIST PRICE(\$) w/ *AEGIS SGR	ORDER # 200 VOLT	LIST PRICE 200 VOLT	HP	NEMA MOTOR FRAME	APPROX. SHIP WT.
B861D**	896.00	C713D	1,478.00	B834D	1,127.00	1	143JM	42
B862D**	978.00	C714D	1,559.00	B835D	1,207.00	1½	145JM	44
B719D**	1,022.00	C715D	1,604.00	B836D	1,252.00	2	145JM	47
B720D**	1,205.00	C716D	1,819.00	B837D	1,434.00	3	182JM	68
B680D**	1,531.00	C717D	2,144.00	B838D	1,762.00	5	184JM	84
B721D**	2,072.00	C718D	2,740.00	B839D	2,302.00	7½	213JM	122
B722D**	2,455.00	C719D	3,130.00	B840D	2,680.00	10	215JM	167
B723D**	3,540.00	C720D	4,320.00	B841D	3,760.00	15	254JM	190
B724D**	3,870.00	C721D	4,660.00	B842D	4,090.00	20	256JM	220

▶ AEGIS Shaft Grounding Ring Option Prices

\* Baldor Electric Company's warranty covers manufacturing defects of their motors. Performance of the AEGIS™ shaft grounding ring is covered by the following warranty from Electro Static Technology.

Electro Static Technology guarantees any new motor up to 100 HP will not fail from electrical bearing fluting damage for the expected normal bearing life of the original motor bearings when the AEGIS™ SGR Bearing Protection ring is installed. If electrically induced fluting damage occurs, Electro Static Technology will replace motor bearings.

Guarantee is subject to the terms and conditions of the AEGIS™ SGR Guarantee Program:

1. Electrically induced fluting damage must be verified by EST or an authorized entity to qualify for bearing replacement. EST shall not be liable for greater than 35% of the original cost of the motor or the Vaughen's National Average Price to furnish and install two (2) standard ball bearings. 2. To qualify for the AEGIS™ SGR Bearing Protection Ring performance guarantee, all motors with AEGIS™ SGR Bearing Protection Ring install must be registered within 30 days of placing the new motor into service. Proof of purchase is required. Register online to qualify for this performance guarantee. <http://www.est-aegis.com/registerform.cfm>

**\*\* Special lead times apply to all motors - consult factory for availability.**

**NOTE:** Representatives must participate in CI Series Pump Kit Program in order to be eligible to order from the list price sheet.

For all motors over 30 HP consult factory.

Drop shipments larger than 1500 lbs. will be shipped FFA.

Drop shipments under 1500 lbs. will be shipped collect.

See Scoop Book for more detailed information.

# ODP JM Motors for CI & KV Pump Kits

303-036  
Page 2 of 2

ENCLOSURE; ODP - RPM: 3600

ORDER # 230/460 VOLT	LIST PRICE(\$) 230/460 VOLT	▶ BALDOR w/ *AEGIS SGR	LIST PRICE(\$) w/ *AEGIS SGR	ORDER # 200 VOLT	LIST PRICE(\$) 200 VOLT	HP	NEMA MOTOR FRAME	APPROX. SHIP WT.
B899D**	CF	C741D	CF	A827D	CF	1½	143JM	40
B864D**	1,160.00	C742D	1,741.00	B849D	1,401.00	2	145JM	44
B865D**	1,402.00	C743D	1,983.00	B850D	1,642.00	3	145JM	55
B866D**	1,531.00	C744D	2,144.00	B851D	1,772.00	5	182JM	79
B867D**	1,725.00	C745D	2,339.00	B852D	1,966.00	7½	184JM	92
B868D**	2,213.00	C746D	2,880.00	B853D	2,454.00	10	213JM	122
B869D**	2,650.00	C747D	3,320.00	B854D	2,890.00	15	215JM	160
B870D**	3,350.00	C748D	4,140.00	B855D	3,590.00	20	254JM	226
B871D**	3,910.00	C749D	4,700.00	B856D	4,380.00	25	256JM	235
B872D**	4,970.00	C750D	5,920.00	B857D	5,450.00	30	284JM	329

▶AEGIS Shaft Grounding Ring Option Prices

\* Baldor Electric Company's warranty covers manufacturing defects of their motors. Performance of the AEGIS™ shaft grounding ring is covered by the following warranty from Electro Static Technology.

Electro Static Technology guarantees any new motor up to 100 HP will not fail from electrical bearing fluting damage for the expected normal bearing life of the original motor bearings when the AEGIS™ SGR Bearing Protection ring is installed. If electrically induced fluting damage occurs, Electro Static Technology will replace motor bearings.

Guarantee is subject to the terms and conditions of the AEGIS™ SGR Guarantee Program:

1. Electrically induced fluting damage must be verified by EST or an authorized entity to qualify for bearing replacement. EST shall not be liable for greater than 35% of the original cost of the motor or the Vaughen's National Average Price to furnish and install two (2) standard ball bearings. 2. To qualify for the AEGIS™ SGR Bearing Protection Ring performance guarantee, all motors with AEGIS™ SGR Bearing Protection Ring install must be registered within 30 days of placing the new motor into service. Proof of purchase is required. Register online to qualify for this performance guarantee. <http://www.est-aegis.com/registerform.cfm>

**\* Special lead times apply to all motors - consult factory for availability.**

**NOTE:** Representatives must participate in CI Series Pump Kit Program in order to be eligible to order from the list price sheet.

For all motors over 30 HP consult factory.

Drop shipments larger than 1500 lbs. will be shipped FFA.

Drop shipments under 1500 lbs. will be shipped collect.

See Scoop Book for more detailed information.

TACO INC., 1160 Cranston Street, Cranston, RI 02920 Telephone: (401) 942-8000 Fax: (401) 942-2360  
TACO (Canada), Ltd., 8450 Lawson Road, Milton, Ontario L9T 0J8 Telephone: (905) 564-9422 Fax: (905) 564-9436  
Visit our website at: [www.taco-hvac.com](http://www.taco-hvac.com)

Printed in USA

Copyright 2006

TACO, Inc.



# Suggested List Prices

# VM Series Pumps

**Supersedes:** December 28, 2011

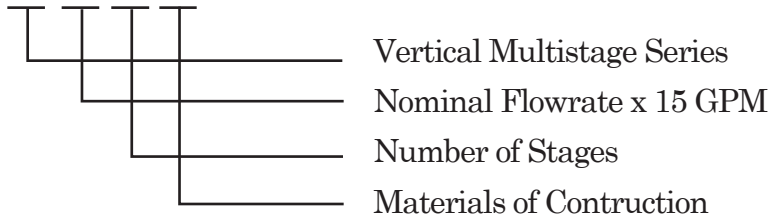
**Updated:** January 12, 2015

**Effective:** February 04, 2013

## HOW TO ORDER:

### 1. Specify Model Number:

VM0205B

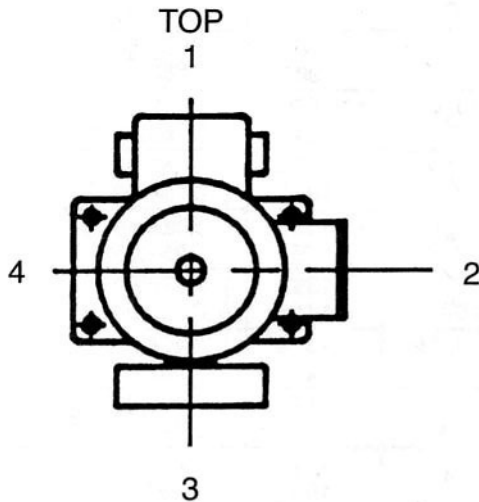


- B = Cast Iron Casing, 304 SS Hydraulic Components
- D = 316 SS Casing, 316 SS Hydraulic Components
- E = 304 SS Casing, 304 SS Hydraulic Components

### 2. Motor Information Required:

Enclosure Type-TEFC or ODP  
Phase and Voltage

### 3. Motor and Pump Orientation:



### Standard Configuration

- Suction Port Position #3
- Discharge Port Position #1
- Motor Conduit Box Position #2



# VM Series Pumps

Effective Date: February 04, 2013

303-037

PAGE 2 OF 8

## VM Vertical Multi-Stage Pumps

# Cast Iron Volute

### VM01 Series

**Materials:** Cast Iron casing, 304SS Hydraulic Components

**MotorPhase:** Single Phase\*\* or Three Phase\*\*\*

**Please Note:** Prices in **BOLD** type indicate pump lead time of 2 to 3 weeks.

**For all others, consult factory (8 to 10 weeks estimated).**

Flanged Connections								
Tungsten/Carbon/EPDM Seals			Single Phase Models**			Three Phase Models***		
Taco Pump End Model	Stages #	HP	ODP (\$)	TEFC (\$)	TEFC Prem. Eff. (\$)	ODP (\$)	TEFC (\$)	TEFC Prem. Eff. (\$)
VM0102BB	2	.5	Not Available	<b>1,593.00</b>	Not Available	Not Available	Not Available	<b>1,652.00</b>
VM0103BB	3	.75		<b>1,766.00</b>				<b>1,698.00</b>
VM0104BB	4	1		<b>1,967.00</b>				<b>1,877.00</b>
VM0105BB	5	1.5		<b>2,147.00</b>				<b>2,058.00</b>
VM0106BB	6	1.5		<b>2,233.00</b>				<b>2,138.00</b>
VM0107BB	7	2		<b>2,326.00</b>				<b>2,220.00</b>
VM0108BB	8	2		<b>2,413.00</b>				<b>2,302.00</b>
VM0110BB	10	3		3,220.00				<b>2,780.00</b>
VM0112BB	12	3		3,390.00				<b>2,950.00</b>
VM0115BB	15	5		<b>3,980.00</b>				4,850.00
VM0118BB	18	5	<b>4,240.00</b>	5,110.00	<b>3,640.00</b>	3,770.00		

## VM Vertical Multi-Stage Pumps

### VM02 Series

**Materials:** Cast Iron casing, 304SS Hydraulic Components

**MotorPhase:** Single Phase\*\* or Three Phase\*\*\*

Flanged Connections											
Tungsten/Carbon/EPDM Seals			Single Phase Models**			Three Phase Models***					
Taco Pump End Model	Stages #	HP	ODP (\$)	TEFC (\$)	TEFC Prem. Eff. (\$)	ODP (\$)	TEFC (\$)	TEFC Prem. Eff. (\$)			
VM0201BB	1	.5	Not Available	<b>1,555.00</b>	Not Available	Not Available	Not Available	<b>1,667.00</b>			
VM0202BB	2	.75		<b>1,774.00</b>				<b>1,762.00</b>			
VM0203BB	3	1.5		<b>2,117.00</b>				<b>2,097.00</b>			
VM0204BB	4	1.5		<b>2,251.00</b>				<b>2,226.00</b>			
VM0205BB	5	2		<b>2,392.00</b>				<b>2,357.00</b>			
VM0206BB	6	3		3,160.00				<b>2,820.00</b>			
VM0207BB	7	3		3,290.00				<b>2,950.00</b>			
VM0208BB	8	3		3,430.00				<b>3,080.00</b>			
VM0210BB	10	5		<b>4,030.00</b>				4,900.00	Not Available	<b>3,430.00</b>	3,680.00
VM0212BB	12	5		<b>4,300.00</b>				5,160.00		<b>3,700.00</b>	3,940.00
VM0214BB	14	5	<b>4,560.00</b>	5,430.00	<b>3,960.00</b>	4,200.00					
VM0216BB	16	7.5	<b>5,210.00</b>	6,060.00	<b>4,500.00</b>	4,740.00					

\*\* Single Phase 3HP and below are 115/208-230/1. Above 3HP are 208-230/1. Consult Factory for 200/1 TEFC pricing.

\*\*\* Three Phase 15HP and below are 208-230/460/3. Above 15HP are 230/460/3. Consult Factory for 200/3 TEFC STD.

# VM Series Pumps

Effective Date: February 04, 2013

303-037

PAGE 3 OF 8

## VM Vertical Multi-Stage Pumps VM04 Series

## Cast Iron Volute

Materials: Cast Iron casing, 304SS Hydraulic Components  
MotorPhase: Single Phase\*\* or Three Phase

Please Note: Prices in BOLD type indicate pump lead time of 2 to 3 weeks.  
For all others, consult factory (8 to 10 weeks estimated).

Flanged Connections									
Tungsten/Carbon/EPDM Seals			Single Phase Models**			Three Phase Models***			
Taco Pump End Model	Stages #	HP	ODP (\$)	TEFC (\$)	TEFC Prem. Eff. (\$)	ODP (\$)	TEFC (\$)	TEFC Prem. Eff. (\$)	
VM0401BB	1	.75	Not Available	<b>2,580.00</b>	Not Available	Not Available	Not Available	<b>2,510.00</b>	
VM0402BB	2	1.5		<b>3,000.00</b>				<b>2,910.00</b>	
VM0403BB	3	3		4,060.00				<b>3,630.00</b>	
VM0404BB	4	3		4,280.00				<b>3,830.00</b>	
VM0405BB	5	5	<b>4,820.00</b>	5,690.00		Not Available	Not Available	<b>4,220.00</b>	4,380.00
VM0406BB	6	5	<b>5,030.00</b>	5,900.00				<b>4,430.00</b>	4,580.00
VM0408BB	8	7.5	<b>5,840.00</b>	6,680.00				<b>5,130.00</b>	5,260.00
VM0410BB	10	7.5	<b>6,260.00</b>	7,110.00				<b>5,550.00</b>	5,670.00
VM0412BB	12	10	<b>7,260.00</b>	9,040.00				<b>6,190.00</b>	6,400.00
VM0414BB	14	10	<b>7,690.00</b>	9,460.00				<b>6,610.00</b>	6,800.00
VM0416BB	16	15	Not Available			7,100.00	<b>8,460.00</b>	9,730.00	

## VM Vertical Multi-Stage Pumps VM06 Series

Materials: Cast Iron casing, 304SS Hydraulic Components  
MotorPhase: Single Phase\*\* or Three Phase\*\*\*

Flanged Connections								
Tungsten/Carbon/EPDM Seals			Single Phase Models**			Three Phase Models***		
Taco Pump End Model	Stages #	HP	ODP (\$)	TEFC (\$)	TEFC Prem. Eff. (\$)	ODP (\$)	TEFC (\$)	TEFC Prem. Eff. (\$)
VM0602BB	2	5	<b>4,400.00</b>	5,270.00	Not Available	Not Available	<b>3,800.00</b>	4,040.00
VM0603BB	3	7.5	<b>5,100.00</b>	5,950.00			<b>4,390.00</b>	4,640.00
VM0604BB	4	7.5	<b>5,420.00</b>	6,260.00			<b>4,710.00</b>	4,940.00
VM0605BB	5	10	<b>6,320.00</b>	8,090.00			<b>5,250.00</b>	5,590.00
VM0606BB	6	15	Not Available	Not Available		<b>5,630.00</b>	6,980.00	8,460.00
VM0607BB	7	15				<b>5,950.00</b>	7,300.00	8,770.00
VM0608BB	8	15				<b>6,270.00</b>	7,620.00	9,080.00
VM0610BB	10	20				<b>8,040.00</b>	8,980.00	10,090.00
VM0612BB	12	25				<b>8,920.00</b>	9,750.00	10,720.00

\*\* Single Phase 3HP and below are 115/208-230/1. Above 3HP are 208-230/1. Consult Factory for 200/1 TEFC pricing.

\*\*\* Three Phase 15HP and below are 208-230/460/3. Above 15HP are 230/460/3. Consult Factory for 200/3 TEFC STD.

**Do it Once. Do it Right.™**

TACO INC., 1160 Cranston Street, Cranston, RI 02920 Telephone: (401) 942-8000 Fax: (401) 942-2360  
TACO (Canada), Ltd., 8450 Lawson Road, Milton, Ontario L9T 0J8 Telephone: (905) 564-9422 Fax: (905) 564-9436  
Visit our website at: [www.taco-hvac.com](http://www.taco-hvac.com)

# VM Series Pumps

Effective Date: February 04, 2013

303-037

PAGE 4 OF 8

## VM Vertical Multi-Stage Pumps

# 304 SS Construction

### VM01 Series

**Materials:** 304 SS casing, 304SS Hydraulic Components  
**MotorPhase:** Single Phase\*\* or Three Phase\*\*\*

**Please Note: Prices in BOLD type indicate pump lead time of 2 to 3 weeks.  
 For all others, consult factory (8 to 10 weeks estimated).**

Flanged Connections								
Tungsten/Carbon/EPDM Seals			Single Phase Models**			Three Phase Models***		
Taco Pump End Model	Stages #	HP	ODP (\$)	TEFC (\$)	TEFC Prem. Eff. (\$)	ODP (\$)	TEFC (\$)	TEFC Prem. Eff. (\$)
VM01023EB	2	.5	Not Available	<b>1,877.00</b>	Not Available	Not Available	Not Available	<b>1,899.00</b>
VM0103EB	3	.75		<b>2,050.00</b>				<b>1,947.00</b>
VM0104EB	4	1		<b>2,253.00</b>				<b>2,125.00</b>
VM0105EB	5	1.5		<b>2,434.00</b>				<b>2,306.00</b>
VM0106EB	6	1.5		<b>2,521.00</b>				<b>2,386.00</b>
VM0107EB	7	2		<b>2,615.00</b>				<b>2,468.00</b>
VM0108EB	8	2		<b>2,702.00</b>				<b>2,549.00</b>
VM0110EB	10	3		3,513.00				<b>3,029.00</b>
VM0112EB	12	3		3,686.00				<b>3,191.00</b>
VM0115EB	15	5		<b>4,284.00</b>				5,153.00
VM0118EB	18	5	<b>4,545.00</b>	5,413.00	<b>3,939.00</b>	4,011.00		

## VM Vertical Multi-Stage Pumps

### VM02 Series

**Materials:** 304 SS casing, 304SS Hydraulic Components  
**MotorPhase:** Single Phase\*\* or Three Phase\*\*\*

Flanged Connections											
Tungsten/Carbon/EPDM Seals			Single Phase Models**			Three Phase Models***					
Taco Pump End Model	Stages #	HP	ODP (\$)	TEFC (\$)	TEFC Prem. Eff. (\$)	ODP (\$)	TEFC (\$)	TEFC Prem. Eff. (\$)			
VM0201EB	1	.5	Not Available	<b>1,839.00</b>	Not Available	Not Available	Not Available	<b>1,864.00</b>			
VM0202EB	2	.75		<b>2,062.00</b>				<b>1,958.00</b>			
VM0203EB	3	1.5		<b>2,408.00</b>				<b>2,281.00</b>			
VM0204EB	4	1.5		<b>2,544.00</b>				<b>2,408.00</b>			
VM0205EB	5	2		<b>2,687.00</b>				<b>2,535.00</b>			
VM0206EB	6	3		3,460.00				<b>2,980.00</b>			
VM0207EB	7	3		3,596.00				<b>3,106.00</b>			
VM0208EB	8	3		3,732.00				<b>3,233.00</b>			
VM0210EB	10	5		<b>4,341.00</b>				5,209.00	Not Available	<b>3,736.00</b>	3,822.00
VM0212EB	12	5		<b>4,613.00</b>				5,481.00		<b>4,007.00</b>	4,074.00
VM0214EB	14	5	<b>4,885.00</b>	5,753.00	<b>4,279.00</b>	4,327.00					
VM0216EB	16	7.5	<b>5,537.00</b>	6,387.00	<b>4,822.00</b>	4,851.00					

\*\* Single Phase 3HP and below are 115/208-230/1. Above 3HP are 208-230/1. Consult Factory for 200/1 TEFC pricing.

\*\*\* Three Phase 15HP and below are 208-230/460/3. Above 15HP are 230/460/3. Consult Factory for 200/3 TEFC STD.

# VM Series Pumps

Effective Date: February 04, 2013

303-037

PAGE 5 OF 8

**VM Vertical Multi-Stage Pumps  
VM04 Series**

## 304 SS Construction

**Materials:** 304 SS casing, 304SS Hydraulic Components  
**MotorPhase:** Single Phase\*\* or Three Phase

**Please Note: Prices in BOLD type indicate pump lead time of 2 to 3 weeks.  
For all others, consult factory (8 to 10 weeks estimated).**

Flanged Connections									
Tungsten/Carbon/EPDM Seals			Single Phase Models**			Three Phase Models***			
Taco Pump End Model	Stages #	HP	ODP (\$)	TEFC (\$)	TEFC Prem. Eff. (\$)	ODP (\$)	TEFC (\$)	TEFC Prem. Eff. (\$)	
VM0401EB	1	.75	Not Available	<b>2,809.00</b>	Not Available	Not Available		<b>2,652.00</b>	
VM0402EB	2	1.5		<b>3,232.00</b>			<b>3,047.00</b>		
VM0403EB	3	3		4,249.00			<b>3,713.00</b>		
VM0404EB	4	3		4,462.00			<b>3,910.00</b>		
VM0405EB	5	5	<b>5,012.00</b>	5,880.00		Not Available		<b>4,406.00</b>	4,445.00
VM0406EB	6	5	<b>5,224.00</b>	6,093.00			<b>4,619.00</b>	4,642.00	
VM0408EB	8	7.5	<b>6,030.00</b>	6,881.00			<b>5,315.00</b>	5,309.00	
VM0410EB	10	7.5	<b>6,455.00</b>	7,306.00			<b>5,740.00</b>	5,704.00	
VM0412EB	12	10	<b>7,463.00</b>	9,248.00			<b>6,387.00</b>	6,426.00	
VM0414EB	14	10	<b>7,889.00</b>	9,674.00			<b>6,813.00</b>	6,821.00	
VM0416EB	16	15	Not Available			7,156.00	<b>8,513.00</b>	9,548.00	

**VM Vertical Multi-Stage Pumps  
VM06 Series**

**Materials:** 304 SS casing, 304SS Hydraulic Components  
**MotorPhase:** Single Phase\*\* or Three Phase\*\*\*

Flanged Connections									
Tungsten/Carbon/EPDM Seals			Single Phase Models**			Three Phase Models***			
Taco Pump End Model	Stages #	HP	ODP (\$)	TEFC (\$)	TEFC Prem. Eff. (\$)	ODP (\$)	TEFC (\$)	TEFC Prem. Eff. (\$)	
VM0602EB	2	5	<b>4,590.00</b>	5,459.00	Not Available	Not Available		<b>3,985.00</b>	4,053.00
VM0603EB	3	7.5	<b>5,291.00</b>	6,142.00			<b>4,576.00</b>	4,623.00	
VM0604EB	4	7.5	<b>5,612.00</b>	6,463.00			<b>4,897.00</b>	4,921.00	
VM0605EB	5	10	<b>6,516.00</b>	8,300.00			<b>5,440.00</b>	5,545.00	
VM0606EB	6	15	Not Available			Not Available	<b>5,839.00</b>	7,195.00	8,325.00
VM0607EB	7	15		<b>6,160.00</b>			7,516.00	8,623.00	
VM0608EB	8	15		<b>6,481.00</b>			7,837.00	8,921.00	
VM0610EB	10	20		<b>8,245.00</b>			9,192.00	9,892.00	
VM0612EB	12	25		<b>9,183.00</b>			10,017.00	10,536.00	

**\*\* Single Phase 3HP and below are 115/208-230/1. Above 3HP are 208-230/1. Consult Factory for 200/1 TEFC pricing.  
\*\*\* Three Phase 15HP and below are 208-230/460/3. Above 15HP are 230/460/3. Consult Factory for 200/3 TEFC STD.**

**Do it Once. Do it Right.™**

TACO INC., 1160 Cranston Street, Cranston, RI 02920 Telephone: (401) 942-8000 Fax: (401) 942-2360  
TACO (Canada), Ltd., 8450 Lawson Road, Milton, Ontario L9T 0J8 Telephone: (905) 564-9422 Fax: (905) 564-9436  
Visit our website at: [www.taco-hvac.com](http://www.taco-hvac.com)

# VM Series Pumps

Effective Date: February 04, 2013

303-037

PAGE 6 OF 8

## VM Vertical Multi-Stage Pumps

# 316 SS Construction

### VM01 Series

Materials: 316 SS casing, 316SS Hydraulic Components

MotorPhase: Single Phase\*\* or Three Phase\*\*\*

**Please Note: Prices in BOLD type indicate pump lead time of 2 to 3 weeks.**

**For all others, consult factory (8 to 10 weeks estimated).**

Flanged Connections								
Tungsten/Carbon/EPDM Seals			Single Phase Models**			Three Phase Models***		
Taco Pump End Model	Stages #	HP	ODP (\$)	TEFC (\$)	TEFC Prem. Eff. (\$)	ODP (\$)	TEFC (\$)	TEFC Prem. Eff. (\$)
VM0102DB	2	.5	Not Available	<b>2,192.00</b>	Not Available	Not Available	Not Available	<b>2,192.00</b>
VM0103DB	3	.75		<b>2380.00</b>				<b>2,253.00</b>
VM0104DB	4	1		<b>2,596.00</b>				<b>2,444.00</b>
VM0105DB	5	1.5		<b>2,792.00</b>				<b>2,638.00</b>
VM0106DB	6	1.5		<b>2,892.00</b>				<b>2,731.00</b>
VM0107DB	7	2		<b>3,001.00</b>				<b>2,826.00</b>
VM0108DB	8	2		<b>3,101.00</b>				<b>2,919.00</b>
VM0110DB	10	3		3,939.00				<b>3,425.00</b>
VM0112DB	12	3		4,141.00				<b>3,612.00</b>
VM0115DB	15	5		<b>4,780.00</b>				5,649.00
VM0118DB	18	5	<b>5,082.00</b>	5,951.00	<b>4,477.00</b>	4,510.00		

## VM Vertical Multi-Stage Pumps

### VM02 Series

Materials: 316 SS casing, 316SS Hydraulic Components

MotorPhase: Single Phase\*\* or Three Phase\*\*\*

Flanged Connections											
Tungsten/Carbon/EPDM Seals			Single Phase Models**			Three Phase Models***					
Taco Pump End Model	Stages #	HP	ODP (\$)	TEFC (\$)	TEFC Prem. Eff. (\$)	ODP (\$)	TEFC (\$)	TEFC Prem. Eff. (\$)			
VM0201DB	1	.5	Not Available	<b>2,176.00</b>	Not Available	Not Available	Not Available	<b>2,177.00</b>			
VM0202DB	2	.75		<b>2,448.00</b>				<b>2,316.00</b>			
VM0203DB	3	1.5		<b>2,843.00</b>				<b>2,686.00</b>			
VM0204DB	4	1.5		<b>3,028.00</b>				<b>2,857.00</b>			
VM0205DB	5	2		<b>3,221.00</b>				<b>3,030.00</b>			
VM0206DB	6	3		4,043.00				<b>3,521.00</b>			
VM0207DB	7	3		4,228.00				<b>3,693.00</b>			
VM0208DB	8	3		4,413.00				<b>3,865.00</b>			
VM0210DB	10	5		<b>5,120.00</b>				5,988.00	Not Available	<b>4,515.00</b>	4,545.00
VM0212DB	12	5		<b>5,490.00</b>				6,358.00		<b>4,885.00</b>	4,889.00
VM0214DB	14	5	<b>5,860.00</b>	6,728.00	<b>5,255.00</b>	5,232.00					
VM0216DB	16	7.5	<b>6,610.00</b>	7,461.00	<b>5,895.00</b>	5,848.00					

\*\* Single Phase 3HP and below are 115/208-230/1. Above 3HP are 208-230/1. Consult Factory for 200/1 TEFC pricing.

\*\*\* Three Phase 15HP and below are 208-230/460/3. Above 15HP are 230/460/3. Consult Factory for 200/3 TEFC STD.

# VM Series Pumps

**Effective Date:** February 04, 2013

303-037

PAGE 7 OF 8

## VM Vertical Multi-Stage Pumps VM04 Series

# 316 SS Construction

**Materials:** 316 SS casing, 316SS Hydraulic Components  
**MotorPhase:** Single Phase\*\* or Three Phase

**Please Note: Prices in BOLD type indicate pump lead time of 2 to 3 weeks.  
For all others, consult factory (8 to 10 weeks estimated).**

Flanged Connections									
Tungsten/Carbon/EPDM Seals			Single Phase Models**			Three Phase Models***			
Taco Pump End Model	Stages #	HP	ODP (\$)	TEFC (\$)	TEFC Prem. Eff. (\$)	ODP (\$)	TEFC (\$)	TEFC Prem. Eff. (\$)	
VM0401DB	1	.75	Not Available	<b>3,597.00</b>	Not Available	Not Available	Not Available	<b>3,383.00</b>	
VM0402DB	2	1.5		<b>4,055.00</b>				<b>3,811.00</b>	
VM0403DB	3	3		5,107.00				<b>4,510.00</b>	
VM0404DB	4	3		5,355.00				<b>4,740.00</b>	
VM0405DB	5	5	<b>5,941.00</b>	6,809.00		Not Available	Not Available	<b>5,335.00</b>	5,307.00
VM0406DB	6	5	<b>6,189.00</b>	7,057.00				<b>5,583.00</b>	5,537.00
VM0408DB	8	7.5	<b>7,065.00</b>	7,915.00				<b>6,350.00</b>	6,270.00
VM0410DB	10	7.5	<b>7,560.00</b>	8,411.00				<b>6,846.00</b>	6,731.00
VM0412DB	12	10	<b>8,639.00</b>	10,424.00				<b>7,563.00</b>	7,517.00
VM0414DB	14	10	<b>9,135.00</b>	10,920.00				<b>8,059.00</b>	7,978.00
VM0416DB	16	15	Not Available			8,473.00	<b>9,830.00</b>	10,771.00	

## VM Vertical Multi-Stage Pumps VM06 Series

**Materials:** 316 SS casing, 316SS Hydraulic Components  
**MotorPhase:** Single Phase\*\* or Three Phase\*\*\*

Flanged Connections								
Tungsten/Carbon/EPDM Seals			Single Phase Models**			Three Phase Models***		
Taco Pump End Model	Stages #	HP	ODP (\$)	TEFC (\$)	TEFC Prem. Eff. (\$)	ODP (\$)	TEFC (\$)	TEFC Prem. Eff. (\$)
VM0602DB	2	5	<b>5,489.00</b>	6,357.00	Not Available	Not Available	<b>4,883.00</b>	4,888.00
VM0603DB	3	7.5	<b>6,263.00</b>	7,114.00			<b>5,548.00</b>	5,526.00
VM0604DB	4	7.5	<b>6,657.00</b>	7,508.00			<b>5,942.00</b>	5,891.00
VM0605DB	5	10	<b>7,633.00</b>	9,418.00			<b>6,557.00</b>	6,583.00
VM0606DB	6	15	Not Available	Not Available		<b>7,029.00</b>	8,386.00	9,430.00
VM0607DB	7	15				<b>7,423.00</b>	8,780.00	9,796.00
VM0608DB	8	15				<b>7,817.00</b>	9,174.00	10,162.00
VM0610DB	10	20				<b>9,728.00</b>	10,674.00	11,269.00
VM0612DB	12	25				<b>10,811.00</b>	11,646.00	12,048.00

\*\* Single Phase 3HP and below are 115/208-230/1. Above 3HP are 208-230/1. Consult Factory for 200/1 TEFC pricing.

\*\*\* Three Phase 15HP and below are 208-230/460/3. Above 15HP are 230/460/3. Consult Factory for 200/3 TEFC STD.

**Do it Once. Do it Right.™**

TACO INC., 1160 Cranston Street, Cranston, RI 02920 Telephone: (401) 942-8000 Fax: (401) 942-2360  
TACO (Canada), Ltd., 8450 Lawson Road, Milton, Ontario L9T 0J8 Telephone: (905) 564-9422 Fax: (905) 564-9436  
Visit our website at: [www.taco-hvac.com](http://www.taco-hvac.com)

# VM Series Pumps

Effective Date: February 04, 2013

303-037

PAGE 7 OF 8

## VM Vertical Multi-Stage Pumps

# 316 SS

### VM04 Series

**Materials:** 316 SS casing, 316SS Construction Hydraulic Components

**MotorPhase:** Single Phase\*\* or Three Phase

**Please Note: Prices in BOLD type indicate pump lead time of 2 to 3 weeks.**

**For all others, consult factory (8 to 10 weeks estimated).**

Flanged Connections								
Tungsten/Carbon/EPDM Seals			Single Phase Models**			Three Phase Models***		
Taco Pump End Model	Stages #	HP	ODP (\$)	TEFC (\$)	TEFC Prem. Eff. (\$)	ODP (\$)	TEFC (\$)	TEFC Prem. Eff. (\$)
VM0401DB	1	.75	Not Available	<b>3,597.00</b>	Not Available	Not Available	Not Available	<b>3,383.00</b>
VM0402DB	2	1.5		<b>4,055.00</b>				<b>3,811.00</b>
VM0403DB	3	3	<b>4,902.00</b>	5,107.00				<b>4,510.00</b>
VM0404DB	4	3	<b>5,150.00</b>	5,355.00				<b>4,740.00</b>
VM0405DB	5	5	<b>5,941.00</b>	6,809.00		5,168.00	<b>5,335.00</b>	5,307.00
VM0406DB	6	5	<b>6,189.00</b>	7,057.00		5,416.00	<b>5,583.00</b>	5,537.00
VM0408DB	8	7.5	<b>7,065.00</b>	7,915.00		6,181.00	<b>6,350.00</b>	6,270.00
VM0410DB	10	7.5	<b>7,560.00</b>	8,411.00		6,677.00	<b>6,846.00</b>	6,731.00
VM0412DB	12	10	<b>8,639.00</b>	10,424.00		7,333.00	<b>7,563.00</b>	7,517.00
VM0414DB	14	10	<b>9,135.00</b>	10,920.00		7,828.00	<b>8,059.00</b>	7,978.00
VM0416DB	16	15	Not Available		8,473.00	<b>9,830.00</b>	10,771.00	

## VM Vertical Multi-Stage Pumps

### VM06 Series

**Materials:** 316 SS casing, 316SS Construction Hydraulic Components

**MotorPhase:** Single Phase\*\* or Three Phase\*\*\*

Flanged Connections								
Tungsten/Carbon/EPDM Seals			Single Phase Models**			Three Phase Models***		
Taco Pump End Model	Stages #	HP	ODP (\$)	TEFC (\$)	TEFC Prem. Eff. (\$)	ODP (\$)	TEFC (\$)	TEFC Prem. Eff. (\$)
VM0602DB	2	5	<b>5,489.00</b>	6,357.00	Not Available	Not Available	<b>4,883.00</b>	4,888.00
VM0603DB	3	7.5	<b>6,263.00</b>	7,114.00			<b>5,548.00</b>	5,526.00
VM0604DB	4	7.5	<b>6,657.00</b>	7,508.00			<b>5,942.00</b>	5,891.00
VM0605DB	5	10	<b>7,633.00</b>	9,418.00			<b>6,557.00</b>	6,583.00
VM0606DB	6	15	Not Available	Not Available		<b>7,029.00</b>	8,386.00	9,430.00
VM0607DB	7	15				<b>7,423.00</b>	8,780.00	9,796.00
VM0608DB	8	15				<b>7,817.00</b>	9,174.00	10,162.00
VM0610DB	10	20				<b>9,728.00</b>	10,674.00	11,269.00
VM0612DB	12	25				<b>10,811.00</b>	11,646.00	12,048.00

\*\* Single Phase 3HP and below are 115/208-230/1. Above 3HP are 208-230/1. Consult Factory for 200/1 TEFC pricing.

\*\*\* Three Phase 15HP and below are 208-230/460/3. Above 15HP are 230/460/3. Consult Factory for 200/3 TEFC STD.

**Do it Once. Do it Right.™**

TACO INC., 1160 Cranston Street, Cranston, RI 02920 Telephone: (401) 942-8000 Fax: (401) 942-2360  
 TACO (Canada), Ltd., 8450 Lawson Road, Milton, Ontario L9T 0J8 Telephone: (905) 564-9422 Fax: (905) 564-9436  
 Visit our website at: [www.taco-hvac.com](http://www.taco-hvac.com)





# Replacement Parts List Prices VM Pumps

303-038  
PAGE 1 OF 5

Supersede: October 3, 2012

Effective: February 04, 2013

## REPLACEMENT SEAL AND GASKET KITS

Design 1 (15 position Taco Model Number) - Pumps Manufactured from 01/2000 to 06/2005

Example: VM0204BBA1B925D includes paper sleeve gaskets

CATALOG NUMBER	DESCRIPTION	LIST PRICE (\$)
1800-B78038	Seal Kit for VM01 and VM02, 1-12 Stages*	355.50
1800-B78039	Seal Kit, VM01 and VM02, 15-18 Stages*	438.00
1800-B78040	Seal Kit, VM04, 1-12 Stages. And VM06, 2-8 Stages*	355.50
1800-B78041	Seal Kit, VM04, 14-16 Stages. And VM06, 10-12 Stages*	477.50

Design 2 (15 position Taco Model Number) - Pumps Manufactured from 06/2005 to end of 2011

Replacement Seal Kits (includes paper gaskets and o-rings)

CATALOG NUMBER	DESCRIPTION	LIST PRICE (\$)
1800-B85347	Seal Kit, VM01 and VM02 Series*	434.50
1800-B85348	Seal Kit, VM04 and VM06 Series*	420.00

Design 3 (16 position Taco Model Number - Double Flat Shaft Design) - July to October 2011 phase-in

Example: VM0204BBA1AB925D includes sleeve o-rings

CATALOG NUMBER	DESCRIPTION	LIST PRICE (\$)
1800-B85816	Seal Kit, VM01 and VM02 Series**	623.00
1800-B85819	Seal Kit, VM04 and VM06 Series**	692.00

\* Design 1 and Design 2 seals are Tungsten-carbide/Tungsten-carbide/EPDM

\*\*Design 3 seals are Tungsten-Carbide/Carbon/EPDM

If in doubt of which design series you may be ordering repair components for, please contact the factory at 1-888-237-5353 (press 1).

Please have the pump serial number available.



TACO INC., 1160 Cranston Street, Cranston, RI 02920 Telephone: (401) 942-8000 Fax: (401) 942-2360  
TACO (Canada), Ltd., 8450 Lawson Road, Milton, Ontario L9T 0J8 Telephone: (905) 564-9422 Fax: (905) 564-9436  
Visit our website at: [www.taco-hvac.com](http://www.taco-hvac.com). Printed in USA. Copyright 2007, TACO, Inc.



# VM PUMPS REPLACEMENT PARTS

Effective Date: February 04, 2013

303-038

Page 2 of 5

## REPLACEMENT PUMP STACKS

Note: Only Design 3 (double-flat shaft) stacks available. They fit Designs 1 and 2 also. Design 3 seals are required.

Pump Model	VM01BB - CI Volute		VM01EB - 304SS Volute		VM01DB - All 316SS	
	Part Number	List Price	Part Number	List Price	Part Number	List Price
VM0102	1800-B76613RSD	957.00	1800-B82227RSD	957.00	1800-B82250RSD	1,342.00
VM0103	1800-B76614RSD	1,025.00	1800-B82228RSD	1,025.00	1800-B82251RSD	1,460.00
VM0104	1800-B76615RSD	1,092.00	1800-B82229RSD	1,092.00	1800-B82252RSD	1,577.00
VM0105	1800-B76616RSD	1,162.00	1800-B82230RSD	1,162.00	1800-B82253RSD	1,693.00
VM0106	1800-B76617RSD	1,228.00	1800-B82231RSD	1,228.00	1800-B82254RSD	1,812.00
VM0107	1800-B76618RSD	1,300.00	1800-B82232RSD	1,300.00	1800-B82255RSD	1,930.00
VM0108	1800-B76619RSD	1,367.00	1800-B82233RSD	1,367.00	1800-B82256RSD	2,046.00
VM0110	1800-B76620RSD	1,505.00	1800-B82234RSD	1,505.00	1800-B82257RSD	2,281.00
VM0112	1800-B76621RSD	1,638.00	1800-B82235RSD	1,638.00	1800-B82258RSD	2,510.00
VM0115	1800-B76622RSD	1,843.00	1800-B82236RSD	1,843.00	1800-B82259RSD	2,870.00
VM0118	1800-B78022RSD	2,049.00	1800-B82237RSD	2,049.00	1800-B82260RSD	3,220.00

Pump Model	VM02BB - CI Volute		VM02EB - 304SS Volute		VM02DB - All 316SS	
	Part Number	List Price	Part Number	List Price	Part Number	List Price
VM0201	1800-B76623RSD	988.00	1800-B82238RSD	988.00	1800-B82261RSD	1,654.00
VM0202	1800-B76624RSD	1,119.00	1800-B82239RSD	1,119.00	1800-B82262RSD	1,851.00
VM0203	1800-B76625RSD	1,253.00	1800-B82240RSD	1,253.00	1800-B82263RSD	2,049.00
VM0204	1800-B76626RSD	1,381.00	1800-B82241RSD	1,381.00	1800-B82264RSD	2,243.00
VM0205	1800-B76627RSD	1,514.00	1800-B82242RSD	1,514.00	1800-B82265RSD	2,441.00
VM0206	1800-B76628RSD	1,643.00	1800-B82243RSD	1,643.00	1800-B82266RSD	2,640.00
VM0207	1800-B76629RSD	1,776.00	1800-B82244RSD	1,776.00	1800-B82267RSD	2,830.00
VM0208	1800-B76630RSD	1,905.00	1800-B82245RSD	1,905.00	1800-B82268RSD	3,030.00
VM0210	1800-B76631RSD	2,169.00	1800-B82246RSD	2,169.00	1800-B82269RSD	3,420.00
VM0212	1800-B76632RSD	2,432.00	1800-B82247RSD	2,432.00	1800-B82270RSD	3,820.00
VM0214	1800-B76633RSD	2,690.00	1800-B82248RSD	2,690.00	1800-B82271RSD	4,210.00
VM0216	1800-B76634RSD	2,960.00	1800-B82249RSD	2,960.00	1800-B82272RSD	4,600.00



TACO INC., 1160 Cranston Street, Cranston, RI 02920 Telephone: (401) 942-8000 Fax: (401) 942-2360  
TACO (Canada), Ltd., 8450 Lawson Road, Milton, Ontario L9T 0J8 Telephone: (905) 564-9422 Fax: (905) 564-9436  
Visit our website at: [www.taco-hvac.com](http://www.taco-hvac.com). Printed in USA. Copyright 2007, TACO, Inc.

# VM PUMPS REPLACEMENT PARTS

Effective Date: February 04, 2013

303-038

Page 3 of 5

## REPLACEMENT PUMP STACKS

Note: Only Design 3 (double-flat shaft) stacks available. They fit Designs 1 and 2 also. Design 3 seals are required.

Pump Model	VM04BB - CI Volute		VM04EB - 304SS Volute		VM04DB - All 316SS	
	Part Number	List Price	Part Number	List Price	Part Number	List Price
VM0401	1800-B76635RSD	1,675.00	1800-B82187RSD	1,675.00	1800-B82207RSD	2,570.00
VM0402	1800-B76636RSD	1,871.00	1800-B82188RSD	1,871.00	1800-B82208RSD	2,840.00
VM0403	1800-B76637RSD	2,069.00	1800-B82189RSD	2,069.00	1800-B82209RSD	3,110.00
VM0404	1800-B76638RSD	2,263.00	1800-B82190RSD	2,263.00	1800-B82210RSD	3,380.00
VM0405	1800-B76639RSD	2,459.00	1800-B82191RSD	2,459.00	1800-B82211RSD	3,650.00
VM0406	1800-B76640RSD	2,660.00	1800-B82192RSD	2,660.00	1800-B82212RSD	3,920.00
VM0408	1800-B76641RSD	3,050.00	1800-B82193RSD	3,050.00	1800-B82213RSD	4,460.00
VM0410	1800-B76642RSD	3,440.00	1800-B82194RSD	3,440.00	1800-B82214RSD	5,000.00
VM0412	1800-B76643RSD	3,840.00	1800-B82195RSD	3,840.00	1800-B82215RSD	5,540.00
VM0414	1800-B76644RSD	4,230.00	1800-B82196RSD	4,230.00	1800-B82216RSD	6,080.00
VM0416	1800-B85363RSD	4,430.00	1800-B85378RSD	4,430.00	1800-B85393RSD	6,350.00

Pump Model	VM06BB - CI Volute		VM06EB - 304SS Volute		VM06DB - All 316SS	
	Part Number	List Price	Part Number	List Price	Part Number	List Price
VM0602	1800-B76645RSD	1,119.00	1800-B82198RSD	2,471.00	1800-B82218RSD	4,090.00
VM0603	1800-B76646RSD	1,253.00	1800-B82199RSD	2,750.00	1800-B82219RSD	4,590.00
VM0604	1800-B76647RSD	1,381.00	1800-B82200RSD	3,040.00	1800-B82220RSD	5,090.00
VM0605	1800-B76648RSD	1,514.00	1800-B82201RSD	3,330.00	1800-B82221RSD	5,590.00
VM0606	1800-B76649RSD	1,643.00	1800-B82202RSD	3,620.00	1800-B82222RSD	6,080.00
VM0607	1800-B76650RSD	1,776.00	1800-B82203RSD	3,900.00	1800-B82223RSD	6,580.00
VM0608	1800-B76651RSD	1,905.00	1800-B82204RSD	4,190.00	1800-B82224RSD	7,080.00
VM0610	1800-B76652RSD	2,169.00	1800-B82205RSD	4,760.00	1800-B82225RSD	8,070.00
VM0612	1800-B76653RSD	2,432.00	1800-B82206RSD	5,340.00	1800-B82226RSD	9,070.00



TACO INC., 1160 Cranston Street, Cranston, RI 02920 Telephone: (401) 942-8000 Fax: (401) 942-2360  
TACO (Canada), Ltd., 8450 Lawson Road, Milton, Ontario L9T 0J8 Telephone: (905) 564-9422 Fax: (905) 564-9436  
Visit our website at: [www.taco-hvac.com](http://www.taco-hvac.com). Printed in USA. Copyright 2007, TACO, Inc.

# VM PUMPS REPLACEMENT PARTS

Effective Date: February 04, 2013

303-038

Page 4 of 5

## REPLACEMENT MOTORS

### 1 Phase ODP

VM SERIES					115/208-230/1 ODP	208-230/1 ODP	List Price (\$)
VM01	VM02	VM04	VM06	HP			
X	X	X	-	3	1800-M11602	-	2,910.00
X	X	X	X	5	-	1800-M12148	4,240.00
-	X	-	-	7.5	-	1800-M12150	4,880.00
-	-	X	X	7.5	-	1800-M11604	4,970.00
-	-	X	X	10	-	1800-M11605	6,580.00

### 1 Phase TEFC

BVM SERIES					115/208-230/1 TEFC	208-230/1 TEFC	List Price (\$)
VM01	VM02	VM04	VM06	HP			
X	X	-	-	0.50	1800-M11606	-	1,087.00
X	X	X	-	0.75	1800-M11607	-	1,288.00
X	X	-	-	1	1800-M11608	-	1,699.00
X	X	X	-	1.5	1800-M11609	-	1,796.00
X	X	-	-	2	1800-M11610	-	2,037.00
X	X	X	-	3	1800-M11611	-	3,430.00
X	X	X	X	5	-	1800-M12149	6,310.00
-	X	-	-	7.5	-	1800-M12152	6,910.00
-	-	X	X	7.5	-	1800-M11613	6,910.00
-	-	X	X	10	-	1800-M11614	9,150.00

### 3 Phase ODP

BVM SERIES					208-230/460/3 ODP	List Price (\$)
VM01	VM02	VM04	VM06	HP		
X	X	X	X	5	1800-M11621	2,208.00
-	X	-	-	7.5	1800-M12151	2,730.00
-	-	X	X	7.5	1800-M11622	2,730.00
-	-	X	X	10	1800-M11623	3,420.00
-	-	X	X	15	1800-M11624	3,960.00
-	-	-	X	20	1800-M11625	5,750.00
-	-	-	X	25	1800-M11627	6,480.00



TACO INC., 1160 Cranston Street, Cranston, RI 02920 Telephone: (401) 942-8000 Fax: (401) 942-2360  
 TACO (Canada), Ltd., 8450 Lawson Road, Milton, Ontario L9T 0J8 Telephone: (905) 564-9422 Fax: (905) 564-9436  
 Visit our website at: [www.taco-hvac.com](http://www.taco-hvac.com). Printed in USA. Copyright 2007, TACO, Inc.

# VM PUMPS REPLACEMENT PARTS

Effective Date: February 04, 2013

303-038

Page 5 of 5

## REPLACEMENT MOTORS

### 3 PHASE TEFC

VM SERIES					208-230/460/3 TEFC	List Price (\$)	208-230/460/3 TEFC PREMIUM	List Price (\$)
VM01	VM02	VM04	VM06	HP				
X	X	-	-	0.5	-	-	1800-M14581	1,669.00
X	X	X	-	0.75	-	-	1800-M14582	1,763.00
X	X	-	-	1	-	-	1800-M14583	2,051.00
X	X	X	-	1.5	-	-	1800-M14584	2,414.00
X	X	-	-	2	-	-	1800-M14585	2,770.00
X	X	X	-	3	-	-	1800-M14586	2,690.00
X	X	X	X	5	1800-M11635	2,630.00	1800-M14587	3,610.00
-	X	-	-	7.5	1800-M12153	3,130.00	1800-M14588	6,380.00
-	-	X	X	7.5	1800-M11636	3,130.00	1800-M14596	5,240.00
-	-	X	X	10	1800-M11637	3,760.00	1800-M14589	5,220.00
-	-	X	X	15	1800-M11638	7,170.00	1800-M14590	14,920.00
-	-	-	X	20	1800-M11639	7,970.00	1800-M14591	14,800.00
-	-	-	X	25	1800-M11641	8,450.00	1800-M14592	14,730.00



TACO INC., 1160 Cranston Street, Cranston, RI 02920 Telephone: (401) 942-8000 Fax: (401) 942-2360  
 TACO (Canada), Ltd., 8450 Lawson Road, Milton, Ontario L9T 0J8 Telephone: (905) 564-9422 Fax: (905) 564-9436  
 Visit our website at: [www.taco-hvac.com](http://www.taco-hvac.com). Printed in USA. Copyright 2007, TACO, Inc.



# Suggested List Prices

303-041  
PAGE 1 OF 6

# KV Series Pumps - ODP Motors

Supersedes: May 30, 2011

Updated: December 9, 2013

Effective: February 04, 2013

**Please Note: AEGIS Pricing has been changed!**

**STANDARD SPECIFICATIONS:**

CAST IRON CASING,  
BRONZE IMPELLER,  
BRONZE SHAFT  
SLEEVE, CERAMIC  
MECHANICAL SEAL,  
BALL BEARING JM  
FRAME MOTOR.

MAX HP on KV pumps is 60 HP.

Prices based on "factory choice" motors. Other motors subject to additional charges.

All prices subject to change without notice.

**1800 & 3600 RPM**

- 1) ½ HP through 10 HP, STANDARD EFFICIENCY, are 208-230/460/60/3 ODP motors. 15 HP through 60 HP, STANDARD EFFICIENCY, are 230/460/60/3 ODP motors. For all three phase motors: 1.0 SF @ 208V, 1.15 SF @ 230/460V.
- 2) ½ HP through 3 HP are 115/208-230/60/1 ODP motors. Consult factory for availability on all single phase motors. Single phase motors are not available in premium efficiency. Consult factory on 200/60/1 motor pricing.
- 3) ½ HP through 60 HP, PREMIUM EFFICIENCY, are 230/460/60/3 ODP motors. For all premium efficient motors: 1.15 SF @ 230/460V. Consult factory for availability on all premium efficient motors. For all PREMIUM EFFICIENT, 200/60/3 motors, see last page of price sheet for pricing.

►AEGIS Shaft Grounding Ring Option Prices - Note: Only available on Premium 3-Phase motors. AEGIS list adder is in addition to Premium Efficiency list adder.

\* See page 6 for AEGIS SGR Warranty Information.

1800 RPM				LIST ADDITIONS (\$)		
Model No.	Motor H.P.	List Price(\$) Three Phase(1)	Approx. Wt./Lbs.	Single Phase (2)	Premium Efficiency (3)	► *AEGIS SGR
KV 1506	1	3,060.00	95	188.00	159.50	849.00
	1.5	3,110.00	98	421.50	205.50	849.00
KV 1507	1	3,020.00	103	188.00	159.50	849.00
	1.5	3,060.00	106	421.50	205.50	849.00
KV 1509	2	3,080.00	109	563.00	254.00	849.00
	1.5	3,390.00	138	421.50	205.50	849.00
	2	3,480.00	144	563.00	254.00	849.00
KV 1509	3	3,650.00	167	778.00	282.00	898.00
	5	3,930.00	184	N/A	320.00	898.00
KV 2006	1	3,480.00	110	188.00	159.50	849.00
	1.5	3,540.00	113	421.50	205.50	849.00
KV 2007	1	3,550.00	114	188.00	159.50	849.00
	1.5	3,650.00	117	421.50	205.50	849.00
	2	3,720.00	120	563.00	254.00	849.00
KV 2009	3	3,790.00	131	778.00	282.00	898.00
	2	4,100.00	138	563.00	254.00	849.00
	3	4,250.00	149	778.00	282.00	898.00
KV 2009	5	4,460.00	169	N/A	320.00	898.00
	7.5	5,390.00	199	N/A	393.00	982.00
KV 2011	3	4,470.00	182	778.00	282.00	898.00
	5	4,680.00	202	N/A	320.00	898.00
	7.5	5,700.00	238	N/A	393.00	982.00
KV 2011	10	5,930.00	246	N/A	441.00	982.00
	3	4,440.00	161	778.00	282.00	898.00
	5	4,720.00	183	N/A	320.00	898.00
KV 2508	7.5	5,760.00	229	N/A	393.00	982.00
	10	6,100.00	241	N/A	441.00	982.00
KV 2510	5	4,860.00	201	N/A	320.00	898.00
	7.5	5,870.00	243		393.00	982.00
	10	6,080.00	261		441.00	982.00
	15	6,660.00	319		703.00	1,149.00
KV 2510	20	7,230.00	374	836.00	1,149.00	
	1	4,100.00	167	188.00	159.50	849.00
KV 3006	1.5	4,140.00	170	421.50	205.50	849.00
	2	4,160.00	173	563.00	254.00	849.00
KV 3007	2	4,220.00	144	563.00	254.00	849.00
	3	4,430.00	155	778.00	282.00	898.00
	5	4,600.00	175	N/A	320.00	898.00
KV 3007	7.5	5,530.00	219	N/A	393.00	982.00
	2	4,690.00	162	563.00	254.00	849.00
KV 3009	3	4,890.00	173	778.00	282.00	898.00
	5	5,120.00	193	N/A	320.00	898.00
	7.5	6,030.00	229	N/A	393.00	982.00
KV 3011	5	4,970.00	247	N/A	320.00	898.00
	7.5	6,240.00	277		393.00	982.00
	10	6,460.00	285		441.00	982.00
	15	6,840.00	353		703.00	1,149.00

# KV Series Pumps – ODP Motors

Effective Date: February 04, 2013

303-041

PAGE 2 of 6

1800 RPM (CONT.)				LIST ADDITIONS (\$)		
Model No.	Motor H.P.	List Price (\$) Three Phase (1)	Approx. Wt./Lbs.	Single Phase (2)	Premium Efficiency (3)	*AEGIS SGR
KV 3013	7.5	9,390.00	341	N/A	393.00	982.00
	10	9,740.00	349		441.00	982.00
	15	10,450.00	407		703.00	1,149.00
	20	11,060.00	462		836.00	1,149.00
	25	11,880.00	568		919.00	1,391.00
KV 4007	2	5,020.00	178	563.00	254.00	849.00
	3	5,220.00	189	778.00	282.00	898.00
	5	5,430.00	209	N/A	320.00	898.00
	7.5	5,930.00	250	N/A	393.00	982.00
KV 4075	3	5,360.00	193	778.00	282.00	898.00
	5	5,480.00	213	N/A	320.00	898.00
	7.5	6,100.00	253	N/A	393.00	982.00
KV 4009	3	5,410.00	210	778.00	282.00	898.00
	5	5,640.00	230	N/A	320.00	898.00
	7.5	6,740.00	266	N/A	393.00	982.00
	10	6,930.00	274	N/A	441.00	982.00
	15	6,980.00	327	N/A	703.00	1,149.00
KV 4011	7.5	8,360.00	335	N/A	393.00	982.00
	10	8,510.00	343		441.00	982.00
	15	8,610.00	395		703.00	1,149.00
	20	9,590.00	450		836.00	1,149.00
	25	11,110.00	580		919.00	1,391.00
KV 4013	7.5	11,290.00	374	N/A	393.00	982.00
	10	11,630.00	382		441.00	982.00
	15	12,330.00	434		703.00	1,149.00
	20	12,910.00	489		836.00	1,149.00
	25	13,770.00	610		919.00	1,391.00
	30	13,970.00	641		966.00	1,391.00
KV 5007	3	6,210.00	248	778.00	282.00	898.00
	5	6,420.00	268	N/A	320.00	898.00
	7.5	7,760.00	304	N/A	393.00	982.00
	10	8,020.00	312	N/A	441.00	982.00
KV 5075	3	6,600.00	251	778.00	282.00	898.00
	5	6,760.00	273	N/A	320.00	898.00
	7.5	8,050.00	309	N/A	393.00	982.00
	10	8,290.00	319	N/A	441.00	982.00
KV 5095	10	8,390.00	359	N/A	441.00	982.00
	15	9,080.00	407		703.00	1,149.00
	20	9,710.00	458		836.00	1,149.00
	25	10,570.00	501		919.00	1,391.00
KV 6009	7.5	9,870.00	364	N/A	393.00	982.00
	10	10,220.00	372		441.00	982.00
	15	10,900.00	431		703.00	1,149.00
	20	11,530.00	486		836.00	1,149.00
	25	12,380.00	592		919.00	1,391.00
KV 6011	15	12,160.00	482	N/A	703.00	1,149.00
	20	12,730.00	537		836.00	1,149.00
	25	13,600.00	658		919.00	1,391.00
	30	13,800.00	689		966.00	1,391.00
	40	14,850.00	807		1,175.00	1,387.00
	50	15,860.00	899		1,894.00	1,387.00

**Please Note: AEGIS Pricing has been changed!**

►AEGIS Shaft Grounding Ring Option Prices - Note: Only available on Premium 3-Phase motors. AEGIS list adder is in addition to Premium Efficiency list adder.

\* See page 6 for AEGIS SGR Warranty Information.

# KV Series Pumps – ODP Motors

Effective Date: February 04, 2013

303-041

PAGE 3 of 6

1800 RPM (CONT.)				LIST ADDITIONS (\$)		
Model No.	Motor H.P.	List Price (\$) Three Phase (1)	Approx. Wt./Lbs.	Single Phase (2)	Premium Efficiency (3)	*AEGIS SGR
KV 6013	15	15,150.00	552	N/A	703.00	1,149.00
	20	15,750.00	607		836.00	1,149.00
	25	16,600.00	728		919.00	1,391.00
	30	16,800.00	759		966.00	1,391.00
	40	17,860.00	863		1,175.00	1,387.00
	50	18,900.00	866		1,894.00	1,387.00
	60	20,440.00	955		2,770.00	2,356.00
KV 8011	20	16,240.00	682	N/A	836.00	1,149.00
	25	17,080.00	682		919.00	1,391.00
	30	17,280.00	788		966.00	1,391.00
	40	18,360.00	843		1,175.00	1,387.00
	50	19,380.00	947		1,894.00	1,387.00
KV 8013	25	18,360.00	965	N/A	919.00	1,391.00
	30	18,560.00	996		966.00	1,391.00
	40	19,610.00	1020		1,175.00	1,387.00
	50	20,640.00	1100		1,894.00	1,387.00
	60	22,190.00	1250		2,770.00	2,356.00

**Please Note: AEGIS Pricing has been changed!**

►AEGIS Shaft Grounding Ring Option Prices - Note: Only available on Premium 3-Phase motors. AEGIS list adder is in addition to Premium Efficiency list adder.

\* See page 6 for AEGIS SGR Warranty Information.

3600 RPM				LIST ADDITIONS (\$)		
Model No.	Motor H.P.	List Price (\$) Three Phase (4)	Approx. Wt./Lbs.	Premium Efficiency (5)	*AEGIS SGR	
KV 1506	2	3,290.00	99	254.00	849.00	
	3	3,310.00	106	299.50	849.00	
	5	3,540.00	133	348.00	898.00	
	7.5	3,730.00	137	413.50	898.00	
	10	4,170.00	178	487.00	982.00	
KV 1507	5	3,480.00	141	348.00	898.00	
	7.5	3,830.00	145	413.50	898.00	
	10	4,080.00	184	487.00	982.00	
	15	4,470.00	194	742.00	982.00	
KV 1509	7.5	3,830.00	189	413.50	898.00	
	10	4,220.00	230	487.00	982.00	
	15	4,680.00	242	742.00	982.00	
	20	5,510.00	277	863.00	1,149.00	
	25	6,190.00	337	955.00	1,149.00	
	30	7,610.00	418	995.00	1,391.00	
	40	10,480.00	473	1,201.00	1,391.00	
KV 2006	3	3,760.00	114	299.50	849.00	
	5	3,980.00	121	348.00	898.00	
	7.5	4,200.00	148	413.50	898.00	
	10	4,640.00	152	487.00	982.00	
KV 2007	7.5	4,410.00	156	413.50	898.00	
	10	4,620.00	195	487.00	982.00	
	15	5,190.00	205	742.00	982.00	
	20	6,950.00	294	863.00	1,149.00	
	25	7,660.00	306	955.00	1,149.00	
KV 2009	10	5,140.00	208	487.00	982.00	
	15	5,580.00	224	742.00	982.00	
	20	6,280.00	318	863.00	1,149.00	
	25	6,780.00	325	955.00	1,149.00	
	30	7,750.00	422	995.00	1,391.00	
	40	8,820.00	462	1,201.00	1,391.00	

# KV Series Pumps – ODP Motors

**Effective Date:** February 04, 2013

303-041

PAGE 4 of 6

3600 RPM (CONT.)				LIST ADDITIONS (\$)	
Model No.	Motor H.P.	List Price (\$) Three Phase (4)	Approx. Wt./Lbs.	Premium Efficiency (5)	*AEGIS SGR
KV 2508	30	8,990.00	431	995.00	1,391.00
	40	11,890.00	473	1,201.00	1,391.00
	50	13,890.00	541	1,966.00	1,387.00
	60	17,050.00	605	2,860.00	1,387.00
KV 3006	5	4,580.00	205	348.00	898.00
	7.5	4,770.00	209	413.50	898.00
	10	5,220.00	250	487.00	982.00
	15	5,700.00	260	742.00	982.00
KV 3007	10	5,160.00	214	487.00	982.00
	15	5,470.00	224	742.00	982.00
	20	7,070.00	326	863.00	1,149.00
	25	7,650.00	333	955.00	1,149.00
	30	8,730.00	436	995.00	1,391.00
	40	10,040.00	473	1,201.00	1,391.00
KV 3009	15	6,210.00	242	742.00	982.00
	20	6,970.00	347	863.00	1,149.00
	25	7,520.00	354	955.00	1,149.00
	30	8,460.00	470	995.00	1,391.00
	40	9,590.00	510	1,201.00	1,391.00
	50	11,860.00	578	1,966.00	1,387.00
KV 4007	10	6,180.00	253	487.00	982.00
	15	6,640.00	263	742.00	982.00
	20	7,390.00	360	863.00	1,149.00
	25	8,000.00	367	955.00	1,149.00
	30	8,940.00	484	995.00	1,391.00
	40	10,110.00	524	1,201.00	1,391.00
	50	12,420.00	592	1,966.00	1,387.00
KV 4075	30	9,060.00	485	995.00	1,391.00
	40	10,200.00	527	1,201.00	1,391.00
	50	12,600.00	593	1,966.00	1,387.00
	60	15,820.00	671	2,860.00	1,387.00
KV 4009	25	8,160.00	445	955.00	1,149.00
	30	9,180.00	500	995.00	1,391.00
	40	10,330.00	555	1,201.00	1,391.00
	50	12,710.00	595	1,966.00	1,387.00
KV 5007	20	8,680.00	416	863.00	1,149.00
	25	9,390.00	423	955.00	1,149.00
	30	10,550.00	523	995.00	1,391.00
	40	11,890.00	563	1,201.00	1,391.00
	50	14,640.00	631	1,966.00	1,387.00
	60	18,310.00	704	2,860.00	1,387.00
KV 5075	25	9,740.00	425	955.00	1,149.00
	30	10,890.00	525	995.00	1,391.00
	40	12,260.00	567	1,201.00	1,391.00
	50	14,980.00	633	1,966.00	1,387.00
	60	18,660.00	707	2,860.00	1,387.00

**Please Note: AEGIS Pricing has been changed!**

4) 1½ HP through 15 HP, STANDARD EFFICIENCY, are 208-230/460/60/3 ODP motors. 20 HP through 60 HP, STANDARD EFFICIENCY, are 230/460/60/3 ODP motors. For all three phase motors: 1.0 SF @ 208V, 1.15 SF @ 230/460V.

5) ½ HP through 60 HP, PREMIUM EFFICIENCY, are 230/460/60/3 ODP motors. For all three phase motors: 1.15 SF @ 230/460V. See last page of price sheet for 200/60/3 motor pricing.

► **AEGIS Shaft Grounding Ring Option Prices - Note: Only available on Premium 3-Phase motors. AEGIS list adder is in addition to Premium Efficiency list adder.**

\* See page 6 for AEGIS SGR Warranty Information.



# KV Series Pumps – ODP Motors

**Effective Date:** February 04, 2013

303-041

PAGE 5 of 6

**Please Note: AEGIS Pricing has been changed!**

1200 RPM				
Model No.	Motor H.P.	Premium Efficiency List Price (\$) Three Phase (6)	Approx. Wt./Lbs.	*AEGIS SGR
KV 1507	1	3,790.00	100	849.00
KV 1509	1	4,040.00	147	849.00
	1.5	4,280.00	171	898.00
KV 2007	1	4,300.00	111	849.00
	1.5	4,490.00	126	898.00
KV 2009	1	4,830.00	129	849.00
	1.5	5,090.00	144	898.00
KV 2011	1	5,040.00	162	849.00
	1.5	5,250.00	177	898.00
	2	5,410.00	187	898.00
	3	5,500.00	217	982.00
KV 2508	1	4,940.00	131	849.00
	1.5	5,170.00	146	898.00
	2	5,340.00	157	898.00
	3	5,500.00	187	982.00
KV 2510	2	5,450.00	169	898.00
	3	5,540.00	203	982.00
	5	5,900.00	217	982.00
	7.5	6,310.00	266	982.00
KV 3007	1	4,880.00	135	849.00
	1.5	5,120.00	150	898.00
KV 3009	1	5,420.00	153	849.00
	1.5	5,690.00	168	898.00
	2	5,790.00	178	898.00
KV 3011	1.5	5,720.00	222	898.00
	2	5,890.00	232	898.00
	3	5,960.00	256	982.00
	5	6,310.00	266	982.00
KV 3013	2	9,540.00	283	898.00
	3	9,650.00	320	982.00
	5	10,000.00	330	982.00
	7.5	10,850.00	395	1,149.00
KV 4007	1	5,820.00	169	849.00
	1.5	6,050.00	184	898.00
	2	6,190.00	194	898.00
KV 4075	1	5,870.00	171	849.00
	1.5	6,140.00	186	898.00
	2	6,260.00	197	898.00
	3	6,340.00	217	982.00

1200 RPM (CONT.)				
Model No.	Motor H.P.	Premium Efficiency List Price (\$) Three Phase (6)	Approx. Wt./Lbs.	*AEGIS SGR
KV 4009	1	5,900.00	190	849.00
	1.5	6,190.00	205	898.00
	2	6,290.00	215	898.00
	3	6,380.00	245	982.00
	5	6,820.00	255	982.00
KV 4011	2	8,470.00	284	898.00
	3	8,600.00	314	982.00
	5	9,070.00	324	982.00
	7.5	10,280.00	383	1,149.00
KV 4013	2	11,430.00	323	898.00
	3	11,520.00	353	982.00
	5	11,940.00	363	982.00
	7.5	12,730.00	422	1,149.00
KV 5007	10	13,810.00	432	1,149.00
	1	6,900.00	228	849.00
	1.5	7,220.00	243	898.00
	2	7,310.00	253	898.00
KV 5075	3	7,440.00	283	982.00
	1	7,230.00	229	849.00
	1.5	7,540.00	245	898.00
	2	7,640.00	255	898.00
KV 5095	3	7,780.00	287	982.00
	5	9,070.00	293	982.00
	7.5	9,570.00	309	982.00
KV 6009	7.5	10,460.00	361	1,149.00
	2	10,030.00	307	898.00
	3	10,140.00	343	982.00
	5	10,500.00	353	982.00
KV 6011	7.5	11,320.00	419	1,149.00
	3	11,360.00	410	982.00
	5	11,720.00	420	982.00
	7.5	12,560.00	485	1,149.00
KV 6013	10	13,640.00	495	1,149.00
	5	14,760.00	490	982.00
	7.5	15,540.00	540	1,149.00
	10	16,650.00	550	1,149.00
	15	17,830.00	710	1,391.00
KV 8011	20	19,170.00	769	1,391.00
	7.5	16,060.00	615	1,149.00
	10	17,130.00	625	1,149.00
	15	18,300.00	784	1,391.00
KV 8013	10	19,100.00	787	1,149.00
	15	20,490.00	947	1,391.00
	20	21,990.00	1006	1,391.00
	25	22,620.00	1072	1,387.00

6) PREMIUM EFFICIENCY motors are 230/460/60/3 usable at 208, TEFC motors. Consult factory for availability on all premium efficient motors.

►AEGIS Shaft Grounding Ring Option Prices - Note: Only available on Premium 3-Phase motors. AEGIS list adder is in addition to Premium Efficiency list adder.

\* See page 6 for AEGIS SGR Warranty Information.

# KV Series Pumps – ODP Motors

**Effective Date:** February 04, 2013

303-041

PAGE 6 of 6

Motor Frame Size (Code)	Stainless Steel Shaft Sleeves	Silicon-Carbide/ EPT Seal	EPT Tungsten Carbide Seal	Stainless Steel Shaft	Certified Test Curves
143-215 (H, J, K)	326.50	325.00	450.50	CONSULT FACTORY	2,118.00
254-256 (L)	366.00	325.00	608.00		2,600.00
284-365 (M, N, R)	450.50	325.00	608.00		2,860.00

### LIST PRICE ADDER FOR 200 VOLT MOTORS

All motors 1 HP through 60 HP are ODP.

Motor	HP	ADDER	
		Standard Efficiency	Premium Efficiency
1200 RPM	ALL	N/A	NONE
1800 RPM	1 THROUGH 20		NONE
	25 THROUGH 60		NONE
3600 RPM	1 THROUGH 20		NONE
	25 THROUGH 60		NONE

### OPTIONS

FLANGE SIZE	250lb. WORKING PRESSURE	WEAR RINGS
1.5" - 2.5"	827.00	563.00
3" - 5"	1,276.00	654.00
6" - 10"	1,501.00	889.00

### LIST PRICE ADDER FOR SUPPORT STAND

PUMP MODEL	PART NUMBER	LIST PRICE	SUPPORT STAND WEIGHT
KV1506	953-3907	287.50	10 LBS
KV1507	953-4062	287.50	10 LBS
KV1509	953-4062	287.50	10 LBS
KV2006	953-3986	386.00	19 LBS
KV2007	953-4063	386.00	19 LBS
KV2009	953-3986	386.00	19 LBS
KV2011	953-3985	386.00	19 LBS
KV2508	953-4064	386.00	19 LBS
KV2510	953-3967	476.50	26 LBS
KV3006	953-4066	476.50	26 LBS
KV3007	953-4063	386.00	19 LBS
KV3009	953-3983	476.50	26 LBS
KV3011	953-4065	476.50	26 LBS
KV3013	953-3973	774.00	47 LBS
KV4007	953-3966	386.00	19 LBS
KV4009	953-3974	774.00	47 LBS
KV4011	953-3976	774.00	47 LBS
KV4013	953-4067	774.00	47 LBS
KV4075	953-3967	476.50	26 LBS
KV5007	953-4068	964.00	66 LBS
KV5075	953-4068	964.00	66 LBS
KV5095	953-4068	964.00	66 LBS
KV6009	953-3968	964.00	66 LBS
KV6011	953-3988	964.00	66 LBS
KV6013	953-4069	964.00	66 LBS
KV8011	953-3991	1,286.00	100 LBS
KV8013	953-4070	1,286.00	100 LBS

\* Baldor Electric Company's warranty covers manufacturing defects of their motors. Performance of the AEGIS™ shaft grounding ring is covered by the following warranty from Electro Static Technology. Electro Static Technology guarantees any new motor up to 100 HP will not fail from electrical bearing fluting damage for the expected normal bearing life of the original motor bearings when the AEGIS™ SGR Bearing Protection ring is installed. If electrically induced fluting damage occurs, Electro Static Technology will replace motor bearings.

**Guarantee is subject to the terms and conditions of the AEGIS™ SGR Guarantee Program:**

1. Electrically induced fluting damage must be verified by EST or an authorized entity to qualify for bearing replacement. EST shall not be liable for greater than 35% of the original cost of the motor or the Vaughen's National Average Price to furnish and install two (2) standard ball bearings.

2. To qualify for the AEGIS™ SGR Bearing Protection Ring performance guarantee, all motors with AEGIS™ SGR Bearing Protection Ring install must be registered within 30 days of placing the new motor into service. Proof of purchase is required. Register online to qualify for this performance guarantee. <http://www.west-aegis.com/registerform.cfm>

**Do it Once. Do it Right.™**

TACO INC., 1160 Cranston Street, Cranston, RI 02920 Telephone: (401) 942-8000 Fax: (401) 942-2360  
 TACO (Canada), Ltd., 8450 Lawson Road, Milton, Ontario L9T 0J8 Telephone: (905) 564-9422 Fax: (905) 564-9436  
 Visit our website at: [www.taco-hvac.com](http://www.taco-hvac.com)

Printed in USA

Copyright 2006

TACO, Inc.



# Suggested List Prices

# KV Series Pumps - TEFC Motors

Supersedes: May 30, 2011

Updated: December 9, 2013

Effective: February 04, 2013

1800 RPM				LIST ADDITIONS (\$)		
Model No.	Motor H.P.	List Price (\$) Three Phase (1)	Approx. Wt./Lbs.	Single Phase (2)	Premium Efficiency (3)	* AEGIS SGR
KV 1506	1	3,110.00	97	326.50	450.50	849.00
	1.5	3,200.00	100	608.00	487.00	849.00
KV 1507	1	3,080.00	105	326.50	450.50	849.00
	1.5	3,140.00	108	608.00	487.00	849.00
	2	3,190.00	115	798.00	522.00	849.00
KV 1509	1.5	3,460.00	145	608.00	487.00	849.00
	2	3,540.00	150	798.00	522.00	849.00
	3	3,640.00	167	955.00	581.00	898.00
	5	3,990.00	190	N/A	703.00	898.00
KV 2006	1	3,540.00	112	326.50	450.50	849.00
	1.5	3,610.00	115	608.00	487.00	849.00
KV 2007	1	3,610.00	116	326.50	450.50	849.00
	1.5	3,760.00	119	608.00	487.00	849.00
	2	3,830.00	126	798.00	522.00	849.00
	3	3,930.00	131	955.00	581.00	898.00
KV 2009	2	4,220.00	144	798.00	522.00	849.00
	3	4,410.00	149	955.00	581.00	898.00
	5	4,670.00	178	N/A	703.00	898.00
	7.5	5,870.00	205	N/A	1,069.00	982.00
KV 2011	3	4,640.00	182	820.00	581.00	898.00
	5	4,890.00	211	N/A	703.00	898.00
	7.5	5,980.00	259	N/A	1,069.00	982.00
	10	6,280.00	280	N/A	1,201.00	982.00
KV 2508	3	4,610.00	163	955.00	581.00	898.00
	5	4,920.00	192	N/A	703.00	898.00
	7.5	6,080.00	232	N/A	1,069.00	982.00
	10	6,430.00	263	N/A	1,201.00	982.00
KV 2510	5	5,150.00	203	N/A	703.00	898.00
	7.5	6,180.00	243	N/A	1,069.00	982.00
	10	6,500.00	273	N/A	1,201.00	982.00
	15	7,280.00	304	N/A	1,649.00	1,149.00
	20	8,020.00	364	N/A	1,940.00	1,149.00
KV 3006	1	4,160.00	169	326.50	450.50	849.00
	1.5	4,220.00	172	608.00	487.00	849.00
	2	4,270.00	179	798.00	522.00	849.00
KV 3007	2	4,360.00	150	798.00	522.00	849.00
	3	4,600.00	155	955.00	581.00	898.00
	5	5,350.00	184	N/A	703.00	898.00
	7.5	6,320.00	225	N/A	1,069.00	982.00
	10	6,320.00	225	N/A	1,069.00	982.00
KV 3009	2	4,850.00	168	798.00	522.00	849.00
	3	5,020.00	173	955.00	581.00	898.00
	5	5,410.00	202	N/A	703.00	898.00
	7.5	6,380.00	250	N/A	1,069.00	982.00

**Please Note: AEGIS Pricing has been changed!**

**STANDARD SPECIFICATIONS:**  
CAST IRON CASING,  
BRONZE IMPELLER,  
BRONZE SHAFT  
SLEEVE, CERAMIC  
MECHANICAL SEAL,  
BALL BEARING JM  
FRAME MOTOR.

MAX HP on KV pumps is 60 HP.

Prices based on "factory choice" motors.  
Other motors subject to additional charges.

All prices subject to change without notice.

- 1) ¼ HP through 10 HP, STANDARD EFFICIENCY, are 208-230/460/60/3 TEFC motors. 15 HP through 60 HP, STANDARD EFFICIENCY, are 230/460/60/3 TEFC motors. For all three phase motors: 1.0 SF @ 208V, 1.15 SF @ 230/460V. See last page of price sheet for 200/60/3 motor prices.
- 2) ½ HP through 3 HP are 115/208-230/60/1 TEFC motors. Consult factory for availability on all single phase motors. Single phase motors are not available in premium efficiency. Consult factory on 200/60/1 motor pricing.
- 3) ½ HP through 60 HP, PREMIUM EFFICIENCY, are 230/460/60/3 TEFC motors. For all premium efficient motors: 1.15 SF @ 230/460V. Consult factory for availability on all premium efficient motors. For all PREMIUM EFFICIENT, 200/60/3 motors, see last page of price sheet for pricing.

►AEGIS Shaft Grounding Ring Option Prices  
- Note: Only available on Premium 3-Phase motors. AEGIS list adder is in addition to Premium Efficiency list adder.

\* See page 7 for AEGIS SGR Warranty Information.

# KV Series Pumps – TEFC Motors

**Effective Date:** February 04, 2013

303-042

PAGE 2 of 7

1800 RPM (con't)				LIST ADDITIONS (\$)		
Model No.	Motor H.P.	List Price (\$) Three Phase (1)	Approx. Wt./Lbs.	Single Phase (2)	Premium Efficiency (3)	* AEGIS SGR
KV 3011	5	5,210.00	256	N/A	703.00	898.00
	7.5	6,500.00	298		1,069.00	982.00
	10	6,830.00	319		1,201.00	982.00
	15	7,570.00	440		1,649.00	1,149.00
KV 3013	7.5	9,430.00	362	N/A	1,069.00	982.00
	10	9,870.00	383		1,201.00	982.00
	15	10,720.00	494		1,649.00	1,149.00
	20	11,440.00	525		1,940.00	1,149.00
	25	12,300.00	617		2,018.00	1,391.00
KV 4007	2	5,170.00	184	798.00	522.00	849.00
	3	5,390.00	189	955.00	581.00	898.00
	5	5,650.00	218	N/A	703.00	898.00
	7.5	6,210.00	271	N/A	1,069.00	982.00
KV 4075	3	5,470.00	187	955.00	581.00	898.00
	5	5,730.00	191	N/A	703.00	898.00
	7.5	6,400.00	221	N/A	1,069.00	982.00
KV 4009	3	5,600.00	210	955.00	581.00	898.00
	5	5,830.00	239	N/A	703.00	898.00
	7.5	7,030.00	287	N/A	1,069.00	982.00
	10	7,270.00	308	N/A	1,201.00	982.00
	15	7,660.00	414	N/A	1,649.00	1,149.00
KV 4011	7.5	8,620.00	356	N/A	1,069.00	982.00
	10	8,880.00	377		1,201.00	982.00
	15	9,320.00	482		1,649.00	1,149.00
	20	10,550.00	513		1,940.00	1,149.00
	25	12,200.00	629		2,018.00	1,391.00
KV 4013	7.5	11,340.00	395	N/A	1,069.00	982.00
	10	11,780.00	416		1,201.00	982.00
	15	12,600.00	521		1,649.00	1,149.00
	20	13,370.00	552		1,940.00	1,149.00
	25	14,190.00	659		2,018.00	1,391.00
	30	15,010.00	703		2,157.00	1,391.00
KV 5007	3	6,390.00	248	955.00	581.00	898.00
	5	6,650.00	277	N/A	703.00	898.00
	7.5	8,050.00	325	N/A	1,069.00	982.00
	10	8,370.00	346	N/A	1,201.00	982.00
KV 5075	3	6,730.00	251	955.00	581.00	898.00
	5	6,990.00	279	N/A	703.00	898.00
	7.5	8,420.00	327	N/A	1,069.00	982.00
	10	8,730.00	349	N/A	1,201.00	982.00
KV 5095	10	8,690.00	399	N/A	1,201.00	982.00
	15	9,550.00	504		1,649.00	1,149.00
	20	10,410.00	535		1,940.00	1,149.00
	25	11,300.00	642		2,018.00	1,391.00

**Please Note: AEGIS Pricing has been changed!**

► AEGIS Shaft Grounding Ring Option Prices - Note: Only available on Premium 3-Phase motors. AEGIS list adder is in addition to Premium Efficiency list adder.

\* See page 7 for AEGIS SGR Warranty Information.

# KV Series Pumps – TEFC Motors

**Effective Date:** February 04, 2013

303-042

PAGE 3 of 7

1800 RPM (CONT.)				LIST ADDITIONS (\$)		
Model No.	Motor H.P.	List Price Three Phase (1)	Approx. Wt./Lbs.	Single Phase (2)	Premium Efficiency (3)	* AEGIS SGR
KV 6009	7.5	9,940.00	385	N/A	1,069.00	982.00
	10	10,350.00	406		1,201.00	982.00
	15	11,180.00	518		1,649.00	1,149.00
	20	11,900.00	549		1,940.00	1,149.00
	25	12,810.00	641		2,018.00	1,391.00
KV 6011	15	12,420.00	569	N/A	1,649.00	1,149.00
	20	13,170.00	600		1,940.00	1,149.00
	25	14,010.00	707		2,018.00	1,391.00
	30	14,820.00	751		2,157.00	1,391.00
	40	16,730.00	874		2,318.00	1,387.00
	50	18,570.00	909		2,454.00	1,387.00
KV 6013	15	15,420.00	639	N/A	1,649.00	1,149.00
	20	16,180.00	670		1,940.00	1,149.00
	25	17,020.00	777		2,018.00	1,391.00
	30	17,840.00	821		2,157.00	1,391.00
	40	19,740.00	930		2,318.00	1,387.00
	50	21,610.00	965		2,454.00	1,387.00
KV 8011	20	16,650.00	745	N/A	1,940.00	1,149.00
	25	17,510.00	837		2,018.00	1,391.00
	30	18,300.00	905		2,157.00	1,391.00
	40	20,230.00	1014		2,318.00	1,387.00
	50	22,080.00	1049		2,454.00	1,387.00
KV 8013	25	18,780.00	1012	N/A	2,018.00	1,391.00
	30	19,580.00	1058		2,157.00	1,391.00
	40	21,470.00	1167		2,318.00	1,387.00
	50	23,350.00	1202		2,454.00	1,387.00

**Please Note: AEGIS Pricing has been changed!**

► AEGIS Shaft Grounding Ring Option Prices - Note: Only available on Premium 3-Phase motors. AEGIS list adder is in addition to Premium Efficiency list adder.

\* See page 7 for AEGIS SGR Warranty Information.

# KV Series Pumps – TEFC Motors

**Effective Date:** February 04, 2013

303-042

PAGE 4 of 7

3600 RPM				LIST ADDITIONS (\$)	
Model No.	Motor H.P.	List Price (\$) Three Phase (4)	Approx. Wt./Lbs.	Premium Efficiency (5)	▶ AEGIS SGR
KV 1506	2	3,410.00	105	524.00	849.00
	3	3,470.00	116	778.00	898.00
	5	3,730.00	135	930.00	898.00
	7.5	3,990.00	171	1,143.00	982.00
	10	4,470.00	211	1,330.00	982.00
KV 1507	5	3,660.00	143	930.00	898.00
	7.5	3,940.00	179	1,143.00	982.00
	10	4,430.00	206	1,330.00	982.00
	15	NOT AVAILABLE "TEFC"			
KV 1509	7.5	4,110.00	233	1,143.00	982.00
	10	4,270.00	249	1,330.00	982.00
	15	5,140.00	365	1,538.00	1,149.00
	20	6,180.00	375	1,940.00	1,149.00
	25	NOT AVAILABLE "TEFC"			
	30				
	40				
KV 2006	3	3,900.00	131	778.00	898.00
	5	4,200.00	150	930.00	898.00
	7.5	4,470.00	186	1,143.00	982.00
	10	4,950.00	208	1,330.00	982.00
KV 2007	7.5	4,480.00	190	1,143.00	982.00
	10	4,940.00	217	1,330.00	982.00
	15	5,710.00	291	1,538.00	1,149.00
	20	6,650.00	321	1,940.00	1,149.00
	25	NOT AVAILABLE "TEFC"			
KV 2009	10	5,630.00	236	1,330.00	982.00
	15	6,240.00	310	1,538.00	1,149.00
	20	7,260.00	344	1,940.00	1,149.00
	25	7,980.00	384	2,486.00	1,391.00
	30	9,510.00	429	3,120.00	1,391.00
	40	12,710.00	484	4,970.00	1,387.00
KV 2508	30	10,720.00	437	3,120.00	1,391.00
	40	15,750.00	492	4,970.00	1,387.00
	50	18,130.00	552	Consult Factory	1,387.00
	60	NOT AVAILABLE "TEFC"			
KV 3006	5	4,750.00	207	930.00	898.00
	7.5	5,080.00	243	1,143.00	982.00
	10	5,610.00	272	1,330.00	982.00
	15	NOT AVAILABLE "TEFC"			

**Please Note: AEGIS Pricing has been changed!**

- 4) 1½ HP through 15 HP, STANDARD EFFICIENCY, are 208-230/460/60/3 TEFC motors. 20 HP through 60 HP, STANDARD EFFICIENCY, are 230/460/60/3 TEFC motors. For all three phase motors: 1.0 SF @ 208V, 1.15 SF @ 230/460V. See last page of price sheet for 200/60/3 motor pricing.
- 5) ½ HP through 60 HP, PREMIUM EFFICIENCY, are 230/460/60/3 TEFC motors. For all three phase motors: 1.15 SF @ 230/460V. See last page of price sheet for 200/60/3 motor pricing.

▶ AEGIS Shaft Grounding Ring Option Prices - Note: Only available on Premium 3-Phase motors. AEGIS list adder is in addition to Premium Efficiency list adder.

\* See page 7 for AEGIS SGR Warranty Information.

# KV Series Pumps – TEFC Motors

**Effective Date:** February 04, 2013

303-042

PAGE 5 of 7

3600 RPM (CONT.)				LIST ADDITIONS (\$)	
Model No.	Motor H.P.	List Price (\$) Three Phase (4)	Approx. Wt./Lbs.	Premium Efficiency (5)	AEGIS SGR
KV 3007	10	5,370.00	236	1,330.00	982.00
	15	5,800.00	310	1,538.00	1,149.00
	20	7,980.00	348	1,940.00	1,149.00
	25	8,360.00	388	2,486.00	1,391.00
	30	9,420.00	436	3,120.00	1,391.00
	40	12,520.00	491	4,970.00	1,387.00
KV 3009	15	6,950.00	328	1,538.00	1,149.00
	20	7,950.00	369	1,940.00	1,149.00
	25	8,650.00	409	2,486.00	1,391.00
	30	10,240.00	473	3,120.00	1,391.00
	40	13,480.00	428	4,970.00	1,387.00
	50	16,190.00	568	Consult Factory	1,387.00
KV 4007	10	6,500.00	275	1,330.00	982.00
	15	7,000.00	349	1,538.00	1,149.00
	20	8,210.00	382	1,940.00	1,149.00
	25	8,640.00	422	2,486.00	1,391.00
	30	9,690.00	487	3,120.00	1,391.00
	40	12,910.00	542	4,970.00	1,387.00
	50	15,380.00	582	Consult Factory	1,387.00
KV 4075	30	10,000.00	493	3,120.00	1,391.00
	40	13,190.00	545	4,970.00	1,387.00
	50	15,570.00	587	Consult Factory	1,387.00
	60	NOT AVAILABLE "TEFC"			
KV 4009	25	8,760.00	445	2,486.00	1,391.00
	30	10,060.00	500	3,120.00	1,391.00
	40	13,280.00	555	4,970.00	1,387.00
	50	18,700.00	595	Consult Factory	1,387.00
	60	NOT AVAILABLE "TEFC"			
KV 5007	20	9,430.00	438	1,940.00	1,149.00
	25	9,860.00	478	2,486.00	1,391.00
	30	11,140.00	526	3,120.00	1,391.00
	40	14,220.00	581	4,970.00	1,387.00
	50	16,530.00	621	Consult Factory	1,387.00
	60	NOT AVAILABLE "TEFC"			
KV 5075	25	10,230.00	491	2,486.00	1,391.00
	30	11,600.00	529	3,120.00	1,391.00
	40	14,680.00	583	4,970.00	1,387.00
	50	17,020.00	625	Consult Factory	1,387.00
	60	NOT AVAILABLE "TEFC"			

**Please Note: AEGIS Pricing has been changed!**

4) 1½ HP through 15 HP, STANDARD EFFICIENCY, are 208-230/460/60/3 TEFC motors. 20 HP through 60 HP, STANDARD EFFICIENCY, are 230/460/60/3 TEFC motors. For all three phase motors: 1.0 SF @ 208V, 1.15 SF @ 230/460V. See last page of price sheet for 200/60/3 motor pricing.

5) ½ HP through 60 HP, PREMIUM EFFICIENCY, are 230/460/60/3 TEFC motors. For all three phase motors: 1.15 SF @ 230/460V. See last page of price sheet for 200/60/3 motor pricing.

► AEGIS Shaft Grounding Ring Option Prices - Note: Only available on Premium 3-Phase motors. AEGIS list adder is in addition to Premium Efficiency list adder.

\* See page 7 for AEGIS SGR Warranty Information.

# KV Series Pumps – TEFC Motors

**Effective Date:** February 04, 2013

303-042

PAGE 6 of 7

1200 RPM				
Model No.	Motor H.P.	Approx. Wt./Lbs.	Premium Efficiency List Price (\$) Three Phase (6)	*AEGIS SGR
KV 1507	1	105	4,620.00	849.00
KV 1509	1	163	4,880.00	849.00
	1.5	192	5,150.00	898.00
KV 2007	1	116	5,110.00	849.00
	1.5	136	5,360.00	898.00
KV 2009	1	134	5,640.00	849.00
	1.5	154	5,920.00	898.00
KV 2011	1	167	5,840.00	849.00
	1.5	187	6,140.00	898.00
	2	197	6,270.00	898.00
	3	225	6,470.00	982.00
KV 2508	1	143	5,760.00	849.00
	1.5	163	6,050.00	898.00
	2	179	6,240.00	898.00
KV 2510	3	203	6,470.00	982.00
	2	191	6,300.00	898.00
	3	223	6,490.00	982.00
KV 3007	5	251	7,710.00	982.00
	1	140	5,700.00	849.00
	1.5	160	5,940.00	898.00
KV 3009	1	158	6,260.00	849.00
	1.5	178	6,560.00	898.00
	2	188	6,710.00	898.00
KV 3011	1.5	232	6,600.00	898.00
	2	242	6,760.00	898.00
	3	264	6,850.00	982.00
	5	281	8,200.00	982.00
KV 3013	2	293	10,410.00	898.00
	3	328	10,580.00	982.00
	5	345	11,810.00	982.00
	7.5	435	13,050.00	1,149.00
KV 4007	1	174	6,640.00	849.00
	1.5	194	6,920.00	898.00
	2	204	7,070.00	898.00
KV 4075	1	177	6,680.00	849.00
	1.5	197	6,970.00	898.00
	2	207	7,110.00	898.00
	3	219	7,290.00	982.00

1200 RPM (CONT.)				
Model No.	Motor H.P.	Approx. Wt./Lbs.	Premium Efficiency List Price (\$) Three Phase (6)	*AEGIS SGR
KV 4009	1	195	6,710.00	849.00
	1.5	215	7,020.00	898.00
	2	225	7,200.00	898.00
	3	253	7,330.00	982.00
	5	270	8,720.00	982.00
KV 4011	2	294	9,350.00	898.00
	3	355	9,530.00	982.00
	5	339	10,960.00	982.00
	7.5	423	12,720.00	1,149.00
KV 4013	2	333	12,290.00	898.00
	3	361	12,440.00	982.00
	5	378	13,710.00	982.00
	7.5	462	14,910.00	1,149.00
	10	532	17,520.00	1,149.00
KV 5007	1	233	7,700.00	849.00
	1.5	253	8,060.00	898.00
	2	263	8,210.00	898.00
KV 5075	3	291	8,370.00	982.00
	1	237	8,100.00	849.00
	1.5	255	8,430.00	898.00
KV 5095	2	269	8,560.00	898.00
	3	295	8,770.00	982.00
	3	321	10,100.00	982.00
KV 6009	5	324	11,350.00	982.00
	7.5	349	12,670.00	1,149.00
	2	317	10,900.00	898.00
	3	351	11,070.00	982.00
KV 6011	5	368	12,290.00	982.00
	7.5	459	13,510.00	1,149.00
	3	418	12,260.00	982.00
	5	435	13,490.00	982.00
	7.5	525	14,740.00	1,149.00
KV 6013	10	595	17,340.00	1,149.00
	5	505	16,490.00	982.00
	7.5	580	17,720.00	1,149.00
	10	620	20,330.00	1,149.00
	15	769	22,390.00	1,391.00
KV 8011	20	781	23,100.00	1,391.00
	7.5	655	18,230.00	1,149.00
	10	725	20,850.00	1,149.00
KV 8013	15	853	22,830.00	1,391.00
	10	887	22,780.00	1,149.00
	15	1006	25,060.00	1,391.00
	20	1018	25,830.00	1,391.00
	25	1182	27,800.00	1,387.00

6) ½ HP through 5 HP, STANDARD EFFICIENCY, are 208-230/460/60/3 TEFC motors. 7½ HP is 230/460/60/3. Consult factory for availability of all 1150 RPM motors. For all three phase motors: 1.0 SF @ 208V, 1.15 SF @ 230/460/60/3.

7) ½ HP through 7½ HP, PREMIUM EFFICIENCY, are 230/460/60/3 TEFC motors. Consult factory for availability on all premium efficient motors.

▶AEGIS Shaft Grounding Ring Option Prices - Note: Only available on Premium 3-Phase motors. AEGIS list adder is in addition to Premium Efficiency list adder.

\* See page 7 for AEGIS SGR Warranty Information

**Please Note: AEGIS Pricing has been changed!**



# KV Series Pumps – TEFC Motors

**Effective Date:** February 04, 2013

303-042

PAGE 7 of 7

MOTOR FRAME SIZE (CODE)	Stainless Steel Shaft Sleeves	▶ Silicon-Carbide/ Carbon EPT Seal	EPT TUNGSTEN CARBIDE SEAL	STAINLESS STEEL SHAFT	CERTIFIED TEST CURVES
▶ 143-215 (H, J, K)	326.50	325.00	450.50	CONSULT FACTORY	2,118.00
▶ 254-256 (L)	366.00	325.00	608.00		2,600.00
▶ 284-365 (M, N, R)	450.50	325.00	608.00		2,860.00

### LIST PRICE ADDER FOR 200 VOLT MOTORS

All motors 1 HP through 60 HP are TEFC.

MOTOR	HP	ADDER	
		STANDARD EFFICIENCY	PREMIUM EFFICIENCY
1200 RPM	ALL	N/A	NONE
1800 RPM	1 THROUGH 20		NONE
	25 THROUGH 60		NONE
3600 RPM	1 THROUGH 20		NONE
	25 THROUGH 60		NONE

### OPTIONS

FLANGE SIZE	250lb. WORKING PRESSURE	WEAR RINGS
1.5" - 2.5"	827.00	563.00
3" - 5"	1,276.00	654.00
6" - 10"	1,501.00	889.00

▶ Indicates new items added

### LIST PRICE ADDER FOR SUPPORT STAND

PUMP MODEL	PART NUMBER	LIST PRICE	SUPPORT STAND WEIGHT
KV1506	953-3907	287.50	10 LBS
KV1507	953-4062	287.50	10 LBS
KV1509	953-4062	287.50	10 LBS
KV2006	953-3986	386.00	19 LBS
KV2007	953-4063	386.00	19 LBS
KV2009	953-3986	386.00	19 LBS
KV2011	953-3985	386.00	19 LBS
KV2508	953-4064	386.00	19 LBS
KV2510	953-3967	476.50	26 LBS
KV3006	953-4066	476.50	26 LBS
KV3007	953-4063	386.00	19 LBS
KV3009	953-3983	476.50	26 LBS
KV3011	953-4065	476.50	26 LBS
KV3013	953-3973	774.00	47 LBS
KV4007	953-3966	386.00	19 LBS
KV4009	953-3974	774.00	47 LBS
KV4011	953-3976	774.00	47 LBS
KV4013	953-4067	774.00	47 LBS
KV4075	953-3967	476.50	26 LBS
KV5007	953-4068	964.00	66 LBS
KV5075	953-4068	964.00	66 LBS
KV5095	953-4068	964.00	66 LBS
KV6009	953-3968	964.00	66 LBS
KV6011	953-3988	964.00	66 LBS
KV6013	953-4069	964.00	66 LBS
KV8011	953-3991	1,286.00	100 LBS
KV8013	953-4070	1,286.00	100 LBS

\* Baldor Electric Company's warranty covers manufacturing defects of their motors. Performance of the AEGIS™ shaft grounding ring is covered by the following warranty from Electro Static Technology. Electro Static Technology guarantees any new motor up to 100 HP will not fail from electrical bearing fluting damage for the expected normal bearing life of the original motor bearings when the AEGIS™ SGR Bearing Protection ring is installed. If electrically induced fluting damage occurs, Electro Static Technology will replace motor bearings. **Guarantee is subject to the terms and conditions of the AEGIS™ SGR Guarantee Program:**

1. Electrically induced fluting damage must be verified by EST or an authorized entity to qualify for bearing replacement. EST shall not be liable for greater than 35% of the original cost of the motor or the Vaughen's National Average Price to furnish and install two (2) standard ball bearings.
2. To qualify for the AEGIS™ SGR Bearing Protection Ring performance guarantee, all motors with AEGIS™ SGR Bearing Protection Ring install must be registered within 30 days of placing the new motor into service. Proof of purchase is required. Register online to qualify for this performance guarantee. <http://www.west-aegis.com/registerform.cfm>

## TEFC MOTOR DRIP CAPS Ships Unmounted

PART NUMBER	MOTOR FRAME SIZE	LIST PRICE (\$)
951-6381RP	143-145	165.00
951-6382RP	182-184	192.00
951-6383RP	213-256	252.00
	284 and above	Consult Factory

**Do it Once. Do it Right.™**

TACO INC., 1160 Cranston Street, Cranston, RI 02920 Telephone: (401) 942-8000 Fax: (401) 942-2360  
 TACO (Canada), Ltd., 8450 Lawson Road, Milton, Ontario L9T 0J8 Telephone: (905) 564-9422 Fax: (905) 564-9436  
 Visit our website at: [www.taco-hvac.com](http://www.taco-hvac.com)

Printed in USA

Copyright 2006

TACO, Inc.



# Suggested List Prices

## KS Series Pumps - ODP Motors

Supersedes: May 30, 2011

Updated: July 17, 2014

Effective: February 04, 2013

**Please Note: AEGIS Pricing has been changed!**

STANDARD SPECIFICATIONS:

CAST IRON CASINGS,  
BRONZE IMPELLER,  
CERAMIC MECHANICAL SEAL (INSIDE),  
BALL BEARING  
CZ\* FRAME MOTOR.

FOR OUTSIDE MECHANICAL SEAL,  
REFER TO LAST PAGE OF PRICE SHEET.

\* HP motors are available at an additional cost.  
Consult factory for pricing.

Prices based on "factory choice" motors. Other  
motors subject to additional charges.

All prices subject to change without notice.

1) ½ HP through 10 HP, STANDARD EFFICIENCY, are 208-230/460/60/3 ODP motors. 15 HP through 100 HP, STANDARD EFFICIENCY, are 230/460/60/3 ODP motors. For all three phase motors: 1.0 SF @ 208V, 1.15 SF @ 230/460V.

2) ½ HP through 100 HP, PREMIUM EFFICIENCY, are 230/460/60/3 ODP motors. For all premium efficient motors: 1.15 SF @ 230/460V. Consult factory for availability on all premium efficient motors.

3) ½ HP through 15 HP, STANDARD EFFICIENCY, are 208-230/460/60/3 ODP motors. 20 HP through 100 HP, STANDARD EFFICIENCY, are 230/460/60/3 ODP motors. For all three phase motors: 1.0 SF @ 208V, 1.15 SF @ 230/460V.

► AEGIS Shaft Grounding Ring Option Prices - Note: Only available on Premium 3-Phase motors. AEGIS list adder is in addition to Premium Efficiency list adder.

\* See page 10 for AEGIS SGR Warranty Information

1800 RPM				LIST ADDITIONS (\$)	
Model No.	Motor H.P.	List Price (\$) Three Phase (1)	Approx. Wt./Lbs.	Premium Efficiency (2)	* AEGIS SGR
KS 1506	1	6,080.00	166	254.00	849.00
	1.5	6,160.00	172	282.00	849.00
KS 1507	1	6,400.00	174	254.00	849.00
	1.5	6,420.00	180	282.00	849.00
	2	6,490.00	186	356.50	849.00
KS 1509	1.5	6,640.00	189	282.00	849.00
	2	6,700.00	195	356.50	849.00
	3	6,930.00	210	431.00	898.00
	5	7,000.00	216	450.50	898.00
KS 2006	1	5,870.00	174	254.00	849.00
	1.5	5,910.00	180	282.00	849.00
KS 2007	1	6,180.00	185	254.00	849.00
	1.5	6,200.00	191	282.00	849.00
	2	6,280.00	197	356.50	849.00
KS 2009	3	6,520.00	215	431.00	898.00
	2	6,660.00	215	356.50	849.00
	3	6,700.00	233	431.00	898.00
	5	6,740.00	240	450.50	898.00
KS 2011	7.5	7,200.00	279	515.00	982.00
	3	7,440.00	266	431.00	898.00
	5	7,490.00	273	450.50	898.00
	7.5	7,970.00	305	515.00	982.00
KS 2508	10	8,230.00	312	572.00	982.00
	3	7,020.00	251	431.00	898.00
	5	7,180.00	257	450.50	898.00
	7.5	7,660.00	287	515.00	982.00
KS 2510	10	8,050.00	295	572.00	982.00
	5	7,590.00	275	450.50	898.00
	7.5	8,010.00	303	515.00	982.00
	10	8,340.00	311	572.00	982.00
	15	9,200.00	377	592.00	1,149.00
KS 3006	20	9,800.00	416	645.00	1,149.00
	1	6,400.00	238	254.00	849.00
	1.5	6,490.00	244	282.00	849.00
KS 3007	2	6,640.00	250	356.50	849.00
	2	6,410.00	221	356.50	849.00
	3	6,490.00	239	431.00	898.00
	5	6,650.00	246	450.50	898.00

# KS Series Pumps – ODP Motors

**Effective Date:** February 04, 2013

303-043

PAGE 2 of 10

1800 RPM (CONT.)				LIST ADDITIONS (\$)	
Model No.	Motor H.P.	List Price (\$) Three Phase (1)	Approx. Wt./Lbs.	Premium Efficiency (2)	* AEGIS SGR
KS 3009	2	7,270.00	239	356.50	849.00
	3	7,320.00	257	431.00	898.00
	5	7,420.00	264	450.50	898.00
	7.5	7,810.00	296	515.00	982.00
KS 3011	5	8,020.00	318	450.50	898.00
	7.5	8,390.00	344	515.00	982.00
	10	8,690.00	351	572.00	982.00
	15	9,510.00	427	592.00	1,149.00
KS 3013	7.5	12,070.00	408	515.00	982.00
	10	12,380.00	415	572.00	982.00
	15	13,400.00	481	592.00	1,149.00
	20	13,950.00	520	645.00	1,149.00
	25	14,670.00	562	674.00	1,391.00
KS 4007	2	7,230.00	255	356.50	849.00
	3	7,520.00	273	431.00	898.00
	5	7,590.00	280	450.50	898.00
	7.5	8,020.00	317	515.00	982.00
KS 4075	3	7,810.00	281	431.00	898.00
	5	7,860.00	288	450.50	898.00
	7.5	8,290.00	325	515.00	982.00
KS 4009	3	8,070.00	294	431.00	898.00
	5	8,150.00	301	450.50	898.00
	7.5	8,550.00	333	515.00	982.00
	10	8,860.00	340	572.00	982.00
	15	9,610.00	391	592.00	1,149.00
KS 4011	7.5	9,950.00	402	515.00	982.00
	10	10,230.00	409	572.00	982.00
	15	11,030.00	469	592.00	1,149.00
	20	11,590.00	508	645.00	1,149.00
KS 4013	7.5	13,300.00	441	515.00	982.00
	10	13,590.00	448	572.00	982.00
	15	14,730.00	508	592.00	1,149.00
	20	15,050.00	547	645.00	1,149.00
	25	15,880.00	604	674.00	1,391.00
	30	16,500.00	645	786.00	1,391.00
KS 5007	3	8,280.00	363	431.00	898.00
	5	8,340.00	370	450.50	898.00
	7.5	8,760.00	402	515.00	982.00
	10	9,070.00	409	572.00	982.00
KS 5075	3	8,850.00	368	431.00	898.00
	5	8,890.00	375	450.50	898.00
	7.5	9,370.00	407	515.00	982.00
	10	9,760.00	414	572.00	982.00

**Please Note: AEGIS Pricing has been changed!**

► AEGIS Shaft Grounding Ring Option Prices - Note: Only available on Premium 3-Phase motors. AEGIS list adder is in addition to Premium Efficiency list adder.

\* See page 10 for AEGIS SGR Warranty Information

# KS Series Pumps – ODP Motors

Effective Date: February 04, 2013

303-043

PAGE 3 of 10

1800 RPM (CONT.)				LIST ADDITIONS (\$)	
Model No.	Motor H.P.	List Price (\$) Three Phase (1)	Approx. Wt./Lbs.	Premium Efficiency (2)	* AEGIS SGR
KS 5095	10	11,180.00	424	572.00	982.00
	15	12,110.00	487	592.00	1,149.00
	20	12,620.00	528	645.00	1,149.00
	25	13,760.00	567	674.00	1,391.00
KS 6009	7.5	11,630.00	431	515.00	982.00
	10	11,800.00	438	572.00	982.00
	15	12,690.00	505	592.00	1,149.00
	20	13,190.00	544	645.00	1,149.00
KS 6011	15	13,670.00	556	592.00	1,149.00
	20	14,210.00	595	645.00	1,149.00
	25	15,380.00	652	674.00	1,391.00
	30	15,910.00	693	786.00	1,391.00
	40	17,500.00	857	966.00	1,387.00
KS 6013	15	15,800.00	626	592.00	1,149.00
	20	16,280.00	665	645.00	1,149.00
	25	16,970.00	722	674.00	1,391.00
	30	18,690.00	763	786.00	1,391.00
	40	19,320.00	913	966.00	1,387.00
	50	19,830.00	929	1,163.00	1,387.00
	60	21,390.00	1153	1,304.00	2,356.00
KS 8011	20	16,180.00	740	645.00	1,149.00
	25	17,800.00	806	674.00	1,391.00
	30	18,250.00	847	786.00	1,391.00
	40	19,400.00	997	966.00	1,387.00
	50	20,630.00	1013	1,163.00	1,387.00
KS 8013	30	19,330.00	1000	786.00	1,391.00
	40	20,280.00	1150	966.00	1,387.00
	50	21,520.00	1166	1,163.00	1,387.00
	60	23,230.00	1390	1,304.00	2,356.00
	75	25,010.00	1415	1,586.00	2,356.00
	100	28,610.00	1450	2,003.00	2,999.00
KS 1013	40	23,710.00	1202	966.00	1,387.00
	50	24,810.00	1218	1,163.00	1,387.00
	60	26,490.00	1373	1,304.00	2,356.00
	75	29,050.00	1398	1,586.00	2,356.00
	100	34,000.00	1433	2,003.00	2,999.00
	125**	36,950.00	1698	3,120.00	CF

**Please Note: AEGIS Pricing has been changed!**

►AEGIS Shaft Grounding Ring Option Prices - Note: Only available on Premium 3-Phase motors. AEGIS list adder is in addition to Premium Efficiency list adder.

\* See page 10 for AEGIS SGR Warranty Information.

CF indicates Consult Factory for pricing

# KS Series Pumps – ODP Motors

**Effective Date:** February 04, 2013

303-043

PAGE 4 of 10

## NEW LARGER KS SERIES PUMPS

1800 RPM		Standard (\$)		Premium (\$)		
Model No.	Motor H.P.	List Price	Approx. Wt./Lbs.	List Price	Approx. Wt./Lbs.	* AEGIS SGR
KS 8016	75	29,900.00	2203	31,760.00	2418	2,356.00
	100	34,300.00	2407	38,430.00	2476	2,999.00
	125**	36,290.00	2547	39,220.00	2848	CF
	150**	47,800.00	3019	48,700.00	3160	CF
	200**	55,280.00	3093	61,270.00	3206	CF
KS 1016	250**	62,870.00	3125	64,740.00	3230	CF
	75	37,970.00	2393	39,790.00	2608	2,356.00
	100	42,290.00	2597	44,170.00	2666	2,999.00
	125**	44,230.00	2737	46,350.00	3038	CF
	150**	57,160.00	3209	60,410.00	3350	CF
	200**	62,140.00	3283	68,710.00	3396	CF
	250**	68,620.00	3315	74,150.00	3420	CF
KS 1213	300**	95,830.00	3328	101,700.00	3459	CF
	60	47,620.00	2705	48,780.00	2925	2,356.00
	75	49,730.00	2808	51,550.00	3035	2,356.00
	100	54,050.00	2997	55,930.00	3066	2,999.00
	125**	56,010.00	3137	58,150.00	3438	CF
	150**	68,910.00	3609	72,190.00	3750	CF
	200**	73,890.00	3683	80,480.00	3765	CF
	250**	80,390.00	3725	85,910.00	3792	CF
KS 1217	300**	107,580.00	3778	113,460.00	3889	CF
	250**	80,100.00	4586	81,970.00	4752	CF
	300**	93,760.00	5372	100,950.00	5617	CF
	350**	114,190.00	5372	123,950.00	5617	CF
	400**	120,860.00	5562	131,440.00	5826	CF
	450**	131,940.00	5562	143,920.00	5826	CF
	500**	182,460.00	6522	200,740.00	6882	CF
KS 1415	600**	203,130.00	8122	224,010.00	8642	CF
	150**	82,400.00	4206	85,680.00	4350	CF
	200**	87,370.00	4283	93,950.00	4296	CF
	250**	93,850.00	4295	99,370.00	4392	CF
	300**	121,050.00	4328	126,930.00	4459	CF
	350**	131,780.00	4508	145,880.00	4653	CF
	400**	137,950.00	4872	153,110.00	4989	CF
	450**	147,980.00	5012	165,130.00	5212	CF
500**	206,240.00	7852	219,340.00	8053	CF	

**Please Note: AEGIS Pricing has been changed!**

▶ AEGIS Shaft Grounding Ring Option Prices  
- Note: Only available on Premium 3-Phase motors. AEGIS list adder is in addition to Premium Efficiency list adder.

\* See page 10 for AEGIS SGR Warranty Information.

\*\* Motors over 100HP with AEGIS™ SGR require an insulated bearing on the opposite drive end. Consult Factory for Pricing.

CF indicates Consult Factory for pricing

# KS Series Pumps – ODP Motors

**Effective Date:** February 04, 2013

303-043

PAGE 5 of 10

3600 RPM				LIST ADDITIONS (\$)	
Model No.	Motor H.P.	List Price (\$) Three Phase (4)	Approx. Wt./Lbs.	Premium Efficiency (5)	* AEGIS SGR
KS 1506	2	6,120.00	170	374.00	849.00
	3	6,170.00	181	459.50	849.00
	5	6,240.00	202	487.00	898.00
	7.5	6,700.00	217	563.00	898.00
KS 1507	5	6,600.00	210	487.00	898.00
	7.5	7,050.00	225	563.00	898.00
	10	7,440.00	265	608.00	982.00
	15	8,340.00	294	639.00	982.00
KS 1509	7.5	7,070.00	230	563.00	898.00
	10	7,450.00	265	608.00	982.00
	15	8,390.00	294	639.00	982.00
	20	9,200.00	337	667.00	1,149.00
	25	9,590.00	356	703.00	1,149.00
	30	11,350.00	469	806.00	1,391.00
KS 2006	3	5,930.00	189	459.50	849.00
	5	6,030.00	210	487.00	898.00
	7.5	6,520.00	225	563.00	898.00
	10	6,970.00	265	608.00	982.00
KS 2007	7.5	6,830.00	236	563.00	898.00
	10	7,340.00	276	608.00	982.00
	15	7,890.00	305	639.00	982.00
	20	9,080.00	361	667.00	1,149.00
	25	9,870.00	380	703.00	1,149.00
KS 2009	10	7,820.00	295	608.00	982.00
	15	8,400.00	324	639.00	982.00
	20	9,370.00	371	667.00	1,149.00
	25	10,720.00	390	703.00	1,149.00
	30	11,430.00	503	806.00	1,391.00
	40	12,960.00	527	986.00	1,391.00
KS 2508	30	11,780.00	513	806.00	1,391.00
	40	14,220.00	664	986.00	1,391.00
	50	15,860.00	718	1,189.00	1,387.00
	60	19,160.00	923	1,371.00	1,387.00
KS 3006	5	6,600.00	274	487.00	898.00
	7.5	7,050.00	289	563.00	898.00
	10	7,440.00	331	608.00	982.00
	15	8,340.00	360	639.00	982.00

**Please Note: AEGIS Pricing has been changed!**

► AEGIS Shaft Grounding Ring Option Prices - Note: Only available on Premium 3-Phase motors. AEGIS list adder is in addition to Premium Efficiency list adder.

\* See page 10 for AEGIS SGR Warranty Information.

# KS Series Pumps – ODP Motors

**Effective Date:** February 04, 2013

303-043

PAGE 6 of 10

3600 RPM (CONT.)				LIST ADDITIONS (\$)	
Model No.	Motor H.P.	List Price (\$) Three Phase (4)	Approx. Wt./Lbs.	Premium Efficiency (5)	* AEGIS SGR
KS 3007	10	7,360.00	295	608.00	982.00
	15	8,170.00	324	639.00	982.00
	20	8,940.00	379	667.00	1,149.00
	25	9,660.00	398	703.00	1,149.00
	30	10,240.00	514	806.00	1,391.00
	40	11,650.00	538	986.00	1,391.00
KS 3009	15	8,470.00	342	639.00	982.00
	20	9,350.00	400	667.00	1,149.00
	25	9,870.00	419	703.00	1,149.00
	30	11,290.00	551	806.00	1,391.00
	40	12,570.00	575	986.00	1,391.00
	50	13,840.00	775	1,189.00	1,387.00
KS 4007	10	8,550.00	334	608.00	982.00
	15	9,160.00	363	639.00	982.00
	20	9,940.00	413	667.00	1,149.00
	25	10,280.00	432	703.00	1,149.00
	30	12,330.00	565	806.00	1,391.00
	40	13,620.00	589	986.00	1,391.00
	50	14,890.00	789	1,189.00	1,387.00
KS 4075	30	12,510.00	568	806.00	1,391.00
	40	13,590.00	595	986.00	1,391.00
	50	14,840.00	797	1,189.00	1,387.00
	60	15,910.00	995	1,371.00	1,387.00
KS 4009	25	10,190.00	455	703.00	1,149.00
	30	12,070.00	578	806.00	1,391.00
	40	13,370.00	602	986.00	1,391.00
	50	14,640.00	802	1,189.00	1,387.00
	60	15,710.00	985	1,371.00	1,387.00
KS 5007	20	10,400.00	469	667.00	1,149.00
	25	10,750.00	488	703.00	1,149.00
	30	12,260.00	604	806.00	1,391.00
	40	13,560.00	628	986.00	1,391.00
	50	14,820.00	828	1,189.00	1,387.00
	60	15,860.00	962	1,371.00	1,387.00
KS 5075	25	11,360.00	495	703.00	1,149.00
	30	12,900.00	610	806.00	1,391.00
	40	14,190.00	637	986.00	1,391.00
	50	15,440.00	838	1,189.00	1,387.00
	60	16,500.00	969	1,371.00	1,387.00

**Please Note: AEGIS Pricing has been changed!**

► AEGIS Shaft Grounding Ring Option Prices - Note: Only available on Premium 3-Phase motors. AEGIS list adder is in addition to Premium Efficiency list adder.

\* See page 10 for AEGIS SGR Warranty Information.

► New item added.

# KS Series Pumps – ODP Motors

**Effective Date:** February 04, 2013

303-043

PAGE 7 of 10

1200 RPM				LIST ADDITIONS (\$)	
Model No.	Motor H.P.	List Price (\$) Three Phase (5)	Approx. Wt./Lbs.	Premium Efficiency (6)	* AEGIS SGR
KS 1507	1	6,500.00	181	234.00	849.00
KS 1509	1	6,980.00	186	234.00	849.00
	1.5	7,050.00	187	254.00	898.00
KS 2007	1	6,870.00	192	234.00	849.00
	1.5	6,950.00	210	254.00	898.00
KS 2009	1	7,280.00	210	234.00	849.00
	1.5	7,320.00	228	254.00	898.00
KS 2011	1	7,760.00	243	234.00	849.00
	1.5	7,780.00	261	254.00	898.00
	2	7,820.00	265	271.50	898.00
	3	8,090.00	305	506.00	982.00
KS 2508	1	7,360.00	245	234.00	849.00
	1.5	7,420.00	263	254.00	898.00
	2	7,490.00	271	271.50	898.00
	3	7,890.00	311	506.00	982.00
KS 2510	2	8,010.00	287	271.50	898.00
	3	8,310.00	327	506.00	982.00
	5	9,160.00	242	703.00	982.00
KS 3007	1	6,770.00	216	234.00	849.00
	1.5	6,830.00	234	254.00	898.00
KS 3009	1	7,710.00	234	234.00	849.00
	1.5	7,770.00	252	254.00	898.00
	2	7,840.00	256	271.50	898.00
KS 3011	1.5	8,230.00	306	254.00	898.00
	2	8,280.00	310	271.50	898.00
	3	8,490.00	344	506.00	982.00
	5	8,850.00	359	703.00	982.00
KS 3013	2	12,390.00	408	271.50	898.00
	3	12,960.00	323	506.00	982.00
	5	13,380.00	438	703.00	982.00
	7.5	16,150.00	500	836.00	1,149.00
KS 4007	1	7,490.00	250	234.00	849.00
	1.5	7,550.00	268	254.00	898.00
	2	7,590.00	272	271.50	898.00
KS 4075	1	8,010.00	263	234.00	849.00
	1.5	8,030.00	281	254.00	898.00
	2	8,060.00	298	271.50	898.00
	3	8,360.00	328	506.00	982.00
KS 4009	1	8,440.00	271	234.00	849.00
	1.5	8,470.00	289	254.00	898.00
	2	8,510.00	293	271.50	898.00
	3	8,820.00	333	506.00	982.00
	5	9,180.00	348	703.00	982.00

**Please Note: AEGIS Pricing has been changed!**

► AEGIS Shaft Grounding Ring Option Prices - Note: Only available on Premium 3-Phase motors. AEGIS list adder is in addition to Premium Efficiency list adder.

\* See page 10 for AEGIS SGR Warranty Information.

Additional pump pricing on page 9.

4) 1½ HP through 100 HP, PREMIUM EFFICIENCY, are 230/460/60/3 ODP motors. For all three phase motors: 1.15 SF @ 230/460V.

5) ½ HP through 5 HP, STANDARD EFFICIENCY, are 208-230/460/60/3 ODP motors. 7½ HP is 230/460/60/3. Consult factory for availability of all 1150 RPM motors. For all three phase motors: 1.0 SF @ 280V, 1.15 SF @ 230/460/60/3.

6) ½ HP through 7½ HP, PREMIUM EFFICIENCY, are 230/460/60/3 ODP motors. Consult factory for availability of all premium efficient motors.



# KS Series Pumps – ODP Motors

303-043

Effective Date: February 04, 2013

PAGE 8 of 10

1200 RPM (CONT.)				LIST ADDITIONS (\$)	
Model No.	Motor H.P.	List Price (\$) Three Phase (5)	Approx. Wt./Lbs.	Premium Efficiency (6)	▶ * AEGIS SGR
KS 4011	2	9,820.00	362	271.50	898.00
	3	10,070.00	402	506.00	982.00
	5	10,410.00	417	703.00	982.00
	7.5	11,260.00	441	836.00	1,149.00
KS 4013	3	13,710.00	441	506.00	982.00
	5	14,110.00	456	703.00	982.00
	7.5	14,480.00	480	836.00	1,149.00
	10	16,730.00	527	945.00	1,149.00
KS 5007	1	8,650.00	309	234.00	849.00
	1.5	8,680.00	327	254.00	898.00
	2	8,760.00	331	271.50	898.00
	3	9,070.00	371	506.00	982.00
KS 5075	1	8,730.00	311	234.00	849.00
	1.5	8,760.00	329	254.00	898.00
	2	8,840.00	337	271.50	898.00
	3	9,120.00	377	506.00	982.00
KS 5095	3	10,820.00	389	506.00	982.00
	5	11,140.00	420	703.00	982.00
	7.5	12,260.00	467	836.00	1,149.00
KS 6009	2	12,130.00	431	506.00	898.00
	3	12,650.00	446	703.00	982.00
	5	13,040.00	477	836.00	982.00
	7.5	15,620.00	524	945.00	1,149.00
KS 6011	3	12,880.00	498	506.00	982.00
	5	13,410.00	513	703.00	982.00
	7.5	13,810.00	543	836.00	1,149.00
	10	16,420.00	590	945.00	1,149.00
KS 6013	5	15,370.00	583	703.00	982.00
	7.5	15,710.00	598	836.00	1,149.00
	10	17,990.00	645	945.00	1,149.00
	15	19,570.00	762	1,069.00	1,391.00
	20	19,700.00	771	1,304.00	1,391.00
KS 8011	7.5	16,360.00	673	836.00	1,149.00
	10	18,640.00	720	945.00	1,149.00
	15	20,130.00	846	1,069.00	1,391.00
KS 8013	10	19,910.00	882	945.00	1,149.00
	15	21,470.00	999	1,069.00	1,391.00
	20	21,630.00	1008	1,304.00	1,391.00
	25	22,260.00	1083	1,452.00	1,387.00
KS 1013	10	22,220.00	1000	945.00	1,149.00
	15	23,510.00	1102	1,069.00	1,391.00
	20	24,640.00	1111	1,304.00	1,391.00
	25	26,300.00	1135	1,452.00	1,387.00
	30	29,760.00	1151	1,605.00	1,387.00
	40	31,630.00	1231	1,887.00	2,356.00

**Please Note: AEGIS Pricing has been changed!**

▶ AEGIS Shaft Grounding Ring Option Prices - Note: Only available on Premium 3-Phase motors. AEGIS list adder is in addition to Premium Efficiency list adder.

\* See page 10 for AEGIS SGR Warranty Information.

Additional pump pricing on page 9.

4) 1½ HP through 100 HP, PREMIUM EFFICIENCY, are 230/460/60/3 ODP motors. For all three phase motors: 1.15 SF @ 230/460V.

5) ½ HP through 5 HP, STANDARD EFFICIENCY, are 208-230/460/60/3 ODP motors. 7½ HP is 230/460/60/3. Consult factory for availability of all 1150 RPM motors. For all three phase motors: 1.0 SF @ 280V, 1.15 SF @ 230/460/60/3.

6) ½ HP through 7½ HP, PREMIUM EFFICIENCY, are 230/460/60/3 ODP motors. Consult factory for availability of all premium efficient motors.

# KS Series Pumps – ODP Motors

**Effective Date:** February 04, 2013

303-043

PAGE 9 of 10

## NEW LARGER KS SERIES PUMPS

1200 RPM		Standard (\$)		Premium (\$)		
Model No.	Motor H.P.	List Price	Approx. Wt./Lbs.	List Price	Approx. Wt./Lbs.	* AEGIS SGR
KS 8016	25	25,840.00	1984	29,340.00	2088	1,387.00
	30	28,820.00	1998	30,150.00	2097	1,387.00
	40	30,250.00	2177	31,670.00	2237	2,356.00
	50	34,720.00	2220	35,540.00	2477	2,356.00
	60	35,660.00	2440	36,140.00	2763	2,999.00
	75	39,250.00	2455	51,310.00	2773	2,999.00
KS 1016	25	36,580.00	2174	37,430.00	2278	1,387.00
	30	36,930.00	2188	38,220.00	2287	1,387.00
	40	38,290.00	2367	45,690.00	2427	2,356.00
	50	42,680.00	2410	49,600.00	2667	2,356.00
	60	51,210.00	2630	55,060.00	2953	2,999.00
	75	55,470.00	2645	61,060.00	2963	2,999.00
KS 1213	100	65,410.00	3097	69,320.00	3272	CF
	25	48,340.00	2574	49,170.00	2678	1,387.00
	30	48,690.00	2584	49,980.00	2688	1,387.00
	40	50,090.00	2797	57,450.00	3027	2,356.00
	50	54,480.00	2810	61,350.00	3067	2,356.00
	60	62,970.00	3030	66,820.00	3353	2,999.00
KS 1217	75	67,260.00	3041	72,820.00	3383	2,999.00
	75	56,490.00	4082	68,550.00	4198	2,999.00
	100	67,270.00	4586	71,790.00	4752	CF
	125**	72,820.00	4586	74,650.00	4752	CF
	150**	79,490.00	4586	81,500.00	4752	CF
KS 1415	200**	81,970.00	5222	95,770.00	5452	CF
	75	80,720.00	3601	86,300.00	3914	2,999.00
	100	90,640.00	4067	94,570.00	4272	CF
	125**	92,700.00	4098	96,630.00	4373	CF
	150**	95,240.00	4219	99,150.00	4800	CF
	200**	93,970.00	4855	109,060.00	5500	CF

### LIST PRICE ADDER FOR OPTIONAL INSIDE SEALS

Motor Frame Size	EPT Tungsten Carbide Seal	Silicon-Carbide/Carbon/EPT
143-215	450.50	325.00
254-256	608.00	325.00
*** 284-365	608.00	325.00
404-449 and all KS 1213, 1217 & 1415	827.00	400.00
***Except KS 1213/1217/1415		

### OPTIONS

Flange Size	250lb. Working Pressure	^Casing Wear Rings (Bronze)
1.5" - 2.5"	827.00	563.00
3" - 5"	1,276.00	654.00
6" - 10"	1,501.00	889.00
12" - 14"	2,946.00	1,431.00

^Cast Iron Wear Rings come standard on 8" and above.

### Insulated Bearing Adders

NEMA FRAME	List Adder (\$) (per bearing)
143-145	1,036.44
182-184	1,369.17
213-215	1,843.22
254-256	3,032.78
284-286	3,804.22
324-326	4,240.00
364-365	4,396.06
404-405	CF
444-445	CF
447-449	CF

▶AEGIS Shaft Grounding Ring Option Prices - Note: Only available on Premium 3-Phase motors. AEGIS list adder is in addition to Premium Efficiency list adder.

\* See page 10 for AEGIS™ SGR Warranty Information.

\*\* Motors over 100HP with AEGIS™ SGR require an insulated bearing on the opposite drive end to qualify for AEGIS™ SGR Warranty. See "Insulated Bearing Adders" table.

CF = indicates Consult Factory for pricing.

▶ ▶ New Item added.

### LIST PRICE ADDER FOR OUTSIDE MECHANICAL SEALS & CERTIFIED TEST CURVES

MOTOR FRAME SIZE (CODE)	NI-RESIST SEAL	CERAMIC SEAL	TUNGSTEN SEAL	SILICON-CARBIDE SEAL	CERTIFIED TEST CURVES
143-215 (H, J)	654.00	1,452.00	2,269.00	1,944.00	2,118.00
254-326 (K, L, M)	1,030.00	1,987.00	2,720.00	2,400.00	2,600.00
364-449 (N, P)	1,312.00	2,590.00	3,550.00	3,123.00	2,860.00

**Do it Once. Do it Right.™**

TACO INC., 1160 Cranston Street, Cranston, RI 02920 Telephone: (401) 942-8000 Fax: (401) 942-2360  
 TACO (Canada), Ltd., 8450 Lawson Road, Milton, Ontario L9T 0J8 Telephone: (905) 564-9422 Fax: (905) 564-9436  
 Visit our website at: [www.taco-hvac.com](http://www.taco-hvac.com)

Printed in USA

Copyright 2007

TACO, Inc.

# KS Series Pumps – ODP Motors

**Effective Date:** February 04, 2013

303-043

PAGE 10 of 10

LIST PRICE ADDER FOR SUPPORT STAND			
PUMP MODEL	PART NUMBER	LIST PRICE (\$)	SUPPORT STAND WEIGHT
KS1013	953-3969	1,286.00	100 LBS
KS1016	953-3969	1,286.00	100 LBS
KS1213	953-3996	3,760.00	311 LBS
KS1217	953-3970	4,020.00	343 LBS
KS1415	953-3995	3,760.00	311 LBS
KS1506	953-3907	287.50	10 LBS
KS1507	953-4062	287.50	10 LBS
KS1509	953-4062	287.50	10 LBS
KS2006	953-3986	386.00	19 LBS
KS2007	953-4063	386.00	19 LBS
KS2009	953-3986	386.00	19 LBS
KS2011	953-3985	386.00	19 LBS
KS2508	953-4064	386.00	19 LBS
KS2510	953-3967	476.50	26 LBS
KS3006	953-4066	476.50	26 LBS
KS3007	953-4063	386.00	19 LBS
KS3009	953-3983	476.50	26 LBS
KS3011	953-4065	476.50	26 LBS
KS3013	953-3973	774.00	47 LBS
KS4007	953-3966	386.00	19 LBS
KS4009	953-3974	774.00	47 LBS
KS4011	953-3976	774.00	47 LBS
KS4013	953-4067	774.00	47 LBS
KS4075	953-3967	476.50	26 LBS
KS5007	953-4068	964.00	66 LBS
KS5075	953-4068	964.00	66 LBS
KS5095	953-4068	964.00	66 LBS
KS6009	953-3968	964.00	66 LBS
KS6011	953-3988	964.00	66 LBS
KS6013	953-4069	964.00	66 LBS
KS8011	953-3991	1,286.00	100 LBS
KS8013	953-4070	1,286.00	100 LBS
KS8016	953-3989	1,286.00	100 LBS

\* Baldor Electric Company's warranty covers manufacturing defects of their motors. Performance of the AEGIS™ shaft grounding ring is covered by the following warranty from Electro Static Technology.

Electro Static Technology guarantees any new motor up to 100 HP will not fail from electrical bearing fluting damage for the expected normal bearing life of the original motor bearings when the AEGIS™ SGR Bearing Protection ring is installed. If electrically induced fluting damage occurs, Electro Static Technology will replace motor bearings.

**Guarantee is subject to the terms and conditions of the AEGIS™ SGR Guarantee Program:**

1. Electrically induced fluting damage must be verified by EST or an authorized entity to qualify for bearing replacement. EST shall not be liable for greater than 35% of the original cost of the motor or the Vaughen's National Average Price to furnish and install two (2) standard ball bearings.

2. To qualify for the AEGIS™ SGR Bearing Protection Ring performance guarantee, all motors with AEGIS™ SGR Bearing Protection Ring install must be registered within 30 days of placing the new motor into service. Proof of purchase is required. Register online to qualify for this performance guarantee. <http://wwwwest-aegis.com/registerform.cfm>

**Do it Once. Do it Right.™**

TACO INC., 1160 Cranston Street, Cranston, RI 02920 Telephone: (401) 942-8000 Fax: (401) 942-2360  
 TACO (Canada), Ltd., 8450 Lawson Road, Milton, Ontario L9T 0J8 Telephone: (905) 564-9422 Fax: (905) 564-9436  
 Visit our website at: [www.taco-hvac.com](http://www.taco-hvac.com)

Printed in USA

Copyright 2007

TACO, Inc.



# Suggested List Prices

## KS Series Pumps - TEFC Motors

Supersedes: May 30, 2011

Updated: July 9, 2014

Effective: February 04, 2013

**Please Note: AEGIS Pricing has been changed!**

STANDARD SPECIFICATIONS:  
CAST IRON CASING,  
BRONZE IMPELLER,  
CERAMIC MECHANICAL SEAL (IN-SIDE),  
BALL BEARING  
CZ\* FRAME MOTOR.

FOR OUTSIDE MECHANICAL SEAL,  
REFER TO LAST PAGE OF PRICE SHEET.

\* HP motors are available at an additional cost. Consult factory for pricing.

Prices based on "factory choice" motors.  
Other motors subject to additional charges.

All prices subject to change without notice.

- 1) ½ HP through 10 HP, STANDARD EFFICIENCY, are 208-230/460/60/3 TEFC motors. 15 HP through 100 HP, STANDARD EFFICIENCY, are 230/460/60/3 TEFC motors. For all three phase motors: 1.0 SF @ 208V, 1.15 SF @ 230/460V.
- 2) ½ HP through 100 HP, PREMIUM EFFICIENCY, are 230/460/60/3 TEFC motors. For all premium efficient motors: 1.15 SF @ 230/460V. Consult factory for availability on all premium efficient motors.

►AEGIS Shaft Grounding Ring Option Prices - Note: Only available on Premium 3-Phase motors. AEGIS list adder is in addition to Premium Efficiency list adder.

\* See page 11 for AEGIS SGR Warranty Information

1800 RPM				LIST ADDITIONS (\$)	
Model No.	Motor H.P.	List Price (\$) Three Phase (1)	Approx. Wt./Lbs.	Premium Efficiency (2)	* AEGIS SGR
KS 1506	1	6,240.00	175	374.00	849.00
	1.5	6,380.00	177	431.00	849.00
KS 1507	1	6,410.00	183	374.00	849.00
	1.5	6,490.00	185	431.00	849.00
	2	6,640.00	194	543.00	849.00
KS 1509	1.5	6,740.00	195	431.00	849.00
	2	6,840.00	205	543.00	849.00
	3	7,050.00	224	674.00	898.00
KS 2006	5	7,200.00	240	955.00	898.00
	1	5,930.00	183	374.00	849.00
KS 2007	1.5	5,990.00	185	431.00	849.00
	1	6,190.00	194	374.00	849.00
KS 2009	1.5	6,280.00	196	431.00	849.00
	2	6,390.00	205	543.00	849.00
	3	6,710.00	230	674.00	898.00
KS 2011	2	6,710.00	223	543.00	849.00
	3	6,830.00	248	674.00	898.00
	5	6,990.00	264	955.00	898.00
KS 2508	7.5	7,940.00	297	1,041.00	982.00
	3	7,610.00	281	674.00	898.00
	5	7,720.00	297	955.00	898.00
KS 2510	7.5	8,230.00	336	1,041.00	982.00
	10	8,620.00	351	1,201.00	982.00
	3	7,200.00	253	674.00	898.00
KS 3006	5	7,380.00	277	955.00	898.00
	7.5	8,000.00	301	1,041.00	982.00
	10	8,430.00	329	1,201.00	982.00
KS 3007	5	7,770.00	283	955.00	898.00
	7.5	8,290.00	337	1,041.00	982.00
	10	8,670.00	358	1,201.00	982.00
	15	9,830.00	435	1,649.00	1,149.00
KS 3006	20	10,450.00	501	1,905.00	1,149.00
	1	6,420.00	247	374.00	849.00
	1.5	6,640.00	249	431.00	849.00
KS 3007	2	6,730.00	258	543.00	849.00
	2	6,490.00	229	543.00	849.00
	3	6,680.00	254	674.00	898.00
	5	6,780.00	270	955.00	898.00

# KS Series Pumps – TEFC Motors

Effective Date: February 04, 2013

303-044

Page 2 of 11

1800 RPM (CONT.)				LIST ADDITIONS (\$)	
Model No.	Motor H.P.	List Price (\$) Three Phase (1)	Approx. Wt./Lbs.	Premium Efficiency (2)	▶ * AEGIS SGR
KS 3009	2	7,380.00	247	543.00	849.00
	3	7,470.00	272	674.00	898.00
	5	7,610.00	288	955.00	898.00
	7.5	8,130.00	327	1,041.00	982.00
KS 3011	5	8,210.00	342	955.00	898.00
	7.5	8,680.00	375	1,041.00	982.00
	10	9,090.00	390	1,201.00	982.00
	15	10,230.00	472	1,649.00	1,149.00
KS 3013	7.5	13,180.00	439	1,041.00	982.00
	10	13,550.00	454	1,201.00	982.00
	15	14,720.00	526	1,649.00	1,149.00
	20	15,340.00	613	1,905.00	1,149.00
	25	16,190.00	733	1,940.00	1,391.00
KS 4007	2	7,340.00	263	543.00	849.00
	3	7,710.00	288	674.00	898.00
	5	7,780.00	304	955.00	898.00
	7.5	8,310.00	348	1,041.00	982.00
KS 4075	3	8,000.00	291	674.00	898.00
	5	8,060.00	307	955.00	898.00
	7.5	8,580.00	353	1,041.00	982.00
KS 4009	3	8,270.00	309	674.00	898.00
	5	8,360.00	325	955.00	898.00
	7.5	8,860.00	364	1,041.00	982.00
	10	9,220.00	379	1,201.00	982.00
	15	10,330.00	436	1,649.00	1,149.00
KS 4011	7.5	10,230.00	433	1,041.00	982.00
	10	10,630.00	448	1,201.00	982.00
	15	11,750.00	514	1,649.00	1,149.00
	20	12,380.00	601	1,905.00	1,149.00
	25	14,390.00	745	1,940.00	1,391.00
KS 4013	7.5	14,440.00	472	1,041.00	982.00
	10	14,770.00	487	1,201.00	982.00
	15	16,050.00	553	1,649.00	1,149.00
	20	16,440.00	640	1,905.00	1,149.00
	25	17,430.00	775	1,940.00	1,391.00
	30	18,400.00	781	1,987.00	1,391.00
KS 5007	3	8,430.00	417	674.00	898.00
	5	8,510.00	433	955.00	898.00
	7.5	9,070.00	472	1,041.00	982.00
	10	9,430.00	487	1,201.00	982.00
KS 5075	3	9,000.00	417	674.00	898.00
	5	9,100.00	433	955.00	898.00
	7.5	9,690.00	472	1,041.00	982.00
	10	9,840.00	487	1,201.00	982.00

**Please Note: AEGIS Pricing has been changed!**

▶ AEGIS Shaft Grounding Ring Option Prices - Note: Only available on Premium 3-Phase motors. AEGIS list adder is in addition to Premium Efficiency list adder.

\* See page 11 for AEGIS SGR Warranty Information

# KS Series Pumps – TEFC Motors

Effective Date: February 04, 2013

303-044

Page 3 of 11

1800 RPM (CONT.)				LIST ADDITIONS (\$)	
Model No.	Motor H.P.	List Price (\$) Three Phase (1)	Approx. Wt./Lbs.	Premium Efficiency (2)	* AEGIS SGR
KS 5095	10	12,200.00	468	1,201.00	982.00
	15	13,080.00	530	1,649.00	1,149.00
	20	13,670.00	623	1,905.00	1,149.00
	25	14,970.00	731	1,940.00	1,391.00
KS 6009	7.5	12,760.00	462	1,041.00	982.00
	10	12,940.00	477	1,201.00	982.00
	15	14,000.00	550	1,649.00	1,149.00
	20	14,570.00	637	1,905.00	1,149.00
KS 6011	15	15,570.00	601	1,649.00	1,149.00
	20	16,230.00	688	1,905.00	1,149.00
	25	16,890.00	823	1,940.00	1,391.00
	30	17,830.00	829	1,987.00	1,391.00
	40	20,080.00	1093	2,053.00	1,387.00
KS 6013	15	17,090.00	671	1,649.00	1,149.00
	20	17,650.00	758	1,905.00	1,149.00
	25	18,510.00	893	1,940.00	1,391.00
	30	19,300.00	899	1,987.00	1,391.00
	40	21,210.00	1149	2,053.00	1,387.00
	50	23,020.00	1166	2,121.00	1,387.00
	60	25,940.00	1353	2,164.00	2,356.00
KS 8011	20	17,530.00	833	1,905.00	1,149.00
	25	19,310.00	977	1,940.00	1,391.00
	30	20,110.00	983	1,987.00	1,391.00
	40	22,020.00	1233	2,053.00	1,387.00
	50	23,840.00	1250	2,121.00	1,387.00
KS 8013	30	21,230.00	1187	1,987.00	1,391.00
	40	22,870.00	1386	2,053.00	1,387.00
	50	24,720.00	1472	2,121.00	1,387.00
	60	27,810.00	1590	2,164.00	2,356.00
	75	30,680.00	1660	2,287.00	2,356.00
	100	36,740.00	1175	2,960.00	2,999.00
KS 1013	40	26,210.00	1438	2,053.00	1,387.00
	50	28,630.00	1455	2,121.00	1,387.00
	60	33,820.00	1573	2,164.00	2,356.00
	75	37,480.00	1643	2,287.00	2,356.00
	100	44,470.00	1998	2,960.00	2,999.00
	125*	52,980.00	2603	4,160.00	CF

**Please Note: AEGIS Pricing has been changed!**

►AEGIS Shaft Grounding Ring Option Prices - Note: Only available on Premium 3-Phase motors. AEGIS list adder is in addition to Premium Efficiency list adder.

\* See page 11 for AEGIS SGR Warranty Information

CF indicates Consult Factory for pricing

# KS Series Pumps – TEFC Motors

**Effective Date:** February 04, 2013

303-044

Page 4 of 11

## NEW LARGER KS SERIES PUMPS

1800 RPM		Standard (\$)		Premium (\$)		
Model No.	Motor H.P.	List Price	Approx. Wt./Lbs.	List Price	Approx. Wt./Lbs.	▶ * AEGIS SGR
KS 8016	75	38,310.00	2442	40,930.00	2489	2,356.00
	100	45,510.00	2779	49,050.00	2797	2,999.00
	125**	64,310.00	2885	65,620.00	3150	CF
	150**	67,540.00	3272	73,630.00	2350	CF
	200**	78,680.00	3435	86,150.00	3547	CF
	250**	95,690.00	3487	96,970.00	4096	CF
KS 1016	75	46,080.00	2632	48,790.00	2679	2,356.00
	100	54,450.00	2969	58,340.00	2987	2,999.00
	125**	63,970.00	3075	68,260.00	3340	CF
	150**	68,300.00	3462	70,630.00	3540	CF
	200**	72,320.00	3625	84,300.00	3737	CF
	250**	100,060.00	3677	110,980.00	4286	CF
	300**	139,310.00	4374	146,790.00	4466	CF
KS 1213	60	54,780.00	2974	56,890.00	2992	2,356.00
	75	57,860.00	3032	60,550.00	3079	2,356.00
	100	66,220.00	3369	70,120.00	3387	2,999.00
	125**	75,740.00	3740	80,010.00	3872	CF
	150**	80,070.00	3862	82,410.00	3940	CF
	200**	84,100.00	4034	96,080.00	4137	CF
	250**	111,310.00	4320	122,760.00	4686	CF
	300**	151,080.00	4774	158,540.00	4866	CF
KS 1217	250**	112,920.00	5372	114,200.00	5617	CF
	300**	147,660.00	5372	161,600.00	5617	CF
	350**	160,040.00	5372	168,780.00	5617	CF
	400**	198,190.00	8122	218,450.00	8642	CF
	450**	227,980.00	12922	251,960.00	13922	CF
	500**	260,150.00	12922	288,130.00	13922	CF
	600**	288,640.00	12922	320,210.00	13922	CF
KS 1415	150**	93,550.00	4340	95,880.00	4540	CF
	200**	97,560.00	4472	109,570.00	4737	CF
	250**	124,780.00	4637	136,230.00	5286	CF
	300**	164,550.00	5374	172,000.00	5466	CF
	350**	176,030.00	5405	227,560.00	5480	CF
	400**	211,370.00	5600	262,270.00	5740	CF
	450**	246,310.00	8330	265,490.00	8450	CF
	500**	270,120.00	8593	291,400.00	8750	CF

**Please Note: AEGIS Pricing has been changed!**

▶AEGIS Shaft Grounding Ring Option Prices - Note: Only available on Premium 3-Phase motors. AEGIS list adder is in addition to Premium Efficiency list adder.

\* See page 11 for AEGIS SGR Warranty Information

\*\* Motors over 100HP with AEGIS™ SGR require an insulated bearing on the opposite drive end. Consult Factory for Pricing.

CF indicates Consult Factory for pricing.

# KS Series Pumps – TEFC Motors

Effective Date: February 04, 2013

303-044

PAGE 5 of 11

3600 RPM				LIST ADDITIONS (\$)	
Model No.	Motor H.P.	List Price (\$) Three Phase (3)	Approx. Wt./Lbs.	Premium Efficiency (4)	* AEGIS SGR
KS 1506	2	6,420.00	180	674.00	849.00
	3	6,450.00	191	798.00	898.00
	5	6,730.00	214	1,049.00	898.00
	7.5	7,710.00	233	1,387.00	982.00
KS 1507	5	7,070.00	222	1,049.00	898.00
	7.5	8,060.00	241	1,387.00	982.00
	10	8,470.00	285	1,425.00	982.00
	15	9,550.00	323	1,688.00	1,149.00
KS 1509	7.5	8,070.00	246	1,387.00	982.00
	10	8,210.00	285	1,425.00	982.00
	15	9,450.00	323	1,688.00	1,149.00
	20	9,840.00	437	1,707.00	1,149.00
	25	10,190.00	519	1,725.00	1,391.00
	30	12,080.00	551	1,761.00	1,391.00
	40	14,640.00	643	3,050.00	1,387.00
KS 2006	3	6,260.00	199	798.00	898.00
	5	6,520.00	222	1,049.00	898.00
	7.5	7,320.00	241	1,387.00	982.00
	10	7,660.00	285	1,425.00	982.00
KS 2007	7.5	7,480.00	252	7,480.00	982.00
	10	7,840.00	296	1,425.00	982.00
	15	8,510.00	334	1,688.00	1,149.00
	20	10,290.00	461	1,707.00	1,149.00
	25	11,140.00	543	1,725.00	1,391.00
KS 2009	10	8,010.00	276	1,425.00	982.00
	15	8,690.00	315	1,688.00	1,149.00
	20	9,740.00	357	1,707.00	1,149.00
	25	9,970.00	471	1,725.00	1,391.00
	30	10,660.00	553	1,761.00	1,391.00
	40	12,840.00	585	3,050.00	1,387.00
KS 2508	30	13,040.00	567	1,761.00	1,391.00
	40	16,180.00	595	3,050.00	1,387.00
	50	18,630.00	768	3,720.00	1,387.00
	60	Only available in ODP. See Price Sheet 303-043.			
KS 3006	5	7,070.00	286	1,049.00	898.00
	7.5	7,860.00	305	1,387.00	982.00
	10	8,090.00	351	1,425.00	982.00
	15	Only available in ODP. See Price Sheet 303-043.			

**Please Note: AEGIS Pricing has been changed!**

▶ AEGIS Shaft Grounding Ring Option Prices - Note: Only available on Premium 3-Phase motors. AEGIS list adder is in addition to Premium Efficiency list adder.

\* See page 11 for AEGIS SGR Warranty Information

3) 1½ HP through 15 HP, STANDARD EFFICIENCY, are 208-230/460/60/3 TEFC motors. 20 HP through 100 HP, STANDARD EFFICIENCY, are 230/460/60/3 TEFC motors. For all three phase motors: 1.10 SF @ 208V, 1.15 SF @ 230/460V.

4) 1½ HP through 100 HP, PREMIUM EFFICIENCY, are 230/460/60/3 TEFC motors. For all three phase motors: 1.15 SF @ 230/460V.



# KS Series Pumps – TEFC Motors

**Effective Date:** February 04, 2013

303-044

PAGE 6 of 11

3600 RPM (CONT.)				LIST ADDITIONS (\$)	
Model No.	Motor H.P.	List Price (\$) Three Phase (3)	Approx. Wt./Lbs.	Premium Efficiency (4)	* AEGIS SGR
KS 3007	10	8,400.00	315	1,425.00	982.00
	15	9,410.00	353	1,688.00	1,149.00
	20	10,160.00	479	1,707.00	1,149.00
	25	10,910.00	561	1,725.00	1,391.00
	30	12,710.00	596	1,761.00	1,391.00
	40	13,710.00	688	3,050.00	1,387.00
KS 3009	15	10,040.00	371	1,688.00	1,149.00
	20	10,650.00	500	1,707.00	1,149.00
	25	11,320.00	582	1,725.00	1,391.00
	30	11,890.00	633	1,761.00	1,391.00
	40	13,790.00	725	3,050.00	1,387.00
	50	15,460.00	898	3,720.00	1,387.00
KS 4007	15	10,400.00	392	1,688.00	1,149.00
	20	11,090.00	513	1,707.00	1,149.00
	25	11,750.00	595	1,725.00	1,391.00
	30	12,300.00	647	1,761.00	1,391.00
	40	14,770.00	739	3,050.00	1,387.00
	50	16,920.00	912	3,720.00	1,387.00
KS 4075	30	13,040.00	647	1,761.00	1,391.00
	40	15,500.00	739	3,050.00	1,387.00
	50	17,560.00	912	3,720.00	1,387.00
	60	Only available in ODP. See Price Sheet 303-043.			
KS 4009	25	11,530.00	618	1,725.00	1,391.00
	30	14,020.00	660	1,761.00	1,391.00
	40	15,150.00	752	3,050.00	1,387.00
	50	16,910.00	925	3,720.00	1,387.00
KS 5007	20	10,960.00	569	1,707.00	1,149.00
	25	11,140.00	651	1,725.00	1,391.00
	30	14,220.00	686	1,761.00	1,391.00
	40	15,010.00	778	3,050.00	1,387.00
	50	17,140.00	951	3,720.00	1,387.00
	60	Only available in ODP. See Price Sheet 303-043.			
KS 5075	25	11,640.00	651	1,725.00	1,391.00
	30	14,730.00	686	1,761.00	1,391.00
	40	15,500.00	778	3,050.00	1,387.00
	50	17,610.00	951	3,720.00	1,387.00
	60	Only available in ODP. See Price Sheet 303-043.			

**Please Note: AEGIS Pricing has been changed!**

► AEGIS Shaft Grounding Ring Option Prices - Note: Only available on Premium 3-Phase motors. AEGIS list adder is in addition to Premium Efficiency list adder.

\* See page 11 for AEGIS SGR Warranty Information

3) 1½ HP through 15 HP, STANDARD EFFICIENCY, are 208-230/460/60/3 TEFC motors. 20 HP through 100 HP, STANDARD EFFICIENCY, are 230/460/60/3 TEFC motors. For all three phase motors: 1.10 SF @ 208V, 1.15 SF @ 230/460V.

4) 1½ HP through 100 HP, PREMIUM EFFICIENCY, are 230/460/60/3 TEFC motors. For all three phase motors: 1.15 SF @ 230/460V.

# KS Series Pumps – TEFC Motors

Effective Date: February 04, 2013

303-044

PAGE 7 of 11

1200 RPM				LIST ADDITIONS (\$)	
Model No.	Motor H.P.	List Price (\$) Three Phase (5)	Approx. Wt./Lbs.	Premium Efficiency (6)	* AEGIS SGR
KS 1507	1	6,460.00	189	667.00	849.00
KS 1509	1	7,170.00	193	667.00	849.00
	1.5	7,420.00	205	683.00	898.00
KS 2007	1	6,660.00	200	667.00	849.00
	1.5	6,700.00	214	683.00	898.00
KS 2009	1	7,430.00	218	667.00	849.00
	1.5	7,470.00	232	683.00	898.00
KS 2011	1	7,980.00	251	667.00	849.00
	1.5	8,090.00	265	683.00	898.00
	2	8,210.00	290	695.00	898.00
	3	8,470.00	327	1,097.00	982.00
KS 2508	1	7,520.00	223	667.00	849.00
	1.5	7,710.00	237	683.00	898.00
	2	7,860.00	262	695.00	898.00
	3	8,270.00	299	1,097.00	982.00
KS 2510	2	8,370.00	277	695.00	898.00
	3	8,640.00	314	1,097.00	982.00
	5	9,200.00	327	1,591.00	982.00
KS 3007	1	7,090.00	224	667.00	849.00
	1.5	7,170.00	238	683.00	898.00
KS 3009	1	7,720.00	242	667.00	849.00
	1.5	7,860.00	256	683.00	898.00
	2	8,010.00	281	695.00	898.00
KS 3011	1.5	8,510.00	310	683.00	898.00
	2	8,640.00	335	695.00	898.00
	3	8,890.00	366	1,097.00	982.00
	5	9,550.00	379	1,591.00	982.00
KS 3013	2	13,180.00	386	695.00	898.00
	3	14,070.00	430	1,097.00	982.00
	5	14,680.00	443	1,591.00	982.00
	7.5	17,610.00	471	2,213.00	1,149.00
KS 4007	1	7,710.00	258	667.00	849.00
	1.5	7,840.00	272	683.00	898.00
	2	8,000.00	297	695.00	898.00
KS 4075	1	8,160.00	269	667.00	849.00
	1.5	8,310.00	285	683.00	898.00
	2	8,430.00	303	695.00	898.00
	3	8,690.00	339	1,097.00	982.00

**Please Note: AEGIS Pricing has been changed!**

► AEGIS Shaft Grounding Ring Option Prices - Note: Only available on Premium 3-Phase motors. AEGIS list adder is in addition to Premium Efficiency list adder.

\* See page 11 for AEGIS SGR Warranty Information

5) ½ HP through 5 HP, STANDARD EFFICIENCY, are 208-230/460/60/3 TEFC motors. 7½ HP is 230/460/60/3. Consult factory for availability of all 1150 RPM motors. For all three phase motors: 1.0 SF @ 208V, 1.15 SF @ 230/460/60/3.

6) ½ HP through 7½ HP, PREMIUM EFFICIENCY, are 230/460/60/3 TEFC motors. Consult factory for availability of all premium efficient motors.

# KS Series Pumps – TEFC Motors

Effective Date: February 04, 2013

303-044

PAGE 8 of 11

1200 RPM (CONT.)				LIST ADDITIONS (\$)	
Model No.	Motor H.P.	List Price (\$) Three Phase (5)	Approx. Wt./Lbs.	Premium Efficiency (6)	* AEGIS SGR
KS 4009	1	8,640.00	279	667.00	849.00
	1.5	8,810.00	293	683.00	898.00
	2	8,940.00	318	695.00	898.00
	3	9,190.00	355	1,097.00	982.00
	5	9,870.00	368	1,591.00	982.00
KS 4011	2	10,190.00	387	1,097.00	898.00
	3	10,460.00	424	1,118.00	982.00
	5	11,110.00	437	1,591.00	982.00
	7.5	11,980.00	474	2,213.00	1,149.00
KS 4013	3	14,460.00	463	1,097.00	982.00
	5	15,190.00	476	1,591.00	982.00
	7.5	15,810.00	513	2,213.00	1,149.00
	10	18,240.00	565	2,351.00	1,149.00
KS 5007	1	8,850.00	317	667.00	849.00
	1.5	9,010.00	331	683.00	898.00
	2	9,120.00	356	695.00	898.00
	3	9,430.00	393	1,097.00	982.00
KS 5075	1	9,000.00	317	667.00	849.00
	1.5	9,160.00	331	683.00	898.00
	2	9,300.00	356	695.00	898.00
	3	9,590.00	397	1,097.00	982.00
KS 5095	3	11,070.00	413	1,097.00	982.00
	5	11,640.00	426	1,591.00	982.00
	7.5	12,450.00	449	2,213.00	1,149.00
KS 6009	2	12,910.00	453	695.00	898.00
	3	13,760.00	466	1,097.00	982.00
	5	14,370.00	510	1,591.00	982.00
	7.5	17,120.00	562	2,213.00	1,149.00
KS 6011	3	13,670.00	520	1,097.00	982.00
	5	14,480.00	533	1,591.00	982.00
	7.5	15,100.00	576	2,213.00	1,149.00
	10	17,890.00	828	2,351.00	1,149.00

**Please Note: AEGIS Pricing has been changed!**

► AEGIS Shaft Grounding Ring Option Prices - Note: Only available on Premium 3-Phase motors. AEGIS list adder is in addition to Premium Efficiency list adder.

\* See page 11 for AEGIS SGR Warranty Information

- 5) ½ HP through 5 HP, STANDARD EFFICIENCY, are 208-230/460/60/3 TEFC motors. 7½ HP is 230/460/60/3. Consult factory for availability of all 1150 RPM motors. For all three phase motors: 1.0 SF @ 208V, 1.15 SF @ 230/460/60/3.
- 6) ½ HP through 7½ HP, PREMIUM EFFICIENCY, are 230/460/60/3 TEFC motors. Consult factory for availability of all premium efficient motors.

# KS Series Pumps – TEFC Motors

Effective Date: February 04, 2013

303-044

PAGE 9 of 11

1200 RPM (CONT.)				LIST ADDITIONS (\$)	
Model No.	Motor H.P.	List Price (\$) Three Phase (5)	Approx. Wt./Lbs.	Premium Efficiency (6)	* AEGIS SGR
KS 6013	5	16,450.00	603	1,591.00	982.00
	7.5	17,050.00	631	2,213.00	1,149.00
	10	19,480.00	683	2,351.00	1,149.00
	15	21,300.00	804	2,530.00	1,391.00
	20	21,810.00	848	2,720.00	1,391.00
KS 8011	7.5	17,650.00	706	2,213.00	1,149.00
	10	20,180.00	758	2,351.00	1,149.00
	15	21,860.00	888	2,530.00	1,391.00
KS 8013	10	22,330.00	920	2,351.00	1,149.00
	15	23,220.00	1041	2,530.00	1,391.00
	20	23,730.00	1085	2,720.00	1,391.00
	25	25,240.00	1208	2,960.00	1,387.00
KS 1013	10	23,380.00	1038	2,351.00	1,149.00
	15	25,740.00	1144	2,530.00	1,391.00
	20	27,010.00	1188	2,720.00	1,391.00
	25	28,330.00	1260	2,960.00	1,387.00
	30	32,270.00	1305	3,090.00	1,387.00
	40	36,910.00	1362	3,340.00	2,356.00

**Please Note: AEGIS Pricing has been changed!**

► AEGIS Shaft Grounding Ring Option Prices - Note: Only available on Premium 3-Phase motors. AEGIS list adder is in addition to Premium Efficiency list adder.

\* See page 11 for AEGIS SGR Warranty Information

5) ½ HP through 5 HP, STANDARD EFFICIENCY, are 208-230/460/60/3 TEFC motors. 7½ HP is 230/460/60/3. Consult factory for availability of all 1150 RPM motors. For all three phase motors: 1.0 SF @ 208V, 1.15 SF @ 230/460/60/3.

6) ½ HP through 7½ HP, PREMIUM EFFICIENCY, are 230/460/60/3 TEFC motors. Consult factory for availability of all premium efficient motors.

Additional pump pricing on following page.

# KS Series Pumps – TEFC Motors

Effective Date: February 04, 2013

303-044

PAGE 10 of 11

## NEW LARGER KS SERIES PUMPS

1200 RPM		Standard (\$)		Premium (\$)		
Model No.	Motor H.P.	List Price	Approx. Wt./Lbs.	List Price	Approx. Wt./Lbs.	* AEGIS SGR
KS 8016	25	29,150.00	2061	35,510.00	2170	1,387.00
	30	34,120.00	2182	38,030.00	2190	1,387.00
	40	36,000.00	2356	42,820.00	2417	2,356.00
	50	41,970.00	2382	47,800.00	2441	2,356.00
	60	48,050.00	2655	53,980.00	2667	2,999.00
	75	51,770.00	2703	59,750.00	2753	2,999.00
KS 1016	25	40,780.00	2251	43,410.00	2360	1,387.00
	30	43,670.00	2372	45,930.00	2380	1,387.00
	40	45,470.00	2546	50,550.00	2607	2,356.00
	50	50,380.00	2572	55,440.00	2631	2,356.00
	60	55,880.00	2845	60,790.00	2857	2,999.00
	75	63,180.00	2893	69,670.00	2943	2,999.00
	100	74,810.00	3436	85,360.00	3566	3,200.00
KS 1213	25	52,550.00	2651	55,180.00	2760	1,387.00
	30	55,450.00	2772	57,710.00	2789	1,387.00
	40	57,220.00	2946	62,310.00	3007	2,356.00
	50	62,150.00	2972	67,190.00	3031	2,356.00
	60	67,660.00	3245	72,540.00	3261	2,999.00
	75	74,970.00	3293	81,440.00	3343	2,999.00
KS 1217	75	69,000.00	4082	76,980.00	4198	2,999.00
	100	77,220.00	4586	82,350.00	4752	3,200.00
	125**	88,860.00	4586	95,440.00	4752	CF
	150**	98,420.00	4586	106,190.00	4752	CF
	200**	110,290.00	5372	119,560.00	5617	CF
KS 1415	75	88,430.00	3893	94,910.00	3943	2,999.00
	100	100,040.00	4436	110,620.00	4566	3,200.00
	125**	111,030.00	4467	117,010.00	4661	CF
	150**	120,060.00	4472	124,130.00	4698	CF
	200**	131,930.00	5258	141,200.00	5563	CF

### LIST PRICE ADDER FOR OPTIONAL INSIDE SEALS

MOTOR FRAME SIZE	EPT TUNSTEN CARBIDE SEAL (\$)	Silicon-Cabide/Carbon/PT (\$)
143-215	450.50	325.00
254-256	608.00	325.00
*** 284-365	608.00	325.00
404-449 and all KS 1213, 1217 & 1415	827.00	400.00
***Except KS 1213/1217/1415		

▶▶ New item added.

### OPTIONS

FLANGE SIZE	250lb. WORKING PRESSURE	^CASING WEAR RINGS (Bronze)
1.5" - 2.5"	827.00	563.00
3" - 5"	1,276.00	654.00
6" - 10"	1,501.00	889.00
12" - 14"	2,946.00	1,431.00

^Cast Iron Wear Rings come standard on 8" and above.

### Insulated Bearings

NEMA FRAME	List Adder (\$) (per bearing)
143T-145T	1,078.00
182T-184T	1,424.00
213T-215T	1,917.00
254T-256T	3,150.00
284T-286T	3,960.00
324T-326T	4,410.00
364T-365T	4,570.00
404T-405T	CF
444T-445T	CF
447T-449T	CF

### Please Note: AEGIS Pricing has been changed!

▶AEGIS Shaft Grounding Ring Option Prices - Note: Only available on Premium 3-Phase motors. AEGIS list adder is in addition to Premium Efficiency list adder.

\* See page 11 for AEGIS SGR Warranty Information

\*\* Motors over 100HP with AEGIS™ SGR require an insulated bearing on the opposite drive end to qualify for AEGIS™ SGR Warranty. See **Insulated Bearing Adders** table.

CF = indicates Consult Factory for pricing.

### LIST PRICE ADDER FOR OUTSIDE MECHANICAL SEALS & CERTIFIED TEST CURVES

MOTOR FRAME SIZE (CODE)	NI-RESIST SEAL	CERAMIC SEAL	TUNGSTEN SEAL	SILICON-CARBIDE SEAL ▶▶	CERTIFIED TEST CURVES
143-215 (H, J)	654.00	1,452.00	2,269.00	1,944.00	2,118.00
254-326 (K, L, M)	1,030.00	1,987.00	2,710.00	2,400.00	2,600.00
364-449 (N, P)	1,312.00	2,590.00	3,550.00	3,123.00	2,860.00

# KS Series Pumps – TEFC Motors

Effective Date: February 04, 2013

303-044

PAGE 11 of 11

## LIST PRICE ADDER FOR SUPPORT STAND

PUMP MODEL	PART NUMBER	LIST PRICE (\$)	SUPPORT STAND WEIGHT
KS1013	953-3969	1,286.00	100 LBS
KS1016	953-3969	1,286.00	100 LBS
KS1213	953-3996	3,760.00	311 LBS
KS1217	953-3970	4,020.00	343 LBS
KS1415	953-3995	3,760.00	311 LBS
KS1506	953-3907	287.50	10 LBS
KS1507	953-4062	287.50	10 LBS
KS1509	953-4062	287.50	10 LBS
KS2006	953-3986	386.00	19 LBS
KS2007	953-4063	386.00	19 LBS
KS2009	953-3986	386.00	19 LBS
KS2011	953-3985	386.00	19 LBS
KS2508	953-4064	386.00	19 LBS
KS2510	953-3967	476.50	26 LBS
KS3006	953-4066	476.50	26 LBS
KS3007	953-4063	386.00	19 LBS
KS3009	953-3983	476.50	26 LBS
KS3011	953-4065	476.50	26 LBS
KS3013	953-3973	774.00	47 LBS
KS4007	953-3966	386.00	19 LBS
KS4009	953-3974	774.00	47 LBS
KS4011	953-3976	774.00	47 LBS
KS4013	953-4067	774.00	47 LBS
KS4075	953-3967	476.50	26 LBS
KS5007	953-4068	964.00	66 LBS
KS5075	953-4068	964.00	66 LBS
KS5095	953-4068	964.00	66 LBS
KS6009	953-3968	964.00	66 LBS
KS6011	953-3988	964.00	66 LBS
KS6013	953-4069	964.00	66 LBS
KS8011	953-3991	1,286.00	100 LBS
KS8013	953-4070	1,286.00	100 LBS
KS8016	953-3989	1,286.00	100 LBS

\* Baldor Electric Company's warranty covers manufacturing defects of their motors. Performance of the AEGIS™ shaft grounding ring is covered by the following warranty from Electro Static Technology.

Electro Static Technology guarantees any new motor up to 100 HP will not fail from electrical bearing fluting damage for the expected normal bearing life of the original motor bearings when the AEGIS™ SGR Bearing Protection ring is installed. If electrically induced fluting damage occurs, Electro Static Technology will replace motor bearings.

**Guarantee is subject to the terms and conditions of the AEGIS™ SGR Guarantee Program:**

1. Electrically induced fluting damage must be verified by EST or an authorized entity to qualify for bearing replacement. EST shall not be liable for greater than 35% of the original cost of the motor or the Vaughen's National Average Price to furnish and install two (2) standard ball bearings.

2. To qualify for the AEGIS™ SGR Bearing Protection Ring performance guarantee, all motors with AEGIS™ SGR Bearing Protection Ring install must be registered within 30 days of placing the new motor into service. Proof of purchase is required. Register online to qualify for this performance guarantee. <http://www.west-aegis.com/registerform.cfm>

**Do it Once. Do it Right.™**

TACO INC., 1160 Cranston Street, Cranston, RI 02920 Telephone: (401) 942-8000 Fax: (401) 942-2360  
TACO (Canada), Ltd., 8450 Lawson Road, Milton, Ontario L9T 0J8 Telephone: (905) 564-9422 Fax: (905) 564-9436  
Visit our website at: [www.taco-hvac.com](http://www.taco-hvac.com)

Printed in USA

Copyright 2007

TACO, Inc.



## Suggested List Prices

303-045

# KV Pump Kits

Supersedes: January 31, 2011

Updated: March 20, 2013

Effective: February 04, 2013

CASING KIT		IMPELLER AND SEAL KIT				COVER KIT					
PART NO.	PRICE (\$)	PART NO.	PRICE (\$)	PART NO.	PRICE (\$)	PART NO.	PRICE (\$)	PART NO.	PRICE (\$)	PART NO.	PRICE (\$)
KP2002	2,344.00	KP4033	2,570.00	KP8053	1,761.00	KP3000	522.00	KP3059	366.00	KP3124	499.00
KP2006	2,660.00	KP4034	2,600.00	KP8054	1,722.00	KP3001	574.00	KP3060	418.00	KP3125	552.00
KP2010	4,170.00	KP4500	1,050.00	KP8055	1,191.00	KP3002	645.00	KP3061	453.50	KP3126	701.00
KP2014	1,655.00	KP4501	1,074.00	KP8056	1,213.00	KP3003	827.00	KP3062	679.00	KP3127	692.00
KP2018	2,004.00	KP8021	659.00	KP8057	1,282.00	KP3004	697.00	KP3063	436.00	KP3128	675.00
KP2022	2,910.00	KP8022	701.00	KP8058	1,307.00	KP3005	854.00	KP3064	418.00	KP3129	778.00
KP2030	410.00	KP8023	852.00	KP8059	1,069.00	KP3006	1,098.00	KP3065	436.00	KP3130	401.50
KP2034	427.00	KP8024	800.00	KP8060	1,095.00	KP3007	863.00	KP3066	679.00	KP3131	428.00
KP2038	660.00	KP8025	901.00	KP8061	1,632.00	KP3008	1,098.00	KP3067	444.00	KP3132	443.50
KP2042	427.00	KP8026	1,020.00	KP8062	1,656.00	KP3009	888.00	KP3068	487.00	KP3133	681.00
KP2046	540.00	KP8027	1,073.00	KP8063	1,718.00	KP3010	948.00	KP3069	558.00	KP3134	401.50
KP2050	740.00	KP8028	1,390.00	KP8064	1,745.00	KP3011	1,045.00	KP3070	726.00	KP3135	428.00
KP2054	934.00	KP8029	1,125.00	KP8065	1,347.00	KP3012	1,195.00	KP3071	453.50	KP3136	443.50
KP2058	1,603.00	KP8030	1,198.00	KP8066	1,401.00	KP3013	948.00	KP3072	540.00	KP3137	681.00
KP2062	619.00	KP8031	1,251.00	▶ KP4035	3,128.00	KP3014	1,045.00	KP3073	566.00	KP3138	495.00
KP2066	872.00	KP8032	1,467.00			KP3015	1,195.00	KP3074	732.00	KP3139	566.00
KP2070	1,237.00	KP8033	1,133.00			KP3016	948.00	KP3075	470.00	KP3140	630.00
KP2074	777.00	KP8034	1,446.00			KP3017	1,054.00	KP3076	549.00	KP3141	625.00
KP2078	1,080.00	KP8035	1,378.00			KP3018	1,195.00	KP3077	599.00	KP3142	679.00
KP2082	1,698.00	KP8036	1,550.00			KP3020	1,195.00	KP3078	732.00	KP3143	752.00
KP2086	450.00	KP8037	1,702.00			KP3035	444.00	KP3079	645.00	KP3144	934.00
KP2094	827.00	KP8038	1,655.00			KP3036	470.00	KP3080	609.00	KP3157	787.00
KP2098	1,119.00	KP8040	930.00			KP3039	479.00	KP3081	716.00	▶ KP3019	1,468.00
KP2102	1,125.00	KP8041	1,036.00			KP3040	505.00	KP3083	716.00		
KP2106	1,751.00	KP8042	1,099.00			KP3043	479.00	KP3084	672.00		
KP2110	1,820.00	KP8043	1,446.00			KP3044	497.50	KP3085	802.00		
KP2114	2,530.00	KP8044	1,308.00			KP3047	366.00	KP3086	926.00		
▶ KP2026	3,754.00	KP8045	1,273.00			KP3048	410.00	KP3087	716.00		
		KP8046	1,629.00			KP3051	366.00	KP3088	679.00		
		KP8047	1,813.00			KP3052	463.00	KP3089	783.00		
		KP8048	1,218.00			KP3053	436.00	KP3090	926.00		
		KP8049	1,502.00			KP3055	366.00	KP3120	440.00		
		KP8050	1,544.00			KP3056	418.00	KP3121	483.50		
		KP8051	1,931.00			KP3057	453.50	KP3122	550.00		
		KP8052	2,530.00			KP3058	679.00	KP3123	467.00		

▶ Indicates new items added.

All prices subject to change without notice.

TACO INC., 1160 Cranston Street, Cranston, RI 02920 Telephone: (401) 942-8000 Fax: (401) 942-2360  
 TACO (Canada), Ltd., 8450 Lawson Road, Milton, Ontario L9T 0J8 Telephone: (905) 564-9422 Fax: (905) 564-9436  
 Visit our website at: www.taco-hvac.com

Printed in USA  
 Copyright 2006  
 TACO, Inc.

# KV PUMP KITS

Effective Date: February 04, 2013

303-045

PAGE 2 OF 2

## Pump Support Stands

PUMP MODEL.	PART NO.	PRICE (\$)
KV1506	953-3907RP	289.50
KV1507	953-4062RP	289.50
KV1509	953-4062RP	289.50
KV2006	953-3986RP	388.50
KV2007	953-4063RP	388.50
KV2009	953-3986RP	388.50
KV2011	953-3985RP	388.50
KV2508	953-4064RP	388.50
KV2510	953-3967RP	480.00
KV3006	953-4066RP	480.00
KV3007	953-4063RP	388.50
KV3009	953-3983RP	480.00
KV3011	953-4065RP	480.00
KV3013	953-3973RP	780.00
KV4007	953-3966RP	388.50
KV4075	953-3967RP	480.00
KV4009	953-3974RP	780.00
KV4011	953-3976RP	780.00
KV4013	953-4067RP	780.00
KV5007	953-4068RP	972.00
KV5075	953-4068RP	972.00
KV5095	953-4068RP	972.00
KV6009	953-3968RP	972.00
KV6011	953-3988RP	972.00
KV6013	953-4069RP	972.00
KV8011	953-3991RP	1,297.00
KV8013	953-4070RP	1,297.00

## TEFC MOTOR DRIP CAPS Ships Unmounted

PART NUMBER	MOTOR FRAME SIZE	LIST PRICE (\$)
951-6381RP	143-145	165.00
951-6382RP	182-184	192.00
951-6383RP	213-256	252.00
	284 and above	Consult Factory

**Do it Once. Do it Right.™**

TACO INC., 1160 Cranston Street, Cranston, RI 02920 Telephone: (401) 942-8000 Fax: (401) 942-2360  
TACO (Canada), Ltd., 8450 Lawson Road, Unit 3, Milton, Ontario L9T 0J8 Telephone: (905) 564-9422 Fax: (905) 564-9436  
Visit our website at: [www.taco-hvac.com](http://www.taco-hvac.com)





# Suggested List Prices

## CI Series Pumps

Supersedes: January 31, 2011

Updated: January 19, 2015

Effective: February 04, 2013

1800 RPM							
MODEL NUMBER (S x D)**	HP	LIST PRICE*** THREE PHASE	APPROX. WT. (lbs)	LIST ADDITIONS (\$)			
				TEFC	PREMIUM EFFICIENCY	▶ ODP w/ *AEGIS SGR	▶ TEFC w/ *AEGIS SGR
1206 (2" x 1.25")	.5	2,272.00	96	138.50	154.50	581.00	581.00
	.75	2,272.00	96	138.50	154.50	581.00	581.00
	1	2,272.00	96	138.50	154.50	581.00	581.00
1207 (2" x 1.25")	1	2,445.00	101	138.50	154.50	581.00	581.00
	1.5	2,492.00	105	157.50	198.50	581.00	581.00
	2	2,610.00	105	198.00	244.50	581.00	581.00
1209 (1.5" x 1.25")	3	2,910.00	120	235.50	272.50	614.00	614.00
	1.5	3,028.00	138	151.50	191.00	559.00	559.00
	2	3,175.00	138	190.50	235.00	559.00	559.00
1506 (2.5" x 1.5")	3	3,440.00	154	226.50	262.00	590.00	590.00
	5	3,587.00	177	273.00	296.00	590.00	590.00
	.5	2,299.00	96	138.50	154.50	581.00	581.00
1507 (2.5" x 1.5")	.75	2,299.00	96	138.50	154.50	581.00	581.00
	1	2,299.00	96	138.50	154.50	581.00	581.00
	1.5	2,384.00	100	157.50	198.50	581.00	581.00
1509 (2.5" x 1.5")	1	2,540.00	115	138.50	154.50	581.00	581.00
	1.5	2,570.00	118	157.50	198.50	581.00	581.00
	2	2,740.00	118	198.00	244.50	581.00	581.00
1509 (2.5" x 1.5")	3	3,060.00	134	235.50	272.50	614.00	614.00
	1.5	3,210.00	141	157.50	198.50	581.00	581.00
	2	3,370.00	141	198.00	244.50	581.00	581.00
	3	3,650.00	157	235.50	272.50	614.00	614.00
	5	3,810.00	181	284.00	308.50	614.00	614.00
	7.5	5,000.00	240	336.50	380.00	672.00	672.00

**STANDARD SPECIFICATIONS:**  
CAST IRON CASING  
BRONZE IMPELLER  
BRONZE SHAFT SLEEVE  
CERAMIC MECHANICAL SEAL  
BALL BEARING JM FRAME MOTOR.

### 1800 & 3600 RPM

\*\*\* Price is for pump with factory choice ODP standard efficiency motor. See below for pricing procedure of other motor options.

For pump with ODP premium efficiency motor, add price in "PREMIUM EFFICIENCY" column to "LIST PRICE" column.

For pump with TEFC standard efficiency motor, add price in "TEFC" column to "LIST PRICE" column.

For pump with TEFC premium efficiency motor, add prices in "TEFC" column and "PREMIUM EFFICIENCY" columns to "LIST PRICE" column.

If you require an AEGIS Shaft Grounding Ring, add appropriate AEGIS adder to List Price.

▶ AEGIS Shaft Grounding Ring Option Prices - Note: Only available on Premium 3-Phase motors. AEGIS list adder is in addition to Premium Efficiency list adder.

\* See page 9 for AEGIS SGR Warranty Information.

\*\*S = Suction Flange Size      D = Discharge Flange Size

### PRICES SUBJECT TO CHANGE WITHOUT NOTICE.

- 1HP through 50HP, 1800 rpm, ODP and TEFC motors, standard and premium efficiency are 230/460/60/3 ("Usable" at 208 volts) **SEE CAUTION NOTE.**
- 1HP through 60HP, 3600 rpm, ODP motors, standard and premium efficiency are 230/460/60/3 ("Usable" at 208 volts) **SEE CAUTION NOTE.**
- 1HP through 30HP, 1200 rpm, ODP and TEFC motors, standard and premium efficiency are 230/460/60/3 ("Usable" at 208 volts) **SEE CAUTION NOTE.**
- All 3 phase motors, not exceeding nameplate amps, have a 1.15 service factor. Single phase motors not available in premium efficiency. Consult factory for lead time on pumps with single phase motors.

**CAUTION:** Exceeding the amp draw, for any operating voltage, listed on motor nameplate will result in reduced performance and efficiency. TACO strongly recommends using a straight 200 volt motor for all applications with 200 volt service.

# CI Series Pumps

Effective Date: February 04, 2013

303-060

PAGE 2 OF 9

## 1800 RPM

MODEL NUMBER (S x D)**	HP	LIST PRICE*** THREE PHASE	APPROX. WT. (lbs)	LIST ADDITIONS (\$)			
				TEFC	PREMIUM EFFICIENCY	▶ODP w/ *AEGIS SGR	▶TEFC w/ *AEGIS SGR
1511 (2.5" x 1.5")	3	3,890.00	182	235.50	272.50	614.00	614.00
	5	4,230.00	206	284.00	308.50	614.00	614.00
	7.5	5,290.00	252	336.50	380.00	672.00	672.00
	10	5,510.00	259	456.50	426.00	672.00	672.00
	15	6,850.00	375	651.00	679.00	786.00	786.00
2007 (2.5" x 2")	1	2,680.00	113	138.50	154.50	581.00	581.00
	1.5	2,770.00	117	157.50	198.50	581.00	581.00
	2	2,860.00	121	198.00	244.50	581.00	581.00
	3	3,140.00	129	235.50	272.50	614.00	614.00
	5	3,590.00	150	284.00	308.50	614.00	614.00
2009 (2.5" x 2")	1.5	3,410.00	123	157.50	198.50	581.00	581.00
	2	3,590.00	132	198.00	244.50	581.00	581.00
	3	3,810.00	147	235.50	272.50	614.00	614.00
	5	4,070.00	168	284.00	308.50	614.00	614.00
	7.5	5,110.00	201	336.50	380.00	672.00	672.00
2013C (3" x 2")	10	6,220.00	358	456.50	426.00	672.00	672.00
	15	7,600.00	468	651.00	679.00	786.00	786.00
	20	8,680.00	518	832.00	808.00	786.00	786.00
	25	10,120.00	630	1,086.00	889.00	952.00	952.00
	30	11,100.00	676	3,790.00	935.00	952.00	952.00
2506 (3" x 2.5")	.75	2,570.00	108	138.50	154.50	581.00	581.00
	1	2,570.00	108	138.50	154.50	581.00	581.00
	1.5	2,630.00	111	157.50	198.50	581.00	581.00
	2	2,710.00	111	198.00	244.50	581.00	581.00
2507 (3" x 2.5")	2	2,930.00	112	198.00	244.50	581.00	581.00
	3	3,240.00	128	235.50	272.50	614.00	614.00
	5	3,670.00	152	284.00	308.50	614.00	614.00
	7.5	4,840.00	210	336.50	380.00	672.00	672.00
2508 (3" x 2.5")	3	3,720.00	163	235.50	272.50	614.00	614.00
	5	4,060.00	183	284.00	308.50	614.00	614.00
	7.5	4,970.00	239	336.50	380.00	672.00	672.00
	10	5,410.00	250	456.50	426.00	672.00	672.00
2509 (3" x 2.5")	2	3,760.00	150	198.00	244.50	581.00	581.00
	3	3,990.00	165	235.50	272.50	614.00	614.00
	5	4,300.00	190	284.00	308.50	614.00	614.00
	7.5	5,200.00	248	336.50	380.00	672.00	672.00
	10	5,620.00	259	456.50	426.00	672.00	672.00
2510 (3" x 2.5")	5	4,510.00	197	284.00	308.50	614.00	614.00
	7.5	5,490.00	263	336.50	380.00	672.00	672.00
	10	5,820.00	311	456.50	426.00	672.00	672.00
	15	6,740.00	421	651.00	679.00	786.00	786.00
	20	7,760.00	473	832.00	808.00	786.00	786.00
2513 (3" x 2.5")	7.5	5,670.00	380	336.50	380.00	672.00	672.00
	10	5,820.00	386	456.50	426.00	672.00	672.00
	15	7,200.00	496	651.00	679.00	786.00	786.00
	20	8,280.00	546	832.00	808.00	786.00	786.00
	25	9,720.00	658	1,086.00	889.00	952.00	952.00

▶AEGIS Shaft Grounding Ring Option Prices - Note: Only available on Premium 3-Phase motors. AEGIS list adder is in addition to Premium Efficiency list adder.

\* See page 9 for AEGIS SGR Warranty Information.

\*\* S = Suction Flange Size, D = Discharge Flange Size

## 1800 & 3600 RPM

\*\*\* Price is for pump with factory choice ODP standard efficiency motor. See below for pricing procedure of other motor options.

For pump with ODP premium efficiency motor, add price in "PREMIUM EFFICIENCY" column to "LIST PRICE" column.

For pump with TEFC standard efficiency motor, add price in "TEFC" column to "LIST PRICE" column.

For pump with TEFC premium efficiency motor, add prices in "TEFC" column and "PREMIUM EFFICIENCY" columns to "LIST PRICE" column.

If you require an AEGIS Shaft Grounding Ring, add appropriate AEGIS adder to List Price.

Model Number information added back

# CI Series Pumps

Effective Date: February 04, 2013

303-060

PAGE 3 OF 9

## 1800 RPM

MODEL NUMBER (S x D)**	HP	LIST PRICE*** THREE PHASE	APPROX. WT. (lbs)	LIST ADDITIONS (\$)			
				TEFC	PREMIUM EFFICIENCY	ODP w/ *AEGIS SGR	TEFC w/ *AEGIS SGR
3007 (4" x 3")	2	3,170.00	143	198.00	244.50	581.00	581.00
	3	3,420.00	159	235.50	272.50	614.00	614.00
	5	3,840.00	183	284.00	308.50	614.00	614.00
	7.5	4,990.00	240	336.50	380.00	672.00	672.00
3009 (4" x 3")	3	4,260.00	168	235.50	272.50	614.00	614.00
	5	4,510.00	192	284.00	308.50	614.00	614.00
	7.5	5,550.00	251	336.50	380.00	672.00	672.00
	10	5,840.00	257	456.50	426.00	672.00	672.00
	15	6,830.00	364	651.00	679.00	786.00	786.00
3011 (4" x 3")	7.5	5,970.00	306	336.50	380.00	672.00	672.00
	10	6,160.00	312	456.50	426.00	672.00	672.00
	15	7,420.00	429	651.00	679.00	786.00	786.00
	20	8,520.00	478	832.00	808.00	786.00	786.00
	25	9,670.00	600	1,086.00	889.00	952.00	952.00
3013 (4" x 3")	10	6,880.00	437	456.50	426.00	672.00	672.00
	15	7,800.00	547	651.00	679.00	786.00	786.00
	20	9,310.00	596	832.00	808.00	786.00	786.00
	25	10,650.00	709	1,086.00	889.00	952.00	952.00
	30	11,750.00	755	3,790.00	935.00	952.00	952.00
	40	14,140.00	870	3,960.00	1,136.00	1,007.00	1,007.00
4007 (5" x 4")	3	4,120.00	193	235.50	272.50	614.00	614.00
	5	4,570.00	217	284.00	308.50	614.00	614.00
	7.5	5,280.00	275	336.50	380.00	672.00	672.00
	10	5,700.00	281	456.50	426.00	672.00	672.00
4075 (5" x 4")	3	4,700.00	235	235.50	272.50	614.00	614.00
	5	5,290.00	244	284.00	308.50	614.00	614.00
	7.5	6,290.00	291	336.50	380.00	672.00	672.00
4009 (5" x 4")	10	6,470.00	291	456.50	426.00	672.00	672.00
	15	7,510.00	402	651.00	679.00	786.00	786.00
	20	8,420.00	451	832.00	808.00	786.00	786.00
	25	9,890.00	574	1,086.00	889.00	952.00	952.00
4011 (5" x 4")	15	7,070.00	425	651.00	679.00	786.00	786.00
	20	8,910.00	456	832.00	808.00	786.00	786.00
	25	10,220.00	573	1,086.00	889.00	952.00	952.00
	30	11,200.00	619	3,790.00	935.00	952.00	952.00
	40	13,380.00	701	3,960.00	1,136.00	1,007.00	1,007.00
	50	13,840.00	743	4,160.00	1,830.00	1,007.00	1,007.00
4013 (5" x 4")	7.5	6,900.00	431	336.50	380.00	672.00	672.00
	10	6,960.00	443	456.50	426.00	672.00	672.00
	15	7,920.00	545	651.00	679.00	786.00	786.00
	20	9,310.00	579	832.00	808.00	786.00	786.00
	25	11,000.00	603	1,086.00	889.00	952.00	952.00
	30	11,960.00	687	3,790.00	935.00	952.00	952.00
	40	14,230.00	837	3,960.00	1,136.00	1,007.00	1,007.00
	50	15,690.00	883	4,160.00	1,830.00	1,007.00	1,007.00
5007 (6" x 5")	3	4,840.00	262	235.50	272.50	614.00	614.00
	5	5,110.00	271	284.00	308.50	614.00	614.00
	7.5	5,680.00	318	336.50	380.00	672.00	672.00
	10	6,290.00	329	456.50	426.00	672.00	672.00

► AEGIS Shaft Grounding Ring Option Prices - Note: Only available on Premium 3-Phase motors. AEGIS list adder is in addition to Premium Efficiency list adder.

\* See page 9 for AEGIS SGR Warranty Information.

\*\* S = Suction Flange Size, D = Discharge Flange Size

## 1800 & 3600 RPM

\*\*\* Price is for pump with factory choice ODP standard efficiency motor. See below for pricing procedure of other motor options.

For pump with ODP premium efficiency motor, add price in "PREMIUM EFFICIENCY" column to "LIST PRICE" column.

For pump with TEFC standard efficiency motor, add price in "TEFC" column to "LIST PRICE" column.

For pump with TEFC premium efficiency motor, add prices in "TEFC" column and "PREMIUM EFFICIENCY" columns to "LIST PRICE" column.

If you require an AEGIS Shaft Grounding Ring, add appropriate AEGIS adder to List Price.

# CI Series Pumps

**Effective Date:** February 04, 2013

303-060

PAGE 4 OF 9

1800 RPM (con't)							
MODEL NUMBER (S x D)**	HP	LIST PRICE*** THREE PHASE	APPROX. WT. (lbs)	LIST ADDITIONS (\$)			
				TEFC	PREMIUM EFFICIENCY	▶ ODP w/ *AEGIS SGR	▶ TEFC w/ *AEGIS SGR
5009 (6" x 5")	5	5,430.00	270	284.00	308.50	614.00	614.00
	7.5	6,230.00	328	336.50	380.00	672.00	672.00
	10	6,510.00	334	456.50	426.00	672.00	672.00
	15	7,560.00	441	651.00	679.00	786.00	786.00
	20	8,470.00	490	832.00	808.00	786.00	786.00
5095 (6" x 5")	5	5,640.00	283	284.00	308.50	614.00	614.00
	7.5	6,430.00	330	336.50	380.00	672.00	672.00
	10	6,930.00	341	456.50	426.00	672.00	672.00
	15	7,940.00	446	651.00	679.00	786.00	786.00
	20	8,780.00	471	832.00	808.00	786.00	786.00
5011 (6" x 5")	25	10,260.00	598	1,086.00	889.00	952.00	952.00
	10	7,740.00	376	456.50	426.00	672.00	672.00
	15	8,230.00	493	651.00	679.00	786.00	786.00
	20	9,030.00	542	832.00	808.00	786.00	786.00
	25	10,500.00	664	1,086.00	889.00	952.00	952.00
5011 (6" x 5")	30	11,530.00	710	3,790.00	935.00	952.00	952.00
	40	13,940.00	825	3,960.00	1,136.00	1,007.00	1,007.00
	15	8,690.00	549	651.00	679.00	786.00	786.00
6009 (8" x 6")	20	9,460.00	574	832.00	808.00	786.00	786.00
	25	10,930.00	701	1,086.00	889.00	952.00	952.00
	30	11,950.00	738	3,790.00	935.00	952.00	952.00
	40	14,130.00	822	3,960.00	1,136.00	1,007.00	1,007.00
	20	11,890.00	691	832.00	808.00	786.00	786.00
6011 (8" x 6")	25	13,140.00	813	1,086.00	889.00	952.00	952.00
	30	14,010.00	859	3,790.00	935.00	952.00	952.00
	40	16,260.00	973	3,960.00	1,136.00	1,007.00	1,007.00
	50	16,710.00	1010	4,160.00	1,830.00	1,007.00	1,007.00

▶ AEGIS Shaft Grounding Ring Option Prices - Note: Only available on Premium 3-Phase motors. AEGIS list adder is in addition to Premium Efficiency list adder.

\* See page 9 for AEGIS SGR Warranty Information.

\*\* S = Suction Flange Size, D = Discharge Flange Size

### 1800 & 3600 RPM

\*\*\* Price is for pump with factory choice ODP standard efficiency motor. See below for pricing procedure of other motor options.

For pump with ODP premium efficiency motor, add price in "PREMIUM EFFICIENCY" column to "LIST PRICE" column.

For pump with TEFC standard efficiency motor, add price in "TEFC" column to "LIST PRICE" column.

For pump with TEFC premium efficiency motor, add prices in "TEFC" column and "PREMIUM EFFICIENCY" columns to "LIST PRICE" column.

If you require an AEGIS Shaft Grounding Ring, add appropriate AEGIS adder to List Price.

# CI Series Pumps

**Effective Date:** February 04, 2013

**303-060**

PAGE 5 OF 9

3600 RPM							
MODEL NUMBER (S x D)**	HP	LIST PRICE*** THREE PHASE	APPROX. WT. (lbs.)	LIST ADDITIONS (\$)			
				TEFC	PREMIUM EFFICIENCY	ODP w/ *AEGIS SGR	TEFC w/ *AEGIS SGR
1206 (2"x1.25")	2	2,359.00	105	208.00	272.50	581.00	581.00
	3	2,384.00	112	311.50	289.50	581.00	614.00
	5	2,850.00	133	372.50	336.50	614.00	614.00
	7.5	3,390.00	176	479.00	399.50	614.00	672.00
1207 (2"x1.25")	5	3,240.00	139	372.50	336.50	614.00	614.00
	7.5	3,790.00	180	479.00	399.50	614.00	672.00
	10	4,600.00	202	568.00	470.50	672.00	672.00
	15	5,010.00	300	N/A	717.00	672.00	786.00
1209 (1.5" x 1.25")	10	5,131.00	225	568.00	470.50	672.00	672.00
	15	5,321.00	331	742.00	717.00	672.00	786.00
	20	6,605.00	397	936.00	834.00	786.00	786.00
	25	7,428.00	515	1,320.00	922.00	786.00	952.00
	30	9,986.00	517	4,010.00	962.00	952.00	952.00
	40	11,515.00	625	4,200.00	1,161.00	952.00	1,007.00
1506 (2.5"x1.5")	3	2,712.00	112	311.50	289.50	581.00	614.00
	5	2,950.00	133	372.50	336.50	614.00	614.00
	7.5	3,590.00	176	479.00	399.50	614.00	672.00
	10	4,060.00	198	568.00	470.50	672.00	672.00
1507 (2.5"x1.5")	7.5	3,850.00	194	479.00	399.50	614.00	672.00
	10	4,700.00	216	568.00	470.50	672.00	672.00
	15	5,090.00	311	742.00	717.00	672.00	786.00
	20	6,190.00	378	936.00	834.00	786.00	786.00
	25	7,120.00	500	N/A	922.00	786.00	786.00
1509 (2.5"x1.5")	15	5,430.00	338	742.00	717.00	672.00	786.00
	20	6,740.00	405	936.00	834.00	786.00	786.00
	25	7,580.00	525	1,320.00	922.00	786.00	952.00
	30	10,190.00	527	4,010.00	962.00	952.00	952.00
	40	11,750.00	638	4,200.00	1,161.00	952.00	1,007.00
2007 (2.5"x2")	7.5	4,670.00	177	479.00	399.50	614.00	672.00
	10	5,110.00	199	568.00	470.50	672.00	672.00
	15	5,200.00	297	742.00	717.00	672.00	786.00
	20	6,290.00	353	936.00	834.00	786.00	786.00
	25	7,220.00	477	N/A	922.00	786.00	952.00
2009 (2.5"x2")	10	5,140.00	215	568.00	470.50	672.00	672.00
	15	5,500.00	311	742.00	717.00	672.00	786.00
	20	6,730.00	361	936.00	834.00	786.00	786.00
	25	7,710.00	485	1,320.00	922.00	786.00	952.00
	30	9,030.00	603	4,010.00	962.00	952.00	952.00
	40	10,650.00	693	4,200.00	1,161.00	952.00	1,007.00
	50	12,240.00	803	4,340.00	1,900.00	1,007.00	1,007.00
2506 (3"x2.5")	5	4,090.00	146	372.50	336.50	614.00	614.00
	7.5	4,450.00	189	479.00	399.50	614.00	672.00
	10	4,710.00	210	568.00	470.50	672.00	672.00
	15	5,170.00	310	N/A	717.00	672.00	786.00

►AEGIS Shaft Grounding Ring Option Prices - Note: Only available on Premium 3-Phase motors. AEGIS list adder is in addition to Premium Efficiency list adder.

\* See page 9 for AEGIS SGR Warranty Information.

\*\* S = Suction Flange Size, D = Discharge Flange Size

### 1800 & 3600 RPM

\*\*\* Price is for pump with factory choice ODP standard efficiency motor. See below for pricing procedure of other motor options.

For pump with ODP premium efficiency motor, add price in "PREMIUM EFFICIENCY" column to "LIST PRICE" column.

For pump with TEFC standard efficiency motor, add price in "TEFC" column to "LIST PRICE" column.

For pump with TEFC premium efficiency motor, add prices in "TEFC" column and "PREMIUM EFFICIENCY" columns to "LIST PRICE" column.

If you require an AEGIS Shaft Grounding Ring, add appropriate AEGIS adder to List Price.

# CI Series Pumps

**Effective Date:** February 04, 2013

**303-060**

PAGE 6 OF 9

3600 RPM (con't)							
MODEL NUMBER (S x D)**	HP	LIST PRICE*** THREE PHASE	APPROX. WT. (lbs.)	LIST ADDITIONS (\$)			
				TEFC	PREMIUM EFFICIENCY	▶ODP w/ *AEGIS SGR	▶TEFC w/ *AEGIS SGR
2507 (3" x 2.5")	15	5,280.00	306	742.00	717.00	672.00	786.00
	20	6,420.00	371	936.00	834.00	786.00	786.00
	25	7,380.00	493	1,320.00	922.00	786.00	952.00
	30	9,160.00	496	4,010.00	962.00	952.00	952.00
	40	10,930.00	607	4,200.00	1,161.00	952.00	1,007.00
2508 (3"x2.5")	30	8,980.00	527	4,010.00	962.00	952.00	952.00
	40	10,760.00	639	4,200.00	1,161.00	952.00	1,007.00
	50	12,620.00	728	4,340.00	1,900.00	1,007.00	1,007.00
	60	N/A	N/A	N/A	C/F	1,007.00	1,614.00
2509 (3"x2.5")	20	6,740.00	514	936.00	834.00	786.00	786.00
	25	7,770.00	534	1,320.00	922.00	786.00	952.00
	30	9,110.00	536	4,010.00	962.00	952.00	952.00
	40	10,730.00	647	4,200.00	1,161.00	952.00	1,007.00
	50	13,010.00	738	4,340.00	1,900.00	1,007.00	1,007.00
	60	N/A	N/A	N/A	C/F	1,007.00	1,614.00
3007 (4"x3")	20	6,610.00	503	936.00	834.00	786.00	786.00
	25	7,620.00	524	1,320.00	922.00	786.00	952.00
	30	11,120.00	526	4,010.00	962.00	952.00	952.00
	40	11,870.00	638	4,200.00	1,161.00	952.00	1,007.00
	50	13,410.00	728	4,340.00	1,900.00	1,007.00	1,007.00
	60	N/A	N/A	N/A	C/F	1,007.00	1,614.00
3009 (4"x3")	30	11,230.00	538	4,010.00	962.00	952.00	952.00
	40	12,080.00	650	4,200.00	1,161.00	952.00	1,007.00
	50	13,920.00	740	4,340.00	1,900.00	1,007.00	1,007.00
	60	N/A	N/A	N/A	C/F	1,007.00	1,614.00
4007 (5"x4")	25	7,790.00	558	1,320.00	922.00	786.00	952.00
	30	10,920.00	560	4,010.00	962.00	952.00	952.00
	40	11,930.00	672	4,200.00	1,161.00	952.00	1,007.00
	50	13,940.00	762	4,340.00	1,900.00	1,007.00	1,007.00
	60	N/A	N/A	N/A	C/F	1,007.00	1,614.00
4075 (5"x4")	30	11,060.00	524	4,010.00	962.00	952.00	952.00
	40	12,060.00	649	4,200.00	1,161.00	952.00	1,007.00
	50	13,990.00	738	4,340.00	1,900.00	1,007.00	1,007.00
	60	N/A	N/A	N/A	C/F	1,007.00	1,614.00
5007 (6"x5")	20	8,360.00	448	936.00	834.00	786.00	786.00
	25	9,370.00	551	1,320.00	922.00	786.00	952.00
	30	11,860.00	572	4,010.00	962.00	952.00	952.00
	40	12,830.00	676	4,200.00	1,161.00	952.00	1,007.00
	50	15,130.00	926	4,340.00	1,900.00	1,007.00	1,007.00

▶AEGIS Shaft Grounding Ring Option Prices  
- Note: Only available on Premium 3-Phase motors. AEGIS list adder is in addition to Premium Efficiency list adder.

\* See page 9 for AEGIS SGR Warranty Information.

\*\* S = Suction Flange Size, D = Discharge Flange Size

**1800 & 3600 RPM**

\*\*\* Price is for pump with factory choice ODP standard efficiency motor. See below for pricing procedure of other motor options.

For pump with ODP premium efficiency motor, add price in "PREMIUM EFFICIENCY" column to "LIST PRICE" column.

For pump with TEFC standard efficiency motor, add price in "TEFC" column to "LIST PRICE" column.

For pump with TEFC premium efficiency motor, add prices in "TEFC" column and "PREMIUM EFFICIENCY" columns to "LIST PRICE" column.

If you require an AEGIS Shaft Grounding Ring, add appropriate AEGIS adder to List Price.

# CI Series Pumps

**Effective Date:** February 04, 2013

303-060

PAGE 7 OF 9

**1200 RPM**

MODEL NUMBER (S x D)**	HP	PREMIUM EFFICIENCY THREE PHASE LIST PRICE***	APPROX WT. (lbs)	LIST ADDITIONS (\$)		
				TEFC	▶ ODP w/ *AEGIS SGR	▶ TEFC w/ *AEGIS SGR
1207 (2"x1.25")	.5	3,170.00	101	254.50	581.00	581.00
	.75	3,170.00	101	254.50	581.00	581.00
	1	3,170.00	101	254.50	581.00	581.00
1209 (1.5"x1.25")	.5	3,900.00	138	254.50	581.00	581.00
	.75	3,900.00	138	254.50	581.00	581.00
	1	3,900.00	138	254.50	581.00	581.00
1507 (2.5"x1.5")	.5	4,047.00	154	345.00	614.00	614.00
	.75	3,330.00	118	254.50	581.00	581.00
	1	3,330.00	118	254.50	581.00	581.00
1509 (2.5"x1.5")	.5	3,330.00	118	254.50	581.00	581.00
	.75	3,980.00	141	254.50	581.00	581.00
	1	3,980.00	141	254.50	581.00	581.00
1509 (2.5"x1.5")	.5	3,980.00	141	254.50	581.00	581.00
	.75	3,980.00	141	254.50	581.00	581.00
	1	3,980.00	141	254.50	581.00	581.00
1511 (2.5"x1.5")	.5	4,130.00	157	345.00	614.00	614.00
	1	4,310.00	166	254.50	581.00	581.00
	1.5	4,570.00	182	345.00	614.00	614.00
2007 (2.5"x2")	1	4,990.00	206	361.00	614.00	614.00
	2	5,440.00	240	501.00	672.00	672.00
	3	5,440.00	240	501.00	672.00	672.00
2007 (2.5"x2")	.75	3,630.00	137	254.50	581.00	581.00
	1	3,630.00	137	254.50	581.00	581.00
2009 (2.5"x2")	.75	4,210.00	143	254.50	581.00	581.00
	1	4,210.00	143	254.50	581.00	581.00
	1.5	4,350.00	159	345.00	614.00	614.00
	2	4,590.00	171	361.00	614.00	614.00
2013C (3"x2")	3	8,730.00	352	501.00	672.00	672.00
	5	9,680.00	358	856.00	672.00	672.00
	7.5	11,060.00	469	1,227.00	786.00	786.00
	10	12,070.00	521	2,127.00	786.00	786.00
2507 (3"x2.5")	.75	3,940.00	112	254.50	581.00	581.00
	1	3,940.00	112	254.50	581.00	581.00
	1.5	4,210.00	128	345.00	614.00	614.00
	2	4,490.00	152	361.00	614.00	614.00
2508 (3"x2.5")	1	4,200.00	124	254.50	581.00	581.00
	1.5	4,350.00	139	345.00	614.00	614.00
	2	4,590.00	160	361.00	614.00	614.00
	3	5,000.00	190	501.00	672.00	672.00
2509 (3"x2.5")	.75	4,440.00	150	254.50	581.00	581.00
	1	4,440.00	150	254.50	581.00	581.00
	1.5	4,570.00	166	345.00	614.00	614.00
	2	4,780.00	190	361.00	614.00	614.00
	3	5,260.00	148	501.00	672.00	672.00
2510 (3"x2.5")	2	5,020.00	203	361.00	614.00	614.00
	3	5,320.00	229	501.00	672.00	672.00
	5	5,700.00	253	856.00	672.00	672.00
2511 (3"x2.5")	1.5	4,730.00	211	345.00	614.00	614.00
	2	5,140.00	235	361.00	614.00	614.00
	3	5,420.00	281	501.00	672.00	672.00
	5	5,820.00	287	856.00	672.00	672.00

▶AEGIS Shaft Grounding Ring Option Prices  
---Note: Only available on Premium 3-Phase motors.

\* See page 9 for AEGIS SGR Warranty Information.

\*\* S = Suction Flange Size, D = Discharge Flange Size

**1200 RPM**

\*\*\*Price is for pump with factory choice ODP premium efficiency motor. See below for pricing procedure of other motor options.

For pump with TEFC premium efficiency motor, add price in "TEFC" column to "LIST PRICE" column.

If you require an AEGIS Shaft Grounding Ring, add appropriate AEGIS adder to List Price.





# CI Series Pumps

Effective Date: February 04, 2013

303-060

PAGE 8 OF 9

1200 RPM (cont'd)						
MODEL NUMBER (S x D)**	HP	PREMIUM EFFICIENCY THREE PHASE LIST PRICE***	APPROX WT. (lbs)	LIST ADDITIONS (\$)		
				TEFC	▶ ODP w/ *AEGIS SGR	▶ TEFC w/ *AEGIS SGR
2513 (3" x 2.5")	2	7,620.00	320	361.00	614.00	614.00
	3	8,330.00	380	501.00	672.00	672.00
	5	9,280.00	386	856.00	672.00	672.00
	7.5	10,660.00	497	1,227.00	786.00	786.00
3007 (4" x 3")	.75	4,480.00	143	254.50	581.00	581.00
	1	4,480.00	143	254.50	581.00	581.00
	1.5	4,750.00	160	345.00	614.00	614.00
	2	5,020.00	183	361.00	614.00	614.00
3009 (4" x 3")	1	5,020.00	152	254.50	581.00	581.00
	1.5	5,180.00	168	345.00	614.00	614.00
	2	5,490.00	193	361.00	614.00	614.00
	3	5,630.00	251	501.00	672.00	672.00
3011 (4" x 3")	1.5	6,200.00	236	345.00	614.00	614.00
	2	6,460.00	260	361.00	614.00	614.00
	3	6,940.00	317	501.00	672.00	672.00
	5	7,530.00	323	856.00	672.00	672.00
	7.5	8,870.00	430	1,227.00	786.00	786.00
3013 (4" x 3")	3	8,830.00	406	501.00	672.00	672.00
	5	9,790.00	413	856.00	672.00	672.00
	7.5	10,950.00	530	1,227.00	786.00	786.00
	10	12,020.00	580	2,127.00	786.00	786.00
4007 (5" x 4")	1	5,400.00	178	254.50	581.00	581.00
	1.5	5,500.00	193	345.00	614.00	614.00
	2	5,780.00	217	361.00	614.00	614.00
	3	6,120.00	275	501.00	672.00	672.00
4075 (5" x 4")	1	6,070.00	223	254.50	581.00	581.00
	1.5	6,190.00	231	345.00	614.00	614.00
	2	6,460.00	269	361.00	614.00	614.00
	3	6,790.00	291	501.00	672.00	672.00
4009 (5" x 4")	3	6,860.00	309	501.00	672.00	672.00
	5	7,450.00	317	856.00	672.00	672.00
	7.5	8,150.00	325	1,227.00	786.00	786.00
4011 (5" x 4")	3	7,370.00	303	501.00	672.00	672.00
	5	8,000.00	319	856.00	672.00	672.00
	7.5	9,120.00	423	1,227.00	786.00	786.00
	10	10,140.00	474	2,127.00	786.00	786.00
	15	11,720.00	559	3,300.00	952.00	952.00
4013 (5" x 4")	2	7,370.00	319	361.00	614.00	614.00
	3	7,740.00	342	501.00	672.00	672.00
	5	8,510.00	368	856.00	672.00	672.00
	7.5	9,300.00	489	1,227.00	786.00	786.00
	10	10,620.00	542	2,127.00	786.00	786.00
	15	12,200.00	579	3,300.00	952.00	952.00

▶ AEGIS Shaft Grounding Ring Option Prices  
---Note: Only available on Premium 3-Phase motors.

\* See page 9 for AEGIS SGR Warranty Information.

\*\* S = Suction Flange Size, D = Discharge Flange Size

### 1200 RPM

\*\*\* Price is for pump with factory choice ODP premium efficiency motor. See below for pricing procedure of other motor options.

For pump with TEFC premium efficiency motor, add price in "TEFC" column to "LIST PRICE" column.

If you require an AEGIS Shaft Grounding Ring, add appropriate AEGIS adder to List Price.



# CI Series Pumps

**Effective Date:** February 04, 2013

**303-060**

PAGE 9 OF 9

1200 RPM (cont'd)						
MODEL NUMBER (S x D)**	HP	PREMIUM EFFICIENCY THREE PHASE LIST PRICE***	APPROX WT. (lbs)	LIST ADDITIONS (\$)		
				TEFC	▶ ODP w/ *AEGIS SGR	▶ TEFC w/ *AEGIS SGR
5007 (6" x 5")	.75	6,240.00	250	254.50	581.00	581.00
	1	6,240.00	250	254.50	581.00	581.00
	1.5	6,380.00	258	345.00	614.00	614.00
	2	6,610.00	296	361.00	614.00	614.00
	3	6,970.00	318	501.00	672.00	672.00
5009 (6" x 5")	1.5	6,440.00	245	345.00	614.00	614.00
	2	6,920.00	270	361.00	614.00	614.00
	3	7,810.00	328	501.00	672.00	672.00
	5	8,200.00	335	856.00	672.00	672.00
5095 (6" x 5")	7.5	9,440.00	442	1,227.00	786.00	786.00
	2	7,090.00	308	361.00	614.00	614.00
	3	7,990.00	330	501.00	672.00	672.00
	5	8,310.00	343	856.00	672.00	672.00
5011 (6" x 5")	7.5	9,550.00	449	1,227.00	786.00	786.00
	3	7,510.00	370	501.00	672.00	672.00
	5	8,470.00	376	856.00	672.00	672.00
6009 (8" x 6")	7.5	10,140.00	493	1,227.00	786.00	786.00
	10	11,210.00	544	2,127.00	786.00	786.00
	15	13,090.00	666	3,300.00	952.00	952.00
6011 (8" x 6")	5	8,850.00	446	856.00	672.00	672.00
	7.5	10,060.00	552	1,227.00	786.00	786.00
	10	11,360.00	574	2,127.00	786.00	786.00
6011 (8" x 6")	15	13,090.00	666	3,300.00	952.00	952.00
	7.5	11,440.00	641	1,227.00	786.00	786.00
	10	12,820.00	691	2,127.00	786.00	786.00
6011 (8" x 6")	15	14,530.00	813	3,300.00	952.00	952.00

▶ AEGIS Shaft Grounding Ring Option Prices  
---Note: Only available on Premium 3-Phase motors.

\*\* S = Suction Flange Size, D = Discharge Flange Size

**1200 RPM**

\*\*\* Price is for pump with factory choice ODP premium efficiency motor. See below for pricing procedure of other motor options.

For pump with TEFC premium efficiency motor, add price in "TEFC" column to "LIST PRICE" column.

If you require an AEGIS Shaft Grounding Ring, add appropriate AEGIS adder to List Price.

\* Baldor Electric Company's warranty covers manufacturing defects of their motors. Performance of the AEGIS™ shaft grounding ring is covered by the following warranty from Electro Static Technology.

Electro Static Technology guarantees any new motor up to 100 HP will not fail from electrical bearing fluting damage for the expected normal bearing life of the original motor bearings when the AEGIS™ SGR Bearing Protection ring is installed. If electrically induced fluting damage occurs, Electro Static Technology will replace motor bearings.

**Guarantee is subject to the terms and conditions of the AEGIS™ SGR Guarantee Program:**

1. Electrically induced fluting damage must be verified by EST or an authorized entity to qualify for bearing replacement. EST shall not be liable for greater than 35% of the original cost of the motor or the Vaughan's National Average Price to furnish and install two (2) standard ball bearings.
2. To qualify for the AEGIS™ SGR Bearing Protection Ring performance guarantee, all motors with AEGIS™ SGR Bearing Protection Ring install must be registered within 30 days of placing the new motor into service. Proof of purchase is required. Register online to qualify for this performance guarantee. <http://www.west-aegis.com/registerform.cfm>

LIST PRICE ADDER FOR 200 VOLT MOTORS				
MOTOR	STANDARD EFFICIENCY		PREMIUM EFFICIENCY	
	HP	ADDER	HP	ADDER
1200 RPM ODP	N/A		NO ADDITIONAL CHARGE	
1200 RPM TEFC			NO ADDITIONAL CHARGE	
1800 RPM ODP			1 thru 20	299.00
			25 thru 50	543.00
1800 RPM TEFC			NO ADDITIONAL CHARGE	
3600 RPM ODP			1 thru 20	316.00
			25 thru 60	571.00
3600 RPM TEFC			NO ADDITIONAL CHARGE	

LIST PRICE ADDER FOR SINGLE PHASE MOTOR	
HP	1760 RPM ONLY
1	316.00
1.5	589.00
2	771.00
3	922.00

All single phase motors are 115/230/60/1.

**FOR OTHER PUMP OPTIONS, CONSULT PRICE SHEET 303-062.**



# Suggested List Prices FI Series Pumps

303-061

**Supersedes:** January 31, 2011

**Updated:** January 16, 2015

**Effective:** February 04, 2013

HORIZONTAL FRAME-MOUNTED REAR PULL-OUT END SUCTION CENTRIFUGAL PUMPS.

Prices include pumps and integral bearing support assembly, base, coupler, and coupler guard.

All units furnished with shaft sleeve, mechanical seal.

CONSTRUCTION: STANDARD AS BRONZE FITTED


CASING: CAST IRON

IMPELLER: BRONZE

SHAFT SLEEVE: BRONZE

**ALL IRON CONSTRUCTION - Consult Factory.**

For Standard motor options, consult price sheets 303-022 through 303-026.

PUMP MODEL (SxD)*	BEARING FRAME SIZE	NEMA MOTOR FRAME SIZE	LIST PRICE** LESS MOTOR 125 psi WP	APPROX. SHIPPING WEIGHT	PUMP MODEL (SxD)*	BEARING FRAME SIZE	NEMA MOTOR FRAME SIZE	LIST PRICE** LESS MOTOR 125 psi WP	APPROX. SHIPPING WEIGHT
1206 SxD (2"x1.25")	H	56 143-145T 182-184T 213T-215T	2,600.00	162	 2013C SxD (3"x2")	J	213-215T 254-256T 284-286T	6,421.00	440
1207 SxD (2"x1.25")	H	143-145T 182-184T 213-215T 254-256T	2,900.00	187	2506 SxD (3"x2.5")	H	143-145T 182-184T 213-215T 254-256T	3,010.00	223
1209C SxD (1.5" x 1.25")	H	143-145T 182-184T 213-215T 254-256T 284-286TS 324TS	3,975.00	298	2507 SxD (3"x2.5")	J	143-145T 182-184T 213-215T 254-256T 284-286TS 324-326TS	3,850.00	267
1506 SxD (2.5"x1.5")	H	143-145T 182-184T 213T-215T	2,620.00	167	2508 SxD (3"x2.5")	J	143-145T 182-184T 213-215T 254-256T 284-286TS 324-326TS 364-365TS	4,160.00	273
1507 SxD (2.5"x1.5")	H	143-145T 182-184T 213T-215T 254-256T 284-286TS	2,950.00	205	2509 SxD (3"x2.5")	H/J	143-145T 182-184T 213-215T 254-256T 284-286TS 324-326TS 364-365TS	4,360.00	309
1509 SxD (2.5"x1.5")	H/J	143-145T 182-184T 213-215T 254-256T 284-286TS 324-326TS	4,100.00	306	2510 SxD (3"x2.5")	H	182-184T 213-215T 254-256T	4,860.00	338
1511 SxD (2.5"x1.5")	J	143-145T 182-184T 213-215T 254-256T	4,360.00	356	2511 SxD (3"x2.5")	J	143-145T 182-184T 213-215T 254-256T	5,100.00	364
2007 SxD (2.5"x2")	H	143-145T 182-184T 213-215T 254-256T 284-286TS	3,450.00	228	2513 SxD (3"x2.5")	J	182-184T 213-215T 254-256T 284-286T	5,910.00	468
2009C SxD (2.5"x2")	H/J	143-145T 182-184T 213-215T 254-256T 284-286TS 324-326TS	4,160.00	237					

►► Modified from "Pump Frame Size" to "Bearing Frame Size".

\*S = Suction Flange Size; D = Discharge Flange Size

\*\* For "Pump End Only" pricing, multiply "less-motor" price times .9.

**Please Note: "Pump end only" pricing DOES NOT include base, motor, coupler, or coupler guard.** For other pump options, consult price sheet 303-062.

# FI Series Pumps

**Effective Date:** February 04, 2013

303-061

PAGE 2

PUMP MODEL (SxD)*	BEARING FRAME SIZE	NEMA MOTOR FRAME SIZE	LIST PRICE** LESS MOTOR 125 psi WP	APPROX. SHIPPING WEIGHT	PUMP MODEL (SxD)*	BEARING FRAME SIZE	NEMA MOTOR FRAME SIZE	LIST PRICE** LESS MOTOR 125 psi WP	APPROX. SHIPPING WEIGHT	
3007 SxD (4"x3")	J	143-145T	4,190.00	285	5009 SxD (6"x5")	J	182-184T	5,670.00	400	
		182-184T					213-215T			254-256T
		213-215T					284-286TS			324-326TS
		254-256T					364-365TS			
		284-286TS								
3009 SxD (4"x3")	J	143-145T	4,130.00	305	5095 SxD (6"x5")	J	182-184T	6,280.00	425	
		182-184T					213-215T			254-256T
		213-215T					284-286TS			324-326TS
		254-256T					364-365TS			404-405TS
		284-286TS								
3011 SxD (4"x3")	J	182-184T	5,490.00	388	5011 SxD (6"x5")	J	213-215T	6,530.00	494	
		213-215T					254-256T			284-286T
3013 SxD (4"x3")	J	213-215T	6,240.00	537	5013 SxD (6"x5")	L	254-256T	8,100.00	581	
		254-256T					284-286T			324-326T
4007 SxD (5"x4")	J	143-145T	4,570.00	329	6009 SxD (8"x6")	J	213-215T	7,770.00	658	
		182-184T					254-256T			284-286T
		213-215T					284-286TS			324-326TS
		254-256T					364-365TS			404-405TS
		284-286TS								
4075 SxD (5"x4")	J	143-145T	5,200.00	345	6011 SxD (8"x6")	J	254-256T	10,900.00	779	
		182-184T					284-286T			324-326T
		213-215T					364-365T			405-444T
		254-256T					405-444T			
		324-326TS								
4009 SxD (5"x4")	J	182-184T	5,170.00	351	8013 SxD (10"x8")	N	213-215T	13,990.00	879	
		213-215T					254-256T			
4011C SxD (5"x4")	J	213-215T	6,080.00	372						
		254-256T			284-286T	324-326T				
4013 SxD (5"x4")	J	182-184T	7,190.00	458						
		213-215T			254-256T	284-286T				
5007 SxD (6"x5")	J	143-145T	5,430.00	385						
		182-184T								
		213-215T								
		254-256T								
		284-286TS								

\*S = Suction Flange Size; D = Discharge Flange Size  
 \*\* For "Pump End Only" pricing, multiply "less-motor" price times .9.  
**Please Note: "Pump end only" pricing DOES NOT include base, motor, coupler, or coupler guard.** For other pump options, consult price sheet 303-062.

►► Modified from "Pump Frame Size" to "Bearing Frame Size".

**OPTIONAL REGREASABLE BEARINGS**

**\$334.00 LIST ADD**

**FI Series Pumps**  
Effective Date: February 04, 2013

303-061

PAGE 3

MOTOR SIZE	LIST PRICE FOR SHOP MOUNTING MOTORS SUPPLIED BY CUSTOMER
Up to 7½ HP	418.00
10 to 40 HP	487.00
50 to 100 HP	777.00
125 to 200 HP	1,061.00
Above 200 HP	1,211.00

1. Prices apply when customer's motor is sent to TACO for mounting, when pump baseplate and coupling are supplied by TACO.
2. Prices apply to standard "T" frame horizontal motors only.
3. Customer's motors for TACO mounting must be shipped prepaid to the factory.

**ORDERING INSTRUCTIONS**

1. Tag motors being shipped to TACO with customer purchase order number, TACO shop order number and the MRO number issued by customer service.
2. Specify motor manufacturer and frame size on order write-up.

PRICES SUBJECT TO CHANGE WITHOUT NOTICE.

**Do it Once. Do it Right.™**

TACO INC., 1160 Cranston Street, Cranston, RI 02920 Telephone: (401) 942-8000 Fax: (401) 942-2360  
TACO (Canada), Ltd., 8450 Lawson Road, Milton, Ontario L9T 0J8 Telephone: (905) 564-9422 Fax: (905) 564-9436  
Visit our website at: [www.taco-hvac.com](http://www.taco-hvac.com)

Printed in USA

Copyright 2006

TACO, Inc.



# Suggested List Prices

303-062

## CI & FI Series Pumps - Pump Options

Supersedes: January 31, 2011

February 4, 2014

Effective: February 04, 2013

CI PUMP LIST ADDERS									
MOTOR FRAME CODE	JM MOTOR FRAME	EPT Silicon-Carbide Seal	EPT TUNGSTEN CARBIDE SEAL	EPT NI-RESIST SEAL	BUNA ELASTOMER	VITON ELASTOMER	STAINLESS STEEL SHAFT SLEEVE	STAINLESS STEEL SHAFT	CERTIFIED TEST CURVES*
H, J & K	143-215	325.00	436.00	261.50	304.00	391.50	348.00	Consult Factory	2,421.00
L, M, N & R	254-365	325.00	574.00	453.50	375.00	463.00	453.50		2,660.00

FI PUMP LIST ADDERS										
BEARING FRAME SIZE	EPT Silicon-Carbide Seal	EPT TUNGSTEN CARBIDE SEAL	EPT NI-RESIST SEAL	BUNA ELASTOMER	VITON ELASTOMER	STAINLESS STEEL SHAFT SLEEVE	STAINLESS STEEL SHAFT	SPACER*** TYPE COUPLING	CERTIFIED TEST CURVES*	EN-CLOSED** COUPLER GUARD
H	325.00	436.00	261.50	304.00	391.50	348.00	1,036.00	457.50	2,421.00	327.50
J	325.00	574.00	453.50	375.00	463.00	453.50	1,195.00	638.00	2,660.00	574.00
L	325.00	777.00	619.00	453.50	505.00	549.00	1,368.00	986.00	2,880.00	737.00
N	575.00	968.00	780.00	552.00	665.00	745.00	1,852.00	1,201.00	2,880.00	737.00

LIST ADDER FOR CASING WEAR RINGS	
FI & CI PUMPS	
SUCTION FLANGE SIZE	LIST ADDER
1.5" - 2.5"	522.00
3" - 5"	609.00
6" - 10"	827.00

LIST ADDER FOR 250 psi WP	
FI & CI PUMPS	
SUCTION FLANGE SIZE	LIST PRICE
1.5" - 2.5"	768.00
3" - 5"	1,187.00
6" - 10"	1,395.00

FI & CI PUMPS	LIST ADDER
901-1 KYNAR SEDIMENT SEPARATOR KIT UNMOUNTED	1,241.00
900-1010 CUNO FILTER KIT UNMOUNTED	1,638.00

OPTIONAL COUPLERS (BASE MOUNTED PUMPS)		
LIST ADDERS		
DODGE PARA-FLEX TYPE FBX	FALK STEELFLEX TYPE T10	THOMAS FLEXIBLE DISC TYPE DBZ
Consult Factory	Consult Factory	Consult Factory

FI & CI PUMPS FLUSH LINE	
PART NUMBER	LIST ADDER
953-1547RP	141.50

SECONDARY NAMEPLATE (Qty 50)	LIST PRICE
953-2239RP	96.55

\* Does not apply to pumps being shipped less motor.  
 \*\* Complies with ANSI B15.1 Section 8 and OSHA 1910.219  
 \*\*\* Requires modified base layout - longer lead times apply

**Do it Once. Do it Right.™**

TACO INC., 1160 Cranston Street, Cranston, RI 02920 Telephone: (401) 942-8000 Fax: (401) 942-2360  
 TACO (Canada), Ltd., 8450 Lawson Road, Milton, Ontario L9T 0J8 Telephone: (905) 564-9422 Fax: (905) 564-9436  
 Visit our website at: [www.taco-hvac.com](http://www.taco-hvac.com)

Printed in USA

Copyright 2006

TACO, Inc.



# Suggested List Prices

## 1600 Series Pumps Replacement Parts

Supersedes: January 31, 2011

Updated: October 2, 2013

Effective: February 04, 2013

Item #8 BODY, CAST IRON		
121-018RP		544.00
133-150RP		721.00
1610-001RP		476.50
1614-001RP		545.00
1618-004RP		669.00
1634-001RP		645.00
1640-002RP		984.00
Item #8 BODY, BRONZE		
121-018BRP		1,727.00
133-150BRP		2,453.00
1610-001BRP		1,940.00
1614-001BRP		2,038.00
1618-004BRP		2,195.00
1634-001BRP		2,490.00
1640-002BRP		3,710.00
Item #15 BRACKET, CAST IRON		
1600-155RP	48 Frame Motor	399.00
1600-175RP	48 Frame Motor	465.00
1604-023RP	56 Frame Motor	568.00
1604-025RP	56 Frame Motor	607.00
Item #15 BRACKET, BRONZE		
1600-156RP	48 Frame Motor	700.00
1600-176RP	48 Frame Motor	1,019.00
1604-024RP	56 Frame Motor	1,019.00
1604-026RP	56 Frame Motor	1,248.00
Item #25 IMPELLER ASSEMBLY, BRONZE & CAST IRON		
Diameter		
121-142RP	4.30	189.00
121-142BRP	4.30	282.50
131-075RP	4.80	258.00
131-075BRP	4.80	480.00
132-063RP	5.20	265.00
132-063BRP	5.20	418.00
133-075RP	5.75	297.00
133-075BRP	5.75	452.50
138-037RP	6.25	309.50
138-037BRP	6.25	480.00

Item #25 IMPELLER ASSEMBLY, BRONZE & CAST IRON (Cont.)		
Diameter		
1600-179BRP	4.75	301.00
1602-025BRP	5.50	347.00
1604-028BRP	6.20	371.50
1610-019BRP	4.75	349.00
1610-020BRP	4.50	335.00
▶ 1611-001BRP*	4.00 - 4.75	383.00
1612-019BRP	5.75	361.00
1614-018BRP	6.35	377.00
▶ 1615-001BRP*	4.70 - 6.35	427.50
1616-002BRP	7.10	772.00
1618-001BRP	7.90	800.00
▶ 1619-001BRP*	6.20 - 7.90	839.00
1620-022BRP	5.10	447.00
1622-020BRP	5.85	463.00
1624-040BRP	6.50	514.00
1630-022RP	4.90	329.50
1630-022BRP	4.90	464.00
1630-023RP	4.40	388.00
1630-023BRP	4.40	412.50
1632-022RP	5.65	306.00
1632-022BRP	5.65	464.00
1634-023RP	6.15	329.50
1634-023BRP	6.15	513.00
▶ 1635-001BRP*	4.10 - 6.15	721.00
1636-001BRP	6.40	700.00
1638-001BRP	6.90	727.00
1640-001BRP	7.90	727.00
▶ 1641-001BRP*	5.90 - 7.90	742.00
*Please specify desired impeller cut.		
Item No. 29 WATER SEAL KIT		
1600-055RP	Ni-Resist	104.00
1600-868CRP	Ceramic	117.50
1600-868SRP	Sealide C (Silicon Carbide)	652.00

Diameter has changed.

# 1600 Series Pumps Replacement Parts

Effective Date: February 04, 2013

303-101

PAGE 2 OF 2

Item No. 31 MOTOR ASSEMBLY (all 1725 RPM)				
MOTOR NUMBER	VOLTAGE	REPLACES	HP	LIST PRICE (\$)
121-151RP	115/60/1	---	1/4	477.50
131-143RP	115/60/1	---	1/3	541.00
132-096RP	115/230/60/1	---	1/2	737.00
1661-022RP	200-230/460/60/3	132-097RP, 230/460/60/3	1/2	801.00
		132-066RP, 200/60/3		
133-119RP	115/230/60/1	---	3/4	837.00
1661-023RP	200-230/460/60/3	133-134RP, 230/460/60/3	3/4	883.00
		133-140RP, 200/60/3		
138-119RP	115/230/60/1	---	1	934.00
1661-024RP	200-230/460/60/3	138-142RP, 230/460/60/3	1	894.00
		138-148RP, 200/60/3		
1636-013RP	115/230/60/1	--	1 1/2	1,360.00
1661-025RP	200-230/460/60/3	1636-010RP, 230/460/60/3	1 1/2	1,024.00
		1636-019RP, 200/60/3		
1638-012RP	115/230/60/1	---	2	1,364.00
1661-026RP	200-230/460/60/3	1638-010RP, 230/460/60/3	2	1,228.00
		1638-015RP, 200/60/3		
1661-027RP	200-230/460/60/3	1640-010RP, 230/460/60/3	3	1,278.00
		1640-013RP, 200/60/3		
Item No. 34 SHAFT SLEEVE				
1600-205RP				38.75
Item No. 36 FLANGE SET, CAST IRON				
1600-031RP	1½	---	---	128.00
1600-032RP	2	---	---	132.00
1600-033RP	2½	---	---	266.00
1600-034RP	3	---	---	275.50
1600-174RP	2	---	---	266.00
Item No. 36 FLANGE SET, BRONZE				
1600-031BRP	1½	---	---	378.50
1600-032BRP	2	---	---	378.50
1600-033BRP	2½	---	---	762.00
1600-034BRP	3	---	---	762.00
1600-174BRP	2	---	---	514.00

Item No. 56 COUPLER		
1624-043RP	3J	109.00
1624-053RP	4J (5/8" x 5/8")	150.50
1624-030RP	4J (5/8" x 1/2")	144.50
1624-041RP	5J	211.00
FLANGE GASKETS		
131-019RP	3" Flat Rubber	14.80
133-152RP	3" Rubber Ring	31.60
1600-009RP	Flat Rubber	13.40
1600-169RP	Flange Gasket	32.10
BODY GASKET		
1600-024RP		7.10
133-014RP		7.10
1618-006		9.10
Item No. 74 MODERNIZATION KIT, CAST IRON		
121-154RP	48 Frame Motor	846.00
131-144RP	48 Frame Motor	1,090.00
133-147RP	56 Frame Motor	1,122.00
Item NO. 74 MODERNIZATION KIT, BRONZE		
122-002RP	48 Frame Motor	1,213.00
132-145RP	48 Frame Motor	1,419.00
138-153RP	56 Frame Motor	1,508.00
Item No. 111 RUBBER INSERT FOR COUPLER		
1624-020RP	3J	78.40
1624-004RP	4J	71.65
900-512RP	5J	91.05
Item No. 161 GASKET KIT		
1600-050RP		75.50
1618-006RP		27.75
Item No. 269 CARTRIDGE ASSEMBLY		
1600-160RP-1		552.00
ADAPTER PLATE		
1600-194RP		191.50
MOTOR ASSEMBLY, LESS MOTOR		
121-079RP		267.50
121-051RP		315.00
121-056RP		233.50
132-033RP		315.00
133-031RP		371.50
1636-004RP		510.00
IMPELLER BOLT		
1600-215RP		19.00
IMPELLER WASHER		
1600-151RP		7.10

► Indicates price correction.

**Do it Once. Do it Right.™**

TACO INC., 1160 Cranston Street, Cranston, RI 02920 Telephone: (401) 942-8000 Fax: (401) 942-2360  
 TACO (Canada), Ltd., 8450 Lawson Road, Milton, Ontario L9T 0J8 Telephone: (905) 564-9422 Fax: (905) 564-9436  
 Visit our website at: www.taco-hvac.com

Printed in USA

Copyright 2006

TACO, Inc.



# Replacement Parts List Prices

303-102  
PAGE 1 OF 2

## VL Pumps

**Supersedes:** January 31, 2011

**Effective:** February 04, 2013

I.D. NO.	ITEM #1 CASING	LIST PRICE (\$)
44	950-1043RP	369.00
45	950-1044RP	480.00
46	950-1045RP	570.00
47	950-1046RP	643.00
48	950-1047RP	535.00
49	950-1048RP	593.00
50	950-1049RP	645.00
51	950-1050RP	694.00
52	950-1051RP	762.00
53	950-1052RP	958.00
54	950-1053RP	705.00
55	950-1054RP	811.00
59	950-1058RP	1,513.00
60	950-1059RP	1,185.00
61	950-1060RP	1,507.00

I.D. NO.	ITEM #2 & #25 NUT	LIST PRICE (\$)
Hardware		

I.D. NO.	ITEM #3 NPT PLUG	LIST PRICE (\$)
Hardware		

I.D. NO.	ITEM #4 GASKET	LIST PRICE (\$)
1	950-021RP (6")	13.20
2	950-022RP (7")	15.05
3	950-023RP (8")	18.15
4	950-119RP (10")	19.15
5	950-077RP (13")	20.25

I.D. NO.	ITEM #5 IMPELLER	DIA.	LIST PRICE (\$) (BRZ.)
1	950-1061BRP	5.50	565.00
2	950-1062BRP	5.50	621.00
3	950-1063BRP	5.50	621.00
4	950-1064BRP	5.50	880.00
5	950-1065BRP	6.90	721.00
6	950-1066BRP	6.90	798.00
7	950-1067BRP	6.90	880.00
9	950-1069BRP	8.40	957.00
10	950-1070BRP	6.90	973.00
11	950-1071BRP	6.90	1,062.00
12	950-1072BRP	8.40	1,017.00
13	950-1073BRP	8.40	1,125.00
16	950-1076BRP	10.40	1,570.00
18	950-1078BRP	8.40	1,297.00
19	950-1079BRP	10.40	1,681.00
31	950-1091BRP	5.50	570.00
32	950-1092BRP	5.50	887.00
33	950-1093BRP	6.90	661.00
34	950-1094BRP	6.90	799.00
35	950-1095BRP	6.90	887.00
37	950-1097BRP	8.40	957.00
38	950-1098BRP	6.90	973.00
39	950-1099BRP	6.90	1,062.00
40	950-1100BRP	8.40	1,017.00
41	950-1101BRP	8.40	1,126.00
44	950-1104BRP	10.40	1,554.00

I.D. NO.	ITEM #6 IMPELLER WASHER	LIST PRICE (\$)
1	950-046RP B/C	26.40
2	950-047RP D,E,F & G	28.75



# VL Pumps

Effective Date: February 04, 2013

303-102

PAGE 2 OF 2

I.D. NO.	ITEM #8 IMPELLER BOLT	LIST PRICE (\$)
	Hardware	

I.D. NO.	ITEM #9 IMPELLER KEY	LIST PRICE (\$)
	Hardware	

I.D. NO.	ITEM #10 SLEEVE (SS)	LIST PRICE (\$)
4	950-516RP	231.00
5	950-517RP	292.00

I.D. NO.	ITEM #10 SLEEVE (BRZ)	LIST PRICE (\$)
4	950-519RP	113.50
5	950-520RP	158.50

I.D. NO.	ITEM #13 TUBE FITTING KIT	LIST PRICE (\$)
	951-247RP	77.55

I.D. NO.	ITEM #15 O RING	LIST PRICE (\$)
1	950-110RP	15.45
2	950-111RP	29.95

I.D. NO.	ITEM #16 STUD W/NUT	LIST PRICE (\$)
1	950-1157RP	60.50
2	950-1158RP	67.30
3	950-1159RP	72.05
4	950-1160RP	80.35
5	950-1161RP	84.50

NOTE: Quantity 8 per RP

I.D. NO.	ITEM #17 WEAR RING (BRZ)	LIST PRICE (\$)
1	950-1163BRP	84.10
2	950-1164BRP	113.00
3	950-1165BRP	116.50
4	950-1166BRP	128.50
5	950-1167BRP	239.00
6	950-1168BRP	211.50
8	950-1170BRP	232.00

I.D. NO.	ITEM #24 STUD W/NUT	LIST PRICE (\$)
3	950-1159RP	72.05
7	950-1179RP	63.60
8	950-1180RP	73.20
9	950-1181RP	87.20

I.D. NO.	ITEM #30 SEAL KIT TYPE	LIST PRICE (\$)
1B	950-664SRP	460.50
2B	950-664BRP	388.50
2B	950-665SRP	609.00
4B	950-665BRP	478.50
1D	950-667SRP	1,440.00
2D	950-667BRP	1,359.00
3D	950-668SRP	1,643.00
4D	950-668BRP	1,488.00
1E	950-670SRP	771.00
2E	950-670BRP	685.00
3E	950-671SRP	1,630.00
4E	950-671BRP	1,359.00

**Do it Once. Do it Right.™**

TACO INC., 1160 Cranston Street, Cranston, RI 02920 Telephone: (401) 942-8000 Fax: (401) 942-2360  
TACO (Canada), Ltd., 8450 Lawson Road, Milton, Ontario L9T 0J8 Telephone: (905) 564-9422 Fax: (905) 564-9436  
Visit our website at: [www.taco-hvac.com](http://www.taco-hvac.com)

Printed in USA

Copyright 2006

TACO, Inc.



# Replacement Parts List Prices

303-103  
Page 1 of 4

## BB, SB & CC Pumps

**Supersedes:** January 31, 2011

**Effective:** February 04, 2013

ITEM #1 SUCTION COVERS, C.I.		
ALL NO LONGER AVAILABLE		
ITEM #2 SUCTION COVER BOLTS		
HARDWARE		
ITEM #3 SUCTION COVER "O" RINGS		
862-005RP	10"	129.50
868-004RP	12"	189.00
903-005RP	5"	79.25
912-005RP	8"	113.00
918-005RP	6"	96.00
ITEM #4 IMPELLER BOLT (SS)		
10-008RP	3/8 - 16 x 1 - 1/2	13.20
10-259RP	3/8 - 16 x 1 - 1/2	23.45
ITEM #5 IMPELLER WASHER		
900-008RP		35.00
900-036RP		64.75
ITEM #6 BRONZE IMPELLERS DIA		
860-002B	7.90	1,031.00
860-005B	7.90	1,031.00
862-002B	9.90	1,441.00
862-065B	9.90	1,441.00
864-002B	7.90	1,267.00
864-004B	7.90	1,267.00
866-002B	9.90	1,501.00
866-004B	9.90	1,501.00
870-002B	9.90	1,817.00
870-004B	9.90	1,817.00
884-002B	12.40	3,030.00
885-002B	12.40	3,130.00
885-004B	12.40	3,130.00
886-002B	12.40	2,135.00
886-004B	12.40	2,135.00

ITEM #6 BRONZE IMPELLERS DIA		
912-002B	7.90	982.00
918-002B	6.25	820.00
920-002B	7.90	1,095.00
922-002B	9.90	1,310.00
926-002B	6.25	820.00
928-002B	7.90	1,111.00
932-002B	6.25	939.00
934-005B	7.90	1,111.00
936-002B	9.90	1,463.00
936-005B	9.90	1,463.00
938-002B	6.25	1,207.00
Specify cut when ordering.		
ITEM #7 IMPELLER KEY		
HARDWARE		
ITEM #8 CASING WITH THROTTLE BUSHING		
ALL NO LONGER AVAILABLE		
ITEM #9 IMPELLER SPACER		
862-081RP		283.50
862-104RP		271.50
900-026RP		242.00
900-120RP		613.00
ITEM #10 THROTTLE BUSHING		
862-027RP		143.50
862-043RP		309.50
862-083RP		195.00
900-009RP		143.50
903-009RP		271.50
920-008RP		225.00
920-016RP		128.50
ITEM #13 MOTOR HEX. HD. BOLT		
HARDWARE ITEM		
ITEM #14 PIPE PLUG		
HARDWARE ITEM		
ITEM #15 FRAME ONLY		
ALL NO LONGER AVAILABLE		

# BB, SB & CC Pumps

303-103

Effective Date: February 04, 2013

PAGE 2 of 4

ITEM #16 CASING BOLT	
HARDWARE ITEM	
ITEM #17 DRAIN PLUG	
HARDWARE ITEM	
ITEM #18 SPACER	
900-007RP	64.65
ITEM #20 PACKING SETS	
900-240RP	179.50
900-241RP	148.50
900-242RP	362.00
ITEM #21 GLAND STUDS	
900-029RP	35.00
ITEM #22 FILLER RINGS	
862-062RP	222.50
900-030RP	143.50
905-007RP	129.50
ITEM #23 PACKING GLAND (BRONZE)	
862-042B	208.50
ITEM #24 HEX NUTS	
HARDWARE ITEM	
ITEM #28 SEAL RETAINER CAP GASKET	
862-031RP	13.20
900-011RP	13.20
920-014RP	13.20
ITEM #29 WATER SEAL ONLY	
862-029RP	424.50
872-024RP	1,226.00
872-036RP	2,160.00
900-024RP	301.50
ITEM #30 CAP BOLTS	
HARDWARE ITEM	
ITEM #31 SEAL RETAINER CAP, C.I.	
862-082RP	232.00
862-100RP	160.50
900-025RP	178.50
920-020RP	201.00
ITEM #34 SLING RING	
900-041RP	15.45
900-044RP	15.45
ITEM #35 SLEEVE	
862-080BRP	128.50
862-084RP	1,043.00
862-085RP	1,043.00
862-103BRP	178.50
862-109RP	1,095.00
900-027BRP	116.50
900-121RP	1,433.00
920-006RP	1,171.00

ITEM #38 MOTOR LOCKWASHER	
HARDWARE ITEM	
ITEM #40 FRAME COVER PLATE GASKET	
872-055RP	64.65
ITEM #42 SHAFT	
820-785RP	675.00
840-113RP	662.00
862-157RP	859.00
(For Stainless Steel Prices, Please Consult Factory)	
ITEM #44 CONE POINT SET SCREW	
HARDWARE ITEM	
ITEM #45 CUP POINT SET SCREW	
HARDWARE ITEM	
ITEM #47 COUPLER GUARDS	
820-796RP	133.00
840-125RP	173.50
862-164RP	226.50
862-156RP	272.00
ITEM #48 COUPLER GUARD ROUND HEAD SCREWS	
HARDWARE ITEM	
ITEM #50 BEARING PLATE GASKET	
820-791RP	13.20
840-123RP	13.20
862-153RP	13.20
872-022RP	13.20
ITEM #52 BEARING PLATE BOLT	
HARDWARE ITEM	
ITEM #54 OIL SEAL	
872-013	96.00
ITEM #55 COUPLER KEY	
HARDWARE ITEM	
ITEM #56 COUPLER	
NO LONGER AVAILABLE	
ITEM #63 BALL BEARING INBOUND	
820-784RP	88.40
840-114RP	143.50
862-159RP	191.00
872-056RP	393.50
ITEM #65 BASE PLATE	
ALL NO LONGER AVAILABLE	
ITEM #66 BELLEVILLE WASHER	
900-053RP	15.65
ITEM #67 SLEEVE GASKET	
862-059RP	26.40
872-028RP	48.00
862-113RP	27.25
920-007RP	22.20
ITEM #74 COMPLETE FRAME ASSEMBLY	
820-795RP	2,760.00
840-124RP	2,890.00
862-162RP	4,500.00

# BB, SB & CC Pumps

Effective Date: February 04, 2013

303-103

PAGE 3 of 4

ITEM #77 SPACER			
ALL NO LONGER AVAILABLE			
ITEM #78 FRAME SPACER			
ALL NO LONGER AVAILABLE			
ITEM #79 SPACER HEX. HD. BOLTS			
HARDWARE ITEM			
ITEM #82 BALL BEARING - OUTBOUND			
820-067RP			66.75
840-071RP			94.80
862-101RP			128.00
872-057RP			1,590.00
REPLACEMENT CARTRIDGE FOR FILTER KIT			
900-439RP			126.50
FILTER KIT GASKET SET			
900-783RP			113.00
ITEM #91 WATER SEAL KIT			
840-128BRP			404.50
840-128DRP			1,226.00
840-128ERP			551.00
862-171BRP			551.00
862-171DRP			1,543.00
862-171ERP			1,039.00
862-172BRP			567.00
862-172DRP			1,564.00
862-172ERP			1,050.00
ITEM #109 PUMP COUPLER HALF			
Part #	Woods #	Bore	List Price(\$)
900-323RP	5J	1"	81.55
900-326RP	6J	1"	105.50
900-328RP	6J	1 - 3/8"	103.50
900-362RP	7S	1"	152.00
900-363RP	7S	1 - 1/4"	148.50
900-364RP	7S	1 - 3/8"	135.50
900-365RP	7S	1 - 5/8"	135.50
900-427RP	8S	1 - 3/8"	189.50
900-428RP	8S	1 - 5/8"	189.50
950-242RP	10S	1 - 5/8"	362.00

ITEM #109A PUMP COUPLER HALF			
Part #	Woods #	Bore	List Price(\$)
900-321RP	5J	5/8"	74.40
900-322RP	5J	7/8"	74.40
900-324RP	5J	1 - 1/8"	74.40
900-325RP	6J	7/8"	90.45
900-327RP	6J	1 - 1/8"	100.50
900-328RP	6J	1 - 3/8"	103.50
900-364RP	7S	1 - 3/8"	135.50
900-365RP	7S	1 - 5/8"	135.50
900-428RP	8S	1 - 5/8"	189.50
900-437RP	8S	1 - 7/8"	201.00
900-494RP	9S	1 - 5/8"	285.00
900-495RP	9S	1 - 7/8"	285.00
900-497RP	9S	2 - 1/8"	285.00
900-504RP	10S	1 - 7/8"	379.00
900-505RP	10S	2 - 1/8"	377.50
900-532RP	10S	2 - 3/8"	377.50
ITEM #111 COUPLER INSERT			
Part #	Woods #		List Price(\$)
900-512RP	5J		91.05
900-513RP	6J		154.00
900-514RP	7S		169.50
900-515RP	8S		362.00
900-516RP	9S		429.00
900-517RP	10S		572.00
ITEM #191 RETAINER RING			
15-103RP			13.20
15-104RP			19.80
15-105RP			13.20
15-106RP			14.35
ITEM #275 TUBE FITTING KIT			
951-247RP			77.55

# BB, SB & CC Pumps

Effective Date: February 04, 2013

303-103

PAGE 4 of 4

ITEM #289 BEARING COVER PLATE ASSY.		
820-788RP		235.50
840-120RP		237.50
862-161RP		260.50
ITEM #290 LUBRICATION FITTING		
15-200RP		23.90
FLANGE GASKET KIT		
1 - ¼"	900-300RP	15.45
1 - ½"	900-301RP	36.05
2"	900-302RP	39.00
2 - ½"	140-012RP	39.00
3"	3000-004RP	39.00
4"	4000-004RP	42.10
5"	5000-004RP	50.45
6"	6000-004RP	63.60
8"	8000-004RP	82.90
ITEM #297 END CAPS		
820-368RP		28.75
862-170RP		86.40

**Do it Once. Do it Right.™**

TACO INC., 1160 Cranston Street, Cranston, RI 02920 Telephone: (401) 942-8000 Fax: (401) 942-2360  
TACO (Canada), Ltd., 8450 Lawson Road, Milton, Ontario L9T 0J8 Telephone: (905) 564-9422 Fax: (905) 564-9436  
Visit our website at: [www.taco-hvac.com](http://www.taco-hvac.com)

Printed in USA

Copyright 2006

TACO, Inc.



# Replacement Parts List Prices

## CM Pumps & FM Pumps

Supersedes: January 31, 2011

Effective: February 04, 2013

I.D. NO.	ITEM #1 CASING	LIST PRICE (\$)
1	950-1000RP	360.50
2	950-1001RP	373.00
3	950-1002RP	470.00
4	950-1003RP	694.00
5	950-1004RP	432.00
6	950-1005RP	519.00
7	950-1006RP	554.00
8	950-1007RP	655.00
9	950-1008RP	724.00
10	950-1009RP	720.00
11	950-1010RP	960.00
12	950-1011RP	698.00
13	950-1012RP	791.00
14	950-1013RP	852.00
15	950-1014RP	910.00
16	950-1015RP	936.00
17	950-1016RP	983.00
18	950-1017RP	1,248.00
19	950-1018RP	1,071.00
20	950-1019RP	1,372.00
21	950-1020RP	1,724.00
22	950-1021RP	1,884.00
23	950-1022RP	1,445.00
24	950-1023RP	1,585.00
25	950-1024RP	1,873.00
26	950-1025RP	3,080.00
27	950-1026RP	3,600.00
28	950-1027RP	3,130.00
29	950-1028RP	3,740.00
30	950-1029RP	4,250.00

I.D. NO.	ITEM #2 & #25 NUT	LIST PRICE (\$)
	Hardware	

I.D. NO.	ITEM #3 NPT PLUG	LIST PRICE (\$)
	Hardware	

I.D. NO.	ITEM #4 GASKET	LIST PRICE (\$)
1	950-021RP 6"	13.20
2	950-022RP 7"	15.05
3	950-023RP 8"	18.15
4	950-119RP 10"	19.15
5	950-077RP 13"	20.25
8	950-083RP 16"	32.35

I.D. NO.	ITEM #5 IMPELLER	DIAM.	LIST PRICE (\$)
1	950-1061BRP	5.45	565.00
2	950-1062BRP	5.45	621.00
3	950-1063BRP	5.45	621.00
4	950-1064BRP	5.45	880.00
5	950-1065BRP	6.85	721.00
6	950-1066BRP	6.85	798.00
7	950-1067BRP	6.85	880.00
8	950-1068BRP	8.40	924.00
9	950-1069BRP	8.40	957.00
10	950-1070BRP	6.85	973.00
11	950-1071BRP	6.85	1,062.00
12	950-1072BRP	8.40	1,017.00
13	950-1073BRP	8.40	1,125.00
14	950-1074BRP	10.40	1,264.00
15	950-1075BRP	10.40	1,325.00
16	950-1076BRP	10.40	1,570.00
17	950-1077BRP	8.40	1,162.00
18	950-1078BRP	8.40	1,297.00
19	950-1079BRP	10.40	1,681.00
20	950-1080BRP	10.40	1,741.00
21	950-1081BRP	10.40	1,830.00
22	950-1082BRP	10.40	1,881.00
23	950-1083BRP	12.95	1,942.00
24	950-1084BRP	12.95	2,013.00
25	950-1085BRP	12.95	2,400.00
26	950-1086BRP	12.95	2,770.00
27	950-1087BRP	12.95	3,280.00

# CM Pumps & FM Pumps

Effective Date: February 04, 2013

303-104

PAGE 2 OF 4

I.D. NO.	ITEM #5 IMPELLER	DIAM.	LIST PRICE (\$)
31	950-1091BRP	5.45	570.00
32	950-1092BRP	5.45	887.00
33	950-1093BRP	6.85	661.00
34	950-1094BRP	6.85	799.00
35	950-1095BRP	6.85	887.00
36	950-1096BRP	8.40	808.00
37	950-1097BRP	8.40	957.00
38	950-1098BRP	6.85	973.00
39	950-1099BRP	6.85	1,062.00
40	950-1100BRP	8.40	1,017.00
41	950-1101BRP	8.40	1,126.00
42	950-1102BRP	10.40	1,255.00
43	950-1103BRP	10.40	1,325.00
44	950-1104BRP	10.40	1,554.00
45	950-1105BRP	10.40	1,829.00
46	950-1106BRP	10.40	1,879.00
47	950-1107BRP	12.95	1,944.00
48	950-1108BRP	12.95	2,013.00
49	950-1109BRP	12.95	2,400.00

I.D. NO.	ITEM #6 IMPELLER WASHER	LIST PRICE (\$)
1	950-046RP	26.40
2	950-047RP	28.75

I.D. NO.	ITEM #8 IMPELLER BOLT	LIST PRICE (\$)
Hardware		

I.D. NO.	ITEM #9 IMPELLER KEY	LIST PRICE (\$)
Hardware		

I.D. NO.	ITEM #10 SLEEVE (SS)	LIST PRICE (\$)
1	950-035RP	282.50
2	950-037RP	565.00
3	950-039RP	1,006.00
4	950-516RP	231.00
5	950-517RP	292.00
6	950-518RP	484.50

I.D. NO.	ITEM #10 SLEEVE (BRZ)	LIST PRICE (\$)
1	950-036RP	259.50
2	950-038RP	313.50
3	950-040RP	661.00
4	950-519RP	113.50
5	950-520RP	158.50
6	950-521RP	220.00

I.D. NO.	ITEM #13 TUBE FITTING KIT	LIST PRICE (\$)
1	951-247RP	77.55

I.D. NO.	ITEM #15 RING (GASKET)	LIST PRICE (\$)
1	950-110RP	15.45
2	950-111RP	29.95
3	950-376RP	55.35

I.D. NO.	ITEM #16 STUD W/NUT	LIST PRICE (\$)
Hardware		

I.D. NO.	ITEM #17 WEAR RING (BRZ)	LIST PRICE (\$)
1	950-1163BRP	84.10
2	950-1164BRP	113.00
3	950-1165BRP	116.50
4	950-1166BRP	128.50
5	950-1167BRP	239.00
6	950-1168BRP	211.50
7	950-1169BRP	270.00
8	950-1170BRP	232.00
9	950-1171BRP	313.50

I.D. NO.	ITEM #20 HEX HD. SCREW	LIST PRICE (\$)
Hardware		

I.D. NO.	ITEM #24 STUD W/NUT	LIST PRICE (\$)
Hardware		

I.D. NO.	ITEM #30 SEAL KIT TYPE	LIST PRICE (\$)
1B	950-664SRP	460.50
2B	950-664BRP	388.50
3B	950-665SRP	609.00
4B	950-665BRP	478.50
5B	950-666SRP	1,249.00
6B	950-666BRP	888.00
1D	950-667SRP	1,440.00
2D	950-667BRP	1,359.00
3D	950-668SRP	1,643.00
4D	950-668BRP	1,488.00
5D	950-669SRP	2,054.00
6D	950-669BRP	1,782.00
1E	950-670SRP	771.00
2E	950-670BRP	685.00
3E	950-671SRP	1,630.00
4E	950-671BRP	1,359.00
5E	950-672SRP	1,440.00
6E	950-672BRP	1,189.00

I.D. NO.	ITEM #31 MTR. LOCKWASHER	LIST PRICE (\$)
Hardware		

# CM Pumps & FM Pumps

Effective Date: February 04, 2013

303-104

PAGE 3 OF 3

I.D. NO.	ITEM #34 MOTOR BOLT	LIST PRICE (\$)
HARDWARE		

I.D. NO.	ITEM #39 COUPLER GUARD SCR.	LIST PRICE (\$)
HARDWARE		

I.D. NO.	ITEM #43 WEAR RING (BRZ)	LIST PRICE (\$)
9	950-1171BRP	313.50
10	950-1182BRP	475.50
11	950-1183BRP	473.00
12	950-1184BRP	460.50
13	950-1185BRP	460.50
14	950-1186BRP	157.00

I.D. NO.	ITEM #47 COUPLER GUARD	LIST PRICE (\$)
1	820-796RP	133.00
2	840-125RP	173.50
3	862-156RP	272.00
4	862-164RP	226.50

I.D. NO.	ITEM #49 MTR. SPACER BOLT	LIST PRICE (\$)
HARDWARE		

I.D. NO.	ITEM #50 MTR. SPACER L.W.	LIST PRICE (\$)
HARDWARE		

I.D. NO.	ITEM #52 LANTERN RING (CI)	LIST PRICE (\$)
1	950-1193RP	72.70
2	950-1194RP	28.30
3	950-1195RP	109.50

I.D. NO.	ITEM #52 LANTERN RING (BRZ)	LIST PRICE (\$)
1	950-1193BRP	94.80
2	950-1194BRP	109.50

I.D. NO.	ITEM #56 NUT-GLAND	LIST PRICE (\$)
HARDWARE		

I.D. NO.	ITEM #58 HEX HD SCREW	LIST PRICE (\$)
HARDWARE		

I.D. NO.	ITEM #60 BALL BEARING	LIST PRICE (\$)
1	950-962RP	160.50
2	951-154RP	295.00
3	951-155RP	455.50

I.D. NO.	ITEM #61 SHAFT	LIST PRICE (\$)
1	950-1205RP	222.50
2	950-1206RP	478.50
3	950-1207RP	599.00

I.D. NO.	ITEM #63 RETAINING RING	LIST PRICE (\$)
1	950-1208RP	18.15
2	950-1209RP	26.40
3	950-1210RP	82.90

I.D. NO.	ITEM #63 GREASE FITTING	LIST PRICE (\$)
1	950-1214RP	14.05

I.D. NO.	ITEM #66 WASHER	LIST PRICE (\$)
HARDWARE		

I.D. NO.	ITEM #67 BOLT	LIST PRICE (\$)
HARDWARE		

I.D. NO.	ITEM #72 FRAME ASSY.	LIST PRICE (\$)
1	950-1215RP	1,110.00
2	950-1216RP	1,226.00
3	950-1217RP	1,530.00
4	950-1218RP	3,100.00



# CM Pumps & FM Pumps

Effective Date: February 04, 2013

303-104

PAGE 4 OF 4

ITEM #109 PUMP CLPR HALF			LIST PRICE (\$)
Part #	Woods #	Bore	
900-323RP	5J	1"	81.55
900-326RP	6J	1"	105.50
900-328RP	6J	1 - 3/8"	103.50
900-362RP	7S	1"	152.00
900-363RP	7S	1 - 1/4"	148.50
900-364RP	7S	1 - 3/8"	135.50
900-365RP	7S	1 - 3/8"	135.50
900-427RP	8S	1 - 3/8"	189.50
900-428RP	8S	1 - 5/8"	189.50
900-429RP	9S	1 - 5/8"	264.00
950-242RP	10S	1 - 5/8"	362.00

ITEM #109A MTR COUPLER HALF			LIST PRICE (\$)
Part #	Woods #	Bore	
900-321RP	5J	5/8"	74.40
900-322RP	5J	7/8"	74.40
900-324RP	5J	1 - 1/8"	74.40
900-325RP	6J	7/8"	90.45
900-327RP	6J	1 - 1/8"	100.50
900-328RP	6J	1 - 3/8"	103.50
900-364RP	7S	1 - 3/8"	135.50
900-365RP	7S	1 - 5/8"	135.50
900-428RP	8S	1 - 5/8"	189.50
900-437RP	8S	1 - 7/8"	201.00
900-494RP	9S	1 - 5/8"	285.00
900-495RP	9S	1 - 7/8"	285.00
900-497RP	9S	2 - 1/8"	285.00
900-504RP	10S	1 - 7/8"	379.00
900-505RP	10S	2 - 1/8"	377.50
900-532RP	10S	2 - 3/8"	377.50

ITEM #111 RUBBER INSERT		LIST PRICE (\$)
Part #		
900-512RP	5J	91.05
900-513RP	6J	154.00
900-514RP	7S	169.50
900-515RP	8S	362.00
900-516RP	9S	429.00
900-517RP	10S	572.00

**Do it Once. Do it Right.™**

TACO INC., 1160 Cranston Street, Cranston, RI 02920 Telephone: (401) 942-8000 Fax: (401) 942-2360  
TACO (Canada), Ltd., 8450 Lawson Road, Milton, Ontario L9T 0J8 Telephone: (905) 564-9422 Fax: (905) 564-9436  
Visit our website at: [www.taco-hvac.com](http://www.taco-hvac.com)

Printed in USA

Copyright 2006

TACO, Inc.



# Replacement Parts List Prices

303-128  
PAGE 1 OF 4

## CE Pumps & FE Pumps

Supersedes: January 31, 2011

Effective: February 04, 2013

I.D. NO.	ITEM #1 CASING	LIST PRICE (\$)
1	950-1000RP	360.50
2	950-1001RP	373.00
3	950-1002RP	470.00
4	950-1003RP	694.00
5	950-1004RP	432.00
6	950-1005RP	519.00
7	950-1006RP	554.00
8	950-1007RP	655.00
9	950-1008RP	724.00
10	950-1009RP	720.00
11	950-1010RP	960.00
12	950-1011RP	698.00
13	950-1012RP	791.00
14	950-1013RP	852.00
15	950-1014RP	910.00
16	950-1015RP	936.00
17	950-1016RP	983.00
18	950-1017RP	1,248.00
19	950-1018RP	1,071.00
20	950-1019RP	1,372.00
21	950-1020RP	1,724.00
22	950-1021RP	1,884.00
23	950-1022RP	1,445.00
24	950-1023RP	1,585.00
25	950-1024RP	1,873.00
26	950-1025RP	3,080.00
27	950-1026RP	3,600.00
28	951-3222RP	484.50
29	951-3223RP	523.00
30	951-3224RP	620.00
31	951-3225RP	740.00
32	951-3226RP	761.00
33	951-3227RP	1,145.00
34	951-3228RP	1,147.00
35	951-3229RP	1,316.00
36	951-3230RP	1,672.00
37	951-3231RP	1,814.00
I.D. NO	ITEM #2 & 25 NUT	LIST PRICE
HARDWARE		
I.D. NO	ITEM #3 NPT PLUG	LIST PRICE
HARDWARE		

I.D. NO.	ITEM #4 GASKET	LIST PRICE (\$)	
1	950-021RP 6"	13.20	
2	950-022RP 7"	15.05	
3	950-023RP 8"	18.15	
4	950-119RP 10"	19.15	
5	950-077RP 13"	20.25	
I.D. NO.	ITEM #35 IMP.	DIAMETER	LIST PRICE (\$)
1	950-1061BRP	5.45	565.00
2	950-1062BRP	5.45	621.00
3	950-1063BRP	5.45	621.00
4	950-1064BRP	5.45	880.00
5	950-1065BRP	6.85	721.00
6	950-1066BRP	6.85	798.00
7	950-1067BRP	6.85	880.00
8	950-1068BRP	8.40	924.00
9	950-1069BRP	8.40	957.00
10	950-1070BRP	6.85	973.00
11	950-1071BRP	6.85	1,062.00
12	950-1072BRP	8.40	1,017.00
13	950-1073BRP	8.40	1,125.00
14	950-1074BRP	10.40	1,264.00
15	950-1075BRP	10.40	1,325.00
16	950-1076BRP	10.40	1,570.00
17	950-1077BRP	8.40	1,162.00
18	950-1078BRP	8.40	1,297.00
19	950-1079BRP	10.40	1,681.00
20	950-1080BRP	10.40	1,741.00
21	950-1081BRP	10.40	1,830.00
22	950-1082BRP	10.40	1,881.00
23	950-1083BRP	12.95	1,942.00
24	950-1084BRP	12.95	2,013.00
25	950-1085BRP	12.95	2,400.00
26	950-1086BRP	12.95	2,770.00
27	950-1087BRP	12.95	3,280.00
32	950-1092BRP	5.45	887.00
34	950-1094BRP	6.85	799.00
35	950-1095BRP	6.85	887.00
36	950-1096BRP	8.40	808.00
37	950-1097BRP	8.40	957.00
38	950-1098BRP	6.85	973.00
39	950-1099BRP	6.85	1,062.00
40	950-1100BRP	8.40	1,017.00
41	950-1101BRP	8.40	1,126.00
42	950-1102BRP	10.40	1,255.00

# CE Pumps & FE Pumps

**Effective Date:** February 04, 2013

303-128

PAGE 2 of 4

I.D. NO.	ITEM #5 IMPELLER	DIA.	LIST PRICE(\$)
43	950-1103BRP	10.40	1,325.00
44	950-1104BRP	10.40	1,554.00
47	950-1107BRP	12.95	1,944.00
48	950-1108BRP	12.95	2,013.00
49	950-1109BRP	12.95	2,400.00
50	951-2411BRP	8.40	1,346.00
51	951-2413BRP	8.40	1,310.00
52	951-2416BRP	10.40	1,564.00
53	951-2417BRP	10.40	1,616.00
54	951-2419BRP	10.40	1,527.00
55	951-2420BRP	10.40	1,624.00
56	951-2423BRP	12.95	1,666.00
57	951-2424BRP	12.95	1,564.00
58	951-2503BRP	10.40	1,506.00
59	951-2504BRP	10.40	1,512.00
I.D. NO.	ITEM #6 IMPELLER WASHER	LIST PRICE(\$)	
1	950-046RP	26.40	
2	950-047RP	28.75	
I.D. NO.	ITEM #8 IMPELLER BOLT	LIST PRICE(\$)	
	HARDWARE		
I.D. NO.	ITEM #9 IMPELLER KEY	LIST PRICE(\$)	
	HARDWARE		
I.D. NO.	ITEM #10 SLEEVE (SS)	LIST PRICE(\$)	
1	951-3034RP	331.00	
2	951-3035RP	401.50	
3	951-3037RP	562.00	
4	951-3038RP	600.00	
I.D. NO.	ITEM #10 SLEEVE (BRZ)	LIST PRICE(\$)	
1	951-3034BRP	176.50	
2	951-3035BRP	232.00	
3	951-3037BRP	332.00	
4	951-3038BRP	337.50	
I.D. NO.	ITEM #11 COVER	LIST PRICE(\$)	
1	951-2277RP	280.00	
2	951-2278RP	273.00	
3	951-2279RP	309.00	
4	951-2280RP	304.00	
5	951-2281RP	341.00	
6	951-2282RP	341.00	
7	951-2283RP	418.00	
8	951-2285RP	384.50	
9	951-2287RP	421.00	
10	951-2289RP	462.00	
11	951-2290RP	443.50	
12	951-2292RP	484.50	

I.D. NO.	ITEM #11 COVER	LIST PRICE(\$)	
13	951-2293RP	466.50	
14	951-2301RP	503.00	
15	951-2304RP	529.00	
16	951-2425RP	870.00	
17	951-2427RP	987.00	
18	951-4051RP	619.00	
19	951-2306RP	570.00	
20	951-2308RP	534.00	
21	951-2412RP	619.00	
22	951-2314RP	727.00	
23	951-2337RP	552.00	
24	951-2415RP	498.50	
25	951-2418RP	584.00	
26	951-2422RP	688.00	
I.D. NO.	ITEM #13 TUBE FITTING KIT	LIST PRICE(\$)	
1	951-247RP	77.55	
2	951-3235RP	81.50	
I.D. NO.	ITEM #15 SLEEVE GASKET	LIST PRICE(\$)	
1	951-3041RP	14.65	
2	951-3042RP	6.20	
3	951-3066RP	40.50	
I.D. NO.	ITEM #16 STUD w/ NUT	LIST PRICE(\$)	
	HARDWARE		
I.D. NO.	ITEM #17 WEAR RING (BRZ)	LIST PRICE(\$)	
1	950-1163BRP	84.10	
2	950-1164BRP	113.00	
3	950-1165BRP	116.50	
4	950-1166BRP	128.50	
5	950-1167BRP	239.00	
6	950-1168BRP	211.50	
7	950-1169BRP	270.00	
8	950-1170BRP	232.00	
9	950-1171BRP	313.50	
I.D. NO.	ITEM #20 HEX HD. SCREW	LIST PRICE(\$)	
	HARDWARE		
I.D. NO.	ITEM #21 SEAL	TYPE	LIST PRICE(\$)
1	951-2967RP	(D)	740.00
2	951-2968RP	(E)	299.00
3	951-3159RP	(D)	676.00
4	951-3160RP	(D)	761.00
5	951-3161RP	(E)	237.00
6	951-3162RP	(E)	475.00

# CE Pumps & FE Pumps

**Effective Date:** February 04, 2013

**303-128**

PAGE 3 of 4

I.D. NO.	ITEM #30 SEAL KIT.	TYPE	LIST PRICE(\$)
1	951-2967SRP	(D)	2,650.00
2	951-2967BRP	(D)	2,570.00
3	951-2968SRP	(E)	1,482.00
4	951-2968BRP	(E)	880.00
5	951-3159SRP	(D)	1,023.00
6	951-3159BRP	(D)	902.00
7	951-3160SRP	(D)	1,092.00
8	951-3160BRP	(D)	961.00
9	951-3161SRP	(E)	628.00
10	951-3161BRP	(E)	504.00
11	951-3162SRP	(E)	1,444.00
12	951-3162BRP	(E)	849.00
13	950-1369BRP	(E)	882.00
14	950-1369SRP	(E)	1,482.00
15	950-1370BRP	(D)	1,679.00
16	950-1370SRP	(D)	2,217.00
I.D. NO.	ITEM #43 WEAR RING (BRZ)		LIST PRICE(\$)
9	950-1171BRP		313.50
10	950-1182BRP		475.50
11	950-1183BRP		473.00
12	950-1184BRP		460.50
13	950-1185BRP		460.50
14	950-1186BRP		157.00
I.D. NO.	ITEM #47 COUPLER GUARD		LIST PRICE(\$)
1	951-3074RP		157.00
2	951-3075RP		195.50
3	951-3076RP		231.00
4	951-3077RP		248.50
5	951-3078RP		290.50
6	951-3079RP		450.00
I.D. NO.	ITEM #58 HEX HD. SCREW		LIST PRICE(\$)
	HARDWARE		
I.D. NO.	ITEM #59 BEARING COVER		LIST PRICE(\$)
1	951-2402RP		86.50
2	951-2405RP		122.00
3	951-2406RP		180.50
I.D. NO.	ITEM #61 SHAFT		LIST PRICE(\$)
1	951-2396RP		237.00
2	951-2407RP		519.00
3	951-2408RP		556.00
I.D. NO.	ITEM #61 SHAFT		LIST PRICE(\$)
1	951-2949RP		608.00
2	951-2950RP		733.00
3	951-2951RP		1,165.00
I.D. NO.	ITEM #64 RETAINING RING		LIST PRICE(\$)
1	15-125RP		50.15
2	15-140RP		7.25
3	15-141RP		40.70
I.D. NO.	ITEM #65 GREASE FITTING		LIST PRICE(\$)
1	15-203RP		15.45

I.D. NO.	ITEM #72 FRAME ASSEMBLY.		LIST PRICE(\$)
1	951-2481RP (CS)		643.00
2	951-2493RP (CS)		1,241.00
3	951-2494RP (CS)		2,013.00
4	951-2952RP (SS)		1,010.00
5	951-2953RP (SS)		1,452.00
6	951-2954RP (SS)		2,700.00
ITEM #109 MOTOR COUPLER HALF			
PART	WOODS#	BORE	LIST PRICE(\$)
900-322RP	5J	7/8"	90.45
900-325RP	6J	7/8"	90.45
900-328RP	6J	1-3/8"	103.50
900-364RP	7S	1-3/8"	135.50
900-365RP	7S	1-5/8"	135.50
900-427RP	8S	1-3/8"	189.50
900-428RP	8S	1-5/8"	189.50
900-494RP	9S	1-5/8"	285.00
900-238RP	11S	1-5/8"	599.00
950-242RP	10S	1-5/8"	362.00
951-367RP	6S	1-5/8"	109.00
ITEM #109 PUMP COUPLER HALF			
PART	WOODS #	BORE	LIST PRICE(\$)
900-321RP	5J	5/8"	74.40
900-322RP	5J	7/8"	74.40
900-324RP	5J	1-1/8"	74.40
900-325RP	6J	7/8"	90.45
900-326RP	6J	1"	105.50
900-327RP	6J	1-1/8"	100.50
900-328RP	6J	1-3/8"	103.50
900-365RP	7S	1-5/8"	135.50
900-428RP	8S	1-5/8"	189.50
900-437RP	8S	1-7/8"	201.00
900-495RP	9S	1-7/8"	285.00
900-497RP	9S	2-1/8"	285.00
900-505RP	10S	2-1/8"	377.50
900-532RP	10S	2-3/8"	377.50
900-239RP	11S	2-7/8"	600.00
950-248RP	11S	2-3/8"	600.00
951-364RP	6S	1-3/8"	135.50
951-367RP	6S	1-5/8"	109.00
951-368RP	6S	1-5/8"	109.00

# CE Pumps & FE Pumps

Effective Date: February 04, 2013

303-128

PAGE 4 of 4

I.D. NO.	ITEM #111 RUBBER INSERT	LIST PRICE (\$)
900-512RP	5J	91.05
900-513RP	6J	154.00
900-514RP	7S	169.50
900-515RP	8S	362.00
900-516RP	9S	429.00
900-517RP	10S	572.00
I.D. NO	ITEM #176 BALL BEARING	LIST PRICE (\$)
1	E 951-2482RP	65.80
2	F 951-2491RP	125.50
3	G 951-2491RP	125.50
I.D. NO	ITEM #177	LIST PRICE (\$)
1	E 820-067RP	66.75
2	F 950-963RP	160.50
3	G 872-056RP	393.50

**Do it Once. Do it Right.™**

TACO INC., 1160 Cranston Street, Cranston, RI 02920 Telephone: (401) 942-8000 Fax: (401) 942-2360  
TACO (Canada), Ltd., 8450 Lawson Road, Milton, Ontario L9T 0J8 Telephone: (905) 564-9422 Fax: (905) 564-9436  
Visit our website at: [www.taco-hvac.com](http://www.taco-hvac.com)

Printed in USA

Copyright 2007

TACO, Inc.



# Replacement Parts List Prices

303-142  
PAGE 1 OF 2

## VI Pumps

Supersedes: January 31, 2011

Effective: February 04, 2013

I.D. NO.	ITEM #1 CASING	LIST PRICE (\$)
48	950-1047RP	535.00
49	950-1048RP	593.00
50	950-1049RP	645.00
51	950-1050RP	694.00
52	950-1051RP	762.00
53	950-1052RP	958.00
54	950-1053RP	705.00
55	950-1054RP	811.00
60	950-1059RP	1,185.00
61	950-1060RP	1,507.00
62	951-3203RP	346.00
63	951-3204RP	450.50
64	951-3205RP	561.00
65	951-3206RP	763.00
66	951-3207RP	1,419.00

I.D. NO.	ITEM #2 & #25 NUT	LIST PRICE (\$)
Hardware		

I.D. NO.	ITEM #3 NPT PLUG	LIST PRICE (\$)
Hardware		

I.D. NO.	ITEM #4 GASKET	LIST PRICE (\$)
1	950-021RP (6")	13.20
2	950-022RP (7")	15.05
3	950-023RP (8")	18.15
4	950-119RP (10")	19.15

I.D. NO.	ITEM #5 IMPELLER	DIAM.	LIST PRICE (\$) (BRZ.)
1	950-1061BRP	5.50	565.00
2	950-1062BRP	5.50	621.00
3	950-1063BRP	5.50	621.00
4	950-1064BRP	5.50	880.00
5	950-1065BRP	6.90	721.00
6	950-1066BRP	6.90	798.00
7	950-1067BRP	6.90	880.00
9	950-1069BRP	8.40	957.00
10	950-1070BRP	6.90	973.00
11	950-1071BRP	6.90	1,062.00
12	950-1072BRP	8.40	1,017.00
13	950-1073BRP	8.40	1,125.00
18	950-1078BRP	8.40	1,297.00
19	950-1079BRP	10.40	1,681.00
31	950-1091BRP	5.50	570.00
32	950-1092BRP	5.50	887.00
34	950-1094BRP	6.90	799.00
35	950-1095BRP	6.90	887.00
37	950-1097BRP	8.40	957.00
38	950-1098BRP	6.90	973.00
39	950-1099BRP	6.90	1,062.00
40	950-1100BRP	8.40	1,017.00
41	950-1101BRP	8.40	1,126.00
44	950-1104BRP	10.40	1,554.00
51	951-2413BRP	8.40	1,310.00
58	951-2503BRP	10.40	1,506.00

I.D. NO.	ITEM #6 IMPELLER WASHER	LIST PRICE (\$)
1	951-2578RP	28.20
2	951-2579RP	28.75

# VI Pumps

Effective Date: February 04, 2013

303-142

PAGE 2 Of 2

I.D. NO.	ITEM #8 IMPELLER BOLT	LIST PRICE (\$)
Hardware		

I.D. NO.	ITEM #9 IMPELLER KEY	LIST PRICE (\$)
Hardware		

I.D. NO.	ITEM #10 SLEEVE (SS)	LIST PRICE (\$)
1	951-3034RP	331.00
2	951-3035RP	401.50

I.D. NO.	ITEM #10 SLEEVE (BRZ)	LIST PRICE (\$)
1	951-3034BRP	176.50
2	951-3035BRP	232.00

I.D. NO.	ITEM #11 COVER	LIST PRICE (\$)
4	951-2277RP	280.00
5	951-2278RP	273.00
6	951-2279RP	309.00
7	951-2280RP	304.00
8	951-2281RP	341.00
9	951-2282RP	341.00
10	951-2283RP	418.00
11	951-2285RP	384.50
12	951-2287RP	421.00
13	951-2289RP	462.00
15	951-2292RP	484.50
16	951-2293RP	466.50
17	951-2301RP	503.00
18	951-2304RP	529.00

I.D. NO.	ITEM #13 TUBE FITTING KIT	LIST PRICE (\$)
1	951-3235RP	81.50

I.D. NO.	ITEM #15 SLEEVE GASKET	LIST PRICE (\$)
1	951-3041RP	14.65
2	951-3042RP	6.20

I.D. NO.	ITEM #16 STUD W/NUT	LIST PRICE (\$)
HARDWARE		

I.D. NO.	ITEM #17 WEAR RING (BRZ.)	LIST PRICE (\$)
1	950-1163BRP	84.10
2	950-1164BRP	113.00
3	950-1165BRP	116.50
4	950-1166BRP	128.50
5	950-1167BRP	239.00
6	950-1168BRP	211.50

I.D. NO.	ITEM #20 STUD	LIST PRICE (\$)
HARDWARE		

I.D. NO.	ITEM #21 WATER SEAL TYPE	LIST PRICE (\$)
3	951-3159RP "D"	676.00
4	951-3160RP "D"	761.00
5	951-3161RP "E"	237.00
6	951-3162RP "E"	475.00

I.D. NO.	ITEM #30 SEAL KIT TYPE	LIST PRICE (\$)
5	951-3159SRP "D"	1,023.00
6	951-3159BRP "D"	902.00
7	951-3160SRP "D"	1,092.00
8	951-3160BRP "D"	961.00
9	951-3161SRP "E"	628.00
10	951-3161BRP "E"	504.00
11	951-3162SRP "E"	1,444.00
12	951-3162BRP "E"	849.00

Parts breakdown contain seal kit B.O.M.

**Do it Once. Do it Right.™**

TACO INC., 1160 Cranston Street, Cranston, RI 02920 Telephone: (401) 942-8000 Fax: (401) 942-2360  
TACO (Canada), Ltd., 8450 Lawson Road, Milton, Ontario L9T 0J8 Telephone: (905) 564-9422 Fax: (905) 564-9436  
Visit our website at: [www.taco-hvac.com](http://www.taco-hvac.com)

Printed in USA

Copyright 2006

TACO, Inc.



# Replacement Parts List Prices

303-144  
PAGE 1 OF 10

## KV and KS Vertical In-Line Pumps

Supersedes: January 31, 2011

Effective: February 04, 2013

I.D. NO.	ITEM #1 IMPELLER	LIST PRICE (\$)
1	953-1037RP	1,158.00
2	953-1038RP	1,185.00
3	953-1039RP	788.00
4	953-1040RP	1,728.00
5	953-1051RP	563.00
6	953-1052RP	573.00
7	953-1053RP	658.00
8	953-1054RP	666.00
9	953-1055RP	725.00
10	953-1056RP	733.00
11	953-1066RP	1,322.00
12	953-1067RP	694.00
13	953-1068RP	1,335.00
14	953-1069RP	705.00
15	953-1079RP	857.00
16	953-1080RP	558.00
17	953-1088RP	788.00
18	953-1089RP	875.00
19	953-1097RP	1,486.00
20	953-1098RP	1,551.00
21	953-1100RP	1,465.00
22	953-1101RP	1,492.00
23	953-1102RP	930.00
24	953-1103RP	940.00
25	953-1109RP	1,185.00
26	953-1110RP	1,758.00
27	953-1111RP	946.00
28	953-1112RP	958.00
29	953-1120RP	1,766.00
30	953-1121RP	1,793.00
31	953-1122RP	1,023.00
32	953-1123RP	1,035.00
33	953-1136RP	2,030.00
34	953-1137RP	2,058.00
35	953-1138RP	1,023.00
36	953-1139RP	1,126.00
37	953-1148RP	1,984.00
38	953-1149RP	2,425.00
39	953-1156RP	2,003.00

I.D. NO.	ITEM #1 IMPELLER	LIST PRICE (\$)
40	953-1157RP	2,445.00
41	953-1158RP	1,954.00
42	953-1159RP	2,397.00
43	953-1181RP	2,520.00
44	953-1182RP	3,080.00
45	953-1193RP	4,430.00
46	953-1194RP	5,790.00
47	953-1195RP	3,940.00
48	953-1196RP	3,630.00
49	953-1203RP	2,095.00
50	953-1204RP	901.00
51	953-1205RP	2,132.00
52	953-1206RP	911.00
53	953-1217RP	1,363.00
54	953-1218RP	998.00
55	953-1219RP	1,259.00
56	953-1220RP	1,015.00
57	953-1233RP	658.00
58	953-1234RP	733.00
59	953-1235RP	666.00
60	953-1236RP	744.00
61	953-1347RP	828.00
62	953-1348RP	394.00
63	953-1358RP	946.00
64	953-1359RP	451.00
65	953-1370RP	1,486.00
66	953-1371RP	921.00
67	953-1372RP	1,513.00
68	953-1373RP	930.00
69	953-1601RP	2,630.00
70	953-1602RP	3,630.00
71	953-555RP	1,007.00
72	953-556RP	1,126.00
73	953-557RP	1,158.00
74	953-558RP	1,384.00
75	953-559RP	1,372.00
76	953-560RP	1,178.00
77	953-561RP	1,289.00
78	953-930RP	489.00

All prices subject to change without notice.



# KV and KS Vertical In-Line Pumps

**Effective Date:** February 04, 2013

303-144

PAGE 2 of 10

I.D. NO.	ITEM #1 IMPELLER	LIST PRICE (\$)
79	953-1613RP	443.50
80	953-1614RP	747.00
81	953-1629RP	1,270.00
82	953-1630RP	1,388.00
83	953-1665RP	3,980.00
84	953-1666RP	3,000.00
85	953-1731RP	2,255.00
86	953-1732RP	2,255.00
87	953-1733RP	2,255.00
88	953-1734RP	2,255.00
89	953-1744RP	2,560.00
90	953-1745RP	2,560.00
91	953-1747RP	2,560.00
92	953-1748RP	2,560.00
93	953-1779RP	2,079.00
94	953-1780RP	2,079.00
95	953-1781RP	2,079.00
96	953-1782RP	2,079.00
97	953-1971RP	2,680.00
98	953-1972RP	2,680.00
99	953-2164RP	2,120.00
100	953-2165RP	2,620.00
101	953-2174RP	1,220.00
102	953-2175RP	940.00
103	953-2176RP	1,216.00
104	953-2177RP	1,216.00
105	953-2178RP	1,362.00
106	953-2179RP	1,847.00
107	953-2180RP	1,368.00
108	953-2181RP	1,737.00
109	953-3158RP	5,890.00
110	953-3834RP	2,710.00

I.D. NO.	ITEM #2 CASING	LIST PRICE (\$)
15	953-1092RP	3,470.00
16	953-1093RP	5,050.00
17	953-1106RP	6,920.00
18	953-1107RP	7,580.00
19	953-1115RP	6,380.00
20	953-1116RP	7,030.00
21	953-1126RP	4,220.00
22	953-1127RP	5,810.00
23	953-1142RP	4,620.00
24	953-1143RP	6,210.00
25	953-1152RP	7,470.00
26	953-1153RP	8,170.00
27	953-1187RP	7,470.00
28	953-1188RP	8,170.00
29	953-1199RP	8,420.00
30	953-1200RP	9,390.00
31	953-1209RP	3,830.00
32	953-1210RP	5,450.00
33	953-1225RP	4,220.00
34	953-1226RP	5,810.00
35	953-1239RP	3,190.00
36	953-1240RP	4,780.00
37	953-1351RP	2,331.00
38	953-1352RP	3,990.00
39	953-1362RP	2,620.00
40	953-1363RP	4,220.00
41	953-1376RP	4,020.00
42	953-1377RP	5,650.00
43	953-1389RP	2,255.00
44	953-1391RP	3,620.00
45	953-1395RP	2,433.00
46	953-1397RP	3,950.00
47	953-1401RP	2,810.00
48	953-1403RP	4,330.00
49	953-1405RP	2,433.00
50	953-1407RP	4,020.00
51	953-1409RP	2,710.00
52	953-1411RP	4,220.00
53	953-1413RP	3,090.00
54	953-1415RP	4,630.00
55	953-1417RP	3,470.00

I.D. NO.	ITEM #2 CASING	LIST PRICE (\$)
1	953-1019RP	2,415.00
2	953-1049RP	3,950.00
3	953-1050RP	5,550.00
4	953-1057RP	2,910.00
5	953-1058RP	4,490.00
6	953-1059RP	4,370.00
7	953-1060RP	3,280.00
8	953-1061RP	4,880.00
9	953-1062RP	3,660.00
10	953-1063RP	5,250.00
11	953-1072RP	3,570.00
12	953-1073RP	5,190.00
13	953-1084RP	3,000.00
14	953-1085RP	4,630.00

# KV and KS Vertical In-Line Pumps

**Effective Date:** February 04, 2013

303-144

PAGE 3 of 10

I.D. NO.	ITEM #2 CASING	LIST PRICE (\$)
56	953-1419RP	4,970.00
57	953-1421RP	3,830.00
58	953-1423RP	5,380.00
59	953-1427RP	3,000.00
60	953-1429RP	4,490.00
61	953-1431RP	3,370.00
62	953-1433RP	4,880.00
63	953-1435RP	3,750.00
64	953-1437RP	5,250.00
65	953-1439RP	5,900.00
66	953-1441RP	6,850.00
67	953-1445RP	3,280.00
68	953-1447RP	4,780.00
69	953-1449RP	3,660.00
70	953-1451RP	5,190.00
71	953-1453RP	4,020.00
72	953-1455RP	5,550.00
73	953-1457RP	6,470.00
74	953-1459RP	7,440.00
75	953-1463RP	7,050.00
76	953-1465RP	8,000.00
77	953-1469RP	4,020.00
78	953-1471RP	5,550.00
79	953-1475RP	4,410.00
80	953-1477RP	5,900.00
81	953-1481RP	7,050.00
82	953-1483RP	8,000.00
83	953-1487RP	7,610.00
84	953-1489RP	8,960.00
85	953-1617RP	2,208.00
86	953-1619RP	525.00
87	953-1620RP	2,340.00
88	953-1622RP	2,243.00
89	953-1671RP	5,440.00
90	953-1674RP	6,790.00
91	953-2012RP	1,492.00
92	953-2013RP	978.00
93	953-2014RP	4,470.00
94	953-2015RP	4,400.00
95	953-2029RP	622.00
96	953-2030RP	3,450.00
97	953-2033RP	1,273.00
98	953-2034RP	3,340.00
99	953-2081RP	3,140.00
100	953-2082RP	3,520.00
101	953-2083RP	1,414.00

I.D. NO.	ITEM #2 CASING	LIST PRICE (\$)
102	953-2084RP	3,320.00
103	953-2086RP	4,200.00
104	953-2087RP	5,680.00
105	953-2088RP	1,932.00
106	953-2089RP	5,420.00
107	953-2106RP	1,548.00
108	953-2107RP	4,170.00
109	953-2108RP	1,978.00
110	953-2109RP	3,930.00
111	953-2185RP	3,080.00
112	953-2186RP	11,840.00
113	953-2187RP	3,080.00
114	953-2188RP	11,460.00
115	953-3154RP	14,840.00
116	953-3155RP	16,330.00
117	953-3836RP	7,550.00
118	953-3837RP	8,610.00

ID NO.	ITEM #3 WEAR RING (BRONZE) (OPTIONAL)	LIST PRICE (\$)
1	953-596RP	132.00
2	953-597RP	338.00
3	953-598RP	206.50
4	953-1076RP	160.00
5	953-1081RP	188.00
6	953-1095RP	282.50
7	953-1145RP	262.50
8	953-1155RP	301.00
9	953-1160RP	179.50
10	953-1180RP	358.00
11	953-1212RP	218.50
12	953-1221RP	188.00
13	953-1232RP	358.00
14	953-1357RP	197.50
15	953-1368RP	188.00
16	953-1386RP	262.50
17	953-1387RP	188.00
18	LE5263-12RP	218.50
19	LE5319-12RP	282.50
20	LE5689-12RP	121.50
21	953-3383RP	422.00

I.D. NO.	ITEM #4 COVER	LIST PRICE (\$)
1	953-1355RP	218.50
2	953-1295RP	1,221.00
3	953-1356RP	282.50
4	953-1168RP	282.50
5	953-1293RP	1,289.00
6	953-1169RP	328.00

# KV and KS Vertical In-Line Pumps

Effective Date: February 04, 2013

303-144

PAGE 4 of 10

I.D. NO.	ITEM #4 COVER	LIST PRICE
7	953-1366RP	271.50
8	953-1369RP	1,295.00
9	953-1367RP	282.50
10	953-1161RP	282.50
11	953-1162RP	328.00
12	953-1292RP	1,335.00
13	953-1163RP	358.00
14	953-1291RP	1,881.00
15	953-1242RP	320.50
16	953-1286RP	1,399.00
17	953-1243RP	554.00
18	953-1244RP	432.00
19	953-1285RP	2,540.00
20	953-1278RP	1,419.00
21	953-891RP	554.00
22	953-893RP	499.00
23	953-906RP	641.00
24	953-1277RP	1,627.00
25	953-844RP	218.50
26	953-1294RP	1,410.00
27	953-847RP	282.50
28	953-1164RP	282.50
29	953-1290RP	1,486.00
30	953-1165RP	328.00
31	953-1166RP	358.00
32	953-1289RP	595.00
33	953-1167RP	554.00
34	953-849RP	320.50
35	953-1284RP	1,683.00
36	953-853RP	375.00
37	953-900RP	432.00
38	953-1283RP	1,777.00
39	953-903RP	620.00
40	953-1213RP	554.00
41	953-1276RP	1,964.00
42	953-1214RP	554.00
43	953-1215RP	641.00
44	953-1275RP	2,058.00
45	953-1216RP	2,820.00
46	953-1133RP	1,600.00
47	953-1134RP	733.00
48	953-912RP	828.00
49	953-1264RP	2,339.00
50	953-916RP	987.00
51	953-562RP	282.50
52	953-1288RP	1,722.00

I.D. NO.	ITEM #4 COVER	LIST PRICE (\$)
53	953-564RP	328.00
54	953-566RP	358.00
55	953-1287RP	3,570.00
56	953-567RP	554.00
57	953-850RP	320.50
58	953-1282RP	1,868.00
59	953-854RP	375.00
60	953-901RP	432.00
61	953-1281RP	1,964.00
62	953-904RP	620.00
63	953-1228RP	554.00
64	953-1274RP	2,151.00
65	953-1229RP	499.00
66	953-1230RP	641.00
67	953-1273RP	2,247.00
68	953-1231RP	875.00
69	953-1266RP	2,331.00
70	953-1267RP	2,406.00
71	953-1135RP	744.00
72	953-1146RP	828.00
73	953-1147RP	969.00
74	953-1380RP	282.50
75	953-1384RP	1,862.00
76	953-1381RP	328.00
77	953-1382RP	358.00
78	953-1385RP	2,540.00
79	953-1383RP	554.00
80	953-1131RP	320.50
81	953-1280RP	2,105.00
82	953-1132RP	375.00
83	953-1129RP	432.00
84	953-1279RP	2,200.00
85	953-1130RP	2,960.00
86	953-1272RP	2,433.00
87	953-895RP	1,139.00
88	953-908RP	641.00
89	953-1271RP	2,530.00
90	953-911RP	875.00
91	953-1263RP	2,680.00
92	953-914RP	1,888.00
93	953-1262RP	2,810.00
94	953-1287RP	3,570.00
95	953-1261RP	3,950.00
96	953-1600RP	2,710.00
97	953-1192RP	641.00
98	953-1269RP	2,810.00
99	953-1191RP	875.00

# KV and KS Vertical In-Line Pumps

**Effective Date:** February 04, 2013

303-144

PAGE 5 of 10

I.D. NO.	ITEM #4 COVER	LIST PRICE (\$)
100	953-1175RP	2,970.00
101	953-915RP	1,931.00
102	953-1259RP	3,090.00
103	953-919RP	1,697.00
104	953-1258RP	4,220.00

I.D. NO.	ITEM #4 COVER	LIST PRICE (\$)
1	953-1265RP	1,730.00
2	953-1289RP	595.00
3	953-1631RP	1,572.00
4	953-1645RP	435.00
5	953-1646RP	364.50
6	953-1647RP	435.00
7	953-1648RP	423.50
8	953-1649RP	423.50
9	953-1679RP	1,203.00
10	953-1680RP	1,203.00
11	953-1681RP	1,061.00
12	953-1682RP	883.00
13	953-1740RP	282.50
14	953-1741RP	525.00
15	953-1742RP	525.00
16	953-1743RP	1,390.00
17	953-1755RP	301.00
18	953-1756RP	301.00
19	953-1757RP	358.00
20	953-1758RP	659.00
21	953-1788RP	301.00
22	953-1789RP	328.00
23	953-1790RP	282.50
24	953-1791RP	517.00
25	953-1802RP	1,545.00
26	953-1819RP	1,419.00
27	953-1820RP	511.00
28	953-1821RP	1,855.00
29	953-1905RP	259.50
30	953-1906RP	364.50
31	953-1907RP	659.00
32	953-1908RP	659.00
33	953-1963RP	1,372.00

I.D. NO.	ITEM #4 COVER	LIST PRICE (\$)
34	953-1964RP	993.00
35	953-1965RP	1,447.00
36	953-1967RP	825.00
37	953-1968RP	969.00
38	953-2016RP	423.50
39	953-2017RP	423.50
40	953-2110RP	423.50
41	953-2111RP	423.50
42	953-2170RP	389.00
43	953-2171RP	389.00
44	953-2172RP	389.00
45	953-2173RP	389.00
46	953-2189RP	423.50
47	953-2190RP	504.00
48	953-2193RP	546.00
49	953-3160RP	2,358.00

I.D. NO.	ITEM # 5 DOWDY WASHER	LIST PRICE (\$)
1	951-2578RP	28.20
2	951-2579RP	28.75
3	953-2651RP	29.50

I.D. NO.	ITEM #6 IMPELLER BOLT	LIST PRICE (\$)
1	10-257RP	18.80
2	10-259RP	23.45
3	10-262RP	22.15
4	10-261RP	18.40
5	10-274RP	19.75
6	10-279RP	23.90
7	10-252RP	19.75
8	10-285RP	25.20
9	10-295RP	23.45
10	10-1005RP	28.50

I.D. NO.	ITEM # 7 IMPELLER KEY	LIST PRICE (\$)
1	951-5166RP	64.50
2	951-5167RP	64.50
3	951-5168RP	97.65

I.D. NO.	ITEM # 8 IMPELLER WASHER	LIST PRICE (\$)
1	953-828RP	97.70
2	953-829RP	107.00
3	953-1099RP	116.50
4	953-3386RP	140.50

# KV and KS Vertical In-Line Pumps

**Effective Date:** February 04, 2013

303-144

PAGE 6 of 10

I.D. NO.	ITEM # 9 GASKET (CASING)	LIST PRICE (\$)
1	953-1008RP	15.00
2	953-1009RP	15.85
3	953-1010RP	20.65
4	953-1011RP	21.85
5	953-568RP	20.65
6	953-1864RP	18.80
7	953-3388RP	208.00

I.D. NO.	ITEM #10 SLEEVE	LIST PRICE (\$)
1	953-1118RP	282.50
2	953-1119RP	272.50
3	953-1170RP	290.50
4	953-1171RP	282.50
5	953-1861RP	408.50
6	953-1892RP	347.00
7	953-1887RP	429.50
8	953-1891RP	335.50

I.D. NO.	ITEM #11 SEAL	LIST PRICE (\$)
1	951-3157RP	272.50
2	951-3159RP	676.00
3	951-3161RP	237.00
4	951-3766RP	563.00
5	951-3781RP	978.00
6	951-3782RP	609.00
7	953-1326RP	1,701.00
8	953-1329RP	3,140.00
9	953-1332RP	4,080.00
10	951-3158RP	293.00
11	951-3160RP	761.00
12	951-3162RP	475.00
13	951-5158RP	1,126.00
14	951-5159RP	1,109.00
15	951-5160RP	1,035.00
16	953-1327RP	2,305.00
17	953-1330RP	3,620.00
18	953-1333RP	4,670.00
19	951-2966RP	358.00
20	951-2967RP	740.00
21	951-2968RP	299.00
22	951-5151RP	1,825.00
23	951-5152RP	2,088.00
24	951-5153RP	1,935.00
25	953-1328RP	2,970.00
26	953-1331RP	4,040.00
27	953-1334RP	5,290.00
28	950-675RP	783.00
29	950-678RP	1,475.00
30	950-681RP	1,842.00

I.D. NO.	ITEM #11 SEAL	LIST PRICE (\$)
31	951-4184RP	1,527.00
32	951-4187RP	2,720.00
33	951-4188RP	1,962.00
34	953-3163RP	6,950.00

I.D. NO.	ITEM # 12 SLEEVE GASKET	LIST PRICE (\$)
1	953-830RP	10.40
2	951-3042RP	6.20

I.D. NO.	ITEM #14 CASING BOLT (QTY20)	LIST PRICE (\$)
1	10-211RP	32.05
2	10-223RP	33.80
3	10-224RP	43.20
4	10-226RP	22.50
5	10-228RP	32.05
6	10-230RP	24.40
7	10-277RP	41.40
8	10-1006RP	28.20
9	10-1008RP	13.20

I.D. NO.	ITEM #16 COVER SCREW (QTY 10)	LIST PRICE (\$)
1	10-291RP	15.00
2	10-294RP	30.10

I.D. NO.	ITEM #18 PIPE PLUG (QTY 10)	LIST PRICE (\$)
1	16-104RP	35.80

I.D. NO.	ITEM # 20 MOTOR BOLT (QTY 20)	LIST PRICE (\$)
1	10-223RP	33.80
2	10-224RP	43.20
3	10-227RP	26.25
4	10-228RP	32.05
5	10-230RP	24.40
6	10-232RP	28.20
7	10-235RP	20.65
8	10-283RP	26.25
9	10-293RP	18.80
10	10-294RP	30.10

I.D. NO.	ITEM #22 DEFLECTOR	LIST PRICE (\$)
1	900-044RP	15.45
2	951-3065RP	12.20

I.D. NO.	ITEM #23 KEY - PUMP (QTY5)	LIST PRICE (\$)
1	13-119RP	13.20
2	13-127RP	28.20
3	13-135RP	64.00

► Indicates price correction.

# KV and KS Vertical In-Line Pumps

Effective Date: February 04, 2013

303-144

PAGE 7 of 10

I.D. NO.	ITEM #24 SUPPORT HEAD	LIST PRICE (\$)
1	953-1559RP	1,728.00
2	953-1555RP	5,370.00
3	953-1557RP	2,690.00
4	953-1558RP	2,339.00
5	953-1559RP	1,728.00
6	953-1560RP	1,890.00
7	953-1561RP	1,617.00
8	953-1562RP	1,690.00
9	953-1576RP	1,627.00
10	935-1577RP	1,992.00
11	935-1578RP	1,777.00
12	953-1579RP	1,627.00
13	953-1599RP	2,255.00
14	953-1632RP	2,850.00
15	953-1633RP	2,890.00
16	953-3416RP	3,190.00

I.D. NO.	ITEM #25 CIRCULAR KEY - PUMP	LIST PRICE (\$)
1	953-1313RP	162.00
2	953-1314RP	168.50
3	953-1316RP	183.00
4	953-2934RP	189.00

I.D. NO.	ITEM #26 CASING WASHER (QTY24)	LIST PRICE (\$)
1	14-308RP	3.80
2	14-609RP	3.80
3	14-315RP	5.60
4	14-316RP	75.20

I.D. NO.	ITEM #27 MOTOR WASHER (QTY20)	LIST PRICE (\$)
1	14-101RP	3.80
2	14-102RP	5.60
3	14-103RP	7.70

I.D. NO.	ITEM # 29 IMPELLER GASKET	LIST PRICE (\$)
1	953-830RP	10.40
2	953-759RP	3.80

I.D. NO.	ITEM #30 SEAL CAP	LIST PRICE (\$)
1	953-1323RP	375.00
2	953-728RP	188.00
3	953-1319RP	181.00
4	953-1324RP	394.00
5	953-1318RP	310.50
6	953-2929RP	328.00
7	953-3034RP	177.00

I.D. NO.	ITEM # 31 SEAL CAP SCREW (QTY20)	LIST PRICE (\$)
1	10-214RP	41.40
2	10-230RP	24.40
3	10-293RP	18.80

I.D. NO.	ITEM #32 SEAL CAP GASKET (QTY 10)	LIST PRICE (\$)
1	953-761RP	15.00
2	759-162RP	5.60
3	953-763RP	5.60
4	953-3038RP	15.35

I.D. NO.	ITEM #35 TUBE KIT	LIST PRICE (\$)
1	953-1547RP	141.50

I.D. NO.	ITEM # 36 THROTTLE BUSHING	LIST PRICE (\$)
1	953-1320RP	310.50
2	953-1321RP	349.00
3	953-1322RP	385.00
4	953-2935RP	245.00

I.D. NO.	ITEM # 37 RETAINING RING (QTY 10)	LIST PRICE (\$)
1	15-147RP	99.55
2	15-148RP	150.00
3	15-149RP	385.00
4	15-151RP	99.55

I.D. NO.	ITEM #39 KEY - MOTOR (QTY5)	LIST PRICE (\$)
1	13-119RP	13.20
2	13-126RP	24.40
3	13-127RP	28.20

# KV and KS Vertical In-Line Pumps

**Effective Date:** February 04, 2013

303-144

PAGE 8 of 10

I.D. NO.	ITEM #40 SEAL KIT	LIST PRICE (\$)
1	953-1548-1RP	310.50
2	953-1548-2RP	694.00
3	953-1548-3RP	310.50
4	953-1548-4RP	375.00
5	953-1548-5RP	846.00
6	953-1548-6RP	385.00
7	953-1548-7RP	666.00
8	953-1548-8RP	998.00
9	953-1548-9RP	554.00
10	953-1548-10RP	883.00
11	953-1548-11RP	1,249.00
12	953-1548-12RP	978.00
13	953-1548-13RP	2,209.00
14	953-1548-14RP	1,766.00
15	953-1548-15RP	1,672.00
16	953-1548-16RP	2,317.00
17	953-1548-17RP	2,493.00
18	953-1548-18RP	4,200.00
19	953-1549-1BRP	375.00
20	953-1549-1RP	573.00
21	953-1549-2BRP	761.00
22	953-1549-2RP	987.00
23	953-1549-3BRP	349.00
24	953-1549-3RP	563.00
25	953-1549-4BRP	686.00
26	953-1549-4RP	705.00
27	953-1549-5BRP	1,139.00
28	953-1549-5RP	1,158.00
29	953-1549-6BRP	620.00
30	953-1549-6RP	630.00
31	953-1549-7BRP	1,062.00
32	953-1549-7RP	1,208.00
33	953-1549-8BRP	1,476.00
34	953-1549-8RP	1,645.00
35	953-1549-9BRP	1,126.00
36	953-1549-9RP	1,269.00
37	953-1549-10BRP	1,758.00
38	953-1549-10RP	1,864.00
39	953-1549-11BRP	1,750.00
40	953-1549-11RP	1,871.00
41	953-1549-12BRP	1,663.00
42	953-1549-12RP	1,845.00

I.D. NO.	ITEM # 41 SEAL CAP PLUG (QTY 10)	LIST PRICE (\$)
1	16-111RP	15.00

I.D. NO.	ITEM #42 MOTOR NUT (QTY 20)	LIST PRICE (\$)
1	12-110RP	11.30
2	12-114RP	9.35

I.D. NO.	ITEM # 43 COUPLING GUARD	LIST PRICE (\$)
1	953-1583RP	99.60
2	953-1584RP	69.50
3	953-1585RP	99.60
4	953-1586RP	99.60
5	953-3444RP	398.00
6	953-3445RP	398.00

I.D. NO.	ITEM #44 SHAFT	LIST PRICE (\$)
1	953-1298RP	225.00
2	953-1297RP	349.00
3	953-1296RP	423.00

I.D. NO.	ITEM #45 COUPLING	LIST PRICE (\$)
1	951-202RP	508.00
2	953-1309RP	761.00
3	953-1310RP	761.00
4	953-1311RP	694.00
5	953-1527RP	901.00
6	953-3035RP	426.00
7	953-2933RP	434.00
8	953-3015RP	498.50

I.D. NO.	ITEM #46 BOLT - COUPLING (QTY 12)	LIST PRICE (\$)
1	10-282RP	13.20
2	10-287RP	7.70

I.D. NO.	ITEM #47 NUT - COUPLING (QTY 12)	LIST PRICE (\$)
1	12-110RP	11.30
2	12-112RP	13.20

I.D. NO.	ITEM # 48 LOCK WASHER - COUPLING (QTY 12)	LIST PRICE (\$)
1	14-101RP	3.80
2	14-104RP	5.60

# KV and KS Vertical In-Line Pumps

Effective Date: February 04, 2013

303-144

PAGE 9 of 10

I.D. NO.	ITEM #49 CIRCULAR KEY - MOTOR	LIST PRICE (\$)
1	953-1312RP	153.50
2	953-1313RP	162.00
3	953-1316RP	183.00
4	953-1315RP	153.50
5	953-1317RP	161.50
6	953-2934RP	189.00

I.D. NO.	ITEM #53 COUPLING GUARD SCREW (QTY 10)	LIST PRICE (\$)
1	10-926RP	5.60

I.D. NO.	ITEM # 81 SHAFT KIT	LIST PRICE (\$)
1	953-1608RP	647.00
2	953-1609RP	694.00
3	953-1610RP	752.00
4	953-1611RP	752.00
5	953-1612RP	930.00

VERTICAL IN-LINE FABRICATED FLANGE SUPPORTS		
PART NO.	SIZE	LIST PRICE (\$)
953-1651RP	3"	545.00
953-1652RP	4"	733.00
953-1653RP	5"	780.00
953-1654RP	6"	798.00
953-1656RP	8"	866.00
953-3083RP	10"	946.00
953-2865RP	12"	1,045.00
953-3121RP	14"	1,146.00

**Do it Once. Do it Right.™**

TACO INC., 1160 Cranston Street, Cranston, RI 02920 Telephone: (401) 942-8000 Fax: (401) 942-2360  
TACO (Canada), Ltd., 8450 Lawson Road, Milton, Ontario L9T 0J8 Telephone: (905) 564-9422 Fax: (905) 564-9436  
Visit our website at: [www.taco-hvac.com](http://www.taco-hvac.com)

Printed in USA

Copyright 2007

TACO, Inc.



# KV and KS Vertical In-Line Pumps

Effective Date: February 04, 2013

303-144

PAGE 10 of 10

PUMP SUPPORT STANDS ITEM # 70		
PART NO.	PUMP MODELS	LIST PRICE (\$)
953-3907RP	KV/KS 1506	289.50
953-3966RP	KV/KS 4007	388.50
953-3967RP	KV/KS 2510, 4075	480.00
953-3968RP	KV/KS 6009	972.00
953-3969RP	KS 1013, 1016	1,297.00
953-3970RP	KS 1217	4,060.00
953-3973RP	KV/KS 3013	780.00
953-3974RP	KV/KS 4009	780.00
953-3976RP	KV/KS 4011	732.00
953-3983RP	KV/KS 3009	480.00
953-3985RP	KV/KS 2011	390.00
953-3986RP	KV/KS 2006, 2009	388.50
953-3988RP	KV/KS 6011	972.00
953-3989RP	KS 8016	1,297.00
953-3991RP	KV/KS 8011	1,298.00
953-3995RP	KS 1415	3,800.00
953-3996RP	KS 1213	3,800.00
953-4062RP	KV/KS 1507, 1509	289.50
953-4063RP	KV/KS 2007, 3007	388.50
953-4064RP	KV/KS 2508	388.50
953-4065RP	KV/KS 3011	480.00
953-4066RP	KV/KS 3006	480.00
953-4067RP	KV/KS 4013	780.00
953-4068RP	KV/KS 5007, 5075, 5095	972.00
953-4069RP	KV/KS 6013	972.00
953-4070RP	KV/KS 8013	1,297.00

**Do it Once. Do it Right.™**

TACO INC., 1160 Cranston Street, Cranston, RI 02920 Telephone: (401) 942-8000 Fax: (401) 942-2360  
TACO (Canada), Ltd., 8450 Lawson Road, Milton, Ontario L9T 0J8 Telephone: (905) 564-9422 Fax: (905) 564-9436  
Visit our website at: [www.taco-hvac.com](http://www.taco-hvac.com)

Printed in USA

Copyright 2007

TACO, Inc.



# Replacement Parts List Prices

303-146  
PAGE 1 OF 11

## CI Pumps & FI Pumps

Supersedes: January 31, 2011

Updated: February 5, 2013

Effective: February 04, 2013

I.D. NO.	ITEM #1 IMPELLER PART NUMBER	PUMP MODEL	*	FI BEARING FRAME CODE LETTER	CI		DIAMETER		LIST PRICE(\$)
					MOTOR CODE LETTER	JM MOTOR FRAME	MIN	MAX	
1	953-555RP	1207	C	H	H,J & K	143-215	5.50	7.50	1,007.00
2	953-556RP	1507	C	H	H,J & K	143-215	5.50	7.50	1,126.00
3	953-557RP	1507	C	N/A	L,M & N	254-326	5.50	7.50	1,158.00
4	953-558RP	2507	C	N/A	H,J & K	143-215	5.50	7.50	1,384.00
5	953-559RP	2507	C	J	L,M & N	254-326	5.50	7.50	1,372.00
6	953-560RP	3007	C	N/A	H,J & K	143-215	5.50	7.50	1,178.00
7	953-561RP	3007	C	J	L,M & N	254-326	5.50	7.50	1,289.00
8	953-930RP	1207	B	H	H,J & K	143-215	5.50	7.50	489.00
9	953-1037RP	3009	C	N/A	H,J & K	143-215	6.75	9.25	1,158.00
10	953-1038RP	3009	C	J	L,M & N	254-326	6.75	9.25	1,185.00
11	953-1039RP	3009	B	N/A	H,J & K	143-215	6.75	9.25	788.00
12	953-1040RP	3009	B	J	L,M & N	254-326	6.75	9.25	1,728.00
13	953-1051RP	1507	B	H	H,J & K	143-215	5.50	7.50	563.00
14	953-1052RP	1507	B	N/A	L,M & N	254-326	5.50	7.50	573.00
15	953-1053RP	2507	B	N/A	H,J & K	143-215	5.50	7.50	658.00
16	953-1054RP	2507	B	J	L,M & N	254-326	5.50	7.50	666.00
17	953-1055RP	3007	B	N/A	H,J & K	143-215	5.50	7.50	725.00
18	953-1056RP	3007	B	J	L,M & N	254-326	5.50	7.50	733.00
19	953-1066RP	2509	C	N/A	H,J & K	143-215	6.75	9.25	1,322.00
20	953-1067RP	2509	B	N/A	H,J & K	143-215	6.75	9.25	694.00
21	953-1068RP	2509	C	J	L,M & N	254-326	6.75	9.25	1,335.00
22	953-1069RP	2509	B	J	L,M & N	254-326	6.75	9.25	705.00
23	953-1079RP	2506	C	H	H,J & K	143-215	4.25	6.25	857.00
24	953-1080RP	2506	B	H	H,J & K	143-215	4.25	6.25	558.00
25	953-1088RP	1511	B	N/A	H,J & K	143-215	8.25	11.25	788.00
26	953-1089RP	1511	B	J	L,M & N	254-326	8.25	11.25	875.00
27	953-1097RP	1511	C	N/A	H,J & K	143-215	8.25	11.25	1,486.00
28	953-1098RP	1511	C	J	L,M & N	254-326	8.25	11.25	1,551.00
29	953-1100RP	5011	C	N/A	H,J & K	143-215	8.25	11.25	1,465.00
30	953-1101RP	5011	C	J	L,M & N	254-326	8.25	11.25	1,492.00
31	953-1102RP	5011	B	N/A	H,J & K	143-215	8.25	11.25	930.00
32	953-1103RP	5011	B	J	L,M & N	254-326	8.25	11.25	940.00
33	953-1109RP	5009	C	N/A	H,J & K	143-215	6.75	9.25	1,185.00
34	953-1110RP	5009	C	J	L,M & N	254-326	6.75	9.25	1,758.00
35	953-1111RP	5009	B	N/A	H,J & K	143-215	6.75	9.25	946.00
36	953-1112RP	5009	B	J	L,M & N	254-326	6.75	9.25	958.00

\* C indicates Cast Iron Impeller.  
B indicates Bronze Impeller.

**All prices subject to change without notice.**

# CI Pumps and FI Pumps

Effective Date: February 04, 2013

303-146

PAGE 2 OF 11

I.D. NO.	ITEM #1 IMPELLER PART NUMBER	PUMP MODEL	*	FI BEARING FRAME CODE LETTER	CI		DIAMETER		LIST PRICE(\$)
					MOTOR CODE LETTER	JM MOTOR FRAME	MIN	MAX	
37	953-1120RP	2513	C	N/A	H,J & K	143-215	9.50	13.00	1,766.00
38	953-1121RP	2513	C	J	L,M & N	254-326	9.50	13.00	1,793.00
39	953-1122RP	2513	B	N/A	H,J & K	143-215	9.50	13.00	1,023.00
40	953-1123RP	2513	B	J	L,M & N	254-326	9.50	13.00	1,035.00
41	953-1136RP	3013	C	N/A	H,J & K	143-215	9.50	13.00	2,030.00
42	953-1137RP	3013	C	J	L,M & N	254-326	9.50	13.00	2,058.00
43	953-1138RP	3013	B	N/A	H,J & K	143-215	9.50	13.00	1,023.00
44	953-1139RP	3013	B	J	L,M & N	254-326	9.50	13.00	1,126.00
45	953-1148RP	5013	C	N/A	L,M & N	254-326	9.50	13.00	1,984.00
46	953-1149RP	5013	B	N/A	L,M & N	254-326	9.50	13.00	2,425.00
47	953-2508RP	2007	C	H	N/A	N/A	5.00	7.25	641.00
48	953-2509RP	2007	B	H	N/A	N/A	5.00	7.25	670.00
49	953-2176RP	2508	C	J	N/A	N/A	6.70	8.70	1,216.00
50	953-2177RP	2508	B	J	N/A	N/A	6.70	8.70	1,216.00
51	953-2556RP	2009	C	J	N/A	N/A	6.00	9.00	684.00
52	953-2557RP	2009	B	J	N/A	N/A	6.00	9.00	717.00
53	953-2342RP	4009	C	J	N/A	N/A	7.50	9.50	1,067.00
54	953-2343RP	4009	B	J	N/A	N/A	7.50	9.25	1,113.00
55	953-1156RP	5013	C	L	N/A	N/A	9.50	13.00	2,003.00
56	953-1157RP	5013	B	L	N/A	N/A	9.50	13.00	2,445.00
57	953-1158RP	5013	C	N/A	H,J & K	143-215	9.50	13.00	1,954.00
58	953-1159RP	5013	B	N/A	H,J & K	143-215	9.50	13.00	2,397.00
59	953-1181RP	6011	C	J	L,M & N	254-326	8.25	11.25	2,520.00
60	953-1182RP	6011	B	J	L,M & N	254-326	8.25	11.25	3,080.00
61	953-1195RP	6013	C	L	N/A	N/A	9.50	13.00	3,940.00
62	953-1196RP	6013	B	L	N/A	N/A	9.50	13.00	3,630.00
63	953-1203RP	2511	C	N/A	H,J & K	143-215	8.25	11.25	2,095.00
64	953-1204RP	2511	B	N/A	H,J & K	143-215	8.25	11.25	901.00
65	953-1205RP	2511	C	J	L,M & N	254-326	8.25	11.25	2,132.00
66	953-1206RP	2511	B	J	L,M & N	254-326	8.25	11.25	911.00
67	953-1217RP	3011	C	N/A	H,J & K	143-215	8.25	11.25	1,363.00
68	953-1218RP	3011	B	N/A	H,J & K	143-215	8.25	11.25	998.00
69	953-1219RP	3011	C	J	L,M & N	254-326	8.25	11.25	1,259.00
70	953-1220RP	3011	B	J	L,M & N	254-326	8.25	11.25	1,015.00
71	953-1233RP	1509	C	N/A	H,J & K	143-215	6.75	9.25	658.00
72	953-1234RP	1509	B	N/A	H,J & K	143-215	6.75	9.25	733.00
73	953-1235RP	1509	C	J	L,M & N	254-326	6.75	9.25	666.00
74	953-1236RP	1509	B	J	L,M & N	254-326	6.75	9.25	744.00
75	953-1347RP	1206	C	H	H,J & K	143-215	4.25	6.25	828.00
76	953-1348RP	1206	B	H	H,J & K	143-215	4.25	6.25	394.00
77	953-1358RP	1506	C	H	H,J & K	143-215	4.25	6.25	946.00
78	953-1359RP	1506	B	H	H,J & K	143-215	4.25	6.25	451.00
79	953-1370RP	4007	C	N/A	H,J & K	143-215	5.50	7.50	1,486.00
80	953-1371RP	4007	B	N/A	H,J & K	143-215	5.50	7.50	921.00

\* C indicates Cast Iron Impeller.

B indicates Bronze Impeller.

# CI Pumps and FI Pumps

**Effective Date:** February 04, 2013

**303-146**

PAGE 3 OF 3

I.D. NO.	ITEM #1 IMPELLER PART NUMBER	PUMP MODEL	*	FI BEARING FRAME CODE LETTER	CI		DIAMETER		LIST PRICE(\$)
					MOTOR CODE LETTER	JM MOTOR FRAME	MIN	MAX	
81	953-1372RP	4007	C	J	L,M & N	254-326	5.50	7.50	1,513.00
82	953-1373RP	4007	B	J	L,M & N	254-326	5.50	7.50	930.00
83	953-1731RP	5007	C	J	L,M & N	254-326	5.15	7.15	2,255.00
84	953-1732RP	5007	B	J	L,M & N	254-326	5.15	7.15	2,255.00
85	953-1733RP	5007	C	N/A	H,J & K	143-215	5.15	7.15	2,255.00
86	953-1734RP	5007	B	N/A	H,J & K	143-215	5.15	7.15	2,255.00
87	953-1744RP	5095	C	N/A	H,J & K	143-215	7.00	9.50	2,560.00
88	953-1745RP	5095	B	N/A	H,J & K	143-215	7.00	9.50	2,560.00
89	953-1747RP	5095	C	J	L,M & N	254-326	7.00	9.50	2,560.00
90	953-1748RP	5095	B	J	L,M & N	254-326	7.00	9.50	2,560.00
91	953-1779RP	4075	C	N/A	H,J & K	143-215	5.25	7.25	2,079.00
92	953-1780RP	4075	B	N/A	H,J & K	143-215	5.25	7.25	2,079.00
93	953-1781RP	4075	C	J	L,M & N	254-326	5.25	7.25	2,079.00
94	953-1782RP	4075	B	J	L,M & N	254-326	5.25	7.25	2,079.00
95	953-1971RP	6009	C	N/A	L,M & N	254-326	6.75	9.25	2,680.00
96	953-1972RP	6009	B	N/A	L,M & N	254-326	6.75	9.25	2,680.00
97	953-2180RP	2510	C	J	N/A	N/A	8.25	10.25	1,368.00
98	953-2181RP	2510	B	J	N/A	N/A	8.25	10.25	1,737.00
99	953-2350RP	4011	C	J	N/A	N/A	8.25	11.25	1,197.00
100	953-2351RP	4011	B	J	N/A	N/A	8.25	11.25	1,595.00
101	953-2413RP	4013	C	J	N/A	N/A	6.75	12.75	1,645.00
102	953-2414RP	4013	B	J	N/A	N/A	6.75	12.75	1,764.00
103	953-2058RP	8013	C	M	N/A	N/A	9.00	13.25	2,019.00
104	953-2059RP	8013	B	M	N/A	N/A	9.00	13.25	2,890.00
105	953-2504RP	2007	C	N/A	L,M & N	254-326	5.00	7.25	641.00
106	953-2505RP	2007	B	N/A	L,M & N	254-326	5.00	7.25	670.00
107	953-2174RP	2508	C	N/A	H,J & K	143-215	6.70	8.70	1,220.00
108	953-2175RP	2508	B	N/A	H,J & K	143-215	6.70	8.70	940.00
109	953-2558RP	2009	C	N/A	H,J & K	143-215	6.00	9.00	684.00
110	953-2559RP	2009	B	N/A	H,J & K	143-215	6.00	9.00	717.00
111	953-2340RP	4009	C	N/A	H,J & K	143-215	7.50	9.50	1,282.00
112	953-2341RP	4009	B	N/A	H,J & K	143-215	7.50	9.50	1,812.00
113	953-2178RP	2510	C	N/A	H,J & K	143-215	8.25	10.25	1,362.00
114	953-2179RP	2510	B	N/A	H,J & K	143-215	8.25	10.25	1,847.00
115	953-2348RP	4011	C	N/A	H,J & K	143-215	8.25	11.25	2,336.00
116	953-2349RP	4011	B	N/A	H,J & K	143-215	8.25	11.25	2,680.00
117	953-2411RP	4013	C	N/A	H,J & K	143-215	6.75	12.75	2,740.00
118	953-2412RP	4013	B	N/A	H,J & K	143-215	6.75	12.75	2,980.00

\* C indicates Cast Iron Impeller.

B indicates Bronze Impeller.

FI BEARING FRAME CODE	IMPELLER BORE
H	7/8"
J	1 1/4"
L	1 5/8"
M	1 7/8"

CI MOTOR CODE					
CODE LETTER	MOTOR FRAME	IMPELLER BORE	CODE LETTER	MOTOR FRAME	IMPELLER BORE
H	143-145JM	7/8"	L	254-256JM	1 1/4"
J	182-184JM		M	284-286JM	
K	213-215JM		N	324-326JM	

# CI Pumps and FI Pumps

**Effective Date:** February 04, 2013

303-146

PAGE 4 OF 11

I.D. NO.	ITEM #2 CASING			LIST PRICE(\$)
	PART NUMBER	MODEL	*	
1	953-2389RP	1207	B1	1,335.00
2	953-2390RP	1207	B2	1,551.00
3	953-2397RP	1507	B1	1,138.00
4	953-2398RP	1507	B2	1,390.00
5	953-2290RP	2507	B1	1,307.00
6	953-2291RP	2507	B2	1,758.00
7	953-2292RP	3007	B1	2,143.00
8	953-2293RP	3007	B2	2,640.00
9	953-2306RP	3009	B1	1,419.00
10	953-2307RP	3009	B2	2,790.00
11	953-2304RP	2509	B1	1,954.00
12	953-2284RP	2506	B1	1,542.00
13	953-2405RP	1511	B1	1,335.00
14	953-2322RP	5011	B1	4,530.00
15	953-2308RP	5009	B1	2,359.00
16	953-2326RP	2513	B1	3,200.00
17	953-2328RP	3013	B1	2,820.00
18	953-2330RP	5013	B1	2,970.00
19	953-2324RP	6011	B1	3,010.00
20	953-2332RP	6013	B1	6,610.00
21	953-2318RP	2511	B1	2,600.00
22	953-2320RP	3011	B1	2,780.00
23	953-2401RP	1509	B1	1,654.00
24	953-2285RP	2506	B2	1,523.00
25	953-2402RP	1509	B2	1,492.00
26	953-2305RP	2509	B2	1,606.00
27	953-2309RP	5009	B2	3,080.00
28	953-2406RP	1511	B2	1,654.00
29	953-2319RP	2511	B2	1,766.00
30	953-2321RP	3011	B2	3,550.00
31	953-2323RP	5011	B2	3,900.00
32	953-2325RP	6011	B2	6,030.00
33	953-2327RP	2513	B2	2,870.00
34	953-2329RP	3013	B2	3,800.00
35	953-2331RP	5013	B2	4,500.00
36	953-2333RP	6013	B2	6,180.00
37	953-2385RP	1206	B1	1,035.00
38	953-2286RP	1206	B2	1,307.00
39	953-2393RP	1506	B1	1,384.00
40	953-2394RP	1506	B2	1,289.00
41	953-2296RP	4007	B1	2,780.00
42	953-2297RP	4007	B2	2,116.00
43	953-2383RP	1206	C1	545.00
44	953-2384RP	1206	C2	1,158.00
45	953-2391RP	1506	C1	620.00

I.D. NO.	ITEM #2 CASING			LIST PRICE(\$)
	PART NUMBER	MODEL	*	
46	953-2392RP	1506	C2	1,158.00
47	953-1378RP	4007	C1	1,316.00
48	953-1379RP	4007	C2	1,915.00
49	953-1117RP	5009	C1	1,758.00
50	953-1248RP	5009	C2	2,940.00
51	953-1108RP	5011	C1	2,030.00
52	953-1252RP	5011	C2	3,740.00
53	953-1189RP	6011	C1	1,295.00
54	953-1253RP	6011	C2	5,240.00
55	953-1128RP	2513	C1	1,530.00
56	953-1254RP	2513	C2	2,810.00
57	953-1144RP	3013	C1	1,750.00
58	953-1255RP	3013	C2	2,790.00
59	953-1154RP	5013	C1	2,472.00
60	953-1256RP	5013	C2	4,250.00
61	953-2077RP	6013	C1	3,340.00
62	953-2078RP	6013	C2	5,980.00
63	953-1086RP	2506	C1	761.00
64	953-1245RP	2506	C2	1,390.00
65	953-2387RP	1207	C1	592.00
66	953-2388RP	1207	C2	1,476.00
67	953-2395RP	1507	C1	620.00
68	953-2396RP	1507	C2	1,280.00
69	953-588RP	2507	C1	788.00
70	953-589RP	2507	C2	1,476.00
71	953-590RP	3007	C1	1,126.00
72	953-591RP	3007	C2	2,493.00
73	953-2399RP	1509	C1	744.00
74	953-2400RP	1509	C2	1,372.00
75	953-1074RP	2509	C1	940.00
76	953-1247RP	2509	C2	1,504.00
77	953-1035RP	3009	C1	1,007.00
78	953-1036RP	3009	C2	2,660.00
79	953-2403RP	1511	C1	1,090.00
80	953-2404RP	1511	C2	1,410.00
81	953-1211RP	2511	C1	1,289.00
82	953-1250RP	2511	C2	1,606.00
83	953-1227RP	3011	C1	1,618.00
84	953-1251RP	3011	C2	3,260.00
85	953-2298RP	5007	B1	4,240.00
86	953-2299RP	5007	B2	4,750.00
87	953-1735RP	5007	C1	1,683.00
88	953-1736RP	5007	C2	4,650.00

\*B1 indicates w/Bronze Wear Ring & 125psi Working Pressure  
 B2 indicates w/Bronze Wear Ring & 250psi Working Pressure  
 C1 indicates 125psi Working Pressure  
 C2 indicates 250psi Working Pressure

# CI Pumps and FI Pumps

**Effective Date:** February 04, 2013

**303-146**

PAGE 5 OF 11

I.D. NO.	ITEM #2 CASING			LIST PRICE(\$)
	PART NUMBER	MODEL	*	
89	953-2310RP	5095	B1	4,390.00
90	953-2311RP	5095	B2	3,930.00
91	953-1749RP	5095	C1	1,745.00
92	953-1750RP	5095	C2	3,880.00
93	953-2294RP	4075	B1	3,480.00
94	953-2295RP	4075	B2	4,760.00
95	953-1783RP	4075	C1	1,361.00
96	953-1784RP	4075	C2	4,750.00
97	953-2312RP	6009	B1	7,270.00
98	953-2313RP	6009	B2	7,140.00
99	953-1973RP	6009	C1	2,580.00
100	953-1974RP	6009	C2	7,000.00
101	953-2502RP	2007	C1	842.00
102	953-2503RP	2007	C2	3,690.00
103	953-2506RP	2007	B1	3,310.00
104	953-2507RP	2007	B2	3,700.00
105	953-2018RP	2508	C1	912.00
106	953-2019RP	2508	C2	3,080.00
107	953-2300RP	2508	B1	3,260.00
108	953-2301RP	2508	B2	3,190.00
109	953-2552RP	2009	C1	2,870.00
110	953-2554RP	2009	C2	3,050.00
111	953-2553RP	2009	B1	3,000.00
112	953-2555RP	2009	B2	3,200.00
113	953-2336RP	4009	C1	3,360.00
114	953-2337RP	4009	C2	3,570.00
115	953-2338RP	4009	B1	4,020.00
116	953-2339RP	4009	B2	4,370.00
117	953-2038RP	2510	C1	1,189.00
118	953-2039RP	2510	C2	3,100.00
119	953-2314RP	2510	B1	3,750.00
120	953-2315RP	2510	B2	3,930.00
121	953-2344RP	4011	C1	3,700.00
122	953-2345RP	4011	C2	3,930.00
123	953-2346RP	4011	B1	4,240.00
124	953-2347RP	4011	B2	4,370.00
125	953-2407RP	4013	C1	4,430.00
126	953-2408RP	4013	C2	4,760.00
127	953-2409RP	4013	B1	4,560.00
128	953-2410RP	4013	B2	4,760.00
129	953-2249RP	8013	C1	4,580.00
130	953-2250RP	8013	C2	4,990.00
131	953-2251RP	8013	B1	4,710.00
132	953-2252RP	8013	B2	5,160.00

I.D. NO.	ITEM #3 WEAR RING	*	LIST PRICE(\$)
1	953-596RP	B	132.00
2	953-597RP	B	338.00
3	953-598RP	B	206.50
4	953-1076RP	B	160.00
5	953-1081RP	B	188.00
6	953-1095RP	B	282.50
7	953-1145RP	B	262.50
8	953-1155RP	B	301.00
9	953-1160RP	B	179.50
10	953-1180RP	B	358.00
11	953-1212RP	B	218.50
12	953-1221RP	B	188.00
13	953-1232RP	B	358.00
14	953-1357RP	B	197.50
15	953-1368RP	B	188.00
16	953-1386RP	B	262.50
17	953-1387RP	B	188.00
18	953-1739RP	B	290.50
19	953-1746RP	B	349.00
20	953-1772RP	B	366.50
21	953-1787RP	B	225.00
22	953-1988RP	C	188.00
23	953-1989RP	C	218.50
24	953-1990RP	C	234.50
25	953-1991RP	C	197.50
26	953-1992RP	C	338.00
27	953-1993RP	C	225.00
28	953-1994RP	C	244.00
29	953-1995RP	C	375.00
30	953-1996RP	C	310.50
31	953-1997RP	C	310.50
32	953-1998RP	C	234.50
33	953-1999RP	C	225.00
34	953-2000RP	C	282.50
35	953-2001RP	C	375.00
36	953-2002RP	C	460.50
37	953-2003RP	C	432.00
38	953-2004RP	C	244.00
39	953-2005RP	C	244.00
40	953-2006RP	C	290.50
41	953-2007RP	C	603.00
42	953-2008RP	C	225.00

\*B1 indicates w/Bronze Wear Ring & 125psi Working Pressure  
 B2 indicates w/Bronze Wear Ring & 250psi Working Pressure  
 C1 indicates 125psi Working Pressure  
 C2 indicates 250psi Working Pressure

# CI Pumps and FI Pumps

**Effective Date:** February 04, 2013

303-146

PAGE 6 OF 11

I.D. NO.	ITEM #3 WEAR RING	*	LIST PRICE(\$)
43	953-2009RP	C	282.50
44	953-2010RP	C	366.50
45	953-2011RP	C	489.00
46	953-2049RP	B	218.50
47	953-2050RP	B	121.50
48	953-2051RP	B	282.50

\* C indicates Cast Iron Impeller. B indicates Bronze Impeller.

I.D. NO.	ITEM #4 COVER	LIST PRICE(\$)
1	953-562RP	282.50
2	953-564RP	328.00
3	953-566RP	358.00
4	953-567RP	554.00
5	953-844RP	218.50
6	953-847RP	282.50
7	953-849RP	320.50
8	953-850RP	320.50
9	953-853RP	375.00
10	953-854RP	375.00
11	953-891RP	554.00
12	953-893RP	499.00
13	953-895RP	1,139.00
14	953-900RP	432.00
15	953-901RP	432.00
16	953-903RP	620.00
17	953-904RP	620.00
18	953-906RP	641.00
19	953-908RP	641.00
20	953-911RP	875.00
21	953-912RP	828.00
22	953-916RP	987.00
23	953-1129RP	432.00
24	953-1131RP	320.50
25	953-1132RP	375.00
26	953-1133RP	1,600.00
27	953-1134RP	733.00
28	953-1135RP	744.00
29	953-1146RP	828.00
30	953-1147RP	969.00
31	953-1161RP	282.50
32	953-1162RP	328.00
33	953-1163RP	358.00
34	953-1164RP	282.50
35	953-1165RP	328.00
36	953-1166RP	358.00

I.D. NO.	ITEM #4 COVER	LIST PRICE(\$)
37	953-1167RP	554.00
38	953-1168RP	282.50
39	953-1169RP	328.00
40	953-1176RP	987.00
41	953-1191RP	875.00
42	953-1192RP	641.00
43	953-1202RP	901.00
44	953-1213RP	554.00
45	953-1214RP	554.00
46	953-1215RP	641.00
47	953-1228RP	554.00
48	953-1229RP	499.00
49	953-914RP	1,888.00
50	953-915RP	1,931.00
51	953-918RP	262.50
52	953-919RP	1,697.00
53	953-1175RP	2,970.00
54	953-1230RP	641.00
55	953-1231RP	875.00
56	953-1242RP	320.50
57	953-1243RP	554.00
58	953-1244RP	432.00
59	953-1355RP	218.50
60	953-1356RP	282.50
61	953-1366RP	271.50
62	953-1367RP	282.50
63	953-1380RP	282.50
64	953-1381RP	328.00
65	953-1382RP	358.00
66	953-1383RP	554.00
67	953-1631RP	1,572.00
68	953-1740RP	282.50
69	953-1741RP	525.00
70	953-1742RP	525.00

I.D. NO.	ITEM #4 COVER	LIST PRICE(\$)
71	953-1743RP	1,390.00
72	953-1755RP	301.00
73	953-1756RP	301.00
74	953-1757RP	358.00
75	953-1788RP	301.00
76	953-1789RP	328.00
77	953-1790RP	282.50
78	953-1791RP	517.00
79	953-1819RP	1,419.00
80	953-1820RP	511.00
81	953-1821RP	1,855.00
82	953-1905RP	259.50
83	953-1906RP	364.50
84	953-1907RP	659.00
85	953-1908RP	659.00
86	953-1945RP	764.00
87	953-1963RP	1,372.00
88	953-1964RP	993.00
89	953-1977RP	1,487.00
90	953-1978RP	756.00
91	953-2334RP	883.00
92	953-2355RP	1,325.00
93	953-2356RP	492.50
94	953-2357RP	492.50
95	953-2358RP	492.50

# CI Pumps and FI Pumps

**Effective Date:** February 04, 2013

303-146

PAGE 7 OF 11

I.D. NO.	ITEM #4 COVER	LIST PRICE(\$)
96	953-2415RP	777.00
97	953-2416RP	883.00
98	953-2417RP	1,061.00
99	953-2511RP	247.50
100	953-2512RP	306.50
101	953-2595RP	756.00

I.D. NO.	ITEM #5 DOWDY WASHER	LIST PRICE(\$)
1	951-2578RP	28.20
2	951-2579RP	28.75
3	953-2518RP	36.90

I.D. NO.	ITEM #6 IMPELLER BOLT		LIST PRICE(\$)
	STAINLESS STEEL		
	PART NO.	SIZE	
1	10-259RP	3/8"NCx1" LG.	23.45
2	10-274RP	3/8"NCx1-3/4" LG.	19.75
3	10-252RP	3/8"NCx2" LG.	19.75
4	10-262RP	1/2"NCx1-1/4" LG.	22.15
5	10-295RP	1/2"NCx1-1/2" LG.	23.45
6	10-279RP	1/2"NCx1-3/4" LG.	23.90
7	10-285RP	1/2"NCx2" LG.	25.20
8	10-1015RP	5/8"NCx2" LG.	27.45

I.D. NO.	ITEM #7 IMPELLER KEY		LIST PRICE(\$)
	STAINLESS STEEL		
	PART NO.	SIZE	
1	13-105RP	3/16"x3/16"x1-1/8" LG.	34.90
2	13-142RP	3/16"x3/16"x1-7/8" LG.	36.65
3	13-141RP	3/16"x3/16"x2-1/8" LG.	41.40
4	13-115RP	1/4"x1/4"x2" LG.	44.15
5	13-144RP	1/4"x1/4"x2-1/2" LG.	46.05
6	13-143RP	1/4"x1/4"x2-3/4" LG.	47.00
7	13-140RP	3/8"x3/8"x2" LG.	49.90
8	13-147RP	1/2"X1/2"X2-1/2" LG.	18.70

I.D. NO.	ITEM #8 IMPELLER WASHER	LIST PRICE(\$)
	(QTY 1)	
1	953-828RP	97.70
2	953-829RP	107.00
3	953-1099RP	116.50
4	953-2519RP	126.00

I.D. NO.	ITEM #9 CASING GASKET	LIST PRICE(\$)
1	953-568RP	20.65
2	953-1008RP	15.00
3	953-1009RP	15.85
4	953-1010RP	20.65
5	953-1011RP	21.85
6	953-1864RP	18.80
7	953-1979RP	14.05
8	953-2253RP	22.15

I.D. NO.	ITEM #10 SLEEVE (ST. ST'L.)	LIST PRICE(\$)
1	953-1118RP (125 PSI)	282.50
2	953-1170RP (125 PSI)	290.50
3	953-1172RP (125 PSI)	320.50
4	953-1890RP (250 PSI)	375.00
5	953-1891RP (250 PSI)	335.50
6	953-1892RP (250 PSI)	347.00
7	953-2066RP (250 PSI)	980.00
8	953-2064RP (125 PSI)	1,068.00

I.D. NO.	ITEM #10 SLEEVE (BRZ)	LIST PRICE(\$)
1	953-1119RP (125 PSI)	272.50
2	953-1171RP (125 PSI)	282.50
3	953-1172RP (125 PSI)	320.50
4	953-1861RP (250 PSI)	408.50
5	953-1887RP (250 PSI)	429.50
6	953-1888RP (250 PSI)	349.00
7	953-2065RP (125 PSI)	796.00
8	953-2063RP (250 PSI)	1,197.00

I.D. NO.	ITEM #11 SEAL EPT (125psi WP)	TYPE	LIST PRICE(\$)
1	951-2966RP	B	358.00
2	951-2967RP	D	740.00
3	951-2968RP	E	299.00
4	951-3157RP	B	272.50
5	951-3158RP	B	293.00
6	951-3159RP	D	676.00
7	951-3160RP	D	761.00
8	951-3161RP	E	237.00
9	951-3162RP	E	475.00
10	950-969RP	B	717.00
11	950-971RP	D	1,368.00
12	950-973RP	E	876.00



# CI Pumps and FI Pumps

**Effective Date:** February 04, 2013

**303-146**

PAGE 8 OF 11

I.D. NO.	ITEM #11 SEAL EPT (250psi WP)	TYPE	LIST PRICE(\$)
1	951-3766RP	B	563.00
2	951-3781RP	D	978.00
3	951-3782RP	E	609.00
4	951-5151RP	B	1,825.00
5	951-5152RP	D	2,088.00
6	951-5153RP	E	1,935.00
7	951-5158RP	B	1,126.00
8	951-5159RP	D	1,109.00
9	951-5160RP	E	1,035.00
10	953-2575RP	B	862.00
11	953-2576RP	D	2,288.00
12	953-2577RP	E	2,167.00

I.D. NO.	ITEM #29 IMPELLER GASKET	LIST PRICE(\$)
1	953-830RP	10.40
2	953-759RP	3.80
3	951-5277RP	28.20

I.D. NO.	ITEM #35 TUBE FITTING KIT	LIST PRICE(\$)
1	953-1547RP	141.50

I.D. NO.	ITEM #38 SHAFT KEY STEEL		LIST PRICE(\$)
	PART NO.	SIZE	
1	13-103RP	3/16"x3/16"x1-3/8" (ST'L)	6.15
2	13-110RP	5/16"x5/16"x2" (ST'L)	12.20
3	13-147RP	1/2"x1/2"x2-1/2" (ST'L)	18.70

I.D. NO.	ITEM #12 SLEEVE GASKET	LIST PRICE(\$)
1	953-830RP	10.40
2	951-3042RP	6.20
3	951-5277RP	28.20
4	953-2564RP	32.25

I.D. NO.	ITEM #40 SEAL KIT (125psi WP) PART NUMBER	TYPE	LIST PRICE(\$)
1	953-1549-1RP	B	573.00
2	953-1549-1BRP	B	375.00
3	953-1549-2RP	D	987.00
4	953-1549-2BRP	D	761.00
5	953-1549-3RP	E	563.00
6	953-1549-3BRP	E	349.00
7	953-1549-4RP	B	705.00
8	953-1549-4BRP	B	686.00
9	953-1549-5RP	D	1,158.00
10	953-1549-5BRP	D	1,139.00
11	953-1549-6RP	E	630.00
12	953-1549-6BRP	E	620.00
13	953-1549-14RP	B	828.00
14	953-1549-14BRP	B	733.00
15	953-1549-15RP	D	1,109.00
16	953-1549-15BRP	D	1,015.00
17	953-1549-16RP	E	733.00
18	953-1549-16BRP	E	641.00
19	953-1549-38RP	B	862.00
20	953-1549-38BRP	B	2,009.00
21	953-1549-39RP	D	1,249.00
22	953-1549-39BRP	D	1,398.00
23	953-1549-40RP	E	1,414.00
24	953-1549-40BRP	E	1,151.00

I.D. NO.	ITEM #19 FRAME ASS'Y. SEALED BEARINGS	FRAME SIZE	LIST PRICE(\$)
1	953-2218RP ST'L SHAFT	H	725.00
2	953-2224RP SS SHAFT	H	1,146.00
3	953-2214RP ST'L SHAFT	J	1,446.00
4	953-2222RP SS SHAFT	J	2,189.00
5	953-2220RP ST'L SHAFT	L	2,116.00
6	953-2226RP SS SHAFT	L	2,352.00
7	953-3107RP ST'L SHAFT	N	3,560.00
8	953-3108RP SS SHAFT	N	4,250.00

I.D. NO.	ITEM #19 FRAME ASS'Y GREASEABLE BEARINGS	FRAME SIZE	LIST PRICE(\$)
1	953-2219RP ST'L SHAFT	H	1,221.00
2	953-2225RP SS SHAFT	H	1,654.00
3	953-2217RP ST'LSHAFT	J	1,606.00
4	953-2223RP SS SHAFT	J	2,352.00
5	953-2221RP ST'L SHAFT	L	2,493.00
6	953-2227RP SS SHAFT	L	3,330.00
7	953-3115RP ST'L SHAFT	N	3,850.00
8	953-3116RP SS SHAFT	N	5,070.00

I.D. NO.	ITEM #22 DEFLECTOR	LIST PRICE(\$)
1	900-043RP	13.20
2	900-044RP	15.45
3	951-3040RP	11.30
4	951-3065RP	12.20
5	953-2522RP	18.50

► Price has been modified.

# CI Pumps and FI Pumps

**Effective Date:** February 04, 2013

303-146

PAGE 9 OF 11

I.D. NO.	ITEM #40 SEAL KIT (250psi WP) PART NUMBER	TYPE	LIST PRICE(\$)
1	953-1549-7RP	B	1,208.00
2	953-1549-7BRP	B	1,062.00
3	953-1549-8RP	D	1,645.00
4	953-1549-8BRP	D	1,476.00
5	953-1549-9RP	E	1,269.00
6	953-1549-9BRP	E	1,126.00
7	953-1549-10RP	B	1,864.00
8	953-1549-10BRP	B	1,758.00
9	953-1549-11RP	D	1,871.00
10	953-1549-11BRP	D	1,750.00
11	953-1549-12RP	E	1,845.00
12	953-1549-12BRP	E	1,663.00
13	953-1549-17RP	B	2,273.00
14	953-1549-17BRP	B	2,189.00
15	953-1549-18RP	D	2,387.00
16	953-1549-18BRP	D	2,305.00
17	953-1549-19RP	E	2,387.00
18	953-1549-19BRP	E	2,305.00

I.D. NO.	ITEM #59 END CAP SEALED BEARINGS	FRAME SIZE	LIST PRICE(\$)
1	953-2201RP	H	47.00
2	953-2197RP	J	150.00
3	953-2208RP	L	103.50

I.D. NO.	ITEM #59 END CAP GREASEABLE BEARINGS	FRAME SIZE	LIST PRICE(\$)
1	953-2201RP	H	47.00
2	953-2197RP	J	150.00
3	953-2208RP	L	103.50

I.D. NO.	ITEM #61 SHAFT STEEL	FRAME SIZE	LIST PRICE(\$)
1	953-2202RP	H	150.00
2	953-2198RP	J	272.50
3	953-2209RP	L	479.00
4	953-3078RP	N	708.00

I.D. NO.	ITEM #61 SHAFT STAINLESS STEEL	FRAME SIZE	LIST PRICE(\$)
1	953-2204RP	H	583.00
2	953-2199RP	J	1,015.00
3	953-2210RP	L	705.00
4	953-3079RP	N	708.00

I.D. NO.	ITEM #54 V RING SEAL SEALED BEARINGS (REAR)	FRAME SIZE	LIST PRICE(\$)
1	953-1575-5RP	H	15.00
2	953-1575-3RP	J & L	16.95

I.D. NO.	ITEM # 64 RETAINING RING	FRAME SIZE	LIST PRICE(\$)
1	15-125RP	H	50.15
2	15-140RP	J	7.25
3	15-141RP	L	40.70
4	15-152RP	M	8.00

I.D. NO.	ITEM #54A V RING SEAL GREASEABLE BEARINGS (FRONT)	FRAME SIZE	LIST PRICE(\$)
1	953-1575-2RP	H	9.35
2	953-1575-3RP	J & L	16.95
3	953-1575-6RP	M	27.45

I.D. NO.	ITEM # 65 GREASE FITTING	FRAME SIZE	LIST PRICE(\$)
1	15-203RP	H,J,L & M	15.45

I.D. NO.	ITEM #57 HOUSING SEALED BEARINGS	FRAME SIZE	LIST PRICE(\$)
1	953-1563RP	H	179.50
2	953-1565RP	J	432.00
3	953-1857RP	L	479.00

I.D. NO.	ITEM #57 HOUSING GREASEABLE BEARINGS	FRAME SIZE	LIST PRICE(\$)
1	953-1865RP	H	423.00
2	953-1866RP	J	686.00
3	953-1867RP	L	1,530.00

# CI Pumps and FI Pumps

Effective Date: February 04, 2013

303-146

PAGE 10 OF 10

I.D. NO.	ITEM #109 PUMP COUPLER HALF			
	PART #	WOODS #	BORE	LIST PRICE(\$)
1	953-2427RP	WE2	7/8"	53.40
2	953-2433RP	WE3	7/8"	73.65
3	953-2437RP	WE3	1-3/8"	78.90
4	953-2443RP	WE4	1-3/8"	122.50
5	953-2445RP	WE4	1-5/8"	122.50
6	953-2450RP	WE5	1-3/8"	170.00
7	953-2452RP	WE5	1-5/8"	170.00
8	953-2454RP	WE5	1-7/8"	139.00
9	953-2458RP	WE10	1-3/8"	197.50
10	953-2460RP	WE10	1-5/8"	221.50
11	953-2462RP	WE10	1-7/8"	221.50
12	953-2467RP	WE20	1-3/8"	335.50
13	953-2469RP	WE20	1-5/8"	335.50
14	953-2471RP	WE20	1-7/8"	375.50
15	953-2476RP	WE30	1-5/8"	414.00
16	953-2479RP	WE40	1-5/8"	539.00
17	953-2569RP	WE30	1-7/8"	414.00
18	953-2570RP	WE40	1-7/8"	539.00
19	953-2571RP	WE50	1-7/8"	1,048.00

I.D. NO.	ITEM #111 RUBBER INSERT			
	PART #	WOODS #		LIST PRICE(\$)
1	953-2424RP	WE2		76.25
2	953-2430RP	WE3		120.00
3	953-2438RP	WE4		176.00
4	953-2446RP	WE5		258.50
5	953-2455RP	WE10		338.50
6	953-2464RP	WE20		582.00
7	953-2475RP	WE30		720.00
8	953-2478RP	WE40		939.00
9	953-2544RP	WE50		950.00

I.D. NO.	ITEM #176 BALL BEARING SEALED BEARING (FRONT)		FRAME	LIST PRICE(\$)
	PART NUMBER	ANSI SIZE		
1	820-1039RP	6306	H	65.80
2	953-2215RP	6309	J	121.50
3	951-5598RP	6311	L	394.00

I.D. NO.	ITEM #177 BALL BEARING SEALED BEARING (REAR)		FRAME	LIST PRICE(\$)
	PART NUMBER	ANSI SIZE		
1	953-2216RP	6205	H	37.50
2	951-5599RP	6209	J	272.50
3	951-5599RP	6209	L	272.50

I.D. NO.	ITEM #176 BALL BEARING GREASEABLE BEARING (FRONT)		FRAME	LIST PRICE(\$)
	PART NUMBER	ANSI SIZE		
1	820-067RP	6306	H	66.75
2	950-963RP	6309	J	160.50
3	872-056RP	6311	L	393.50
4	953-2520RP	CF	M	CF

I.D. NO.	ITEM #177 BALL BEARING GREASEABLE BEARING (REAR)		FRAME	LIST PRICE(\$)
	PART NUMBER	ANSI SIZE		
1	951-2482RP	6205	H	65.80
2	951-2491RP	6209	J	125.50
3	951-2491RP	6209	L	125.50
4	953-2521RP	CF	M	CF

I.D. NO.	ITEM #109A MOTOR COUPLER HALF			
	PART #	WOODS #	BORE	LIST PRICE(\$)
1	953-2427RP	WE2	7/8"	53.40
2	953-2429RP	WE2	1-1/8"	53.40
3	953-2433RP	WE3	7/8"	73.65
4	953-2435RP	WE3	1-1/8"	73.65
5	953-2437RP	WE3	1-3/8"	78.90
6	953-2445RP	WE4	1-5/8"	122.50
7	953-2441RP	WE4	1-1/8"	170.00
8	953-2452RP	WE5	1-5/8"	170.00
9	953-2454RP	WE5	1-7/8"	139.00
10	953-2462RP	WE10	1-7/8"	221.50
11	953-2463RP	WE10	2-1/8"	197.50
▶ 12	953-2472RP	WE20	2-1/8"	380.50
13	953-2474RP	WE20	2-3/8"	335.50
14	953-2477RP	WE30	2-3/8"	464.00
15	953-2480RP	WE40	2-7/8"	603.00
16	953-2543RP	WE40	3-3/8"	603.00
17	953-2549RP	WE50	3-3/8"	1,174.00

▶ Indicates price correction

# CI Pumps and FI Pumps

**Effective Date:** February 04, 2013

**303-146**

PAGE 11 OF 11

I.D. NO.	ITEM #26 PUMP BASE	LIST PRICE(\$)
1	953-2260RP	998.00
2	953-1684RP	875.00
3	953-1685RP	866.00
4	953-1686RP	866.00
5	953-2261RP	911.00
6	953-2335RP	911.00
7	953-2262RP	892.00
8	953-2263RP	883.00
9	953-2359RP	883.00
10	953-2360RP	883.00
11	953-2361RP	883.00
12	953-2264RP	883.00
13	953-2368RP	883.00
14	953-2265RP	946.00
15	953-2266RP	958.00
16	953-2363RP	958.00
17	953-2364RP	958.00
18	953-2365RP	958.00
19	953-2267RP	958.00
20	953-2375RP	1,090.00
21	953-2374RP	1,090.00
22	953-2377RP	1,090.00
23	953-2268RP	1,138.00
24	953-2378RP	1,138.00
25	953-1712RP	892.00
26	953-2269RP	998.00
27	953-1715RP	998.00
28	953-1716RP	940.00
29	953-2353RP	892.00
30	953-2270RP	1,178.00
31	953-1719RP	1,178.00
32	953-2366RP	958.00
33	953-1810RP	946.00
34	953-2367RP	958.00
35	953-2362RP	883.00
36	953-2354RP	892.00
37	953-1816RP	998.00
38	953-2369RP	883.00
39	953-2529RP	1,108.00
40	953-2531RP	1,182.00

I.D. NO.	ITEM #51 FRAME FOOT SUPPORT			LIST PRICE(\$)
	PART NUMBER	FI BEARING FRAME	MOTOR FRAME T or TS	
1	953-1634RP	H	143-145	18.80
2	953-1635RP	H	182-184	22.50
3	953-1636RP	H	213-215	24.40
4	953-1637RP	H	254-256	30.10
5	953-1639RP	J	213-215	30.10
6	953-1640RP	J	254-256	30.10
7	953-1641RP	J & L	284-286	37.50
8	953-1642RP	J & L	324-326	37.50
9	953-1643RP	J & L	364-365	75.20
10	953-1727RP	J & L	444-445	103.50

I.D. NO.	ITEM #29 & 29B MOTOR SPACER	LIST PRICE(\$)
1	951-5201RP	103.50
2	951-5202RP	234.50
3	951-5204RP	320.50
4	951-5205RP	188.00
5	951-5206RP	290.50
6	951-5207RP	272.50
7	951-5208RP	225.00
8	951-5210RP	113.00
9	951-5212RP	252.50
10	951-5213RP	113.00
11	953-1720RP	179.50
12	953-1728RP	272.50
13	953-1812RP	84.50
14	953-1813RP	150.00

I.D. NO.	ITEM #47 COUPLER GUARD	LIST PRICE(\$)
1	951-3074RP	157.00
2	951-3075RP	195.50
3	951-3076RP	231.00
4	951-3077RP	248.50
5	951-3078RP	290.50
6	951-3079RP	450.00
7	951-3140RP	206.50
8	951-3568RP	573.00
9	951-3574RP	563.00
10	951-3568RP	573.00

**Do it Once. Do it Right.™**

TACO INC., 1160 Cranston Street, Cranston, RI 02920 Telephone: (401) 942-8000 Fax: (401) 942-2360  
 TACO (Canada), Ltd., 8450 Lawson Road, Milton, Ontario L9T 0J8 Telephone: (905) 564-9422 Fax: (905) 564-9436  
 Visit our website at: [www.taco-hvac.com](http://www.taco-hvac.com)

Printed in USA

Copyright 2006

TACO, Inc.



## Suggested List Prices

303-150  
Page 1 of 2

### CI Pump Kits

**Supersedes:** January 31, 2011

**Effective:** February 05, 2013

CASING KIT		IMPELLER/SEAL KIT				COVER KIT					
PART NO.	PRICE(\$)	PART NO.	PRICE(\$)	PART NO.	PRICE(\$)	PART NO.	PRICE(\$)	PART NO.	PRICE(\$)	PART NO.	PRICE(\$)
KP6002	655.00	KP8021	659.00	KP8057	1,282.00	KP7000	225.00	KP7053	422.00	KP7094	703.00
KP6005	662.00	KP8022	701.00	KP8058	1,307.00	KP7001	230.50	KP7054	438.50	KP7095*	513.00
KP6006	872.00	KP8023	852.00	KP8059	1,069.00	KP7002	230.50	KP7055	463.00	KP7096*	539.00
KP6007	1,140.00	KP8024	800.00	KP8060	1,095.00	KP7003	323.50	KP7056*	463.00	KP7097*	567.00
KP6009 *	805.00	KP8025	901.00	KP8061	1,632.00	KP7008	398.00	KP7057	536.00	KP7098	366.00
KP6010	916.00	KP8026	1,020.00	KP8062	1,656.00	KP7021	323.50	KP7058	538.00	KP7099	417.00
KP6011	1,545.00	KP8027	1,073.00	KP8063	1,718.00	KP7022	325.50	KP7059	614.00	KP7100	436.00
KP6013	1,073.00	KP8028	1,390.00	KP8064	1,745.00	KP7023	338.00	KP7060	672.00	KP7101	506.00
KP6014	1,309.00	KP8029	1,125.00	KP8065*	1,347.00	KP7024	378.50	KP7061	692.00	KP7102	486.50
KP6015	1,796.00	KP8030*	1,198.00	KP8066*	1,401.00	KP7025*	407.50	KP7062	710.00	KP7103	498.00
KP6016	2,720.00	KP8031	1,251.00	KP8074	951.00	KP7026	420.50	KP7063	716.00	KP7104	422.00
KP6017	1,307.00	KP8032	1,467.00	KP8075	1,005.00	KP7027	422.00	KP7064	878.00	KP7105	469.50
KP6018	1,614.00	KP8033	1,133.00	KP8076*	1,169.00	KP7028	540.00	KP7065	958.00	KP7106	493.50
KP6021	1,179.00	KP8034	1,446.00	KP8077*	1,296.00	KP7029	619.00	KP7067	481.00	KP7107*	632.00
KP6022	1,485.00	KP8035	1,378.00	KP8067	1,428.00	KP7030	619.00	KP7068	491.00	KP7108*	645.00
KP6023	803.00	KP8036	1,550.00	KP8068	1,751.00	KP7031	488.50	KP7069	488.50	KP7109*	701.00
KP6024	1,563.00	KP8037	1,702.00	KP8069*	1,503.00	KP7033	338.00	KP7070*	530.00	KP7110*	776.00
KP6025	2,135.00	KP8038	1,655.00	KP8070*	1,852.00	KP7034	338.00	KP7071	560.00	KP7111	1,007.00
KP6026*	1,061.00	KP8040	930.00	KP8071	1,772.00	KP7035	393.00	KP7074	768.00	KP7112	1,011.00
KP6027	1,497.00	KP8041	1,036.00	KP8072	1,804.00	KP7036	393.00	KP7077	783.00	KP7113	1,024.00
KP6028*	1,614.00	KP8042	1,099.00	KP8978	1,347.00	KP7037	398.00	KP7078	891.00	KP7115	324.00
KP6029	1,731.00	KP8043	1,446.00	KP8079	1,401.00	KP7038	402.50	KP7079	989.00	KP7116	395.00
KP6031	572.00	KP8044	1,308.00	KP8080	1,198.00	KP7039	427.00	KP7080	1,007.00	KP7117	404.50
KP6032*	762.00	KP8045*	1,273.00	KP8081	1,273.00	KP7040	517.00	KP7081	538.00	KP7118	476.00
KP6033	418.00	KP8046	1,629.00	▶ KP8082	1,503.00	KP7041*	434.50	KP7082	381.00	KP7119*	388.50
KP6034	441.00	KP8047	1,813.00	▶ KP8083	1,852.00	KP7042	460.00	KP7083	436.50	KP7120*	393.50
KP6035	517.00	KP8048	1,218.00	▶ KP8084	1,169.00	KP7043	494.50	KP7084	471.00	KP7121*	397.50
KP6036	553.00	KP8049	1,502.00	▶ KP8085	1,296.00	KP7044	605.00	KP7085	511.00	KP7122*	400.00

▶ New Item added.

\* Discontinued CI Model - This kit may no longer be available. When ordering kits for new models, all three kits (casing, cover, impeller/seal must be for new model. Kits for discontinued models are not compatible with new model kits.

**All prices subject to change without notice.**

TACO INC., 1160 Cranston Street, Cranston, RI 02920 Telephone: (401) 942-8000 Fax: (401) 942-2360  
 TACO (Canada), Ltd., 8450 Lawson Road, Milton, Ontario L9T 0J8 Telephone: (905) 564-9422 Fax: (905) 564-9436  
 Visit our website at: [www.taco-hvac.com](http://www.taco-hvac.com)

Printed in USA  
 Copyright 2006  
 TACO, Inc.

# CI Pump Kits

303-150  
Page 2 of 2

CASING KIT		IMPELLER/SEAL KIT				COVER KIT					
PART NO.	PRICE(\$)	PART NO.	PRICE(\$)	PART NO.	PRICE(\$)	PART NO.	PRICE(\$)	PART NO.	PRICE(\$)	PART NO.	PRICE(\$)
KP6037	623.00	KP8050	1,544.00			KP7045	645.00	KP7086	385.50	KP7123	513.00
KP6038	852.00	KP8051	1,931.00			KP7046	645.00	KP7087	437.50	KP7124	539.00
KP6063	1,061.00	KP8052	2,530.00			KP7047	645.00	KP7088	445.50	KP7125	567.00
KP6064	805.00	KP8053	1,761.00			KP7048	842.00	KP7089	495.00	KP7126	407.50
KP6065	1,614.00	KP8054	1,722.00			KP7049	940.00	KP7090	529.00	KP7127	434.50
KP6066	762.00	KP8055	1,191.00			KP7051	398.00	KP7092	495.00	KP7128	463.00
		KP8056	1,213.00			KP7052	410.00	KP7093	529.00	KP7129	530.00
										KP7133	632.00
										KP7130	645.00
										KP7131	701.00
										KP7132	776.00
										KP7134	530.00
										KP7135	530.00
										KP7136	530.00
										KP7137	530.00

\* Discontinued CI Model - This kit may no longer be available. When ordering kits for new models, all three kits (casing, cover, impeller/seal must be for new model. Kits for discontinued models are not compatible with new model kits.

**All prices subject to change without notice.**

TACO INC., 1160 Cranston Street, Cranston, RI 02920 Telephone: (401) 942-8000 Fax: (401) 942-2360  
 TACO (Canada), Ltd., 8450 Lawson Road, Milton, Ontario L9T 0J8 Telephone: (905) 564-9422 Fax: (905) 564-9436  
 Visit our website at: [www.taco-hvac.com](http://www.taco-hvac.com)

Printed in USA  
 Copyright 2006  
 TACO, Inc.



# Suggested List Prices

## SCX 1700 Pump

303-156

**Supersedes:** January 31, 2011

**Effective:** February 05, 2013

PUMP MODEL	H.P.	VOLTAGE	PHASE	ENCLOSURE	IMPELLER DIAMETER	PUMP SIZE	LIST PRICE (\$)	WEIGHT Lbs/Kg
SCX1740-B78635	1/2	115/230	1	ODP	4.75"	1 x 1.25	728.00	29/13
SCX1740-B78636		208-230/460	3				747.00	
SCX1740-B78647		115/230	1	TEFC			940.00	32/15
SCX1740-B78648		230/460	3				959.00	
SCX1740-B78637	3/4	115/230	1	ODP	5"	1 x 1.25	794.00	38/17
SCX1740-B78638		208-230/460	3				816.00	
SCX1740-B78649		115/230	1	TEFC			1,003.00	41/19
SCX1740-B78650		230/460	3				1,003.00	
SCX1740-B78639	1	115/230	1	ODP	5.25"	1 x 1.25	870.00	47/21
SCX1740-B78640		208-230/460	3				876.00	
SCX1740-B78651		115/230	1	TEFC			1,057.00	50/23
SCX1740-B78652		230/460	3				1,057.00	
SCX1740-B78641	1 1/2	115/230	1	ODP	5.306"	1 x 1.25	959.00	62/28
SCX1740-B78642		208-230/460	3				988.00	
SCX1740-B78653		115/230	1	TEFC			1,187.00	65/30
SCX1740-B78654		230/460	3				1,187.00	
SCX1740-B78643	2	115/230	1	ODP	5.875"	1.25 x 1.5	1,211.00	77/35
SCX1740-B78644		208-230/460	3				1,130.00	
SCX1740-B78655		230	1	TEFC			1,312.00	80/36
SCX1740-B78656		208-230/460	3				1,312.00	
SCX1740-B78645	2 1/2	115/230	1	ODP	6.062"	1.25 x 1.5	1,349.00	90/41
SCX1740-B78646		208-230/460	3				1,284.00	
SCX1740-B78657		230	1	TEFC			1,549.00	93/42
SCX1740-B78658		208-230/460	3				1,549.00	

### SEAL OPTIONS

SEAL FACES	ELASTOMERS (Mechanical Seal/Volute "O" Ring)	LIST PRICE (\$)
Carbon/Ceramic	Viton	Standard
Carbon/Silicon Carbide	Viton	162.00
Silicon Carbide/Silicon Carbide	Viton	352.50

**Do it Once. Do it Right.™**

TACO INC., 1160 Cranston Street, Cranston, RI 02920 Telephone: (401) 942-8000 Fax: (401) 942-2360  
 TACO (Canada), Ltd., 8450 Lawson Road, Milton, Ontario L9T 0J8 Telephone: (905) 564-9422 Fax: (905) 564-9436  
 Visit our website at: [www.taco-hvac.com](http://www.taco-hvac.com)

Printed in USA

Copyright 2006

TACO, Inc.



# Suggested List Prices

303-157

PAGE 1 OF 2

## SCX 1700 Pump Replacement Parts

Supersedes: January 31, 2011

Effective: February 05, 2013

MOTOR						
PUMP MODEL	H.P.	VOLTAGE	PHASE	ENCLOSURE	LIST PRICE (\$)	WEIGHT Lbs/Kg
B80440	1/2	115/230	1	ODP	352.50	29/13
B80446		208-230/460	3		523.00	
B80452		115	1	TEFC	711.00	32/15
B80458		208-230/460	3		746.00	
B80441	3/4	115/230	1	ODP	378.50	38/17
B80459		208-230/460	3		564.00	
B80447		115	1	TEFC	794.00	41/19
B80453		208-230/460	3		747.00	
B80442	1	115/230	1	ODP	430.00	47/21
B80448		208-230/460	3		641.00	
B80454		115	1	TEFC	853.00	50/23
B80460		208-230/460	3		796.00	
B80443	1 1/2	115/230	1	ODP	490.50	62/28
B80449		208-230/460	3		724.00	
B80455		115	1	TEFC	941.00	65/30
B80461		208-230/460	3		943.00	
B80444	2	115/230	1	ODP	686.00	77/35
B80450		208-230/460	3		955.00	
B80456		230	1	TEFC	1,086.00	80/36
B80462		208-230/460	3		1,111.00	
B80445	2 1/2	115/230	1	ODP	885.00	90/41
B80451		208-230/460	3		1,137.00	
B80457		230	1	TEFC	1,332.00	93/42
B80463		208-230/460	3		1,256.00	

CASING/DIFFUSER ASSEMBLY		
PART NUMBER	HP	LIST PRICE (\$)
C101-285SS	1/2 to 1 1/2	290.50
C101-286SS	2 to 2 1/2	290.50



# SCX1700 Pump Replacement Parts

Effective Date: February 05, 2013

303-157

PAGE 2 OF 2

IMPELLER			
PART NUMBER	HP	PHASE	LIST PRICE (\$)
C105-92PNS	½	1	121.50
C105-92PNSA		3	127.50
C105-92PMS	¾	1	121.50
C105-92PMSA		3	127.50
C105-92PLS	1	1	121.50
C105-92PLSA		3	127.50
C105-92PBSS	1½	1	121.50
C105-92PBSSA		3	127.50
C105-214PCASS	2	1	154.00
C105-214PCASS		3	154.00
C105-214PASS	2½	1	154.00
C105-214PASS		3	154.00

PART NUMBER	DESCRIPTION	QTY	LIST PRICE (\$)
17351-0009	WATER SLINGER	1	2.10
C3-200SS	SEAL PLATE	1	33.10
U9-434	O-RING	1	74.60
U9-437	SHAFT SEAL	1	226.00
C30-14SS	IMPELLER SCREW	1	8.35
111P0990	WASHER	2	2.15
121P2100	ST. STEEL PLUG	2	2.90
121P0310	SCREW	8	2.10
U36-207SS	NUT (M 6X1)	8	3.00
J104-9F	BASE	1	33.75
J104-9A	BASE (1PH. TEFC ONLY)	1	47.30
C35-5	MOTOR PAD	1	2.75
U30-72SS	CAP SCREW (¾" x ¾")	1	6.20

**Do it Once. Do it Right.™**

TACO INC., 1160 Cranston Street, Cranston, RI 02920 Telephone: (401) 942-8000 Fax: (401) 942-2360  
 TACO (Canada), Ltd., 8450 Lawson Road, Milton, Ontario L9T 0J8 Telephone: (905) 564-9422 Fax: (905) 564-9436  
 Visit our website at: [www.taco-hvac.com](http://www.taco-hvac.com)

Printed in USA

Copyright 2006

TACO, Inc.



# Suggested List Prices Pump Accessories Plus Two Multi-Purpose Valve

303-160

**Supersedes:** January 31, 2011

**Effective:** February 04, 2013

**125 PSI UNITS**

Product Number	Size	Type	Price (\$)	Shipping Wt./Lbs.
MPV015-4	1½" NPT	Threaded	543.00	12 (005)
MPV020-4	2" NPT	Threaded	659.00	12 (005)
MPV025-4	2½" NPT	Threaded	713.00	32 (015)
MPV030-4	3" / 125#	Flanged	821.00	38 (017)
MPV040-4	4" / 125#	Flanged	1,661.00	67 (030)
MPV050-4	5" / 125#	Flanged	1,965.00	105 (048)
MPV060-4	6" / 125#	Flanged	2,450.00	134 (061)
MPV080-4	8" / 125#	Flanged	4,240.00	293 (133)
MPV100-4	10" / 125#	Flanged	6,080.00	466 (212)
MPV120-4	12" / 125#	Flanged	10,950.00	724 (329)
MPV140-4	14" / 125#	Flanged	15,900.00	900 (409)

**250 PSI UNITS**

Product Number	Size	Type	Price (\$)	Shipping Wt./Lbs.
MPV015-4*	1½" NPT	Threaded	543.00	12 (005)
MPV020-4*	2" NPT	Threaded	659.00	12 (005)
MPV025-4*	2½" NPT	Threaded	713.00	32 (015)
MPV030-4A	3" / 250#	Flanged	917.00	46 (021)
MPV040-4A	4" / 250#	Flanged	1,847.00	84 (038)
MPV050-4A	5" / 250#	Flanged	2,093.00	126 (057)
MPV060-4A	6" / 250#	Flanged	2,720.00	176 (080)
MPV080-4A	8" / 250#	Flanged	4,760.00	341 (155)
MPV100-4A	10" / 250#	Flanged	6,800.00	536 (243)
MPV120-4A	12" / 250#	Flanged	12,620.00	811 (368)
MPV140-4A	14" / 250#	Flanged	18,290.00	987 (448)

\*This model is rated for both 125 psi and 250 psi

**125 / 250 PSI UNITS**

Product Number	Size	Type	Price (\$)	Shipping Wt./Lbs.
MPVG015-4	1½" / 250#	Grooved	543.00	10 (005)
MPVG020-4	2" / 250#	Grooved	659.00	10 (005)
MPVG025-4	2½" / 250#	Grooved	713.00	16 (007)
MPVG030-4	3" / 250#	Grooved	821.00	22 (010)
MPVG040-4	4" / 250#	Grooved	1,661.00	43 (020)
MPVG050-4	5" / 250#	Grooved	1,965.00	78 (035)
MPVG060-4	6" / 250#	Grooved	2,450.00	106 (048)
MPVG080-4	8" / 250#	Grooved	4,240.00	240 (109)
MPVG100-4	10" / 250#	Grooved	6,080.00	395 (179)
MPVG120-4	12" / 250#	Grooved	10,950.00	609 (276)
MPVG140-4	14" / 250#	Grooved	15,900.00	789 (358)

Metric weights are in kilograms and are presented in ( )

**All pricing subject to change without notice**

**Do it Once. Do it Right.®**

TACO INC., 1160 Cranston Street, Cranston, RI 02920 Telephone: (401) 942-8000 Fax: (401) 942-2360  
 TACO (Canada), Ltd., 8450 Lawson Road, Milton, Ontario L9T 0J8 Telephone: (905) 564-9422 Fax: (905) 564-9436  
 Visit our website at: [www.taco-hvac.com](http://www.taco-hvac.com)

Printed in USA

Copyright 2006

TACO, Inc.



# Suggested List Prices Pump Accessories

303-161  
Page 1 OF 2

## Suction Diffusers — Rear Strainer Pullout (RSP)

Supersedes: January 31, 2011

Updated September 12, 2013

Effective: February 04, 2013

### 125 PSI FLANGED UNITS

Model	Connection Size	List Price (\$)	Wgt. lbs/(kgs)
SD020015-4	2 x 1½	462.50	22 (010)
SD020020-4	2 x 2	480.50	24 (011)
SD025020-4	2½ x 2	501.00	27 (012)
SD030020-4	3 x 2	578.00	29 (013)
SD025025-4	2½ x 2½	830.00	38 (017)
SD030025-4	3 x 2½	846.00	38 (017)
▶ SD040025-5	4 x 2½	897.00	52 (024)
SD030030-4	3 x 3	859.00	50 (023)
SD040030-4	4 x 3	978.00	55 (025)
▶ SD050030-5	5 x 3	1,067.00	65 (030)
SD040040-4	4 x 4	1,136.00	73 (033)
SD050040-4	5 x 4	1,292.00	75 (034)
SD060040-4	6 x 4	1,343.00	79 (036)
SD050050-4	5 x 5	1,544.00	90 (041)
SD060050-4	6 x 5	1,622.00	96 (044)
▶ SD080050-5	8 x 5	1,896.00	151 (069)
SD060060-4	6 x 6	1,703.00	151 (069)
SD080060-4	8 x 6	1,905.00	170 (077)
SD100060-4	10 x 6	3,830.00	182 (083)
SD080080-4	8 x 8	3,320.00	271 (123)
SD100080-4	10 x 8	3,960.00	289 (129)
SD120080-4	12 x 8	5,830.00	305 (138)
SD100100-4	10 x 10	5,530.00	400 (182)
SD120100-4	12 x 10	6,470.00	420 (191)
SD140100-4	14 x 10	7,640.00	441 (200)
SD120120-4	12 x 12	7,270.00	584 (267)
SD140120-4	14 x 12	9,420.00	617 (280)
SD160120-4	16 x 12	9,580.00	651 (296)
SD140140-4	14 x 14	10,760.00	895 (406)
SD160140-4	16 x 14	11,230.00	934 (424)

### 250 PSI FLANGED UNITS

Model	Connection Size	List Price (\$)	Wgt. lbs/(kgs)
SD020015-4A	2 x 1½	546.00	27 (012)
SD020020-4A	2 x 2	566.00	28 (013)
SD025020-4A	2½ x 2	591.00	35 (016)
SD030020-4A	3 x 2	682.00	39 (018)
SD025025-4A	2½ x 2½	978.00	54 (025)
SD030025-4A	3 x 2½	999.00	52 (024)
▶ SD040025-5A	4 x 2½	1,089.00	65 (030)
SD030030-4A	3 x 3	1,010.00	66 (030)
SD040030-4A	4 x 3	1,156.00	72 (033)
▶ SD050030-5A	5 x 3	1,271.00	83 (038)
SD040040-4A	4 x 4	1,341.00	91 (041)
SD050040-4A	5 x 4	1,526.00	97 (044)
SD060040-4A	6 x 4	1,585.00	109 (049)
SD050050-4A	5 x 5	1,821.00	116 (053)
SD060050-4A	6 x 5	1,913.00	127 (058)
▶ SD080050-5A	8 x 5	2,254.00	194 (088)
SD060060-4A	6 x 6	2,009.00	198 (088)
SD080060-4A	8 x 6	2,247.00	215 (098)
SD100060-4A	10 x 6	4,520.00	238 (108)
SD080080-4A	8 x 8	3,880.00	319 (145)
SD100080-4A	10 x 8	4,660.00	351 (159)
SD120080-4A	12 x 8	6,890.00	388 (176)
SD100100-4A	10 x 10	6,530.00	482 (219)
SD120100-4A	12 x 10	7,620.00	518 (235)
SD140100-4A	14 x 10	9,040.00	557 (253)
SD120120-4A	12 x 12	8,590.00	703 (319)
SD140120-4A	14 x 12	11,120.00	786 (357)
SD160120-4A	16 x 12	11,310.00	802 (364)
SD140140-4A	14 x 14	12,380.00	1049 (476)
SD160140-4A	16 x 14	12,910.00	1106 (502)

#### Magnetic Plug

Model P/N	Size	Price (\$)
SD020015-4 thru SD030025-4	2 x 1½ thru 3 x 2½	57.35
SD030030-4 and Up	3 x 3 and Up	64.30

▶ New item Added

**All pricing subject to change without notice.**

# Suction Diffusers — Rear Strainer Pullout (RSP)

303-161  
Page 2 of 2

## 125 PSI GROOVED BY FLANGED UNITS

Model	Connection Size	List Price (\$)	Wgt. lbs/(kgs)
SDG020015-4	2 x 1½	462.50	17 (008)
SDG020020-4	2 x 2	480.50	19 (009)
SDG025020-4	2½ x 2	501.00	19 (009)
SDG030020-4	3 x 2	578.00	20 (009)
SDG025025-4	2½ x 2½	830.00	29 (013)
SDG030025-4	3 x 2½	846.00	29 (013)
▶ SDG040025-5	4 x 2½	897.00	43 (020)
SDG030030-4	3 x 3	859.00	41 (019)
SDG040030-4	4 x 3	978.00	43 (020)
▶ SDG050030-5	5 x 3	1,067.00	54 (025)
SDG040040-4	4 x 4	1,136.00	61 (028)
SDG050040-4	5 x 4	1,292.00	61 (028)
SDG060040-4	6 x 4	1,343.00	62 (028)
SDG050050-4	5 x 5	1,544.00	76 (035)
SDG060050-4	6 x 5	1,622.00	79 (036)
▶ SDG080050-5	8 x 5	1,896.00	126 (057)
SDG060060-4	6 x 6	1,703.00	134 (060)
SDG080060-4	8 x 6	1,905.00	143 (065)
SDG100060-4	10 x 6	3,830.00	144 (065)
SDG080080-4	8 x 8	3,320.00	244 (111)
SDG100080-4	10 x 8	3,960.00	246 (112)
SDG120080-4	12 x 8	5,830.00	250 (114)
SDG100100-4	10 x 10	5,530.00	362 (164)
SDG120100-4	12 x 10	6,470.00	365 (166)
SDG140100-4	14 x 10	7,640.00	372 (169)
SDG120120-4	12 x 12	7,270.00	534 (242)
SDG140120-4	14 x 12	9,420.00	548 (249)
SDG160120-4	16 x 12	9,580.00	564 (256)
SDG140140-4	14 x 14	10,760.00	829 (376)
SDG160140-4	16 x 14	11,230.00	837 (380)

## 250 PSI GROOVED BY FLANGED UNITS

Model	Connection Size	List Price (\$)	Wgt. lbs/(kgs)
SDG020015-4A	2 x 1½	546.00	19 (009)
SDG020020-4A	2 x 2	566.00	21 (010)
SDG025020-4A	2½ x 2	591.00	25 (011)
SDG030020-4A	3 x 2	682.00	28 (013)
SDG025025-4A	2½ x 2½	978.00	35 (016)
SDG030025-4A	3 x 2½	999.00	37 (016)
▶ SDG040025-5A	4 x 2½	1,089.00	54 (025)
SDG030030-4A	3 x 3	1,010.00	49 (022)
SDG040030-4A	4 x 3	1,156.00	52 (024)
▶ SDG050030-5A	5 x 3	1,271.00	69 (031)
SDG040040-4A	4 x 4	1,341.00	70 (032)
SDG050040-4A	5 x 4	1,526.00	74 (034)
SDG060040-4A	6 x 4	1,585.00	80 (036)
SDG050050-4A	5 x 5	1,821.00	89 (040)
SDG060050-4A	6 x 5	1,913.00	97 (044)
▶ SDG080050-5A	8 x 5	2,254.00	162 (074)
SDG060060-4A	6 x 6	2,009.00	152 (069)
SDG080060-4A	8 x 6	2,247.00	169 (077)
SDG100060-4A	10 x 6	4,520.00	185 (084)
SDG080080-4A	8 x 8	3,880.00	270 (123)
SDG100080-4A	10 x 8	4,660.00	287 (130)
SDG120080-4A	12 x 8	6,890.00	307 (139)
SDG100100-4A	10 x 10	6,530.00	403 (183)
SDG120100-4A	12 x 10	7,620.00	422 (192)
SDG140100-4A	14 x 10	9,040.00	447 (203)
SDG120120-4A	12 x 12	8,590.00	591 (268)
SDG140120-4A	14 x 12	11,120.00	623 (283)
SDG160120-4A	16 x 12	11,310.00	658 (299)
SDG140140-4A	14 x 14	12,380.00	904 (410)
SDG160140-4A	16 x 14	12,910.00	912 (414)

▶ New item Added

**All pricing subject to change without notice.**

**Do it Once. Do it Right.®**

TACO INC., 1160 Cranston Street, Cranston, RI 02920 Telephone: (401) 942-8000 Fax: (401) 942-2360  
 TACO (Canada), Ltd., 8450 Lawson Road, Milton, Ontario L9T 0J8 Telephone: (905) 564-9422 Fax: (905) 564-9436  
 Visit our website at: [www.taco-hvac.com](http://www.taco-hvac.com)

Printed in USA

Copyright 2006

TACO, Inc.



# Suggested List Prices Replacement Parts Suction Diffuser

303-162

**Supersedes:** January 31, 2011

**Updated:** January 16, 2014

**Effective:** February 04, 2013

**Rear Strainer Pullout (RSP) -4 Models**

▶ **Please refer to Parts Sheet 304-414**

Model P/N	Size	Straightening Vanes Item Number 4		Strainer & O Ring Kit Item Number 3 & 5		"0" Ring Only ▶ Item Number 5		Cover Kit Item Number 6	
		RP Number	Price (\$)	RP Number	Price (\$)	RP Number	Price (\$)	RP Number	Price (\$)
SD020015-4	2 x 1½	386-2252RP	115.50	386-2407RP	66.55	759-489RP	8.05	386-2110RP	104.00
SD020020-4	2 x 2	386-2255RP	115.50						
SD025020-4	2½ x 2								
SD030020-4	3 x 2	386-2258RP	152.00	386-2409RP	86.80	759-088RP	9.40	386-2114RP	129.00
SD025025-4	2½ x 2½								
SD030025-4	3 x 2½	386-2261RP	176.00	386-2411RP	92.55	759-090RP	10.70	386-2117RP	158.00
SD030030-4	3 x 3								
SD040030-4	4 x 3	386-2267RP	239.00	386-2414RP	104.00	759-094RP	12.05	386-2119RP	206.00
SD040040-4	4 x 4								
SD050040-4	5 x 4								
SD060040-4	6 x 4	386-2273RP	300.50	386-2416RP	134.50	759-475RP	12.05	386-2121RP	243.50
SD050050-4	5 x 5								
SD060050-4	6 x 5	386-2279RP	442.00	386-2418RP	226.50	759-498RP	13.40	386-2124RP	478.00
SD060060-4	6 x 6								
SD080060-4	8 x 6								
SD100060-4	10 x 6	386-2285RP	583.00	386-2422RP	235.00	759-503RP	16.00	386-2126RP	759.00
SD080080-4	8 x 8								
SD100080-4	10 x 8	386-2291RP	832.00	386-2425RP	409.50	759-504RP	21.40	386-2129RP	1,007.00
SD120080-4	12 x 8								
SD100100-4	10 x 10								
SD120100-4	12 x 10	386-2297RP	991.00	386-2428RP	538.00	759-600RP	40.10	386-2132RP	1,266.00
SD140100-4	14 x 10								
SD120120-4	12 x 12								
SD140120-4	14 x 12	386-2303RP	1,075.00	386-2433RP	570.00	759-505RP	50.75	386-2442RP	1,375.00
SD160120-4	16 x 12								
SD140140-4	14 X 14	386-2303RP	1,075.00	386-2433RP	570.00	759-505RP	50.75	386-2442RP	1,375.00
SD160140-4	16 X 14								

**Magnetic Plug Kit**

▶ **Text or Pricing has been added or changed**

Model P/N	Size	RP Number	Price (\$)
SD020015-4 thru SD030025-4	2 x 1½ thru 3 x 2½	386-2402RP	60.75
SD030030-4 and Up	3 x 3 and Up	386-2401RP	68.05

**Support Foot**

Model P/N	Size	RP Number	Price (\$)
All Models	All Sizes	350-016RP	56.45

**Pressure Tap Kit**

RP Number	Price (\$)
759-252RP	38.05

NOTE: Kit Parts apply to 125# and 250# Flanged and Grooved Suction Diffuser.  
Start-up strainer: Copper or bronze mesh 12 x 12 through 18 x 18. Wire Diameter 010 (.25).

**All pricing subject to change without notice.**

**Do it Once. Do it Right.®**

TACO INC., 1160 Cranston Street, Cranston, RI 02920 Telephone: (401) 942-8000 Fax: (401) 942-2360  
TACO (Canada), Ltd., 8450 Lawson Road, Milton, Ontario L9T 0J8 Telephone: (905) 564-9422 Fax: (905) 564-9436  
Visit our website at: [www.taco-hvac.com](http://www.taco-hvac.com)

Printed in USA

Copyright 2006

TACO, Inc.

# Suction Diffuser

303-162  
Page 2 of 2



## -5 Models

► Please refer to Parts Sheet 304-414.1

Model P/N	Size	Strainer & O Ring Kit Item Number 1 & 2		"O" Ring Only Item Number 2		Cover Kit Item Number 3	
		RP Number	Price (\$)	RP Number	Price (\$)	RP Number	Price (\$)
SD020015-5	2 x 1½	386-2407-5RP	72.60	759-489RP	8.05	386-2110RP	104.00
SD020020-5	2 x 2						
SD025020-5	2½ x 2						
SD030020-5	3 x 2	386-2409--5RP	86.80	759-088RP	9.40	386-2114RP	129.00
SD025025-5	2½ x 2½						
SD030025-5	3 x 2½						
SD040025-5	4 x 2½	386-2411-5RP	97.14	759-090RP	10.70	386-2117RP	158.00
SD030030-5	3 x 3						
SD040030-5	4 x 3						
SD050070-5	5 x 3	386-2414-5RP	134.00	759-094RP	12.05	386-2119RP	206.00
SD040040-5	4 x 4						
SD050040-5	5 x 4						
SD060040-5	6 x 4	386-2416-5RP	134.50	759-475RP	12.05	386-2121RP	243.50
SD050050-5	5 x 5						
SD060050-5	6 x 5						
SD080050-5	8 X 5	386-2418-5RP	226.50	759-498RP	13.40	386-2124RP	478.00
SD060060-5	6 x 6						
SD080060-5	8 x 6						
SD100060-5	10 x 6	386-2422-5RP	349.00	759-503RP	16.00	386-2126RP	759.00
SD080080-5	8 x 8						
SD100080-5	10 x 8						
SD120080-5	12 x 8	386-2425-5RP	526.00	759-504RP	21.40	386-2129RP	1,007.00
SD100100-5	10 x 10						
SD120100-5	12 x 10						
SD140100-5	14 x 10	386-2428-5RP	709.00	759-600RP	40.10	386-2132RP	1,266.00
SD120120-5	12 x 12						
SD140120-5	14 x 12						
SD160120-5	16 x 12	386-2433-5RP	778.00	759-505RP	50.75	386-2442RP	1,375.00
SD140140-5	14 x 14						
SD160140-5	16 X 14						

► Text or Pricing has been added or changed

Magnetic Plug Kit			
Model P/N	Size	RP Number	Price (\$)
SD020015-5 thru SD030025-5	2 x 1½ thru 3 x 2½	386-2402RP	60.75
SD030030-5 and Up	3 x 3 and Up	386-2401RP	68.05

Support Foot			
Model P/N	Size	RP Number	Price (\$)
All Models	All Sizes	350-016RP	56.45

Pressure Tap Kit	
RP Number	Price (\$)
759-252RP	38.05

NOTE: Kit Parts apply to 125# and 250# Flanged and Grooved Suction Diffuser.  
Start-up strainer: Copper or bronze mesh 12 x 12 through 18 x 18. Wire Diameter 010 (.25).

**All pricing subject to change without notice.**

**Do it Once. Do it Right.®**

TACO INC., 1160 Cranston Street, Cranston, RI 02920 Telephone: (401) 942-8000 Fax: (401) 942-2360  
TACO (Canada), Ltd., 8450 Lawson Road, Milton, Ontario L9T 0J8 Telephone: (905) 564-9422 Fax: (905) 564-9436  
Visit our website at: [www.taco-hvac.com](http://www.taco-hvac.com)

Printed in USA

Copyright 2006

TACO, Inc.



## Suggested List Prices Replacement Parts

303-163

### Plus Two Multi-Purpose Valve

**Supersedes:** January 31, 2011

**Updated:** February 4, 2013

**Effective:** February 04, 2013

		Bracket Kit		Memory Kit		Seal Kit		Packing Kit	
		Items 12, 13, 14, 17		Items 15, 16, 17		Items 6, 7		Items 10, 11	
MPV Model	Size	RP Number	Price (\$)	RP Number	Price (\$)	RP Number	Price (\$)	RP Number	Price (\$)
MPV015-4	1.5"	759-571RP	13.05	759-561RP	10.10	759-488RP	41.90	759-423RP	56.65
MPV020-4	2"	759-571RP	13.05	759-591RP	10.10	759-488RP	41.90	759-423RP	56.65
MPV025-4	2.5"	759-571RP	13.05	759-592RP	10.10	759-515RP	45.20	759-423RP	56.65
MPV030-4	3"	759-571RP	13.05	759-593RP	10.10	759-564RP	45.20	759-423RP	56.65
MPV040-4	4"	759-571RP	13.05	759-594RP	10.10	759-454RP	47.35	759-423RP	56.65
MPV050-4	5"	759-572RP	16.90	759-595RP	16.30	759-539RP	63.40	759-468RP	150.50
MPV060-4	6"	759-572RP	16.90	759-596RP	16.30	759-473RP	64.70	759-468RP	150.50
MPV080-4	8"	759-573RP	20.15	759-597RP	20.15	759-540RP	170.50	759-495RP	263.50
MPV0100-4	10"	759-573RP	20.15	759-598RP	20.15	759-541RP	193.00	759-495RP	263.50
MPV0120-4	12"	759-573RP	20.15	759-599RP	64.15	759-542RP	266.50	759-495RP	263.50

		Spring Kit		Spindle Kit		Seat Disc Kit		Pressure Tap Kit	
		Item 4		Item 3		Item 5			
MPV Model	Size	RP Number	Price (\$)	RP Number	Price (\$)	RP Number	Price (\$)	RP Number	Price (\$)
▶ MPV015-4	1.5"	759-490RP	17.35	759-485RP	138.50	759-484RP	72.35	759-252RP	38.05
▶ MPV020-4	2"	759-490RP	17.35	759-485RP	138.50	759-484RP	72.35	759-252RP	38.05
▶ MPV025-4	2.5"	759-490RP	17.35	759-513RP	140.00	759-512RP	75.25	759-252RP	38.05
▶ MPV030-4	3"	759-425RP	23.80	759-419RP	158.00	759-447RP	80.45	759-252RP	38.05
▶ MPV040-4	4"	759-453RP	24.45	759-450RP	183.00	759-451RP	144.50	759-252RP	38.05
▶ MPV050-4	5"	759-491RP	38.05	759-527RP	279.00	759-522RP	256.00	759-252RP	38.05
▶ MPV060-4	6"	759-472RP	38.65	759-466RP	303.50	759-465RP	346.00	759-252RP	38.05
▶ MPV080-4	8"	759-492RP	67.35	759-528RP	432.50	759-523RP	755.00	759-252RP	38.05
▶ MPV0100-4	10"	759-493RP	150.50	759-529RP	502.00	759-524RP	1,251.00	759-252RP	38.05
▶ MPV0120-4	12"	759-494RP	244.50	759-530RP	535.00	759-525RP	1,618.00	759-252RP	38.05

NOTE: Kit Parts apply to 125# and 250# Flanged and Grooved MPV

▶ Indicates price correction for Pressure Tap Kit

**All pricing subject to change without notice.**

**Do it Once. Do it Right.®**

TACO INC., 1160 Cranston Street, Cranston, RI 02920 Telephone: (401) 942-8000 Fax: (401) 942-2360  
 TACO (Canada), Ltd., 8450 Lawson Road, Milton, Ontario L9T 0J8 Telephone: (905) 564-9422 Fax: (905) 564-9436  
 Visit our website at: [www.taco-hvac.com](http://www.taco-hvac.com)

Printed in USA

Copyright 2006

TACO, Inc.



# Suggested List Prices Water Circulation

303-166  
Page 1 of 3

## "LoadMatch® Circulators and Twin-Tee®"

Supersedes: February 04, 2013

Effective: February 02, 2015

### LOADMATCH® CIRCULATORS - CAST IRON

115/60/1		208/230/60/1		277/60/1		CONNECTION	HP	SHIP WT.
PRODUCT	PRICE (\$)	PRODUCT	PRICE (\$)	PRODUCT	PRICE (\$)			
L0410-Y6CI1-FHAN	218.50	L0410-B6CI2-FHAN	236.50	L0410-R6CI1-FHAN	323.00	Flanged	1/40	7
L0609-Y6CI1-FHA1	226.50	L0609-B6CI2-FHAN	244.00	L0609-R6CI1-FHAN	331.00	Flanged	1/35	8
L0710-Y6CI1-FHA1	258.50	L0710-B6CI1-FHA1	277.00	L0710-R6CI1-FHAN	363.00	Flanged	1/25	9
L0515-Y6CI1-FHAN	270.50	L0515-B6CI1-FHAN	289.00	L0515-R6CI1-FHAN	374.50	Flanged	1/25	9
L0435-Y6CI1-FHAN	393.00	L0435-B6CI1-FHAN	411.50	L0435-R6CI 2-FHAN	497.50	Flanged	1/8	9.5
L1111-Y6CI1-FVAN	427.50	L1111-B6CI1-FVAN	445.00	L1111-R6CI2-FVAN	531.00	Flanged	1/8	10
L1130-Y6CI1-FHA1	427.00	L1130-B6CI1-FHA1	444.50	L1130-R6CI2-FHAN	531.00	Flanged	1/8	12
L1614-Y6CI1-FHAN	585.00	L1614-B6CI1-FHAN	602.00	L1614-R6CI2-FHAN	689.00	Flanged	1/8	14
L1034-Y6CI1-FHA1	483.50	L1034-B6CI2-FHAN	501.00	L1034-R6CI2-FHAN	588.00	Flanged	1/6	14
L1121-Y6CI1-FHA1	459.50	L1121-B6CI1-FHA1	477.50	L1121-R6CI2-FHAN	563.00	Flanged	1/8	14

### LOADMATCH® CIRCULATORS - BRONZE

115/60/1		280/230/60/1		277/60/1		CONNECTION	HP	SHIP WT.
PRODUCT	PRICE (\$)	PRODUCT	PRICE (\$)	PRODUCT	PRICE (\$)			
L0410-Y6BI1-C5AN	354.50	L0410-B6BI2-C5AN	372.50	L0410-R6BI1-C5AN	459.00	½" Sweat	1/40	6
L0410-Y6BI1-C7AN	354.50	L0410-B6BI2-C7AN	372.50	L0410-R6BI1-C7AN	459.00	¾" Sweat	1/40	6
L0515-Y6BI1-C7AN	511.00	L0515-B6BI1-C7AN	529.00	L0515-R6BI1-C7AN	616.00	¾" Sweat	1/25	9

\*All 115V circulators available with line cord, \$30.05 list price adder L bracket (L0205-L0515) \$7.65 list price adder. L bracket (L0435-L1121) \$23.05 list price adder. \*\* L1614 includes 1½" Flange Set. All others shipped less flanges.

### LOADMATCH® "TWIN-TEE"

PRODUCT NUMBER	LINE SIZE	MATERIAL OF CONSTRUCTION	LINE CONNECTIONS	BRANCH SIZE NPT	LIST PRICE (\$)
TT150G	1½	Ductile Iron	Grooved	¾	28.50
TT200G	2	Ductile Iron	Grooved	¾	28.50
TT250G	2½	Ductile Iron	Grooved	1	37.40
TT300G	3	Ductile Iron	Grooved	1¼	55.25
TT400G	4	Ductile Iron	Grooved	1½	123.00
TT500G	5	Ductile Iron	Grooved	2	157.00
TT600G	6	Ductile Iron	Grooved	2½	207.00
TT125T	1¼	Ductile Iron	NPT	¾	30.15
TT150T	1½	Ductile Iron	NPT	¾	28.50
TT200T	2	Ductile Iron	NPT	¾	37.40
TT250T	2½	Ductile Iron	NPT	1	55.25
TT300T	3	Ductile Iron	NPT	1¼	123.00
TT400T	4	Ductile Iron	NPT	1½	157.00
TT125TB	1¼	Bronze	NPT	½	73.70
TT125SB-1	1¼	Bronze	Sweat	¾	77.80
TT150TB	1½	Bronze	NPT	½	96.85
TT150TB-1	1½	Bronze	NPT	¾	96.85
TT150SB-1	1½	Bronze	Sweat	¾	96.85
TT200TB	2	Bronze	NPT	¾	112.50
TT200SB	2	Bronze	Sweat	¾	112.50
TT250TB	2½	Bronze	NPT	1	193.50
TT250SB	2½	Bronze	Sweat	1	193.50



## LOADMATCH® VARIABLE SPEED VARIABLE VOLTAGE CIRCULATORS - CAST IRON

PRODUCT NUMBER	CONNECTION SIZES	MOTOR			SHIP WT.	LIST PRICE (\$)
		V/Ø	RPM	HP		
L0410-Y6CV1-FHAN	¾", 1", 1¼" & 1½" Flanged	115/1	3250	1/40	7	478.50
L0609-Y6CV1-FHA1	¾", 1", 1¼" & 1½" Flanged	115/1	3250	1/35	8	487.50
L0710-Y6CV1-FHA1	¾", 1", 1¼" & 1½" Flanged	115/1	3250	1/25	9	522.00
L0515-Y6CV1-FHAN	¾", 1", 1¼" & 1½" Flanged	115/1	3250	1/25	9	533.00
L0435-Y6CV1-FHAN	¾", 1", 1¼" & 1½" Flanged	115/1	3250	1/8	9.5	659.00
L1111-Y6CV1-FVAN	¾", 1", 1¼" & 1½" Flanged	115/1	3250	1/8	10	693.00
L1130-Y6CV1-FHA1	¾", 1", 1¼" & 1½" Flanged	115/1	3250	1/8	12	693.00
L1614-Y6CV1-FHAN	1¼" & 1½" Flanged**	115/1	3250	1/8	14	857.00
L1034-Y6CV1-FHA1	¾", 1", 1¼" & 1½" Flanged	115/1	3250	1/6	14	751.00
L1121-Y6CV1-FHA1	¾", 1", 1¼" & 1½" Flanged	115/1	3250	1/8	14	726.00

All 115V circulators available with line cord. \$30.05 list price adder. \*\*L1614 Model includes 1½" Flange Set. All others shipped less flanges.

## LOADMATCH® VARIABLE SPEED VARIABLE VOLTAGE CIRCULATORS - BRONZE

PRODUCT NUMBER	CONNECTION SIZES	MOTOR			SHIP WT.	LIST PRICE (\$)
		V/Ø	RPM	HP		
L0410-Y6BV1-C5AN	½" Sweat	115/1	3250	1/40	6	634.00
L0410-Y6BV1-C7AN	¾" Sweat	115/1	3250	1/40	6	634.00
L0515-Y6BV1-C7AN	¾" Sweat	115/1	3250	1/25	9	794.00

All 115V circulators available with line cord. \$30.05 list price adder.

## LOADMATCH® VARIABLE SPEED SETPOINT CIRCULATORS - CAST IRON

PRODUCT NUMBER	CONNECTION SIZES	MOTOR			SHIP WT.	LIST PRICE (\$)
		V/Ø	RPM	HP		
L0410-Y6CF1-FHAN	¾", 1", 1¼" & 1½" Flanged	115/1	3250	1/40	7	709.00
L0609-Y6CF1-FHA1	¾", 1", 1¼" & 1½" Flanged	115/1	3250	1/35	8	720.00
L0710-Y6CF1-FHA1	¾", 1", 1¼" & 1½" Flanged	115/1	3250	1/25	9	751.00
L0515-Y6CF1-FHAN	¾", 1", 1¼" & 1½" Flanged	115/1	3250	1/25	9	765.00
L0435-Y6CF1-FHAN	¾", 1", 1¼" & 1½" Flanged	115/1	3250	1/8	9.5	889.00
L1111-Y6CF1-FVAN	¾", 1", 1¼" & 1½" Flanged	115/1	3250	1/8	10	925.00
L1130-Y6CF1-FHA1	¾", 1", 1¼" & 1½" Flanged	115/1	3250	1/8	12	925.00
L1614-Y6CF1-FHAN	1¼" & 1½" Flanged**	115/1	3250	1/8	14	1,088.00
L1034-Y6CF1-FHA1	¾", 1", 1¼" & 1½" Flanged	115/1	3250	1/6	14	983.00
L1121-Y6CF1-FHA1	¾", 1", 1¼" & 1½" Flanged	115/1	3250	1/8	14	958.00

All 115V circulators available with line cord. \$30.05 list price adder. \*\*L1614 Model includes 1½" Flange Set. All others shipped less flanges.

## LOADMATCH® VARIABLE SPEED SETPOINT CIRCULATORS - BRONZE

PRODUCT NUMBER	CONNECTION SIZES	MOTOR			SHIP WT.	LIST PRICE (\$)
		V/Ø	RPM	HP		
L0410-Y6BF1-C5AN	½" Sweat	115/1	3250	1/40	6	883.00
L0410-Y6BF1-C7AN	¾" Sweat	115/1	3250	1/40	6	883.00
L0515-Y6BF1-C7AN	¾" Sweat	115/1	3250	1/25	9	1,044.00

All 115V circulators available with line cord. \$30.05 list price adder.



Prices subject to change without notice.

**Taco Inc.**, 1160 Cranston Street, Cranston, RI 02920 Telephone: (401) 942-8000 Fax: (401) 942-2360  
**Taco (Canada), Ltd.**, 8450 Lawson Road, Milton, Ontario L9T 0J8 Telephone: (905) 564-9422 Fax: (905) 564-9436  
 Visit our website at: [www.taco-hvac.com](http://www.taco-hvac.com). Printed in USA. Copyright 2007, TACO, Inc.

**FREEDOM FLANGE™ SETS (All LoadMatch Circulator Models except L1614)**

FLANGE SIZE		½"	¾"	1"	1¼"	1½"
IRON THREADED FREEDOM FLANGE SET	Part No.	N/A	110-251F	110-252F	110-253F	110-254F
	List Price (\$)		15.60	15.60	15.60	15.60
	Shipping Weight		2	2	2	2
	Master Pack Qty.		12	12	12	12
STAINLESS STEEL THREADED FREEDOM FLANGE SET	Part No.	N/A	110-251SF	110-252SF	110-253SF	110-254SF
	List Price (\$)		46.75	46.75	46.75	46.75
	Shipping Weight		2½	2½	2½	2½
	Master Pack Qty.		12	12	12	12
BRONZE SWEAT FREEDOM FLANGE SET	Part No.	110-522BSF	110-523BSF	110-524BSF	110-525BSF	110-526BSF
	List Price (each)	46.75	46.75	46.75	46.75	46.75
	Shipping Weight	2½	2½	2½	2½	2½
	Master Pack Qty.	12	12	12	12	12

**THREADED FREEDOM FLANGE™ SETS (For L1614 Model)**

MATERIAL	FLANGE SIZE	PART NO.	LIST PRICE (\$)	SHIPPING WT. (each)	MASTER PACK QTY.
Iron	1¼"	194-1540F	29.00	5	6
	1½"	194-1542F	35.15	5	6
Stainless Steel	1¼"	194-1540SF	80.05	5½	6
	1½"	194-1542SF	80.05	5½	6

Note: A 1½" Flange Set is included in each L1614 box.

**BRASS SHUT-OFF FREEDOM FLANGE™ SETS WITH SWIVEL-LEVER AND T-HANDLES (For All Models except L1614)**

SIZE	PART NO.	LIST PRICE (\$)	SHIPPING WT. (each)	MASTER PACK QTY.
½" NPT	SF-50T	45.40	2.5	12
¾" NPT	SF-75T	54.70	3.0	12
1" NPT	SF-100T	63.85	3.5	12
1¼" NPT	SF-125T	74.30	4.0	12
1½" NPT	SF-150T	105.00	5.2	6
½" Sweat	SF-50S	45.40	2.5	12
¾" Sweat	SF-75S	54.70	3.0	12
1" Sweat	SF-100S	63.85	3.5	12
1¼" Sweat	SF-125S	74.30	4.0	12
1½" Sweat	SF-150S	105.00	6.0	6

(For L1614 Model)

SIZE	PART NO.	LIST PRICE (\$)	SHIPPING WT. (each)	MASTER PACK QTY.
1¼" NPT	SF-125T-0012	121.00	4.7	12
1½" NPT	SF-150T-0012	131.50	6.9	6
1¼" Sweat	SF-125S-0012	121.00	4.7	12
1½" Sweat	SF-150S-0012	131.50	6.9	6



Prices subject to change without notice.

**Taco Inc.**, 1160 Cranston Street, Cranston, RI 02920 Telephone: (401) 942-8000 Fax: (401) 942-2360  
**Taco (Canada), Ltd.**, 8450 Lawson Road, Milton, Ontario L9T 0J8 Telephone: (905) 564-9422 Fax: (905) 564-9436  
 Visit our website at: [www.taco-hvac.com](http://www.taco-hvac.com). Printed in USA. Copyright 2007, TACO, Inc.



# Suggested List Prices Taco Thermostats

303-167

**Supersedes:** February 28, 2011

**Effective:** February 02, 2015

## THERMOSTATS FOR FAN COIL APPLICATIONS

MODEL NUMBER	PROTOCOL	OUTPUT #1	OUTPUT #2	TARGET MARKET	PRICE (\$)
VT7350C5021	Stand-Alone	On-Off/3P-Floating	On-Off/3P-Floating	Fan Coil Commercial	410.00
VT7355C5021				Fan Coil Hotel/Lodging	410.00
VT7350F5021		0-10Vdc	0-10Vdc	Fan Coil Commercial	426.00
VT7355F5021				Fan Coil Hotel/Lodging	426.00
VT7350C5021B	BACNET	On-Off/3P-Floating	On-Off/3P-Floating	Fan Coil Commercial	699.00
VT7355C5021B				Fan Coil Hotel/Lodging	699.00
VT7350F5021B		0-10Vdc	0-10Vdc	Fan Coil Commercial	728.00
VT7355F5021B				Fan Coil Hotel/Lodging	728.00
VT7350C5021E	ECHELON	On-Off/3P-Floating	On-Off/3P-Floating	Fan Coil Commercial	810.00
VT7355C5021E				Fan Coil Hotel/Lodging	810.00
VT7350F5021E		0-10Vdc	0-10Vdc	Fan Coil Commercial	848.00
VT7355F5021E				Fan Coil Hotel/Lodging	848.00

All Thermostats for Fan Coil Applications include the following features:

- \* Reheat Output
- \* 3-2-1 Speed Fan Control
- \* % RH Control

## THERMOSTATS FOR HEAT PUMP APPLICATIONS

MODEL NUMBER	PROTOCOL	STAGES	SCHEDULING	DESCRIPTION	PRICE (\$)
VT7600H5021	Stand-alone	3H/2C	No	Non-programmable heatpump thermostat	264.00
VT7652H5021	Stand-alone	3H/2C	YES	7 days programmable heatpump thermostat	437.00
VT7652H5021B	BACNET			7 days programmable BACnet heatpump thermostat	603.00
VT7652H5021E	ECHELON			7 days programmable LON heatpump thermostat	660.00

## ACCESSORIES

MODEL NUMBER	DESCRIPTION	PRICE (\$)
S1010E5021	Strap on changeover sensor 10K type 2	44.35
S3010W5021	Average remote room sensor with 3 thermistors and 2 dip switches	70.45
S3020W5021	Average remote room sensor with 3 thermistors, 2 dip switches, override key and occupancy LED	80.25
COV-PIR-FCU-C-5021	Passive infrared cover retrofit for 5021 with connector Commercial Interface	175.50
COV-PIR-FCU-L-5021	Passive infrared cover retrofit for 5021 with connector Lodging Interface	175.50

**Do it Once. Do it Right.™**

TACO INC., 1160 Cranston Street, Cranston, RI 02920 Telephone: (401) 942-8000 Fax: (401) 942-2360  
 TACO (Canada), Ltd., 8450 Lawson Road, Milton, Ontario L9T 0J8 Telephone: (905) 564-9422 Fax: (905) 564-9436  
 Visit our website at: [www.taco-hvac.com](http://www.taco-hvac.com)

Printed in USA

Copyright 2007

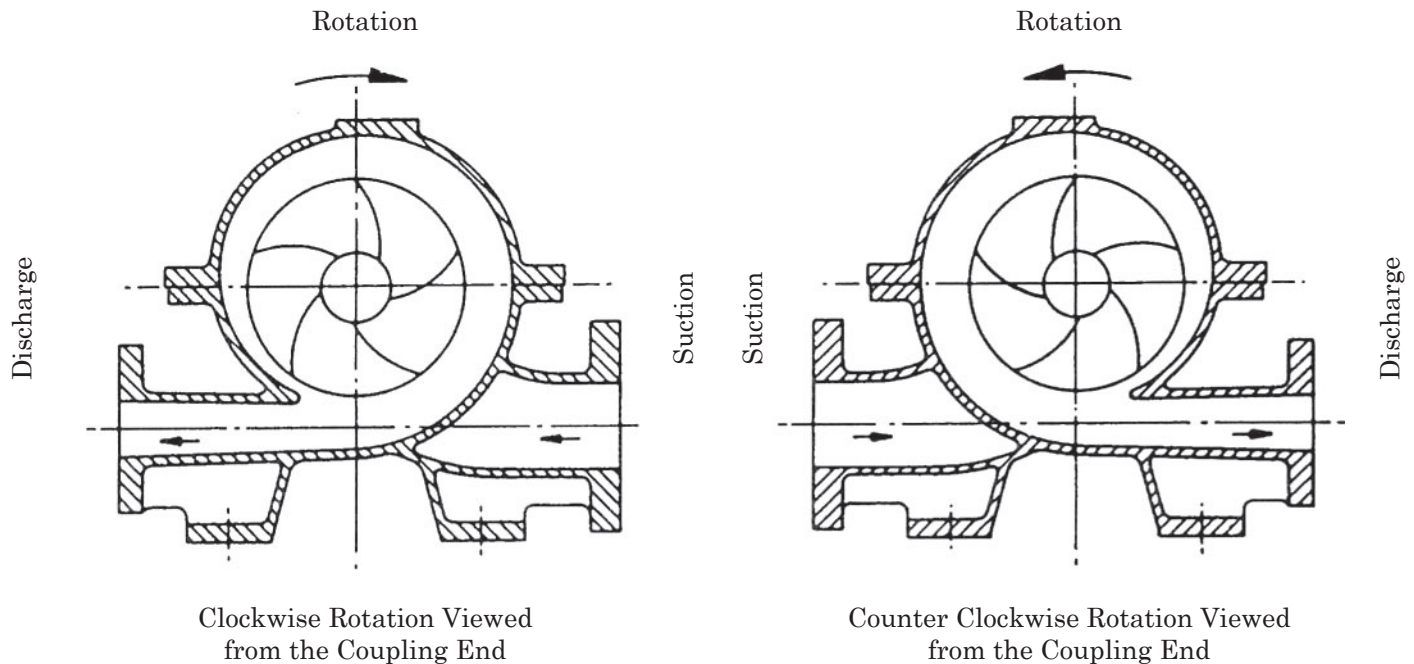
TACO, Inc.



# "GT" Series Pumps

**Supersedes:** September 12, 2011

**Effective:** February 04, 2013



## Single Stage Double Suction Horizontal Split Case Centrifugal Pumps

Prices indicated are for pump end only or pump, base, coupling and guard.

All pumps include seal flushing recirculation lines, bronze shaft sleeves, mechanical seals, and bronze case wear rings.

Construction: Standard as Bronze Fitted\*

Casing - Cast Iron

Impeller - Bronze

Wear Ring - Bronze

Shaft - Carbon Steel

Insert - Cast Iron

Shaft Sleeve - Bronze

Prices for standard motors are available in the motor price sheets.

All prices subject to change without notice.

# "GT" Series Pumps

**Effective Date:** February 04, 2013

303-170

PAGE 2 OF 4

Pump Model No.	Conn.	Pump Only			Fabricated Base, Pump, Coupling & Guard			
		Approx. Shipping Wt./Lbs.	Impeller	List Price	Motor Frame	Approx. Shipping Wt./Lbs.	Impeller	List Price
GT30037	12x10	2090	Bronze	41,660.00	364	3303	Bronze	52,170.00
					365			
					404			
					405			
			S.S.	35,270.00	444	3640	Bronze	55,070.00
					445			
					447			
					449			
E447	48,660.00							
E449								
G5008								
GT30066	12x10	2508	Bronze	54,180.00	404	3831	Bronze	65,620.00
					405			
					444			
					445			
					447			
			S.S.	44,680.00	4508	Bronze	71,480.00	
								449
								E447
								E449
								E5008
G5008	61,950.00							
E5010								
G5010								
E5012								
GT35024	14x12	2094	Bronze	41,000.00	326	3307	Bronze	51,510.00
					364			
					365			
					404			
			S.S.	35,120.00	3644	Bronze	54,390.00	
								444
								445
								447
449	48,540.00							
E447								
E449								
G5008								
GT40032	16x14	2948	Bronze	52,540.00	364	4271	Bronze	63,990.00
					365			
					404			
					405			
					444			
			445					
			447					
			449					
			E447					
			S.S.	46,480.00	4948	S.S.	63,760.00	
E449								
E5006								
E5008								
G5008								
G5010								

# "GT" Series Pumps

**Effective Date:** February 04, 2013

303-170

PAGE 3 OF 4

Pump Model No.	Conn.	Pump Only			Fabricated Base, Pump, Coupling & Guard								
		Approx. Shipping Wt./Lbs.	Impeller	List Price	Motor Frame	Approx. Shipping Wt./Lbs.	Impeller	List Price					
GT40070	16x14	3896	Bronze	74,390.00	444 445 447 449 E5006 E5008 E5010 E5012 G5010 G5012	6161	Bronze	94,750.00					
				S.S.				63,850.00	S.S.	84,220.00			
			G400J G5810	6017			Bronze	93,510.00					
							S.S.	82,980.00					
			G500M	6606			Bronze	100,200.00					
							S.S.	89,660.00					
			GT45043	18x16			3762	Bronze	67,740.00	444 445 447 449 E5006 E5008 E5010 E5012 G5008 G5010 G5012	6617	Bronze	88,110.00
									S.S.				59,100.00

# "GT" Series Pumps

**Effective Date:** February 04, 2013

303-170

PAGE 4 OF 4

OPTION	GT30037	GT30066	GT35024	GT40032	GT45043	GT40070
Stainless Steel Shaft Sleeve*	722.00	869.00	722.00	869.00	924.00	924.00
Stainless Steel Shaft	1,346.00	1,614.00	1,346.00	1,614.00	2,570.00	2,570.00
Kynar Separator Unmounted	1,299.00	1,299.00	1,299.00	1,299.00	1,299.00	1,299.00
Drip Pan	Standard	Standard	Standard	Standard	Standard	Standard
Certified Performance Test (Non-Witness)	4,320.00	4,470.00	4,470.00	4,650.00	4,940.00	4,940.00
OSHA Guard	1,435.00	1,435.00	1,435.00	1,435.00	1,435.00	1,435.00
250 lb. Casing with Balanced Seal	4,070.00	6,290.00	4,070.00	6,290.00	8,440.00	8,440.00

\* SS shaft sleeve is standard with SS impeller models.  
Requires special order for bronze impeller models.

MOTOR SIZE	*LIST PRICE FOR SHOP MOUNTING MOTORS SUPPLIED BY CUSTOMER:
Up to 7 - ½ HP	523.00
10 to 40 HP	590.00
50 to 100 HP	944.00
125 to 200 HP	1,298.00
**Above 200 HP	1,481.00

- \* 1. Prices apply when customer's motor is sent to TACO for mounting, when pump baseplate and coupling are supplied by TACO.
- 2. Prices apply to standard "T" frame horizontal motors only.
- 3. Customer's motors for TACO mounting must be shipped prepaid to the factory.

\*\* Motors weighing over 5000lb cannot be shop-mounted.

### ORDERING INSTRUCTIONS FOR CUSTOMER-SUPPLIED SHOP-MOUNTED MOTORS:

- 1. Tag motors being shipped to TACO with the customer purchase order number, TACO shop order number and the MRO number issued by customer service.
- 2. Specify motor manufacturer and frame size on order write-up.

**Do it Once. Do it Right.™**

TACO INC., 1160 Cranston Street, Cranston, RI 02920 Telephone: (401) 942-8000 Fax: (401) 942-2360  
TACO (Canada), Ltd., 8450 Lawson Road, Milton, Ontario L9T 0J8 Telephone: (905) 564-9422 Fax: (905) 564-9436  
Visit our website at: [www.taco-hvac.com](http://www.taco-hvac.com)

Printed in USA  
Copyright 2006  
TACO, Inc.



# Suggested List Prices

303-171  
Page 1 of 6

## VT SERIES Vertical Turbine Pumps

Supersedes: November 19, 2012

Updated: May 21, 2014

Effective: April 01, 2013

### Bowl Assemblies

ITEM NUMBER	FIRST STAGE ASSEMBLY PRICE	ADD STAGE PRICE	WGT-STAGE 1 (lbs)	WGT ADDITIONAL STAGES (lbs)	L 1	L 2
VT06LL	1,814.00	546.00	50	17	12.688	5.125
VT06LH	1,814.00	546.00	50	17	12.688	5.125
VT06HL	1,814.00	546.00	40	12	12.875	4.75
VT06HH	1,814.00	546.00	40	12	12.875	4.75
VT07LL	2,176.00	727.00	70	25	16.344	5.5
VT07LH	2,176.00	727.00	70	25	16.344	5.5
VT07ML	2,176.00	727.00	73	28	17.219	6.375
VT07MH	2,176.00	727.00	73	28	17.219	6.375
VT07HL	2,176.00	727.00	74	29	17.938	7.094
VT07HH	2,176.00	727.00	74	29	17.938	7.094
VT08HL	2,540.00	865.00	106	39	23.5	7.875
VT08HH	2,540.00	865.00	106	39	23.5	7.875
VT09CC	2,900.00	1,094.00	150	60	23.0	7.75
VT09EC	2,900.00	1,094.00	150	60	23.0	7.75
VT09ML	2,900.00	1,094.00	*159/**143	64	*23.5/**20.125	8.5
VT09MH	2,900.00	1,094.00	*159/**143	64	*23.5/**20.125	8.5
VT09HL	2,900.00	1,094.00	*156.4/**141.8	68	*24.562/**20.5	9.313
VT09HH	2,900.00	1,094.00	*156.4/**141.8	68	*24.562/**20.5	9.313
VT09ZC	3,020.00	1,134.00	145	54	23.0	8.5
VT11LL	3,450.00	1,336.00	246	86	*25.875/**25.813	1.688
VT11LH	3,450.00	1,336.00	245	86	*25.875/**25.813	1.688
VT11ML	3,450.00	1,336.00	252	94	*27.156/**27.094	1.688
VT11MH	3,450.00	1,336.00	252	94	*27.156/**27.094	1.688
VT12CC	3,810.00	1,451.00	235	105	26.5	9.0
VT12DC	3,810.00	1,451.00	235	105	26.5	9.0
VT12IC	3,810.00	1,451.00	250	107	27.5	10.0
VT12KC	3,810.00	1,451.00	250	107	27.5	10.0
VT12MC	3,970.00	1,554.00	274	104	29.125	9.312
VT12LC	3,970.00	1,554.00	**266/^272	124	**28.813/^28.781	1.688
VT12HH	3,970.00	1,554.00	253	99	28.25	11.25
VT14ML	6,580.00	2,670.00	377	159	33.75	13.5
VT14MH	6,580.00	2,670.00	377	159	33.75	13.5
VT14HH	6,580.00	2,670.00	377	159	33.875	13.625
VT14HL	6,580.00	2,670.00	377	159	33.875	13.625
VT14LH	6,580.00	2,670.00	437	171	^32.625/^32.531	2.188
VT16MH	7,880.00	4,360.00	569	237	31.625	15.0
VT16HH	7,880.00	4,360.00	583	255	32.25	15.625
VT18HL	C/F	C/F	586	395	28.625	1.938
VT18HH	C/F	C/F	586	395	28.625	1.938

Standard Stainless Steel Impellers, Collets and Bolting

\* for 6 inch Column

\*\* for 8 inch Column

**Do it Once. Do it Right.™**

TACO INC., 1160 Cranston Street, Cranston, RI 02920 Telephone: (401) 942-8000 Fax: (401) 942-2360  
 TACO (Canada), Ltd., 8450 Lawson Road, Unit 3, Milton, Ontario L9T 0J8 Telephone: (905) 564-9422 Fax: (905) 564-9436  
 Visit our website at: [www.taco-hvac.com](http://www.taco-hvac.com)

Printed in USA  
 Copyright 2007  
 TACO, Inc.



# Vertical Turbine Pumps with VHS Motor

303-171

Discharge Heads

Effective Date: April 01, 2013

Page 2 of 6

ITEM NUMBER	PRICE(\$)	WEIGHT (lbs)
VT04DH	2,376.00	186
VT06DH	2,890.00	262
VT08DH	3,590.00	279
VT10DH	4,160.00	311
VT12DH	6,770.00	630

**PLEASE SEE PAGE 3  
REGARDING MOTOR ASSEMBLY AND  
FREIGHT CHARGES.**

All Discharge Heads Ductile Iron

Includes Packing Box with 1345 John Crane Packing

Includes 416SS Head Shaft Assembly

Threaded 5' Column Assembly

ITEM NUMBER	DESCRIPTION	SHAFT DIAMETER	SHAFT RATING GOOD TO	PRICE(\$)	WEIGHT (lbs)
VT04100CA-T05	4" X 1" Standard Wall	1"	40 HP	1,547.00	75
VT06100CA-T05	6" X 1" Standard Wall	1"	40 HP	1,964.00	120
VT06118CA-T05	6" X 1 3/16" Standard Wall	1 3/16"	75 HP	2,010.00	125
VT08118CA-T05	8" X 1 3/16" Standard Wall	1 3/16"	75 HP	2,174.00	155
VT10118CA-T05	10" X 1 3/16" Standard Wall	1 3/16"	75 HP	2,690.00	200
VT12118CA-T05	12" X 1 3/16" Standard Wall	1 3/16"	75 HP	3,250.00	270
VT08150CA-T05	8" X 1 1/2" Standard Wall	1 1/2"	150 HP	2,327.00	170
VT10150CA-T05	10" X 1 1/2" Standard Wall	1 1/2"	150 HP	2,840.00	215
VT12150CA-T05	12" X 1 1/2" Standard Wall	1 1/2"	150 HP	3,410.00	285
VT10168CA-T05	10" X 1 11/16" Standard Wall	1 11/16"	300 HP	2,990.00	225
VT12168CA-T05	12" x 1 11/16" Standard Wall	1 11/16"	300 HP	3,550.00	295

Threaded 10' Column Assembly

ITEM NUMBER	DESCRIPTION	SHAFT DIAMETER	SHAFT RATING GOOD TO	PRICE(\$)	WEIGHT (lbs)
VT04100CA-T10	4" X 1" Standard Wall	1"	40 HP	1,993.00	150
VT06100CA-T10	6" X 1" Standard Wall	1"	40 HP	2,610.00	230
VT06118CA-T10	6" X 1 3/16" Standard Wall	1 3/16"	75 HP	2,730.00	240
VT08118CA-T10	8" X 1 3/16" Standard Wall	1 3/16"	75 HP	3,010.00	310
VT10118CA-T10	10" X 1 3/16" Standard Wall	1 3/16"	75 HP	3,710.00	400
VT12118CA-T10	12" X 1 3/16" Standard Wall	1 3/16"	75 HP	4,490.00	540
VT08150CA-T10	8" X 1 1/2" Standard Wall	1 1/2"	150 HP	3,220.00	330
VT10150CA-T10	10" X 1 1/2" Standard Wall	1 1/2"	150 HP	3,920.00	420
VT12150CA-T10	12" X 1 1/2" Standard Wall	1 1/2"	150 HP	4,700.00	560
VT10168CA-T10	10" X 1 11/16" Standard Wall	1 11/16"	300 HP	4,130.00	440
VT12168CA-T10	12" x 1 11/16" Standard Wall	1 11/16"	300 HP	4,900.00	580

All Column Assemblies use 416SS Shafting

Additional assembly lengths include stainless steel bearing retainer and bearing

Mechanical Seal Adder

ITEM NUMBER	DESCRIPTION	PRICE(\$)
VT100MS	1" Balanced Seal	2,870.00
VT118MS	1 3/16" Balanced Seal	3,060.00
VT150MS	1 1/2" Balanced Seal	3,250.00
VT168MS	1 11/16" Balanced Seal	3,730.00

Bowl Wear Ring (Bronze) Adder per stage

ITEM NUMBER	PRICE(\$)	USED ON
VT06WR	466.00	VT06LL, LH, HL, HH
VT07WR	466.00	VT07LL, LH, ML, MH, HL, HH
VT08WR	652.00	VT08HL, HH
VT09WR	746.00	VT09CC, EC, ZC, ML, MH, HL, HH
VT11WR	931.00	VT11LL, LH, ML, MH
VT12WR	931.00	VT12CC, DC, IC, KC, MC, HH, LC
VT14WR	1,117.00	VT14ML, MH, HH, LH
VT16WR	1,490.00	VT16MH, HH

Steel Base Plate Adder

ITEM NUMBER	PRICE(\$)	WEIGHT (lbs)
VT04BP	1,552.00	104
VT06BP	1,939.00	104
VT08BP	1,939.00	104
VT10BP	2,327.00	104
VT12BP	2,327.00	165

**Do it Once. Do it Right.™**

TACO INC., 1160 Cranston Street, Cranston, RI 02920 Telephone: (401) 942-8000 Fax: (401) 942-2360

TACO (Canada), Ltd., 8450 Lawson Road, Unit 3, Milton, Ontario L9T 0J8 Telephone: (905) 564-9422 Fax: (905) 564-9436

Visit our website at: [www.taco-hvac.com](http://www.taco-hvac.com)

# Vertical Turbine Pumps with VHS Motor

Effective Date: April 01, 2013

303-171

PAGE 3 OF 6

## Basket Strainer (304SS)

ITEM NUMBER	PRICE(\$)	WEIGHT (lbs)	S1 Inches
VT04BS	382.00	8	6
VT06BS	415.00	9	6
VT08BS	520.00	13	7.75
VT10BS	589.00	17	9.875
VT12BS	813.00	25	11.875

## Shaft Guard Adder

ITEM NUMBER	PRICE(\$)
VT00SG	507.00

304SS Basket Type Suction Strainer; Stainless Steel Fasteners Standard

## High Efficiency GE Motors

Vertical Hollowshaft WP-1 (Weather Protected)

NEMA MG1-31 Design, IGBT Drive Compatibility

ITEM NUMBER	HORSEPOWER	VOLTAGE	RPM	% EFFICIENCY	PRICE(\$)	WEIGHT (lbs)
VTM-1A1A3	5	230/460	1800	87.5	3,121.00	220
VTM-1B1A3	7.5	230/460	1800	88.5	3,211.00	220
VTM-1C1A3	10	230/460	1800	89.5	3,616.00	220
VTM-1D1A3	15	230/460	1800	91.0	4,319.00	340
VTM-1E1A3	20	230/460	1800	91.0	5,039.00	370
VTM-1F1A3	25	230/460	1800	91.7	5,573.00	507
VTM-1G1A3	30	230/460	1800	92.4	6,239.00	507
VTM-1H1A3	40	230/460	1800	93.0	7,650.00	760
VTM-1J1A3	50	230/460	1800	93.0	9,087.00	760
VTM-1K1A3	60	230/460	1800	93.6	10,653.00	1102
VTM-1L1A3	75	230/460	1800	94.1	12,876.00	1102
VTM-1M1A3	100	230/460	1800	94.1	16,158.00	1590
VTM-1N1D3	125	460	1800	94.5	19,578.00	1590
VTM-1P1D3	150	460	1800	95.0	22,494.00	2075
VTM-1Q1D3	200	460	1800	95.0	29,810.00	2260
VTM-1R1D3	250	460	1800	95.4	35,979.00	3000
VTM-1S1D3	300	460	1800	95.4	42,426.00	3500

Motors come with standard NRR (non-reverse ratchet) and 115v Space Heaters.

Consult factory for Premium Efficient, TEFC motors as well as 1160 RPM and 3600 RPM motors.

All motors if purchased separately are FOB motor manufacturer warehouse or factory.

**NOTE: MOTORS ARE NOT ASSEMBLED TO THE PUMP DURING SHIPMENT. MOTORS AND PUMPS ARE SHIPPED FOB FACTORY ASSEMBLY POINT.**

**Do it Once. Do it Right.™**

TACO INC., 1160 Cranston Street, Cranston, RI 02920 Telephone: (401) 942-8000 Fax: (401) 942-2360

TACO (Canada), Ltd., 8450 Lawson Road, Unit 3, Milton, Ontario L9T 0J8 Telephone: (905) 564-9422 Fax: (905) 564-9436

Visit our website at: [www.taco-hvac.com](http://www.taco-hvac.com)

# Vertical Turbine Pumps with VHS Motor

Effective Date: April 01, 2013

303-171

PAGE 4 of 6

Standard Efficiency US Motors

Vertical Hollowshaft WP-1 (Weather Protected)

NEMA MG1-31 Design, IGBT Drive Compatibility

ITEM NUMBER	HORSEPOWER	VOLTAGE	RPM	% EFFICIENCY	PRICE(\$)	WEIGHT (lbs)
VTM-3D1A3	15	230/460	1800	89.5	4,250.00	265
VTM-3E1A3	20	230/460	1800	89.5	4,840.00	300
VTM-3F1A3	25	230/460	1800	88.5	5,400.00	305
VTM-3G1A3	30	230/460	1800	90.2	6,070.00	325
VTM-3H1A3	40	230/460	1800	89.5	7,050.00	635
VTM-3J1A3	50	230/460	1800	90.2	8,370.00	675
VTM-3K1A3	60	230/460	1800	90.2	9,660.00	730
VTM-3L1A3	75	230/460	1800	91.7	11,760.00	800
VTM-3M1A3	100	230/460	1800	93.0	14,860.00	1110
VTM-3N1D3	125	460	1800	93.0	17,950.00	1200
VTM-3P1D3	150	460	1800	92.4	21,600.00	1500
VTM-3Q1D3	200	460	1800	93.6	29,350.00	1600
VTM-3R1D3	250	460	1800	93.0	35,270.00	1600
VTM-3S1D3	300	460	1800	94.5	41,620.00	2200
VTM-3T1D3	350	460	1800	94.5	48,060.00	2200
VTM-3U1D3	400	460	1800	95.0	54,500.00	2200
VTM_3V1D3	500	460	1800	95.0	66,420.00	3125

Premium Efficiency US Motors

Vertical Hollowshaft WP-1 (Weather Protected)

NEMA MG1-31 Design, IGBT Drive Compatibility

ITEM NUMBER	HORSEPOWER	VOLTAGE	RPM	% EFFICIENCY	PRICE(\$)	WEIGHT (lbs)
VTM-4D1A3	15	230/460	1800	91.7	5,200.00	265
VTM-4E1A3	20	230/460	1800	92.4	5,790.00	300
VTM-4F1A3	25	230/460	1800	92.4	6,600.00	305
VTM-4G1A3	30	230/460	1800	92.4	7,270.00	325
VTM-4H1A3	40	230/460	1800	94.1	9,160.00	635
VTM-4J1A3	50	230/460	1800	94.5	10,480.00	675
VTM-4K1D3	60	460	1800	94.5	12,400.00	730
VTM-4L1D3	75	460	1800	95.0	14,500.00	800
VTM-4M1D3	100	460	1800	95.4	18,710.00	1110
VTM-4N1D3	125	460	1800	95.4	21,800.00	1200
VTM-4P1D3	150	460	1800	96.2	29,880.00	1500
VTM-4Q1D3	200	460	1800	96.2	37,130.00	1600
VTM-4R1D3	250	460	1800	95.8	46,410.00	1600
VTM-4S1D3	300	460	1800	95.8	53,840.00	2200
VTM-4T1D3	350	460	1800	95.8	59,710.00	2200
VTM-4U1D3	400	460	1800	95.8	67,750.00	2200

Motors come with standard NRR (non-reverse ratchet) and 115v Space Heaters.

Consult factory for Premium Efficient, TEFC motors as well as 1160 RPM and 3600 RPM motors. All motors if purchased separately are FOB motor manufacturer warehouse or factory.

**NOTE: MOTORS ARE NOT ASSEMBLED TO THE PUMP DURING SHIPMENT. MOTORS AND PUMPS ARE SHIPPED FOB FACTORY ASSEMBLY POINT.**

**Do it Once. Do it Right.™**

TACO INC., 1160 Cranston Street, Cranston, RI 02920 Telephone: (401) 942-8000 Fax: (401) 942-2360

TACO (Canada), Ltd., 8450 Lawson Road, Unit 3, Milton, Ontario L9T 0J8 Telephone: (905) 564-9422 Fax: (905) 564-9436

Visit our website at: [www.taco-hvac.com](http://www.taco-hvac.com)

# Vertical Turbine Pumps with VHS Motor

Effective Date: April 01, 2013

303-171

PAGE 5 of 6

Standard Efficiency US Motors

Vertical Hollowshaft TEFC

NEMA MG1-31 Design, IGBT Drive Compatibility

ITEM NUMBER	HORSEPOWER	VOLTAGE	RPM	% EFFICIENCY	PRICE(\$)	WEIGHT (lbs)
VTM-3A2A3	5	230/460	1800	82.5	3,160.00	170
VTM-3B2A3	7.5	230/460	1800	84.0	3,220.00	210
VTM-3C2A3	10	230/460	1800	85.5	3,610.00	220
VTM-3D2A3	15	230/460	1800	88.5	5,520.00	265
VTM-3E2A3	20	230/460	1800	87.5	6,290.00	300
VTM-3F2A3	25	230/460	1800	89.5	7,020.00	320
VTM-3G2A3	30	230/460	1800	89.5	7,890.00	330
VTM-3H2A3	40	230/460	1800	90.2	9,870.00	665
VTM-3J2A3	50	230/460	1800	91.0	11,710.00	690
VTM-3K2D3	60	460	1800	91.7	14,500.00	900
VTM-3L2D3	75	460	1800	92.4	17,650.00	925
VTM-3M2D3	100	460	1800	93.0	23,780.00	1500
VTM-3N2D3	125	460	1800	92.4	30,940.00	1900

Motors come with standard NRR (non-reverse ratchet) and 115v Space Heaters.

Consult factory for Premium Efficient, TEFC motors as well as 1160 RPM and 3600 RPM

motors. All motors if purchased separately are FOB motor manufacturer warehouse or factory.

**NOTE: MOTORS ARE NOT ASSEMBLED TO THE PUMP DURING SHIPMENT. MOTORS AND PUMPS ARE SHIPPED FOB FACTORY ASSEMBLY POINT.**

**Do it Once. Do it Right.™**

TACO INC., 1160 Cranston Street, Cranston, RI 02920 Telephone: (401) 942-8000 Fax: (401) 942-2360

TACO (Canada), Ltd., 8450 Lawson Road, Unit 3, Milton, Ontario L9T 0J8 Telephone: (905) 564-9422 Fax: (905) 564-9436

Visit our website at: [www.taco-hvac.com](http://www.taco-hvac.com)

# Vertical Turbine Pumps with VHS Motor

Effective Date: April 01, 2013

303-171

PAGE 6 of 6

## Sizing Matrix

This chart for quick reference only. Actual selection should be made at Taco's site on [www.taco.epump-flo.com](http://www.taco.epump-flo.com).  
(also see Taco Catalog 300-9.3A for Performance Curves)

MODEL	Suction Size	Basket Strainer (Option)	Head * Assembly	Column * Assembly	GPM RANGE
VT06LL	4"	4"	4"	4"	75-110
VT06LH					90-140
VT06HL					175-230
VT06HH					220-270
VT07LL	6"	6"	4 or 6"	4 or 6"	90-130
VT07LH					120-160
VT07ML					130-225
VT07MH					150-275
VT07HL					250-325
VT07HH					340-450
VT08HL	6"	6"	6"	6"	450-600
VT08HH					600-700
VT09CC					200-325
VT09EC					240-400
VT09ML			6" or 8"	6" or 8"	300-500
VT09MH					400-600
VT09HL					550-750
VT09HH					700-900
VT09ZC	8"	8"	8"	8"	1100-1700
VT11LL	8"	8"	6" or 8"	6" or 8"	300-450
VT11LH					350-650
VT11ML					600-900
VT11MH					700-1000
VT12CC	8"	8"	6" or 8"	6" or 8"	400-600
VT12DC					500-700
VT12IC					700-1000
VT12KC			800-1200		
VT12LC			8" or 10"	8" or 10"	700-1500
VT12MC	10"	10"	8" or 10"	8" or 10"	1300-1800
VT12HH					1750-2500
VT14LH	10"	10"	10" or 12"	10" or 12"	1000-2000
VT14ML					1750-2500
VT14MH					2000-2800
VT14HH					2500-4000
VT14HL					2500-3500
VT16MH	Bell	Fabricated	12"	12"	3000-5500
VT16HH					4000-6000
VT18HL	N/A	Fabricated	12", 14", or 16"	12", 14", or 16"	5000-7500
VT18HH					7000-9000

\* Head assembly size must match column assembly size.

**Do it Once. Do it Right.™**

TACO INC., 1160 Cranston Street, Cranston, RI 02920 Telephone: (401) 942-8000 Fax: (401) 942-2360

TACO (Canada), Ltd., 8450 Lawson Road, Unit 3, Milton, Ontario L9T 0J8 Telephone: (905) 564-9422 Fax: (905) 564-9436

Visit our website at: [www.taco-hvac.com](http://www.taco-hvac.com)



Suggested List Prices

303-173

# VT SERIES Vertical Turbine Pumps Replacement Parts

**Supersedes:** January 31, 2011

**Effective:** April 01, 2013

## Mechanical Seal

ITEM NUMBER	SIZE	PRICE (\$)
VT100MS-RP	1"	4,240.00
VT118MS-RP	1 3/16"	4,530.00
VT150MS-RP	1 1/2"	4,810.00
VT168MS-RP	1 11/16"	5,520.00

Seals are Tungsten Carbide faces, multi-spring with Viton, balanced.

## Packing

ITEM NUMBER	SIZE	PRICE (\$)
VT038PR	3/8"	160.50

▶ John Crane 1345 - Includes 5 rings.

## Packing Box Rebuild Kit

ITEM NUMBER	SIZE	PRICE (\$)
VT100PK	1"	584.00
VT118PK	1 3/16"	637.00
VT150PK	1 1/2"	694.00
VT168PK	1 11/16"	805.00

Kit includes: Packing gland, bushing, lantern ring, packing.

**Do it Once. Do it Right.™**

TACO INC., 1160 Cranston Street, Cranston, RI 02920 Telephone: (401) 942-8000 Fax: (401) 942-2360

TACO (Canada), Ltd., 8450 Lawson Road, Unit 3, Milton, Ontario L9T 0J8 Telephone: (905) 564-9422 Fax: (905) 564-9436

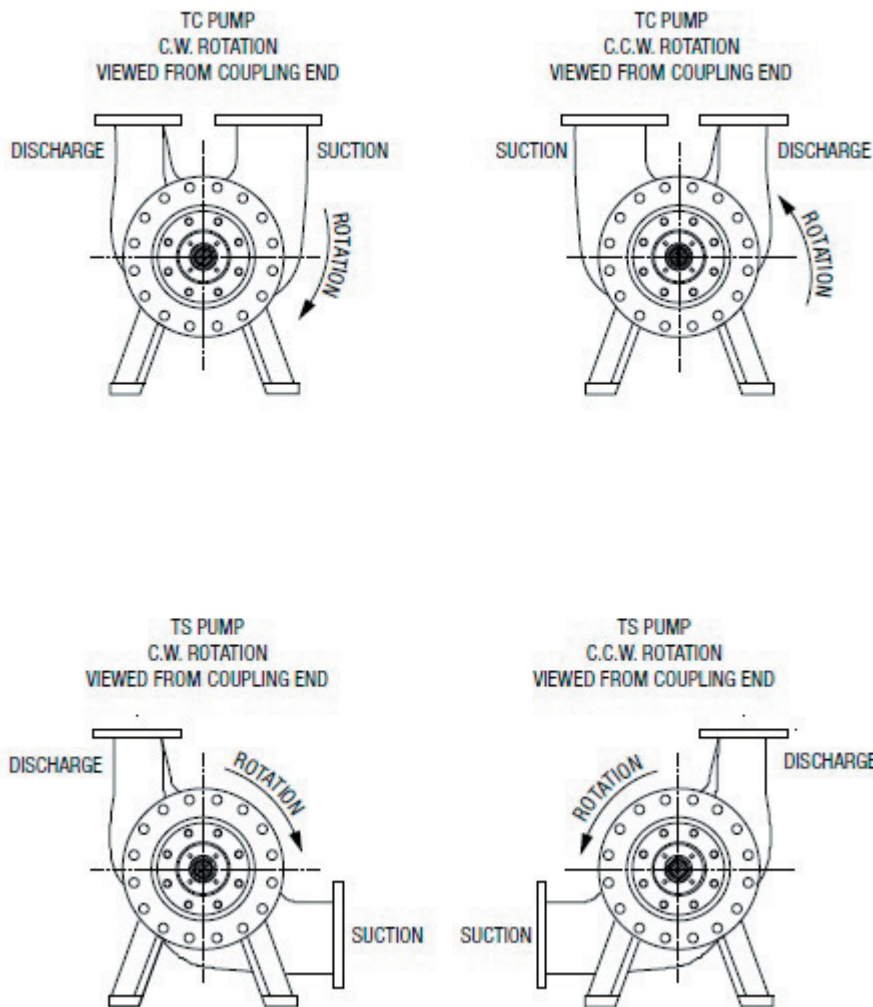
Visit our website at: [www.taco-hvac.com](http://www.taco-hvac.com)



# TC/TS Series Pumps

**Supersedes:** September 12, 2011

**Effective:** February 04, 2013



## Single Stage Double Suction Vertical Split Case Centrifugal Pumps

Prices indicated are for pump end only or pump, base, coupling and guard.

All pumps include seal flushing recirculation lines, bronze shaft sleeves, mechanical seals, and bronze case wear rings.

Construction: Standard as Bronze Fitted

Casing: Cast Iron, Impeller: Bronze, Wear Ring: Bronze, Shaft: Carbon Steel, Shaft Sleeve: Bronze

Prices for standard motors are available in the motor price sheets.

All prices subject to change without notice.

# TC/TS Series Pumps

**Effective:** February 04, 2013

303-174

PAGE 2 OF 5

Pump Model No.	Conn.	Pump Only			Option Code	Fabricated Base, Pump, Coupling & Guard			
		Approx. Shipping Wt./Lbs.	Bronze Impeller	S.S. * Impeller		Motor Frame	Approx. Shipping Wt./Lbs.	Bronze Impeller	S.S. * Impeller
050308	5 x 3	518	11,870.00	10,560.00	A	143-145T	864	13,750.00	12,440.00
						182-184T			
						213-215T			
050310	5 x 3	617	14,110.00	12,900.00	A	182-184T	968	16,000.00	14,770.00
						213-215T			
						254-256T			
050314	5 x 3	644	15,940.00	14,620.00	A	213-215T	989	17,840.00	16,520.00
						254-256T			
						284-286T	1073	18,210.00	16,890.00
						324-326T			
060410	6 x 4	810	15,620.00	13,880.00	A	213-215T	1175	17,640.00	15,900.00
						254-256T			
						284-286T			
060412	6 x 4	783	16,870.00	15,010.00	B	213-215T	1493	21,010.00	19,160.00
						254-256T			
						284-286T	1678	21,960.00	20,100.00
						324-326T			
060416	6 x 4	730	18,530.00	16,150.00	A	364-365T	1566	23,410.00	21,030.00
						254-256T			
						284-286T			
						324-326T			
						364-365T			
080510	8 x 5	981	19,060.00	16,810.00	B	404-405T	1560	23,410.00	21,030.00
						213-215T			
						254-256T			
						284-286T			
080512	8 x 5	904	20,550.00	18,170.00	B	324-326T	1876	24,170.00	21,910.00
						364-365T			
						254-256T			
						284-286T			
080515	8 x 5	959	22,550.00	19,720.00	B	1769	1799	25,650.00	23,280.00
						284-286T			
						324-326T			
						364-365T			
						284-286T			
080520	8 x 5	1224	29,420.00	25,140.00	B	1874	1874	27,640.00	24,810.00
						324-326T			
						364-365T			
						404-405T			
080520	8 x 5	1224	29,420.00	25,140.00	B	1994	1994	29,110.00	26,280.00
						444-445T			
						324-326T			
						364-365T			
080612	8 x 6	820	21,350.00	18,530.00	B	2095	2095	34,530.00	30,240.00
						404-405T			
						444-445T			
						447-449T			
080612	8 x 6	820	21,350.00	18,530.00	B	2310	2310	35,560.00	31,270.00
						254-256T			
						284-286T			
						324-326T			
080614	8 x 6	972	22,030.00	18,720.00	B	1685	1685	26,460.00	23,620.00
						364-365T			
						284-286T			
						324-326T			
080614	8 x 6	972	22,030.00	18,720.00	B	1715	1715	26,460.00	23,620.00
						364-365T			
						284-286T			
						324-326T			
080614	8 x 6	972	22,030.00	18,720.00	B	1867	1867	27,110.00	23,810.00
						364-365T			
						404-405T			
						444-445T			
080614	8 x 6	972	22,030.00	18,720.00	B	2102	2102	28,580.00	25,270.00
						404-405T			
						444-445T			
						444-445T			



# TC/TS Series Pumps

**Effective:** February 04, 2013

303-174

PAGE 3 OF 5

Pump Model No.	Conn.	Pump Only			Option Code	Fabricated Base, Pump, Coupling & Guard			
		Approx. Shipping Wt./Lbs.	Bronze Impeller	S.S. * Impeller		Motor Frame	Approx. Shipping Wt./Lbs.	Bronze Impeller	S.S. * Impeller
080618	8 x 6	1609	31,750.00	26,750.00	C	364-365T	2869	38,310.00	33,310.00
						404-405T	3234	40,510.00	35,520.00
						444-445T			
						447-449T			
5008	3399	41,770.00	36,760.00						
080622	8 x 6	1946	37,490.00	32,150.00	C	404-405T	3571	46,260.00	40,920.00
						444-445T			
						447-449T			
						5006	3741	47,540.00	42,210.00
						5008			
						5010			
5012									
100813	10 x 8	1285	27,150.00	23,070.00	C	324-326T	2551	33,710.00	29,620.00
						364-365T			
						404-405T			
						444-445T	2860	35,910.00	31,820.00
447-449T									
100816	10 x 8	1358	29,950.00	25,580.00	C	324-326T	2624	36,500.00	32,130.00
						364-365T			
						404-405T			
						444-445T	2933	38,710.00	34,340.00
447-449T									
100821	10 x 8	2196	37,370.00	31,320.00	D	404-405T	3486	43,790.00	37,750.00
						444-445T	3981	43,790.00	37,750.00
						447-449T			
						5006	4151	48,330.00	42,290.00
						5008			
						5010			
5012									
121014	12 x 10	1962	31,880.00	26,620.00	D	364-365T	3312	38,310.00	33,040.00
						404-405T			
						444-445T			
						447-449T	3747	38,310.00	33,040.00
5008									
121018	12 x 10	2480	43,560.00	36,040.00	E	404-405T	3880	51,660.00	44,140.00
						444-445T	4300	54,230.00	46,710.00
						447-449T			
						5006	4590	56,010.00	48,500.00
						5008			
						5010			
5012									

# TC/TS Series Pumps

**Effective:** February 04, 2013

303-174

PAGE 4 OF 5

Pump Model No.	Conn.	Pump Only			Option Code	Fabricated Base, Pump, Coupling & Guard			
		Approx. Shipping Wt./Lbs.	Bronze Impeller	S.S. * Impeller		Motor Frame	Approx. Shipping Wt./Lbs.	Bronze Impeller	S.S. * Impeller
141213	14 x 12	2150	31,840.00	26,430.00	D	324-326T	3500	38,260.00	32,840.00
						364-365T			
						404-405T			
						447-449T	3935	38,260.00	32,840.00
161217	16 x 12	2877	45,920.00	37,970.00	E	444-445T	4697	56,580.00	48,640.00
						447-449T			
						5006	4987	58,360.00	50,440.00
						5008			
						5010			
5012	4409	50,610.00	45,140.00						
404-405T									
444-445T									
447-449T									
161415	16 x 14	3009	42,520.00	37,010.00	E	5008	5119	54,960.00	49,480.00
						5010			

# TC/TS Series Pumps

Effective: February 04, 2013

303-174

PAGE 5 OF 5

OPTION	A	B	C	D	E
Stainless Steel Shaft	249.00	445.00	560.00	1,074.00	1,497.00
250 lb. Casing	1,275.00	2,128.00	3,450.00	3,950.00	5,450.00
Drip Pan	Standard	Standard	Standard	Standard	Standard
Certified Performance Test (Non-Witness)	3,900.00	4,130.00	4,320.00	4,470.00	4,470.00
Kynar Separator 901-1 Unmounted	1,429.00	1,429.00	1,429.00	1,429.00	1,429.00
OSHA Guard	935.00	935.00	935.00	935.00	935.00

MOTOR SIZE	**LIST PRICE FOR SHOP MOUNTING MOTORS SUPPLIED BY CUSTOMER:
Up to 7 - ½ HP	523.00
10 to 40 HP	590.00
50 to 100 HP	944.00
125 to 200 HP	1,298.00
***Above 200 HP	1,481.00

\* Stainless Steel impeller option includes Stainless Steel Wear Ring and Stainless Steel Shaft Sleeve.

\* \*1. Prices apply when customer's motor is sent to TACO for mounting, when pump baseplate and coupling are supplied by TACO.

2. Prices apply to standard "T" frame horizontal motors only.

3. Customer's motors for TACO mounting must be shipped prepaid to the factory.

\*\*\* Motors weighing over 5000lb cannot be shop-mounted.

## ORDERING INSTRUCTIONS FOR CUSTOMER-SUPPLIED SHOP-MOUNTED MOTORS:

1. Tag motors being shipped to TACO with the customer purchase order number, TACO shop order number and the MRO number issued by customer service.

2. Specify motor manufacturer and frame size on order write-up.



TACO INC., 1160 Cranston Street, Cranston, RI 02920 Telephone: (401) 942-8000 Fax: (401) 942-2360  
TACO (Canada), Ltd., 8450 Lawson Road, Milton, Ontario L9T 0J8 Telephone: (905) 564-9422 Fax: (905) 564-9436  
Visit our website at: [www.taco-hvac.com](http://www.taco-hvac.com). Printed in USA. Copyright 2007, TACO, Inc.



# Replacement Parts List Prices TC/TS Parts

303-175

PAGE 1 OF 15

**Supersedes: September 12, 2011**

**Effective: February 04, 2013**

**TC PARTS KITS**

PUMP MODEL	SHAFT	SHAFT KIT	LIST PRICE (\$)	RETAINING NUTS & WASHERS KIT	LIST PRICE (\$)	MECHANICAL SEAL & SEAL SLEEVE KIT	LIST PRICE (\$)	O-RING KIT	LIST PRICE (\$)
TC050308	CW CS	955-1663RP	556.00	955-2549RP	186.00	955-2562RP	746.00	955-2538RP	140.50
TC050310	CCW CS	955-2417RP	556.00	955-2554RP	186.00				
TC050314	CW SS	955-1668RP	884.00	955-2549RP	186.00				
TC060410	CCW SS	955-2421RP	884.00	955-2554RP	186.00				
TC060416									
TC060412	CW CS	955-1664RP	756.00	955-2550RP	179.00	955-2563RP	876.00	955-2539RP	140.50
TC080510	CCW CS	955-2407RP	756.00	955-2555RP	186.00				
TC080512	CW SS	955-1669RP	1,341.00	955-2550RP	186.00				
TC080515									
TC080520	CCW SS	955-2406RP	1,341.00	955-2555RP	186.00				
TC080612									
TC080614									
TC080618	CW CS	955-1665RP	964.00	955-2551RP	204.00	955-2564RP	1,319.00	955-2540RP	140.50
TC080622	CCW CS	955-2418RP	964.00	955-2556RP	204.00				
TC100813	CW SS	955-1662RP	1,698.00	955-2551RP	204.00				
TC100816	CCW SS	955-2422RP	1,698.00	955-2556RP	204.00				
TC100821	CW CS	955-1666RP	1,329.00	955-2552RP	259.00	955-2565RP	1,407.00	955-2541RP	140.50
TC121014	CCW CS	955-2419RP	1,329.00	955-2557RP	259.00				
TC141213	CW SS	955-1680RP	2,054.00	955-2552RP	259.00				
	CCW SS	955-2423RP	2,054.00	955-2557RP	259.00				
TC121018	CW CS	955-1667RP	1,690.00	955-2553RP	273.50	955-2566RP	1,505.00	955-2542RP	140.50
TC161217	CCW CS	955-2420RP	1,690.00	955-2558RP	273.50				
	CW SS	955-1681RP	2,740.00	955-2553RP	273.50				
TC161415	CCW SS	955-2424RP	2,740.00	955-2558RP	273.50				

**LEGEND:**

- CW - CLOCKWISE
- CCW - COUNTERCLOCKWISE
- CS - CARBON STEEL
- SS - STAINLESS STEEL



TACO INC., 1160 Cranston Street, Cranston, RI 02920 Telephone: (401) 942-8000 Fax: (401) 942-2360  
 TACO (Canada), Ltd., 8450 Lawson Road, Milton, Ontario L9T 0J8 Telephone: (905) 564-9422 Fax: (905) 564-9436  
 Visit our website at: [www.taco-hvac.com](http://www.taco-hvac.com). Printed in USA. Copyright 2007, TACO, Inc.

# TC PUMPS

Effective Date: February 04, 2013

303-175

PAGE 2 of 15

I.D. NO.	ITEM #9 CASING 125lb PART NUMBER	PUMP MODEL	LIST PRICE (\$)
1	955-1510RP	TC050308	3,300.00
2	955-1511RP	TC050310	3,800.00
3	955-1512RP	TC050314	3,800.00
4	955-1513RP	TC060410	4,330.00
5	955-1514RP	TC060412	4,520.00
6	955-1515RP	TC060416	4,050.00
7	955-1516RP	TC080510	5,370.00
8	955-1517RP	TC080512	6,390.00
9	955-1518RP	TC080515	5,980.00
10	955-1519RP	TC080520	6,160.00
11	955-1520RP	TC080612	5,370.00
12	955-1521RP	TC080614	6,340.00
13	955-1522RP	TC080618	10,170.00
14	955-1523RP	TC080622	12,500.00
15	955-1524RP	TC100813	9,680.00
16	955-1525RP	TC100816	9,430.00
17	955-1526RP	TC100821	14,200.00
18	955-1527RP	TC121014	13,210.00
19	955-1528RP	TC121018	16,440.00
20	955-1529RP	TC141213	14,300.00
21	955-1530RP	TC161217	18,300.00
22	955-1531RP	TC161415	20,970.00

I.D. NO.	ITEM #9 CASING 250lb PART NUMBER (continued)	PUMP MODEL	LIST PRICE (\$)
15	955-1546RP	TC100813	9,680.00
16	955-1547RP	TC100816	9,430.00
17	955-1548RP	TC100821	14,200.00
18	955-1549RP	TC121014	13,210.00
19	955-1550RP	TC121018	16,440.00
20	955-1551RP	TC141213	14,300.00
21	955-1552RP	TC161217	18,300.00
22	955-1553RP	TC161415	20,970.00

I.D. NO.	ITEM #8 CASING COVER A PART NUMBER	PUMP MODEL	LIST PRICE (\$)
1	955-1554RP	TC050308	729.00
2	955-1555RP	TC050310	1,021.00
3	955-1556RP	TC050314	1,601.00
4	955-1557RP	TC060410	1,059.00
5	955-1558RP	TC060412	1,307.00
6	955-1559RP	TC060416	1,472.00
7	955-1560RP	TC080510	1,373.00
8	955-1561RP	TC080512	1,568.00
9	955-1562RP	TC080515	2,108.00
10	955-1563RP	TC080520	3,270.00
11	955-1564RP	TC080612	1,408.00
12	955-1565RP	TC080614	1,994.00
13	955-1566RP	TC080618	3,180.00
14	955-1567RP	TC080622	4,570.00
15	955-1568RP	TC100813	2,135.00
16	955-1569RP	TC100816	2,510.00
17	955-1570RP	TC100821	3,200.00
18	955-1571RP	TC121014	3,370.00
19	955-1572RP	TC121018	4,480.00
20	955-1573RP	TC141213	4,240.00
21	955-1574RP	TC161217	4,990.00
22	955-1575RP	TC161415	4,930.00

I.D. NO.	ITEM #9 CASING 250lb PART NUMBER	PUMP MODEL	LIST PRICE (\$)
1	955-1532RP	TC050308	3,300.00
2	955-1533RP	TC050310	3,800.00
3	955-1534RP	TC050314	3,800.00
4	955-1535RP	TC060410	4,330.00
5	955-1536RP	TC060412	4,520.00
6	955-1537RP	TC060416	4,050.00
7	955-1538RP	TC080510	5,370.00
8	955-1539RP	TC080512	6,390.00
9	955-1540RP	TC080515	5,980.00
10	955-1541RP	TC080520	6,160.00
11	955-1542RP	TC080612	5,370.00
12	955-1543RP	TC080614	6,360.00
13	955-1544RP	TC080618	10,170.00
14	955-1545RP	TC080622	12,500.00



TACO INC., 1160 Cranston Street, Cranston, RI 02920 Telephone: (401) 942-8000 Fax: (401) 942-2360  
 TACO (Canada), Ltd., 8450 Lawson Road, Milton, Ontario L9T 0J8 Telephone: (905) 564-9422 Fax: (905) 564-9436  
 Visit our website at: www.taco-hvac.com. Printed in USA. Copyright 2007, TACO, Inc.

# TC PUMPS

**Effective Date:** February 04, 2013

303-175

PAGE 3 of 15

I.D. NO.	ITEM #3 CASING COVER B PART NUMBER	PUMP MODEL	LIST PRICE (\$)
1	955-1576RP	TC050308	729.00
2	955-1577RP	TC050310	1,021.00
3	955-1578RP	TC050314	1,601.00
4	955-1579RP	TC060410	1,076.00
5	955-1580RP	TC060412	1,347.00
6	955-1581RP	TC060416	1,492.00
7	955-1582RP	TC080510	1,372.00
8	955-1583RP	TC080512	1,577.00
9	955-1584RP	TC080515	1,994.00
10	955-1585RP	TC080520	3,360.00
11	955-1586RP	TC080612	1,409.00
12	955-1587RP	TC080614	1,948.00
13	955-1588RP	TC080618	3,160.00
14	955-1589RP	TC080622	4,590.00
15	955-1590RP	TC100813	2,159.00
16	955-1591RP	TC100816	2,510.00
17	955-1592RP	TC100821	3,200.00
18	955-1593RP	TC121014	3,500.00
19	955-1594RP	TC121018	4,380.00
20	955-1595RP	TC141213	4,310.00
21	955-1596RP	TC161217	5,020.00
22	955-1597RP	TC161415	4,930.00

I.D. NO.	ITEM #5 WEAR RING PART NUMBER (continued)	PUMP MODEL	LIST PRICE (\$)
12	955-1608RP	TC121014	1,200.00
		TC121018	
		TC161415	
13	955-1609RP	TC141213	1,041.00
14	955-1610RP	TC161217	1,372.00

I.D. NO.	ITEM #6 IMPELLER, S.S. PART NUMBER	PUMP MODEL	LIST PRICE (\$)
1	955-1611RP	TC050308	1,825.00
2	955-1612RP	TC050310	2,540.00
3	955-1613RP	TC050314	2,420.00
4	955-1614RP	TC060410	3,270.00
5	955-1615RP	TC060412	2,880.00
6	955-1616RP	TC060416	5,220.00
7	955-1617RP	TC080510	3,120.00
8	955-1618RP	TC080512	2,880.00
9	955-1619RP	TC080515	4,490.00
10	955-1620RP	TC080520	9,210.00
11	955-1621RP	TC080612	3,480.00
12	955-1622RP	TC080614	5,150.00
13	955-1623RP	TC080618	10,600.00
14	955-1624RP	TC080622	12,050.00
15	955-1625RP	TC100813	5,300.00
16	955-1626RP	TC100816	7,170.00
17	955-1627RP	TC100821	10,090.00
18	955-1628RP	TC121014	7,990.00
19	955-1629RP	TC121018	15,310.00
20	955-1630RP	TC141213	6,810.00
21	955-1631RP	TC161217	11,950.00
22	955-1632RP	TC161415	8,930.00

I.D. NO.	ITEM #5 WEAR RING PART NUMBER	PUMP MODEL	LIST PRICE (\$)
1	955-1598RP	TC050308	469.50
		TC050314	
2	955-1599RP	TC050310	254.00
3	955-1600RP	TC060410	718.00
		TC060416	
4	955-1601RP	TC060412	863.00
6	955-1602RP	TC080510	1,147.00
		TC080512	
		TC080515	
		TC080520	
7	955-1603RP	TC080612	1,025.00
8	955-1604RP	TC080614	1,340.00
9	955-1605RP	TC080618	1,120.00
		TC080622	
10	955-1606RP	TC100813	1,111.00
		TC100816	
11	955-1607RP	TC100821	714.00



TACO INC., 1160 Cranston Street, Cranston, RI 02920 Telephone: (401) 942-8000 Fax: (401) 942-2360  
 TACO (Canada), Ltd., 8450 Lawson Road, Milton, Ontario L9T 0J8 Telephone: (905) 564-9422 Fax: (905) 564-9436  
 Visit our website at: [www.taco-hvac.com](http://www.taco-hvac.com). Printed in USA. Copyright 2007, TACO, Inc.

# TC PUMPS

**Effective Date:** February 04, 2013

303-175

PAGE 4 of 15

I.D. NO.	ITEM #6 IMPELLER, Brz PART NUMBER	PUMP MODEL	LIST PRICE (\$)
1	955-1633RP	TC050308	3,070.00
2	955-1634RP	TC050310	4,350.00
3	955-1635RP	TC050314	4,000.00
4	955-1636RP	TC060410	5,710.00
5	955-1637RP	TC060412	4,940.00
6	955-1638RP	TC060416	9,020.00
7	955-1639RP	TC080510	5,360.00
8	955-1640RP	TC080512	4,920.00
9	955-1641RP	TC080515	7,660.00
10	955-1642RP	TC080520	16,030.00
11	955-1643RP	TC080612	6,000.00
12	955-1644RP	TC080614	8,850.00
13	955-1645RP	TC080618	18,530.00
14	955-1646RP	TC080622	20,840.00
15	955-1647RP	TC100813	9,020.00
16	955-1648RP	TC100816	12,320.00
17	955-1649RP	TC100821	17,320.00
18	955-1650RP	TC121014	13,870.00
19	955-1651RP	TC121018	26,920.00
20	955-1652RP	TC141213	11,680.00
21	955-1653RP	TC161217	20,780.00
22	955-1654RP	TC161415	15,450.00

I.D. NO.	ITEM #7 O-RING-CASING/ COVER PART NUMBER	PUMP MODEL	LIST PRICE (\$)
1	955-1655RP	TC050308	21.35
		TC050310	
		TC050314	
		TC060410	
		TC060416	
2	955-1656RP	TC060412	21.35
		TC080510	
		TC080512	
		TC080515	
		TC080520	
		TC080612	
3	955-1657RP	TC080614	21.35
		TC080618	
		TC080622	
		TC100813	
		TC100816	

I.D. NO.	ITEM #7 O-RING-CASING/ COVER PART NUMBER (continued)	PUMP MODEL	LIST PRICE (\$)
4	955-1658RP	TC100821	21.35
		TC121014	
5	955-1659RP	TC121018	21.35
6	955-1660RP	TC141213	21.35
7	955-1661RP	TC161217	21.35
		TC161415	

I.D. NO.	ITEM #40 O-RING-SHAFT SLEEVE/SHAFT PART NUMBER	PUMP MODEL	LIST PRICE (\$)
1	955-1670RP	TC050308	25.15
		TC050310	
		TC050314	
		TC060410	
		TC060416	
2	955-1671RP	TC060412	25.15
		TC080510	
		TC080512	
		TC080515	
		TC080520	
		TC080612	
3	955-1672RP	TC080614	25.15
		TC080618	
		TC080622	
		TC100813	
4	955-1673RP	TC100816	25.15
		TC100821	
		TC121014	
5	955-1674RP	TC141213	25.15
		TC121018	
		TC161217	
		TC161415	



TACO INC., 1160 Cranston Street, Cranston, RI 02920 Telephone: (401) 942-8000 Fax: (401) 942-2360  
 TACO (Canada), Ltd., 8450 Lawson Road, Milton, Ontario L9T 0J8 Telephone: (905) 564-9422 Fax: (905) 564-9436  
 Visit our website at: [www.taco-hvac.com](http://www.taco-hvac.com). Printed in USA. Copyright 2007, TACO, Inc.

# TC PUMPS

**Effective Date:** February 04, 2013

303-175

PAGE 5 of 15

I.D. NO.	ITEM #12 IMPELLER SHAFT SLEEVE O-RING PART NUMBER	PUMP MODEL	LIST PRICE (\$)
1	955-1675RP	TC050308	25.15
		TC050310	
		TC050314	
		TC060410	
		TC060416	
2	955-1676RP	TC060412	25.15
		TC080510	
		TC080512	
		TC080515	
		TC080520	
		TC080612	
3	955-1677RP	TC080614	25.15
		TC080618	
		TC080622	
		TC100813	
4	955-1678RP	TC100816	25.15
		TC100821	
		TC121014	
5	955-1679RP	TC141213	25.15
		TC121018	
		TC161217	
		TC161415	

I.D. NO.	ITEM #1 O-RING- SEAL COVER/ CASING COVER PART NUMBER (continued)	PUMP MODEL	LIST PRICE (\$)
4	955-1685RP	TC100821	37.75
		TC121014	
		TC141213	
5	955-1686RP	TC121018	37.75
		TC161217	
		TC161415	

I.D. NO.	ITEM #1 O-RING- SEAL COVER/ CASING COVER PART NUMBER	PUMP MODEL	LIST PRICE (\$)
1	955-1682RP	TC050308	37.75
		TC050310	
		TC050314	
		TC060410	
		TC060416	
2	955-1683RP	TC060412	37.75
		TC080510	
		TC080512	
		TC080515	
		TC080520	
		TC080612	
3	955-1684RP	TC080614	37.75
		TC080618	
		TC080622	
		TC100813	
		TC100816	

I.D. NO.	ITEM #38 SHAFT KIT, CARBON STEEL PART NUMBER	PUMP MODEL	LIST PRICE (\$)
1	955-1663RP Clockwise	TC050308	556.00
		TC050310	
		TC050314	
		TC060410	
		TC060416	
2	955-1664RP Clockwise	TC060412	756.00
		TC080510	
		TC080512	
		TC080515	
		TC080520	
		TC080612	
3	955-1665RP Clockwise	TC080614	964.00
		TC080618	
		TC080622	
		TC100813	
4	955-1666RP Clockwise	TC100816	1,329.00
		TC100821	
		TC121014	
5	955-1667RP Clockwise	TC141213	1,690.00
		TC121018	
		TC161217	
		TC161415	



TACO INC., 1160 Cranston Street, Cranston, RI 02920 Telephone: (401) 942-8000 Fax: (401) 942-2360  
 TACO (Canada), Ltd., 8450 Lawson Road, Milton, Ontario L9T 0J8 Telephone: (905) 564-9422 Fax: (905) 564-9436  
 Visit our website at: [www.taco-hvac.com](http://www.taco-hvac.com). Printed in USA. Copyright 2007, TACO, Inc.



# TC PUMPS

**Effective Date:** February 04, 2013

303-175

PAGE 6 of 15

I.D. NO.	ITEM #38 SHAFT KIT STAINLESS STEEL PART NUMBER	PUMP MODEL	LIST PRICE (\$)
1	955-1662RP Clockwise	TC080618	1,698.00
		TC080622	
		TC100813	
2	955-1668RP Clockwise	TC050308	884.00
		TC050310	
		TC050314	
		TC060410	
		TC060416	
3	955-1669RP Clockwise	TC080510	1,341.00
		TC080512	
		TC080515	
		TC080520	
		TC080612	
		TC080614	
4	955-1680RP Clockwise	TC100821	2,054.00
		TC121014	
		TC141213	
5	955-1681RP Clockwise	TC121018	2,740.00
		TC161217	
		TC161415	

I.D. NO.	ITEM #39 BEARING SLEEVE BRONZE PART NUMBER	PUMP MODEL	LIST PRICE (\$)
4	955-1690RP	TC100821	437.00
		TC121014	
		TC141213	
5	955-1691RP	TC121018	604.00
		TC161217	
		TC161415	

I.D. NO.	ITEM #39 BEARING SLEEVE STAINLESS STEEL PART NUMBER	PUMP MODEL	LIST PRICE (\$)
1	955-1692	TC050308	307.00
		TC050310	
		TC050314	
		TC060410	
		TC060416	
2	955-1693	TC060412	416.50
		TC080510	
		TC080512	
		TC080515	
		TC080520	
		TC080612	
3	955-1694	TC080614	771.00
		TC080618	
		TC080622	
		TC100813	
4	955-1695	TC100816	771.00
		TC100821	
		TC121014	
5	955-1696	TC141213	1,085.00
		TC121018	
		TC161217	
		TC161415	

I.D. NO.	ITEM #39 BEARING SLEEVE BRONZE PART NUMBER	PUMP MODEL	LIST PRICE (\$)
1	955-1687RP	TC050308	116.00
		TC050310	
		TC050314	
		TC060410	
		TC060416	
2	955-1688RP	TC060412	209.00
		TC080510	
		TC080512	
		TC080515	
		TC080520	
		TC080612	
		TC080614	
3	955-1689	TC080618	298.00
		TC080622	
		TC080613	
		TC080617	



TACO INC., 1160 Cranston Street, Cranston, RI 02920 Telephone: (401) 942-8000 Fax: (401) 942-2360  
 TACO (Canada), Ltd., 8450 Lawson Road, Milton, Ontario L9T 0J8 Telephone: (905) 564-9422 Fax: (905) 564-9436  
 Visit our website at: www.taco-hvac.com. Printed in USA. Copyright 2007, TACO, Inc.

# TC PUMPS

**Effective Date:** February 04, 2013

303-175

PAGE 7 of 15

## WOODS DURAFLEX COUPLER

I.D. NO.	ITEM #60 IMPELLER KEY PART NUMBER	PUMP MODEL	LIST PRICE (\$)
1	955-1697RP	TC050308	16.40
		TC050310	
		TC050314	
		TC060410	
		TC060416	
2	955-1698RP	TC060412	16.40
		TC080510	
		TC080512	
		TC080515	
		TC080520	
		TC080612	
3	955-1699RP	TC080614	26.40
		TC080618	
		TC080622	
		TC100813	
4	955-1700RP	TC100816	26.40
		TC100821	
		TC121014	
5	955-1701RP	TC141213	26.40
		TC12109	
		TC161217	
		TC161415	

I.D. NO.	ITEM #80 WOODS INSERT PART NUMBER	PUMP MODEL	LIST PRICE (\$)
1	953-2438RP	TC050308	176.00
		TC050310	
		TC050314	
		TC060410	
2	953-2446RP	TC050310	258.50
		TC050314	
		TC060410	
		TC060412	
		TC080510	
		TC080512	
3	953-2455RP	TC080612	338.50
		TC050314	
		TC060410	
		TC060412	
		TC060416	
		TC080510	
		TC080512	
4	953-2464RP	TC080515	582.00
		TC080612	
		TC080614	
		TC050314	
		TC060412	
		TC060416	
		TC080510	
		TC080512	
5	953-2475RP	TC080515	720.00
		TC080520	
		TC080612	
		TC080614	
		TC080618	
		TC100813	
		TC100816	
		TC121014	
		TC141213	
		TC060412	
		TC060416	



TACO INC., 1160 Cranston Street, Cranston, RI 02920 Telephone: (401) 942-8000 Fax: (401) 942-2360  
 TACO (Canada), Ltd., 8450 Lawson Road, Milton, Ontario L9T 0J8 Telephone: (905) 564-9422 Fax: (905) 564-9436  
 Visit our website at: www.taco-hvac.com. Printed in USA. Copyright 2007, TACO, Inc.

# TC PUMPS

**Effective Date:** February 04, 2013

303-175

PAGE 8 of 15

## WOODS DURAFLEX COUPLER

I.D. NO.	ITEM #80 WOODS INSERT PART NUMBER	PUMP MODEL	LIST PRICE (\$)
6	953-2478RP	TC060416	939.00
		TC080515	
		TC080520	
		TC080614	
		TC080618	
		TC080622	
		TC100813	
		TC100816	
		TC100821	
		TC121014	
		TC121018	
		TC141213	
		TC161415	
7	953-2544RP	TC080515	950.00
		TC080520	
		TC080614	
		TC080618	
		TC080622	
		TC100813	
		TC100816	
		TC100821	
		TC121014	
		TC121018	
8	953-2545RP	TC080618	1,686.00
		TC080622	
		TC100813	
		TC100816	
		TC100821	
		TC121014	
		TC121018	
		TC141213	
9	953-4046RP	TC080618	1,685.00
		TC080622	
		TC100821	
		TC121014	
		TC121018	
		TC161217	

I.D. NO.	ITEM #80 WOODS INSERT PART NUMBER	PUMP MODEL	LIST PRICE (\$)
10	953-4055RP	TC080622	2,415.00
		TC100818	
		TC100821	
		TC121018	
		TC161217	

I.D. NO.	ITEM #81 MOTOR HUB PART NUMBER	PUMP MODEL	LIST PRICE (\$)
1	953-2439RP	TR050308	76.00
2	953-2441RP	TC050308	170.00
		TC050310	
3	953-2443RP	TC060410	122.50
		TC050308	
		TC050310	
4	953-2445RP	TC050314	170.00
		TC060410	
5	953-2450RP	TC050310	170.00
		TC050314	
6	953-2452RP	TC060410	170.00
		TC060412	
		TC080510	
		TC080512	
		TC080612	
7	953-2460RP	TC050314	221.50
		TC060412	
		TC060410	
		TC060416	
		TC080512	
		TC080510	
8	953-2462RP	TC080612	221.50
		TC050314	
		TC060410	
		TC060412	
		TC060416	
		TC080510	



TACO INC., 1160 Cranston Street, Cranston, RI 02920 Telephone: (401) 942-8000 Fax: (401) 942-2360  
 TACO (Canada), Ltd., 8450 Lawson Road, Milton, Ontario L9T 0J8 Telephone: (905) 564-9422 Fax: (905) 564-9436  
 Visit our website at: [www.taco-hvac.com](http://www.taco-hvac.com). Printed in USA. Copyright 2007, TACO, Inc.

# TC PUMPS

Effective Date: February 04, 2013

303-175

PAGE 9 of 15

## WOODS DURAFLEX COUPLER

I.D. NO.	ITEM #81 MOTOR HUB PART NUMBER	PUMP MODEL	LIST PRICE (\$)	I.D. NO.	ITEM #81 MOTOR HUB PART NUMBER	PUMP MODEL	LIST PRICE (\$)	
8 (con't)	953-2462RP	TC080612	221.50	13	953-2539RP	TC080515	301.50	
		TC080614				TC080612		
9	953-2471RP	TC050314	375.50			TC080614		TC080618
		TC060412				TC100813		
		TC060416				TC100816		
		TC080512				TC141213		
		TC080515						
		TC080612						
		TC080614						
10	953-2472RP	TC050314	380.50	14	953-2542RP	TC080515	330.50	
		TC060412				TC080520		
		TC060416				TC080614		
		TC080510				TC080618		
		TC080512				TC141213		
		TC080515				TC100816		
		TC080520		TC100813				
		TC080612		15	953-2543RP	603.00	TC080515	
		TC080614					TC080520	
		TC100813					TC080614	
TC100816	TC080618							
11	953-2477RP	TC060412	464.00	16	953-2549RP	TC100813	1,174.00	
		TC060416				TC080515		
		TC080512				TC080520		
		TC080515				TC080614		
		TC080520				TC080618		
		TC080612				TC080622		
		TC080614				TC100813		
		TC080618				TC100816		
		TC100813				TC100821		
		TC100816				TC121014		
TC121014	TC121018							
TC141213	TC141213							
12	953-2480RP	TC060416	603.00	17	953-2551RP	TC161217	1,423.00	
		TC080515				TC080618		
		TC080520				TC080622		
		TC080614				TC100813		
		TC080618				TC100816		
		TC080622				TC100821		
		TC100813				TC121014		
		TC100816				TC121018		
		TC100821				TC141213		
		TC121014				TC161217		
		TC121018				TC161415		
		TC141213						
TC161415								



TACO INC., 1160 Cranston Street, Cranston, RI 02920 Telephone: (401) 942-8000 Fax: (401) 942-2360  
 TACO (Canada), Ltd., 8450 Lawson Road, Milton, Ontario L9T 0J8 Telephone: (905) 564-9422 Fax: (905) 564-9436  
 Visit our website at: www.taco-hvac.com. Printed in USA. Copyright 2007, TACO, Inc.

# TC PUMPS

**Effective Date:** February 04, 2013

303-175

PAGE 10 of 15

## WOODS DURAFLEX COUPLER

I.D. NO.	ITEM #81 MOTOR HUB PART NUMBER	PUMP MODEL	LIST PRICE (\$)
18	953-3925RP	TC080520	1,310.00
		TC080618	
		TC100816	
		TC100821	
		TC121014	
		TC141213	
		TC161415	
19	953-4052RP	TC080618	2,369.00
		TC080622	
		TC100821	
		TC121014	
		TC121018	
		TC161217	
		TC161415	
20	953-4093RP	TC080622	2,454.00
		TC100821	
		TC161217	
		TC161415	
		TC121018	
21	953-4097RP	TC100821	3,600.00
		TC121018	
		TC161217	
		TC080622	

I.D. NO.	ITEM #82 PUMP HUB PART NUMBER	PUMP MODEL	LIST PRICE (\$)
1	953-2478RP	TC100821	939.00
		TC121014	
		TC141213	
2	953-2544RP	TC100821	950.00
		TC121014	
3	953-2545RP	TC100821	1,686.00
4	953-3053RP	TC100813	652.00
		TC100816	
5	953-3112RP	TC161415	1,186.00
		TC121018	
6	953-3118RP	TC121014	1,025.00
		TC141213	
7	953-3189RP	TC080618	1,093.00
		TC080622	
		TC100813	
		TC100816	

I.D. NO.	ITEM #82 PUMP HUB PART NUMBER	PUMP MODEL	LIST PRICE (\$)
8	953-3190RP	TC100821	1,608.00
		TC121014	
		TC141213	
9	953-3307RP	TC080618	1,088.00
		TC080622	
		TC100813	
		TC100816	
10	953-3314RP	TC121018	1,608.00
		TC161217	
		TC161415	
11	953-3316RP	TC121014	759.00
		TC141213	
12	953-3337RP	TC080618	1,088.00
		TC100813	
		TC100816	
13	953-4046RP	TC100821	1,685.00
14	953-4047RP	TC121018	2,454.00
		TC161217	
		TC161415	
15	953-4071RP	TC100821	1,964.00
		TC121014	
		TC141213	
16	953-4078RP	TC060412	603.00
		TC080512	
		TC080515	
		TC080520	
		TC080612	
		TC080614	
		TC100813	
TC100816			



TACO INC., 1160 Cranston Street, Cranston, RI 02920 Telephone: (401) 942-8000 Fax: (401) 942-2360  
 TACO (Canada), Ltd., 8450 Lawson Road, Milton, Ontario L9T 0J8 Telephone: (905) 564-9422 Fax: (905) 564-9436  
 Visit our website at: [www.taco-hvac.com](http://www.taco-hvac.com). Printed in USA. Copyright 2007, TACO, Inc.

# TC PUMPS

**Effective Date:** February 04, 2013

303-175

PAGE 11 of 15

## WOODS DURAFLEX COUPLER

I.D. NO.	ITEM #82 PUMP HUB PART NUMBER	PUMP MODEL	LIST PRICE (\$)	I.D. NO.	ITEM # 82 PUMP HUB PART NUMBER	PUMP MODEL	LIST PRICE (\$)																																																																																																			
17	953-4079RP	TC080515	991.00	29	953-4092RP	TC121018	3,980.00																																																																																																			
		TC080520				TC161217																																																																																																				
		TC080614				TC161415																																																																																																				
18	953-4080RP	TC080618	1,988.00	30	953-4094RP	TC080618	4,980.00																																																																																																			
		TC080622				TC080622																																																																																																				
		TC100813		2,454.00	31	953-4095RP	TC100821																																																																																																			
		TC100816					TC121014																																																																																																			
19	953-4082RP	TC060412	1,019.00	32	953-4098RP	TC100821	7,300.00																																																																																																			
		TC080510		7,300.00	33	953-4099RP	TC121018																																																																																																			
		TC080512					TC161217																																																																																																			
		TC080515		7,290.00	34	953-4110RP	TC080622																																																																																																			
		TC080612																																																																																																								
		TC080614																																																																																																								
TC050308																																																																																																										
20	953-4083RP	TC050310	681.00	<table border="1" style="width: 100%; border-collapse: collapse;"> <thead> <tr> <th style="width: 10%;">I.D. NO.</th> <th style="width: 15%;">ITEM #16 MECHANICAL SEAL TYPE 2100 UNBALANCED PART NUMBER</th> <th style="width: 15%;">PUMP MODEL</th> <th style="width: 15%;">LIST PRICE (\$)</th> </tr> </thead> <tbody> <tr> <td rowspan="4">1</td> <td rowspan="4">955-2402RP</td> <td>TC050308</td> <td rowspan="4">643.00</td> </tr> <tr> <td>TC050310</td> </tr> <tr> <td>TC050314</td> </tr> <tr> <td>TC060410</td> </tr> <tr> <td rowspan="4">2</td> <td rowspan="4">955-1840RP</td> <td>TC060412</td> <td rowspan="4">751.00</td> </tr> <tr> <td>TC080510</td> </tr> <tr> <td>TC080512</td> </tr> <tr> <td>TC080515</td> </tr> <tr> <td rowspan="4">3</td> <td rowspan="4">955-1841RP</td> <td>TC080520</td> <td rowspan="4">1,192.00</td> </tr> <tr> <td>TC080612</td> </tr> <tr> <td>TC080614</td> </tr> <tr> <td>TC080618</td> </tr> <tr> <td rowspan="4">21</td> <td rowspan="4">953-4084RP</td> <td>TC050310</td> <td rowspan="4">856.00</td> <td rowspan="3">4</td> <td rowspan="3">955-2403RP</td> <td>TC100821</td> <td rowspan="3">1,396.00</td> </tr> <tr> <td>TC050314</td> <td>TC121014</td> </tr> <tr> <td>TC060410</td> <td>TC141213</td> </tr> <tr> <td rowspan="4">22</td> <td rowspan="4">953-4085RP</td> <td>TC060412</td> <td rowspan="4">856.00</td> <td rowspan="3">5</td> <td rowspan="3">955-1843RP</td> <td>TC121018</td> <td rowspan="3">1,499.00</td> </tr> <tr> <td>TC080510</td> <td>TC161217</td> </tr> <tr> <td>TC080512</td> <td>TC161415</td> </tr> <tr> <td>TC080612</td> </tr> <tr> <td rowspan="3">23</td> <td rowspan="3">953-4086RP</td> <td>TC050314</td> <td rowspan="3">1,019.00</td> <td rowspan="3">25</td> <td rowspan="3">953-4088RP</td> <td>TC060412</td> <td rowspan="3">1,324.00</td> </tr> <tr> <td>TC060410</td> <td>TC080510</td> </tr> <tr> <td>TC060416</td> <td>TC080512</td> </tr> <tr> <td rowspan="2">24</td> <td rowspan="2">953-4087RP</td> <td>TC050314</td> <td rowspan="2">1,324.00</td> <td>TC080515</td> <td rowspan="2">1,756.00</td> </tr> <tr> <td>TC060416</td> <td>TC080520</td> </tr> <tr> <td rowspan="6">25</td> <td rowspan="6">953-4088RP</td> <td>TC060412</td> <td rowspan="6">1,324.00</td> <td>TC080612</td> <td rowspan="6">2,409.00</td> </tr> <tr> <td>TC080510</td> </tr> <tr> <td>TC080512</td> </tr> <tr> <td>TC080515</td> </tr> <tr> <td>TC080520</td> </tr> <tr> <td>TC080614</td> </tr> <tr> <td>26</td> <td>953-4089RP</td> <td>TC060416</td> <td>1,756.00</td> <td rowspan="3">28</td> <td rowspan="3">953-4091RP</td> <td>TC080515</td> <td rowspan="3">1,609.00</td> </tr> <tr> <td>27</td> <td>953-4090RP</td> <td>TC060416</td> <td>2,409.00</td> <td>TC080520</td> </tr> <tr> <td></td> <td></td> <td></td> <td></td> <td>TC080614</td> </tr> </tbody> </table>				I.D. NO.	ITEM #16 MECHANICAL SEAL TYPE 2100 UNBALANCED PART NUMBER	PUMP MODEL	LIST PRICE (\$)	1	955-2402RP	TC050308	643.00	TC050310	TC050314	TC060410	2	955-1840RP	TC060412	751.00	TC080510	TC080512	TC080515	3	955-1841RP	TC080520	1,192.00	TC080612	TC080614	TC080618	21	953-4084RP	TC050310	856.00	4	955-2403RP	TC100821	1,396.00	TC050314	TC121014	TC060410	TC141213	22	953-4085RP	TC060412	856.00	5	955-1843RP	TC121018	1,499.00	TC080510	TC161217	TC080512	TC161415	TC080612	23	953-4086RP	TC050314	1,019.00	25	953-4088RP	TC060412	1,324.00	TC060410	TC080510	TC060416	TC080512	24	953-4087RP	TC050314	1,324.00	TC080515	1,756.00	TC060416	TC080520	25	953-4088RP	TC060412	1,324.00	TC080612	2,409.00	TC080510	TC080512	TC080515	TC080520	TC080614	26	953-4089RP	TC060416	1,756.00	28	953-4091RP	TC080515	1,609.00	27	953-4090RP	TC060416	2,409.00	TC080520					TC080614
		I.D. NO.						ITEM #16 MECHANICAL SEAL TYPE 2100 UNBALANCED PART NUMBER	PUMP MODEL	LIST PRICE (\$)																																																																																																
		1		955-2402RP	TC050308	643.00																																																																																																				
					TC050310																																																																																																					
TC050314																																																																																																										
TC060410																																																																																																										
2	955-1840RP	TC060412	751.00																																																																																																							
		TC080510																																																																																																								
		TC080512																																																																																																								
		TC080515																																																																																																								
3	955-1841RP	TC080520	1,192.00																																																																																																							
		TC080612																																																																																																								
		TC080614																																																																																																								
		TC080618																																																																																																								
21	953-4084RP	TC050310	856.00	4	955-2403RP	TC100821	1,396.00																																																																																																			
		TC050314				TC121014																																																																																																				
		TC060410				TC141213																																																																																																				
		22		953-4085RP	TC060412	856.00	5	955-1843RP	TC121018	1,499.00																																																																																																
TC080510	TC161217																																																																																																									
TC080512	TC161415																																																																																																									
TC080612																																																																																																										
23	953-4086RP	TC050314	1,019.00	25	953-4088RP	TC060412	1,324.00																																																																																																			
		TC060410				TC080510																																																																																																				
		TC060416				TC080512																																																																																																				
24	953-4087RP	TC050314	1,324.00	TC080515	1,756.00																																																																																																					
		TC060416		TC080520																																																																																																						
25	953-4088RP	TC060412	1,324.00	TC080612	2,409.00																																																																																																					
		TC080510																																																																																																								
		TC080512																																																																																																								
		TC080515																																																																																																								
		TC080520																																																																																																								
		TC080614																																																																																																								
26	953-4089RP	TC060416	1,756.00	28	953-4091RP	TC080515	1,609.00																																																																																																			
27	953-4090RP	TC060416	2,409.00			TC080520																																																																																																				
						TC080614																																																																																																				



TACO INC., 1160 Cranston Street, Cranston, RI 02920 Telephone: (401) 942-8000 Fax: (401) 942-2360  
 TACO (Canada), Ltd., 8450 Lawson Road, Milton, Ontario L9T 0J8 Telephone: (905) 564-9422 Fax: (905) 564-9436  
 Visit our website at: [www.taco-hvac.com](http://www.taco-hvac.com). Printed in USA. Copyright 2007, TACO, Inc.

# TC PUMPS

**Effective Date:** February 04, 2013

303-175

PAGE 12 of 15

I.D. NO.	ITEM #16 MECHANICAL SEAL TYPE 8B1 BALANCED PART NUMBER	PUMP MODEL	LIST PRICE (\$)
1	955-1844RP	TC050308	1,527.00
		TC050310	
		TC050314	
		TC060410	
		TC060416	
2	955-1845RP	TC060412	1,826.00
		TC080510	
		TC080512	
		TC080515	
		TC080520	
		TC080612	
		TC080614	
3	955-1846RP	TC080618	1,974.00
		TC080622	
		TC100813	
		TC100816	
4	955-1847RP	TC100821	2,351.00
		TC121014	
		TC141213	
5	955-1848RP	TC121018	3,290.00
		TC161217	
		TC161415	

I.D. NO.	ITEM #14 SEAL COVER PART NUMBER	PUMP MODEL	LIST PRICE (\$)
1	955-1713RP	TC050308	62.90
		TC050310	
		TC050314	
		TC060410	
2	955-1714RP	TC060412	85.55
		TC060416	
		TC080510	
		TC080512	
		TC080515	
		TC080520	
		TC080612	
		TC080614	

I.D. NO.	ITEM #14 SEAL COVER PART NUMBER	PUMP MODEL	LIST PRICE (\$)
3	955-1715RP	TC080618	112.00
		TC080622	
		TC100813	
		TC100816	
4	955-1716RP	TC100821	189.00
		TC121014	
		TC141213	
5	955-1717RP	TC121018	393.50
		TC161217	
		TC161415	

I.D. NO.	ITEM #17 SEAL BUSHING PART NUMBER	PUMP MODEL	LIST PRICE (\$)
1	955-1718RP	TC050308	20.20
		TC050310	
		TC050314	
		TC060410	
		TC060416	
2	955-1719RP	TC060412	40.25
		TC080510	
		TC080512	
		TC080515	
		TC080520	
		TC080612	
		TC080614	
3	955-1720RP	TC080618	66.65
		TC080622	
		TC100813	
		TC100816	
4	955-1721RP	TC100821	83.05
		TC121014	
		TC141213	
5	955-1722RP	TC121018	189.00
		TC161217	
		TC161415	



TACO INC., 1160 Cranston Street, Cranston, RI 02920 Telephone: (401) 942-8000 Fax: (401) 942-2360  
 TACO (Canada), Ltd., 8450 Lawson Road, Milton, Ontario L9T 0J8 Telephone: (905) 564-9422 Fax: (905) 564-9436  
 Visit our website at: www.taco-hvac.com. Printed in USA. Copyright 2007, TACO, Inc.

# TC PUMPS

**Effective Date:** February 04, 2013

303-175

PAGE 13 of 15

I.D. NO.	ITEM #22 DE BEARINGS PART NUMBER	PUMP MODEL	LIST PRICE (\$)
1	955-1765RP	TC050308	39.00
		TC050310	
		TC050314	
		TC060410	
		TC060416	
2	955-1766RP	TC060412	56.65
		TC080510	
		TC080512	
		TC080515	
		TC080520	
		TC080612	
		TC080614	
3	955-1767RP	TC080618	86.80
		TC080622	
		TC100813	
		TC100816	
4	955-1068RP	TC100821	192.50
		TC121014	
		TC141213	
5	955-1081RP	TC121018	250.50
		TC161217	
		TC161415	

I.D. NO.	ITEM #25 NDE BEARINGS PART NUMBER	PUMP MODEL	LIST PRICE (\$)
1	955-1765RP	TC050308	39.00
		TC050310	
		TC050314	
		TC060410	
		TC060416	
2	955-1766RP	TC060412	56.65
		TC080510	
		TC080512	
		TC080515	
		TC080520	
		TC080612	
		TC080614	
3	955-1767RP	TC080618	86.80
		TC080622	
		TC100813	
		TC100816	
4	955-1068RP	TC100821	192.50
		TC121014	
		TC141213	
5	955-1081RP	TC121018	250.50
		TC161217	
		TC161415	



TACO INC., 1160 Cranston Street, Cranston, RI 02920 Telephone: (401) 942-8000 Fax: (401) 942-2360  
 TACO (Canada), Ltd., 8450 Lawson Road, Milton, Ontario L9T 0J8 Telephone: (905) 564-9422 Fax: (905) 564-9436  
 Visit our website at: [www.taco-hvac.com](http://www.taco-hvac.com). Printed in USA. Copyright 2007, TACO, Inc.



# TC PUMPS

**Effective Date:** February 04, 2013

303-175

PAGE 14 of 15

I.D. NO.	ITEM #24 BEARING HOUSING PART NUMBER	PUMP MODEL	LIST PRICE (\$)
1	955-1733RP	TC050308	264.00
		TC050310	
		TC050314	
		TC060410	
2	955-1734RP	TC060412	628.00
		TC080510	
		TC080512	
		TC080515	
		TC080520	
		TC080612	
3	955-1735RP	TC080614	760.00
		TC080618	
		TC080622	
		TC100813	
4	955-1736RP	TC100816	1,191.00
		TC100821	
		TC121014	
5	955-1737RP	TC141213	1,546.00
		TC121018	
		TC161217	
		TC161415	

I.D. NO.	ITEM #28 BEARING COVER B PART NUMBER	PUMP MODEL	LIST PRICE (\$)
1	955-1738RP	TC050308	85.55
		TC050310	
		TC050314	
		TC060410	
		TC060416	

I.D. NO.	ITEM #28 BEARING COVER B PART NUMBER (continued)	PUMP MODEL	LIST PRICE (\$)
2	955-1739RP	TC060412	132.00
		TC080510	
		TC080512	
		TC080515	
		TC080520	
		TC080612	
3	955-1740RP	TC080614	179.00
		TC080618	
		TC080622	
		TC100813	
4	955-1741RP	TC100816	237.50
		TC100821	
		TC121014	
5	955-1742RP	TC141213	272.00
		TC121018	
		TC161217	
		TC161415	

I.D. NO.	ITEM #19 BEARING COVER A PART NUMBER	PUMP MODEL	LIST PRICE (\$)
1	955-1743RP	TC050308	85.55
		TC050310	
		TC050314	
		TC060410	
2	955-1744RP	TC060416	132.00
		TC060412	
		TC080510	
		TC080512	
		TC080515	
		TC080520	
		TC080612	
3	955-1745RP	TC080614	179.00
		TC080618	
		TC080622	
		TC100813	
4	955-1746RP	TC100816	237.50
		TC100821	
		TC121014	
5	955-1747RP	TC141213	272.00
		TC121018	
		TC161217	
		TC161415	



TACO INC., 1160 Cranston Street, Cranston, RI 02920 Telephone: (401) 942-8000 Fax: (401) 942-2360  
 TACO (Canada), Ltd., 8450 Lawson Road, Milton, Ontario L9T 0J8 Telephone: (905) 564-9422 Fax: (905) 564-9436  
 Visit our website at: [www.taco-hvac.com](http://www.taco-hvac.com). Printed in USA. Copyright 2007, TACO, Inc.

# TC PUMPS

**Effective Date:** February 04, 2013

303-175

PAGE 15 of 15

I.D. NO.	ITEM #23 BEARING SEAL PART NUMBER	PUMP MODEL	LIST PRICE (\$)
1	955-1768RP	TC050308	37.75
		TC050310	
		TC050314	
		TC060410	
		TC060416	
2	955-1769RP	TC060412	37.75
		TC080510	
		TC080512	
		TC080515	
		TC080520	
		TC080612	
3	955-1770RP	TC080614	44.05
		TC080618	
		TC080622	
		TC100813	
4	955-1771RP	TC100816	44.05
		TC100821	
		TC121014	
5	955-1772RP	TC141213	44.05
		TC121018	
		TC161217	
		TC161415	

I.D. NO.	ITEM #18 BEARING COVER SEAL PART NUMBER (continued)	PUMP MODEL	LIST PRICE (\$)
4	955-1776RP	TC100821	44.05
		TC121014	
		TC141213	
5	955-1777RP	TC121018	44.05
		TC161217	
		TC161415	

I.D. NO.	ITEM #18 BEARING COVER SEAL PART NUMBER	PUMP MODEL	LIST PRICE (\$)
1	955-1773RP	TC050308	37.75
		TC050310	
		TC050314	
		TC060410	
		TC060416	
2	955-1774RP	TC060412	37.75
		TC080510	
		TC080512	
		TC080515	
		TC080520	
		TC080612	
3	955-1775RP	TC080614	44.05
		TC080618	
		TC080622	
		TC100813	
		TC100816	

I.D. NO.	ITEM #48 COUPLING GUARD PART NUMBER	PUMP MODEL	LIST PRICE (\$)
1	955-1725RP	TC050308	81.75
2	955-1726RP	TC050310	134.50
		TC050314	
3	955-1727RP	TC060410	
4	955-1728RP	TC060412	143.50
		TC060416	
		TC080510	
		TC080512	
		TC080520	
7	955-1729RP	TC080612	
		TC080515	
8	955-1730RP	TC080614	211.50
		TC080618	
		TC080622	
		TC100813	
9	955-1731	TC100816	230.00
		TC100821	
		TC121014	
10	955-1732	TC141213	
		TC121018	
		TC161217	
		TC161415	



TACO INC., 1160 Cranston Street, Cranston, RI 02920 Telephone: (401) 942-8000 Fax: (401) 942-2360  
 TACO (Canada), Ltd., 8450 Lawson Road, Milton, Ontario L9T 0J8 Telephone: (905) 564-9422 Fax: (905) 564-9436  
 Visit our website at: www.taco-hvac.com. Printed in USA. Copyright 2007, TACO, Inc.



**Suggested List Prices**

**LOFlo Mixing Block**

Supersede Date: February 04, 2013

**Effective Date: February 02, 2015**

Injection Circulator (Variable Speed)	Zone Circulator (Variable Speed)	LOFlo Part Number	List Price (\$)
L0410D	L0410V	LMB0410D-0410V-Y	1,234.00
	L0609V	LMB0410D-0609V-Y	1,243.00
	L0710V	LMB0410D-0710V-Y	1,277.00
	L0515V	LMB0410D-0515V-Y	1,288.00
	L1111V	LMB0410D-1111V-Y	1,443.00
	L0435V	LMB0410D-0435V-Y	1,410.00
	L1121V	LMB0410D-1121V-Y	1,234.00
	L1130V	LMB0410D-1130V-Y	1,443.00
L0609D	L1034V	LMB0410D-1034V-Y	1,500.00
	L0609V	LMB0609D-0609V-Y	1,252.00
	L0710V	LMB0609D-0710V-Y	1,286.00
	L0515V	LMB0609D-0515V-Y	1,296.00
	L1111V	LMB0609D-1111V-Y	1,451.00
	L0435V	LMB0609D-0435V-Y	1,418.00
	L1121V	LMB0609D-1121V-Y	1,483.00
	L1130V	LMB0609D-1130V-Y	1,451.00
L0710D	L1034V	LMB0609D-1034V-Y	1,508.00
	L0710V	LMB0710D-0710V-Y	1,319.00
	L0515V	LMB0710D-0515V-Y	1,331.00
	L1111V	LMB0710D-1111V-Y	1,485.00
	L0435V	LMB0710D-0435V-Y	1,452.00
	L1121V	LMB0710D-1121V-Y	1,518.00
	L1130V	LMB0710D-1130V-Y	1,485.00
L0515D	L1034V	LMB0710D-1034V-Y	1,543.00
	L0515V	LMB0515D-0515V-Y	1,340.00
	L1111V	LMB0515D-1111V-Y	1,496.00
	L0435V	LMB0515D-0435V-Y	1,463.00
	L1121V	LMB0515D-1121V-Y	1,527.00
	L1130V	LMB0515D-1130V-Y	1,496.00
	L1034I	LMB0515D-1034V-Y	1,552.00

All Circulators 115/60/1

For all LoadMatch List Price Adders, please reference Price Sheet 303-166 Water Circulation - "LoadMatch Circulators and Twin-Tee".

# LOFlo Mixing Block

Effective Date: February 02, 2015

303-177

PAGE 2 of 2

Injection Circulator (Variable Speed)	Zone Circulator (Variable Speed)	LOFlo Part Number	List Price (\$)
L1111D	L1111V	LMB1111D-1111V-Y	1,651.00
	L0435V	LMB1111D-0435V-Y	1,617.00
	L1121V	LMB1111D-1121V-Y	1,683.00
	L1130V	LMB1111D-1130V-Y	1,651.00
	L1034V	LMB1111D-1034V-Y	1,708.00
L0435D	L0435V	LMB0435D-0435V-Y	1,584.00
	L1121V	LMB0435D-1121V-Y	1,650.00
	L1130V	LMB0435D-1130V-Y	1,617.00
	L1034V	LMB0435D-1034V-Y	1,675.00
L1121D	L1121V	LMB1121D-1121V-Y	1,715.00
	L1130V	LMB1121D-1130V-Y	1,683.00
	L1034V	LMB1121D-1034V-Y	1,740.00
L1130D	L1130V	LMB1130D-1130V-Y	1,651.00
	L1034V	LMB1130D-1034V-Y	1,708.00
L1034D	L1034V	LMB1034D-1034V-Y	1,764.00

All Circulators 115/60/1

For all LoadMatch List Price Adders, please reference Price Sheet 303-166 Water Circulation - "LoadMatch Circulators and Twin-Tee".

**Do it Once. Do it Right.™**

TACO INC., 1160 Cranston Street, Cranston, RI 02920 Telephone: (401) 942-8000 Fax: (401) 942-2360  
TACO (Canada), Ltd., 8450 Lawson Road, Milton, Ontario L9T 0J8 Telephone: (905) 564-9422 Fax: (905) 564-9436  
Visit our website at: [www.taco-hvac.com](http://www.taco-hvac.com)

Printed in USA

Copyright 2007

TACO, Inc.



## Suggested List Prices

303-179  
Page 1 of 5

# Advantage Variable Speed Drives (OPEN Drives)

Supersedes: August 25, 2010

Updated: February 5, 2013

Effective: February 04, 2013

### Advantage 212, 200-240V, 3 PHASE

### CORRESPONDING NEMA1 Conduit Kit

MODEL NUMBER	HP	DESCRIPTION	PRICE (\$)	MODEL NUMBER	CONDUIT KIT PRICE (\$)
ATV212H075M3XM	1.0	VFD, 1 HP, 200-240V, 3PH	503.00	VW3A31814M	See Page 4
ATV212HU15M3XM	2.0	VFD, 2 HP, 200-240V, 3PH	623.00		
ATV212HU22M3XM	3.0	VFD, 3 HP, 200-240V, 3PH	683.00		
ATV212HU30M3XM	4.0	VFD, 4 HP, 200-240V, 3PH	816.00	VW3A31815M	See Page 4
ATV212HU40M3XM	5.0	VFD, 5 HP, 200-240V, 3PH	909.00		
ATV212HU55M3XM	7.5	VFD, 7.5 HP, 200-240V, 3PH	1,243.00	VW3A31816M	See Page 4
ATV212HU75M3XM	10.0	VFD, 10 HP, 200-240V, 3PH	1,500.00		
ATV212HD11M3XM	15.0	VFD, 15 HP, 200-240V, 3PH	1,996.00	VW3A31817M	See Page 4
ATV212HD15M3XM	20.0	VFD, 20 HP, 200-240V, 3PH	2,326.00		
ATV212HD18M3XM	25.0	VFD, 25 HP, 200-240V, 3PH	2,333.00		
ATV212HD22M3XM	30.0	VFD, 30 HP, 200-240V, 3PH	4,300.00	VW3A9206M	See Page 4
ATV212HD30M3XM	40.0	VFD, 40 HP, 200-240V, 3PH	5,730.00		

### Advantage 212, 380-480V, 3 PHASE

### CORRESPONDING NEMA1 Conduit Kit

MODEL NUMBER	HP	DESCRIPTION	PRICE (\$)	MODEL NUMBER	CONDUIT KIT PRICE (\$)
ATV212H075N4M	1.0	VFD, 1 HP, 380-480V, 3PH	651.00	VW3A31814M	See Page 4
ATV212HU15N4M	2.0	VFD, 2 HP, 380-480V, 3PH	734.00		
ATV212HU22N4M	3.0	VFD, 3 HP, 380-480V, 3PH	802.00		
ATV212HU30N4M	4.0	VFD, 4HP, 380-480V, 3PH	909.00	VW3A31815M	See Page 4
ATV212HU40N4M	5.0	VFD, 5 HP, 380-480V, 3PH	962.00		
ATV212HU55N4M	7.5	VFD, 7.5 HP, 380-480V, 3PH	1,174.00	VW3A31816M	See Page 4
ATV212HU75N4M	10.0	VFD, 10 HP, 380-480V, 3PH	1,357.00		
ATV212HD11N4M	15.0	VFD, 15 HP, 380-480V, 3PH	1,739.00	VW3A31817M	See Page 4
ATV212HD15N4M	20.0	VFD, 20 HP, 380-480V, 3PH	2,112.00		
ATV212HD18N4M	25.0	VFD, 25 HP, 380-480V, 3PH	2,810.00		
ATV212HD22N4M	30.0	VFD, 30 HP, 380-480V, 3PH	3,610.00	VW3A9206M	See Page 4
ATV212HD30N4M	40.0	VFD, 40 HP, 380-480V, 3PH	4,050.00		
ATV212HD37N4M	50.0	VFD, 50 HP, 380-480V, 3PH	5,010.00	VW3A9207M	See Page 4
ATV212HD45N4M	60.0	VFD, 60 HP, 380-480V, 3PH	5,570.00		
ATV212HD55N4M	75.0	VFD, 75 HP, 380-480V, 3PH	6,360.00	VW3A9208M	See Page 4
ATV212HD75N4M	100.0	VFD, 100 HP, 380-480V, 3PH	6,720.00		

**Do it Once. Do it Right.™**

TACO INC., 1160 Cranston Street, Cranston, RI 02920 Telephone: (401) 942-8000 Fax: (401) 942-2360  
TACO (Canada), Ltd., 8450 Lawson Road, Milton, Ontario L9T 0J8 Telephone: (905) 564-9422 Fax: (905) 564-9436  
Visit our website at: [www.taco-hvac.com](http://www.taco-hvac.com)

Printed in USA

Copyright 2007

TACO, Inc.

Advantage 212, 380-480V, 3 PHASE, NEMA TYPE12/IP54

MODEL NUMBER	HP	DESCRIPTION	PRICE (\$)
ATV212W075N4M	1.0	VFD, 1 HP, 380-480V, 3PH, TYPE12/IP54	972.00
ATV212WU15N4M	2.0	VFD, 2 HP, 380-480V, 3PH, TYPE12/IP54	1,148.00
ATV212WU22N4M	3.0	VFD, 3 HP, 380-480V, 3PH, TYPE12/IP54	1,325.00
ATV212WU30N4M	4.0	VFD, 4 HP, 380-480V, 3PH, TYPE12/IP54	1,501.00
ATV212WU40N4M	5.0	VFD, 5 HP, 380-480V, 3PH, TYPE12/IP54	1,589.00
ATV212WU55N4M	7.5	VFD, 7.5 HP, 380-480V, 3PH, TYPE12/IP54	1,942.00
ATV212WU75N4M	10.0	VFD, 10 HP, 380-480V, 3PH, TYPE12/IP54	2,300.00
ATV212WD11N4M	15.0	VFD, 15 HP, 380-480V, 3PH, TYPE12/IP54	2,930.00
ATV212WD15N4M	20.0	VFD, 20 HP, 380-480V, 3PH, TYPE12/IP54	3,610.00
ATV212WD18N4M	25.0	VFD, 25 HP, 380-480V, 3PH, TYPE12/IP54	4,150.00
ATV212WD22N4M	30.0	VFD, 30 HP, 380-480V, 3PH, TYPE12/IP54	4,740.00
ATV212WD30N4M	40.0	VFD, 40 HP, 380-480V, 3PH, TYPE12/IP54	5,540.00
ATV212WD37N4M	50.0	VFD, 50 HP, 380-480V, 3PH, TYPE12/IP54	6,530.00
ATV212WD45N4M	60.0	VFD, 60 HP, 380-480V, 3PH, TYPE12/IP54	8,200.00
ATV212WD55N4M	75.0	VFD, 75 HP, 380-480V, 3PH, TYPE12/IP54	9,440.00
ATV212WD75N4M	100.0	VFD, 100 HP, 380-480V, 3PH, TYPE12/IP54	10,770.00

Advantage 61, 200-240V, 3 PHASE

CORRESPONDING NEMA1 Conduit Kit

MODEL NUMBER	HP	DESCRIPTION	PRICE (\$)	MODEL NUMBER	CONDUIT KIT PRICE (\$)
ATV61H075M3M	1.0	VFD, 1 HP, 200-240V, 3PH	1,168.00	VW3A9201M	See Page 4
ATV61HU15M3M	2.0	VFD, 2 HP, 200-240V, 3PH	1,212.00		
ATV61HU22M3M	3.0	VFD, 3 HP, 200-240V, 3PH	1,396.00	VW3A9202M	See Page 4
ATV61HU30M3M	4.0	VFD, 4 HP, 200-240V, 3PH	1,690.00		
ATV61HU40M3M	5.0	VFD, 5 HP, 200-240V, 3PH	1,892.00		
ATV61HU55M3M	7.5	VFD, 7.5 HP, 200-240V, 3PH	2,361.00	VW3A9203M	See Page 4
ATV61HU75M3M	10.0	VFD, 10 HP, 200-240V, 3PH	2,620.00	VW3A9204M	See Page 4
ATV61HD11M3XM	15.0	VFD, 15 HP, 200-240V, 3PH	3,100.00	VW3A9205M	See Page 4
ATV61HD15M3XM	20.0	VFD, 20 HP, 200-240V, 3PH	4,620.00		
ATV61HD18M3XM	25.0	VFD, 25 HP, 200-240V, 3PH	5,380.00	VW3A9206M	See Page 4
ATV61HD22M3XM	30.0	VFD, 30 HP, 200-240V, 3PH	6,100.00		
ATV61HD30M3XM	40.0	VFD, 40 HP, 200-240V, 3PH	8,010.00	VW3A9217M	See Page 4
ATV61HD37M3XM	50.0	VFD, 50 HP, 200-240V, 3PH	8,600.00		
ATV61HD45M3XM	60.0	VFD, 60 HP, 200-240V, 3PH	11,550.00		
ATV61HD55M3XM	75.0	VFD, 75 HP, 200-240V, 3PH	14,260.00	VW3A9209M	See Page 4
ATV61HD75M3XM	100.0	VFD, 100 HP, 200-240V,3PH	15,340.00		
ATV61HD90M3XM	125.0	VFD, 125 HP, 200-240V,3PH	17,920.00	VW3A9210M	See Page 4

**Do it Once. Do it Right.™**

TACO INC., 1160 Cranston Street, Cranston, RI 02920 Telephone: (401) 942-8000 Fax: (401) 942-2360  
 TACO (Canada), Ltd., 8450 Lawson Road, Milton, Ontario L9T 0J8 Telephone: (905) 564-9422 Fax: (905) 564-9436  
 Visit our website at: [www.taco-hvac.com](http://www.taco-hvac.com)

Printed in USA

Copyright 2007

TACO, Inc.

Advantage 61, 380-480V, 3 PHASE

CORRESPONDING NEMA1 Conduit Kit

MODEL NUMBER	HP	DESCRIPTION	PRICE (\$)	MODEL NUMBER	CONDUIT KIT PRICE (\$)
ATV61H075N4M	1.0	VFD, 1 HP, 380-480V, 3PH	1,377.00	VW3A9201M	See Page 4
ATV61HU15N4M	2.0	VFD, 2 HP, 380-480V, 3PH	1,489.00		
ATV61HU22N4M	3.0	VFD, 3 HP, 380-480V, 3PH	1,825.00		
ATV61HU40N4M	5.0	VFD, 5 HP, 380-480V, 3PH	1,987.00	VW3A9202M	See Page 4
ATV61HU55N4M	7.5	VFD, 7.5 HP, 380-480V, 3PH	2,003.00	VW3A9203M	See Page 4
ATV61HU75N4M	10.0	VFD, 10 HP, 380-480V, 3PH	1,969.00		
ATV61HD11N4M	15.0	VFD, 15 HP, 380-480V, 3PH	2,459.00	VW3A9204M	See Page 4
ATV61HD15N4M	20.0	VFD, 20 HP, 380-480V, 3PH	3,170.00	VW3A9205M	See Page 4
ATV61HD18N4M	25.0	VFD, 25 HP, 380-480V, 3PH	3,930.00		
ATV61HD22N4M	30.0	VFD, 30 HP, 380-480V, 3PH	4,520.00	VW3A9206M	See Page 4
ATV61HD30N4M	40.0	VFD, 40 HP, 380-480V, 3PH	5,260.00	VW3A9207M	See Page 4
ATV61HD37N4M	50.0	VFD, 50 HP, 380-480V, 3PH	6,700.00		
ATV61HD45N4M	60.0	VFD, 60 HP, 380-480V, 3PH	8,040.00	VW3A9208M	See Page 4
ATV61HD55N4M	75.0	VFD, 75 HP, 380-480V, 3PH	9,030.00		
ATV61HD75N4M	100.0	VFD, 100 HP, 380-480V, 3PH	10,490.00		
ATV61HD90N4M	125.0	VFD, 125 HP, 380-480V, 3PH	11,950.00	VW3A9209M	See Page 4
ATV61HC11N4M	150.0	VFD, 150 HP, 380-480V, 3PH	13,840.00		
ATV61HC13N4M	200.0	VFD, 200 HP, 380-480V, 3PH	15,800.00	VW3A9210M	See Page 4
ATV61HC16N4M	250.0	VFD, 250 HP, 380-480V, 3PH	17,070.00	VW3A9211M	See Page 4

Advantage 61, 380-480V, 3 PHASE, NEMA TYPE12/IP54

MODEL NUMBER	HP	DESCRIPTION	PRICE (\$)
ATV61W075N4UM	1.0	VFD, 1 HP, 380-480V, 3PH, TYPE12/IP54	2,240.00
ATV61WU15N4UM	2.0	VFD, 2 HP, 380-480V, 3PH, TYPE12/IP54	2,242.00
ATV61WU22N4UM	3.0	VFD, 3 HP, 380-480V, 3PH, TYPE12/IP54	2,313.00
ATV61WU40N4UM	5.0	VFD, 5 HP, 380-480V, 3PH, TYPE12/IP54	2,499.00
ATV61WU55N4UM	7.5	VFD, 7.5 HP, 380-480V, 3PH, TYPE12/IP54	2,499.00
ATV61WU75N4UM	10.0	VFD, 10 HP, 380-480V, 3PH, TYPE12/IP54	2,860.00
ATV61WD11N4UM	15.0	VFD, 15 HP, 380-480V, 3PH, TYPE12/IP54	2,930.00
ATV61WD15N4UM	20.0	VFD, 20 HP, 380-480V, 3PH, TYPE12/IP54	3,530.00
ATV61WD18N4UM	25.0	VFD, 25 HP, 380-480V, 3PH, TYPE12/IP54	4,420.00
ATV61WD22N4UM	30.0	VFD, 30 HP, 380-480V, 3PH, TYPE12/IP54	5,340.00
ATV61WD30N4UM	40.0	VFD, 40 HP, 380-480V, 3PH, TYPE12/IP54	6,440.00
ATV61WD37N4UM	50.0	VFD, 50 HP, 380-480V, 3PH, TYPE12/IP54	7,910.00
ATV61WD45N4UM	60.0	VFD, 60 HP, 380-480V, 3PH, TYPE12/IP54	9,270.00
ATV61WD55N4UM	75.0	VFD, 75 HP, 380-480V, 3PH, TYPE12/IP54	10,240.00
ATV61WD75N4UM	100.0	VFD, 100 HP, 380-480V, 3PH, TYPE12/IP54	12,360.00
ATV61WD90N4UM	125.0	VFD, 125 HP, 380-480V, 3PH, TYPE12/IP54	13,030.00

**Do it Once. Do it Right.™**

TACO INC., 1160 Cranston Street, Cranston, RI 02920 Telephone: (401) 942-8000 Fax: (401) 942-2360  
 TACO (Canada), Ltd., 8450 Lawson Road, Milton, Ontario L9T 0J8 Telephone: (905) 564-9422 Fax: (905) 564-9436  
 Visit our website at: [www.taco-hvac.com](http://www.taco-hvac.com)

Printed in USA

Copyright 2007

TACO, Inc.

### Advantage 12, SINGLE PHASE INPUT THREE PHASE OUTPUT

MODEL NUMBER	HP	DESCRIPTION	PRICE (\$)
ATV12H075F1M	1.0	VFD, 1 HP, 100-120V 1 PH IN, 230V 3PH OUT	359.00
ATV12H075M2M	1.0	VFD, 1 HP, 200-240V 1 PH IN, 230V 3PH OUT	359.00
ATV12HU15M2M	2.0	VFD, 2 HP, 200-240V 1 PH IN, 230V 3PH OUT	453.50
ATV12HU22M2M	3.0	VFD, 3 HP, 200-240V 1 PH IN, 230V 3PH OUT	544.00

### Advantage 312, 600V, 3 PHASE

### CORRESPONDING NEMA1 Conduit Kit

MODEL NUMBER	HP	DESCRIPTION	PRICE (\$)	MODEL NUMBER	CONDUIT KIT PRICE (\$)
ATV312H075S6M	1.0	VFD, 1 HP, 600V, 3PH	586.00	VW3A31814M	See Below
ATV312HU15S6M	2.0	VFD, 2 HP, 600V, 3PH	692.00		
ATV312HU22S6M	4.0	VFD, 4 HP, 600V, 3PH	798.00	VW3A31815M	See Below
ATV312HU40S6M	5.0	VFD, 5 HP, 600V, 3PH	987.00		
ATV312HU55S6M	7.5	VFD, 7.5 HP, 600V, 3PH	1,214.00	VW3A31816M	See Below
ATV312HU75S6M	10.0	VFD, 10 HP, 600V, 3PH	1,474.00		
ATV312HD11S6M	15.0	VFD, 15 HP, 600V, 3PH	1,858.00	VW3A31817M	See Below
ATV312HD15S6M	20.0	VFD, 20 HP, 600V, 3PH	2,345.00		

### NEMA1 CONDUIT KIT - Advantage 212/312

MODEL NUMBER	DESCRIPTION	PRICE (\$)
VW3A31814M	CONDUIT KIT, ATV212/312, SIZE 6 NEMA UL TYPE 1	79.50
VW3A31815M	CONDUIT KIT, ATV212/312, SIZE 7 NEMA UL TYPE 1	79.50
VW3A31816M	CONDUIT KIT, ATV212/312, SIZE 8 NEMA UL TYPE 1	79.50
VW3A31817M	CONDUIT KIT, ATV212/312, SIZE 9 NEMA UL TYPE 1	79.50

### NEMA1 CONDUIT KIT - Advantage 61/212

MODEL NUMBER	DESCRIPTION	PRICE (\$)
VW3A9201M	CONDUIT KIT, ATV61, H075M3, HU15M3, H075N4, HU22N4	97.45
VW3A9202M	CONDUIT KIT, ATV61, HU22M3, HU40M3, HU30N4, HU40N4	97.45
VW3A9203M	CONDUIT KIT, ATV61, HU55M3, HU55N4, HU75N4	97.45
VW3A9204M	CONDUIT KIT, ATV61, HU75M3, HD11N4	97.45
VW3A9205M	CONDUIT KIT, ATV61, HD11M3, HD15M3, HD15N4, HD18N4	97.45
VW3A9206M	CONDUIT KIT, ATV61/212, HD18M3, HD22M3, HD22N4	102.00
VW3A9207M	CONDUIT KIT, ATV61/212, HD30N4, HD37N4	102.00
VW3A9208M	CONDUIT KIT, ATV61/212, HD45N4, HD75N4	211.50
VW3A9209M	CONDUIT KIT, ATV61, HD55M3, HD90N4	724.00
VW3A9210M	CONDUIT KIT, ATV61, HD75M3, HC11N4	868.00
VW3A9211M	CONDUIT KIT, ATV61, HC13N4	901.00
VW3A9217M	CONDUIT KIT, ATV61, HD30M3 - D45M3	140.00

**Do it Once. Do it Right.™**

TACO INC., 1160 Cranston Street, Cranston, RI 02920 Telephone: (401) 942-8000 Fax: (401) 942-2360  
 TACO (Canada), Ltd., 8450 Lawson Road, Milton, Ontario L9T 0J8 Telephone: (905) 564-9422 Fax: (905) 564-9436  
 Visit our website at: [www.taco-hvac.com](http://www.taco-hvac.com)

Printed in USA

Copyright 2007

TACO, Inc.



OPTION CARDS - Advantage 212

MODEL NUMBER	DESCRIPTION	PRICE (\$)
▶ VW3A21212	LonWorks Option Card For ATV212 Speeddrive	751.00

**ADVANTAGE 212 ACCESSORIES**

MODEL NUMBER	DESCRIPTION	PRICE (\$)
VW3A8121	Multi-Loader, Hand-Held Configuration Downloader	1,425.00
VW3A8106	PC Cable for Test & Commissioning software includes 3 meter cables (9.8 ft) RS-485/RS-232C adapter & connectors	235.50
TCSMCNAM3M002P	USB to RJ45 Adapter Kit for use in connecting to a PC w/USB Port	102.00
ATVPOT25K	Potentionmeter	135.50
VW3A1101	LCD Graphic Keypad IP54 Rating	226.00
VW3A1102	Remote Mounting Kit for LCD Keypad	108.00
VW3A1103	Door Used w/Remote Mount Kit for IP65 Rating	88.05
VW3A1104R10	1m-Remote LCD Keypad cables w/2 RJ45 Connectors	68.95
VW3A1104R100	10m-Remote LCD Keypad cables w/2 RJ45 Connectors	88.05
VW3A1104R30	3m-Remote LCD Keypad cables w/2 RJ45 Connectors	68.95
VW3A1104R50	5m-Remote LCD Keypad cables w/2 RJ45 Connectors	68.95
VW3A1105	Female/Female Right angle RJ45 Adaptor	68.95
VW3A8114	Blue Tooth Gateway/RS485 Adapter	166.50

▶ Indicates price correction

OPTION CARDS - Advantage 61

MODEL NUMBER	DESCRIPTION	PRICE (\$)
VW3A3302M	OPTION CARD, ATV61, MODBUS PLUS	864.00
VW3A3303M	OPTION CARD, ATV61, MODBUS UNITEL	353.50
VW3A3304M	OPTION CARD, ATV61, INTERBUS S	864.00
VW3A3307M	OPTION CARD, ATV61, PROFIBUS DP	864.00
VW3A3309M	OPTION CARD, ATV61, DEVICE NET	353.50
VW3A3310DM	OPTION CARD, ATV61, MODBUS TCP/IP DAISY CHAIN	432.00
VW3A3311M	OPTION CARD, ATV61, FIPIO	864.00
VW3A3312M	OPTION CARD, ATV61, LONWORKS	864.00
VW3A3313M	OPTION CARD, ATV61, METASYS N2	353.50
VW3A3314M	OPTION CARD, ATV61, APOGEE LFN P1	353.50
VW3A3319M	OPTION CARD, ATV61, BACnet	353.50
VW3A3316M	OPTION CARD, ATV61, EtherNet IP	432.00

**Do it Once. Do it Right.™**

TACO INC., 1160 Cranston Street, Cranston, RI 02920 Telephone: (401) 942-8000 Fax: (401) 942-2360  
 TACO (Canada), Ltd., 8450 Lawson Road, Milton, Ontario L9T 0J8 Telephone: (905) 564-9422 Fax: (905) 564-9436  
 Visit our website at: [www.taco-hvac.com](http://www.taco-hvac.com)

Printed in USA

Copyright 2007

TACO, Inc.



**Suggested List Prices**

303-180  
Page 1 of 14

# Advantage Variable Speed Drives

## (ENCLOSED Drives)

**Supersedes: August 25, 2010**

**Updated: September 17, 2013**

**Effective: January 30, 2012**

**IMPORTANT NOTE REGARDING RETURNS AND LEAD TIMES:**

The following S-Flex drives carry a 2-week (or less) lead time and if necessary are returnable for 25% restock fee in new, unopened, unused condition...

- 208 and 460 volt S-Flex models (up to and including 40HP) with option combination Y and D (2 contactor bypass and LCD plain English text keypad)

- 460 volt S-Flex models (50HP to 100HP) with option combination Y and D (2 contactor bypass and LCD plain English text keypad)

All other S-Flex configurations have a 4 to 6 week lead time and ARE NOT RETURNABLE UNDER ANY CIRCUMSTANCES

► S-FLEX ENCLOSED DRIVES NO BYPASS, 208V WITH DISCONNECT - ENCLOSURE: NEMA 1

MODEL NUMBER No Options Less Bypass	HP	VOLTAGE/ PHASE	DESCRIPTION	LIST PRICE(\$)	List Adder (Y)	List Adder (D)	List Adder (B)	List Adder (S)	List Adder (A)
					Pwr Circ With Bypass**	LCD Keypad	Three Contactor Bypass**	Seismic Qualification	Line Isolation Switch
DSC2W00*	1.0	208/3	SFLEX212 208V 1 HP w/o LCD keypad	1,910.00	699.00	456.00	145.00	398.50	337.50
DSD2W00*	2.0	208/3	SFLEX212 208V 2 HP w/o LCD keypad	2,047.00	746.00	456.00	156.00	398.50	349.00
DSE2W00*	3.0	208/3	SFLEX212 208V 3 HP w/o LCD keypad	2,174.00	788.00	456.00	165.00	398.50	354.00
DSF2W00*	5.0	208/3	SFLEX212 208V 5 HP w/o LCD keypad	2,446.00	881.00	456.00	185.50	398.50	376.50
DSG2W00*	7.5	208/3	SFLEX212 208V 7.5 HP w/o LCD keypad	2,670.00	962.00	456.00	202.50	398.50	408.00
DSH2W00*	10.0	208/3	SFLEX212 208V 10 HP w/o LCD keypad	3,090.00	1,088.00	456.00	232.00	398.50	417.50
DSJ2W00*	15.0	208/3	SFLEX212 208V 15 HP w/o LCD keypad	3,810.00	1,317.00	456.00	237.50	398.50	491.50
DSK2W00*	20.0	208/3	SFLEX212 208V 20 HP w/o LCD keypad	4,360.00	1,532.00	456.00	272.50	398.50	569.00
DSL2W00*	25.0	208/3	SFLEX212 208V 25 HP w/o LCD keypad	5,300.00	1,872.00	456.00	332.50	398.50	696.00
DSM2W00*	30.0	208/3	SFLEX212 208V 30 HP w/o LCD keypad	6,460.00	2,273.00	456.00	454.50	398.50	864.00
DSN2W00*	40.0	208/3	SFLEX212 208V 40 HP w/o LCD keypad	8,950.00	2,036.00	456.00	694.00	398.50	835.00

► S-FLEX ENCLOSED DRIVES NO BYPASS, 230V WITH DISCONNECT - ENCLOSURE: NEMA 1

MODEL NUMBER No Options Less Bypass	HP	VOLTAGE/ PHASE	DESCRIPTION	LIST PRICE(\$)	List Adder (Y)	List Adder (D)	List Adder (B)	List Adder (S)	List Adder (A)
					Pwr Circ With Bypass**	LCD Keypad	Three Contactor Bypass**	Seismic Qualification	Line Isolation Switch
DSC3W00*	1.0	230/3	SFLEX212 230V 1 HP w/o LCD keypad	1,910.00	691.00	456.00	145.00	398.50	337.50
DSD3W00*	2.0	230/3	SFLEX212 230V 2 HP w/o LCD keypad	2,047.00	746.00	456.00	156.00	398.50	349.00
DSE3W00*	3.0	230/3	SFLEX212 230V 3 HP w/o LCD keypad	2,174.00	788.00	456.00	165.00	398.50	354.00
DSF3W00*	5.0	230/3	SFLEX212 230V 5 HP w/o LCD keypad	2,446.00	881.00	456.00	185.50	398.50	376.50
DSG3W00*	7.5	230/3	SFLEX212 230V 7.5 HP w/o LCD keypad	2,670.00	962.00	456.00	202.50	398.50	408.00
DSH3W00*	10.0	230/3	SFLEX212 230V 10 HP w/o LCD keypad	3,090.00	1,088.00	456.00	232.00	398.50	417.50

\* Model numbers will be generated on the BuyTaco Configurator. All drives should be ordered through BuyTaco.com.

\*\* Power Circuit with Bypass is 2-Contactor Bypass. For 3-Contactor Bypass, add both columns Y and B to List Price.

**Features:**

Advantage 212 Reduced Harmonic Technology (Equivalent to a 3% Line Reactor)

Circuit Breaker Disconnects: 100K interruption rating HOA - Hand, Off, and Auto

Enclosure: NEMA 1, Std Keypad

Std Field-configurable for BACnet MSTP, Metasys N2, Modbus and Apogee FLN P1.

**Options:**

Line Isolation Switch, Seismic Qualification, Two or Three contactor bypass, LCD Keypad, Lonworks communication card (sold separately)

► S-Flex Pricing modified..

**Do it Once. Do it Right.™**

TACO INC., 1160 Cranston Street, Cranston, RI 02920 Telephone: (401) 942-8000 Fax: (401) 942-2360  
TACO (Canada), Ltd., 8450 Lawson Road, Milton, Ontario L9T 0J8 Telephone: (905) 564-9422 Fax: (905) 564-9436

Printed in USA

Copyright 2007

TACO, Inc.

## Advantage Variable Speed Drives - (ENCLOSED Drives)

303-180  
Page 2 of 14

### S-FLEX ENCLOSED DRIVES NO BYPASS, 230V WITH DISCONNECT - ENCLOSURE: NEMA 1 (continued)

MODEL NUMBER No Options Less Bypass	HP	VOLTAGE/ PHASE	DESCRIPTION	LIST PRICE(\$)	List Adder (Y)	List Adder (D)	List Adder (B)	List Adder (S)	List Adder (A)
					Pwr Circ With Bypass**	LCD Keypad	Three Contactor Bypass**	Seismic Qualification	Line Isolation Switch
DSJ3W00*	15.0	230/3	SFLEX212 230V 15 HP w/o LCD keypad	3,810.00	1,317.00	456.00	237.50	398.50	491.50
DSK3W00*	20.0	230/3	SFLEX212 230V 20 HP w/o LCD keypad	4,360.00	1,532.00	456.00	272.50	398.50	569.00
DSL3W00*	25.0	230/3	SFLEX212 230V 25 HP w/o LCD keypad	5,300.00	1,872.00	456.00	332.50	398.50	696.00
DSM3W00*	30.0	230/3	SFLEX212 230V 30 HP w/o LCD keypad	6,460.00	2,273.00	456.00	454.50	398.50	864.00
DSN3W00*	40.0	230/3	SFLEX212 230V 40 HP w/o LCD keypad	8,950.00	2,036.00	456.00	694.00	398.50	835.00

### ► S-FLEX ENCLOSED DRIVES NO BYPASS, 460V WITH DISCONNECT - ENCLOSURE: NEMA 1

MODEL NUMBER No Options Less Bypass	HP	VOLTAGE/ PHASE	DESCRIPTION	LIST PRICE(\$)	List Adder (Y)	List Adder (D)	List Adder (B)	List Adder (S)	List Adder (A)
					Pwr Circ With Bypass**	LCD Keypad	Three Contactor Bypass**	Seismic Qualification	Line Isolation Switch
DSC4W00*	1.0	460/3	SFLEX212 460V 1 HP w/o LCD keypad	1,604.00	693.00	456.00	71.55	394.00	117.50
DSD4W00*	2.0	460/3	SFLEX212 460V 2 HP w/o LCD keypad	1,692.00	728.00	456.00	75.25	394.00	122.50
DSE4W00*	3.0	460/3	SFLEX212 460V 3 HP w/o LCD keypad	1,822.00	784.00	456.00	80.75	394.00	132.00
DSF4W00*	5.0	460/3	SFLEX212 460V 5 HP w/o LCD keypad	1,996.00	859.00	456.00	88.05	394.00	145.00
DSG4W00*	7.5	460/3	SFLEX212 460V 7.5 HP w/o LCD keypad	2,168.00	935.00	456.00	95.40	394.00	158.00
DSH4W00*	10.0	460/3	SFLEX212 460V 10 HP w/o LCD keypad	2,429.00	1,045.00	456.00	106.50	394.00	176.50
DSJ4W00*	15.0	460/3	SFLEX212 460V 15 HP w/o LCD keypad	2,960.00	1,129.00	456.00	126.50	394.00	246.00
DSK4W00*	20.0	460/3	SFLEX212 460V 20 HP w/o LCD keypad	3,750.00	1,219.00	456.00	284.50	394.00	367.00
DSL4W00*	25.0	460/3	SFLEX212 460V 25 HP w/o LCD keypad	4,480.00	1,522.00	456.00	334.00	394.00	441.50
DSM4W00*	30.0	460/3	SFLEX212 460V 30 HP w/o LCD keypad	5,530.00	1,346.00	456.00	282.50	394.00	379.50
DSN4W00*	40.0	460/3	SFLEX212 460V 40 HP w/o LCD keypad	6,650.00	1,363.00	456.00	328.00	394.00	442.50
DSP4W00*	50.0	460/3	SFLEX212 460V 50 HP w/o LCD keypad	8,340.00	1,471.00	458.50	403.50	394.00	543.00
DSQ4W00*	60.0	460/3	SFLEX212 460V 60 HP w/o LCD keypad	9,980.00	1,491.00	458.50	471.50	394.00	634.00
DSR4W00*	75.0	460/3	SFLEX212 460V 75 HP w/o LCD keypad	11,720.00	1,302.00	458.50	509.00	394.00	780.00
DSS4W00*	100.0	460/3	SFLEX212 460V 100 HP w/o LCD keypad	13,370.00	1,476.00	458.50	579.00	394.00	888.00

\* Model numbers will be generated on the BuyTaco Configurator. All drives should be ordered through BuyTaco.com.

\*\* Power Circuit with Bypass is 2-Contactor Bypass. For 3-Contactor Bypass, add both columns Y and B to List Price.

#### Features:

Advantage 212 Reduced Harmonic Technology (Equivalent to a 3% Line Reactor)  
Circuit Breaker Disconnects: 100K interruption rating HOA - Hand, Off, and Auto  
Enclosure: NEMA 1, Std Keypad

#### Options:

Line Isolation Switch, Seismic Qualification,  
Two or Three contactor bypass, LCD Keypad,  
Lonworks communication card (sold separately)

Std Field-configurable for BACnet MSTP, Metasys N2, Modbus and Apogee FLN P1.

#### ► OPTION CARDS - S-Flex (Sold Separately)

MODEL NUMBER	DESCRIPTION	PRICE (\$)
VW3A21212	OPTION CARD, ATV212, LONWORKS	722.00

► S-Flex Pricing modified..

## Do it Once. Do it Right.™

TACO INC., 1160 Cranston Street, Cranston, RI 02920 Telephone: (401) 942-8000 Fax: (401) 942-2360  
TACO (Canada), Ltd., 8450 Lawson Road, Milton, Ontario L9T 0J8 Telephone: (905) 564-9422 Fax: (905) 564-9436  
Visit our website at: [www.taco-hvac.com](http://www.taco-hvac.com)

Printed in USA

Copyright 2007

TACO, Inc.

**IMPORTANT NOTE REGARDING RETURNS AND LEAD TIMES:**

Most E-Flex drives have a 4 to 6 week lead time (consult account manager for lead times of specific models). Please note that all E-Flex drives are custom-built and ARE NOT RETURNABLE UNDER ANY CIRCUMSTANCES.

**E-FLEX ENCLOSED DRIVES, 208V WITH DISCONNECT - ENCLOSURE: NEMA 1**

MODEL NUMBER	HP	DESCRIPTION	PRICE (\$)
DECG2	1.0	VFD, 1 HP, 208V E-FLEX ENCLOSED	3,370.00
DEDG2	2.0	VFD, 2 HP, 208V E-FLEX ENCLOSED	3,370.00
DEEG2	3.0	VFD, 3 HP, 208V E-FLEX ENCLOSED	3,370.00
DEFG2	5.0	VFD, 5 HP, 208V E-FLEX ENCLOSED	3,820.00
DEGG2	7.5	VFD, 7.5 HP, 208V E-FLEX ENCLOSED	3,920.00
DEHG2	10.0	VFD, 10 HP, 208V E-FLEX ENCLOSED	4,550.00
DEJG2	15.0	VFD, 15 HP, 208V E-FLEX ENCLOSED	5,680.00
DEKG2	20.0	VFD, 20 HP, 208V E-FLEX ENCLOSED	7,250.00
DELG2	25.0	VFD, 25 HP, 208V E-FLEX ENCLOSED	7,250.00
DEMG2	30.0	VFD, 30 HP, 208V E-FLEX ENCLOSED	9,090.00
DENG2	40.0	VFD, 40 HP, 208V E-FLEX ENCLOSED	11,020.00
DEPG2	50.0	VFD, 50 HP, 208V E-FLEX ENCLOSED	13,790.00

**Features:**

Advantage 61  
3% DC Choke Standard (3% OR 5% Line Reactors Optional)  
Circuit Breaker Disconnects: 100K interruption rating  
Multiple lines of Plain English text  
Enclosure: NEMA 1; Configurable

Communications Options (Sold Separately)		
Profibus [F]	VW3A3307	831.00
Lonworks [L]	VW3A3312	831.00
Modbus Unitelway [M]	VW3A3303	340.00
Metsys N2 [P]	VW3A3313	340.00
Ethernet TCP/IP [Q]	VW3A3310	415.50
BACnet MSTP [R]	VW3A3319M	340.00
Apogee P1 [O]	VW3A3314	340.00

**LIST ADDERS E-FLEX ENCLOSED DRIVES, 208V WITH DISCONNECT - ENCLOSURE: NEMA 1**

HP	Pwr Circ With Bypass**	Control Options^					Light Cluster^	
		No HOA/ Speed Pot	HOA Start/Stop	Start/Stop	HOC	HOC Start/Stop	[A,B]	[C]
1.0	456.00	(203.70)	215.50	162.00	0.00	215.50	173.00	140.50
2.0	456.00	(203.70)	215.50	162.00	0.00	215.50	173.00	140.50
3.0	456.00	(203.70)	215.50	162.00	0.00	215.50	173.00	140.50
5.0	519.00	(203.70)	215.50	162.00	0.00	215.50	173.00	140.50
7.5	541.00	(196.30)	208.50	156.00	0.00	208.50	166.50	135.00
10.0	615.00	(196.30)	208.50	156.00	0.00	208.50	166.50	135.00
15.0	774.00	(188.90)	200.50	150.00	0.00	200.50	160.00	130.50
20.0	986.00	(188.90)	200.50	150.00	0.00	200.50	160.00	130.50
25.0	986.00	(185.20)	196.00	147.50	0.00	196.00	157.00	127.50
30.0	1,240.00	(185.20)	196.00	147.50	0.00	196.00	157.00	127.50
40.0	1,505.00	(177.80)	188.50	141.50	0.00	188.50	150.50	122.50
50.0	1,876.00	(177.80)	188.50	141.50	0.00	188.50	150.50	122.50

^ Refer to Glossary of Terms on last page for descriptions.

HP	Line Reactor		Miscellaneous Options						
	3%	5%	3-Contactor Bypass**	3-15 PSI Transducer	Smoke Purge	Add 2 Analog Outputs	cUL Listing Certification	End Damper Control	Seismic Qualification
1.0	373.50	466.50	108.00	388.50	173.00	324.00	302.00	248.50	464.50
2.0	406.00	507.00	108.00	388.50	173.00	324.00	302.00	248.50	464.50
3.0	406.00	507.00	129.50	388.50	173.00	324.00	302.00	248.50	464.50
5.0	436.00	546.00	151.00	388.50	173.00	324.00	302.00	248.50	464.50
7.5	495.00	620.00	146.00	374.50	166.50	312.00	291.50	239.00	447.50
10.0	637.00	795.00	187.00	374.50	166.50	312.00	291.50	239.00	447.50
15.0	631.00	789.00	240.00	360.50	160.00	300.50	280.50	230.00	430.50
20.0	765.00	957.00	336.50	360.50	160.00	300.50	280.50	230.00	430.50
25.0	749.00	938.00	382.50	353.50	157.00	294.50	275.00	226.00	422.00
30.0	781.00	975.00	382.50	353.50	157.00	294.50	275.00	226.00	422.00
40.0	844.00	1,056.00	475.00	339.00	150.50	282.50	264.00	217.00	405.00
50.0	1,098.00	1,374.00	686.00	339.00	150.50	282.50	264.00	217.00	405.00

\*\* Power Circuit with Bypass is 2-Contactor Bypass. For 3-Contactor Bypass, add both Bypass columns to List Price.

**Do it Once. Do it Right.™**

TACO INC., 1160 Cranston Street, Cranston, RI 02920 Telephone: (401) 942-8000 Fax: (401) 942-2360  
TACO (Canada), Ltd., 8450 Lawson Road, Milton, Ontario L9T 0J8 Telephone: (905) 564-9422 Fax: (905) 564-9436  
Visit our website at: www.taco-hvac.com

Printed in USA

Copyright 2007

TACO, Inc.

**E-FLEX ENCLOSED DRIVES, 230V WITH DISCONNECT - ENCLOSURE: NEMA 1**

MODEL NUMBER	HP	DESCRIPTION	PRICE (\$)
DECG3	1.0	VFD, 1 HP, 230V E-FLEX ENCLOSED	3,370.00
DEDG3	2.0	VFD, 2 HP, 230V E-FLEX ENCLOSED	3,370.00
DEEG3	3.0	VFD, 3 HP, 230V E-FLEX ENCLOSED	3,370.00
DEFG3	5.0	VFD, 5 HP, 230V E-FLEX ENCLOSED	3,820.00
DEGG3	7.5	VFD, 7.5 HP, 230V E-FLEX ENCLOSED	3,920.00
DEHG3	10.0	VFD, 10 HP, 230V E-FLEX ENCLOSED	4,550.00
DEJG3	15.0	VFD, 15 HP, 230V E-FLEX ENCLOSED	5,680.00
DEKG3	20.0	VFD, 20 HP, 230V E-FLEX ENCLOSED	7,250.00
DELG3	25.0	VFD, 25 HP, 230V E-FLEX ENCLOSED	7,250.00
DEMG3	30.0	VFD, 30 HP, 230V E-FLEX ENCLOSED	9,090.00
DENG3	40.0	VFD, 40 HP, 230V E-FLEX ENCLOSED	11,020.00
DEPG3	50.0	VFD, 50 HP, 230V E-FLEX ENCLOSED	13,790.00

**Features:**  
 Advantage 61  
 3% DC Choke Standard (3% OR 5% Line Reactors Optional)  
 Circuit Breaker Disconnects: 100K interruption rating  
 Multiple lines of Plain English text  
 Enclosure: NEMA 1; Configurable

Communications Options (Sold Separately)		
Profibus [F]	VW3A3307	831.00
Lonworks [L]	VW3A3312	831.00
Modbus Unitelway [M]	VW3A3303	340.00
Metsys N2 [P]	VW3A3313	340.00
Ethernet TCP/IP [Q]	VW3A3310	415.50
BACnet MSTP [R]	VW3A3319M	340.00
Apogee P1 [O]	VW3A3314	340.00

**LIST ADDERS E-FLEX ENCLOSED DRIVES, 230V WITH DISCONNECT - ENCLOSURE: NEMA 1**

HP	Pwr Circ With Bypass**	Control Options <sup>^</sup>					Light Cluster <sup>^</sup>	
		No HOA/ Speed Pot	HOA Start/Stop	Start/Stop	HOC	HOC Start/Stop	[A,B]	[C]
1.0	456.00	(203.70)	215.50	162.00	0.00	215.50	173.00	140.50
2.0	456.00	(203.70)	215.50	162.00	0.00	215.50	173.00	140.50
3.0	456.00	(203.70)	215.50	162.00	0.00	215.50	173.00	140.50
5.0	519.00	(203.70)	215.50	162.00	0.00	215.50	173.00	140.50
7.5	541.00	(196.30)	208.50	156.00	0.00	208.50	166.50	135.00
10.0	615.00	(196.30)	208.50	156.00	0.00	208.50	166.50	135.00
15.0	774.00	(188.90)	200.50	150.00	0.00	200.50	160.00	130.50
20.0	986.00	(188.90)	200.50	150.00	0.00	200.50	160.00	130.50
25.0	986.00	(185.20)	196.00	147.50	0.00	196.00	157.00	127.50
30.0	1,240.00	(185.20)	196.00	147.50	0.00	196.00	157.00	127.50
40.0	1,505.00	(177.80)	188.50	141.50	0.00	188.50	150.50	122.50
50.0	1,876.00	(177.80)	188.50	141.50	0.00	188.50	150.50	122.50

<sup>^</sup> Refer to Glossary of Terms on last page for descriptions.

HP	Line Reactor		Miscellaneous Options						
	3%	5%	3-Contactor Bypass**	3-15 PSI Transducer	Smoke Purge	Add 2 Analog Outputs	cUL Listing Certification	End Damper Control	Seismic Qualification
1.0	373.50	466.50	108.00	388.50	173.00	324.00	302.00	248.50	464.50
2.0	406.00	507.00	108.00	388.50	173.00	324.00	302.00	248.50	464.50
3.0	406.00	507.00	129.50	388.50	173.00	324.00	302.00	248.50	464.50
5.0	436.00	546.00	151.00	388.50	173.00	324.00	302.00	248.50	464.50
7.5	495.00	620.00	146.00	374.50	166.50	312.00	291.50	239.00	447.50
10.0	637.00	795.00	187.00	374.50	166.50	312.00	291.50	239.00	447.50
15.0	631.00	789.00	240.00	360.50	160.00	300.50	280.50	230.00	430.50
20.0	765.00	957.00	336.50	360.50	160.00	300.50	280.50	230.00	430.50
25.0	749.00	938.00	382.50	353.50	157.00	294.50	275.00	226.00	422.00
30.0	781.00	975.00	382.50	353.50	157.00	294.50	275.00	226.00	422.00
40.0	844.00	1,056.00	475.00	339.00	150.50	282.50	264.00	217.00	405.00
50.0	1,098.00	1,374.00	686.00	339.00	150.50	282.50	264.00	217.00	405.00

\*\* Power Circuit with Bypass is 2-Contactor Bypass. For 3-Contactor Bypass, add both Bypass columns to List Price.

**Do it Once. Do it Right.™**

TACO INC., 1160 Cranston Street, Cranston, RI 02920 Telephone: (401) 942-8000 Fax: (401) 942-2360  
 TACO (Canada), Ltd., 8450 Lawson Road, Milton, Ontario L9T 0J8 Telephone: (905) 564-9422 Fax: (905) 564-9436  
 Visit our website at: [www.taco-hvac.com](http://www.taco-hvac.com)

Printed in USA  
 Copyright 2007  
 TACO, Inc.

**E-FLEX ENCLOSED DRIVES, 460V WITH DISCONNECT - ENCLOSURE: NEMA 1**

MODEL NUMBER	HP	DESCRIPTION	PRICE (\$)
DECG4	1.0	VFD, 1 HP, 460V E-FLEX ENCLOSED	3,180.00
DEDG4	2.0	VFD, 2 HP, 460V E-FLEX ENCLOSED	3,430.00
DEEG4	3.0	VFD, 3 HP, 460V E-FLEX ENCLOSED	3,730.00
DEFG4	5.0	VFD, 5 HP, 460V E-FLEX ENCLOSED	4,010.00
DEGG4	7.5	VFD, 7.5 HP, 460V E-FLEX ENCLOSED	4,250.00
DEHG4	10.0	VFD, 10 HP, 460V E-FLEX ENCLOSED	4,450.00
DEJG4	15.0	VFD, 15 HP, 460V E-FLEX ENCLOSED	4,960.00
DEKG4	20.0	VFD, 20 HP, 460V E-FLEX ENCLOSED	5,450.00
DELG4	25.0	VFD, 25 HP, 460V E-FLEX ENCLOSED	5,810.00
DEMG4	30.0	VFD, 30 HP, 460V E-FLEX ENCLOSED	6,810.00
DENG4	40.0	VFD, 40 HP, 460V E-FLEX ENCLOSED	8,160.00
DEPG4	50.0	VFD, 50 HP, 460V E-FLEX ENCLOSED	9,640.00
DEQG4	60.0	VFD, 60 HP, 460V E-FLEX ENCLOSED	11,410.00
DERG4	75.0	VFD, 75 HP, 460V E-FLEX ENCLOSED	12,730.00
DESG4	100.0	VFD, 100 HP, 460V E-FLEX ENCLOSED	15,390.00

Features:  
 Advantage 61  
 3% DC Choke Standard (3% OR 5% Line Reactors Optional)  
 Circuit Breaker Disconnects: 100K interruption rating  
 Multiple lines of Plain English text  
 Enclosure: NEMA 1; Configurable

Communications Options (Sold Separately)		
Profibus [F]	VW3A3307	831.00
Lonworks [L]	VW3A3312	831.00
Modbus Unitelway [M]	VW3A3303	340.00
Metsys N2 [P]	VW3A3313	340.00
Ethernet TCP/IP [Q]	VW3A3310	415.50
BACnet MSTP [R]	VW3A3319M	340.00
Apogee P1 [0]	VW3A3314	340.00

**LIST ADDERS E-FLEX ENCLOSED DRIVES, 460V WITH DISCONNECT - ENCLOSURE: NEMA 1**

HP	Pwr Circ With Bypass**	Control Options^					Light Cluster^	
		No HOA/ Speed Pot	HOA Start/Stop	Start/Stop	HOC	HOC Start/Stop	[A,B]	[C]
1.0	434.50	(196.30)	208.50	156.00	0.00	208.50	166.50	135.00
2.0	477.00	(196.30)	208.50	156.00	0.00	208.50	166.50	135.00
3.0	509.00	(196.30)	208.50	156.00	0.00	208.50	166.50	135.00
5.0	551.00	(196.30)	208.50	156.00	0.00	208.50	166.50	135.00
7.5	583.00	(196.30)	208.50	156.00	0.00	208.50	166.50	135.00
10.0	710.00	(188.90)	200.50	150.00	0.00	200.50	160.00	130.50
15.0	678.00	(188.90)	200.50	150.00	0.00	200.50	160.00	130.50
20.0	742.00	(177.80)	188.50	141.50	0.00	188.50	150.50	122.50
25.0	795.00	(177.80)	188.50	141.50	0.00	188.50	150.50	122.50
30.0	922.00	(174.05)	184.50	138.50	0.00	184.50	148.00	120.00
40.0	700.00	(174.05)	184.50	138.50	0.00	184.50	148.00	120.00
50.0	1,314.00	(174.05)	184.50	138.50	0.00	184.50	148.00	120.00
60.0	1,558.00	(162.95)	173.00	129.50	0.00	173.00	138.50	112.50
75.0	1,738.00	(162.95)	173.00	129.50	0.00	173.00	138.50	112.50
100.0	2,099.00	(162.95)	173.00	129.50	0.00	173.00	138.50	112.50

^ Refer to Glossary of Terms on last page for descriptions.

\*\* Power Circuit with Bypass is 2-Contactor Bypass. For 3-Contactor Bypass, add both Bypass columns to List Price.

**Do it Once. Do it Right.™**

TACO INC., 1160 Cranston Street, Cranston, RI 02920 Telephone: (401) 942-8000 Fax: (401) 942-2360  
 TACO (Canada), Ltd., 8450 Lawson Road, Milton, Ontario L9T 0J8 Telephone: (905) 564-9422 Fax: (905) 564-9436  
 Visit our website at: [www.taco-hvac.com](http://www.taco-hvac.com)

Printed in USA  
 Copyright 2007  
 TACO, Inc.

## Advantage Variable Speed Drives - (ENCLOSED Drives)

303-180  
Page 6 of 14

LIST ADDERS E-FLEX ENCLOSED DRIVES, 460V WITH DISCONNECT - ENCLOSURE: NEMA 1

HP	Line Reactor		Miscellaneous Options						
	3%	5%	3-Contactor Bypass**	3-15 PSI Transducer	Smoke Purge	Add 2 Analog Outputs	cUL Listing Certification	End Damper Control	Seismic Qualification
1.0	360.00	449.50	104.00	374.50	166.50	312.00	291.50	239.00	447.50
2.0	391.00	489.00	104.00	374.50	166.50	312.00	291.50	239.00	447.50
3.0	391.00	489.00	104.00	374.50	166.50	312.00	291.50	239.00	447.50
5.0	420.50	526.00	104.00	374.50	166.50	312.00	291.50	239.00	447.50
7.5	495.00	620.00	125.00	374.50	166.50	312.00	291.50	239.00	447.50
10.0	613.00	765.00	140.00	360.50	160.00	300.50	280.50	230.00	430.50
15.0	631.00	789.00	156.50	360.50	160.00	300.50	280.50	230.00	430.50
20.0	720.00	901.00	169.50	339.00	150.50	282.50	264.00	217.00	405.00
25.0	720.00	901.00	226.50	339.00	150.50	282.50	264.00	217.00	405.00
30.0	735.00	917.00	221.50	332.50	148.00	276.50	258.00	212.00	397.00
40.0	827.00	1,034.00	310.00	332.50	148.00	276.50	258.00	212.00	397.00
50.0	1,076.00	1,345.00	360.00	332.50	148.00	276.50	258.00	212.00	397.00
60.0	1,007.00	1,259.00	337.00	311.00	138.50	259.00	241.50	199.00	371.50
75.0	1,121.00	1,401.00	435.00	311.00	138.50	259.00	241.50	199.00	371.50
100.0	1,342.00	1,677.00	629.00	311.00	138.50	259.00	241.50	199.00	371.50

\*\* Power Circuit with Bypass is 2-Contactor Bypass. For 3-Contactor Bypass, add both Bypass columns to List Price.

**Do it Once. Do it Right.™**

TACO INC., 1160 Cranston Street, Cranston, RI 02920 Telephone: (401) 942-8000 Fax: (401) 942-2360  
 TACO (Canada), Ltd., 8450 Lawson Road, Milton, Ontario L9T 0J8 Telephone: (905) 564-9422 Fax: (905) 564-9436  
 Visit our website at: [www.taco-hvac.com](http://www.taco-hvac.com)

Printed in USA  
 Copyright 2007  
 TACO, Inc.



**E-FLEX ENCLOSED DRIVES, 208V WITH DISCONNECT - ENCLOSURE: NEMA 12**

MODEL NUMBER	HP	DESCRIPTION	PRICE (\$)
DECA2	1.0	VFD, 1 HP, 208V E-FLEX ENCLOSED	3,710.00
DEDA2	2.0	VFD, 2 HP, 208V E-FLEX ENCLOSED	3,710.00
DEEA2	3.0	VFD, 3 HP, 208V E-FLEX ENCLOSED	3,710.00
DEFA2	5.0	VFD, 5 HP, 208V E-FLEX ENCLOSED	4,150.00
DEGA2	7.5	VFD, 7.5 HP, 208V E-FLEX ENCLOSED	4,240.00
DEHA2	10.0	VFD, 10 HP, 208V E-FLEX ENCLOSED	4,870.00
DEJA2	15.0	VFD, 15 HP, 208V E-FLEX ENCLOSED	6,410.00
DEKA2	20.0	VFD, 20 HP, 208V E-FLEX ENCLOSED	7,980.00
DELA2	25.0	VFD, 25 HP, 208V E-FLEX ENCLOSED	7,960.00
DEMA2	30.0	VFD, 30 HP, 208V E-FLEX ENCLOSED	9,810.00
DENA2	40.0	VFD, 40 HP, 208V E-FLEX ENCLOSED	11,710.00
DEPA2	50.0	VFD, 50 HP, 208V E-FLEX ENCLOSED	14,470.00

Features:  
 Advantage 61  
 3% DC Choke Standard (3% OR 5% Line Reactors Optional)  
 Circuit Breaker Disconnects: 100K interruption rating  
 Multiple lines of Plain English text  
 Enclosure: NEMA 12; Configurable

Communications Options (Sold Separately)		
Profibus [F]	VW3A3307	831.00
Lonworks [L]	VW3A3312	831.00
Modbus Unitelway [M]	VW3A3303	340.00
Metsys N2 [P]	VW3A3313	340.00
Ethernet TCP/IP [Q]	VW3A3310	415.50
BACnet MSTP [R]	VW3A3319M	340.00
Apogee P1 [O]	VW3A3314	340.00

**LIST ADDERS E-FLEX ENCLOSED DRIVES, 208V WITH DISCONNECT - ENCLOSURE: NEMA 12**

HP	Pwr Circ With Bypass**	Control Options <sup>^</sup>					Light Cluster <sup>^</sup>	
		No HOA/ Speed Pot	HOA Start/Stop	Start/Stop	HOC	HOC Start/Stop	[A,B]	[C]
1.0	456.00	(203.70)	215.50	162.00	0.00	215.50	173.00	140.50
2.0	456.00	(203.70)	215.50	162.00	0.00	215.50	173.00	140.50
3.0	456.00	(203.70)	215.50	162.00	0.00	215.50	173.00	140.50
5.0	519.00	(203.70)	215.50	162.00	0.00	215.50	173.00	140.50
7.5	541.00	(196.30)	208.50	156.00	0.00	208.50	166.50	135.00
10.0	615.00	(196.30)	208.50	156.00	0.00	208.50	166.50	135.00
15.0	774.00	(188.90)	200.50	150.00	0.00	200.50	160.00	130.50
20.0	986.00	(188.90)	200.50	150.00	0.00	200.50	160.00	130.50
25.0	986.00	(185.20)	196.00	147.50	0.00	196.00	157.00	127.50
30.0	1,240.00	(185.20)	196.00	147.50	0.00	196.00	157.00	127.50
40.0	1,505.00	(177.80)	188.50	141.50	0.00	188.50	150.50	122.50
50.0	1,876.00	(177.80)	188.50	141.50	0.00	188.50	150.50	122.50

<sup>^</sup> Refer to Glossary of Terms on last page for descriptions.

HP	Line Reactor		Miscellaneous Options						
	3%	5%	3-Contactor Bypass**	3-15 PSI Transducer	Smoke Purge	Add 2 Analog Outputs	cUL Listing Certification	End Damper Control	Seismic Qualification
1.0	373.50	466.50	108.00	388.50	173.00	324.00	302.00	248.50	464.50
2.0	406.00	507.00	108.00	388.50	173.00	324.00	302.00	248.50	464.50
3.0	406.00	507.00	129.50	388.50	173.00	324.00	302.00	248.50	464.50
5.0	436.00	546.00	151.00	388.50	173.00	324.00	302.00	248.50	464.50
7.5	495.00	620.00	146.00	374.50	166.50	312.00	291.50	239.00	447.50
10.0	637.00	795.00	187.00	374.50	166.50	312.00	291.50	239.00	447.50
15.0	631.00	789.00	240.00	360.50	160.00	300.50	280.50	230.00	430.50
20.0	765.00	957.00	336.50	360.50	160.00	300.50	280.50	230.00	430.50
25.0	749.00	938.00	382.50	353.50	157.00	294.50	275.00	226.00	422.00
30.0	781.00	975.00	382.50	353.50	157.00	294.50	275.00	226.00	422.00
40.0	844.00	1,056.00	475.00	339.00	150.50	282.50	264.00	217.00	405.00
50.0	1,098.00	1,374.00	686.00	339.00	150.50	282.50	264.00	217.00	405.00

\*\* Power Circuit with Bypass is 2-Contactor Bypass. For 3-Contactor Bypass, add both Bypass columns to List Price.

**Do it Once. Do it Right.™**

TACO INC., 1160 Cranston Street, Cranston, RI 02920 Telephone: (401) 942-8000 Fax: (401) 942-2360  
 TACO (Canada), Ltd., 8450 Lawson Road, Milton, Ontario L9T 0J8 Telephone: (905) 564-9422 Fax: (905) 564-9436  
 Visit our website at: [www.taco-hvac.com](http://www.taco-hvac.com)

Printed in USA

Copyright 2007

TACO, Inc.



**E-FLEX ENCLOSED DRIVES, 230V WITH DISCONNECT - ENCLOSURE: NEMA 12**

MODEL NUMBER	HP	DESCRIPTION	PRICE (\$)
DECA3	1.0	VFD, 1 HP, 230V E-FLEX ENCLOSED	3,710.00
DEDA3	2.0	VFD, 2 HP, 230V E-FLEX ENCLOSED	3,710.00
DEEA3	3.0	VFD, 3 HP, 230V E-FLEX ENCLOSED	3,710.00
DEFA3	5.0	VFD, 5 HP, 230V E-FLEX ENCLOSED	4,150.00
DEGA3	7.5	VFD, 7.5 HP, 230V E-FLEX ENCLOSED	4,240.00
DEHA3	10.0	VFD, 10 HP, 230V E-FLEX ENCLOSED	4,870.00
DEJA3	15.0	VFD, 15 HP, 230V E-FLEX ENCLOSED	6,410.00
DEKA3	20.0	VFD, 20 HP, 230V E-FLEX ENCLOSED	7,980.00
DELA3	25.0	VFD, 25 HP, 230V E-FLEX ENCLOSED	7,960.00
DEMA3	30.0	VFD, 30 HP, 230V E-FLEX ENCLOSED	9,810.00
DENA3	40.0	VFD, 40 HP, 230V E-FLEX ENCLOSED	11,710.00
DEPA3	50.0	VFD, 50 HP, 230V E-FLEX ENCLOSED	14,470.00

Features:  
 Advantage 61  
 3% DC Choke Standard (3% OR 5% Line Reactors Optional)  
 Circuit Breaker Disconnects: 100K interruption rating  
 Multiple lines of Plain English text  
 Enclosure: NEMA 12; Configurable

Communications Options (Sold Separately)		
Profibus [F]	VW3A3307	831.00
Lonworks [L]	VW3A3312	831.00
Modbus Unitelway [M]	VW3A3303	340.00
Metsys N2 [P]	VW3A3313	340.00
Ethernet TCP/IP [Q]	VW3A3310	415.50
BACnet MSTP [R]	VW3A3319M	340.00
Apogee P1 [0]	VW3A3314	340.00

**LIST ADDERS E-FLEX ENCLOSED DRIVES, 230V WITH DISCONNECT - ENCLOSURE: NEMA 12**

HP	Pwr Circ With Bypass**	Control Options <sup>^</sup>					Light Cluster <sup>^</sup>	
		No HOA/ Speed Pot	HOA Start/Stop	Start/Stop	HOC	HOC Start/Stop	[A,B]	[C]
1.0	456.00	(203.70)	215.50	162.00	0.00	215.50	173.00	140.50
2.0	456.00	(203.70)	215.50	162.00	0.00	215.50	173.00	140.50
3.0	456.00	(203.70)	215.50	162.00	0.00	215.50	173.00	140.50
5.0	519.00	(203.70)	215.50	162.00	0.00	215.50	173.00	140.50
7.5	541.00	(196.30)	208.50	156.00	0.00	208.50	166.50	135.00
10.0	615.00	(196.30)	208.50	156.00	0.00	208.50	166.50	135.00
15.0	774.00	(188.90)	200.50	150.00	0.00	200.50	160.00	130.50
20.0	986.00	(188.90)	200.50	150.00	0.00	200.50	160.00	130.50
25.0	986.00	(185.20)	196.00	147.50	0.00	196.00	157.00	127.50
30.0	1,240.00	(185.20)	196.00	147.50	0.00	196.00	157.00	127.50
40.0	1,505.00	(177.80)	188.50	141.50	0.00	188.50	150.50	122.50
50.0	1,876.00	(177.80)	188.50	141.50	0.00	188.50	150.50	122.50

<sup>^</sup> Refer to Glossary of Terms on last page for descriptions.

HP	Line Reactor		Miscellaneous Options						
	3%	5%	3-Contactor Bypass**	3-15 PSI Transducer	Smoke Purge	Add 2 Analog Outputs	cUL Listing Certification	End Damper Control	Seismic Qualification
1.0	373.50	466.50	108.00	388.50	173.00	324.00	302.00	248.50	464.50
2.0	406.00	507.00	108.00	388.50	173.00	324.00	302.00	248.50	464.50
3.0	406.00	507.00	129.50	388.50	173.00	324.00	302.00	248.50	464.50
5.0	436.00	546.00	151.00	388.50	173.00	324.00	302.00	248.50	464.50
7.5	495.00	620.00	146.00	374.50	166.50	312.00	291.50	239.00	447.50
10.0	637.00	795.00	187.00	374.50	166.50	312.00	291.50	239.00	447.50
15.0	631.00	789.00	240.00	360.50	160.00	300.50	280.50	230.00	430.50
20.0	765.00	957.00	336.50	360.50	160.00	300.50	280.50	230.00	430.50
25.0	749.00	938.00	382.50	353.50	157.00	294.50	275.00	226.00	422.00
30.0	781.00	975.00	382.50	353.50	157.00	294.50	275.00	226.00	422.00
40.0	844.00	1,056.00	475.00	339.00	150.50	282.50	264.00	217.00	405.00
50.0	1,098.00	1,374.00	686.00	339.00	150.50	282.50	264.00	217.00	405.00

\*\* Power Circuit with Bypass is 2-Contactor Bypass. For 3-Contactor Bypass, add both Bypass columns to List Price.

**Do it Once. Do it Right.™**

TACO INC., 1160 Cranston Street, Cranston, RI 02920 Telephone: (401) 942-8000 Fax: (401) 942-2360  
 TACO (Canada), Ltd., 8450 Lawson Road, Milton, Ontario L9T 0J8 Telephone: (905) 564-9422 Fax: (905) 564-9436  
 Visit our website at: [www.taco-hvac.com](http://www.taco-hvac.com)

Printed in USA  
 Copyright 2007  
 TACO, Inc.

**E-FLEX ENCLOSED DRIVES, 460V WITH DISCONNECT - ENCLOSURE: NEMA 12**

MODEL NUMBER	HP	DESCRIPTION	PRICE (\$)
DECA4	1.0	VFD, 1 HP, 460V E-FLEX ENCLOSED	3,500.00
DEDA4	2.0	VFD, 2 HP, 460V E-FLEX ENCLOSED	3,760.00
DEEA4	3.0	VFD, 3 HP, 460V E-FLEX ENCLOSED	4,050.00
DEFA4	5.0	VFD, 5 HP, 460V E-FLEX ENCLOSED	4,330.00
DEGA4	7.5	VFD, 7.5 HP, 460V E-FLEX ENCLOSED	4,570.00
DEHA4	10.0	VFD, 10 HP, 460V E-FLEX ENCLOSED	4,760.00
DEJA4	15.0	VFD, 15 HP, 460V E-FLEX ENCLOSED	5,270.00
DEKA4	20.0	VFD, 20 HP, 460V E-FLEX ENCLOSED	5,740.00
DELA4	25.0	VFD, 25 HP, 460V E-FLEX ENCLOSED	6,100.00
DEMA4	30.0	VFD, 30 HP, 460V E-FLEX ENCLOSED	7,470.00
DENA4	40.0	VFD, 40 HP, 460V E-FLEX ENCLOSED	8,830.00
DEPA4	50.0	VFD, 50 HP, 460V E-FLEX ENCLOSED	10,590.00
DEQA4	60.0	VFD, 60 HP, 460V E-FLEX ENCLOSED	12,300.00
DERA4	75.0	VFD, 75 HP, 460V E-FLEX ENCLOSED	13,620.00
DESA4	100.0	VFD, 100 HP, 460V E-FLEX ENCLOSED	16,280.00

Features:  
 Advantage 61  
 3% DC Choke Standard (3% OR 5% Line Reactors Optional)  
 Circuit Breaker Disconnects: 100K interruption rating  
 Multiple lines of Plain English text  
 Enclosure: NEMA 12; Configurable

Communications Options (Sold Separately)		
Profibus [F]	VW3A3307	831.00
Lonworks [L]	VW3A3312	831.00
Modbus Unitelway [M]	VW3A3303	340.00
Metsys N2 [P]	VW3A3313	340.00
Ethernet TCP/IP [Q]	VW3A3310	415.50
BACnet MSTP [R]	VW3A3319M	340.00
Apogee P1 [O]	VW3A3314	340.00

**LIST ADDERS E-FLEX ENCLOSED DRIVES, 460V WITH DISCONNECT - ENCLOSURE: NEMA 12**

HP	Pwr Circ With Bypass**	Control Options <sup>^</sup>					Light Cluster <sup>^</sup>	
		No HOA/ Speed Pot	HOA Start/Stop	Start/Stop	HOC	HOC Start/Stop	[A,B]	[C]
1.0	434.50	(196.30)	208.50	156.00	0.00	208.50	166.50	135.00
2.0	477.00	(196.30)	208.50	156.00	0.00	208.50	166.50	135.00
3.0	509.00	(196.30)	208.50	156.00	0.00	208.50	166.50	135.00
5.0	551.00	(196.30)	208.50	156.00	0.00	208.50	166.50	135.00
7.5	583.00	(196.30)	208.50	156.00	0.00	208.50	166.50	135.00
10.0	710.00	(188.90)	200.50	150.00	0.00	200.50	160.00	130.50
15.0	678.00	(188.90)	200.50	150.00	0.00	200.50	160.00	130.50
20.0	742.00	(177.80)	188.50	141.50	0.00	188.50	150.50	122.50
25.0	795.00	(177.80)	188.50	141.50	0.00	188.50	150.50	122.50
30.0	922.00	(174.05)	184.50	138.50	0.00	184.50	148.00	120.00
40.0	700.00	(174.05)	184.50	138.50	0.00	184.50	148.00	120.00
50.0	1,314.00	(174.05)	184.50	138.50	0.00	184.50	148.00	120.00
60.0	1,558.00	(162.95)	173.00	129.50	0.00	173.00	138.50	112.50
75.0	1,738.00	(162.95)	173.00	129.50	0.00	173.00	138.50	112.50
100.0	2,099.00	(162.95)	173.00	129.50	0.00	173.00	138.50	112.50

<sup>^</sup> Refer to Glossary of Terms on last page for descriptions.

\*\* Power Circuit with Bypass is 2-Contactor Bypass. For 3-Contactor Bypass, add both Bypass columns to List Price.

**Do it Once. Do it Right.™**

TACO INC., 1160 Cranston Street, Cranston, RI 02920 Telephone: (401) 942-8000 Fax: (401) 942-2360  
 TACO (Canada), Ltd., 8450 Lawson Road, Milton, Ontario L9T 0J8 Telephone: (905) 564-9422 Fax: (905) 564-9436  
 Visit our website at: [www.taco-hvac.com](http://www.taco-hvac.com)

Printed in USA  
 Copyright 2007  
 TACO, Inc.

LIST ADDERS E-FLEX ENCLOSED DRIVES, 460V WITH DISCONNECT - ENCLOSURE: NEMA 12

HP	Line Reactor		Miscellaneous Options						
	3%	5%	3-Contactor Bypass**	3-15 PSI Transducer	Smoke Purge	Add 2 Analog Outputs	cUL Listing Certification	End Damper Control	Seismic Qualification
1.0	360.00	449.50	104.00	374.50	166.50	312.00	291.50	239.00	447.50
2.0	391.00	489.00	104.00	374.50	166.50	312.00	291.50	239.00	447.50
3.0	391.00	489.00	104.00	374.50	166.50	312.00	291.50	239.00	447.50
5.0	420.50	526.00	104.00	374.50	166.50	312.00	291.50	239.00	447.50
7.5	495.00	620.00	125.00	374.50	166.50	312.00	291.50	239.00	447.50
10.0	613.00	765.00	140.00	360.50	160.00	300.50	280.50	230.00	430.50
15.0	631.00	789.00	156.50	360.50	160.00	300.50	280.50	230.00	430.50
20.0	720.00	901.00	169.50	339.00	150.50	282.50	264.00	217.00	405.00
25.0	720.00	901.00	226.50	339.00	150.50	282.50	264.00	217.00	405.00
30.0	735.00	917.00	221.50	332.50	148.00	276.50	258.00	212.00	397.00
40.0	827.00	1,034.00	310.00	332.50	148.00	276.50	258.00	212.00	397.00
50.0	1,076.00	1,345.00	360.00	332.50	148.00	276.50	258.00	212.00	397.00
60.0	1,007.00	1,259.00	337.00	311.00	138.50	259.00	241.50	199.00	371.50
75.0	1,121.00	1,401.00	435.00	311.00	138.50	259.00	241.50	199.00	371.50
100.0	1,342.00	1,677.00	629.00	311.00	138.50	259.00	241.50	199.00	371.50

\*\* Power Circuit with Bypass is 2-Contactor Bypass. For 3-Contactor Bypass, add both Bypass columns to List Price.

**Do it Once. Do it Right.™**

TACO INC., 1160 Cranston Street, Cranston, RI 02920 Telephone: (401) 942-8000 Fax: (401) 942-2360  
 TACO (Canada), Ltd., 8450 Lawson Road, Milton, Ontario L9T 0J8 Telephone: (905) 564-9422 Fax: (905) 564-9436  
 Visit our website at: [www.taco-hvac.com](http://www.taco-hvac.com)

Printed in USA  
 Copyright 2007  
 TACO, Inc.

# Advantage Variable Speed Drives - (ENCLOSED Drives)

## E-FLEX ENCLOSED DRIVES, 208V WITH DISCONNECT - ENCLOSURE: NEMA 3R

MODEL NUMBER	HP	DESCRIPTION	PRICE (\$)
DECH2	1.0	VFD, 1 HP, 208V E-FLEX ENCLOSED	7,010.00
DEDH2	2.0	VFD, 2 HP, 208V E-FLEX ENCLOSED	7,010.00
DEEH2	3.0	VFD, 3 HP, 208V E-FLEX ENCLOSED	7,010.00
DEFH2	5.0	VFD, 5 HP, 208V E-FLEX ENCLOSED	7,470.00
DEGH2	7.5	VFD, 7.5 HP, 208V E-FLEX ENCLOSED	7,890.00
DEHH2	10.0	VFD, 10 HP, 208V E-FLEX ENCLOSED	8,540.00
DEJH2	15.0	VFD, 15 HP, 208V E-FLEX ENCLOSED	11,590.00
DEKH2	20.0	VFD, 20 HP, 208V E-FLEX ENCLOSED	13,240.00
DELH2	25.0	VFD, 25 HP, 208V E-FLEX ENCLOSED	13,140.00
DEMH2	30.0	VFD, 30 HP, 208V E-FLEX ENCLOSED	17,450.00
DENH2	40.0	VFD, 40 HP, 208V E-FLEX ENCLOSED	19,220.00
DEPH2	50.0	VFD, 50 HP, 208V E-FLEX ENCLOSED	22,150.00

Features:  
 Advantage 61  
 3% DC Choke Standard (3% OR 5% Line Reactors Optional)  
 Circuit Breaker Disconnects: 100K interruption rating  
 Multiple lines of Plain English text  
 Enclosure: NEMA 3R; Configurable

Communications Options (Sold Separately)		
Profibus [F]	VW3A3307	831.00
Lonworks [L]	VW3A3312	831.00
Modbus Unitelway [M]	VW3A3303	340.00
Metsys N2 [P]	VW3A3313	340.00
Ethernet TCP/IP [Q]	VW3A3310	415.50
BACnet MSTP [R]	VW3A3319M	340.00
Apogee P1 [O]	VW3A3314	340.00

## LIST ADDERS E-FLEX ENCLOSED DRIVES, 208V WITH DISCONNECT - ENCLOSURE: NEMA 3R

HP	Pwr Circ With Bypass**	Control Options <sup>^</sup>					Light Cluster <sup>^</sup>	
		No HOA/Speed Pot	HOA Start/Stop	Start/Stop	HOC	HOC Start/Stop	[A,B]	[C]
1.0	487.50	(215.95)	229.00	171.50	0.00	229.00	183.00	149.00
2.0	487.50	(215.95)	229.00	171.50	0.00	229.00	183.00	149.00
3.0	487.50	(215.95)	229.00	171.50	0.00	229.00	183.00	149.00
5.0	551.00	(215.95)	229.00	171.50	0.00	229.00	183.00	149.00
7.5	572.00	(207.40)	220.00	165.00	0.00	220.00	176.00	143.00
10.0	647.00	(207.40)	220.00	165.00	0.00	220.00	176.00	143.00
15.0	816.00	(200.00)	212.00	159.00	0.00	212.00	169.50	138.00
20.0	1,049.00	(200.00)	212.00	159.00	0.00	212.00	169.50	138.00
25.0	1,049.00	(196.30)	208.50	156.00	0.00	208.50	166.50	135.00
30.0	1,314.00	(196.30)	208.50	156.00	0.00	208.50	166.50	135.00
40.0	1,601.00	(188.90)	200.50	150.00	0.00	200.50	160.00	130.50
50.0	1,993.00	(188.90)	200.50	150.00	0.00	200.50	160.00	130.50

<sup>^</sup> Refer to Glossary of Terms on last page for descriptions.

HP	Line Reactor		Miscellaneous Options						
	3%	5%	3-Contactor Bypass**	3-15 PSI Transducer	Smoke Purge	Add 2 Analog Outputs	cUL Listing Certification	End Damper Control	Seismic Qualification
1.0	396.00	494.50	114.50	412.00	183.00	343.50	320.50	263.50	492.00
2.0	430.50	537.00	114.50	412.00	183.00	343.50	320.50	263.50	492.00
3.0	430.50	537.00	137.50	412.00	183.00	343.50	320.50	263.50	492.00
5.0	462.00	579.00	160.00	412.00	183.00	343.50	320.50	263.50	492.00
7.5	523.00	655.00	153.50	396.00	176.00	329.50	308.00	253.00	473.00
10.0	673.00	840.00	197.50	396.00	176.00	329.50	308.00	253.00	473.00
15.0	668.00	835.00	254.50	381.50	169.50	318.00	297.00	244.00	456.00
20.0	810.00	1,013.00	356.00	381.50	169.50	318.00	297.00	244.00	456.00
25.0	795.00	994.00	406.00	374.50	166.50	312.00	291.50	239.00	447.50
30.0	828.00	1,035.00	406.00	374.50	166.50	312.00	291.50	239.00	447.50
40.0	897.00	1,121.00	505.00	360.50	160.00	300.50	280.50	230.00	430.50
50.0	1,167.00	1,460.00	729.00	360.50	160.00	300.50	280.50	230.00	430.50

\*\* Power Circuit with Bypass is 2-Contactor Bypass. For 3-Contactor Bypass, add both Bypass columns to List Price.

**Do it Once. Do it Right.™**

TACO INC., 1160 Cranston Street, Cranston, RI 02920 Telephone: (401) 942-8000 Fax: (401) 942-2360  
 TACO (Canada), Ltd., 8450 Lawson Road, Milton, Ontario L9T 0J8 Telephone: (905) 564-9422 Fax: (905) 564-9436  
 Visit our website at: [www.taco-hvac.com](http://www.taco-hvac.com)

Printed in USA  
 Copyright 2007  
 TACO, Inc.

**E-FLEX ENCLOSED DRIVES, 230V WITH DISCONNECT - ENCLOSURE: NEMA 3R**

MODEL NUMBER	HP	DESCRIPTION	PRICE (\$)
DECH3	1.0	VFD, 1 HP, 230V E-FLEX ENCLOSED	7,010.00
DEDH3	2.0	VFD, 2 HP, 230V E-FLEX ENCLOSED	7,010.00
DEEH3	3.0	VFD, 3 HP, 230V E-FLEX ENCLOSED	7,010.00
DEFH3	5.0	VFD, 5 HP, 230V E-FLEX ENCLOSED	7,470.00
DEGH3	7.5	VFD, 7.5 HP, 230V E-FLEX ENCLOSED	7,890.00
DEHH3	10.0	VFD, 10 HP, 230V E-FLEX ENCLOSED	8,540.00
DEJH3	15.0	VFD, 15 HP, 230V E-FLEX ENCLOSED	11,590.00
DEKH3	20.0	VFD, 20 HP, 230V E-FLEX ENCLOSED	13,240.00
DELH3	25.0	VFD, 25 HP, 230V E-FLEX ENCLOSED	13,140.00
DEMh3	30.0	VFD, 30 HP, 230V E-FLEX ENCLOSED	17,450.00
DENH3	40.0	VFD, 40 HP, 230V E-FLEX ENCLOSED	19,220.00
DEPH3	50.0	VFD, 50 HP, 230V E-FLEX ENCLOSED	22,150.00

Features:  
 Advantage 61  
 3% DC Choke Standard (3% OR 5% Line Reactors Optional)  
 Circuit Breaker Disconnects: 100K interruption rating  
 Multiple lines of Plain English text  
 Enclosure: NEMA 3R; Configurable

Communications Options (Sold Separately)		
Profibus [F]	VW3A3307	831.00
Lonworks [L]	VW3A3312	831.00
Modbus Unitelway [M]	VW3A3303	340.00
Metsys N2 [P]	VW3A3313	340.00
Ethernet TCP/IP [Q]	VW3A3310	415.50
BACnet MSTP [R]	VW3A3319M	340.00
Apogee P1 [0]	VW3A3314	340.00

**LIST ADDERS E-FLEX ENCLOSED DRIVES, 230V WITH DISCONNECT - ENCLOSURE: NEMA 3R**

HP	Pwr Circ With Bypass**	Control Options <sup>^</sup>					Light Cluster <sup>^</sup>	
		No HOA/ Speed Pot	HOA Start/Stop	Start/Stop	HOC	HOC Start/Stop	[A,B]	[C]
1.0	487.50	(215.95)	229.00	171.50	0.00	229.00	183.00	149.00
2.0	487.50	(215.95)	229.00	171.50	0.00	229.00	183.00	149.00
3.0	487.50	(215.95)	229.00	171.50	0.00	229.00	183.00	149.00
5.0	551.00	(215.95)	229.00	171.50	0.00	229.00	183.00	149.00
7.5	572.00	(207.40)	220.00	165.00	0.00	220.00	176.00	143.00
10.0	647.00	(207.40)	220.00	165.00	0.00	220.00	176.00	143.00
15.0	816.00	(200.00)	212.00	159.00	0.00	212.00	169.50	138.00
20.0	1,049.00	(200.00)	212.00	159.00	0.00	212.00	169.50	138.00
25.0	1,049.00	(196.30)	208.50	156.00	0.00	208.50	166.50	135.00
30.0	1,314.00	(196.30)	208.50	156.00	0.00	208.50	166.50	135.00
40.0	1,601.00	(188.90)	200.50	150.00	0.00	200.50	160.00	130.50
50.0	1,993.00	(188.90)	200.50	150.00	0.00	200.50	160.00	130.50

<sup>^</sup> Refer to Glossary of Terms on last page for descriptions.

HP	Line Reactor		Miscellaneous Options						
	3%	5%	3-Contactor Bypass**	3-15 PSI Transducer	Smoke Purge	Add 2 Analog Outputs	cUL Listing Certification	End Damper Control	Seismic Qualification
1.0	396.00	494.50	114.50	412.00	183.00	343.50	320.50	263.50	492.00
2.0	430.50	537.00	114.50	412.00	183.00	343.50	320.50	263.50	492.00
3.0	430.50	537.00	137.50	412.00	183.00	343.50	320.50	263.50	492.00
5.0	462.00	579.00	160.00	412.00	183.00	343.50	320.50	263.50	492.00
7.5	523.00	655.00	153.50	396.00	176.00	329.50	308.00	253.00	473.00
10.0	673.00	840.00	197.50	396.00	176.00	329.50	308.00	253.00	473.00
15.0	668.00	835.00	254.50	381.50	169.50	318.00	297.00	244.00	456.00
20.0	810.00	1,013.00	356.00	381.50	169.50	318.00	297.00	244.00	456.00
25.0	795.00	994.00	406.00	374.50	166.50	312.00	291.50	239.00	447.50
30.0	828.00	1,035.00	406.00	374.50	166.50	312.00	291.50	239.00	447.50
40.0	897.00	1,121.00	505.00	360.50	160.00	300.50	280.50	230.00	430.50
50.0	1,167.00	1,460.00	729.00	360.50	160.00	300.50	280.50	230.00	430.50

\*\* Power Circuit with Bypass is 2-Contactor Bypass. For 3-Contactor Bypass, add both Bypass columns to List Price.

**Do it Once. Do it Right.™**

TACO INC., 1160 Cranston Street, Cranston, RI 02920 Telephone: (401) 942-8000 Fax: (401) 942-2360  
 TACO (Canada), Ltd., 8450 Lawson Road, Milton, Ontario L9T 0J8 Telephone: (905) 564-9422 Fax: (905) 564-9436  
 Visit our website at: [www.taco-hvac.com](http://www.taco-hvac.com)

Printed in USA

Copyright 2007

TACO, Inc.

E-FLEX ENCLOSED DRIVES, 460V WITH DISCONNECT - ENCLOSURE: NEMA 3R

MODEL NUMBER	HP	DESCRIPTION	PRICE (\$)
DECH4	1.0	VFD, 1 HP, 460V E-FLEX ENCLOSED	6,660.00
DEDH4	2.0	VFD, 2 HP, 460V E-FLEX ENCLOSED	6,930.00
DEEH4	3.0	VFD, 3 HP, 460V E-FLEX ENCLOSED	7,230.00
DEFH4	5.0	VFD, 5 HP, 460V E-FLEX ENCLOSED	7,540.00
DEGH4	7.5	VFD, 7.5 HP, 460V E-FLEX ENCLOSED	7,790.00
DEHH4	10.0	VFD, 10 HP, 460V E-FLEX ENCLOSED	8,320.00
DEJH4	15.0	VFD, 15 HP, 460V E-FLEX ENCLOSED	8,860.00
DEKH4	20.0	VFD, 20 HP, 460V E-FLEX ENCLOSED	9,190.00
DELH4	25.0	VFD, 25 HP, 460V E-FLEX ENCLOSED	9,570.00
DEMh4	30.0	VFD, 30 HP, 460V E-FLEX ENCLOSED	12,390.00
DENH4	40.0	VFD, 40 HP, 460V E-FLEX ENCLOSED	13,830.00
DEPH4	50.0	VFD, 50 HP, 460V E-FLEX ENCLOSED	15,400.00
DEQH4	60.0	VFD, 60 HP, 460V E-FLEX ENCLOSED	19,110.00
DERH4	75.0	VFD, 75 HP, 460V E-FLEX ENCLOSED	20,520.00
DESH4	100.0	VFD, 100 HP, 460V E-FLEX ENCLOSED	23,360.00

Features:  
 Advantage 61  
 3% DC Choke Standard (3% OR 5% Line Reactors Optional)  
 Circuit Breaker Disconnects: 100K interruption rating  
 Multiple lines of Plain English text  
 Enclosure: NEMA 3R; Configurable

Communications Options (Sold Separately)		
Profibus [F]	VW3A3307	831.00
Lonworks [L]	VW3A3312	831.00
Modbus Unitelway [M]	VW3A3303	340.00
Metsys N2 [P]	VW3A3313	340.00
Ethernet TCP/IP [Q]	VW3A3310	415.50
BACnet MSTP [R]	VW3A3319M	340.00
Apogee P1 [0]	VW3A3314	340.00

LIST ADDERS E-FLEX ENCLOSED DRIVES, 460V WITH DISCONNECT - ENCLOSURE: NEMA 3R

HP	Pwr Circ With Bypass**	Control Options^					Light Cluster^	
		No HOA/ Speed Pot	HOA Start/Stop	Start/Stop	HOC	HOC Start/Stop	[A,B]	[C]
1.0	466.50	(207.40)	220.00	165.00	0.00	220.00	176.00	143.00
2.0	498.00	(207.40)	220.00	165.00	0.00	220.00	176.00	143.00
3.0	541.00	(207.40)	220.00	165.00	0.00	220.00	176.00	143.00
5.0	572.00	(207.40)	220.00	165.00	0.00	220.00	176.00	143.00
7.5	615.00	(207.40)	220.00	165.00	0.00	220.00	176.00	143.00
10.0	753.00	(200.00)	212.00	159.00	0.00	212.00	169.50	138.00
15.0	710.00	(200.00)	212.00	159.00	0.00	212.00	169.50	138.00
20.0	795.00	(188.90)	200.50	150.00	0.00	200.50	160.00	130.50
25.0	848.00	(188.90)	200.50	150.00	0.00	200.50	160.00	130.50
30.0	986.00	(185.20)	196.00	147.50	0.00	196.00	157.00	127.50
40.0	742.00	(185.20)	196.00	147.50	0.00	196.00	157.00	127.50
50.0	1,399.00	(185.20)	196.00	147.50	0.00	196.00	157.00	127.50
60.0	1,654.00	(174.05)	184.50	138.50	0.00	184.50	148.00	120.00
75.0	1,855.00	(174.05)	184.50	138.50	0.00	184.50	148.00	120.00
100.0	2,237.00	(174.05)	184.50	138.50	0.00	184.50	148.00	120.00

^ Refer to Glossary of Terms on last page for descriptions.

\*\* Power Circuit with Bypass is 2-Contactor Bypass. For 3-Contactor Bypass, add both Bypass columns to List Price.

**Do it Once. Do it Right.™**

TACO INC., 1160 Cranston Street, Cranston, RI 02920 Telephone: (401) 942-8000 Fax: (401) 942-2360  
 TACO (Canada), Ltd., 8450 Lawson Road, Milton, Ontario L9T 0J8 Telephone: (905) 564-9422 Fax: (905) 564-9436  
 Visit our website at: [www.taco-hvac.com](http://www.taco-hvac.com)

Printed in USA

Copyright 2007

TACO, Inc.

LIST ADDERS E-FLEX ENCLOSED DRIVES, 460V WITH DISCONNECT - ENCLOSURE: NEMA 1

HP	Line Reactor		Miscellaneous Options						
	3%	5%	3-Contactor Bypass**	3-15 PSI Transducer	Smoke Purge	Add 2 Analog Outputs	cUL Listing Certification	End Damper Control	Seismic Qualification
1.0	380.50	475.00	109.50	396.00	176.00	329.50	308.00	253.00	473.00
2.0	413.50	517.00	109.50	396.00	176.00	329.50	308.00	253.00	473.00
3.0	413.50	517.00	109.50	396.00	176.00	329.50	308.00	253.00	473.00
5.0	444.00	557.00	109.50	396.00	176.00	329.50	308.00	253.00	473.00
7.5	523.00	655.00	132.00	396.00	176.00	329.50	308.00	253.00	473.00
10.0	649.00	810.00	148.50	381.50	169.50	318.00	297.00	244.00	456.00
15.0	668.00	835.00	165.50	381.50	169.50	318.00	297.00	244.00	456.00
20.0	765.00	957.00	180.00	360.50	160.00	300.50	280.50	230.00	430.50
25.0	765.00	957.00	240.00	360.50	160.00	300.50	280.50	230.00	430.50
30.0	781.00	975.00	235.50	353.50	157.00	294.50	275.00	226.00	422.00
40.0	880.00	1,099.00	329.50	353.50	157.00	294.50	275.00	226.00	422.00
50.0	1,145.00	1,431.00	382.50	353.50	157.00	294.50	275.00	226.00	422.00
60.0	1,076.00	1,345.00	360.00	332.50	148.00	276.50	258.00	212.00	397.00
75.0	1,198.00	1,497.00	465.00	332.50	148.00	276.50	258.00	212.00	397.00
100.0	1,434.00	1,791.00	672.00	332.50	148.00	276.50	258.00	212.00	397.00

\*\* Power Circuit with Bypass is 2-Contactor Bypass. For 3-Contactor Bypass, add both Bypass columns to List Price.

Glossary of Terms

Control Options:

- [N] NONE - No Hand/Off/Auto, Speed Pot
- [B] HOA START/STOP - Hand/Off/Auto, Speed Pot, Start/Stop
- [C] START/STOP - Speed Pot, Start/Stop
- [D] HOC - Hand/Off/Comm, Speed Pot
- [E] HOC Start/Stop - Hand/Off/Comm, Speed Pot, Start/Stop

Light Cluster Options:

- [A] ON/RUN/FAULT/AUTO
- [B] ON/RUN/FAULT/BYPASS
- [C] ON/RUN/FAULT

**Do it Once. Do it Right.™**

TACO INC., 1160 Cranston Street, Cranston, RI 02920 Telephone: (401) 942-8000 Fax: (401) 942-2360  
 TACO (Canada), Ltd., 8450 Lawson Road, Milton, Ontario L9T 0J8 Telephone: (905) 564-9422 Fax: (905) 564-9436  
 Visit our website at: [www.taco-hvac.com](http://www.taco-hvac.com)

Printed in USA

Copyright 2007

TACO, Inc.



# Replacement Parts List Prices GT Pumps

**Supersedes:** January 31, 2011

**Effective: February 04, 2013**

**KITS**

PUMP MODEL	SHAFT	SHAFT KIT	LIST PRICE (\$)	RETAINING NUTS & WASHERS KIT	LIST PRICE (\$)	MECHANICAL SEAL & SEAL SLEEVE KIT*	LIST PRICE (\$)	O-RING KIT	LIST PRICE (\$)
GT30037 GT35024	CW CS	955-1043RP	1,504.00	955-2543RP	392.00	955-2559RP	1,239.00	955-2535RP	119.50
	CCW CS	955-2443RP	1,504.00	955-2546RP	392.00				
	CW SS	955-1220RP	1,860.00	955-2543RP	392.00				
	CCW SS	955-2520RP	1,860.00	955-2546RP	392.00				
GT30066 GT40032	CW CS	955-1044RP	1,672.00	955-2544RP	479.50	955-2560RP	1,403.00	955-2536RP	119.50
	CCW CS	955-2444RP	1,672.00	955-2547RP	479.50				
	CW SS	955-1221RP	2,367.00	955-2544RP	479.50				
	CCW SS	955-2521RP	2,436.00	955-2547RP	479.50				
GT40070 GT45043	CW CS	955-1045RP	2,222.00	955-2545RP	538.00	955-2561RP	4,930.00	955-2537RP	119.50
	CCW CS	955-2445RP	2,600.00	955-2548RP	538.00				
	CW SS	955-1222RP	1,537.00	955-2545RP	538.00				
	CCW SS	955-2522RP	3,200.00	955-2548RP	538.00				

\*Type 2100 unbalanced (for Class 125 Models)

PUMP MODEL	ITEM #2 WEAR RING PART NUMBER	LIST PRICE (\$)	ITEM #3 IMPELLER STAINLESS STEEL PART NUMBER	LIST PRICE (\$)	ITEM #3 IMPELLER BRONZE PART NUMBER	LIST PRICE (\$)	ITEM #53 GASKET DISCHARGE SIDE PART NUMBER	LIST PRICE (\$)
GT30037	955-1006RP	1,491.00	955-1213RP	4,090.00	955-1011RP	8,350.00	955-1122RP	66.65
GT35024	955-1007RP		955-1214RP	3,620.00	955-1012RP	6,310.00	955-1124RP	56.65
GT40032	955-1006RP		955-1215RP	4,740.00	955-1013RP	8,350.00	955-1126RP	
GT30066			955-1216RP	8,060.00	955-1014RP	14,540.00	955-1169RP	75.50
GT45043	955-1009RP		955-1217RP	6,420.00	955-1015RP	13,140.00	955-1171RP	56.65
GT40070	955-1010RP		955-1218RP	9,400.00	955-1016RP	16,700.00	955-1173RP	

PUMP MODEL	ITEM #54 GAS-KET SUCTION SIDE PART NUMBER	LIST PRICE (\$)	ITEM #43 IMPELLER KEY PART NUMBER	LIST PRICE (\$)
GT30037	955-1123RP	66.65	955-1033RP	35.25
GT35024	955-1125RP	61.60		
GT40032	955-1127RP	65.40	955-1121RP	25.15
GT30066	955-1170RP	79.25		
GT45043	955-1172RP	65.40	955-1034RP	39.00
GT40070	955-1174RP	59.10		

**LEGEND:**

- CW - CLOCKWISE
- CCW - COUNTERCLOCKWISE
- CS - CARBON STEEL
- SS - STAINLESS STEEL

► Indicates new item added.





# GT PUMPS REPLACEMENT PARTS

303-181

Effective Date: February 04, 2013

Page 2 of 4

PUMP MODEL	ITEM #49 OUTER SHAFT SLEEVE BRONZE PART NUMBER	LIST PRICE (\$)	ITEM #49 OUTER SHAFT SLEEVE STAINLESS STEEL PART NUMBER	LIST PRICE (\$)	ITEM #50 INNER SHAFT SLEEVE BRONZE PART NUMBER	LIST PRICE (\$)	ITEM # 50 INNER SHAFT SLEEVE STAINLESS STEEL PART NUMBER	LIST PRICE (\$)
GT30037	955-1046RP	600.00	955-1223RP	183.50	955-1049RP	1,593.00	955-1226RP	521.00
GT35024								
GT40032	955-1047RP	790.00	955-1224RP	243.00	955-1050RP	2,109.00	955-1227RP	648.00
GT30066								
GT45043	955-1048RP	790.00	955-1225RP	243.00	955-1051RP	2,109.00	955-1228RP	648.00
GT40070								

OIL RING					BEARING PARTS			
PUMP MODEL	ITEM #52 OUTER OIL RING	LIST PRICE (\$)	ITEM #51 INNER OIL RING	LIST PRICE (\$)	ITEM #30 NDE BEARING PART NUMBER	LIST PRICE (\$)	ITEM #35 DE BEARING PART NUMBER	LIST PRICE (\$)
GT30037	955-1055RP	37.75	955-1052RP	37.75	955-1068RP	192.50	955-1068RP	192.50
GT35024								
GT40032	955-1056RP	37.75	955-1053RP	37.75	955-1069RP	400.00	955-1081RP	250.50
GT30066								
GT45043	955-1057RP	44.05	955-1054RP	44.05			955-1069RP	400.00
GT40070								

BEARING PARTS (con't)								
PUMP MODEL	ITEM #20 SEAL SLEEVE PART NUMBER	LIST PRICE (\$)	ITEM #34 OIL SLEEVE PART NUMBER	LIST PRICE (\$)	ITEM #98 O-RING SEAL COVER TO SEAL HOUSING PART NUMBER	LIST PRICE (\$)	ITEM #99 O-RING SEAL COVER TO SEAL HOUSING PART NUMBER	LIST PRICE (\$)
GT30037	955-1105RP	83.05	955-1077RP	18.90	955-1822RP	56.65	955-1825RP	56.65
GT35024								
GT40032	955-1106RP	32.70	955-1078RP	18.90	955-1823RP	44.05	955-1826RP	44.05
GT30066								
GT45043	955-1107RP	79.25	955-1079RP	18.90	955-1824RP	56.65	955-1827RP	56.65
GT40070								



TACO INC., 1160 Cranston Street, Cranston, RI 02920 Telephone: (401) 942-8000 Fax: (401) 942-2360  
 TACO (Canada), Ltd., 8450 Lawson Road, Milton, Ontario L9T 0J8 Telephone: (905) 564-9422 Fax: (905) 564-9436  
 Visit our website at: [www.taco-hvac.com](http://www.taco-hvac.com). Printed in USA. Copyright 2007, TACO, Inc.

# GT PUMPS REPLACEMENT PARTS

303-181

Effective Date: February 04, 2013

Page 3 of 4

## WOODS COUPLINGS

PUMP MODEL	ITEM #100 INSERT PART NUMBER	LIST PRICE (\$)
GT30037	953-2475RP	720.00
	953-2478RP	939.00
	953-2544RP	950.00
	953-2545RP	1,686.00
	953-4046RP	1,685.00
GT30066	953-2478RP	939.00
	953-2544RP	950.00
	953-2545RP	1,686.00
	953-4046RP	1,685.00
	953-4055RP	2,415.00
GT35024	953-2475RP	720.00
	953-2478RP	939.00
	953-2544RP	950.00
	953-2545RP	1,686.00
GT40032	953-2478RP	939.00
	953-2544RP	950.00
	953-2545RP	1,686.00
	953-4046RP	1,685.00
GT40070	953-4046RP	1,685.00
	953-4055RP	2,415.00
GT45043	953-2545RP	1,686.00
	953-4046RP	1,685.00
	953-4055RP	2,415.00

PUMP MODEL	ITEM #101 MOTOR HUB PART NUMBER	LIST PRICE (\$)
GT40032	953-2480RP	603.00
	953-2542RP	330.50
	953-2549RP	1,174.00
	953-2551RP	1,423.00
	953-3925RP	1,310.00
	953-4052RP	2,369.00
	953-4093RP	2,454.00
	953-4097RP	3,600.00

PUMP MODEL	ITEM #101 MOTOR HUB PART NUMBER	LIST PRICE (\$)
GT40070	953-4052RP	2,369.00
	953-4060RP	3,600.00
	953-4093RP	2,454.00
	953-4097RP	3,600.00
	953-4108RP	
953-4109RP		
GT45043	953-2551RP	1,423.00
	953-4052RP	2,369.00
	953-4060RP	3,600.00
	953-4093RP	2,454.00
	953-4097RP	3,600.00

PUMP MODEL	ITEM #14 SLINGER PART NUMBER	LIST PRICE (\$)
GT30037	955-1099	37.95
GT35024		
GT40032	955-1100RP	37.95
GT30066		
GT45043		
GT40070	955-1101	44.05

PUMP MODEL	ITEM #101 MOTOR HUB PART NUMBER	LIST PRICE (\$)
GT30037	953-2477RP	464.00
	953-2480RP	603.00
	953-2549RP	1,174.00
	953-2551RP	1,423.00
	953-3925RP	1,310.00
	953-4052RP	2,369.00
GT30066	953-2480RP	603.00
	953-2549RP	1,174.00
	953-2551RP	1,423.00
	953-4052RP	2,369.00
	953-4093RP	2,454.00
	953-4097RP	3,600.00
GT35024	953-2477RP	464.00
	953-2480RP	603.00
	953-2539RP	301.50
	953-2542RP	330.50
	953-2543RP	603.00
	953-2549RP	1,174.00
	953-2551RP	1,423.00
	953-3925RP	1,310.00



TACO INC., 1160 Cranston Street, Cranston, RI 02920 Telephone: (401) 942-8000 Fax: (401) 942-2360  
 TACO (Canada), Ltd., 8450 Lawson Road, Milton, Ontario L9T 0J8 Telephone: (905) 564-9422 Fax: (905) 564-9436  
 Visit our website at: [www.taco-hvac.com](http://www.taco-hvac.com). Printed in USA. Copyright 2007, TACO, Inc.

# GT PUMPS REPLACEMENT PARTS

303-181

Effective Date: February 04, 2013

Page 4 of 4

PUMP MODEL	ITEM #102 PUMP HUB PART NUMBER	LIST PRICE (\$)	PUMP MODEL	ITEM #101 MOTOR HUB PART NUMBER	LIST PRICE (\$)	PUMP MODEL	ITEM #102 PUMP HUB PART NUMBER	LIST PRICE (\$)			
GT30037	953-3118RP	1,025.00	GT40032	953-2480RP	603.00	GT30037	953-3118RP	1,025.00			
	953-3190RP	1,608.00		953-2542RP	330.50		953-3190RP	1,608.00			
	953-3316RP	759.00		953-2549RP	1,174.00		953-3316RP	759.00			
	953-4071RP	1,964.00		953-2551RP	1,423.00		953-4071RP	1,964.00			
	953-4095RP	2,454.00		953-3925RP	1,310.00		953-4095RP	2,454.00			
GT30066	953-3112RP	1,186.00		953-4052RP	2,369.00	GT30066	953-3112RP	1,186.00			
	953-3314RP	1,608.00		953-4093RP	2,454.00		953-3314RP	1,608.00			
	953-4009RP	3,600.00		953-4097RP	3,600.00		953-4009RP	3,600.00			
	953-4047RP	2,454.00		GT40070	953-4052RP		2,369.00	953-4047RP	2,454.00		
	953-4092RP	3,980.00			953-4060RP		3,600.00	953-4092RP	3,980.00		
	953-4099RP	7,300.00	953-4093RP		2,454.00		953-4099RP	7,300.00			
	GT35024	953-3118RP	1,025.00		953-4097RP		3,600.00	953-3118RP	1,025.00		
953-3190RP		1,608.00	953-4108RP	953-3190RP	1,608.00						
953-3316RP		759.00	953-4109RP	953-3316RP	759.00						
953-4071RP		1,964.00	GT45043	953-2551RP	1,423.00	953-4071RP	1,964.00				
GT40032	953-3112RP	1,186.00		953-4052RP	2,369.00	GT40032	953-3112RP	1,186.00			
	953-3314RP	1,608.00		953-4060RP	3,600.00		953-3314RP	1,608.00			
	953-4047RP	2,454.00		953-4093RP	2,454.00		953-4047RP	2,454.00			
	953-4092RP	3,980.00	953-4097RP	3,600.00	953-4092RP		3,980.00				
GT40070	953-4056RP	3,600.00	PUMP MODEL	ITEM #14 SLINGER PART NUMBER	LIST PRICE (\$)	GT40070	953-4056RP	3,600.00			
	953-4096RP	2,454.00					953-4096RP	2,454.00			
GT45043	953-4054RP	1,964.00				GT30037	955-1099	37.95	GT45043	953-4054RP	1,964.00
	953-4056RP	3,600.00				GT35024				953-4056RP	3,600.00
	953-4096RP	2,454.00				GT40032	955-1100RP	37.95		953-4096RP	2,454.00
		GT30066				GT45043			955-1101	44.05	
		GT45043									
			GT40070								

### SEALS

PUMP MODEL	ITEM #21 MECHANICAL SEAL TYPE 2100 UNBALANCED PART NUMBER	LIST PRICE (\$)	ITEM #21 MECHANICAL SEAL TYPE 8B1 BALANCED PART NUMBER	LIST PRICE (\$)
GT30037	955-2403RP	1,396.00	955-1847RP	1,396.00
GT35024				
GT30066	955-1843RP	1,499.00	955-1848RP	3,290.00
GT40032				
GT40070	955-1855RP	5,540.00	955-1849RP	6,190.00
GT45043				



TACO INC., 1160 Cranston Street, Cranston, RI 02920 Telephone: (401) 942-8000 Fax: (401) 942-2360  
 TACO (Canada), Ltd., 8450 Lawson Road, Milton, Ontario L9T 0J8 Telephone: (905) 564-9422 Fax: (905) 564-9436  
 Visit our website at: [www.taco-hvac.com](http://www.taco-hvac.com). Printed in USA. Copyright 2007, TACO, Inc.



# Suggested List Prices

303-182

## Multi-Purpose Valves For Penn Steel & Buy American Acts

Supersede: February 04, 2014

Effective: July 17, 2014

### 125 PSI UNITS

Product Number	Size	Type	Price (\$)	Shipping Wt./Lbs./Kg.
PMPV020-1J	2" / 125#	Flanged	1,679.00	34 (015)
PMPV025-1J	2½" / 125#	Planged	1,937.00	40 (018)
PMPV030-1J	3" / 125#	Flanged	1,911.00	50 (027)
PMPV040-1J	4" / 125#	Flanged	3,202.50	100 (045)
PMPV050-1J	5" / 125#	Flanged	3,667.00	155 (070)
PMPV060-1J	6" / 125#	Flanged	5,114.00	200 (090)
PMPV080-1J	8" / 125#	Flanged	8,068.00	350 (159)
PMPV100-1J	10" / 125#	Flanged	14,463.00	480 (218)
PMPV120-1J	12" / 125#	Flanged	19,602.00	660 (300)
PMPV140-1J	14" / 125#	Flanged	29,545.50	790 (359)

### 250 PSI UNITS

Product Number	Size	Type	Price (\$)	Shipping Wt./Lbs./Kg.
PMPV020-1AJ	2" / 250#	Flanged	3,564.00	39 (017)
PMPV025-1AJ	2½" / 250#	Flanged	3,745.00	47 (021)
PMPV030-1AJ	3" / 250#	Flanged	4,132.00	64 (029)
PMPV040-1AJ	4" / 250#	Flanged	4,959.00	120 (54.5)
PMPV050-1AJ	5" / 250#	Flanged	6,147.00	173 (078)
PMPV060-1AJ	6" / 250#	Flanged	8,264.50	230 (104)
PMPV080-1AJ	8" / 250#	Flanged	12,862.00	410 (186)
PMPV100-1AJ	10" / 250#	Flanged	23,502.00	550 (250)
PMPV120-1AJ	12" / 250#	Flanged	25,775.00	730 (331)
PMPV140-1AJ	14" / 250#	Flanged	31,193.00	-

### Grooved 125 / 250 PSI UNITS

Product Number	Size	Type	Price (\$)	Shipping Wt./Lbs.
PMPVG020-1J	2" / 250#	Grooved	3,936.00	23 (010)
PMPVG025-1J	2½" / 250#	Grooved	3,941.00	24 (011)
PMPVG030-1J	3" / 250#	Grooved	4,101.00	33 (015)
PMPVG040-1J	4" / 250#	Grooved	4,917.00	84 (038)
PMPVG060-1J	6" / 250#	Grooved	7,045.50	156 (070)
PMPVG080-1J	8" / 250#	Grooved	10,170.50	300 (136)
PMPVG100-1J	10" / 250#	Grooved	14,463.00	392 (178)
PMPVG120-1J	12" / 250#	Grooved	20,413.00	496 (225)

Metric weights are in kilograms and are presented in ( )

**All pricing subject to change without notice**

**Do it Once. Do it Right.®**

TACO INC., 1160 Cranston Street, Cranston, RI 02920 Telephone: (401) 942-8000 Fax: (401) 942-2360  
TACO (Canada), Ltd., 8450 Lawson Road, Milton, Ontario L9T 0J8 Telephone: (905) 564-9422 Fax: (905) 564-9436  
Visit our website at: [www.taco-hvac.com](http://www.taco-hvac.com)

Printed in USA

Copyright 2006

TACO, Inc.



# Suggested List Prices

## Suction Diffusers For Penn Steel & Buy American Acts

**Supersede: February 04, 2013**

**Effective: July 17, 2014**

### 125 PSI FLANGED UNITS

Model	Connection Size	List Price (\$)	Shipping Wt./Lbs./Kg
PSD020012-1J	2 X 1 1/4	1,454.00	19 (9)
PSD020015-1J	2 x 1 1/2	1,498.00	21 (10)
PSD020020-1J	2 x 2	1,550.00	23 (10)
PSD025020-1J	2 1/2 x 2	1,550.00	32 (15)
PSD030020-1J	3 x 2	1,808.00	45 (20)
PSD025025-1J	2 1/2 x 2 1/2	1,550.00	34 (15)
PSD030025-1J	3 x 2 1/2	1,550.00	46 (21)
PSD030030-1J	3 x 3	2,014.50	47 (21)
PSD040030-1J	4 x 3	2,169.50	71 (32)
PSD040040-1J	4 x 4	2,195.00	73 (33)
PSD050040-1J	5 x 4	2,216.00	96 (44)
PSD060040-1J	6 x 4	3,099.00	132 (60)
PSD050050-1J	5 x 5	2,642.00	101 (46)
PSD060050-1J	6 x 5	3,099.00	136 (62)
PSD060060-1J	6 x 6	3,099.00	139 (63)
PSD080060-1J	8 x 6	3,616.00	166 (75)
PSD080080-1J	8 x 8	5,114.00	249 (113)
PSD100080-1J	10 x 8	6,818.50	276 (125)
PSD120080-1J	12 x 8	9,659.00	412 (187)
PSD100100-1J	10 x 10	6,390.00	422 (191)
PSD120100-1J	12 x 10	7,470.00	491 (223)
PSD140100-1J	14 x 10	8,830.00	507 (130)
PSD120120-1J	12 x 12	8,400.00	573 (260)
PSD140120-1J	14 x 12	10,890.00	601 (273)
PSD160120-1J	16 x 12	11,070.00	660 (299)
PSD140140-1J	14 x 14	12,420.00	706 (320)
PSD160140-1J	16 x 14	12,960.00	750 (340)
PSD160160-1J	16 x 16	12,960.00	820 (372)
PSD180120-1J	18 x 12	Consult Factory	--

### 250 PSI FLANGED UNITS

Model	Connection Size	List Price (\$)	Shipping Wt./Lbs./Kg
PSD020020-1AJ	2 x 2	1,705.00	23 (10)
PSD025020-1AJ	2 1/2 x 2	2,035.50	57 (26)
PSD030020-1AJ	3 x 2	1,911.50	57 (26)
PSD025025-1AJ	2 1/2 x 2 1/2	2,758.50	39 (18)
PSD030025-1AJ	3 x 2 1/2	2,867.00	59 (27)
PSD030030-1AJ	3 x 3	2,066.50	63 (29)
PSD040030-1AJ	4 x 3	2,367.00	79 (36)
PSD040040-1AJ	4 x 4	2,712.00	86 (39)
PSD060040-1AJ	6 x 4	3,926.00	161 (73)
PSD060050-1AJ	6 x 5	4,390.50	165 (75)
PSD060060-1AJ	6 x 6	4,649.00	168 (76)
PSD080060-1AJ	8 x 6	4,933.00	216 (98)
PSD080080-1AJ	8 x 8	7,231.00	317 (144)
PSD100080-1AJ	10 x 8	8,693.50	358 (163)
PSD100100-1AJ	10 x 10	9,940.00	473 (215)
PSD120100-1AJ	12 x 10	13,310.00	524 (237)

### MAGNETIC PLUG (AVAILABLE AS REPLACEMENT PART)

Part Number	NPT Size	Used On	List Price (\$)
386-2402RP	.75"	PSD020012 (2" x 1.25") through PSD030030 (3" X 3")	60.75
386-2401RP	1.0"	PSD040030 (4" X 3") through PSD80060 (8" X 6")	68.05
386-2444RP	1.25"	PSD080080 (8" X 8") through PSD180120 (18" x 12")	TBD
386-2445RP	2.0"	PSD140140 (14" x 14") PSD160140 (16" X 14") PSD160160 (16" X 16")	TBD

**Note: NPT thread sizes also shown on Submittal Data Sheets# 301-302 & 301-303.**

**All pricing subject to change without notice.**

# Suction Diffusers For Penn Steel & Buy American Acts

303-183  
Page 2 of 2

## 125 PSI GROOVED BY FLANGED UNITS

Model	Connection Size	List Price (\$)	Shipping Wt./Lbs./Kg
PSDG020012-1J	2 x 1 1/4	956.00	--
PSDG020015-1J	2 x 1 1/2	868.00	--
PSDG020020-1J	2 x 2	997.00	19 (42)
PSDG025020-1J	2 1/2 x 2	971.00	20 (44)
PSDG030020-1J	3 x 2	1,296.50	38 (84)
PSDG025025-1J	2 1/2 x 2 1/2	1,210.50	22 (49)
PSDG030025-1J	3 x 2 1/2	1,506.00	39 (86)
PSDG030030-1J	3 x 3	1,704.50	40 (88)
PSDG040030-1J	4 x 3	1,767.00	50 (110)
PSDG040040-1J	4 x 4	1,898.00	52 (115)
PSDG060040-1J	6 x 4	2,591.00	106 (234)
PSDG060050-1J	6 x 5	2,648.00	110 (242)
PSDG060060-1J	6 x 6	3,316.50	113 (249)
PSDG080060-1J	8 x 6	3,329.50	137 (302)
PSDG080080-1J	8 x 8	4,017.00	222 (490)
PSDG100080-1J	10 x 8	6,199.00	236 (520)
PSDG100100-1J	10 x 10	10,153.50	343 (756)
PSDG120100-1J	12 x 10	10,437.50	357 (787)
PSDG120120-1J	12 x 12	11,824.00	--

## 250 PSI GROOVED BY FLANGED UNITS

Model	Connection Size	List Price (\$)	Shipping Wt./Lbs./Kg
PSDG020012-1AJ	2 x 1 1/4	1,983.00	--
PSDG020015-1AJ	2 x 1 1/2	1,803.00	--
PSDG020020-1AJ	2 x 2	1,803.00	19 (42)
PSDG025020-1AJ	2 1/2 x 2	2,138.50	20 (44)
PSDG030020-1AJ	3 x 2	3,301.00	38 (84)
PSDG025025-1AJ	2 1/2 x 2 1/2	2,898.00	22 (49)
PSDG030025-1AJ	3 x 2 1/2	3,011.50	39 (86)
PSDG030030-1AJ	3 x 3	3,233.50	40 (88)
PSDG040030-1AJ	4 x 3	1,898.00	50 (110)
PSDG040040-1AJ	4 x 4	1,994.00	52 (115)
PSDG060040-1AJ	6 x 4	3,177.00	106 (234)
PSDG060050-1AJ	6 x 5	3,295.50	110 (242)
PSDG060060-1AJ	6 x 6	3,909.00	113 (249)
PSDG080060-1AJ	8 x 6	4,273.00	137 (302)
PSDG080080-1AJ	8 x 8	6,693.50	222 (490)
PSDG100080-1AJ	10 x 8	6,898.00	236 (520)
PSDG120080-1AJ	12 x 8	12,795.00	--
PSDG100100-1AJ	10 x 10	9,807.00	343 (756)
PSDG120100-1AJ	12 x 10	13,131.00	357 (787)
PSDG120120-1AJ	12 x 12	16,051.50	--

**All pricing subject to change without notice.**

**Do it Once. Do it Right.®**

TACO INC., 1160 Cranston Street, Cranston, RI 02920 Telephone: (401) 942-8000 Fax: (401) 942-2360  
 TACO (Canada), Ltd., 8450 Lawson Road, Milton, Ontario L9T 0J8 Telephone: (905) 564-9422 Fax: (905) 564-9436  
 Visit our website at: [www.taco-hvac.com](http://www.taco-hvac.com)

Printed in USA

Copyright 2006

TACO, Inc.



303-184

# VIRIDIAN Pumps

**Supersedes:** April 16, 2012**Effective:** February 04, 2013**VIRIDIAN**Variable Speed, High Efficiency, Canned Wet-Rotor Circulator  
Cast Iron Casing with Stainless Steel Impeller

MODEL NUMBER	MOTOR HP	ELECTRICAL DATA	ANSI FLANGE SIZE	LIST PRICE (\$)	APPROX. SHIPPING Wt./Lbs.
VR15-1	0.027 - 0.68	110-240V, 47-63Hz, 1 phase, 20-500W	1 1/2"	2,283.00	57
VR20-1	0.035 - 1.088	110-240V, 47-63Hz, 1 phase, 26-800W	2"	2,950.00	71
VR25-2	0.054 - 1.496	200-240V, 47-63Hz, 1 phase, 46-1100W	2 1/2"	3,670.00	82
VR30-2	0.054 - 2.175	200-240V, 47-63Hz, 1 phase, 40-1600W	3"	4,030.00	99

ANSI 125 companion flanges sold separately.

**Do it Once. Do it Right.™**TACO INC., 1160 Cranston Street, Cranston, RI 02920 Telephone: (401) 942-8000 Fax: (401) 942-2360  
TACO (Canada), Ltd., 8450 Lawson Road, Milton, Ontario L9T 0J8 Telephone: (905) 564-9422 Fax: (905) 564-9436  
Visit our website at: [www.taco-hvac.com](http://www.taco-hvac.com)

Printed in USA

Copyright 2011

TACO, Inc.



303-185

# Sensors

Updated: February 6, 2014

Effective: March 30, 2012

## PRESSURE SENSORS

MODEL NUMBER	DESCRIPTION	LIST PRICE (\$)
DPS629-03	Pressure Sensor, 0-25 PSI, 4-20mA	680.00
DPS629-13	Pressure Sensor, 0-25 PSI, 0-5 VDC	680.00
DPS629-23	Pressure Sensor, 0-25 PSI, 0-10 VDC	680.00
▶ DPS629-25	Pressure Sensor, 0-100 PSI, 0-10 VDC	680.00
▶ DPS629-23D	Pressure Sensor, 0-25 PSI, 0-10 VDC w/LED Display	922.00
▶ DPS629-25D	Pressure Sensor, 0-100 PSI, 0-10 VDC w/LED Display	922.00
DPS629-03V	Pressure Sensor w/3-way Valve Manifold, 0-25 PSI, 4-20mA	958.00
DPS629-13V	Pressure Sensor w/3-way Valve Manifold, 0-25 PSI, 0-5 VDC	958.00
DPS629-23V	Pressure Sensor w/3-way Valve Manifold, 0-25 PSI, 0-10 VDC	958.00
▶ DPS629-23DV	Pressure Sensor w/Manifold, 0-25 PSI, 0-10 VDC w/LED Display	1,197.00
▶ DPS629-25DV	Pressure Sensor w/Manifold, 0-100 PSI, 0-10 VDC w/LED Display	1,197.00
DPS3100D-05	Pressure Sensor, 0-100 PSI, 4-20mA	2,274.00
DPS3100D-05D	Pressure Sensor, 0-100 PSI, 4-20mA with LCD Display	2,520.00
DPS3100A-1F	3-way Block Manifold for DPS 3100	439.00



## TEMPERATURE SENSORS

MODEL NUMBER	DESCRIPTION	LIST PRICE (\$)
ACC-BP-TT100	Temperature Sensor, 2-10V DC Output, 0-250° F, BULLET PROBE 1"	150.00
ACC-WS-4-TT100-GB	Temperature Sensor, 2-10V DC Output, 0-250° F, IMMERSION GALVANIZED BOX 4" PROBE	150.00

▶ **New Model Number added**

TACO INC., 1160 Cranston Street, Cranston, RI 02920 Telephone: (401) 942-8000 Fax: (401) 942-2360  
TACO (Canada), Ltd., 8450 Lawson Road, Milton, Ontario L9T 0J8 Telephone: (905) 564-9422 Fax: (905) 564-9436  
Visit our website at: [www.taco-hvac.com](http://www.taco-hvac.com). Printed in USA. Copyright 2007, TACO, Inc.





# Suggested List Prices

303-186

## SmartDRIVE Variable Speed Drives

Supersedes:

Updated: November 13, 2014

Effective: October 1, 2012

Freight Rules.....	2
SmartDRIVE Basic.....	3
SmartDRIVE HVAC Base Drive.....	4
SmartDRIVE HVAC Single Phase.....	5
SmartDRIVE HVAC .....	6-8
SmartDRIVE SP .....	9-11
SmartDRIVE VP .....	12-13
Options and Accessories .....	14-15
Enhanced Service Warranty.....	16
Startup Service.....	17
Taco System Logic.....	18

### Designations

All prices are factory list prices in US\$  
 n/a = Not Available  
 n/c = Standard, no charge

### Policies

All orders are subject to a minimum billing of 50 NET.  
 For information and Discount Schedule, please contact your Taco Representative or the factory.  
 One instruction manual per drive is included.  
 Startup charges are not included in the drive price.

### Frame Ratings by HP

Consult Factory for dimensional information on drives larger than 350 HP.

Frame	Enclosure		HP Range			Base Drive Dimensions (inches)		
	NEMA 1	NEMA 12	208V	460V	575V	Height	Width	Depth
A2	*		0.5-3	0.5-5	n/a	14.6	3.5	8.1
A3	*		5	7.5-10	0.5-10	14.6	5.1	8.1
A5		*	0.5-5	0.5-10		16.5	9.5	7.9
B1	*	*	7.5-10	15-25		18.9	9.5	10.3
			15†	n/a				
B2	*	*	15†	30-40		25.6	9.5	10.3
			20	30-40				
C1	*	*	25-30	50-75		26.8	12.1	12.2
			40†	n/a				
C2	*	*	40†	100-125		30.3	14.6	13.2
			50-60	100-125				
D1	*	*	n/a	150-200	150-250	45.6	16.5	14.7
D2	*	*	n/a	250-350	300-350	60.6	16.5	14.7
ALL	NEMA 3R		ALL					

† In 208V at 15 and 40 HP, the T2 and T3 packages require B2 and C2 frames, respectively. However, the T1 drives for these power sizes are available in the smaller B1 and C1 frames.



TACO INC., 1160 Cranston Street, Cranston, RI 02920 Telephone: (401) 942-8000 Fax: (401) 942-2360  
 TACO (Canada), Ltd., 8450 Lawson Road, Milton, Ontario L9T 0J8 Telephone: (905) 564-9422 Fax: (905) 564-9436  
 Visit our website at: www.taco-hvac.com. Printed in USA. Copyright 2007, TACO, Inc.

## Freight

1. For drives ordered with +TSL Taco System Logic, shipping terms are F.F.A for orders over \$3000 net.
2. For Drop Ship Orders: Drives purchased without +TSL Taco System Logic will be drop shipped from Danfoss. Shipping net prices listed below. Eliminates the need for customers to select a carrier and manage separate freight invoices. Danfoss will select a non-expedited, ground carrier. All shipments are F.O.B. point of shipment. Special enclosures may require additional freight charges.

Frame Size	Net Price (\$)/Unit	Conditions
C1 and smaller (and demonstration unit)	65 NET	48 Adjacent States
	110 NET	AK, HI, & Canada*
C2 through D2	120 NET	48 Adjacent States
	220 NET	AK, HI, & Canada*
E1	550 NET	48 Adjacent States
	1,100 NET	AK, HI, & Canada*

Danfoss will package multiple parts and accessories in a single package when possible.

\* Customs broker fees for Canada: 50 per shipment, G.S.T. additional. Danfoss will select a broker for Canadian shipments. As an alternative, customers may elect to designate a broker and handle the brokerage fees directly.

## SmartDRIVE Basic

"Maximum Drive Output Current" rating of drive must always equal or exceed nameplate full-load amps of motor(s). Supply actual full-load amps (FLA) of motor(s) for proper selection of drive and setting of overload(s).

Includes back plate if required and graphical control panel. All base drives are 100,000 amps short circuit current rated (100kA SCCR).

Included UL Type 1 (separate option kit)



200-240V		
HP (kW)	Max. Output	NEMA 1
0.33 (0.25)	1.5	486.00
0.5 (0.37)	2.2	521.00
1.0 (0.75)	4.2	548.00
2.0 (1.5)	6.8	813.00
3.0 (2.2)	9.6	866.00
5.0 (3.7)	15.2	1,052.00
7.5 (5.5)	22.0	1,299.00
10 (7.5)	28.0	1,564.00
15 (11.0)	42.0	2,104.00
20 (15.0)	59.4	2,890.00
25 (18.5)	74.8	3,670.00
30 (22.0)	88.0	4,380.00
40 (30.0)	115.0	5,510.00
50 (37.0)	143.0	6,260.00
60 (45.0)	170.0	7,460.00
460v		
0.5 (0.37)	1.1	539.00
1.0 (0.75)	2.1	610.00
2.0 (1.5)	3.4	716.00
3.0 (2.2)	4.8	787.00
5.0 (4.0)	8.2	937.00
7.5 (5.5)	11.0	1,069.00
10 (7.5)	14.0	1,290.00
15 (11.0)	21.0	1,723.00
20 (15.0)	27.0	2,174.00
25 (18.5)	34.0	2,800.00
30 (22.0)	40.0	3,300.00
40 (30.0)	52.0	4,450.00
50 (37.0)	65.0	5,620.00
60 (45.0)	77.0	6,510.00
75 (55.0)	106.0	7,290.00
100 (75.0)	130.0	8,840.00
125 (90.0)	160.0	10,710.00
575v		
3.0 (2.2)	3.9	1,087.00
5.0 (4.0)	6.1	1,449.00
7.5 (5.5)	9.0	1,432.00
10 (7.5)	11.0	1,706.00
15 (11.0)	18.4	2,254.00
20 (15.0)	22.0	2,810.00
25 (18.5)	27.0	4,010.00
30 (22.0)	34.0	4,280.00
40 (30.0)	41.0	5,140.00
50 (37.0)	52.0	7,280.00
60 (45.0)	62.0	7,610.00
75 (55.0)	83.0	8,430.00
100 (75.0)	100.0	10,340.00
125 (90.0)	131.0	12,370.00

**SmartDRIVE HVAC Base Drive**

“Maximum Drive Output Current” rating of drive must always equal or exceed nameplate full-load amps of motor(s). Supply actual full-load amps (FLA) of motor(s) for proper selection of drive and setting of overload(s).

Drives and options for 230V applications are also available as standard product. Pricing is the same as for the corresponding HP at 208V. Specify 230V when ordering.

Includes back plate if required and graphical control panel. All base drives are 100,000 amps short circuit current rated (100kA SCCR).



200-240v					Options
HP (kW)	Max. Output	NEMA 1	NEMA 12	NEMA 4X	Taco System Logic* (per drive)
1.5 (1.1)	6.6	993.00	1,290.00	2,146.00	2,550.00
2.0 (1.5)	7.5	1,108.00	1,441.00	2,363.00	2,550.00
3.0 (2.2)	10.6	1,170.00	1,520.00	2,500.00	2,550.00
5.0 (3.7)	16.7	1,391.00	1,808.00	2,810.00	2,550.00
7.5 (5.5)	24.2	1,679.00	2,132.00	3,290.00	3,940.00
10 (7.5)	30.8	2,028.00	2,510.00	3,740.00	3,940.00
15 (11.0)	46.2	2,730.00	3,300.00	4,490.00	3,940.00
20 (15.0)	59.4	3,340.00	3,940.00	5,480.00	3,940.00
25 (18.5)	74.8	4,290.00	4,940.00	6,790.00	3,940.00
30 (22.0)	88.0	5,090.00	5,850.00	8,180.00	3,940.00
40 (30.0)	115.0	6,450.00	7,230.00	10,140.00	4,440.00
50 (37.0)	143.0	7,240.00	8,110.00	11,940.00	4,440.00
60 (45.0)	170.0	8,700.00	9,740.00	14,370.00	4,440.00
460v					
1.5 (1.1)	3.0	923.00	1,202.00	2,210.00	2,550.00
2.0 (1.5)	3.4	988.00	1,287.00	2,344.00	2,550.00
3.0 (2.2)	4.8	1,077.00	1,400.00	2,520.00	2,550.00
5.0 (4.0)	8.2	1,257.00	1,633.00	2,760.00	2,550.00
7.5 (5.5)	11.0	1,414.00	1,838.00	2,960.00	2,550.00
10 (7.5)	14.0	1,679.00	2,132.00	3,290.00	2,550.00
15 (11.0)	21.0	2,185.00	2,710.00	4,170.00	3,940.00
20 (15.0)	27.0	2,750.00	3,330.00	4,830.00	3,940.00
25 (18.5)	34.0	3,550.00	4,190.00	6,040.00	3,940.00
30 (22.0)	40.0	4,200.00	4,830.00	7,190.00	3,940.00
40 (30.0)	52.0	5,090.00	5,850.00	8,450.00	3,940.00
50 (37.0)	65.0	6,460.00	7,230.00	10,830.00	3,940.00
60 (45.0)	77.0	7,540.00	8,450.00	12,560.00	3,940.00
75 (55.0)	106.0	8,440.00	9,450.00	14,130.00	3,940.00
100 (75.0)	130.0	10,250.00	11,480.00	17,150.00	4,440.00
125 (90.0)	160.0	12,310.00	13,790.00	19,720.00	4,440.00
150 (110)	190.0	14,240.00	15,940.00	n/a	4,440.00
200 (132)	240.0	19,450.00	21,780.00	n/a	4,440.00
250 (160)	302.0	25,360.00	28,400.00	n/a	4,440.00
300 (200)	361.0	29,850.00	33,430.00	n/a	4,440.00
350 (250)	443.0	34,720.00	38,890.00	n/a	4,440.00
575v					
1.5 (1.1)	2.4	1,080.00	1,419.00	2,367.00	2,550.00
2.0 (1.5)	2.7	1,137.00	1,478.00	2,492.00	2,550.00
3.0 (2.2)	3.9	1,239.00	1,610.00	2,680.00	2,550.00
5.0 (4.0)	6.1	1,446.00	1,879.00	2,940.00	2,550.00
7.5 (5.5)	9.0	1,626.00	2,114.00	3,170.00	2,550.00
10 (7.5)	11.0	1,930.00	2,452.00	3,540.00	2,550.00
15 (11.0)	18.4	2,510.00	3,120.00	4,500.00	3,940.00
20 (15.0)	22.0	3,160.00	3,830.00	5,240.00	3,940.00
25 (18.5)	27.0	4,090.00	4,820.00	6,570.00	3,940.00
30 (22.0)	34.0	4,830.00	5,550.00	7,820.00	3,940.00
40 (30.0)	41.0	5,850.00	6,620.00	9,220.00	3,940.00
50 (37.0)	52.0	7,430.00	8,320.00	11,660.00	3,940.00
60 (45.0)	62.0	8,680.00	9,720.00	13,870.00	3,940.00
75 (55.0)	83.0	9,710.00	10,870.00	15,540.00	3,940.00
100 (75.0)	100.0	11,780.00	13,200.00	18,690.00	4,440.00
125 (90.0)	131.0	14,150.00	15,850.00	21,630.00	4,440.00
150 (110)	155.0	16,370.00	18,340.00	n/a	4,440.00
200 (132)	192.0	23,280.00	25,610.00	n/a	4,440.00
250 (160)	242.0	27,990.00	30,320.00	n/a	4,440.00
300 (200)	290.0	32,380.00	34,710.00	n/a	4,440.00
350 (250)	344.0	38,080.00	41,350.00	n/a	4,440.00

\* Note: Refer to page 18 for additional requirements for drives selected with Taco System Logic.

## SmartDRIVE HVAC Base Drive – Single Phase

“Maximum Drive Output Current” rating of drive must always equal or exceed nameplate full-load amps of motor(s). Supply actual full-load amps (FLA) of motor(s) for proper selection of drive and setting of overload(s).

Drives and options for 230V applications are also available as standard product. Pricing is the same as for the corresponding HP at 208V. Specify 230V when ordering.

Includes back plate if required and graphical control panel. All base drives are 100,000 amps short circuit current rated (100kA SCCR).

200-240V								Options
HP (kW)	Max. Output	NEMA 1		NEMA 12		NEMA 4X		Taco System Logic* (per drive)
		Base Drive	Mechanical Disconnect	Base Drive	Mechanical Disconnect	Base Drive	Mechanical Disconnect	
1.5 (1.1)	6.6	2,406.00	n/a	2,900.00	3,610.00	3,830.00	4,530.00	2,550.00
2.0 (1.5)	7.5	2,660.00	3,390.00	3,200.00	3,930.00	4,180.00	4,920.00	2,550.00
3.0 (2.2)	10.6	2,790.00	3,540.00	3,390.00	4,130.00	4,340.00	5,080.00	2,550.00
5.0 (3.7)	16.7	3,280.00	4,040.00	4,010.00	4,770.00	5,240.00	6,000.00	2,550.00
7.5 (5.5)	24.2	4,310.00	5,090.00	4,890.00	5,660.00	6,080.00	6,850.00	3,940.00

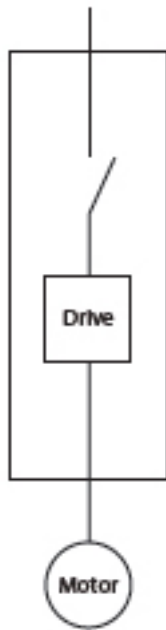


\* Note: Refer to page 18 for additional requirements for drives selected with Taco System Logic.

## SmartDRIVE HVAC with Disconnect or Fused Disconnect

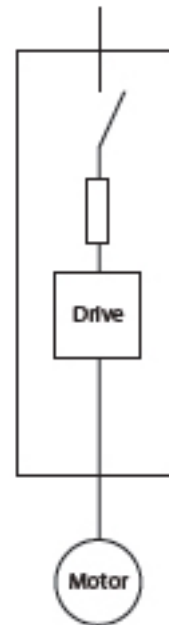
Includes back plate if required and graphical control panel. "Maximum Drive Output Current" rating of drive must always equal or exceed name-plate full-load amps of motor(s). Supply actual full-load amps (FLA) of motor(s) for proper selection of drive and setting of overload(s).

Disconnects and fused disconnects mount below the drive in an extended drive enclosure for A2 and A3 frames (see page 1 for frame sizes). Width will not be increased on these sizes. For all other frame sizes, disconnect and fuses will mount inside the drive enclosure. No additional enclosure is required.



Drive with Input Disconnect Switch

A padlockable, defeatable, two-position rotary switch that allows the input line to the drive to be disconnected. For safety, the switch must be in the OFF position before the enclosure cover can be removed. Includes drive and disconnect switch. For single motor applications only.



Drive with Input Disconnect Switch and Input Fuses

Includes drive, drive fuses, and disconnect switch. For single motor applications only.

**SmartDRIVE HVAC with Disconnect or Fused Disconnect**

HP (kW)	Max. Output Current	NEMA 1		NEMA 12		Options	
		w/ Disconnect	w/ Fused Disconnect	w/ Disconnect	w/ Fused Disconnect	3% AC Line Reactor	Taco System Logic* (per drive)
<b>200-240V</b>							
1.5 (1.1)	6.6	1,725.00	1,787.00	1,930.00	2,001.00	442.00	2,550.00
2.0 (1.5)	7.5	1,925.00	1,994.00	2,155.00	2,234.00	442.00	2,550.00
3.0 (2.2)	10.6	2,031.00	2,104.00	2,275.00	2,356.00	442.00	2,550.00
5.0 (3.7)	16.7	2,282.00	2,365.00	2,560.00	2,650.00	442.00	2,550.00
7.5 (5.5)	24.2	2,431.00	2,520.00	2,720.00	2,820.00	442.00	3,940.00
10 (7.5)	30.8	2,800.00	2,900.00	3,130.00	3,250.00	645.00	3,940.00
15 (11)	46.2	3,500.00	3,630.00	3,920.00	4,070.00	645.00	3,940.00
20 (15)	59.4	4,120.00	4,270.00	4,620.00	4,790.00	734.00	3,940.00
25 (18.5)	74.8	5,180.00	5,370.00	5,800.00	6,010.00	734.00	3,940.00
30 (22)	88.0	6,140.00	6,360.00	6,870.00	7,120.00	734.00	3,940.00
40 (30)	115.0	7,780.00	8,060.00	8,710.00	9,030.00	884.00	4,440.00
50 (37)	143.0	8,590.00	8,910.00	9,630.00	9,980.00	884.00	4,440.00
60 (45)	170.0	10,070.00	10,440.00	11,280.00	11,690.00	1,476.00	4,440.00
<b>460V</b>							
1.5 (1.1)	3.0	1,605.00	1,663.00	1,798.00	1,863.00	442.00	2,550.00
2.0 (1.5)	3.4	1,718.00	1,780.00	1,923.00	1,994.00	442.00	2,550.00
3.0 (2.2)	4.8	1,870.00	1,939.00	2,096.00	2,172.00	442.00	2,550.00
5.0 (4.0)	8.2	2,063.00	2,137.00	2,310.00	2,393.00	442.00	2,550.00
7.5 (5.5)	11.0	2,185.00	2,263.00	2,446.00	2,530.00	442.00	2,550.00
10 (7.5)	14.0	2,431.00	2,520.00	2,720.00	2,820.00	442.00	2,550.00
15 (11)	21.0	2,950.00	3,060.00	3,310.00	3,430.00	645.00	3,940.00
20 (15)	27.0	3,580.00	3,720.00	4,020.00	4,160.00	645.00	3,940.00
25 (18.5)	34.0	4,390.00	4,550.00	4,920.00	5,090.00	734.00	3,940.00
30 (22)	40.0	5,020.00	5,210.00	5,630.00	5,830.00	734.00	3,940.00
40 (30)	52.0	5,890.00	6,100.00	6,600.00	6,840.00	734.00	3,940.00
50 (37)	65.0	7,480.00	7,750.00	8,380.00	8,680.00	884.00	3,940.00
60 (45)	77.0	8,740.00	9,050.00	9,780.00	10,140.00	884.00	3,940.00
75 (55)	106.0	9,770.00	10,130.00	10,950.00	11,340.00	1,476.00	3,940.00
100 (75)	130.0	11,860.00	12,290.00	13,290.00	13,770.00	1,476.00	4,440.00
125 (90)	160.0	14,250.00	14,770.00	15,960.00	16,540.00	2,650.00	4,440.00
150 (110)	190.0	n/a	17,080.00	n/a	19,130.00	2,940.00	4,440.00
200 (132)	240.0	n/a	22,370.00	n/a	25,050.00	3,240.00	4,440.00
250 (160)	302.0	n/a	29,160.00	n/a	32,660.00	3,540.00	4,440.00
300 (200)	361.0	n/a	34,320.00	n/a	38,440.00	3,830.00	4,440.00
350 (250)	443.0	n/a	39,930.00	n/a	44,720.00	4,130.00	4,440.00
<b>575V</b>							
1.5 (1.1)	2.4	1,914.00	1,983.00	2,181.00	2,261.00	442.00	2,550.00
2.0 (1.5)	2.7	1,974.00	2,047.00	2,213.00	2,293.00	442.00	2,550.00
3.0 (2.2)	3.9	2,151.00	2,231.00	2,409.00	2,496.00	442.00	2,550.00
5.0 (4.0)	6.1	2,372.00	2,457.00	2,660.00	2,750.00	442.00	2,550.00
7.5 (5.5)	9.0	2,510.00	2,600.00	2,810.00	2,910.00	442.00	2,550.00
10 (7.5)	11.0	2,790.00	2,900.00	3,130.00	3,240.00	442.00	2,550.00
15 (11)	18.4	3,390.00	3,520.00	3,800.00	3,940.00	645.00	3,940.00
20 (15)	22.0	4,120.00	4,270.00	4,620.00	4,790.00	645.00	3,940.00
25 (18.5)	27.0	5,050.00	5,230.00	5,650.00	5,860.00	734.00	3,940.00
30 (22)	34.0	5,780.00	5,990.00	6,470.00	6,700.00	734.00	3,940.00
40 (30)	41.0	6,770.00	7,020.00	7,590.00	7,860.00	734.00	3,940.00
50 (37)	52.0	8,600.00	8,910.00	9,630.00	9,980.00	884.00	3,940.00
60 (45)	62.0	10,050.00	10,410.00	11,250.00	11,660.00	884.00	3,940.00
75 (55)	83.0	11,240.00	11,650.00	12,590.00	13,050.00	884.00	3,940.00
100 (75)	100.0	13,640.00	14,140.00	15,280.00	15,830.00	1,476.00	4,440.00
125 (90)	131.0	16,390.00	16,980.00	18,360.00	19,020.00	2,650.00	4,440.00
150 (110)	155.0	n/a	19,650.00	n/a	22,000.00	2,960.00	4,440.00
200 (132)	192.0	n/a	25,780.00	n/a	28,700.00	3,240.00	4,440.00
250 (160)	242.0	n/a	30,930.00	n/a	34,440.00	3,240.00	4,440.00
300 (200)	290.0	n/a	35,920.00	n/a	39,420.00	3,540.00	4,440.00
350 (250)	344.0	n/a	42,500.00	n/a	46,940.00	3,830.00	4,440.00

\* Note: Refer to page 18 for additional requirements for drives selected with Taco System Logic.



**SmartDRIVE HVAC with Disconnect or Fused Disconnect**

HP (kW)	Max. Output Current	NEMA 4X		NEMA 3R	Options	
		w/ Disconnect	w/ Fused Disconnect	w/ Fused Disconnect	3% AC Line Reactor	Taco System Logic* (per drive)
<b>200-240V</b>						
1.5 (1.1)	6.6	3,620.00	3,750.00	3,550.00	442.00	2,550.00
2.0 (1.5)	7.5	3,870.00	4,020.00	3,760.00	442.00	2,550.00
3.0 (2.2)	10.6	4,050.00	4,210.00	3,870.00	442.00	2,550.00
5.0 (3.7)	16.7	4,430.00	4,600.00	4,130.00	442.00	2,550.00
7.5 (5.5)	24.2	4,730.00	4,880.00	4,290.00	442.00	3,940.00
10 (7.5)	30.8	5,290.00	5,440.00	4,670.00	645.00	3,940.00
15 (11)	46.2	6,240.00	6,400.00	5,400.00	645.00	3,940.00
20 (15)	59.4	7,360.00	7,530.00	6,220.00	734.00	3,940.00
25 (18.5)	74.8	9,030.00	9,220.00	7,490.00	734.00	3,940.00
30 (22)	88.0	10,520.00	10,740.00	8,480.00	734.00	3,940.00
40 (30)	115.0	14,470.00	14,780.00	n/a	884.00	4,440.00
50 (37)	143.0	18,570.00	18,860.00	n/a	884.00	4,440.00
60 (45)	170.0	23,310.00	23,610.00	n/a	1,476.00	4,440.00
<b>460V</b>						
1.5 (1.1)	3.0	3,490.00	3,620.00	3,430.00	442.00	2,550.00
2.0 (1.5)	3.4	3,650.00	3,790.00	3,550.00	442.00	2,550.00
3.0 (2.2)	4.8	3,860.00	4,010.00	3,710.00	442.00	2,550.00
5.0 (4.0)	8.2	4,120.00	4,270.00	3,900.00	442.00	2,550.00
7.5 (5.5)	11.0	4,290.00	4,440.00	4,030.00	442.00	2,550.00
10 (7.5)	14.0	4,600.00	4,750.00	4,290.00	442.00	2,550.00
15 (11)	21.0	5,200.00	5,350.00	4,830.00	645.00	3,940.00
20 (15)	27.0	5,930.00	6,100.00	5,480.00	645.00	3,940.00
25 (18.5)	34.0	6,880.00	7,050.00	6,320.00	734.00	3,940.00
30 (22)	40.0	7,910.00	8,090.00	7,150.00	734.00	3,940.00
40 (30)	52.0	9,170.00	9,350.00	8,050.00	734.00	3,940.00
50 (37)	65.0	10,840.00	11,590.00	9,870.00	884.00	3,940.00
60 (45)	77.0	13,140.00	13,400.00	11,170.00	884.00	3,940.00
75 (55)	106.0	14,780.00	15,070.00	12,250.00	1,476.00	3,940.00
100 (75)	130.0	19,330.00	19,690.00	n/a	1,476.00	4,440.00
125 (90)	160.0	24,590.00	25,020.00	n/a	2,650.00	4,440.00
150 (110)	190.0	n/a	n/a	n/a	n/a	n/a
200 (132)	240.0	n/a	n/a	n/a	n/a	n/a
250 (160)	302.0	n/a	n/a	n/a	n/a	n/a
300 (200)	361.0	n/a	n/a	n/a	n/a	n/a
350 (250)	443.0	n/a	n/a	n/a	n/a	n/a
<b>575V</b>						
1.5 (1.1)	2.4	3,810.00	3,980.00	3,750.00	442.00	2,550.00
2.0 (1.5)	2.7	3,920.00	4,010.00	3,810.00	442.00	2,550.00
3.0 (2.2)	3.9	4,150.00	4,320.00	4,000.00	442.00	2,550.00
5.0 (4.0)	6.1	4,440.00	4,620.00	4,220.00	442.00	2,550.00
7.5 (5.5)	9.0	4,630.00	4,800.00	4,370.00	442.00	2,550.00
10 (7.5)	11.0	4,980.00	5,140.00	4,660.00	442.00	2,550.00
15 (11)	18.4	5,660.00	5,830.00	5,290.00	645.00	3,940.00
20 (15)	22.0	6,490.00	6,670.00	6,040.00	645.00	3,940.00
25 (18.5)	27.0	7,560.00	7,760.00	7,000.00	734.00	3,940.00
30 (22)	34.0	8,690.00	8,890.00	7,930.00	734.00	3,940.00
40 (30)	41.0	10,090.00	10,270.00	8,960.00	734.00	3,940.00
50 (37)	52.0	12,530.00	12,770.00	11,030.00	884.00	3,940.00
60 (45)	62.0	14,500.00	14,780.00	12,530.00	884.00	3,940.00
75 (55)	83.0	16,290.00	16,600.00	13,770.00	884.00	3,940.00
100 (75)	100.0	20,770.00	21,150.00	n/a	1,476.00	4,440.00
125 (90)	131.0	25,820.00	26,280.00	n/a	2,650.00	4,440.00
150 (110)	155.0	n/a	n/a	n/a	n/a	n/a
200 (132)	192.0	n/a	n/a	n/a	n/a	n/a
250 (160)	242.0	n/a	n/a	n/a	n/a	n/a
300 (200)	290.0	n/a	n/a	n/a	n/a	n/a
350 (250)	344.0	n/a	n/a	n/a	n/a	n/a

\* Note: Refer to page 18 for additional requirements with drives selected with Taco System Logic



### SmartDRIVE SP with Electro-Mechanical Bypass (Side-by-Side)

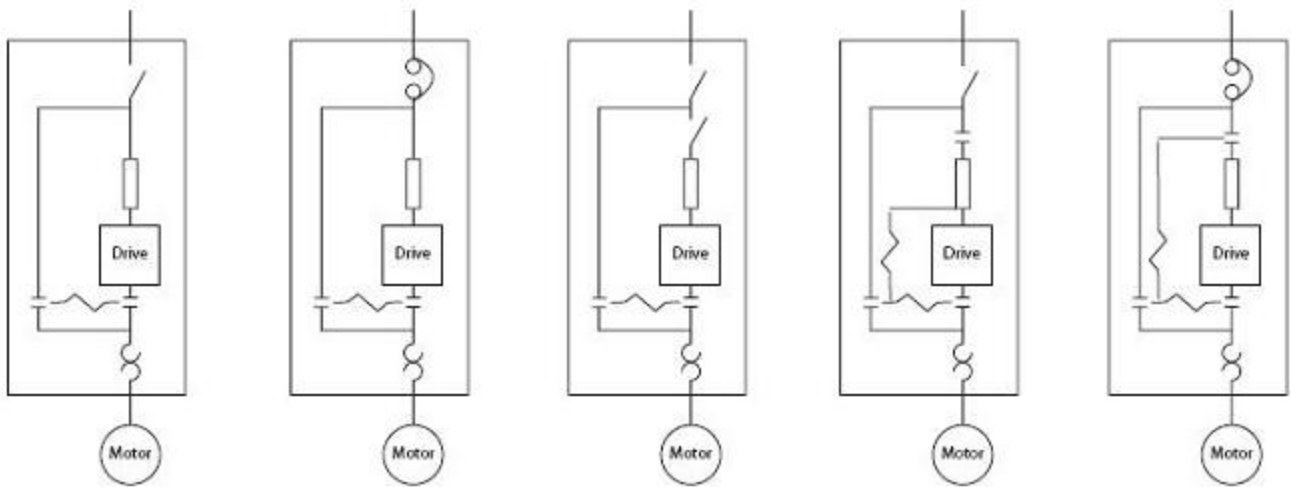
Consists of one motor starter to be used in bypass, interlocked with a drive output contactor, and the associated logic circuitry mounted and wired in the bypass enclosure. A third contactor or drive switch is optional.

An enclosure-mounted Drive/Off/Bypass switch is used to electrically select whether the motor is driven by the drive or connected to the full-speed bypass. A light indicates if bypass has been selected. May be supplied with either an input disconnect switch or an input circuit breaker. Drive fusing is provided. An electro-mechanical overload is provided for motor protection when running in bypass. DC power supply and DC contactors in C1 and smaller frames ensure reliable operation over a broad range of input voltages (see page 1 for frame sizes). Main fusing may be added for units without main circuit breaker.



For A2 and A3 frames, bypasses will be in a special enclosure attached directly to the bottom of the drive. Width will not be increased on these sizes. For all other frames, a second enclosure the same size as the drive enclosure will be mounted directly to the right side of the drive. "Maximum Drive Output Current" rating of drive must always equal or exceed nameplate full-load amps of motor(s). Supply actual full-load amps (FLA) of motor(s) for proper selection of drive and setting of overload(s). See submittal drawings for dimensions and configuration.

*Note: always assume 5kA SCCR unless 100kA option is ordered.*



Two-contactor Bypass with Main Disconnect Switch

Two-contactor Bypass with Main Circuit Breaker

Two-contactor Bypass with Main Disconnect Switch and Drive Disconnect

Three-contactor Bypass with Main Disconnect

Three-contactor Bypass with Main Circuit Breaker

**SmartDRIVE SP with Electro-Mechanical Bypass (Side-by-Side)**

HP (kW)	Max. Output Current	NEMA 1		NEMA 12		Options		
		w/ Main Disc. & Fusing 5kA	w/ Main Fusing & Disc. 100kA	w/ Main Disc. & Fusing 5kA	w/ Main Fusing & Disc. 100kA	3rd Contactor	3% AC Line Reactor	Taco System Logic* (per drive)
<b>200-240V</b>								
1.5 (1.1)	6.6	2,138.00	2,343.00	3,000.00	3,200.00	207.00	457.50	2,550.00
2.0 (1.5)	7.5	2,387.00	2,620.00	3,340.00	3,600.00	230.50	457.50	2,550.00
3.0 (2.2)	10.6	2,520.00	2,760.00	3,530.00	3,770.00	241.50	457.50	2,550.00
5.0 (3.7)	16.7	2,800.00	3,060.00	3,870.00	4,130.00	252.50	457.50	2,550.00
7.5 (5.5)	24.2	2,910.00	3,130.00	3,900.00	4,110.00	216.00	457.50	3,940.00
10 (7.5)	30.8	3,320.00	3,540.00	4,380.00	4,600.00	227.00	668.00	3,940.00
15 (11)	46.2	4,090.00	4,320.00	5,260.00	5,490.00	234.50	668.00	3,940.00
20 (15)	59.4	4,770.00	5,010.00	6,040.00	6,280.00	241.50	760.00	3,940.00
25 (18.5)	74.8	5,950.00	6,220.00	7,470.00	7,750.00	278.50	760.00	3,940.00
30 (22)	88.0	7,900.00	8,230.00	8,850.00	9,180.00	329.50	760.00	3,940.00
40 (30)	115.0	10,020.00	10,440.00	11,220.00	11,640.00	417.50	915.00	4,440.00
50 (37)	143.0	10,950.00	11,380.00	12,260.00	12,690.00	432.00	915.00	4,440.00
60 (45)	170.0	12,610.00	13,060.00	14,120.00	14,580.00	450.50	1,529.00	4,440.00
<b>460V</b>								
1.5 (1.1)	3.0	1,990.00	2,182.00	2,790.00	2,980.00	190.50	457.50	2,550.00
2.0 (1.5)	3.4	2,131.00	2,336.00	2,980.00	3,190.00	205.00	457.50	2,550.00
3.0 (2.2)	4.8	2,320.00	2,540.00	3,250.00	3,470.00	223.50	457.50	2,550.00
5.0 (4.0)	8.2	2,530.00	2,760.00	3,500.00	3,730.00	227.00	457.50	2,550.00
7.5 (5.5)	11.0	2,650.00	2,870.00	3,610.00	3,830.00	219.50	457.50	2,550.00
10 (7.5)	14.0	2,910.00	3,130.00	3,900.00	4,110.00	216.00	457.50	2,550.00
15 (11)	21.0	3,490.00	3,710.00	4,560.00	4,790.00	227.00	668.00	3,940.00
20 (15)	27.0	4,200.00	4,450.00	5,430.00	5,680.00	249.00	668.00	3,940.00
25 (18.5)	34.0	5,070.00	5,330.00	6,430.00	6,690.00	256.50	760.00	3,940.00
30 (22)	40.0	5,760.00	6,020.00	7,210.00	7,470.00	260.00	760.00	3,940.00
40 (30)	52.0	6,690.00	6,950.00	8,260.00	8,520.00	263.50	760.00	3,940.00
50 (37)	65.0	8,490.00	8,830.00	10,490.00	10,820.00	335.00	915.00	3,940.00
60 (45)	77.0	9,920.00	10,310.00	12,250.00	12,640.00	392.00	915.00	3,940.00
75 (55)	106.0	12,240.00	12,670.00	13,710.00	14,140.00	437.50	1,529.00	3,940.00
100 (75)	130.0	14,860.00	15,390.00	16,640.00	17,170.00	531.00	1,529.00	4,440.00
125 (90)	160.0	17,850.00	18,480.00	19,990.00	20,620.00	637.00	2,750.00	4,440.00
150 (110)	190.0	20,640.00	21,380.00	23,120.00	23,860.00	738.00	3,050.00	4,440.00
200 (132)	240.0	28,200.00	29,210.00	31,590.00	32,590.00	1,007.00	3,360.00	4,440.00
250 (160)	302.0	36,760.00	38,080.00	41,180.00	42,490.00	1,313.00	3,660.00	4,440.00
300 (200)	361.0	43,280.00	44,820.00	48,470.00	50,020.00	1,545.00	3,960.00	4,440.00
350 (250)	443.0	50,340.00	52,140.00	56,390.00	58,180.00	1,798.00	4,270.00	4,440.00
<b>575V</b>								
1.5 (1.1)	2.4	2,395.00	2,640.00	3,350.00	3,590.00	236.00	457.50	2,550.00
2.0 (1.5)	2.7	2,450.00	2,690.00	3,430.00	3,670.00	256.50	457.50	2,550.00
3.0 (2.2)	3.9	2,670.00	2,930.00	3,730.00	3,990.00	262.00	457.50	2,550.00
5.0 (4.0)	6.1	2,910.00	3,170.00	4,030.00	4,290.00	251.00	457.50	2,550.00
7.5 (5.5)	9.0	3,050.00	3,300.00	4,150.00	4,400.00	251.00	457.50	2,550.00
10 (7.5)	11.0	3,350.00	3,600.00	4,480.00	4,730.00	260.00	457.50	2,550.00
15 (11)	18.4	4,010.00	4,270.00	5,250.00	5,510.00	287.50	668.00	3,940.00
20 (15)	22.0	4,830.00	5,110.00	6,240.00	6,520.00	296.50	668.00	3,940.00
25 (18.5)	27.0	5,830.00	6,130.00	7,390.00	7,690.00	300.50	760.00	3,940.00
30 (22)	34.0	6,620.00	6,920.00	8,290.00	8,590.00	304.00	760.00	3,940.00
40 (30)	41.0	7,690.00	8,000.00	9,500.00	9,800.00	384.50	760.00	3,940.00
50 (37)	52.0	9,770.00	10,160.00	12,060.00	12,450.00	448.50	915.00	3,940.00
60 (45)	62.0	11,410.00	11,860.00	14,090.00	14,540.00	502.00	915.00	3,940.00
75 (55)	83.0	14,070.00	14,580.00	15,760.00	16,270.00	610.00	915.00	3,940.00
100 (75)	100.0	17,090.00	17,690.00	19,140.00	19,750.00	734.00	1,529.00	4,440.00
125 (90)	131.0	20,520.00	21,260.00	22,990.00	23,720.00	848.00	2,750.00	4,440.00
150 (110)	155.0	23,740.00	24,590.00	26,590.00	27,430.00	868.00	3,070.00	4,440.00
200 (132)	192.0	30,210.00	31,910.00	32,530.00	33,320.00	1,033.00	3,360.00	4,440.00
250 (160)	242.0	36,630.00	39,220.00	42,410.00	45,000.00	1,346.00	3,360.00	4,440.00
300 (200)	290.0	42,230.00	46,170.00	49,930.00	53,860.00	1,584.00	3,660.00	4,440.00
350 (250)	344.0	52,250.00	53,700.00	58,080.00	59,530.00	1,842.00	3,960.00	4,440.00

\* Note: Refer to page 18 for additional requirements with drives selected with Taco System Logic

**SmartDRIVE SP with Electro-Mechanical Bypass (Side-by-Side)**

HP (kW)	Max. Output Current	NEMA 3R		Options		
		w/ Main Disc. & Fusing 5kA	w/ Main Fusing & Disc. 100kA	3rd Contactor	3% AC Line Reactor	Taco System Logic* (per drive)
<b>200-240V</b>						
1.5 (1.1)	6.6	3,970.00	4,030.00	207.00	457.50	2,550.00
2.0 (1.5)	7.5	4,220.00	4,290.00	230.50	457.50	2,550.00
3.0 (2.2)	10.6	4,350.00	4,420.00	241.50	457.50	2,550.00
5.0 (3.7)	16.7	4,630.00	4,710.00	252.50	457.50	2,550.00
7.5 (5.5)	24.2	4,740.00	4,810.00	216.00	457.50	3,940.00
10 (7.5)	30.8	5,150.00	5,220.00	227.00	668.00	3,940.00
15 (11)	46.2	5,920.00	5,990.00	234.50	668.00	3,940.00
20 (15)	59.4	6,780.00	6,850.00	241.50	760.00	3,940.00
25 (18.5)	74.8	8,140.00	8,230.00	278.50	760.00	3,940.00
30 (22)	88.0	10,100.00	10,200.00	329.50	760.00	3,940.00
40 (30)	115.0	n/a	n/a	n/a	n/a	n/a
50 (37)	143.0	n/a	n/a	n/a	n/a	n/a
60 (45)	170.0	n/a	n/a	n/a	n/a	n/a
<b>460V</b>						
1.5 (1.1)	3.0	3,820.00	3,880.00	190.50	457.50	2,550.00
2.0 (1.5)	3.4	3,960.00	4,020.00	205.00	457.50	2,550.00
3.0 (2.2)	4.8	4,150.00	4,220.00	223.50	457.50	2,550.00
5.0 (4.0)	8.2	4,360.00	4,430.00	227.00	457.50	2,550.00
7.5 (5.5)	11.0	4,480.00	4,550.00	219.50	457.50	2,550.00
10 (7.5)	14.0	4,740.00	4,810.00	216.00	457.50	2,550.00
15 (11)	21.0	5,320.00	5,380.00	227.00	668.00	3,940.00
20 (15)	27.0	6,030.00	6,100.00	249.00	668.00	3,940.00
25 (18.5)	34.0	6,900.00	6,980.00	256.50	760.00	3,940.00
30 (22)	40.0	7,770.00	7,850.00	260.00	760.00	3,940.00
40 (30)	52.0	8,710.00	8,780.00	263.50	760.00	3,940.00
50 (37)	65.0	10,690.00	10,790.00	335.00	915.00	3,940.00
60 (45)	77.0	12,120.00	12,240.00	392.00	915.00	3,940.00
75 (55)	106.0	14,440.00	14,570.00	437.50	1,529.00	3,940.00
100 (75)	130.0	n/a	n/a	n/a	n/a	n/a
125 (90)	160.0	n/a	n/a	n/a	n/a	n/a
150 (110)	190.0	n/a	n/a	n/a	n/a	n/a
200 (132)	240.0	n/a	n/a	n/a	n/a	n/a
250 (160)	302.0	n/a	n/a	n/a	n/a	n/a
300 (200)	361.0	n/a	n/a	n/a	n/a	n/a
350 (250)	443.0	n/a	n/a	n/a	n/a	n/a
<b>575V</b>						
1.5 (1.1)	2.4	4,230.00	4,300.00	236.00	457.50	2,550.00
2.0 (1.5)	2.7	4,280.00	4,360.00	256.50	457.50	2,550.00
3.0 (2.2)	3.9	4,500.00	4,580.00	262.00	457.50	2,550.00
5.0 (4.0)	6.1	4,740.00	4,820.00	251.00	457.50	2,550.00
7.5 (5.5)	9.0	4,880.00	4,950.00	251.00	457.50	2,550.00
10 (7.5)	11.0	5,180.00	5,260.00	260.00	457.50	2,550.00
15 (11)	18.4	5,840.00	5,920.00	287.50	668.00	3,940.00
20 (15)	22.0	6,660.00	6,750.00	296.50	668.00	3,940.00
25 (18.5)	27.0	7,660.00	7,750.00	300.50	760.00	3,940.00
30 (22)	34.0	8,630.00	8,720.00	304.00	760.00	3,940.00
40 (30)	41.0	9,710.00	9,820.00	384.50	760.00	3,940.00
50 (37)	52.0	11,970.00	12,100.00	448.50	915.00	3,940.00
60 (45)	62.0	13,610.00	13,760.00	502.00	915.00	3,940.00
75 (55)	83.0	16,270.00	16,450.00	610.00	915.00	3,940.00
100 (75)	100.0	n/a	n/a	n/a	n/a	n/a
125 (90)	131.0	n/a	n/a	n/a	n/a	n/a
150 (110)	155.0	n/a	n/a	n/a	n/a	n/a
200 (132)	192.0	n/a	n/a	n/a	n/a	n/a
250 (160)	242.0	n/a	n/a	n/a	n/a	n/a
300 (200)	290.0	n/a	n/a	n/a	n/a	n/a
350 (250)	344.0	n/a	n/a	n/a	n/a	n/a

\* Note: Refer to page 18 for additional requirements with drives selected with Taco System Logic

**SmartDRIVE VP with Electro-Mechanical Bypass (Vertical)**

Includes back plate if required and graphical control panel. "Maximum Drive Output Current" rating of drive must always equal or exceed nameplate full-load amps of motor(s).

Supply actual full-load amps (FLA) of motor(s) for proper selection of drive and setting of overload(s).

Disconnects and fused disconnects mount below the drive in an extended drive enclosure for A2 and A3 frames. Width will not be increased on these sizes. For all other frame sizes, disconnect and fuses will mount inside the drive enclosure. No additional enclosure is required.



**SmartDRIVE VP with Electro-Mechanical Bypass (Vertical)**

HP (kW)	Max. Output Current	NEMA 1		Options	
		w/ Main Disc. & Fusing 5kA	w/ Main Fusing & Disc. 100kA	3rd Contactor	Taco System Logic* (per drive)
<b>200-240V</b>					
1.5 (1.1)	6.6	2,138.00	2,343.00	207.00	2,550.00
2.0 (1.5)	7.5	2,387.00	2,620.00	230.50	2,550.00
3.0 (2.2)	10.6	2,520.00	2,760.00	241.50	2,550.00
5.0 (3.7)	16.7	2,800.00	3,060.00	252.50	2,550.00
7.5 (5.5)	24.2	2,910.00	3,130.00	incl.	3,940.00
10 (7.5)	30.8	3,320.00	3,540.00	incl.	3,940.00
15 (11)	46.2	4,090.00	4,320.00	incl.	3,940.00
20 (15)	59.4	4,770.00	5,010.00	incl.	3,940.00
25 (18.5)	74.8	5,950.00	6,220.00	incl.	3,940.00
30 (22)	88.0	7,900.00	8,230.00	incl.	3,940.00
40 (30)	115.0	10,020.00	10,440.00	incl.	4,440.00
50 (37)	143.0	10,950.00	11,380.00	incl.	4,440.00
60 (45)	170.0	12,610.00	13,060.00	incl.	4,440.00
<b>460V</b>					
1.5 (1.1)	3.0	1,990.00	2,182.00	190.50	2,550.00
2.0 (1.5)	3.4	2,131.00	2,336.00	205.00	2,550.00
3.0 (2.2)	4.8	2,320.00	2,540.00	223.50	2,550.00
5.0 (4.0)	8.2	2,530.00	2,760.00	227.00	2,550.00
7.5 (5.5)	11.0	2,650.00	2,870.00	219.50	2,550.00
10 (7.5)	14.0	2,910.00	3,130.00	216.00	2,550.00
15 (11)	21.0	3,670.00	4,130.00	incl.	3,940.00
20 (15)	27.0	4,200.00	4,450.00	incl.	3,940.00
25 (18.5)	34.0	5,070.00	5,330.00	incl.	3,940.00
30 (22)	40.0	5,760.00	6,020.00	incl.	3,940.00
40 (30)	52.0	6,690.00	6,950.00	incl.	3,940.00
50 (37)	65.0	8,490.00	8,830.00	incl.	3,940.00
60 (45)	77.0	9,920.00	10,310.00	incl.	3,940.00
75 (55)	106.0	12,240.00	12,670.00	incl.	3,940.00
100 (75)	130.0	14,860.00	15,390.00	incl.	4,440.00
125 (90)	160.0	17,850.00	18,480.00	incl.	4,440.00
<b>575V</b>					
1.5 (1.1)	2.4	2,395.00	2,640.00	236.00	2,550.00
2.0 (1.5)	2.7	2,450.00	2,690.00	256.50	2,550.00
3.0 (2.2)	3.9	2,670.00	2,930.00	262.00	2,550.00
5.0 (4.0)	6.1	2,910.00	3,170.00	251.00	2,550.00
7.5 (5.5)	9.0	3,050.00	3,300.00	251.00	2,550.00
10 (7.5)	11.0	3,350.00	3,600.00	260.00	2,550.00
15 (11)	18.4	4,010.00	4,270.00	incl.	3,940.00
20 (15)	22.0	4,830.00	5,110.00	incl.	3,940.00
25 (18.5)	27.0	5,830.00	6,130.00	incl.	3,940.00
30 (22)	34.0	6,620.00	6,920.00	incl.	3,940.00
40 (30)	41.0	7,690.00	8,000.00	incl.	3,940.00
50 (37)	52.0	9,770.00	10,160.00	incl.	3,940.00
60 (45)	62.0	11,410.00	11,860.00	incl.	3,940.00
75 (55)	83.0	14,070.00	14,580.00	incl.	3,940.00
100 (75)	100.0	17,090.00	17,690.00	incl.	4,440.00
125 (90)	131.0	20,520.00	21,260.00	incl.	4,440.00

\* Note: Refer to page 18 for additional requirements with drives selected with Taco System Logic

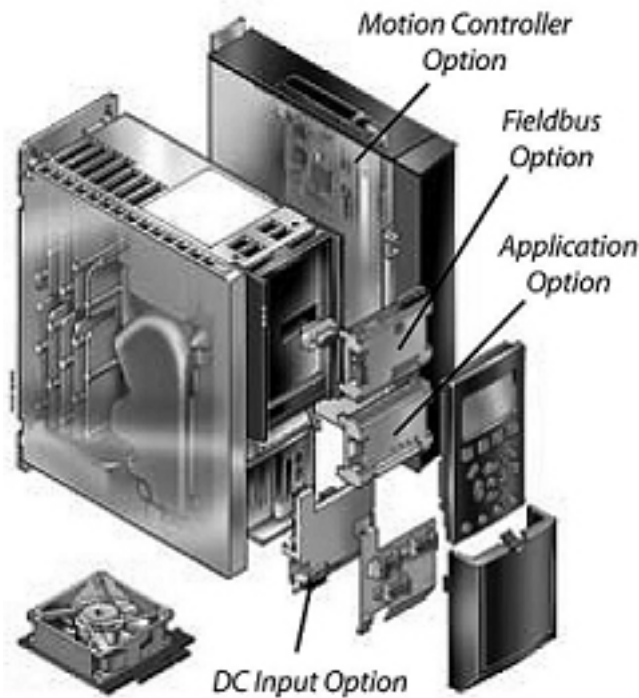
### SmartDRIVE Options and Accessories

#### Option Cards

Pluggable, field-installable option cards allow the capabilities of the SmartDRIVE HVAC, HVAC Single Phase, SP and VP to be easily expanded. The drive's built-in intelligence senses the added capabilities when the drive is initialized and unlocks the relevant parameters in its menu structure. The user can then choose to accept each new parameter's default value or program a new parameter value. Option cards may be either ordered with a drive for factory installation or ordered subsequently for shipment loose.

#### Option A Communication Card

Optional cards are available for the following protocols. One Option "A" Communication Card may be used per drive.



#### LonWorks®

Allows the standard drive to communicate on a LonWorks Free Topology network at 78 kbps. Card is certified as compliant with LonWorks 3.4 specifications.

LonWorks	DDA130B1106	415.50
----------	-------------	--------

#### Additional Option Cards

Profibus	DDA130B1100	371.00
Device Net	DDA130B1102	282.00
Ethernet IP	DDA130B1119	757.00
Modbus TCP	DDA130B1196	757.00

#### Serial Communications

#### Modbus® RTU, JCI Metasys® N2 and Siemens Apogee FLN P1

The software for BACnet, Modbus® RTU, Johnson Controls Metasys N2 and Siemens Apogee FLN P1 protocols is incorporated in the standard drive. No protocol board is required.

BACnet	STANDARD
Modbus® RTU	STANDARD
Johnson Controls Metasys® N2	STANDARD
Siemens Apogee FLN P1	STANDARD

### SmartDRIVE Options and Accessories (cont.)

#### Option B Input/Output Cards

Optional cards are available for expanding the inputs, outputs and other capabilities of the drive. One Option "B" Card may be installed per drive.



#### General Purpose Input/Output

This card provides the following inputs and outputs in addition to those in the standard drive.

- 3 digital inputs
- 2 digital outputs
- 2 analog voltage inputs
- 1 analog current output

MCB 101	DDA130B1125	259.50
---------	-------------	--------

#### Relay Card

This card provides three additional Form C relays in addition to the two in the standard drive.

Rating: 240 V AC, 2 A

MCB 105	DDA130B1110	259.50
---------	-------------	--------

#### Analog Input/Output

This card provides the following inputs and outputs in addition to the two in the standard drive.

- 3 analog inputs, individually configurable as either voltage or temperature for use with PT1000 or NI1000 temperature input
- 3 analog voltage outputs
- Battery backup for standard real-time clock.

MCB 109	DDA130B1143	296.50
---------	-------------	--------

#### Option D Power Interface Card Provision for 24 V DC Supply



This card provides the ability to connect to an external DC supply to keep the control section and any installed option card active when the drive is disconnected from the power line.

Input current: 24 V DC ± 15%

Maximum input current draw: 2.2 A

This MCB 107 card installs in the drive's option D card location.

MCB 107	DDA130B1108	156.00
---------	-------------	--------

## SmartDRIVE Enhanced Service Warranty

### Available for:

- SmartDRIVE HVAC
- All types of Engineered Drive Systems panels, with or without drives, soft starters or harmonic filters

The Enhanced Service Warranty upgrades the standard warranty by covering travel cost to the customer site. Coverage begins on the date of shipment and extends to the end of the contract period\*. See the warranty statement for additional information regarding coverage.

In the event the covered drive fails during the Enhanced Service Warranty period, the drive will be repaired or replaced at Taco's discretion, at the customer site. Pricing applies to contracts purchased prior to drive shipment. Consult the factory for post-warranty Service Contract pricing. Pricing applies only for drives installed in the 48 adjacent states; Oahu, Hawaii; Anchorage, Alaska; and Canada.

\* Under this program, the standard warranty of 18 months is extended to the length of term selected from the tables to the right.

Total Coverage from Date of Shipment						
Frame	2 Year	3 Year	4 Year	5 Year	6 Year	
A	DDEWH124	DDEWH136	DDEWH148	DDEWH160	DDEWH172	Order Number
	101.00	179.00	264.50	350.00	435.50	List Price per Drive
B	DDEWH224	DDEWH236	DDEWH248	DDEWH260	DDEWH272	Order Number
	132.00	233.50	358.00	482.00	607.00	List Price per Drive
C	DDEWH324	DDEWH336	DDEWH348	DDEWH360	DDEWH372	Order Number
	186.50	334.50	513.00	700.00	887.00	List Price per Drive
D	DDEWH424	DDEWH436	DDEWH448	DDEWH460	DDEWH472	Order Number
	288.00	537.00	848.00	1,159.00	1,478.00	List Price per Drive
E	DDEWH524	DDEWH536	DDEWH548	DDEWH560	DDEWH572	Order Number
	762.00	1,509.00	2,473.00	3,420.00	4,380.00	List Price per Drive



### SmartDRIVE Startup Service

Startup services are performed by authorized Danfoss service partner organizations. Danfoss DrivePro-certified technicians inspect the drive and installation, and perform a function test of the drive.

**Startup price is per drive per ONE trip to the job site.**

Additional visits (DDSUMH1700) can be purchased from Taco if required. 2 hours travel time is included in startup price. Danfoss Technical Support must be contacted at 1-800-432-6367 to determine if additional travel time is needed. Travel beyond 2 hours will be billed at a standard hourly rate (DDSUHFRA). If it is not covered in the initial startup purchase it will be billed to you after the fact. Additional travel time (DDSUHFRA) can be purchased in 1 hour increments from Taco as needed.

Startup does not include technical support for system integration, such as PLC programming or serial communications confirmation. Wire terminations are to be completed, but no power is to be applied to the drive prior to startup service inspection by Danfoss authorized personnel. Application of power to the drive prior to our serviced could result in damage if problems exist. Repair or this damage is not included in startup services and would result in additional service charges. Severe damages to a drive may prevent the completion of startup services, and could affect the warranty of the drive. Trip charges will still apply for time spent on the job site. Interconnections between Danfoss drive and Danfoss bypass enclosures on drives over 300 HP (over 200kW) or non-Danfoss supplied equipment is not included in startup rates.

**DDSUMH1700**

List price: \$937.00

For frame sizes A to E, either ordered with the drive or "on demand (Post drive order)" and applies to any type drive configuration.

Price is for ONE TRIP to the job site and includes any quantity of Taco SmartDrives on the job site.

**DDSUHFRA**

List price: \$322.00 per hour

One (1) Additional Travel Hour

Startup must have been purchased for this to apply

Startup Service Items		
Part Number	Description	List Price (\$)
DDSUMH1700	Startup per drive per trip	937.00 per trip
DDSUHFRA	*Additional Travel Hours	322.00 per hour
*Please note: includes one (1) hour of travel time. Startup DDSUMH1700 must have been purchased for this to apply.		



## Taco System Logic Overview

Taco System Logic is ideal for controlling HVAC applications using Delta P, Delta T, or domestic water boosters. TSL controls the variable speed drive to optimize pump performance. Setpoints and controls are programmed at our factory to allow our pumps to run at much lower pressures than most industry professionals would consider. In addition, Taco Fault Tolerant Control maintains control even when the feedback signal wire is compromised. Pumping at much lower speeds will consume substantially less energy and require less maintenance.

When adding +TSL to any project requiring 3 pumps to run in parallel the CRB will be required for the drives to communicate between each other. For projects with just 2 pumps running in parallel, the drives will need the CRH to communicate. For sensor options, please refer to our sensor price sheet 303-185.

So along with peace of mind, you get superior efficiency, responsive comfort and reduced life cycle costs all in one neat package.

## Taco System Logic Startup Service

Factory Start-Up Assistance - provides experienced personnel to assist in preparing the Smart Drive with TSL for operation, configuring the SmartDrive based on the specified sequence, checking the operation of the Taco System Logic controls per the specified sequence, and to complete a start-up report, if provided. The focus of the start-up is on the actual SmartDrive. Factory Start-up does not include the start-up or troubleshooting of any non-SmartDrive device. List Price shown reflects a per day rate and does not include travel expenses. Travel expenses are reimbursable at actual cost.

**Item: DDSUTSL**

**List Price: \$3,470.00 per trip**

## Taco System Logic - Control Relay

Item	Drives	Description	List Price
CRB	3	Control Relay Box	6,010.00
CRH	2	Control Relay Harness 9-ft long Conduit	900.00
CRH	2	Control Relay Harness 15-ft long Conduit	1,038.00



**TACO INC.**, 1160 Cranston Street, Cranston, RI 02920 Telephone: (401) 942-8000 Fax: (401) 942-2360  
**TACO (Canada), Ltd.**, 8450 Lawson Road, Milton, Ontario L9T 0J8 Telephone: (905) 564-9422 Fax: (905) 564-9436  
 Visit our website at: [www.taco-hvac.com](http://www.taco-hvac.com). Printed in USA. Copyright 2007, TACO, Inc.

## Freight

1. For drives ordered with +TSL Taco System Logic, shipping terms are F.F.A for orders over \$3000 net.

2. For Drop Ship Orders:

Drives purchased without +TSL Taco System Logic will be drop shipped from Danfoss. Shipping net prices listed below. Eliminates the need for customers to select a carrier and manage separate freight invoices. Danfoss will select a non-expedited, ground carrier. All shipments are F.O.B. point of shipment. Special enclosures may require additional freight charges.

Frame Size	Net Price (\$)/Unit	Conditions
C1 and smaller (and demonstration unit)	65 NET	48 Adjacent States
	110 NET	AK, HI, & Canada*
C2 through D2	120 NET	48 Adjacent States
	220 NET	AK, HI, & Canada*
E1	550 NET	48 Adjacent States
	1,100 NET	AK, HI, & Canada*

Danfoss will package multiple parts and accessories in a single package when possible.

\* Customs broker fees for Canada: 50 per shipment, G.S.T. additional. Danfoss will select a broker for Canadian shipments. As an alternative, customers may elect to designate a broker and handle the brokerage fees directly.

## Frame Ratings by HP

Consult Factory for dimensional information on drives larger than 350 HP.

Frame	Enclosure		HP Range			Base Drive Dimensions (inches)		
	NEMA 1	NEMA 12	208V	460V	575	Height	Width	Depth
A2	Avail.	N/A	0.5-3	0.5-5	Avail.	14.6	3.5	8.1
A3	Avail.	N/A	5	7.5-10	0.5-10	14.6	5.1	8.1
A5	N/A	Avail.	0.5-5	0.5-10		16.5	9.5	7.9
B1	Avail.	Avail.	7.5-10	15-25		18.9	9.5	10.3
			15+	Avail.				
B2	Avail.	Avail.	15+	30-40		25.6	9.5	10.3
			20	30-40				
C1	Avail.	Avail.	25-30	50-75		26.8	12.1	12.2
			40+	Avail.				
C2	Avail.	Avail.	40+	100-125		30.3	14.6	13.2
			50-60	100-125				
D1	Avail.	Avail.	Avail.	150-200	150-250	45.6	16.5	14.7
D2	Avail.	Avail.	Avail.	250-350	300-350	60.6	16.5	14.7
ALL	NEMA 3R		ALL					



**TACO INC.**, 1160 Cranston Street, Cranston, RI 02920 Telephone: (401) 942-8000 Fax: (401) 942-2360  
**TACO (Canada), Ltd.**, 8450 Lawson Road, Milton, Ontario L9T 0J8 Telephone: (905) 564-9422 Fax: (905) 564-9436  
 Visit our website at: [www.taco-hvac.com](http://www.taco-hvac.com). Printed in USA. Copyright 2007, TACO, Inc.

**Designations**

Avail. = Available with pump configuration on buyTaco

N/A = Not Available

N/C = Standard, no charge

**Policies**

All orders are subject to a minimum billing of \$50 Net. For information and Discount Schedule, please contact your Taco Representative or the factory.

One instruction manual per drive is included.

Startup charges are not included in the drive price.

† In 208V at 15 and 40 HP, the T2 and T3 packages require B2 and C2 frames, respectively. However, the T1 drives for these power sizes are available in the smaller B1 and C1 frames.



**TACO INC.**, 1160 Cranston Street, Cranston, RI 02920 Telephone: (401) 942-8000 Fax: (401) 942-2360  
**TACO (Canada), Ltd.**, 8450 Lawson Road, Milton, Ontario L9T 0J8 Telephone: (905) 564-9422 Fax: (905) 564-9436  
Visit our website at: [www.taco-hvac.com](http://www.taco-hvac.com). Printed in USA. Copyright 2007, TACO, Inc.



## Fact Sheet

# SmartDRIVE Variable Speed Drives

Updated: October 21, 2013

Effective: October 1, 2012

► Freight Rules.....	2
SmartDRIVE Basic.....	3
SmartDRIVE HVAC Base Drive.....	4
SmartDRIVE HVAC Single Phase.....	5
SmartDRIVE HVAC .....	6-7
SmartDRIVE SP .....	8-9
SmartDRIVE VP .....	10-11

### Designations

Avail. = Available with pump configuration on buyTaco.  
N/A = Not Available  
N/C = Standard, no charge

### Policies

All orders are subject to a minimum billing of \$50 Net.  
For information and Discount Schedule, please contact your Taco Representative or the factory.

One instruction manual per drive is included.

Startup charges are not included in the drive price.

### Frame Ratings by HP

Consult Factory for dimensional information on drives larger than 350 HP.

Frame	Enclosure		HP Range			Base Drive Dimensions (inches)		
	NEMA 1	NEMA 12	208V	460V	575V	Height	Width	Depth
A2	Avail.	N/A	0.5-3	0.5-5	Avail.	14.6	3.5	8.1
A3	Avail.	N/A	5	7.5-10	0.5-10	14.6	5.1	8.1
A5	N/A	Avail.	0.5-5	0.5-10		16.5	9.5	7.9
B1	Avail.	Avail.	7.5-10	15-25		18.9	9.5	10.3
			15†	Avail.				
B2	Avail.	Avail.	15†	30-40		25.6	9.5	10.3
			20	30-40				
C1	Avail.	Avail.	25-30	50-75		26.8	12.1	12.2
			40†	Avail.				
C2	Avail.	Avail.	40†	100-125		30.3	14.6	13.2
			50-60	100-125				
D1	Avail.	Avail.	Avail.	150-200	150-250	45.6	16.5	14.7
D2	Avail.	Avail.	Avail.	250-350	300-350	60.6	16.5	14.7
ALL	NEMA 3R		ALL					

† In 208V at 15 and 40 HP, the T2 and T3 packages require B2 and C2 frames, respectively. However, the T1 drives for these power sizes are available in the smaller B1 and C1 frames.

► Page numbers have changed.





## Freight

1. For drives ordered with +TSL Taco System Logic, shipping terms are F.F.A for orders over \$3000 net.
2. For Drop Ship Orders: Drives purchased without +TSL Taco System Logic will be drop shipped from Danfoss. Shipping net prices listed below. Eliminates the need for customers to select a carrier and manage separate freight invoices. Danfoss will select a non-expedited, ground carrier. All shipments are F.O.B. point of shipment. Special enclosures may require additional freight charges.

Frame Size	Net Price (\$)/Unit	Conditions
C1 and smaller (and demonstration unit)	65 NET	48 Adjacent States
	110 NET	AK, HI, & Canada*
C2 through D2	120 NET	48 Adjacent States
	220 NET	AK, HI, & Canada*
E1	550 NET	48 Adjacent States
	1,100 NET	AK, HI, & Canada*

Danfoss will package multiple parts and accessories in a single package when possible.

\* Customs broker fees for Canada: 50 per shipment, G.S.T. additional. Danfoss will select a broker for Canadian shipments. As an alternative, customers may elect to designate a broker and handle the brokerage fees directly.

### SmartDRIVE Basic

“Maximum Drive Output Current” rating of drive must always equal or exceed nameplate full-load amps of motor(s). Supply actual full-load amps (FLA) of motor(s) for proper selection of drive and setting of overload(s).

Includes back plate if required and graphical control panel. All base drives are 100,000 amps short circuit current rated (100kA SCCR).

Included UL Type 1 (separate option kit)



200-240V			
HP	kW	Max. Output	NEMA 1
0.33	0.25	1.5	Avail.
0.5	0.37	2.2	Avail.
1.0	0.75	4.2	Avail.
2.0	1.5	6.8	Avail.
3.0	2.2	9.6	Avail.
5.0	3.7	15.2	Avail.
7.5	5.5	22.0	Avail.
10	7.5	28.0	Avail.
15	11.0	42.0	Avail.
20	15.0	59.4	Avail.
25	18.5	74.8	Avail.
30	22.0	88.0	Avail.
40	30.0	115.0	Avail.
50	37.0	143.0	Avail.
60	45.0	170.0	Avail.
A460vA			
0.5	0.37	1.1	Avail.
1.0	0.75	2.1	Avail.
2.0	1.5	3.4	Avail.
3.0	2.2	4.8	Avail.
5.0	4.0	8.2	Avail.
7.5	5.5	11.0	Avail.
10	7.5	14.0	Avail.
15	11.0	21.0	Avail.
20	15.0	27.0	Avail.
25	18.5	34.0	Avail.
30	22.0	40.0	Avail.
40	30.0	52.0	Avail.
50	37.0	65.0	Avail.
60	45.0	77.0	Avail.
75	55.0	106.0	Avail.
100	75.0	130.0	Avail.
125	90.0	160.0	Avail.
575v			
3.0	2.2	3.9	Avail.
5.0	4.0	6.1	Avail.
7.5	5.5	9.0	Avail.
10	7.5	11.0	Avail.
15	11.0	18.4	Avail.
20	15.0	22.0	Avail.
25	18.5	27.0	Avail.
30	22.0	34.0	Avail.
40	30.0	41.0	Avail.
50	37.0	52.0	Avail.
60	45.0	62.0	Avail.
75	55.0	83.0	Avail.
100	75.0	100.0	Avail.
125	90.0	131.0	Avail.

### SmartDRIVE HVAC Base Drive

“Maximum Drive Output Current” rating of drive must always equal or exceed nameplate full-load amps of motor(s). Supply actual full-load amps (FLA) of motor(s) for proper selection of drive and setting of overload(s).

Drives and options for 230V applications are also available as standard product. Pricing is the same as for the corresponding HP at 208V. Specify 230V when ordering.

Includes back plate if required and graphical control panel. All base drives are 100,000 amps short circuit current rated (100kA SCCR).



200-240v				
HP	kW	Max. Output	NEMA 1	NEMA 12
1.5	1.1	6.6	Avail.	Avail.
2.0	1.5	7.5	Avail.	Avail.
3.0	2.2	10.6	Avail.	Avail.
5.0	3.7	16.7	Avail.	Avail.
7.5	5.5	24.2	Avail.	Avail.
10	7.5	30.8	Avail.	Avail.
15	11.0	46.2	Avail.	Avail.
20	15.0	59.4	Avail.	Avail.
25	18.5	74.8	Avail.	Avail.
30	22.0	88.0	Avail.	Avail.
40	30.0	115.0	Avail.	Avail.
50	37.0	143.0	Avail.	Avail.
60	45.0	170.0	Avail.	Avail.
460v				
1.5	1.1	3.0	Avail.	Avail.
2.0	1.5	3.4	Avail.	Avail.
3.0	2.2	4.8	Avail.	Avail.
5.0	4.0	8.2	Avail.	Avail.
7.5	5.5	11.0	Avail.	Avail.
10	7.5	14.0	Avail.	Avail.
15	11.0	21.0	Avail.	Avail.
20	15.0	27.0	Avail.	Avail.
25	18.5	34.0	Avail.	Avail.
30	22.0	40.0	Avail.	Avail.
40	30.0	52.0	Avail.	Avail.
50	37.0	65.0	Avail.	Avail.
60	45.0	77.0	Avail.	Avail.
75	55.0	106.0	Avail.	Avail.
100	75.0	130.0	Avail.	Avail.
125	90.0	160.0	Avail.	Avail.
150	110.0	190.0	Avail.	Avail.
200	132.0	240.0	Avail.	Avail.
250	160.0	302.0	Avail.	Avail.
300	200.0	361.0	Avail.	Avail.
350	250.0	443.0	Avail.	Avail.
575v				
1.5	1.1	2.4	Avail.	Avail.
2.0	1.5	2.7	Avail.	Avail.
3.0	2.2	3.9	Avail.	Avail.
5.0	4.0	6.1	Avail.	Avail.
7.5	5.5	9.0	Avail.	Avail.
10	7.5	11.0	Avail.	Avail.
15	11.0	18.4	Avail.	Avail.
20	15.0	22.0	Avail.	Avail.
25	18.5	27.0	Avail.	Avail.
30	22.0	34.0	Avail.	Avail.
40	30.0	41.0	Avail.	Avail.
50	37.0	52.0	Avail.	Avail.
60	45.0	62.0	Avail.	Avail.
75	55.0	83.0	Avail.	Avail.
100	75.0	100.0	Avail.	Avail.
125	90.0	131.0	Avail.	Avail.
150	110.0	155.0	Avail.	Avail.
200	132.0	192.0	Avail.	Avail.
250	160.0	242.0	Avail.	Avail.
300	200.0	290.0	Avail.	Avail.
350	250.0	344.0	Avail.	Avail.



## SmartDRIVE HVAC Base Drive – Single Phase

“Maximum Drive Output Current” rating of drive must always equal or exceed nameplate full-load amps of motor(s). Supply actual full-load amps (FLA) of motor(s) for proper selection of drive and setting of overload(s).

Drives and options for 230V applications are also available as standard product. Pricing is the same as for the corresponding HP at 208V. Specify 230V when ordering.

Includes back plate if required and graphical control panel. All base drives are 100,000 amps short circuit current rated (100kA SCCR).

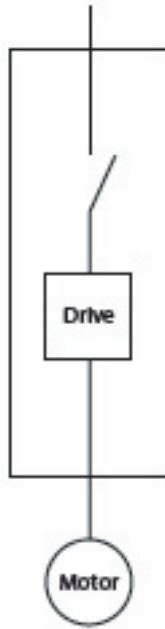
200-240V			
HP	kW	Max. Output	NEMA 1
1.5	1.1	6.6	Avail.
2.0	1.5	7.5	Avail.
3.0	2.2	10.6	Avail.
5.0	3.7	16.7	Avail.
7.5	5.5	24.2	Avail.
10	7.5	30.8	Avail.



## SmartDRIVE HVAC with Disconnect or Fused Disconnect

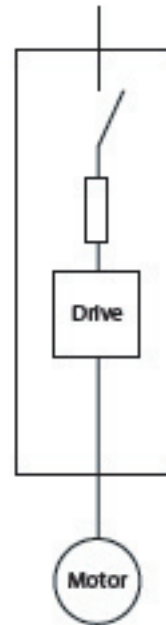
Includes back plate if required and graphical control panel. "Maximum Drive Output Current" rating of drive must always equal or exceed name-plate full-load amps of motor(s). Supply actual full-load amps (FLA) of motor(s) for proper selection of drive and setting of overload(s).

Disconnects and fused disconnects mount below the drive in an extended drive enclosure for A2 and A3 frames (see page 1 for frame sizes). Width will not be increased on these sizes. For all other frame sizes, disconnect and fuses will mount inside the drive enclosure. No additional enclosure is required.



Drive with Input Disconnect Switch

A padlockable, defeatable, two-position rotary switch that allows the input line to the drive to be disconnected. For safety, the switch must be in the OFF position before the enclosure cover can be removed. Includes drive and disconnect switch. For single motor applications only.



Drive with Input Disconnect Switch and Input Fuses

Includes drive, drive fuses, and disconnect switch. For single motor applications only.

**SmartDRIVE HVAC with Disconnect or Fused Disconnect**

HP (kW)	Max. Output Current	NEMA 1		NEMA 12		NEMA 3R	Options
		w/ Disconnect	w/ Fused Disconnect	w/ Disconnect	w/ Fused Disconnect	w/ Fused Disconnect	3% AC Line Reactor
<b>200-240V</b>							
1.5 (1.1)	6.6	Avail.	Avail.	Avail.	Avail.	Avail.	Avail.
2.0 (1.5)	7.5	Avail.	Avail.	Avail.	Avail.	Avail.	Avail.
3.0 (2.2)	10.6	Avail.	Avail.	Avail.	Avail.	Avail.	Avail.
5.0 (3.7)	16.7	Avail.	Avail.	Avail.	Avail.	Avail.	Avail.
7.5 (5.5)	24.2	Avail.	Avail.	Avail.	Avail.	Avail.	Avail.
10 (7.5)	30.8	Avail.	Avail.	Avail.	Avail.	Avail.	Avail.
15 (11)	46.2	Avail.	Avail.	Avail.	Avail.	Avail.	Avail.
20 (15)	59.4	Avail.	Avail.	Avail.	Avail.	Avail.	Avail.
25 (18.5)	74.8	Avail.	Avail.	Avail.	Avail.	Avail.	Avail.
30 (22)	88.0	Avail.	Avail.	Avail.	Avail.	Avail.	Avail.
40 (30)	115.0	Avail.	Avail.	Avail.	Avail.	N/A	Avail.
50 (37)	143.0	Avail.	Avail.	Avail.	Avail.	N/A	Avail.
60 (45)	170.0	Avail.	Avail.	Avail.	Avail.	N/A	Avail.
<b>460V</b>							
1.5 (1.1)	3.0	Avail.	Avail.	Avail.	Avail.	Avail.	Avail.
2.0 (1.5)	3.4	Avail.	Avail.	Avail.	Avail.	Avail.	Avail.
3.0 (2.2)	4.8	Avail.	Avail.	Avail.	Avail.	Avail.	Avail.
5.0 (4.0)	8.2	Avail.	Avail.	Avail.	Avail.	Avail.	Avail.
7.5 (5.5)	11.0	Avail.	Avail.	Avail.	Avail.	Avail.	Avail.
10 (7.5)	14.0	Avail.	Avail.	Avail.	Avail.	Avail.	Avail.
15 (11)	21.0	Avail.	Avail.	Avail.	Avail.	Avail.	Avail.
20 (15)	27.0	Avail.	Avail.	Avail.	Avail.	Avail.	Avail.
25 (18.5)	34.0	Avail.	Avail.	Avail.	Avail.	Avail.	Avail.
30 (22)	40.0	Avail.	Avail.	Avail.	Avail.	Avail.	Avail.
40 (30)	52.0	Avail.	Avail.	Avail.	Avail.	Avail.	Avail.
50 (37)	65.0	Avail.	Avail.	Avail.	Avail.	Avail.	Avail.
60 (45)	77.0	Avail.	Avail.	Avail.	Avail.	Avail.	Avail.
75 (55)	106.0	Avail.	Avail.	Avail.	Avail.	Avail.	Avail.
100 (75)	130.0	Avail.	Avail.	Avail.	Avail.	N/A	Avail.
125 (90)	160.0	Avail.	Avail.	Avail.	Avail.	N/A	Avail.
150 (110)	190.0	N/A	Avail.	N/A	Avail.	N/A	Avail.
200 (132)	240.0	N/A	Avail.	N/A	Avail.	N/A	Avail.
250 (160)	302.0	N/A	Avail.	N/A	Avail.	N/A	Avail.
300 (200)	361.0	N/A	Avail.	N/A	Avail.	N/A	Avail.
350 (250)	443.0	N/A	Avail.	N/A	Avail.	N/A	Avail.
<b>575V</b>							
1.5 (1.1)	2.4	Avail.	Avail.	Avail.	Avail.	Avail.	Avail.
2.0 (1.5)	2.7	Avail.	Avail.	Avail.	Avail.	Avail.	Avail.
3.0 (2.2)	3.9	Avail.	Avail.	Avail.	Avail.	Avail.	Avail.
5.0 (4.0)	6.1	Avail.	Avail.	Avail.	Avail.	Avail.	Avail.
7.5 (5.5)	9.0	Avail.	Avail.	Avail.	Avail.	Avail.	Avail.
10 (7.5)	11.0	Avail.	Avail.	Avail.	Avail.	Avail.	Avail.
15 (11)	18.4	Avail.	Avail.	Avail.	Avail.	Avail.	Avail.
20 (15)	22.0	Avail.	Avail.	Avail.	Avail.	Avail.	Avail.
25 (18.5)	27.0	Avail.	Avail.	Avail.	Avail.	Avail.	Avail.
30 (22)	34.0	Avail.	Avail.	Avail.	Avail.	Avail.	Avail.
40 (30)	41.0	Avail.	Avail.	Avail.	Avail.	Avail.	Avail.
50 (37)	52.0	Avail.	Avail.	Avail.	Avail.	Avail.	Avail.
60 (45)	62.0	Avail.	Avail.	Avail.	Avail.	Avail.	Avail.
75 (55)	83.0	Avail.	Avail.	Avail.	Avail.	Avail.	Avail.
100 (75)	100.0	Avail.	Avail.	Avail.	Avail.	N/A	Avail.
125 (90)	131.0	Avail.	Avail.	Avail.	Avail.	N/A	Avail.
150 (110)	155.0	N/A	Avail.	N/A	Avail.	N/A	Avail.
200 (132)	192.0	N/A	Avail.	N/A	Avail.	N/A	Avail.
250 (160)	242.0	N/A	Avail.	N/A	Avail.	N/A	Avail.
300 (200)	290.0	N/A	Avail.	N/A	Avail.	N/A	Avail.
350 (250)	344.0	N/A	Avail.	N/A	Avail.	N/A	Avail.

### SmartDRIVE SP with Electro-Mechanical Bypass (Side-by-Side)

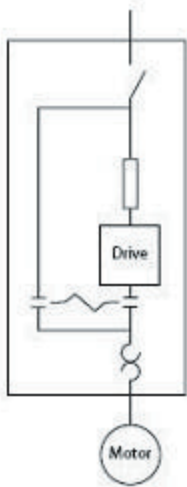
Consists of one motor starter to be used in bypass, interlocked with a drive output contactor, and the associated logic circuitry mounted and wired in the bypass enclosure. A third contactor or drive switch is optional.

An enclosure-mounted Drive/Off/Bypass switch is used to electrically select whether the motor is driven by the drive or connected to the full-speed bypass. A light indicates if bypass has been selected. May be supplied with either an input disconnect switch or an input circuit breaker. Drive fusing is provided. An electro-mechanical overload is provided for motor protection when running in bypass. DC power supply and DC contactors in C1 and smaller frames ensure reliable operation over a broad range of input voltages (see page 1 for frame sizes). Main fusing may be added for units without main circuit breaker.

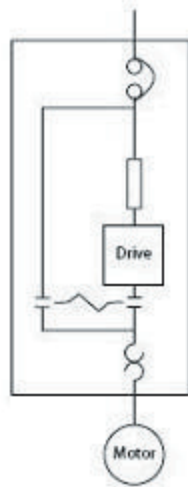


For A2 and A3 frames, bypasses will be in a special enclosure attached directly to the bottom of the drive. Width will not be increased on these sizes. For all other frames, a second enclosure the same size as the drive enclosure will be mounted directly to the right side of the drive. "Maximum Drive Output Current" rating of drive must always equal or exceed nameplate full-load amps of motor(s). Supply actual full-load amps (FLA) of motor(s) for proper selection of drive and setting of overload(s). See submittal drawings for dimensions and configuration.

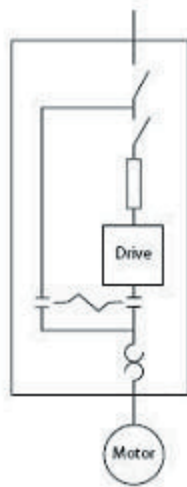
*Note: always assume 5kA SCCR unless 100kA option is ordered.*



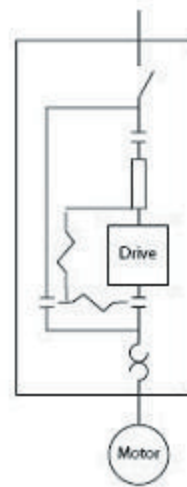
Two-contactor Bypass with Main Disconnect Switch



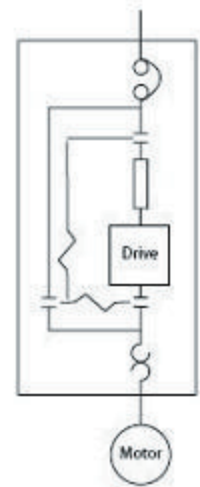
Two-contactor Bypass with Main Circuit Breaker



Two-contactor Bypass with Main Disconnect Switch and Drive Disconnect



Three-contactor Bypass with Main Disconnect



Three-contactor Bypass with Main Circuit Breaker



### SmartDRIVE VP with Electro-Mechanical Bypass (Vertical)

Includes back plate if required and graphical control panel. "Maximum Drive Output Current" rating of drive must always equal or exceed nameplate full-load amps of motor(s).

Supply actual full-load amps (FLA) of motor(s) for proper selection of drive and setting of overload(s).

Disconnects and fused disconnects mount below the drive in an extended drive enclosure for A2 and A3 frames. Width will not be increased on these sizes. For all other frame sizes, disconnect and fuses will mount inside the drive enclosure. No additional enclosure is required.



**SmartDRIVE VP with Electro-Mechanical Bypass (Vertical)**

HP (kW)	Max. Output Current	NEMA 1		Options	
		w/ Main Disc. & Fusing 5kA	w/ Main Fusing & Disc. 100kA	3rd Contactor	3% AC Line Reactor
<b>200-240V</b>					
1.5 (1.1)	6.6	Avail.	Avail.	incl.	Avail.
2.0 (1.5)	7.5	Avail.	Avail.	incl.	Avail.
3.0 (2.2)	10.6	Avail.	Avail.	incl.	Avail.
5.0 (3.7)	16.7	Avail.	Avail.	incl.	Avail.
7.5 (5.5)	24.2	Avail.	Avail.	incl.	Avail.
10 (7.5)	30.8	Avail.	Avail.	incl.	Avail.
15 (11)	46.2	Avail.	Avail.	incl.	Avail.
20 (15)	59.4	Avail.	Avail.	incl.	Avail.
25 (18.5)	74.8	Avail.	Avail.	incl.	Avail.
30 (22)	88.0	Avail.	Avail.	incl.	Avail.
40 (30)	115.0	Avail.	Avail.	incl.	Avail.
50 (37)	143.0	Avail.	Avail.	incl.	Avail.
60 (45)	170.0	Avail.	Avail.	incl.	Avail.
<b>460V</b>					
1.5 (1.1)	3.0	Avail.	Avail.	incl.	Avail.
2.0 (1.5)	3.4	Avail.	Avail.	incl.	Avail.
3.0 (2.2)	4.8	Avail.	Avail.	incl.	Avail.
5.0 (4.0)	8.2	Avail.	Avail.	incl.	Avail.
7.5 (5.5)	11.0	Avail.	Avail.	incl.	Avail.
10 (7.5)	14.0	Avail.	Avail.	incl.	Avail.
15 (11)	21.0	Avail.	Avail.	incl.	Avail.
20 (15)	27.0	Avail.	Avail.	incl.	Avail.
25 (18.5)	34.0	Avail.	Avail.	incl.	Avail.
30 (22)	40.0	Avail.	Avail.	incl.	Avail.
40 (30)	52.0	Avail.	Avail.	incl.	Avail.
50 (37)	65.0	Avail.	Avail.	incl.	Avail.
60 (45)	77.0	Avail.	Avail.	incl.	Avail.
75 (55)	106.0	Avail.	Avail.	incl.	Avail.
100 (75)	130.0	Avail.	Avail.	incl.	Avail.
125 (90)	160.0	Avail.	Avail.	incl.	Avail.
<b>575V</b>					
1.5 (1.1)	2.4	Avail.	Avail.	incl.	Avail.
2.0 (1.5)	2.7	Avail.	Avail.	incl.	Avail.
3.0 (2.2)	3.9	Avail.	Avail.	incl.	Avail.
5.0 (4.0)	6.1	Avail.	Avail.	incl.	Avail.
7.5 (5.5)	9.0	Avail.	Avail.	incl.	Avail.
10 (7.5)	11.0	Avail.	Avail.	incl.	Avail.
15 (11)	18.4	Avail.	Avail.	incl.	Avail.
20 (15)	22.0	Avail.	Avail.	incl.	Avail.
25 (18.5)	27.0	Avail.	Avail.	incl.	Avail.
30 (22)	34.0	Avail.	Avail.	incl.	Avail.
40 (30)	41.0	Avail.	Avail.	incl.	Avail.
50 (37)	52.0	Avail.	Avail.	incl.	Avail.
60 (45)	62.0	Avail.	Avail.	incl.	Avail.
75 (55)	83.0	Avail.	Avail.	incl.	Avail.
100 (75)	100.0	Avail.	Avail.	incl.	Avail.
125 (90)	131.0	Avail.	Avail.	incl.	Avail.





**SmartDRIVE Accessories, Warranties, & Startups**

New

Updated: February 24, 2014

Effective: March 11, 2013

**SmartDRIVE Options and Accessories**

**Option Cards**

Pluggable, field-installable option cards allow the capabilities of the SmartDRIVE HVAC, HVAC Single Phase, SP and VP to be easily expanded. The drive's built-in intelligence senses the added capabilities when the drive is initialized and unlocks the relevant parameters in its menu structure. The user can then choose to accept each new parameter's default value or program a new parameter value. Option cards may be either ordered with a drive for factory installation or ordered subsequently for shipment loose.

**Option A Communication Card**

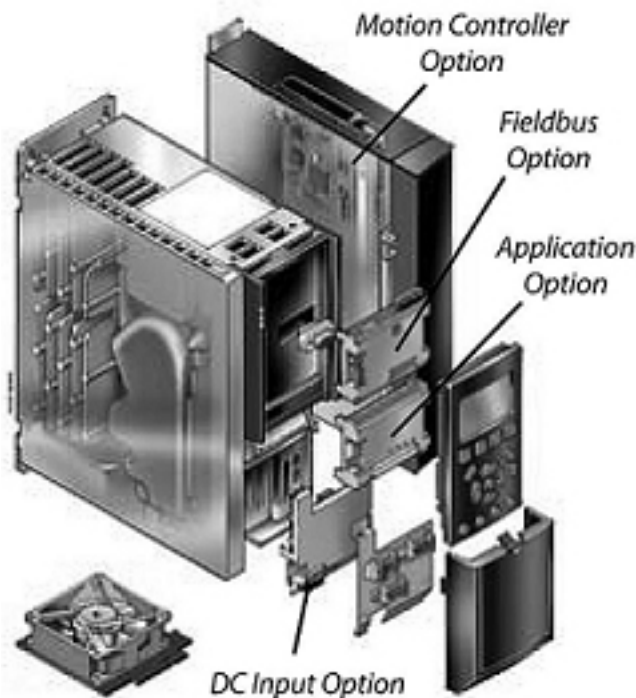
Optional cards are available for the following protocols. One Option "A" Communication Card may be used per drive.



**LonWorks®**

Allows the standard drive to communicate on a LonWorks Free Topology network at 78 kbps. Card is certified as compliant with LonWorks 3.4 specifications.

LonWorks	DDA130B1106	415.50
----------	-------------	--------



**Additional Option Cards**

Profibus	DDA130B1100	371.00
Device Net	DDA130B1102	282.00
Ethernet IP	DDA130B1119	757.00
Modbus TCP	DDA130B1196	757.00

**Serial Communications**

**Modbus® RTU, JCI Metasys® N2 and Siemens Apogee FLN P1**

The software for BACnet, Modbus® RTU, Johnson Controls Metasys N2 and Siemens Apogee FLN P1 protocols is incorporated in the standard drive. No protocol board is required.

BACnet	STANDARD
Modbus® RTU	STANDARD
Johnson Controls Metasys® N2	STANDARD
Siemens Apogee FLN P1	STANDARD



## SmartDRIVE Options and Accessories (cont.)

### Option B Input/Output Cards

Optional cards are available for expanding the inputs, outputs and other capabilities of the drive. One Option "B" Card may be installed per drive.



#### General Purpose Input/Output

This card provides the following inputs and outputs in addition to those in the standard drive.

- 3 digital inputs
- 2 digital outputs
- 2 analog voltage inputs
- 1 analog current output

MCB 101	DDA130B1125	259.50
---------	-------------	--------

#### Relay Card

This card provides three additional Form C relays in addition to the two in the standard drive.

Rating: 240 V AC, 2 A

MCB 105	DDA130B1110	259.50
---------	-------------	--------

#### Analog Input/Output

This card provides the following inputs and outputs in addition to the two in the standard drive.

- 3 analog inputs, individually configurable as either voltage or temperature for use with PT1000 or NI1000 temperature input
- 3 analog voltage outputs
- Battery backup for standard real-time clock.

MCB 109	DDA130B1143	296.50
---------	-------------	--------

### Option D Power Interface Card Provision for 24 V DC Supply



This card provides the ability to connect to an external DC supply to keep the control section and any installed option card active when the drive is disconnected from the power line.

Input current: 24 V DC  $\pm$  15%

Maximum input current draw: 2.2 A

This MCB 107 card installs in the drive's option D card location.

MCB 107	DDA130B1108	156.00
---------	-------------	--------

## SmartDRIVE Enhanced Service Warranty

### Available for:

- SmartDRIVE HVAC
- All types of Engineered Drive Systems panels, with or without drives, soft starters or harmonic filters

The Enhanced Service Warranty upgrades the standard warranty by covering travel cost to the customer site. Coverage begins on the date of shipment and extends to the end of the contract period\*. See the warranty statement for additional information regarding coverage.

In the event the covered drive fails during the Enhanced Service Warranty period, the drive will be repaired or replaced at Taco's discretion, at the customer site. Pricing applies to contracts purchased prior to drive shipment. Consult the factory for post-warranty Service Contract pricing. Pricing applies only for drives installed in the 48 adjacent states; Oahu, Hawaii; Anchorage, Alaska; and Canada.

*\* Under this program, the standard warranty of 18 months, parts and labor included, is extended to the length of term selected from the tables to the right.*

Total Coverage from Date of Shipment						
Frame	2 Year	3 Year	4 Year	5 Year	6 Year	
A	DDEWH124	DDEWH136	DDEWH148	DDEWH160	DDEWH172	Order Number
	101.00	179.00	264.50	350.00	435.50	List Price per Drive
B	DDEWH224	DDEWH236	DDEWH248	DDEWH260	DDEWH272	Order Number
	132.00	233.50	358.00	482.00	607.00	List Price per Drive
C	DDEWH324	DDEWH336	DDEWH348	DDEWH360	DDEWH372	Order Number
	186.50	334.50	513.00	700.00	887.00	List Price per Drive
D	DDEWH424	DDEWH436	DDEWH448	DDEWH460	DDEWH472	Order Number
	288.00	537.00	848.00	1,159.00	1,478.00	List Price per Drive
E	DDEWH524	DDEWH536	DDEWH548	DDEWH560	DDEWH572	Order Number
	762.00	1,509.00	2,473.00	3,420.00	4,380.00	List Price per Drive

## SmartDRIVE Startup Service

Startup services are performed by authorized Danfoss service partner organizations. Danfoss DrivePro-certified technicians inspect the drive and installation, and perform a function test of the drive.

► **Startup price is per drive per ONE trip to the job site.**

Additional visits (DDSUMH1700) can be purchased from Taco if required. 2 hours travel time is included in startup price. Danfoss Technical Support must be contacted at 1-800-432-6367 to determine if additional travel time is needed. Travel beyond 2 hours will be billed at a standard hourly rate (DDSUHFRA). If it is not covered in the initial startup purchase it will be billed to you after the fact. Additional travel time (DDSUHFRA) can be purchased in 1 hour increments from Taco as needed.

Startup does not include technical support for system integration, such as PLC programming or serial communications confirmation.

Wire terminations are to be completed, but no power is to be applied to the drive prior to startup service inspection by Danfoss authorized personnel. Application of power to the drive prior to our serviced could result in damage if problems exist. Repair of this damage is not included in startup services and would result in additional service charges. Severe damages to a drive may prevent the completion of startup services, and could affect the warranty of the drive. Trip charges will still apply for time spent on the job site.

Interconnections between Danfoss drive and Danfoss bypass enclosures on drives over 300 HP (over 200kW) or non-Danfoss supplied equipment is not included in startup rates.

### DDSUMH1700

List price: \$937.00

For frame sizes A to E, either ordered with the drive or "on demand (Post drive order)" and applies to any type drive configuration.

► **Startup price is per drive per ONE trip to the job site.**

### DDSUHFRA

List price: \$322.00 per hour

One (1) Additional Travel Hour

Startup must have been purchased for this to apply

Startup Service Items		
Part Number	Description	List Price (\$)
DDSUMH1700	<b>Startup per drive per trip</b>	937.00 per trip
DDSUHFRA	*Additional Travel Hours	322.00 per hour
*Please note: includes one (1) hour of travel time. Startup DDSUMH1700 must have been purchased for this to apply.		

► **Text has been added**



## Freight

1. For drives ordered with +TSL Taco System Logic, shipping terms are F.F.A for orders over \$3000 net.

2. For Drop Ship Orders:

Drives purchased without +TSL Taco System Logic will be drop shipped from Danfoss. Shipping net prices listed below. Eliminates the need for customers to select a carrier and manage separate freight invoices. Danfoss will select a non-expedited, ground carrier. All shipments are F.O.B. point of shipment. Special enclosures may require additional freight charges.

Frame Size	Net Price (\$)/Unit	Conditions
C1 and smaller (and demonstration unit)	65 NET	48 Adjacent States
	110 NET	AK, HI, & Canada*
C2 through D2	120 NET	48 Adjacent States
	220 NET	AK, HI, & Canada*
E1	550 NET	48 Adjacent States
	1,100 NET	AK, HI, & Canada*

Danfoss will package multiple parts and accessories in a single package when possible.

\* Customs broker fees for Canada: 50 per shipment, G.S.T. additional. Danfoss will select a broker for Canadian shipments. As an alternative, customers may elect to designate a broker and handle the brokerage fees directly.

## Frame Ratings by HP

Consult Factory for dimensional information on drives larger than 350 HP.

Frame	Enclosure		HP Range			Base Drive Dimensions (inches)		
	NEMA 1	NEMA 12	208V	460V	575	Height	Width	Depth
A2	Avail.	N/A	0.5-3	0.5-5	Avail.	14.6	3.5	8.1
A3	Avail.	N/A	5	7.5-10	0.5-10	14.6	5.1	8.1
A5	N/A	Avail.	0.5-5	0.5-10		16.5	9.5	7.9
B1	Avail.	Avail.	7.5-10	15-25		18.9	9.5	10.3
			15+	Avail.				
B2	Avail.	Avail.	15+	30-40		25.6	9.5	10.3
			20	30-40				
C1	Avail.	Avail.	25-30	50-75		26.8	12.1	12.2
			40+	Avail.				
C2	Avail.	Avail.	40+	100-125		30.3	14.6	13.2
			50-60	100-125				
D1	Avail.	Avail.	Avail.	150-200	150-250	45.6	16.5	14.7
D2	Avail.	Avail.	Avail.	250-350	300-350	60.6	16.5	14.7
ALL	NEMA 3R		ALL					



**TACO INC.**, 1160 Cranston Street, Cranston, RI 02920 Telephone: (401) 942-8000 Fax: (401) 942-2360  
**TACO (Canada), Ltd.**, 8450 Lawson Road, Milton, Ontario L9T 0J8 Telephone: (905) 564-9422 Fax: (905) 564-9436  
 Visit our website at: [www.taco-hvac.com](http://www.taco-hvac.com). Printed in USA. Copyright 2007, TACO, Inc.

**Designations**

Avail. = Available with pump configuration on buyTaco

N/A = Not Available

N/C = Standard, no charge

**Policies**

All orders are subject to a minimum billing of \$50 Net. For information and Discount Schedule, please contact your Taco Representative or the factory.

One instruction manual per drive is included.

Startup charges are not included in the drive price.

† In 208V at 15 and 40 HP, the T2 and T3 packages require B2 and C2 frames, respectively. However, the T1 drives for these power sizes are available in the smaller B1 and C1 frames.





# Suggested List Prices

## SKV Self-Sensing Pumps (NEMA 12 Enclosures)

Supersedes:

Updated: May 12, 2014

Effective: August 12, 2013

SKV Series 1800rpm 208v-230v/1.....	2
SKV Series 1800rpm 200v/3.....	3 - 4
SKV Series 1800rpm 208v-230v/3.....	5 - 6
SKV Series 1800rpm 380v-460v/3.....	7 - 8
SKV Series 1800rpm 575v-600v/3.....	9 - 10
SKV Series 3600rpm 200v/3.....	11 - 12
SKV Series 3600rpm 208v-230v/3.....	13 - 14
SKV Series 3600rpm 380v-460v/3.....	15 - 16
SKV Series 3600rpm 575v-600v/3.....	17 - 18
Options and Accessories.....	19

### Designations

All prices are factory list prices in US\$

n/a = Not Available

n/c = Standard, no charge

### Policies

All orders are subject to a minimum billing of \$50 Net. For information and Discount Schedule, please contact your Taco Representative or the factory.

One instruction manual per drive is included.

Startup charges are not included in the drive price.

### Standard Specifications:

Cast Iron Casing, Bronze Impeller, Bronze Shaft Sleeve

Ceramic Mechanical Seal, Ball Bearing JM Frame Motor.

\*1.5 HP through 60 HP, PREMIUM EFFICIENCY, are 230/460/60/3 TEFC motors for 208-230/460v and 200/60/3 TEFC motors for 200v.

\*MAX HP on SKV pumps is 60 HP.



### Do it Once. Do it Right.™

TACO INC., 1160 Cranston Street, Cranston, RI 02920 Telephone: (401) 942-8000 Fax: (401) 942-2360  
TACO (Canada), Ltd., 8450 Lawson Road, Milton, Ontario L9T 0J8 Telephone: (905) 564-9422 Fax: (905) 564-9436  
Visit our website at: [www.taco-hvac.com](http://www.taco-hvac.com)

Printed in USA

Copyright 2007

TACO, Inc.



1800rpm 208v-230v/1					
		Pump and VFD including mounting brackets, wire harness, and vibration mounts. VFD Shipping Options: 1.) Attached to the pump, or 2.) Detached from the pump on a separate pallet.		Pump and VFD <u>ONLY</u> DOES NOT INCLUDE: Mounting brackets, wire harness, or vibration mounts. VFD shipped detached from the pump on a separate pallet. Customer to wall-mount VFD.	
Model	HP	Base Drive	Mechanical Disconnect	Base Drive Not Mounted	Mechanical Disconnect Not Mounted
SKV 1506	1.5	13,579.00	15,229.00	12,579.00	14,239.00
SKV 1507		13,729.00	15,379.00	12,729.00	14,379.00
SKV 2006		13,829.00	15,479.00	12,829.00	14,489.00
SKV 2007		13,909.00	15,559.00	12,909.00	14,559.00
SKV 3006		13,969.00	15,619.00	12,969.00	14,619.00
SKV 1507	2.0	14,489.00	16,209.00	13,499.00	15,219.00
SKV 1509		15,019.00	16,739.00	14,019.00	15,739.00
SKV 2007		14,629.00	16,349.00	13,629.00	15,349.00
SKV 3007		14,929.00	16,649.00	13,929.00	15,649.00
SKV 1509	3.0	16,428.00	18,178.00	15,318.00	17,068.00
SKV 2007		16,038.00	17,778.00	14,928.00	16,678.00
SKV 2009		16,478.00	18,228.00	15,378.00	17,118.00
SKV 3007		16,108.00	17,858.00	14,998.00	16,748.00
SKV 3009		16,718.00	18,458.00	15,608.00	17,358.00
SKV 4007		16,898.00	18,638.00	15,788.00	17,538.00
SKV 1509	5.0	17,858.00	23,788.00	16,748.00	22,688.00
SKV 2009		17,908.00	23,838.00	16,808.00	22,738.00
SVK 2011		18,468.00	24,398.00	17,368.00	23,298.00
SKV 2508		18,078.00	24,008.00	16,968.00	22,898.00
SKV 3007		17,768.00	23,698.00	16,668.00	22,598.00
SKV 3009		18,138.00	24,068.00	17,038.00	22,968.00
SKV 4007		18,328.00	24,258.00	17,218.00	23,148.00
SKV 4009		18,848.00	24,788.00	17,748.00	23,678.00
SKV 4075		18,848.00	24,778.00	17,738.00	23,668.00
SKV 5007		18,898.00	24,838.00	17,798.00	23,728.00
SKV 5075		19,398.00	25,328.00	18,288.00	24,228.00
SKV 2011	7.5	20,932.00	22,742.00	19,822.00	21,642.00
SKV 2508		20,582.00	22,392.00	19,472.00	21,282.00
SKV 2510		21,712.00	23,522.00	20,612.00	22,422.00
SKV 3011		21,252.00	23,062.00	20,152.00	21,962.00
SKV 4007		21,042.00	22,862.00	19,942.00	21,752.00
SKV 4009		21,222.00	23,032.00	20,122.00	21,932.00
SKV 4011		22,162.00	23,972.00	21,052.00	22,862.00
SKV 4075		21,552.00	23,372.00	20,452.00	22,262.00
SKV 5007		21,222.00	23,032.00	20,122.00	21,932.00
SKV 5075		21,922.00	23,732.00	20,812.00	22,622.00
SKV 6009		21,982.00	23,792.00	20,872.00	22,682.00

1800rpm 200v/3							
		Pump and VFD including mounting brackets, wire harness, and vibration mounts. VFD Shipping Options: 1.) Attached to the pump, or 2.) Detached from the pump on a separate pallet.			Pump and VFD <b>ONLY</b> DOES NOT INCLUDE: Mounting brackets, wire harness, or vibration mounts. VFD shipped detached from the pump on a separate pallet. Customer to wall-mount VFD.		
Model	HP	Base Drive	Mechanical Disconnect	Fused Disconnect	Base Drive Not Mounted	Mechanical Disconnect Not Mounted	Fused Disconnect Not Mounted
SKV 1506	1.5	9,679.00	11,179.00	11,349.00	8,679.00	10,189.00	10,349.00
SKV 1507		9,829.00	11,329.00	11,499.00	8,829.00	10,329.00	10,499.00
SKV 2006		9,929.00	11,429.00	11,599.00	8,929.00	10,439.00	10,599.00
SKV 2007		10,009.00	11,509.00	11,669.00	9,009.00	10,509.00	10,679.00
SKV 3006		10,069.00	11,569.00	11,739.00	9,069.00	10,569.00	10,739.00
SKV 1507	2.0	10,589.00	12,269.00	12,449.00	9,589.00	11,269.00	11,459.00
SKV 1509		11,119.00	12,799.00	12,979.00	10,119.00	11,799.00	11,979.00
SKV 2007		10,729.00	12,399.00	12,589.00	9,729.00	11,399.00	11,589.00
SKV 3007		11,029.00	12,699.00	12,889.00	10,029.00	11,709.00	11,889.00
SKV 1509	3.0	11,478.00	13,248.00	13,438.00	10,368.00	12,138.00	12,328.00
SKV 2007		11,088.00	12,858.00	13,048.00	9,978.00	11,748.00	11,938.00
SKV 2009		11,528.00	13,298.00	13,488.00	10,418.00	12,188.00	12,378.00
SKV 3007		11,158.00	12,928.00	13,118.00	10,048.00	11,818.00	12,008.00
SKV 3009		11,768.00	13,538.00	13,728.00	10,658.00	12,428.00	12,618.00
SKV 4007		11,948.00	13,718.00	13,908.00	10,838.00	12,608.00	12,798.00
SKV 1509	5.0	13,538.00	15,288.00	15,508.00	12,408.00	14,158.00	14,378.00
SKV 2009		13,588.00	15,338.00	15,558.00	12,458.00	14,208.00	14,428.00
SVK 2011		14,148.00	15,908.00	16,118.00	13,018.00	14,768.00	14,988.00
SKV 2508		13,748.00	15,508.00	15,718.00	12,618.00	14,378.00	14,588.00
SKV 3007		13,448.00	15,198.00	15,418.00	12,318.00	14,068.00	14,288.00
SKV 3009		13,818.00	15,568.00	15,788.00	12,688.00	14,438.00	14,658.00
SKV 4007		13,998.00	15,758.00	15,978.00	12,868.00	14,628.00	14,848.00
SKV 4009		14,528.00	16,288.00	16,498.00	13,398.00	15,158.00	15,368.00
SKV 4075		14,528.00	16,278.00	16,498.00	13,398.00	15,148.00	15,368.00
SKV 5007		14,578.00	16,338.00	16,548.00	13,448.00	15,208.00	15,418.00
SKV 5075		15,078.00	16,828.00	17,048.00	13,948.00	15,698.00	15,918.00
SKV 2011		7.5	14,882.00	16,272.00	16,502.00	13,672.00	15,062.00
SKV 2508	14,532.00		15,912.00	16,152.00	13,322.00	14,712.00	14,942.00
SKV 2510	15,662.00		17,052.00	17,282.00	14,462.00	15,842.00	16,072.00
SKV 3009	14,612.00		16,002.00	16,232.00	13,402.00	14,792.00	15,022.00
SKV 3011	15,202.00		16,592.00	16,822.00	14,002.00	15,382.00	15,612.00
SKV 4007	15,002.00		16,382.00	16,612.00	13,792.00	15,172.00	15,412.00
SKV 4009	15,172.00		16,562.00	16,792.00	13,972.00	15,352.00	15,582.00
SKV 4011	16,112.00		17,492.00	17,722.00	14,902.00	16,292.00	16,522.00
SKV 4075	15,502.00		16,892.00	17,122.00	14,302.00	15,682.00	15,922.00
SKV 5007	15,172.00		16,562.00	16,792.00	13,972.00	15,352.00	15,582.00
SKV 5075	15,872.00		17,252.00	17,482.00	14,662.00	16,042.00	16,282.00
SKV 6009	15,932.00		17,312.00	17,552.00	14,722.00	16,112.00	16,342.00



1800rpm 200v/3								
		Pump and VFD including mounting brackets, wire harness, and vibration mounts. VFD Shipping Options: 1.) Attached to the pump, or 2.) Detached from the pump on a separate pallet.			Pump and VFD <u>ONLY</u> DOES NOT INCLUDE: Mounting brackets, wire harness, or vibration mounts. VFD shipped detached from the pump on a separate pallet. Customer to wall-mount VFD.			
Model	HP	Base Drive	Mechanical Disconnect	Fused Disconnect	Base Drive Not Mounted	Mechanical Disconnect Not Mounted	Fused Disconnect Not Mounted	
SKV 2011	10	17,302.00	18,762.00	19,022.00	15,532.00	16,992.00	17,262.00	
SKV 2510		17,852.00	19,312.00	19,572.00	16,082.00	17,542.00	17,812.00	
SKV 3011		17,632.00	19,082.00	19,352.00	15,862.00	17,312.00	17,582.00	
SKV 3013		18,492.00	19,942.00	20,212.00	16,722.00	18,172.00	18,442.00	
SKV 4009		17,572.00	19,032.00	19,292.00	15,802.00	17,262.00	17,522.00	
SKV 4011		18,522.00	19,982.00	20,252.00	16,762.00	18,212.00	18,482.00	
SKV 4013		19,332.00	20,792.00	21,052.00	17,562.00	19,022.00	19,282.00	
SKV 5075		18,202.00	19,652.00	19,922.00	16,432.00	17,892.00	18,152.00	
SKV 6009		18,382.00	19,842.00	20,102.00	16,612.00	18,072.00	18,342.00	
SKV 2510		15	21,759.00	23,239.00	23,549.00	19,399.00	20,879.00	21,189.00
SKV 3011	21,649.00		23,129.00	23,439.00	19,299.00	20,769.00	21,089.00	
SKV 3013	22,359.00		23,839.00	24,149.00	19,999.00	21,479.00	21,799.00	
SKV 4011	22,769.00		24,239.00	24,559.00	20,409.00	21,889.00	22,199.00	
SKV 4013	23,509.00		24,979.00	25,299.00	21,149.00	22,629.00	22,939.00	
SKV 5095	22,889.00		24,369.00	24,679.00	20,539.00	22,009.00	22,329.00	
SKV 6009	22,909.00		24,389.00	24,699.00	20,559.00	22,029.00	22,349.00	
SKV 6011	23,879.00		25,359.00	25,669.00	21,529.00	22,999.00	23,319.00	
SKV 3013	20		24,089.00	25,689.00	26,079.00	21,289.00	22,879.00	23,279.00
SKV 4011			24,359.00	25,959.00	26,349.00	21,559.00	23,149.00	23,549.00
SKV 4013		25,469.00	27,059.00	27,449.00	22,659.00	24,259.00	24,649.00	
SKV 5095		24,849.00	26,439.00	26,839.00	22,049.00	23,639.00	24,029.00	
SKV 6011		25,829.00	27,429.00	27,819.00	23,029.00	24,619.00	25,019.00	
SKV 6013		28,359.00	29,949.00	30,349.00	25,549.00	27,149.00	27,539.00	
SKV 8011		28,419.00	30,009.00	30,409.00	25,619.00	27,209.00	27,609.00	
SKV 4013		25	29,351.00	31,371.00	31,871.00	25,771.00	27,801.00	28,291.00
SKV 5095			29,361.00	31,381.00	31,871.00	25,781.00	27,801.00	28,301.00
SKV 6011			29,701.00	31,731.00	32,221.00	26,131.00	28,151.00	28,651.00
SKV 6013	30,511.00		32,531.00	33,031.00	26,931.00	28,961.00	29,451.00	
SKV 8011	32,361.00		34,391.00	34,881.00	28,791.00	30,811.00	31,301.00	
SKV 4013	30		31,121.00	33,521.00	34,111.00	27,551.00	29,951.00	30,541.00
SKV 6011		31,441.00	33,841.00	34,431.00	27,871.00	30,271.00	30,861.00	
SKV 6013		32,281.00	34,681.00	35,271.00	28,711.00	31,111.00	31,701.00	
SKV 8011		34,141.00	36,541.00	37,121.00	30,571.00	32,971.00	33,551.00	
SKV 6013		40	38,147.00	41,647.00	42,387.00	33,727.00	37,217.00	37,957.00
SKV 8011			40,027.00	43,517.00	44,257.00	35,597.00	39,097.00	39,837.00
SKV 8013	40,467.00		43,957.00	44,697.00	36,037.00	39,537.00	40,277.00	
SKV 6013	50	48,337.00	51,897.00	52,707.00	43,027.00	46,587.00	47,397.00	
SKV 8011		50,207.00	53,767.00	54,587.00	44,897.00	48,457.00	49,277.00	
SKV 8013		50,647.00	54,207.00	55,027.00	45,337.00	48,897.00	49,717.00	
SKV 6013	60	51,786.00	55,406.00	56,366.00	46,156.00	49,776.00	50,736.00	
SKV 8013		54,166.00	57,776.00	58,746.00	48,536.00	52,146.00	53,106.00	

1800rpm 208v-230v/3							
		Pump and VFD including mounting brackets, wire harness, and vibration mounts. VFD Shipping Options: 1.) Attached to the pump, or 2.) Detached from the pump on a separate pallet.			Pump and VFD <b>ONLY</b> DOES NOT INCLUDE: Mounting brackets, wire harness, or vibration mounts. VFD shipped detached from the pump on a separate pallet. Customer to wall-mount VFD.		
Model	HP	Base Drive	Mechanical Disconnect	Fused Disconnect	Base Drive Not Mounted	Mechanical Disconnect Not Mounted	Fused Disconnect Not Mounted
SKV 1506	1.5	9,799.00	11,299.00	11,469.00	8,799.00	10,299.00	10,469.00
SKV 1507		9,949.00	11,449.00	11,619.00	8,949.00	10,449.00	10,619.00
SKV 2006		10,049.00	11,549.00	11,719.00	9,049.00	10,549.00	10,719.00
SKV 2007		10,119.00	11,629.00	11,789.00	9,129.00	10,629.00	10,789.00
SKV 3006		10,189.00	11,689.00	11,849.00	9,189.00	10,689.00	10,849.00
SKV 1507	2.0	10,369.00	12,049.00	12,239.00	9,379.00	11,049.00	11,239.00
SKV 1509		10,899.00	12,579.00	12,759.00	9,899.00	11,579.00	11,769.00
SKV 2007		10,509.00	12,179.00	12,369.00	9,509.00	11,189.00	11,369.00
SKV 3007		10,809.00	12,489.00	12,669.00	9,809.00	11,489.00	11,679.00
SKV 1509	3.0	12,048.00	13,818.00	14,008.00	10,938.00	12,708.00	12,898.00
SKV 2007		11,648.00	13,428.00	13,618.00	10,548.00	12,318.00	12,508.00
SKV 2009		12,098.00	13,868.00	14,058.00	10,988.00	12,758.00	12,948.00
SKV 3007		11,728.00	13,498.00	13,688.00	10,618.00	12,388.00	12,578.00
SKV 3009		12,338.00	14,108.00	14,298.00	11,228.00	12,998.00	13,188.00
SKV 4007		12,508.00	14,278.00	14,478.00	11,408.00	13,178.00	13,368.00
SKV 1509	5.0	12,708.00	14,458.00	14,678.00	11,578.00	13,328.00	13,548.00
SKV 2009		12,758.00	14,508.00	14,728.00	11,628.00	13,378.00	13,598.00
SVK 2011		13,318.00	15,068.00	15,288.00	12,188.00	13,938.00	14,158.00
SKV 2508		12,918.00	14,678.00	14,888.00	11,788.00	13,548.00	13,758.00
SKV 3007		12,618.00	14,368.00	14,588.00	11,488.00	13,238.00	13,458.00
SKV 3009		12,988.00	14,738.00	14,958.00	11,858.00	13,608.00	13,828.00
SKV 4007		13,168.00	14,928.00	15,138.00	12,038.00	13,798.00	14,008.00
SKV 4009		13,698.00	15,458.00	15,668.00	12,568.00	14,328.00	14,538.00
SKV 4075		13,688.00	15,448.00	15,668.00	12,558.00	14,318.00	14,538.00
SKV 5007		13,748.00	15,508.00	15,718.00	12,618.00	14,378.00	14,588.00
SKV 5075	14,248.00	15,998.00	16,218.00	13,118.00	14,868.00	15,088.00	
SKV 2011	7.5	14,572.00	15,952.00	16,192.00	13,362.00	14,752.00	14,982.00
SKV 2508		14,222.00	15,602.00	15,832.00	13,012.00	14,392.00	14,632.00
SKV 2510		15,352.00	16,742.00	16,972.00	14,142.00	15,532.00	15,762.00
SKV 3009		14,302.00	15,682.00	15,922.00	13,092.00	14,482.00	14,712.00
SKV 3011		14,892.00	16,282.00	16,512.00	13,682.00	15,072.00	15,302.00
SKV 4007		14,682.00	16,072.00	16,302.00	13,482.00	14,862.00	15,092.00
SKV 4009		14,862.00	16,252.00	16,482.00	13,652.00	15,042.00	15,272.00
SKV 4011		15,792.00	17,182.00	17,412.00	14,592.00	15,972.00	16,212.00
SKV 4075		15,192.00	16,582.00	16,812.00	13,992.00	15,372.00	15,602.00
SKV 5007		14,862.00	16,252.00	16,482.00	13,652.00	15,042.00	15,272.00
SKV 5075		15,552.00	16,942.00	17,172.00	14,352.00	15,732.00	15,962.00
SKV 6009		15,622.00	17,002.00	17,232.00	14,412.00	15,792.00	16,032.00

1800rpm 208v-230v/3								
		Pump and VFD including mounting brackets, wire harness, and vibration mounts. VFD Shipping Options: 1.) Attached to the pump, or 2.) Detached from the pump on a separate pallet.			Pump and VFD <u>ONLY</u> DOES NOT INCLUDE: Mounting brackets, wire harness, or vibration mounts. VFD shipped detached from the pump on a separate pallet. Customer to wall-mount VFD.			
Model	HP	Base Drive	Mechanical Disconnect	Fused Disconnect	Base Drive Not Mounted	Mechanical Disconnect Not Mounted	Fused Disconnect Not Mounted	
SKV 2011	10	17,192.00	18,652.00	18,912.00	15,422.00	16,882.00	17,152.00	
SKV 2510		17,742.00	19,202.00	19,462.00	15,972.00	17,432.00	17,702.00	
SKV 3011		17,522.00	18,972.00	19,242.00	15,752.00	17,202.00	17,472.00	
SKV 3013		18,382.00	19,832.00	20,102.00	16,612.00	18,062.00	18,332.00	
SKV 4009		17,462.00	18,922.00	19,182.00	15,692.00	17,152.00	17,412.00	
SKV 4011		18,412.00	19,872.00	20,142.00	16,652.00	18,102.00	18,372.00	
SKV 4013		19,222.00	20,682.00	20,942.00	17,452.00	18,912.00	19,172.00	
SKV 5075		18,092.00	19,542.00	19,812.00	16,322.00	17,782.00	18,042.00	
SKV 6009		18,272.00	19,732.00	19,992.00	16,502.00	17,962.00	18,232.00	
SKV 2510		15	21,279.00	22,759.00	23,079.00	18,929.00	20,409.00	20,719.00
SKV 3011	21,179.00		22,659.00	22,969.00	18,819.00	20,299.00	20,609.00	
SKV 3013	21,879.00		23,359.00	23,679.00	19,529.00	21,009.00	21,319.00	
SKV 4011	22,289.00		23,769.00	24,079.00	19,939.00	21,419.00	21,729.00	
SKV 4013	23,029.00		24,509.00	24,819.00	20,679.00	22,159.00	22,469.00	
SKV 5095	22,419.00		23,889.00	24,209.00	20,059.00	21,539.00	21,849.00	
SKV 6009	22,439.00		23,919.00	24,229.00	20,079.00	21,559.00	21,869.00	
SKV 6011	23,409.00		24,889.00	25,199.00	21,049.00	22,529.00	22,839.00	
SKV 3013	20		25,979.00	27,579.00	27,969.00	23,179.00	24,769.00	25,169.00
SKV 4011			26,249.00	27,839.00	28,239.00	23,449.00	25,039.00	25,429.00
SKV 4013		27,359.00	28,949.00	29,339.00	24,549.00	26,149.00	26,539.00	
SKV 5095		26,739.00	28,329.00	28,729.00	23,939.00	25,529.00	25,919.00	
SKV 6011		27,719.00	29,319.00	29,709.00	24,919.00	26,509.00	26,909.00	
SKV 6013		30,249.00	31,839.00	32,229.00	27,439.00	29,039.00	29,429.00	
SKV 8011		30,309.00	31,899.00	32,299.00	27,509.00	29,099.00	29,489.00	
SKV 4013		25	30,641.00	32,671.00	33,161.00	27,071.00	29,091.00	29,581.00
SKV 5095			30,651.00	32,671.00	33,171.00	27,071.00	29,101.00	29,591.00
SKV 6011			31,001.00	33,021.00	33,511.00	27,421.00	29,441.00	29,941.00
SKV 6013	31,801.00		33,831.00	34,321.00	28,231.00	30,251.00	30,741.00	
SKV 8011	33,651.00		35,681.00	36,171.00	30,081.00	32,101.00	32,601.00	
SKV 4013	30		40,011.00	42,421.00	43,001.00	36,441.00	38,851.00	39,431.00
SKV 6011			40,331.00	42,731.00	43,321.00	36,761.00	39,161.00	39,751.00
SKV 6013			41,171.00	43,581.00	44,161.00	37,601.00	40,011.00	40,591.00
SKV 8011			43,031.00	45,431.00	46,011.00	39,461.00	41,861.00	42,441.00
SKV 6013	40		40,777.00	44,267.00	45,017.00	36,357.00	39,847.00	40,587.00
SKV 8011		42,657.00	46,147.00	46,887.00	38,227.00	41,727.00	42,467.00	
SKV 8013		43,097.00	46,587.00	47,327.00	38,667.00	42,167.00	42,907.00	
SKV 6013	50	46,817.00	50,377.00	51,187.00	41,507.00	45,067.00	45,877.00	
SKV 8011		48,687.00	52,247.00	53,067.00	43,377.00	46,937.00	47,757.00	
SKV 8013		49,127.00	52,687.00	53,507.00	43,817.00	47,377.00	48,197.00	
SKV 6013	60	51,786.00	55,406.00	56,366.00	46,156.00	49,776.00	50,736.00	
SKV 8013		54,166.00	57,776.00	58,746.00	48,536.00	52,146.00	53,106.00	

1800rpm 380v-460v/3							
		Pump and VFD including mounting brackets, wire harness, and vibration mounts. VFD Shipping Options: 1.) Attached to the pump, or 2.) Detached from the pump on a separate pallet.			Pump and VFD <b>ONLY</b> DOES NOT INCLUDE: Mounting brackets, wire harness, or vibration mounts. VFD shipped detached from the pump on a separate pallet. Customer to wall-mount VFD.		
Model	HP	Base Drive	Mechanical Disconnect	Fused Disconnect	Base Drive Not Mounted	Mechanical Disconnect Not Mounted	Fused Disconnect Not Mounted
SKV 1506	1.5	9,589.00	10,989.00	11,139.00	8,589.00	9,989.00	10,149.00
SKV 1507		9,739.00	11,139.00	11,289.00	8,739.00	10,139.00	10,289.00
SKV 2006		9,839.00	11,239.00	11,389.00	8,839.00	10,239.00	10,399.00
SKV 2007		9,919.00	11,309.00	11,469.00	8,919.00	10,319.00	10,469.00
SKV 3006		9,979.00	11,369.00	11,529.00	8,979.00	10,379.00	10,529.00
SKV 1507	2.0	10,009.00	11,509.00	11,669.00	9,019.00	10,509.00	10,669.00
SKV 1509		10,539.00	12,029.00	12,199.00	9,539.00	11,039.00	11,199.00
SKV 2007		10,149.00	11,639.00	11,799.00	9,149.00	10,639.00	10,809.00
SKV 3007		10,449.00	11,939.00	12,109.00	9,449.00	10,949.00	11,109.00
SKV 1509	3.0	11,758.00	13,398.00	13,578.00	10,658.00	12,288.00	12,468.00
SKV 2007		11,368.00	12,998.00	13,178.00	10,258.00	11,898.00	12,078.00
SKV 2009		11,808.00	13,448.00	13,628.00	10,708.00	12,338.00	12,518.00
SKV 3007		11,438.00	13,078.00	13,258.00	10,338.00	11,968.00	12,148.00
SKV 3009		12,048.00	13,688.00	13,858.00	10,948.00	12,578.00	12,758.00
SKV 4007		12,228.00	13,858.00	14,038.00	11,118.00	12,758.00	12,938.00
SKV 1509	5.0	12,268.00	13,858.00	14,058.00	11,168.00	12,758.00	12,948.00
SKV 2009		12,318.00	13,908.00	14,108.00	11,218.00	12,808.00	12,998.00
SKV 2011		12,888.00	14,468.00	14,668.00	11,778.00	13,368.00	13,558.00
SKV 2508		12,488.00	14,078.00	14,268.00	11,378.00	12,968.00	13,168.00
SKV 3007		12,178.00	13,768.00	13,968.00	11,078.00	12,668.00	12,858.00
SKV 3009		12,548.00	14,138.00	14,338.00	11,448.00	13,038.00	13,228.00
SKV 4007		12,738.00	14,328.00	14,518.00	11,628.00	13,218.00	13,418.00
SKV 4009		13,268.00	14,858.00	15,048.00	12,158.00	13,748.00	13,938.00
SKV 4075		13,258.00	14,848.00	15,038.00	12,148.00	13,738.00	13,938.00
SKV 5007		13,318.00	14,908.00	15,098.00	12,208.00	13,798.00	13,988.00
SKV 5075		13,808.00	15,398.00	15,598.00	12,708.00	14,298.00	14,488.00
SKV 2011	7.5	13,782.00	15,202.00	15,412.00	12,672.00	14,102.00	14,312.00
SKV 2508		13,432.00	14,852.00	15,062.00	12,322.00	13,752.00	13,962.00
SKV 2510		14,562.00	15,992.00	16,202.00	13,452.00	14,882.00	15,092.00
SKV 3009		13,512.00	14,942.00	15,142.00	12,402.00	13,832.00	14,042.00
SKV 3011		14,102.00	15,532.00	15,732.00	12,992.00	14,422.00	14,632.00
SKV 4007		13,892.00	15,322.00	15,532.00	12,792.00	14,212.00	14,422.00
SKV 4009		14,072.00	15,502.00	15,702.00	12,962.00	14,392.00	14,602.00
SKV 4011		15,002.00	16,432.00	16,642.00	13,902.00	15,332.00	15,532.00
SKV 4075		14,402.00	15,832.00	16,042.00	13,302.00	14,722.00	14,932.00
SKV 5007		14,072.00	15,502.00	15,702.00	12,962.00	14,392.00	14,602.00
SKV 5075		14,762.00	16,192.00	16,402.00	13,662.00	15,092.00	15,292.00
SKV 6009	14,832.00	16,252.00	16,462.00	13,722.00	15,152.00	15,352.00	

1800rpm 380v-460v/3							
		Pump and VFD including mounting brackets, wire harness, and vibration mounts. VFD Shipping Options: 1.) Attached to the pump, or 2.) Detached from the pump on a separate pallet.			Pump and VFD <u>ONLY</u> DOES NOT INCLUDE: Mounting brackets, wire harness, or vibration mounts. VFD shipped detached from the pump on a separate pallet. Customer to wall-mount VFD.		
Model	HP	Base Drive	Mechanical Disconnect	Fused Disconnect	Base Drive Not Mounted	Mechanical Disconnect Not Mounted	Fused Disconnect Not Mounted
SKV 2011	10	15,662.00	17,042.00	17,282.00	14,532.00	15,912.00	16,152.00
SKV 2510		16,212.00	17,592.00	17,832.00	15,082.00	16,462.00	16,702.00
SKV 3011		15,982.00	17,372.00	17,602.00	14,852.00	16,242.00	16,472.00
SKV 3013		16,842.00	18,232.00	18,462.00	15,712.00	17,102.00	17,332.00
SKV 4009		15,932.00	17,312.00	17,542.00	14,802.00	16,182.00	16,412.00
SKV 4011		16,882.00	18,272.00	18,502.00	15,752.00	17,142.00	17,372.00
SKV 4013		17,692.00	19,072.00	19,302.00	16,562.00	17,942.00	18,172.00
SKV 5075		16,552.00	17,942.00	18,172.00	15,422.00	16,812.00	17,042.00
SKV 6009		16,742.00	18,122.00	18,362.00	15,612.00	16,992.00	17,232.00
SKV 2510	15	18,669.00	20,059.00	20,349.00	17,539.00	18,939.00	19,219.00
SKV 3011		18,559.00	19,959.00	20,239.00	17,429.00	18,829.00	19,109.00
SKV 3013		19,269.00	20,669.00	20,949.00	18,139.00	19,539.00	19,819.00
SKV 4011		19,679.00	21,069.00	21,359.00	18,549.00	19,949.00	20,229.00
SKV 4013		20,409.00	21,809.00	22,089.00	19,289.00	20,689.00	20,969.00
SKV 5095		19,799.00	21,199.00	21,479.00	18,669.00	20,069.00	20,349.00
SKV 6009		19,819.00	21,219.00	21,499.00	18,689.00	20,089.00	20,369.00
SKV 6011		20,789.00	22,189.00	22,469.00	19,659.00	21,059.00	21,339.00
SKV 3013	20	23,439.00	25,059.00	25,389.00	21,749.00	23,369.00	23,699.00
SKV 4011		23,709.00	25,319.00	25,659.00	22,019.00	23,629.00	23,969.00
SKV 4013		24,809.00	26,419.00	26,759.00	23,119.00	24,729.00	25,069.00
SKV 5095		24,199.00	25,829.00	26,139.00	22,499.00	24,139.00	24,449.00
SKV 6011		25,179.00	26,789.00	27,129.00	23,489.00	25,099.00	25,439.00
SKV 6013		27,699.00	29,309.00	29,649.00	26,009.00	27,619.00	27,959.00
SKV 8011		27,769.00	29,379.00	29,719.00	26,079.00	27,689.00	28,029.00
SKV 4013	25	27,671.00	29,371.00	29,781.00	25,321.00	27,021.00	27,431.00
SKV 5095		27,681.00	29,371.00	29,791.00	25,331.00	27,021.00	27,441.00
SKV 6011		28,021.00	29,721.00	30,141.00	25,671.00	27,371.00	27,791.00
SKV 6013		28,831.00	30,531.00	30,941.00	26,481.00	28,181.00	28,591.00
SKV 8011		30,681.00	32,381.00	32,801.00	28,331.00	30,031.00	30,451.00
SKV 4013	30	36,461.00	38,341.00	38,811.00	34,051.00	35,921.00	36,401.00
SKV 6011		36,781.00	38,651.00	39,131.00	34,371.00	36,241.00	36,721.00
SKV 6013		37,621.00	39,501.00	39,971.00	35,211.00	37,081.00	37,561.00
SKV 8011		39,471.00	41,351.00	41,831.00	37,061.00	38,941.00	39,411.00
SKV 6013	40	35,997.00	37,757.00	38,317.00	33,127.00	34,877.00	35,437.00
SKV 8011		37,877.00	39,627.00	40,197.00	34,997.00	36,757.00	37,317.00
SKV 8013		38,317.00	40,067.00	40,637.00	35,437.00	37,197.00	37,757.00
SKV 6013	50	42,907.00	45,597.00	46,307.00	39,447.00	42,127.00	42,847.00
SKV 8011		44,787.00	47,467.00	48,187.00	41,327.00	44,007.00	44,717.00
SKV 8013		45,227.00	47,907.00	48,627.00	41,767.00	44,447.00	45,157.00
SKV 6013	60	47,326.00	50,456.00	51,296.00	43,126.00	46,266.00	47,096.00
SKV 8013		49,706.00	52,836.00	53,666.00	45,506.00	48,636.00	49,476.00

1800rpm 575v-600v/3								
		Pump and VFD including mounting brackets, wire harness, and vibration mounts. VFD Shipping Options: 1.) Attached to the pump, or 2.) Detached from the pump on a separate pallet.			Pump and VFD <u>ONLY</u> DOES NOT INCLUDE: Mounting brackets, wire harness, or vibration mounts. VFD shipped detached from the pump on a separate pallet. Customer to wall-mount VFD.			
Model	HP	Base Drive	Mechanical Disconnect	Fused Disconnect	Base Drive Not mounted	Mechanical Disconnect Not mounted	Fused Disconnect Not mounted	
SKV 1506	1.5	10,539.00	12,319.00	12,509.00	9,539.00	11,329.00	11,509.00	
SKV 1507		10,679.00	12,469.00	12,659.00	9,689.00	11,479.00	11,659.00	
SKV 2006		10,789.00	12,569.00	12,759.00	9,789.00	11,579.00	11,759.00	
SKV 2007		10,859.00	12,649.00	12,839.00	9,859.00	11,649.00	11,839.00	
SKV 3006		10,919.00	12,709.00	12,899.00	9,919.00	11,709.00	11,899.00	
SKV 1507	2.0	10,859.00	12,589.00	12,769.00	9,859.00	11,589.00	11,779.00	
SKV 1509		11,389.00	13,109.00	13,299.00	10,389.00	12,119.00	12,299.00	
SKV 2007		10,989.00	12,719.00	12,909.00	9,999.00	11,719.00	11,909.00	
SKV 3007		11,299.00	13,019.00	13,209.00	10,299.00	12,029.00	12,209.00	
SKV 1509	3.0	12,198.00	14,068.00	14,278.00	11,088.00	12,968.00	13,168.00	
SKV 2007		11,808.00	13,678.00	13,888.00	10,698.00	12,578.00	12,778.00	
SKV 2009		12,248.00	14,128.00	14,328.00	11,148.00	13,018.00	13,218.00	
SKV 3007		11,878.00	13,758.00	13,958.00	10,778.00	12,648.00	12,848.00	
SKV 3009		12,488.00	14,358.00	14,568.00	11,378.00	13,258.00	13,458.00	
SKV 4007		12,668.00	14,538.00	14,738.00	11,558.00	13,438.00	13,638.00	
SKV 1509		5.0	12,838.00	14,658.00	14,888.00	11,728.00	13,558.00	13,778.00
SKV 2009	12,888.00		14,718.00	14,938.00	11,778.00	13,608.00	13,828.00	
SKV 2011	13,448.00		15,278.00	15,498.00	12,338.00	14,168.00	14,388.00	
SKV 2508	13,048.00		14,878.00	15,098.00	11,948.00	13,768.00	13,998.00	
SKV 3007	12,748.00		14,568.00	14,798.00	11,638.00	13,468.00	13,688.00	
SKV 3009	13,118.00		14,948.00	15,168.00	12,008.00	13,838.00	14,058.00	
SKV 4007	13,308.00		15,128.00	15,348.00	12,198.00	14,018.00	14,248.00	
SKV 4009	13,828.00		15,658.00	15,878.00	12,728.00	14,548.00	14,768.00	
SKV 4075	13,828.00		15,648.00	15,868.00	12,718.00	14,538.00	14,768.00	
SKV 5007	13,878.00		15,708.00	15,928.00	12,778.00	14,598.00	14,828.00	
SKV 5075	14,378.00		16,198.00	16,428.00	13,268.00	15,098.00	15,318.00	
SKV 2011	7.5		14,992.00	16,632.00	16,872.00	13,892.00	15,532.00	15,772.00
SKV 2508			14,642.00	16,282.00	16,522.00	13,542.00	15,182.00	15,422.00
SKV 2510		15,782.00	17,412.00	17,662.00	14,672.00	16,312.00	16,552.00	
SKV 3009		14,722.00	16,362.00	16,602.00	13,622.00	15,262.00	15,502.00	
SKV 3011		15,322.00	16,952.00	17,202.00	14,212.00	15,852.00	16,092.00	
SKV 4007		15,112.00	16,752.00	16,992.00	14,002.00	15,642.00	15,882.00	
SKV 4009		15,292.00	16,922.00	17,172.00	14,182.00	15,822.00	16,062.00	
SKV 4011		16,222.00	17,862.00	18,102.00	15,112.00	16,752.00	16,992.00	
SKV 4075		15,622.00	17,262.00	17,502.00	14,512.00	16,152.00	16,392.00	
SKV 5007		15,292.00	16,922.00	17,172.00	14,182.00	15,822.00	16,062.00	
SKV5075		15,982.00	17,622.00	17,862.00	14,872.00	16,512.00	16,752.00	
SKV 6009	16,042.00	17,682.00	17,922.00	14,942.00	16,572.00	16,822.00		

1800rpm 575v-600v/3								
		Pump and VFD including mounting brackets, wire harness, and vibration mounts. VFD Shipping Options: 1.) Attached to the pump, or 2.) Detached from the pump on a separate pallet.			Pump and VFD <u>ONLY</u> DOES NOT INCLUDE: Mounting brackets, wire harness, or vibration mounts. VFD shipped detached from the pump on a separate pallet. Customer to wall-mount VFD.			
Model	HP	Base Drive	Mechanical Disconnect	Fused Disconnect	Base Drive Not Mounted	Mechanical Disconnect Not Mounted	Fused Disconnect Not Mounted	
SKV 2011	10	16,762.00	18,362.00	18,622.00	15,662.00	17,252.00	17,512.00	
SKV 2510		17,312.00	18,912.00	19,172.00	16,212.00	17,802.00	18,062.00	
SKV 3011		17,082.00	18,682.00	18,942.00	15,982.00	17,572.00	17,842.00	
SKV 3013		17,942.00	19,542.00	19,802.00	16,842.00	18,432.00	18,702.00	
SKV 4009		17,032.00	18,622.00	18,892.00	15,922.00	17,522.00	17,782.00	
SKV 4011		17,982.00	19,582.00	19,842.00	16,882.00	18,472.00	18,742.00	
SKV 4013		18,792.00	20,382.00	20,652.00	17,682.00	19,282.00	19,542.00	
SKV 5075		17,662.00	19,252.00	19,522.00	16,552.00	18,142.00	18,412.00	
SKV 6009		17,842.00	19,432.00	19,702.00	16,742.00	18,332.00	18,592.00	
SKV 2510		15	21,559.00	23,169.00	23,499.00	20,449.00	22,059.00	22,379.00
SKV 3011	21,459.00		23,069.00	23,389.00	20,339.00	21,949.00	22,269.00	
SKV 3013	22,159.00		23,769.00	24,099.00	21,049.00	22,659.00	22,979.00	
SKV 4011	22,569.00		32,309.00	24,499.00	21,459.00	23,069.00	23,389.00	
SKV 4013	23,309.00		24,919.00	25,239.00	22,199.00	23,799.00	24,129.00	
SKV 5095	22,689.00		24,299.00	24,629.00	21,579.00	23,189.00	23,509.00	
SKV 6009	22,719.00		24,329.00	24,649.00	21,599.00	23,209.00	23,529.00	
SKV 6011	23,689.00		25,289.00	25,619.00	22,569.00	24,179.00	24,499.00	
SKV 3013	20		23,649.00	25,499.00	25,889.00	22,539.00	24,389.00	24,779.00
SKV 4011			23,709.00	25,559.00	25,949.00	22,799.00	24,649.00	25,049.00
SKV 4013		24,809.00	26,659.00	27,059.00	23,909.00	25,759.00	26,149.00	
SKV 5095		24,199.00	26,069.00	26,459.00	23,289.00	25,159.00	25,559.00	
SKV 6011		25,179.00	27,029.00	27,419.00	24,279.00	26,129.00	26,519.00	
SKV 6013		27,709.00	29,559.00	29,949.00	26,799.00	28,649.00	29,039.00	
SKV 8011		27,769.00	29,619.00	30,009.00	26,859.00	28,709.00	29,109.00	
SKV 4013		25	32,151.00	34,101.00	34,581.00	31,241.00	33,191.00	33,671.00
SKV 5095			32,941.00	34,891.00	35,371.00	31,251.00	33,201.00	33,681.00
SKV 6011			33,291.00	35,241.00	35,721.00	31,601.00	33,551.00	34,031.00
SKV 6013	34,091.00		36,041.00	36,521.00	32,401.00	34,351.00	34,831.00	
SKV 8011	35,951.00		37,901.00	38,381.00	34,261.00	36,211.00	36,691.00	
SKV 4013	30		35,901.00	38,061.00	38,611.00	34,211.00	36,371.00	36,921.00
SKV 6011		36,221.00	38,381.00	38,931.00	34,531.00	36,691.00	37,241.00	
SKV 6013		37,131.00	39,291.00	39,831.00	35,371.00	37,531.00	38,081.00	
SKV 8011		38,981.00	41,141.00	41,691.00	37,231.00	39,381.00	39,931.00	
SKV 6013	40	43,327.00	45,587.00	46,237.00	41,577.00	43,837.00	44,477.00	
SKV 8011		45,907.00	48,167.00	48,817.00	43,447.00	45,707.00	46,357.00	
SKV 8013		46,347.00	48,607.00	49,257.00	43,887.00	46,147.00	46,797.00	
SKV 6013	50	48,987.00	52,067.00	52,887.00	46,527.00	49,617.00	50,437.00	
SKV 8011		50,857.00	53,947.00	54,767.00	48,397.00	51,487.00	52,307.00	
SKV 8013		51,657.00	54,747.00	55,567.00	48,837.00	51,927.00	52,747.00	
SKV 6013	60	62,426.00	66,026.00	66,986.00	59,606.00	63,206.00	64,166.00	
SKV 8013		64,796.00	68,406.00	69,356.00	61,986.00	65,586.00	66,536.00	



3600rpm 200v/3							
		Pump and VFD including mounting brackets, wire harness, and vibration mounts. VFD Shipping Options: 1.) Attached to the pump, or 2.) Detached from the pump on a separate pallet.			Pump and VFD <u>ONLY</u> DOES NOT INCLUDE: Mounting brackets, wire harness, or vibration mounts. VFD shipped detached from the pump on a separate pallet. Customer to wall-mount VFD.		
Model	HP	Base Drive	Mechanical Disconnect	Fused Disconnect	Base Drive Not Mounted	Mechanical Disconnect Not Mounted	Fused Disconnect Not Mounted
SKV 1506	3.0	11,078.00	12,848.00	13,038.00	9,968.00	11,738.00	11,928.00
SKV 2006		11,268.00	13,038.00	13,238.00	10,168.00	11,938.00	12,128.00
SKV 1506	5.0	11,928.00	13,678.00	13,898.00	10,798.00	12,548.00	12,768.00
SKV 1507		12,048.00	13,808.00	14,018.00	10,918.00	12,678.00	12,888.00
SVK 2006		12,138.00	13,898.00	14,108.00	11,008.00	12,768.00	12,978.00
SKV 3006		12,298.00	14,058.00	14,268.00	11,168.00	12,928.00	13,138.00
SKV 1506	7.5	13,152.00	14,532.00	14,762.00	11,942.00	13,322.00	13,562.00
SKV 1507		13,302.00	14,682.00	14,922.00	12,092.00	13,482.00	13,712.00
SKV 2006		13,362.00	14,752.00	14,982.00	12,152.00	13,542.00	13,772.00
SKV 3006		13,532.00	14,912.00	15,142.00	12,322.00	13,702.00	13,942.00
SKV 1507	10	16,122.00	17,572.00	17,842.00	14,352.00	15,802.00	16,072.00
SKV 2006		16,212.00	17,662.00	17,932.00	14,442.00	15,902.00	16,162.00
SKV 2007		16,512.00	17,962.00	18,232.00	14,742.00	16,192.00	16,462.00
SKV 3006		16,372.00	17,832.00	18,092.00	14,602.00	16,062.00	16,332.00
SKV 1507	15	17,749.00	19,229.00	19,539.00	15,389.00	16,869.00	17,179.00
SKV 1509		18,259.00	19,739.00	20,059.00	15,909.00	17,389.00	17,699.00
SKV 2007		17,889.00	19,369.00	19,679.00	15,529.00	17,009.00	17,329.00
SKV 2009		18,329.00	19,809.00	20,119.00	15,969.00	17,449.00	17,769.00
SKV 3006		18,329.00	19,809.00	20,119.00	15,979.00	17,449.00	17,769.00
SKV 3007		18,539.00	20,019.00	20,329.00	16,179.00	17,659.00	17,979.00
SKV 3009		19,319.00	20,789.00	21,109.00	16,959.00	18,439.00	18,749.00
SKV 1509	20	21,079.00	22,679.00	23,069.00	18,279.00	19,869.00	20,269.00
SKV 2007		20,709.00	22,309.00	22,699.00	17,909.00	19,499.00	19,899.00
SKV 2009		22,019.00	23,619.00	24,009.00	19,219.00	20,809.00	21,209.00
SKV 3007		21,429.00	23,029.00	23,419.00	18,629.00	20,219.00	20,619.00
SKV 3009		21,759.00	23,359.00	23,749.00	18,959.00	20,549.00	20,949.00
SKV 4007		22,209.00	23,799.00	24,189.00	19,399.00	20,999.00	21,389.00
SKV 1509	25	26,301.00	28,331.00	28,821.00	22,731.00	24,751.00	25,241.00
SKV 2007		25,981.00	28,001.00	28,501.00	22,401.00	24,431.00	24,921.00
SKV 2009		26,351.00	28,371.00	28,861.00	22,771.00	24,801.00	25,291.00
SKV 3007		25,781.00	27,801.00	28,291.00	22,201.00	24,231.00	24,721.00
SKV 3009		26,081.00	28,101.00	28,601.00	22,501.00	24,531.00	25,021.00
SKV 4007		26,391.00	28,411.00	28,901.00	22,811.00	24,841.00	25,331.00
SKV 5007		26,141.00	28,161.00	28,661.00	22,571.00	24,591.00	25,081.00



3600rpm 200v/3							
		Pump and VFD including mounting brackets, wire harness, and vibration mounts. VFD Shipping Options: 1.) Attached to the pump, or 2.) Detached from the pump on a separate pallet.			Pump and VFD <u>ONLY</u> DOES NOT INCLUDE: Mounting brackets, wire harness, or vibration mounts. VFD shipped detached from the pump on a separate pallet. Customer to wall-mount VFD.		
Model	HP	Base Drive	Mechanical Disconnect	Fused Disconnect	Base Drive Not Mounted	Mechanical Disconnect Not Mounted	Fused Disconnect Not Mounted
SKV 1509	30	30,101.00	32,501.00	33,091.00	26,531.00	28,931.00	29,521.00
SKV 2009		30,981.00	33,381.00	33,971.00	27,411.00	29,811.00	30,401.00
SKV 2508		30,021.00	32,421.00	33,001.00	26,451.00	28,851.00	29,431.00
SKV 3007		29,511.00	31,911.00	32,501.00	25,941.00	28,341.00	28,931.00
SKV 3009		29,671.00	32,071.00	32,661.00	26,101.00	28,501.00	29,091.00
SKV 4007		30,131.00	32,531.00	33,121.00	26,561.00	28,961.00	29,551.00
SKV 4009		30,651.00	33,051.00	33,631.00	27,081.00	29,481.00	30,061.00
SKV 5007		30,601.00	33,011.00	33,591.00	27,031.00	29,441.00	30,021.00
SKV 1509		40	33,767.00	37,267.00	38,007.00	29,347.00	32,837.00
SKV 2009	34,647.00		38,147.00	38,887.00	30,227.00	33,717.00	34,457.00
SKV 2508	34,747.00		38,247.00	38,987.00	30,327.00	33,817.00	34,557.00
SKV 3007	33,177.00		36,667.00	37,417.00	28,757.00	32,247.00	32,987.00
SKV 3009	33,597.00		37,087.00	37,827.00	29,167.00	32,657.00	33,407.00
SKV 4007	33,807.00		37,297.00	38,037.00	29,377.00	32,867.00	33,617.00
SKV 4009	34,317.00		37,807.00	38,547.00	29,887.00	33,377.00	34,127.00
SKV 4075	35,857.00		39,357.00	40,097.00	31,437.00	34,927.00	35,667.00
SKV 5007	34,277.00		37,767.00	38,507.00	29,847.00	33,337.00	34,087.00
SKV 5075	35,337.00	38,827.00	39,577.00	30,917.00	34,407.00	35,147.00	
SKV 2508	50	39,487.00	43,037.00	43,857.00	34,177.00	37,727.00	38,547.00
SKV 4009		40,157.00	43,717.00	44,537.00	34,847.00	38,407.00	39,227.00
SKV 4075		38,897.00	42,457.00	43,277.00	33,587.00	37,147.00	37,967.00
SKV 5007		38,687.00	42,247.00	43,057.00	33,377.00	36,937.00	37,747.00
SKV 5075		39,747.00	43,307.00	44,127.00	34,437.00	37,997.00	38,817.00
SKV 2508	60	44,456.00	48,066.00	49,036.00	38,826.00	42,436.00	43,396.00
SKV 3009		44,376.00	47,996.00	48,956.00	38,746.00	42,356.00	43,326.00
SKV 4009		45,086.00	48,696.00	49,656.00	39,456.00	43,066.00	44,026.00
SKV 5075		46,126.00	49,736.00	50,696.00	40,496.00	44,106.00	45,066.00

3600rpm 208v-230v/3							
		Pump and VFD including mounting brackets, wire harness, and vibration mounts. VFD Shipping Options: 1.) Attached to the pump, or 2.) Detached from the pump on a separate pallet.			Pump and VFD <u>ONLY</u> DOES NOT INCLUDE: Mounting brackets, wire harness, or vibration mounts. VFD shipped detached from the pump on a separate pallet. Customer to wall-mount VFD.		
Model	HP	Base Drive	Mechanical Disconnect	Fused Disconnect	Base Drive Not Mounted	Mechanical Disconnect Not Mounted	Fused Disconnect Not Mounted
SKV 1506	3.0	11,058.00	12,828.00	13,028.00	9,958.00	11,728.00	11,918.00
SKV 2006		11,258.00	13,028.00	13,218.00	10,148.00	11,918.00	12,108.00
SKV 1506	5.0	12,858.00	14,618.00	14,828.00	11,728.00	13,478.00	13,698.00
SKV 1507		12,978.00	14,738.00	14,958.00	11,848.00	13,608.00	13,818.00
SVK 2006		13,068.00	14,828.00	15,038.00	11,938.00	13,698.00	13,908.00
SKV 3006		13,228.00	14,988.00	15,198.00	12,098.00	13,858.00	14,068.00
SKV 1506	7.5	13,992.00	15,372.00	15,602.00	12,782.00	14,162.00	14,402.00
SKV 1507		14,142.00	15,522.00	15,762.00	12,932.00	14,322.00	14,552.00
SKV 2006		14,202.00	15,592.00	15,822.00	12,992.00	14,382.00	14,612.00
SKV 3006		14,372.00	15,752.00	15,982.00	13,162.00	14,542.00	14,782.00
SKV 1507	10	15,302.00	16,752.00	17,022.00	13,532.00	14,982.00	15,252.00
SKV 2006		15,392.00	16,842.00	17,112.00	13,622.00	15,082.00	15,342.00
SKV 2007		15,692.00	17,142.00	17,412.00	13,922.00	15,372.00	15,642.00
SKV 3006		15,552.00	17,012.00	17,272.00	13,792.00	15,242.00	15,512.00
SKV 1507	15	18,519.00	19,999.00	20,309.00	16,169.00	17,649.00	17,959.00
SKV 1509		19,039.00	20,519.00	20,829.00	16,679.00	18,159.00	18,479.00
SKV 2007		18,659.00	20,139.00	20,459.00	16,309.00	17,789.00	18,099.00
SKV 2009		19,099.00	20,579.00	20,899.00	16,749.00	18,229.00	18,539.00
SKV 3006		19,109.00	20,579.00	20,899.00	16,749.00	18,229.00	18,539.00
SKV 3007		19,309.00	20,789.00	21,109.00	16,959.00	18,439.00	18,749.00
SKV 3009		20,089.00	21,569.00	21,879.00	17,739.00	19,209.00	19,529.00
SKV 1509		20	22,649.00	24,239.00	24,639.00	19,849.00	21,439.00
SKV 2007	22,279.00		23,869.00	24,269.00	19,479.00	21,069.00	21,459.00
SKV 2009	23,589.00		25,179.00	25,579.00	20,789.00	22,379.00	22,769.00
SKV 3007	22,999.00		24,589.00	24,979.00	20,189.00	21,789.00	22,179.00
SKV 3009	23,329.00		24,919.00	25,319.00	20,529.00	22,119.00	22,509.00
SKV 4007	23,769.00		25,369.00	25,759.00	20,969.00	22,559.00	22,959.00
SKV 1509	25	28,801.00	30,831.00	31,321.00	25,231.00	27,251.00	27,741.00
SKV 2007		28,481.00	30,501.00	31,001.00	24,901.00	26,931.00	27,421.00
SKV 2009		28,851.00	30,871.00	31,361.00	25,271.00	27,301.00	27,791.00
SKV 3007		28,281.00	30,301.00	30,791.00	24,701.00	26,731.00	27,221.00
SKV 3009		28,581.00	30,601.00	31,101.00	25,001.00	27,031.00	27,521.00
SKV 4007		28,891.00	30,911.00	31,401.00	25,311.00	27,341.00	27,831.00
SKV 5007		28,641.00	30,661.00	31,161.00	25,071.00	27,091.00	27,581.00

3600rpm 208v-230v/3							
		Pump and VFD including mounting brackets, wire harness, and vibration mounts. VFD Shipping Options: 1.) Attached to the pump, or 2.) Detached from the pump on a separate pallet.			Pump and VFD <b>ONLY</b> DOES NOT INCLUDE: Mounting brackets, wire harness, or vibration mounts. VFD shipped detached from the pump on a separate pallet. Customer to wall-mount VFD.		
Model	HP	Base Drive	Mechanical Disconnect	Fused Disconnect	Base Drive Not Mounted	Mechanical Disconnect Not Mounted	Fused Disconnect Not Mounted
SKV 1509	30	32,771.00	35,171.00	35,761.00	29,201.00	31,601.00	32,191.00
SKV 2009		33,651.00	36,051.00	36,641.00	30,081.00	32,481.00	33,071.00
SKV 2508		32,681.00	35,091.00	35,671.00	29,111.00	31,521.00	32,101.00
SKV 3007		32,181.00	34,581.00	35,161.00	28,611.00	31,011.00	31,591.00
SKV 3009		32,341.00	34,741.00	35,321.00	28,771.00	31,171.00	31,751.00
SKV 4007		32,801.00	35,201.00	35,791.00	29,231.00	31,631.00	32,221.00
SKV 4009		33,311.00	35,721.00	36,301.00	29,741.00	32,151.00	32,731.00
SKV 5007		33,271.00	35,671.00	36,261.00	29,701.00	32,101.00	32,691.00
SKV 1509		40	42,177.00	45,667.00	46,407.00	37,747.00	41,237.00
SKV 2009	43,057.00		46,547.00	47,287.00	38,627.00	42,117.00	42,867.00
SKV 2508	43,157.00		46,647.00	47,387.00	38,727.00	42,217.00	42,967.00
SKV 3007	41,577.00		45,077.00	45,817.00	37,157.00	40,647.00	41,387.00
SKV 3009	41,997.00		45,487.00	46,227.00	37,567.00	41,067.00	41,807.00
SKV 4007	42,207.00		45,697.00	46,437.00	37,777.00	41,277.00	42,017.00
SKV 4009	42,717.00		46,207.00	46,957.00	38,297.00	41,787.00	42,527.00
SKV 4075	44,267.00		47,757.00	48,497.00	39,837.00	43,337.00	44,077.00
SKV 5007	42,677.00		46,167.00	46,917.00	38,257.00	41,747.00	42,487.00
SKV 5075	43,747.00	47,237.00	47,977.00	39,317.00	42,807.00	43,557.00	
SKV 2508	50	48,887.00	52,447.00	53,257.00	43,577.00	47,137.00	47,947.00
SKV 4009		49,557.00	53,117.00	53,937.00	44,247.00	47,807.00	48,627.00
SKV 4075		48,297.00	51,857.00	52,677.00	42,987.00	46,547.00	47,367.00
SKV 5007		48,087.00	51,647.00	52,467.00	42,777.00	46,337.00	47,157.00
SKV 5075		49,157.00	52,707.00	53,527.00	43,847.00	47,397.00	48,217.00
SKV 2508	60	58,646.00	62,266.00	63,226.00	53,016.00	56,636.00	57,596.00
SKV 3009		58,576.00	62,186.00	63,146.00	52,946.00	56,556.00	57,516.00
SKV 4009		59,276.00	62,896.00	63,856.00	53,646.00	57,256.00	58,226.00
SKV 5075		60,316.00	63,936.00	64,896.00	54,686.00	58,296.00	59,266.00

3600rpm 380v-460v/3							
		Pump and VFD including mounting brackets, wire harness, and vibration mounts. VFD Shipping Options: 1.) Attached to the pump, or 2.) Detached from the pump on a separate pallet.			Pump and VFD <u>ONLY</u> DOES NOT INCLUDE: Mounting brackets, wire harness, or vibration mounts. VFD shipped detached from the pump on a separate pallet. Customer to wall-mount VFD.		
Model	HP	Base Drive	Mechanical Disconnect	Fused Disconnect	Base Drive Not Mounted	Mechanical Disconnect Not Mounted	Fused Disconnect Not Mounted
SKV 1506	3.0	10,778.00	12,408.00	12,588.00	9,668.00	11,308.00	11,488.00
SKV 2006		10,968.00	12,608.00	12,778.00	9,868.00	11,498.00	11,678.00
SKV 1506	5.0	12,428.00	14,008.00	14,208.00	11,318.00	12,908.00	13,098.00
SKV 1507		12,548.00	14,138.00	14,328.00	11,438.00	13,028.00	13,228.00
SVK 2006		12,638.00	14,228.00	14,418.00	11,528.00	13,118.00	13,318.00
SKV 3006		12,798.00	14,388.00	14,578.00	11,688.00	13,278.00	13,478.00
SKV 1506	7.5	13,202.00	14,622.00	14,832.00	12,092.00	13,522.00	13,732.00
SKV 1507		13,352.00	14,772.00	14,982.00	12,242.00	13,672.00	13,882.00
SKV 2006		13,412.00	14,842.00	15,042.00	12,302.00	13,732.00	13,942.00
SKV 3006		13,582.00	15,002.00	15,212.00	12,472.00	13,902.00	14,102.00
SKV 1507	10	13,762.00	15,152.00	15,382.00	12,632.00	14,022.00	14,252.00
SKV 2006		13,862.00	15,242.00	15,472.00	12,722.00	14,112.00	14,342.00
SKV 2007		14,152.00	15,542.00	15,772.00	13,022.00	14,412.00	14,642.00
SKV 3006		14,022.00	15,412.00	15,642.00	12,892.00	14,272.00	14,512.00
SKV 1507	15	15,909.00	17,299.00	17,589.00	14,779.00	16,179.00	16,459.00
SKV 1509		16,419.00	17,819.00	18,099.00	15,289.00	16,689.00	16,969.00
SKV 2007		16,049.00	17,449.00	17,729.00	14,919.00	16,319.00	16,599.00
SKV 2009		16,489.00	17,889.00	18,169.00	15,359.00	16,759.00	17,039.00
SKV 3006		16,489.00	17,889.00	18,169.00	15,359.00	16,759.00	17,039.00
SKV 3007		16,699.00	18,089.00	18,379.00	15,569.00	16,969.00	17,249.00
SKV 3009		17,469.00	18,869.00	19,149.00	16,349.00	17,739.00	18,029.00
SKV 1509	20	20,109.00	21,719.00	22,049.00	18,409.00	20,029.00	20,359.00
SKV 2007		19,739.00	21,349.00	21,689.00	18,049.00	19,649.00	19,989.00
SKV 2009		21,049.00	22,659.00	22,999.00	19,359.00	20,959.00	21,299.00
SKV 3007		20,449.00	22,089.00	22,399.00	18,759.00	20,389.00	20,709.00
SKV 3009		20,779.00	22,389.00	22,729.00	19,089.00	20,699.00	21,039.00
SKV 4007		21,229.00	22,839.00	23,179.00	19,539.00	21,149.00	21,489.00
SKV 1509	25	25,831.00	27,531.00	27,941.00	23,481.00	25,181.00	25,591.00
SKV 2007		25,511.00	27,201.00	27,621.00	23,161.00	24,851.00	25,271.00
SKV 2009		25,871.00	27,571.00	27,991.00	23,521.00	25,221.00	25,641.00
SKV 3007		25,301.00	27,001.00	27,421.00	22,951.00	24,651.00	25,071.00
SKV 3009		25,611.00	27,301.00	27,721.00	23,261.00	24,951.00	25,371.00
SKV 4007		25,911.00	27,611.00	28,031.00	23,561.00	25,261.00	25,681.00
SKV 5007		25,671.00	27,361.00	27,781.00	23,321.00	25,021.00	25,431.00

SKV Series 3600rpm 380v-460v/3							
		Pump and VFD including mounting brackets, wire harness, and vibration mounts. VFD Shipping Options: 1.) Attached to the pump, or 2.) Detached from the pump on a separate pallet.			Pump and VFD <b>ONLY</b> DOES NOT INCLUDE: Mounting brackets, wire harness, or vibration mounts. VFD shipped detached from the pump on a separate pallet. Customer to wall-mount VFD.		
Model	HP	Base Drive	Mechanical Disconnect	Fused Disconnect	Base Drive Not Mounted	Mechanical Disconnect Not Mounted	Fused Disconnect Not Mounted
SKV 1509	30	29,221.00	31,091.00	31,571.00	26,801.00	28,681.00	29,151.00
SKV 2009		30,101.00	31,971.00	32,451.00	27,681.00	29,561.00	30,031.00
SKV 2508		29,131.00	31,011.00	31,481.00	26,721.00	28,591.00	29,071.00
SKV 3007		28,621.00	30,501.00	30,981.00	26,211.00	28,081.00	28,561.00
SKV 3009		28,781.00	30,661.00	31,141.00	26,371.00	28,251.00	28,721.00
SKV 4007		29,251.00	31,121.00	31,601.00	26,831.00	28,711.00	29,181.00
SKV 4009		29,761.00	31,641.00	32,111.00	27,351.00	29,221.00	29,701.00
SKV 5007		29,721.00	31,591.00	32,071.00	27,311.00	29,181.00	29,661.00
SKV 1509	40	37,397.00	39,147.00	39,717.00	34,517.00	36,267.00	36,837.00
SKV 2009		38,277.00	40,027.00	40,597.00	35,397.00	37,157.00	37,717.00
SKV 2508		38,377.00	40,127.00	40,697.00	35,497.00	37,247.00	37,817.00
SKV 3007		36,807.00	38,557.00	39,117.00	33,927.00	35,677.00	36,247.00
SKV 3009		37,217.00	38,977.00	39,537.00	34,337.00	36,097.00	36,657.00
SKV 4007		37,427.00	39,187.00	39,747.00	34,547.00	36,307.00	36,867.00
SKV 4009		37,937.00	39,697.00	40,257.00	35,057.00	36,817.00	37,377.00
SKV 4075		39,487.00	41,237.00	41,807.00	36,607.00	38,367.00	38,927.00
SKV 5007		37,897.00	39,657.00	40,217.00	35,017.00	36,777.00	37,337.00
SKV 5075		38,967.00	40,717.00	41,287.00	36,087.00	37,837.00	38,407.00
SKV 2508	50	44,977.00	47,667.00	48,377.00	41,517.00	44,197.00	44,917.00
SKV 4009		45,657.00	48,337.00	49,057.00	42,187.00	44,877.00	45,587.00
SKV 4075		44,397.00	47,077.00	47,797.00	40,937.00	43,617.00	44,327.00
SKV 5007		44,187.00	46,867.00	47,577.00	40,717.00	43,407.00	44,117.00
SKV 5075		45,247.00	47,937.00	48,647.00	41,787.00	44,467.00	45,187.00
SKV 2508	60	54,186.00	57,316.00	58,156.00	49,986.00	53,126.00	53,956.00
SKV 3009		54,106.00	57,236.00	58,076.00	49,916.00	53,046.00	53,876.00
SKV 4009		54,816.00	57,946.00	58,776.00	50,616.00	53,746.00	54,586.00
SKV 5075		55,856.00	58,986.00	59,816.00	51,656.00	54,786.00	55,626.00

3600rpm 575v-600v/3							
		Pump and VFD including mounting brackets, wire harness, and vibration mounts. VFD Shipping Options: 1.) Attached to the pump, or 2.) Detached from the pump on a separate pallet.			Pump and VFD <b>ONLY</b> DOES NOT INCLUDE: Mounting brackets, wire harness, or vibration mounts. VFD shipped detached from the pump on a separate pallet. Customer to wall-mount VFD.		
Model	HP	Base Drive	Mechanical Disconnect	Fused Disconnect	Base Drive Not Mounted	Mechanical Disconnect Not Mounted	Fused Disconnect Not Mounted
SKV 1506	3.0	11,758.00	13,638.00	13,838.00	10,658.00	12,528.00	12,738.00
SKV 2006		11,958.00	13,828.00	14,028.00	10,848.00	12,728.00	12,928.00
SKV 1506	5.0	12,998.00	14,828.00	15,048.00	11,898.00	13,718.00	13,948.00
SKV 1507		13,128.00	14,948.00	15,178.00	12,018.00	13,848.00	14,068.00
SVK 2006		13,208.00	15,038.00	15,258.00	12,108.00	13,928.00	14,158.00
SKV 3006		13,378.00	15,198.00	15,418.00	12,268.00	14,088.00	14,318.00
SKV 1506	7.5	14,252.00	15,892.00	16,132.00	13,152.00	14,792.00	15,032.00
SKV 1507		14,402.00	16,042.00	16,282.00	13,302.00	14,942.00	15,182.00
SKV 2006		14,472.00	16,102.00	16,342.00	13,362.00	15,002.00	15,242.00
SKV 3006		14,632.00	16,272.00	16,512.00	13,532.00	15,162.00	15,402.00
SKV 1507	10	15,712.00	17,302.00	17,562.00	14,602.00	16,192.00	16,462.00
SKV 2006		15,802.00	17,392.00	17,662.00	14,692.00	16,292.00	16,552.00
SKV 2007		16,102.00	17,692.00	17,962.00	14,992.00	16,582.00	16,852.00
SKV 3006		15,962.00	17,562.00	17,822.00	14,862.00	16,452.00	16,722.00
SKV 1507	15	20,739.00	22,349.00	22,669.00	19,619.00	21,229.00	21,549.00
SKV 1509		21,249.00	22,859.00	23,189.00	20,139.00	21,749.00	22,069.00
SKV 2007		20,879.00	22,489.00	22,809.00	19,759.00	21,369.00	21,699.00
SKV 2009		21,319.00	22,929.00	23,249.00	20,199.00	21,809.00	22,139.00
SKV 3006		21,319.00	22,929.00	23,249.00	20,199.00	21,809.00	22,139.00
SKV 3007		21,529.00	23,139.00	23,459.00	20,409.00	22,019.00	22,349.00
SKV 3009		22,299.00	23,909.00	24,239.00	21,189.00	22,799.00	23,119.00
SKV 1509	20	24,449.00	26,299.00	26,689.00	23,329.00	25,179.00	25,579.00
SKV 2007		23,869.00	25,719.00	26,109.00	22,959.00	24,809.00	25,209.00
SKV 2009		25,179.00	27,029.00	27,419.00	24,269.00	26,119.00	26,519.00
SKV 3007		24,589.00	26,459.00	26,849.00	23,679.00	25,549.00	25,949.00
SKV 3009		24,919.00	26,769.00	27,159.00	24,009.00	25,859.00	26,259.00
SKV 4007		25,359.00	27,209.00	27,609.00	24,459.00	26,309.00	26,699.00
SKV 1509	25	28,231.00	30,181.00	30,661.00	27,331.00	29,281.00	29,761.00
SKV 2007		28,701.00	30,651.00	31,131.00	27,011.00	28,961.00	29,441.00
SKV 2009		29,061.00	31,011.00	31,501.00	27,371.00	29,321.00	29,801.00
SKV 3007		28,491.00	30,441.00	30,931.00	26,801.00	28,751.00	29,231.00
SKV 3009		28,801.00	30,751.00	31,231.00	27,111.00	29,061.00	29,541.00
SKV 4007		29,101.00	31,051.00	31,541.00	27,411.00	29,361.00	29,841.00
SKV 5007		28,861.00	30,811.00	31,291.00	27,171.00	29,121.00	29,601.00

3600rpm 575v-600v/3							
		Pump and VFD including mounting brackets, wire harness, and vibration mounts. VFD Shipping Options: 1.) Attached to the pump, or 2.) Detached from the pump on a separate pallet.			Pump and VFD <b>ONLY</b> DOES NOT INCLUDE: Mounting brackets, wire harness, or vibration mounts. VFD shipped detached from the pump on a separate pallet. Customer to wall-mount VFD.		
Model	HP	Base Drive	Mechanical Disconnect	Fused Disconnect	Base Drive Not Mounted	Mechanical Disconnect Not Mounted	Fused Disconnect Not Mounted
SKV 1509	30	34,291.00	36,451.00	37,001.00	32,601.00	34,761.00	35,311.00
SKV 2009		35,171.00	37,331.00	37,881.00	33,481.00	35,641.00	36,191.00
SKV 2508		34,211.00	36,361.00	36,911.00	32,521.00	34,671.00	35,221.00
SKV 3007		33,701.00	35,861.00	36,401.00	32,011.00	34,171.00	34,711.00
SKV 3009		33,861.00	36,021.00	36,571.00	32,171.00	34,331.00	34,881.00
SKV 4007		34,321.00	36,481.00	37,031.00	32,631.00	34,791.00	35,341.00
SKV 4009		34,901.00	37,061.00	37,611.00	33,151.00	35,301.00	35,851.00
SKV 5007		34,861.00	37,021.00	37,571.00	33,111.00	35,261.00	35,811.00
SKV 1509	40	38,557.00	40,817.00	41,457.00	36,797.00	39,057.00	39,707.00
SKV 2009		40,137.00	42,397.00	43,047.00	37,677.00	39,937.00	40,587.00
SKV 2508		40,237.00	42,497.00	43,147.00	37,777.00	40,037.00	40,687.00
SKV 3007		38,657.00	40,927.00	41,567.00	36,207.00	38,467.00	39,117.00
SKV 3009		39,077.00	41,337.00	41,987.00	36,617.00	38,877.00	39,527.00
SKV 4007		39,287.00	41,547.00	42,197.00	36,827.00	39,087.00	39,737.00
SKV 4009		39,797.00	42,057.00	42,707.00	37,337.00	39,607.00	40,247.00
SKV 4075		41,347.00	43,607.00	44,257.00	38,887.00	41,147.00	41,797.00
SKV 5007		39,757.00	42,017.00	42,667.00	37,297.00	39,557.00	40,207.00
SKV 5075		40,827.00	43,087.00	43,727.00	38,367.00	40,627.00	41,277.00
SKV 2508	50	47,557.00	50,637.00	51,457.00	45,097.00	48,187.00	49,007.00
SKV 4009		48,227.00	51,317.00	52,137.00	45,767.00	48,857.00	49,677.00
SKV 4075		46,967.00	50,057.00	50,877.00	44,507.00	47,597.00	48,417.00
SKV 5007		46,757.00	49,837.00	50,667.00	44,297.00	47,387.00	48,207.00
SKV 5075		48,187.00	51,267.00	52,087.00	45,367.00	48,447.00	49,267.00
SKV 2508	60	57,066.00	60,666.00	61,626.00	54,246.00	57,846.00	58,806.00
SKV 3009		56,986.00	60,586.00	61,546.00	54,166.00	57,766.00	58,726.00
SKV 4009		57,696.00	61,296.00	62,256.00	54,876.00	58,476.00	59,436.00
SKV 5075		58,766.00	62,366.00	63,326.00	55,916.00	59,516.00	60,476.00

MOTOR FRAME SIZE (CODE)	STAINLESS STEEL SHAFT SLEEVES	SILICON-CARBIDE/ CARBON/EPT	EPT TUNGSTEN CARBIDE SEAL	STAINLESS STEEL SHAFT	CERTIFIED TEST CURVES
143-215 (H, J, K)	326.50	325.00	450.50	CONSULT FACTORY	2,118.00
254-256 (L)	366.00	325.00	608.00	CONSULT FACTORY	2,610.00
284-365 (M, N, R)	450.50	325.00	608.00	CONSULT FACTORY	2,860.00

OPTIONS		
FLANGE SIZE	250lb. WORKING PRESSURE	WEAR RINGS
1.5" - 2.5"	827.00	563.00
3" - 5"	1,276.00	654.00
6" - 10"	1,501.00	889.00

TEFC MOTOR DRIP CAPS Ships Unmounted		
PART NUMBER	MOTOR FRAME SIZE	LIST PRICE (\$)
951-6381RP	143-145	165.00
951-6382RP	182-184	192.00
951-6383RP	213-215	252.00
	284 and above	Consult Factory

LIST PRICE ADDER FOR SUPPORT STAND			
PUMP MODEL	PART NUMBER	LIST PRICE	SUPPORT STAND WEIGHT
SKV1506	953-3907	287.50	10 LBS
SKV1507	953-4062	287.50	10 LBS
SKV1509	953-4062	287.50	10 LBS
SKV2006	953-3986	386.00	19 LBS
SKV2007	953-4063	386.00	19 LBS
SKV2009	953-3986	386.00	19 LBS
SKV2011	953-3985	386.00	19 LBS
SKV2508	953-4064	386.00	19 LBS
SKV2510	953-3967	476.50	26 LBS
SKV3006	953-4066	476.50	26 LBS
SKV3007	953-4063	386.00	19 LBS
SKV3009	953-3983	476.50	26 LBS
SKV3011	953-4065	476.50	26 LBS
SKV3013	953-3973	774.00	47 LBS
SKV4007	953-3966	386.00	19 LBS
SKV4009	953-3974	774.00	47 LBS
SKV4011	953-3976	774.00	47 LBS
SKV4013	953-4067	774.00	47 LBS
SKV4075	953-3967	476.50	26 LBS
SKV5007	953-4068	964.00	66 LBS
SKV5075	953-4068	964.00	66 LBS
SKV5095	953-4068	964.00	66 LBS
SKV6009	953-3968	964.00	66 LBS
SKV6011	953-3988	964.00	66 LBS
SKV6013	953-4069	964.00	66 LBS
SKV8011	953-3991	1,286.00	100 LBS
SKV8013	953-4070	1,286.00	100 LBS

## Do it Once. Do it Right.™

TACO INC., 1160 Cranston Street, Cranston, RI 02920 Telephone: (401) 942-8000 Fax: (401) 942-2360  
TACO (Canada), Ltd., 8450 Lawson Road, Milton, Ontario L9T 0J8 Telephone: (905) 564-9422 Fax: (905) 564-9436  
Visit our website at: [www.taco-hvac.com](http://www.taco-hvac.com)

Printed in USA

Copyright 2006

TACO, Inc.





# Suggested List Prices

## SKS Self-Sensing Pumps (NEMA 12 Enclosures)

Supersedes:

Updated: June 18, 2014

Effective: August 12, 2013

SKS Series 1800rpm 208v-230v/1.....	2
SKS Series 1800rpm 208v-230v/3.....	3 - 4
SKS Series 1800rpm 380v-460v/3.....	5 - 7
SKS Series 1800rpm 575v-600v/3.....	8 - 10
SKS Series 3600rpm 208v-230v/3.....	11 - 12
SKS Series 3600rpm 380v-460v/3.....	13 - 14
SKS Series 3600rpm 575v-600v/3.....	15 - 16
Options and Accessories.....	17 - 18

### Designations

All prices are factory list prices in US\$

n/a = Not Available

n/c = Standard, no charge

### Policies

All orders are subject to a minimum billing of \$50 Net. For information and Discount Schedule, please contact your Taco Representative or the factory.

One instruction manual per drive is included.

Startup charges are not included in the drive price.



### Standard Specifications:

Cast Iron Casing, Bronze Impeller, Bronze Shaft Sleeve

Ceramic Mechanical Seal, Ball Bearing JM Frame Motor.

\*1.5 HP through 60 HP, PREMIUM EFFICIENCY, are 230/460/60/3 TEFC motors for 208-230/460v and 200/60/3 TEFC motors for 200v.

\*MAX HP on SKS pumps is 60 HP mounted, up to 250 HP unmounted @ 230v/460v.

**Do it Once. Do it Right.™**

TACO INC., 1160 Cranston Street, Cranston, RI 02920 Telephone: (401) 942-8000 Fax: (401) 942-2360  
TACO (Canada), Ltd., 8450 Lawson Road, Milton, Ontario L9T 0J8 Telephone: (905) 564-9422 Fax: (905) 564-9436  
Visit our website at: [www.taco-hvac.com](http://www.taco-hvac.com)

Printed in USA

Copyright 2007

TACO, Inc.

1800rpm 208v-230v/1					
		Pump and VFD including mounting brackets, wire harness, and vibration mounts. VFD Shipping Options: 1.) Attached to the pump, or 2.) Detached from the pump on a separate pallet.		Pump and VFD <u>ONLY</u> DOES NOT INCLUDE: Mounting brackets, wire harness, or vibration mounts. VFD shipped detached from the pump on a separate pallet. Customer to wall-mount VFD.	
SKS Model	HP	Base Drive	Mechanical Disconnect	Base Drive Unmounted	Mechanical Disconnect Unmounted
1506	1.5	16,039.00	17,689.00	15,039.00	16,689.00
1507		16,369.00	18,019.00	15,369.00	17,019.00
2006		16,189.00	17,849.00	15,199.00	16,849.00
2007		16,569.00	18,219.00	15,569.00	17,219.00
3006		16,349.00	18,009.00	15,359.00	17,009.00
1507	2.0	17,129.00	18,849.00	16,129.00	17,849.00
1509		17,699.00	19,429.00	16,709.00	18,429.00
2007		17,279.00	18,999.00	16,279.00	17,999.00
3007		17,659.00	19,379.00	16,659.00	18,379.00
1509	3.0	18,378.00	20,128.00	17,278.00	19,018.00
2007		18,088.00	19,838.00	16,988.00	18,728.00
2009		18,398.00	20,148.00	17,298.00	19,038.00
3007		18,478.00	20,228.00	17,378.00	19,118.00
3009		17,858.00	19,608.00	16,748.00	18,498.00
4007		18,998.00	20,748.00	17,898.00	19,638.00
1509	5.0	20,128.00	26,058.00	19,018.00	24,948.00
2009		20,138.00	26,068.00	19,038.00	24,968.00
2011		21,388.00	27,318.00	20,288.00	26,218.00
2508		20,398.00	26,328.00	19,288.00	25,228.00
3007		20,218.00	26,148.00	19,118.00	25,048.00
3009		20,338.00	26,268.00	19,238.00	25,168.00
4007		20,738.00	26,678.00	19,638.00	25,568.00
4009		21,828.00	27,758.00	20,728.00	26,658.00
4075		21,788.00	27,718.00	20,678.00	26,608.00
5007		21,598.00	27,528.00	20,488.00	26,428.00
5075		22,078.00	28,008.00	20,968.00	26,908.00
2011	7.5	23,782.00	25,602.00	22,682.00	24,492.00
2508		23,362.00	25,172.00	22,252.00	24,062.00
2510		24,652.00	26,462.00	23,542.00	25,362.00
3011		24,172.00	25,982.00	23,062.00	24,872.00
4007		23,702.00	25,512.00	22,592.00	24,412.00
4009		24,072.00	25,882.00	22,962.00	24,772.00
4011		25,742.00	27,552.00	24,632.00	26,452.00
4075		24,742.00	26,552.00	23,642.00	25,452.00
5007		24,562.00	26,372.00	23,452.00	25,262.00
5075		25,032.00	26,852.00	23,932.00	25,742.00
6009		25,212.00	27,022.00	24,102.00	25,912.00



1800rpm 208v-230v/3								
		Pump and VFD including mounting brackets, wire harness, and vibration mounts. VFD Shipping Options: 1.) Attached to the pump, or 2.) Detached from the pump on a separate pallet.			Pump and VFD <u>ONLY</u> DOES NOT INCLUDE: Mounting brackets, wire harness, or vibration mounts. VFD shipped detached from the pump on a separate pallet. Customer to wall-mount VFD.			
SKS Model	HP	Base Drive	Mechanical Disconnect	Fused Disconnect	Base Drive Unmounted	Mechanical Disconnect Unmounted	Fused Disconnect Unmounted	
1506	1.5	12,249.00	13,759.00	13,919.00	11,259.00	12,759.00	12,919.00	
1507		12,579.00	14,089.00	14,249.00	11,589.00	13,089.00	13,249.00	
2006		12,409.00	13,919.00	14,079.00	11,409.00	12,919.00	13,079.00	
2007		12,789.00	14,289.00	14,459.00	11,789.00	13,289.00	13,459.00	
3006		12,569.00	14,069.00	14,239.00	11,569.00	13,079.00	13,239.00	
1507	2.0	13,009.00	14,679.00	14,869.00	12,009.00	13,689.00	13,869.00	
1509		13,579.00	15,259.00	15,449.00	12,589.00	14,259.00	14,449.00	
2007		13,159.00	14,839.00	15,019.00	12,159.00	13,839.00	14,029.00	
3007		13,539.00	15,209.00	15,399.00	12,539.00	14,219.00	14,399.00	
1509	3.0	13,998.00	15,768.00	15,958.00	12,888.00	14,658.00	14,848.00	
2007		13,708.00	15,478.00	15,668.00	12,598.00	14,368.00	14,558.00	
2009		14,018.00	15,788.00	15,978.00	12,908.00	14,678.00	14,868.00	
3007		14,098.00	15,868.00	16,058.00	12,988.00	14,758.00	14,948.00	
3009		13,478.00	15,248.00	15,438.00	12,368.00	14,138.00	14,328.00	
4007		14,618.00	16,388.00	16,578.00	13,508.00	15,278.00	15,478.00	
1509		5.0	14,968.00	16,728.00	16,938.00	13,838.00	15,598.00	15,808.00
2009	14,988.00		16,738.00	16,958.00	13,858.00	15,608.00	15,828.00	
2011	16,238.00		17,988.00	18,208.00	15,108.00	16,858.00	17,078.00	
2508	15,248.00		16,998.00	17,218.00	14,118.00	15,868.00	16,088.00	
3007	15,068.00		16,818.00	17,038.00	13,938.00	15,688.00	15,908.00	
3009	15,188.00		16,938.00	17,158.00	14,058.00	15,808.00	16,028.00	
4007	15,588.00		17,348.00	17,558.00	14,458.00	16,218.00	16,428.00	
4009	16,678.00		18,428.00	18,648.00	15,548.00	17,298.00	17,518.00	
4075	16,628.00		18,388.00	18,598.00	15,498.00	17,258.00	17,468.00	
5007	16,448.00		18,198.00	18,418.00	15,318.00	17,068.00	17,288.00	
5075	16,928.00		18,678.00	18,898.00	15,798.00	17,548.00	17,768.00	
2011	7.5		17,422.00	18,812.00	19,042.00	16,222.00	17,602.00	17,832.00
2508			16,992.00	18,382.00	18,612.00	15,792.00	17,172.00	17,412.00
2510		18,292.00	19,672.00	19,912.00	17,082.00	18,472.00	18,702.00	
3011		17,802.00	19,192.00	19,422.00	16,602.00	17,982.00	18,212.00	
4007		17,342.00	18,722.00	18,962.00	16,132.00	17,522.00	17,752.00	
4009		17,712.00	19,092.00	19,322.00	16,502.00	17,882.00	18,122.00	
4011		19,382.00	20,762.00	21,002.00	18,172.00	19,562.00	19,792.00	
4075		18,382.00	19,772.00	20,002.00	17,172.00	18,562.00	18,792.00	
5007		18,192.00	19,582.00	19,812.00	16,992.00	18,372.00	18,602.00	
5075		18,672.00	20,062.00	20,292.00	17,472.00	18,852.00	19,082.00	
6009		18,842.00	20,232.00	20,462.00	17,642.00	19,022.00	19,252.00	

1800rpm 208v-230v/3							
		Pump and VFD including mounting brackets, wire harness, and vibration mounts. VFD Shipping Options: 1.) Attached to the pump, or 2.) Detached from the pump on a separate pallet.			Pump and VFD <u>ONLY</u> DOES NOT INCLUDE: Mounting brackets, wire harness, or vibration mounts. VFD shipped detached from the pump on a separate pallet. Customer to wall-mount VFD.		
SKS Model	HP	Base Drive	Mechanical Disconnect	Fused Disconnect	Base Drive Unmounted	Mechanical Disconnect Unmounted	Fused Disconnect Unmounted
2011	10	19,152.00	20,602.00	20,872.00	17,382.00	18,832.00	19,102.00
2510		19,752.00	21,212.00	21,472.00	17,982.00	19,442.00	19,702.00
3011		19,572.00	21,032.00	21,292.00	17,802.00	19,262.00	19,532.00
3013		20,872.00	22,322.00	22,592.00	19,102.00	20,552.00	20,822.00
4009		19,392.00	20,852.00	21,112.00	17,622.00	19,082.00	19,342.00
4011		21,122.00	22,572.00	22,842.00	19,352.00	20,812.00	21,072.00
4013		21,972.00	23,432.00	23,702.00	20,212.00	21,662.00	21,932.00
5075		20,412.00	21,872.00	22,132.00	18,642.00	20,102.00	20,372.00
6009		20,582.00	22,042.00	22,302.00	18,812.00	20,272.00	20,532.00
2510		15	25,649.00	27,129.00	27,439.00	23,299.00	24,769.00
3011	25,289.00		26,769.00	27,089.00	22,939.00	24,419.00	24,729.00
3013	26,279.00		27,759.00	28,069.00	23,929.00	25,409.00	25,719.00
4011	26,069.00		27,549.00	27,859.00	23,709.00	25,189.00	25,499.00
4013	28,079.00		29,559.00	29,869.00	25,719.00	27,199.00	27,519.00
5095	26,839.00		28,319.00	28,629.00	24,479.00	25,959.00	26,279.00
6009	26,389.00		27,869.00	28,179.00	24,029.00	25,509.00	25,819.00
6011	27,729.00		29,209.00	29,519.00	25,379.00	26,849.00	27,169.00
3013	20	30,009.00	31,609.00	31,999.00	27,209.00	28,799.00	29,199.00
4011		29,799.00	31,389.00	31,789.00	26,999.00	28,589.00	28,979.00
4013		30,929.00	32,519.00	32,909.00	28,119.00	29,709.00	30,109.00
5095		30,569.00	32,159.00	32,559.00	27,769.00	29,359.00	29,759.00
6011		31,479.00	33,069.00	33,469.00	28,679.00	30,269.00	30,659.00
6013		32,749.00	34,339.00	34,739.00	29,949.00	31,539.00	31,929.00
8011		34,069.00	35,669.00	36,059.00	31,269.00	32,859.00	33,259.00
4013	25	37,991.00	40,021.00	40,511.00	34,421.00	36,441.00	36,941.00
5095		37,491.00	39,511.00	40,011.00	33,911.00	35,941.00	36,431.00
6011		38,131.00	40,151.00	40,641.00	34,551.00	36,581.00	37,071.00
6013		39,131.00	41,161.00	41,651.00	35,561.00	37,581.00	38,081.00
8011		40,951.00	42,971.00	43,471.00	37,371.00	39,401.00	39,891.00
4013	30	41,391.00	43,791.00	44,381.00	37,821.00	40,221.00	40,811.00
6011		41,521.00	43,921.00	44,511.00	37,951.00	40,351.00	40,941.00
6013		42,531.00	44,931.00	45,521.00	38,961.00	41,361.00	41,951.00
8011		44,381.00	46,791.00	47,371.00	40,811.00	43,221.00	43,801.00
1013	40	57,947.00	61,437.00	62,177.00	53,517.00	57,017.00	57,757.00
6013		50,987.00	54,477.00	55,217.00	46,557.00	50,057.00	50,797.00
8011		52,667.00	56,157.00	56,897.00	48,237.00	51,737.00	52,477.00
8013		53,307.00	56,797.00	57,547.00	48,887.00	52,377.00	53,117.00
1013	50	61,877.00	65,437.00	66,257.00	56,567.00	60,127.00	60,947.00
6013		54,737.00	58,297.00	59,117.00	49,427.00	52,987.00	53,807.00
8011		56,477.00	60,037.00	60,847.00	51,167.00	54,727.00	55,537.00
8013		57,237.00	60,797.00	61,617.00	51,927.00	55,487.00	56,307.00
1013	60	77,056.00	80,676.00	81,636.00	71,426.00	75,046.00	76,006.00
6013		70,436.00	74,046.00	75,006.00	64,806.00	68,416.00	69,376.00
8013		72,756.00	76,376.00	77,336.00	67,126.00	70,746.00	71,706.00

1800rpm 380v-460v/3								
		Pump and VFD including mounting brackets, wire harness, and vibration mounts. VFD Shipping Options: 1.) Attached to the pump, or 2.) Detached from the pump on a separate pallet.			Pump and VFD <u>ONLY</u> DOES NOT INCLUDE: Mounting brackets, wire harness, or vibration mounts. VFD shipped detached from the pump on a separate pallet. Customer to wall-mount VFD.			
SKS Model	HP	Base Drive	Mechanical Disconnect	Fused Disconnect	Base Drive Unmounted	Mechanical Disconnect Unmounted	Fused Disconnect Unmounted	
1506	1.5	12,049.00	13,439.00	13,599.00	11,049.00	12,449.00	12,599.00	
1507		12,379.00	13,769.00	13,929.00	11,379.00	12,779.00	12,929.00	
2006		12,199.00	13,599.00	13,759.00	11,209.00	12,609.00	12,759.00	
2007		12,579.00	13,979.00	14,129.00	11,579.00	12,979.00	13,129.00	
3006		12,359.00	13,759.00	13,919.00	11,369.00	12,759.00	12,919.00	
1507	2.0	12,649.00	14,139.00	14,309.00	11,649.00	13,139.00	13,309.00	
1509		13,219.00	14,719.00	14,879.00	12,229.00	13,719.00	13,889.00	
2007		12,799.00	14,289.00	14,459.00	11,799.00	13,299.00	13,459.00	
3007		13,179.00	14,669.00	14,839.00	12,179.00	13,669.00	13,839.00	
1509	3.0	13,718.00	15,348.00	15,528.00	12,608.00	14,238.00	14,418.00	
2007		13,428.00	15,058.00	15,238.00	12,318.00	13,948.00	14,128.00	
2009		13,728.00	15,368.00	15,548.00	12,628.00	14,258.00	14,438.00	
3007		13,818.00	15,448.00	15,628.00	12,708.00	14,338.00	14,518.00	
3009		13,188.00	14,828.00	15,008.00	12,088.00	13,718.00	13,898.00	
4007		14,338.00	15,968.00	16,148.00	13,228.00	14,868.00	15,038.00	
1509	5.0	14,538.00	16,128.00	16,318.00	13,428.00	15,018.00	15,218.00	
2009		14,548.00	16,138.00	16,338.00	13,448.00	15,038.00	15,228.00	
2011		15,798.00	17,388.00	17,588.00	14,698.00	16,288.00	16,478.00	
2508		14,808.00	16,398.00	16,598.00	13,708.00	15,298.00	15,488.00	
3007		14,638.00	16,218.00	16,418.00	13,528.00	15,118.00	15,308.00	
3009		14,748.00	16,338.00	16,538.00	13,648.00	15,238.00	15,428.00	
4007		15,158.00	16,748.00	16,938.00	14,048.00	15,638.00	15,828.00	
4009		16,248.00	17,828.00	18,028.00	15,138.00	16,728.00	16,918.00	
4075		16,198.00	17,788.00	17,978.00	15,088.00	16,678.00	16,878.00	
5007		16,008.00	17,598.00	17,798.00	14,908.00	16,498.00	16,688.00	
5075		16,488.00	18,078.00	18,278.00	15,388.00	16,968.00	17,168.00	
2011		7.5	16,632.00	18,062.00	18,272.00	15,532.00	16,952.00	17,162.00
2508			16,202.00	17,632.00	17,842.00	15,102.00	16,532.00	16,732.00
2510	17,502.00		18,932.00	19,132.00	16,392.00	17,822.00	18,032.00	
3011	17,012.00		18,442.00	18,652.00	15,912.00	17,332.00	17,542.00	
4007	16,552.00		17,982.00	18,182.00	15,442.00	16,872.00	17,082.00	
4009	16,922.00		18,342.00	18,552.00	15,812.00	17,242.00	17,452.00	
4011	18,592.00		20,022.00	20,222.00	17,482.00	18,912.00	19,122.00	
4075	17,592.00		19,022.00	19,222.00	16,482.00	17,912.00	18,122.00	
5007	17,402.00		18,832.00	19,042.00	16,302.00	17,722.00	17,932.00	
5075	17,882.00		19,312.00	19,522.00	16,782.00	18,202.00	18,412.00	
6009		18,052.00	19,482.00	19,692.00	16,952.00	18,382.00	18,582.00	

1800rpm 380v-460v/3								
		Pump and VFD including mounting brackets, wire harness, and vibration mounts. VFD Shipping Options: 1.) Attached to the pump, or 2.) Detached from the pump on a separate pallet.			Pump and VFD <u>ONLY</u> DOES NOT INCLUDE: Mounting brackets, wire harness, or vibration mounts. VFD shipped detached from the pump on a separate pallet. Customer to wall-mount VFD.			
SKS Model	HP	Base Drive	Mechanical Disconnect	Fused Disconnect	Base Drive Unmounted	Mechanical Disconnect Unmounted	Fused Disconnect Unmounted	
2011	10	17,612.00	19,002.00	19,232.00	16,482.00	17,872.00	18,102.00	
2510		18,222.00	19,602.00	19,842.00	17,092.00	18,472.00	18,712.00	
3011		18,032.00	19,422.00	19,662.00	16,902.00	18,292.00	18,532.00	
3013		19,332.00	20,722.00	20,952.00	18,202.00	19,592.00	19,822.00	
4009		17,852.00	19,242.00	19,472.00	16,722.00	18,112.00	18,342.00	
4011		19,582.00	20,972.00	21,202.00	18,452.00	19,842.00	20,072.00	
4013		20,442.00	21,832.00	22,062.00	19,312.00	20,702.00	20,932.00	
5075		18,882.00	20,262.00	20,502.00	17,752.00	19,132.00	19,372.00	
6009		19,052.00	20,432.00	20,662.00	17,912.00	19,302.00	19,532.00	
2510		15	23,029.00	24,429.00	24,709.00	21,909.00	23,299.00	23,589.00
3011	22,679.00		24,079.00	24,359.00	21,549.00	22,949.00	23,229.00	
3013	23,669.00		25,059.00	25,349.00	22,539.00	23,939.00	24,219.00	
4011	23,449.00		24,849.00	25,129.00	22,319.00	23,719.00	23,999.00	
4013	25,459.00		26,859.00	27,139.00	24,339.00	25,729.00	26,019.00	
5095	24,219.00		25,619.00	25,899.00	23,099.00	24,489.00	24,779.00	
6009	23,769.00		25,169.00	25,449.00	22,639.00	24,039.00	24,319.00	
6011	25,109.00		26,509.00	26,789.00	23,989.00	25,379.00	25,669.00	
3013	20		27,469.00	29,089.00	29,419.00	25,779.00	27,399.00	27,729.00
4011			27,259.00	28,859.00	29,199.00	25,559.00	27,169.00	27,509.00
4013		28,379.00	29,989.00	30,329.00	26,689.00	28,299.00	28,639.00	
5095		28,029.00	29,659.00	29,979.00	26,339.00	27,969.00	28,289.00	
6011		28,939.00	30,549.00	30,889.00	27,249.00	28,859.00	29,199.00	
6013		30,199.00	31,809.00	32,149.00	28,509.00	30,119.00	30,459.00	
8011		31,529.00	33,139.00	33,479.00	29,839.00	31,449.00	31,789.00	
4013		25	35,021.00	36,721.00	37,141.00	32,671.00	34,371.00	34,791.00
5095	34,521.00		36,211.00	36,631.00	32,171.00	33,861.00	34,281.00	
6011	35,151.00		36,851.00	37,271.00	32,801.00	34,501.00	34,921.00	
6013	36,161.00		37,861.00	38,281.00	33,811.00	35,511.00	35,931.00	
8011	37,981.00		39,671.00	40,091.00	35,631.00	37,321.00	37,741.00	
4013	30	37,841.00	39,711.00	40,191.00	35,421.00	37,301.00	37,771.00	
6011		37,971.00	39,841.00	40,321.00	35,561.00	37,431.00	37,911.00	
6013		38,981.00	40,851.00	41,331.00	36,571.00	38,441.00	38,921.00	
8011		40,831.00	42,711.00	43,181.00	38,421.00	40,291.00	40,771.00	
1013		40	53,167.00	54,927.00	55,487.00	50,287.00	52,047.00	52,607.00
6013	46,207.00		47,957.00	48,527.00	43,327.00	45,087.00	45,647.00	
8011	47,887.00		49,637.00	50,207.00	45,007.00	46,767.00	47,327.00	
8013	48,527.00		50,287.00	50,847.00	45,647.00	47,407.00	47,967.00	
1013	50		57,977.00	60,657.00	61,377.00	54,517.00	57,197.00	57,907.00
6013		50,837.00	53,517.00	54,227.00	47,367.00	50,057.00	50,767.00	
8011		52,567.00	55,257.00	55,967.00	49,107.00	51,787.00	52,507.00	
8013		53,337.00	56,017.00	56,737.00	49,877.00	52,557.00	53,267.00	
1013		60	72,596.00	75,726.00	76,566.00	68,396.00	71,536.00	72,366.00
6013	65,966.00		69,096.00	69,936.00	61,776.00	64,906.00	65,736.00	
8013	68,296.00		71,426.00	72,266.00	64,096.00	67,236.00	68,066.00	

1800rpm 380v-460v/3							
		Pump and VFD including mounting brackets, wire harness, and vibration mounts. VFD Shipping Options: 1.) Attached to the pump, or 2.) Detached from the pump on a separate pallet.			Pump and VFD <u>ONLY</u> DOES NOT INCLUDE: Mounting brackets, wire harness, or vibration mounts. VFD shipped detached from the pump on a separate pallet. Customer to wall-mount VFD.		
SKS Model	HP	Base Drive	Mechanical Disconnect	Fused Disconnect	Base Drive Unmounted	Mechanical Disconnect Unmounted	Fused Disconnect Unmounted
1013	75	n/a	n/a	n/a	76,030.00	79,530.00	80,460.00
1213		n/a	n/a	n/a	90,220.00	93,720.00	94,650.00
8013		n/a	n/a	n/a	72,390.00	75,900.00	76,830.00
8016		n/a	n/a	n/a	77,590.00	81,100.00	82,030.00
1013	100	n/a	n/a	n/a	87,810.00	92,060.00	93,190.00
1213		n/a	n/a	n/a	101,300.00	105,560.00	106,690.00
8016		n/a	n/a	n/a	89,780.00	94,030.00	95,160.00
1016	125	n/a	n/a	n/a	114,130.00	119,240.00	120,600.00
1213		n/a	n/a	n/a	120,200.00	125,310.00	126,670.00
8016		n/a	n/a	n/a	113,890.00	119,000.00	120,360.00
1016	150	n/a	n/a	n/a	128,440.00	n/a	135,930.00
1213		n/a	n/a	n/a	133,320.00	n/a	140,800.00
8016		n/a	n/a	n/a	121,390.00	n/a	128,870.00
1016	200	n/a	n/a	n/a	157,890.00	n/a	165,560.00
1213		n/a	n/a	n/a	161,580.00	n/a	169,250.00
8016		n/a	n/a	n/a	147,700.00	n/a	155,360.00
1016	250	n/a	n/a	n/a	196,430.00	n/a	206,420.00
1213		n/a	n/a	n/a	200,140.00	n/a	210,140.00
1217		n/a	n/a	n/a	210,870.00	n/a	220,870.00

\*\* Price includes isolated bearing



1800rpm 575v-600v/3							
		Pump and VFD including mounting brackets, wire harness, and vibration mounts. VFD Shipping Options: 1.) Attached to the pump, or 2.) Detached from the pump on a separate pallet.			Pump and VFD <u>ONLY</u> DOES NOT INCLUDE: Mounting brackets, wire harness, or vibration mounts. VFD shipped detached from the pump on a separate pallet. Customer to wall-mount VFD.		
SKS Model	HP	Base Drive	Mechanical Disconnect	Fused Disconnect	Base Drive Unmounted	Mechanical Disconnect Unmounted	Fused Disconnect Unmounted
1506	1.5	12,849.00	14,639.00	14,829.00	11,859.00	13,639.00	13,829.00
1507		13,179.00	14,969.00	15,159.00	12,189.00	13,969.00	14,159.00
2006		13,009.00	14,799.00	14,989.00	12,019.00	13,799.00	13,989.00
2007		13,389.00	15,169.00	15,359.00	12,389.00	14,179.00	14,359.00
3006		13,169.00	14,959.00	15,149.00	12,169.00	13,959.00	14,149.00
1507	2.0	13,379.00	15,099.00	15,289.00	12,379.00	14,099.00	14,289.00
1509		13,949.00	15,679.00	15,869.00	12,959.00	14,679.00	14,869.00
2007		13,529.00	15,249.00	15,439.00	12,529.00	14,259.00	14,439.00
3007		13,909.00	15,629.00	15,819.00	12,909.00	14,639.00	14,819.00
1509	3.0	14,578.00	16,458.00	16,658.00	13,478.00	15,348.00	15,558.00
2007		14,288.00	16,168.00	16,368.00	13,188.00	15,058.00	15,268.00
2009		14,598.00	16,478.00	16,678.00	13,498.00	15,368.00	15,568.00
3007		14,678.00	16,558.00	16,758.00	13,578.00	15,448.00	15,658.00
3009		14,058.00	15,938.00	16,138.00	12,958.00	14,828.00	15,028.00
4007		15,208.00	17,078.00	17,278.00	14,098.00	15,968.00	16,178.00
1509	5.0	15,358.00	17,188.00	17,408.00	14,258.00	16,078.00	16,308.00
2009		15,378.00	17,198.00	17,428.00	14,268.00	16,098.00	16,318.00
2011		16,628.00	18,448.00	18,678.00	15,518.00	17,348.00	17,568.00
2508		15,638.00	17,458.00	17,688.00	14,528.00	16,358.00	16,578.00
3007		15,458.00	17,278.00	17,508.00	14,348.00	16,178.00	16,398.00
3009		15,578.00	17,398.00	17,628.00	14,468.00	16,298.00	16,518.00
4007		15,978.00	17,808.00	18,028.00	14,878.00	16,698.00	16,918.00
4009		17,068.00	18,898.00	19,118.00	15,958.00	17,788.00	18,008.00
4075		17,018.00	18,848.00	19,068.00	15,918.00	17,738.00	17,968.00
5007		16,838.00	18,658.00	18,888.00	15,728.00	17,558.00	17,778.00
5075		17,318.00	19,138.00	19,368.00	16,208.00	18,038.00	18,258.00
2011		7.5	17,602.00	19,242.00	19,482.00	16,502.00	18,132.00
2508	17,172.00		18,812.00	19,052.00	16,072.00	17,712.00	17,952.00
2510	18,472.00		20,112.00	20,352.00	17,362.00	19,002.00	19,242.00
3011	17,982.00		19,622.00	19,862.00	16,882.00	18,512.00	18,762.00
4007	17,522.00		19,162.00	19,402.00	16,412.00	18,052.00	18,292.00
4009	17,892.00		19,522.00	19,762.00	16,782.00	18,422.00	18,662.00
4011	19,562.00		21,202.00	21,442.00	18,452.00	20,092.00	20,332.00
4075	18,562.00		20,202.00	20,442.00	17,452.00	19,092.00	19,332.00
5007	18,372.00		20,012.00	20,252.00	17,272.00	18,902.00	19,152.00
5075	18,852.00		20,492.00	20,732.00	17,752.00	19,382.00	19,632.00
6009	19,022.00		20,662.00	20,902.00	17,922.00	19,562.00	19,802.00



1800rpm 575v-600v/3							
		Pump and VFD including mounting brackets, wire harness, and vibration mounts. VFD Shipping Options: 1.) Attached to the pump, or 2.) Detached from the pump on a separate pallet.			Pump and VFD <u>ONLY</u> DOES NOT INCLUDE: Mounting brackets, wire harness, or vibration mounts. VFD shipped detached from the pump on a separate pallet. Customer to wall-mount VFD.		
SKS Model	HP	Base Drive	Mechanical Disconnect	Fused Disconnect	Base Drive Unmounted	Mechanical Disconnect Unmounted	Fused Disconnect Unmounted
2011	10	18,702.00	20,292.00	20,552.00	17,592.00	19,182.00	19,452.00
2510		19,302.00	20,892.00	21,162.00	18,192.00	19,792.00	20,052.00
3011		19,122.00	20,712.00	20,982.00	18,022.00	19,612.00	19,872.00
3013		20,412.00	22,012.00	22,272.00	19,312.00	20,902.00	21,172.00
4009		18,942.00	20,532.00	20,802.00	17,832.00	19,422.00	19,692.00
4011		20,672.00	22,262.00	22,522.00	19,562.00	21,152.00	21,422.00
4013		21,522.00	23,122.00	23,382.00	20,422.00	22,012.00	22,282.00
5075		19,962.00	21,552.00	21,822.00	18,862.00	20,452.00	20,712.00
6009		20,132.00	21,722.00	21,992.00	19,022.00	20,622.00	20,882.00
2510		15	23,979.00	25,589.00	25,909.00	22,859.00	24,469.00
3011	23,619.00		25,229.00	25,549.00	22,499.00	24,109.00	24,439.00
3013	24,609.00		26,219.00	26,539.00	23,489.00	25,099.00	25,419.00
4011	24,389.00		25,999.00	26,319.00	23,279.00	24,889.00	25,209.00
4013	26,399.00		28,009.00	28,339.00	25,289.00	26,899.00	27,219.00
5095	25,159.00		26,769.00	27,099.00	24,049.00	25,659.00	25,979.00
6009	24,709.00		26,319.00	26,639.00	23,599.00	25,209.00	25,529.00
6011	26,059.00		27,669.00	27,989.00	24,939.00	26,549.00	26,869.00
3013	26,749.00		28,599.00	28,999.00	25,849.00	27,699.00	28,089.00
4011	26,539.00		28,389.00	28,779.00	25,629.00	27,479.00	27,879.00
4013	27,659.00	29,509.00	29,909.00	26,759.00	28,609.00	28,999.00	
5095	27,309.00	29,179.00	29,579.00	26,399.00	28,279.00	28,669.00	
6011	28,219.00	30,069.00	30,459.00	27,309.00	29,159.00	29,559.00	
6013	29,489.00	31,339.00	31,729.00	28,579.00	30,429.00	30,829.00	
8011	30,809.00	32,659.00	33,059.00	29,909.00	31,759.00	32,149.00	
4013	25	35,841.00	37,791.00	38,271.00	34,151.00	36,101.00	36,581.00
5095		35,331.00	37,281.00	37,761.00	33,641.00	35,591.00	36,071.00
6011		35,971.00	37,921.00	38,401.00	34,281.00	36,231.00	36,711.00
6013		36,981.00	38,931.00	39,411.00	35,291.00	37,241.00	37,721.00
8011		38,791.00	40,741.00	41,221.00	37,101.00	39,051.00	39,531.00
4013	30	38,871.00	41,031.00	41,581.00	37,121.00	39,281.00	39,821.00
6011		39,011.00	41,161.00	41,711.00	37,251.00	39,411.00	39,961.00
6013		40,021.00	42,171.00	42,721.00	38,261.00	40,421.00	40,971.00
8011		41,871.00	44,031.00	44,571.00	40,111.00	42,271.00	42,821.00
1013	40	54,567.00	56,827.00	57,467.00	52,107.00	54,367.00	55,017.00
6013		47,607.00	49,867.00	50,507.00	45,147.00	47,407.00	48,057.00
8011		49,287.00	51,547.00	52,187.00	46,827.00	49,087.00	49,737.00
8013		49,927.00	52,187.00	52,837.00	47,467.00	49,727.00	50,377.00
1013	50	59,877.00	62,967.00	63,787.00	57,057.00	60,147.00	60,967.00
6013		52,737.00	55,827.00	56,647.00	49,917.00	53,007.00	53,827.00
8011		54,467.00	57,557.00	58,377.00	51,657.00	54,737.00	55,557.00
8013		55,237.00	58,327.00	59,147.00	52,417.00	55,507.00	56,327.00
1013	60	74,226.00	77,826.00	78,786.00	71,376.00	74,976.00	75,936.00
6013		67,596.00	71,196.00	72,156.00	64,746.00	68,346.00	69,306.00
8013		69,926.00	73,526.00	74,486.00	67,076.00	70,676.00	71,636.00

1800rpm 575v-600v/3							
		Pump and VFD including mounting brackets, wire harness, and vibration mounts. VFD Shipping Options: 1.) Attached to the pump, or 2.) Detached from the pump on a separate pallet.			Pump and VFD <u>ONLY</u> DOES NOT INCLUDE: Mounting brackets, wire harness, or vibration mounts. VFD shipped detached from the pump on a separate pallet. Customer to wall-mount VFD.		
SKS Model	HP	Base Drive	Mechanical Disconnect	Fused Disconnect	Base Drive Unmounted	Mechanical Disconnect Unmounted	Fused Disconnect Unmounted
1013	75	n/a	n/a	n/a	80,660.00	84,680.00	85,760.00
1213		n/a	n/a	n/a	94,850.00	98,870.00	99,950.00
8013		n/a	n/a	n/a	77,020.00	81,050.00	82,120.00
8016		n/a	n/a	n/a	82,220.00	86,250.00	87,320.00
1013	100	n/a	n/a	n/a	93,450.00	98,340.00	99,640.00
8016		n/a	n/a	n/a	95,420.00	100,310.00	101,610.00
1213		n/a	n/a	n/a	106,950.00	111,840.00	113,140.00
1016	125	n/a	n/a	n/a	121,260.00	127,140.00	128,700.00
8016		n/a	n/a	n/a	121,020.00	126,900.00	128,460.00
1213		n/a	n/a	n/a	127,330.00	133,210.00	134,770.00
8016	150	n/a	n/a	n/a	129,570.00	n/a	138,170.00
1213		n/a	n/a	n/a	141,500.00	n/a	150,100.00
1016		n/a	n/a	n/a	136,620.00	n/a	145,230.00
1016	200	n/a	n/a	n/a	170,220.00	n/a	177,480.00
8016		n/a	n/a	n/a	160,030.00	n/a	167,290.00
1213		n/a	n/a	n/a	173,910.00	n/a	181,170.00
1016	250	n/a	n/a	n/a	205,220.00	n/a	214,890.00
1213		n/a	n/a	n/a	208,930.00	n/a	218,600.00
1217		n/a	n/a	n/a	219,660.00	n/a	229,330.00

\*\* Price includes isolated bearing

3600rpm 208v-230v/3							
		Pump and VFD including mounting brackets, wire harness, and vibration mounts. VFD Shipping Options: 1.) Attached to the pump, or 2.) Detached from the pump on a separate pallet.			Pump and VFD <u>ONLY</u> DOES NOT INCLUDE: Mounting brackets, wire harness, or vibration mounts. VFD shipped detached from the pump on a separate pallet. Customer to wall-mount VFD.		
SKS Model	HP	Base Drive	Mechanical Disconnect	Fused Disconnect	Base Drive Unmounted	Mechanical Disconnect Unmounted	Fused Disconnect Unmounted
1506	3.0	13,148.00	14,918.00	15,108.00	12,038.00	13,808.00	13,998.00
2006		13,308.00	15,078.00	15,278.00	12,208.00	13,978.00	14,168.00
1506	5.0	14,468.00	16,228.00	16,438.00	13,338.00	15,098.00	15,308.00
1507		14,988.00	16,738.00	16,958.00	13,858.00	15,608.00	15,828.00
2006		14,738.00	16,488.00	16,708.00	13,608.00	15,358.00	15,578.00
3006		14,908.00	16,668.00	16,878.00	13,778.00	15,538.00	15,748.00
1506	7.5	16,222.00	17,602.00	17,842.00	15,012.00	16,402.00	16,632.00
1507		16,732.00	18,122.00	18,352.00	15,532.00	16,912.00	17,142.00
2006		16,492.00	17,872.00	18,102.00	15,282.00	16,662.00	16,902.00
3006		16,662.00	18,042.00	18,282.00	15,452.00	16,842.00	17,072.00
1507	10	18,472.00	19,932.00	20,192.00	16,702.00	18,162.00	18,432.00
2006		18,572.00	20,022.00	20,292.00	16,802.00	18,252.00	18,522.00
2007		18,742.00	20,202.00	20,462.00	16,972.00	18,432.00	18,692.00
3006		18,402.00	19,852.00	20,122.00	16,632.00	18,082.00	18,352.00
1507	15	25,129.00	26,609.00	26,919.00	22,779.00	24,259.00	24,569.00
1509		25,649.00	27,129.00	27,439.00	23,289.00	24,769.00	25,089.00
2007		25,389.00	26,869.00	27,189.00	23,039.00	24,519.00	24,829.00
2009		25,969.00	27,449.00	27,759.00	23,609.00	25,089.00	25,399.00
3006		25,399.00	26,879.00	27,199.00	23,049.00	24,529.00	24,839.00
3007		25,999.00	27,479.00	27,789.00	23,639.00	25,119.00	25,429.00
3009		26,339.00	27,819.00	28,129.00	23,979.00	25,459.00	25,779.00
1509	20	28,269.00	29,859.00	30,249.00	25,459.00	27,059.00	27,449.00
2007		28,509.00	30,099.00	30,489.00	25,699.00	27,289.00	27,689.00
2009		29,759.00	31,349.00	31,739.00	26,949.00	28,549.00	28,939.00
3007		28,569.00	30,169.00	30,559.00	25,769.00	27,359.00	27,759.00
3009		28,759.00	30,359.00	30,749.00	25,959.00	27,549.00	27,949.00
4007		29,169.00	30,769.00	31,159.00	26,369.00	27,959.00	28,359.00
1509	25	35,491.00	37,511.00	38,011.00	31,921.00	33,941.00	34,431.00
2007		35,731.00	37,751.00	38,251.00	32,151.00	34,181.00	34,671.00
2009		36,631.00	38,661.00	39,151.00	33,061.00	35,081.00	35,571.00
3007		35,451.00	37,471.00	37,971.00	31,871.00	33,901.00	34,391.00
3009		35,641.00	37,661.00	38,161.00	32,061.00	34,091.00	34,581.00
4007		36,061.00	38,081.00	38,571.00	32,481.00	34,501.00	35,001.00
5007		35,501.00	37,531.00	38,021.00	31,931.00	33,951.00	34,451.00
1509	30	38,911.00	41,311.00	41,891.00	35,341.00	37,741.00	38,321.00
2009		40,011.00	42,421.00	43,001.00	36,441.00	38,851.00	39,431.00
2508		39,841.00	42,251.00	42,831.00	36,271.00	38,681.00	39,261.00
3007		38,821.00	41,221.00	41,801.00	35,251.00	37,651.00	38,231.00
3009		39,051.00	41,451.00	42,031.00	35,481.00	37,881.00	38,461.00
4007		39,421.00	41,821.00	42,401.00	35,851.00	38,251.00	38,831.00
4009		39,801.00	42,201.00	42,791.00	36,231.00	38,631.00	39,221.00
5007		40,681.00	43,091.00	43,671.00	37,111.00	39,521.00	40,101.00

3600rpm 208v-230v/3							
		Pump and VFD including mounting brackets, wire harness, and vibration mounts. VFD Shipping Options: 1.) Attached to the pump, or 2.) Detached from the pump on a separate pallet.			Pump and VFD <u>ONLY</u> DOES NOT INCLUDE: Mounting brackets, wire harness, or vibration mounts. VFD shipped detached from the pump on a separate pallet. Customer to wall-mount VFD.		
SKS Model	HP	Base Drive	Mechanical Disconnect	Fused Disconnect	Base Drive Unmounted	Mechanical Disconnect Unmounted	Fused Disconnect Unmounted
1509	40	46,697.00	50,187.00	50,927.00	42,267.00	45,767.00	46,507.00
2009		47,807.00	51,297.00	52,037.00	43,377.00	46,877.00	47,617.00
2508		47,637.00	51,127.00	51,867.00	43,207.00	46,707.00	47,447.00
3007		46,607.00	50,097.00	50,847.00	42,187.00	45,677.00	46,417.00
3009		47,337.00	50,837.00	51,577.00	42,917.00	46,407.00	47,147.00
4007		47,277.00	50,767.00	51,507.00	42,847.00	46,337.00	47,087.00
4009		47,587.00	51,087.00	51,827.00	43,167.00	46,657.00	47,397.00
4075		47,797.00	51,287.00	52,027.00	43,367.00	46,867.00	47,607.00
5007		48,657.00	52,147.00	52,887.00	44,227.00	47,717.00	48,467.00
5075		48,037.00	51,537.00	52,277.00	43,617.00	47,107.00	47,847.00
2508		50	51,507.00	55,067.00	55,887.00	46,197.00	49,757.00
4007	51,157.00		54,717.00	55,537.00	45,847.00	49,407.00	50,227.00
4009	51,847.00		55,407.00	56,227.00	46,537.00	50,097.00	50,917.00
5007	52,687.00		56,247.00	57,067.00	47,377.00	50,937.00	51,757.00
5075	52,247.00		55,807.00	56,627.00	46,937.00	50,497.00	51,317.00
2508	60	65,476.00	69,086.00	70,056.00	59,846.00	63,456.00	64,416.00
3009		65,236.00	68,856.00	69,816.00	59,606.00	63,226.00	64,186.00
4009		65,816.00	69,426.00	70,396.00	60,186.00	63,796.00	64,756.00
5075		66,216.00	69,826.00	70,796.00	60,586.00	64,196.00	65,156.00

3600rpm 380v-460v/3							
		Pump and VFD including mounting brackets, wire harness, and vibration mounts. VFD Shipping Options: 1.) Attached to the pump, or 2.) Detached from the pump on a separate pallet.			Pump and VFD <u>ONLY</u> DOES NOT INCLUDE: Mounting brackets, wire harness, or vibration mounts. VFD shipped detached from the pump on a separate pallet. Customer to wall-mount VFD.		
SKS Model	HP	Base Drive	Mechanical Disconnect	Fused Disconnect	Base Drive Unmounted	Mechanical Disconnect Unmounted	Fused Disconnect Unmounted
1506	3.0	12,858.00	14,498.00	14,678.00	11,758.00	13,388.00	13,568.00
2006		13,028.00	14,658.00	14,838.00	11,918.00	13,558.00	13,738.00
1506	5.0	14,038.00	15,618.00	15,818.00	12,928.00	14,518.00	14,708.00
1507		14,548.00	16,138.00	16,338.00	13,448.00	15,038.00	15,228.00
2006		14,308.00	15,888.00	16,088.00	13,198.00	14,788.00	14,978.00
3006		14,478.00	16,068.00	16,258.00	13,368.00	14,958.00	15,148.00
1506	7.5	15,432.00	16,852.00	17,062.00	14,322.00	15,752.00	15,962.00
1507		15,942.00	17,372.00	17,582.00	14,842.00	16,272.00	16,472.00
2006		15,702.00	17,122.00	17,332.00	14,592.00	16,022.00	16,222.00
3006		15,872.00	17,302.00	17,502.00	14,762.00	16,192.00	16,402.00
1507	10	16,942.00	18,322.00	18,562.00	15,812.00	17,192.00	17,432.00
2006		17,032.00	18,422.00	18,652.00	15,902.00	17,292.00	17,522.00
2007		17,202.00	18,592.00	18,832.00	16,072.00	17,462.00	17,692.00
3006		16,862.00	18,252.00	18,482.00	15,732.00	17,122.00	17,352.00
1507	15	22,519.00	23,909.00	24,199.00	21,389.00	22,789.00	23,069.00
1509		23,029.00	24,429.00	24,709.00	21,899.00	23,299.00	23,579.00
2007		22,779.00	24,169.00	24,459.00	21,649.00	23,049.00	23,329.00
2009		23,349.00	24,749.00	25,029.00	22,219.00	23,619.00	23,899.00
3006		22,789.00	24,189.00	24,469.00	21,659.00	23,059.00	23,339.00
3007		23,379.00	24,779.00	25,059.00	22,249.00	23,649.00	23,929.00
3009		23,719.00	25,119.00	25,399.00	22,589.00	23,989.00	24,269.00
1509	20	25,719.00	27,339.00	27,669.00	24,029.00	25,649.00	25,979.00
2007		25,959.00	27,569.00	27,909.00	24,269.00	25,879.00	26,219.00
2009		27,209.00	28,819.00	29,159.00	25,519.00	27,129.00	27,469.00
3007		26,029.00	27,659.00	27,979.00	24,339.00	25,969.00	26,289.00
3009		26,219.00	27,829.00	28,169.00	24,529.00	26,139.00	26,479.00
4007		26,629.00	28,239.00	28,579.00	24,939.00	26,549.00	26,889.00
1509	25	32,521.00	34,211.00	34,631.00	30,171.00	31,871.00	32,281.00
2007		32,761.00	34,451.00	34,871.00	30,411.00	32,101.00	32,521.00
2009		33,661.00	35,361.00	35,781.00	31,311.00	33,011.00	33,431.00
3007		32,481.00	34,171.00	34,591.00	30,131.00	31,821.00	32,241.00
3009		32,671.00	34,361.00	34,781.00	30,321.00	32,011.00	32,431.00
4007		33,081.00	34,781.00	35,201.00	30,731.00	32,431.00	32,851.00
5007		32,531.00	34,231.00	34,651.00	30,181.00	31,881.00	32,301.00
1509	30	35,351.00	37,231.00	37,701.00	32,941.00	34,811.00	35,291.00
2009		36,461.00	38,341.00	38,811.00	34,051.00	35,921.00	36,401.00
2508		36,291.00	38,161.00	38,641.00	33,881.00	35,751.00	36,231.00
3007		35,261.00	37,141.00	37,621.00	32,851.00	34,721.00	35,201.00
3009		35,491.00	37,371.00	37,851.00	33,081.00	34,961.00	35,431.00
4007		35,861.00	37,741.00	38,221.00	33,451.00	35,331.00	35,801.00
4009		36,251.00	38,121.00	38,601.00	33,831.00	35,711.00	36,181.00
5007		37,131.00	39,011.00	39,481.00	34,721.00	36,591.00	37,071.00

3600rpm 380v-460v/3							
		Pump and VFD including mounting brackets, wire harness, and vibration mounts. VFD Shipping Options: 1.) Attached to the pump, or 2.) Detached from the pump on a separate pallet.			Pump and VFD <u>ONLY</u> DOES NOT INCLUDE: Mounting brackets, wire harness, or vibration mounts. VFD shipped detached from the pump on a separate pallet. Customer to wall-mount VFD.		
SKS Model	HP	Base Drive	Mechanical Disconnect	Fused Disconnect	Base Drive Unmounted	Mechanical Disconnect Unmounted	Fused Disconnect Unmounted
1509	40	41,917.00	43,677.00	44,237.00	39,037.00	40,797.00	41,357.00
2009		43,027.00	44,777.00	45,347.00	40,147.00	41,907.00	42,467.00
2508		42,857.00	44,607.00	45,177.00	39,977.00	41,737.00	42,297.00
3007		41,827.00	43,587.00	44,147.00	38,947.00	40,707.00	41,267.00
3009		42,567.00	44,317.00	44,887.00	39,687.00	41,437.00	42,007.00
4007		42,497.00	44,247.00	44,817.00	39,617.00	41,377.00	41,937.00
4009		42,817.00	44,567.00	45,127.00	39,937.00	41,687.00	42,257.00
4075		43,017.00	44,767.00	45,337.00	40,137.00	41,897.00	42,457.00
5007		43,877.00	45,627.00	46,197.00	40,997.00	42,747.00	43,317.00
5075		43,267.00	45,017.00	45,577.00	40,387.00	42,137.00	42,707.00
2508		50	47,607.00	50,287.00	51,007.00	44,147.00	46,827.00
4007	47,257.00		49,937.00	50,657.00	43,797.00	46,477.00	47,187.00
4009	47,947.00		50,627.00	51,347.00	44,487.00	47,167.00	47,877.00
5007	48,787.00		51,467.00	52,187.00	45,327.00	48,007.00	48,717.00
5075	48,347.00		51,027.00	51,747.00	44,887.00	47,567.00	48,277.00
2508	60	61,016.00	64,146.00	64,976.00	56,816.00	59,946.00	60,786.00
3009		60,776.00	63,906.00	64,746.00	56,576.00	59,716.00	60,546.00
4009		61,346.00	64,486.00	65,316.00	57,156.00	60,286.00	61,116.00
5075		61,756.00	64,886.00	65,716.00	57,556.00	60,686.00	61,526.00



3600rpm 575v-600v/3							
		Pump and VFD including mounting brackets, wire harness, and vibration mounts. VFD Shipping Options: 1.) Attached to the pump, or 2.) Detached from the pump on a separate pallet.			Pump and VFD <u>ONLY</u> DOES NOT INCLUDE: Mounting brackets, wire harness, or vibration mounts. VFD shipped detached from the pump on a separate pallet. Customer to wall-mount VFD.		
SKS Model	HP	Base Drive	Mechanical Disconnect	Fused Disconnect	Base Drive Unmounted	Mechanical Disconnect Unmounted	Fused Disconnect Unmounted
1506	3.0	13,358.00	15,228.00	15,438.00	12,248.00	14,128.00	14,328.00
2006		13,518.00	15,398.00	15,598.00	12,418.00	14,288.00	14,488.00
1506	5.0	14,608.00	16,438.00	16,658.00	13,508.00	15,328.00	15,558.00
1507		15,128.00	16,948.00	17,178.00	14,018.00	15,848.00	16,068.00
2006		14,878.00	16,708.00	16,928.00	13,778.00	15,598.00	15,828.00
3006		15,048.00	16,878.00	17,098.00	13,948.00	15,768.00	15,998.00
1506	7.5	16,072.00	17,712.00	17,952.00	14,972.00	16,612.00	16,852.00
1507		16,592.00	18,232.00	18,472.00	15,492.00	17,122.00	17,362.00
2006		16,342.00	17,982.00	18,222.00	15,242.00	16,882.00	17,122.00
3006		16,522.00	18,152.00	18,392.00	15,412.00	17,052.00	17,292.00
1507	10	17,672.00	19,262.00	19,522.00	16,562.00	18,152.00	18,422.00
2006		17,762.00	19,352.00	19,622.00	16,652.00	18,252.00	18,512.00
2007		17,932.00	19,532.00	19,792.00	16,832.00	18,422.00	18,692.00
3006		17,592.00	19,182.00	19,452.00	16,482.00	18,082.00	18,342.00
1507	15	23,459.00	25,069.00	25,389.00	22,339.00	23,949.00	24,269.00
1509		23,969.00	25,579.00	25,909.00	22,859.00	24,469.00	24,789.00
2007		23,719.00	25,329.00	25,649.00	22,599.00	24,209.00	24,539.00
2009		24,289.00	25,899.00	26,229.00	23,179.00	24,789.00	25,109.00
3006		23,729.00	25,339.00	25,659.00	22,609.00	24,219.00	24,549.00
3007		24,319.00	25,929.00	26,249.00	23,209.00	24,819.00	25,139.00
3009		24,659.00	26,269.00	26,599.00	23,549.00	25,159.00	25,479.00
1509		26,109.00	27,959.00	28,349.00	25,199.00	27,049.00	27,449.00
2007	20	26,349.00	28,199.00	28,589.00	25,439.00	27,289.00	27,679.00
2009		27,599.00	29,449.00	29,839.00	26,689.00	28,539.00	28,939.00
3007		26,409.00	28,289.00	28,679.00	25,509.00	27,379.00	27,769.00
3009		26,609.00	28,459.00	28,849.00	25,699.00	27,549.00	27,939.00
4007		27,009.00	28,859.00	29,259.00	26,109.00	27,959.00	28,349.00
1509		25	33,341.00	35,291.00	35,771.00	31,651.00	33,601.00
2007	33,571.00		35,521.00	36,011.00	31,881.00	33,831.00	34,311.00
2009	34,481.00		36,431.00	36,911.00	32,791.00	34,741.00	35,221.00
3007	33,291.00		35,241.00	35,721.00	31,601.00	33,551.00	34,031.00
3009	33,491.00		35,441.00	35,921.00	31,801.00	33,741.00	34,231.00
4007	33,901.00		35,851.00	36,331.00	32,211.00	34,161.00	34,641.00
5007	33,351.00		35,301.00	35,781.00	31,661.00	33,611.00	34,091.00
1509	30	36,391.00	38,551.00	39,091.00	34,631.00	36,791.00	37,341.00
2009		37,501.00	39,651.00	40,201.00	35,741.00	37,901.00	38,451.00
2508		37,331.00	39,481.00	40,031.00	35,571.00	37,731.00	38,281.00
3007		36,301.00	38,461.00	39,011.00	34,551.00	36,701.00	37,251.00
3009		36,531.00	38,691.00	39,241.00	34,781.00	36,931.00	37,481.00
4007		36,901.00	39,061.00	39,611.00	35,151.00	37,301.00	37,851.00
4009		37,281.00	39,441.00	39,991.00	35,531.00	37,691.00	38,231.00
5007		38,171.00	40,331.00	40,871.00	36,411.00	38,571.00	39,121.00



3600rpm 575v-600v/3							
		Pump and VFD including mounting brackets, wire harness, and vibration mounts. VFD Shipping Options: 1.) Attached to the pump, or 2.) Detached from the pump on a separate pallet.			Pump and VFD <u>ONLY</u> DOES NOT INCLUDE: Mounting brackets, wire harness, or vibration mounts. VFD shipped detached from the pump on a separate pallet. Customer to wall-mount VFD.		
SKS Model	HP	Base Drive	Mechanical Disconnect	Fused Disconnect	Base Drive Unmounted	Mechanical Disconnect Unmounted	Fused Disconnect Unmounted
1509	40	43,317.00	45,577.00	46,217.00	40,857.00	43,117.00	43,767.00
2009		44,417.00	46,687.00	47,327.00	41,967.00	44,227.00	44,877.00
2508		44,247.00	46,517.00	47,157.00	41,797.00	44,057.00	44,707.00
3007		43,227.00	45,487.00	46,137.00	40,767.00	43,027.00	43,677.00
3009		43,957.00	46,217.00	46,867.00	41,497.00	43,767.00	44,407.00
4007		43,887.00	46,157.00	46,797.00	41,437.00	43,697.00	44,347.00
4009		44,207.00	46,467.00	47,117.00	41,747.00	44,017.00	44,657.00
4075		44,417.00	46,677.00	47,317.00	41,957.00	44,217.00	44,867.00
5007		45,267.00	47,527.00	48,177.00	42,817.00	45,077.00	45,717.00
5075		44,657.00	46,917.00	47,567.00	42,197.00	44,457.00	45,107.00
2508		50	49,507.00	52,597.00	53,417.00	46,687.00	49,777.00
4007	49,157.00		52,247.00	53,067.00	46,337.00	49,427.00	50,247.00
4009	49,847.00		52,937.00	53,757.00	47,027.00	50,117.00	50,937.00
5007	50,687.00		53,777.00	54,597.00	47,867.00	50,957.00	51,777.00
5075	50,247.00		53,337.00	54,157.00	47,427.00	50,517.00	51,337.00
2508	60	62,636.00	66,236.00	67,196.00	59,786.00	63,386.00	64,346.00
3009		62,406.00	66,006.00	66,966.00	59,556.00	63,156.00	64,116.00
4009		62,976.00	66,576.00	67,536.00	60,126.00	63,726.00	64,686.00
5075		63,376.00	66,986.00	67,936.00	60,536.00	64,136.00	65,086.00



<b>LIST PRICE ADDER FOR SUPPORT STAND</b>			
<b>PUMP MODEL</b>	<b>PART NUMBER</b>	<b>LIST PRICE (\$)</b>	<b>SUPPORT STAND WEIGHT</b>
SKS1013	953-3969	1,286.00	100 LBS
SKS1016	953-3969	1,286.00	100 LBS
SKS1213	953-3996	3,760.00	311 LBS
SKS1217	953-3970	4,020.00	343 LBS
SKS1415	953-3995	3,760.00	311 LBS
SKS1506	953-3907	287.50	10 LBS
SKS1507	953-4062	287.50	10 LBS
SKS1509	953-4062	287.50	10 LBS
SKS2006	953-3986	386.00	19 LBS
SKS2007	953-4063	386.00	19 LBS
SKS2009	953-3986	386.00	19 LBS
SKS2011	953-3985	386.00	19 LBS
SKS2508	953-4064	386.00	19 LBS
SKS2510	953-3967	476.50	26 LBS
SKS3006	953-4066	476.50	26 LBS
SKS3007	953-4063	386.00	19 LBS
SKS3009	953-3983	476.50	26 LBS
SKS3011	953-4065	476.50	26 LBS
SKS3013	953-3973	774.00	47 LBS
SKS4007	953-3966	386.00	19 LBS
SKS4009	953-3974	774.00	47 LBS
SKS4011	953-3976	774.00	47 LBS
SKS4013	953-4067	774.00	47 LBS
SKS4075	953-3967	476.50	26 LBS
SKS5007	953-4068	964.00	66 LBS
SKS5075	953-4068	964.00	66 LBS
SKS5095	953-4068	964.00	66 LBS
SKS6009	953-3968	964.00	66 LBS
SKS6011	953-3988	964.00	66 LBS
SKS6013	953-4069	964.00	66 LBS
SKS8011	953-3991	1,286.00	100 LBS
SKS8013	953-4070	1,286.00	100 LBS
SKS8016	953-3989	1,286.00	100 LBS

<b>LIST PRICE ADDER FOR OUTSIDE MECHANICAL SEALS &amp; CERTIFIED TEST CURVES</b>			
<b>MOTOR FRAME SIZE (CODE)</b>	<b>CERAMIC SEAL</b>	<b>TUNGSTEN SEAL</b>	<b>CERTIFIED TEST CURVES</b>
143-215 (H, J)	1,452.00	2,269.00	2,218.00
254-326 (K, L, M)	1,987.00	2,710.00	2,600.00
364-449 (N, P)	2,590.00	3,550.00	2,860.00

<b>LIST PRICE ADDER FOR OPTIONAL INSIDE SEALS</b>		
<b>MOTOR FRAME SIZE</b>	<b>EPT TUNGSTEN CARBIDE SEAL</b>	<b>EPT/SILICON-CARBIDE/CARBON</b>
143-215	450.50	325.00
254-256	608.00	325.00
284-365	608.00	325.00

<b>OPTIONS</b>		
<b>FLANGE SIZE</b>	<b>250lb. WORKING PRESSURE</b>	<b>***CASING WEAR RINGS (Bronze)</b>
1.5" - 2.5"	827.00	563.00
3" - 5"	1,276.00	654.00
6" - 10"	1,501.00	889.00
12" - 14"	2,946.00	1,431.00

\*\*\*Cast Iron Wear Rings come standard on 8" and above.

<b>Insulated Bearing Adders</b>	
<b>NEMA FRAME</b>	<b>List Adder (\$) (per bearing)</b>
143T-145T	1,078.00
182T-184T	1,424.00
213T-215T	1,917.00
254T-256T	3,150.00
284T-286T	3,960.00
324T-326T	4,410.00
364T-365T	4,570.00
404T-405T	CF
444T-445T	CF
447T-449T	CF

**Do it Once. Do it Right.™**

TACO INC., 1160 Cranston Street, Cranston, RI 02920 Telephone: (401) 942-8000 Fax: (401) 942-2360  
 TACO (Canada), Ltd., 8450 Lawson Road, Milton, Ontario L9T 0J8 Telephone: (905) 564-9422 Fax: (905) 564-9436  
 Visit our website at: [www.taco-hvac.com](http://www.taco-hvac.com)

Printed in USA  
 Copyright 2006  
 TACO, Inc.



**Suggested List Prices**

303-192

# Viridian Pumps Replacement Parts

**Supersedes:**

**Effective:** December 15, 2013

<b>Kit Number</b>	<b>Description</b>	<b>List Price (\$)</b>
975-001RP	Volute O-ring (all sizes)	38.95
975-100RP	Volute Kit - VR15	685.00
975-101RP	Cartridge (Rotating Ass'y) Kit - VR15	1,140.00
975-102RP	Motor Kit - VR15	1,025.00
975-103RP	Electronics Kit - VR15	1,715.00
975-200RP	Volute Kit - VR20	885.00
975-201RP	Cartridge (Rotating Ass'y) Kit - VR20	1,475.00
975-202RP	Motor Kit - VR20	1,325.00
975-203RP	Electronics Kit - VR20	2,212.00
975-300RP	Volute Kit - VR25	1,100.00
975-301RP	Cartridge (Rotating Ass'y) Kit - VR25	1,835.00
975-302RP	Motor Kit - VR25	1,650.00
975-303RP	Electronics Kit - VR25	2,755.00
975-400RP	Volute Kit - VR30	1,210.00
975-401RP	Cartridge (Rotating Ass'y) Kit - VR30	2,015.00
975-402RP	Motor Kit - VR30	1,815.00
975-403RP	Electronics Kit - VR30	3,025.00

**Do it Once. Do it Right.™**

**TACO INC.**, 1160 Cranston Street, Cranston, RI 02920 Telephone: (401) 942-8000 Fax: (401) 942-2360

**TACO (Canada), Ltd.**, 8450 Lawson Road, Unit 3, Milton, Ontario L9T 0J8 Telephone: (905) 564-9422 Fax: (905) 564-9436

Visit our website at: [www.taco-hvac.com](http://www.taco-hvac.com)



# Suggested List Prices

## SKV Self-Sensing Pumps (NEMA 4x Enclosures)

NEW

Updated: May 8, 2014

Effective: February 24, 2014

SKV Series 1800rpm 208v-230v/1.....	2
SKV Series 1800rpm 200v/3.....	3 - 4
SKV Series 1800rpm 208v-230v/3.....	5 - 6
SKV Series 1800rpm 380v-460v/3.....	7 - 8
SKV Series 1800rpm 575v-600v/3.....	9 - 10
SKV Series 3600rpm 200v/3.....	11 - 12
SKV Series 3600rpm 208v-230v/3.....	13 - 14
SKV Series 3600rpm 380v-460v/3.....	15 - 16
SKV Series 3600rpm 575v-600v/3.....	17 - 18
Options and Accessories.....	19

### Designations

All prices are factory list prices in US\$  
n/a = Not Available  
n/c = Standard, no charge

### Policies

All orders are subject to a minimum billing of \$50 Net. For information and Discount Schedule, please contact your Taco Representative or the factory.

One instruction manual per drive is included.

Startup charges are not included in the drive price.

### Standard Specifications:

Cast Iron Casing, Bronze Impeller, Bronze Shaft Sleeve

Ceramic Mechanical Seal, Ball Bearing JM Frame Motor.

\*1.5 HP through 60 HP, PREMIUM EFFICIENCY, are 230/460/60/3 TEFC motors for 208-230/460v and 200/60/3 TEFC motors for 200v.

\*MAX HP on SKV pumps is 60 HP.



**Do it Once. Do it Right.™**

TACO INC., 1160 Cranston Street, Cranston, RI 02920 Telephone: (401) 942-8000 Fax: (401) 942-2360  
TACO (Canada), Ltd., 8450 Lawson Road, Milton, Ontario L9T 0J8 Telephone: (905) 564-9422 Fax: (905) 564-9436  
Visit our website at: [www.taco-hvac.com](http://www.taco-hvac.com)

Printed in USA  
Copyright 2007  
TACO, Inc.



1800rpm 208v-230v/1					
		Pump and VFD including mounting brackets, wire harness, and vibration mounts. VFD Shipping Options: 1.) Attached to the pump, or 2.) Detached from the pump on a separate pallet.		Pump and VFD <u>ONLY</u> DOES NOT INCLUDE: Mounting brackets, wire harness, or vibration mounts. VFD shipped detached from the pump on a separate pallet. Customer to wall-mount VFD.	
Model	HP	Base Drive	Mechanical Disconnect	Base Drive Not Mounted	Mechanical Disconnect Not Mounted
SKV 1506	1.5	15,749.00	17,399.00	14,749.00	16,399.00
SKV 1507		13,729.00	17,549.00	12,729.00	16,549.00
SKV 2006		13,829.00	17,649.00	12,829.00	16,659.00
SKV 2007		13,909.00	17,729.00	12,909.00	16,729.00
SKV 3006		13,969.00	17,789.00	12,969.00	16,789.00
SKV 1507	2.0	16,809.00	18,529.00	15,809.00	17,539.00
SKV 1509		17,339.00	19,059.00	16,339.00	18,059.00
SKV 2007		16,939.00	18,669.00	15,949.00	17,669.00
SKV 3007		17,249.00	18,969.00	16,249.00	17,969.00
SKV 1509	3.0	18,648.00	20,398.00	17,548.00	19,288.00
SKV 2007		18,258.00	20,008.00	17,148.00	18,898.00
SKV 2009		18,698.00	20,448.00	17,598.00	19,338.00
SKV 3007		18,328.00	20,078.00	17,228.00	18,968.00
SKV 3009		18,938.00	20,688.00	17,838.00	19,578.00
SKV 4007		19,118.00	20,868.00	18,008.00	19,758.00
SKV 1509	5.0	20,738.00	22,518.00	19,628.00	21,418.00
SKV 2009		20,788.00	22,578.00	19,688.00	21,468.00
SVK 2011		21,348.00	23,138.00	20,248.00	22,028.00
SKV 2508		20,948.00	22,738.00	19,848.00	21,628.00
SKV 3007		20,648.00	22,428.00	19,538.00	21,328.00
SKV 3009		21,018.00	22,798.00	19,908.00	21,698.00
SKV 4007		21,208.00	22,988.00	20,098.00	21,878.00
SKV 4009		21,728.00	23,518.00	20,628.00	22,408.00
SKV 4075		21,728.00	23,508.00	20,618.00	22,398.00
SKV 5007		21,778.00	23,568.00	20,678.00	22,458.00
SKV 5075		22,278.00	24,058.00	21,168.00	22,958.00
SKV 2011	7.5	23,732.00	25,542.00	22,622.00	24,432.00
SKV 2508		23,372.00	25,192.00	22,272.00	24,082.00
SKV 2510		24,512.00	26,322.00	23,402.00	25,212.00
SKV 3009					
SKV 3011		24,052.00	25,862.00	22,942.00	24,752.00
SKV 4007		23,842.00	25,652.00	22,732.00	24,552.00
SKV 4009		24,022.00	25,832.00	22,912.00	24,722.00
SKV 4011		24,952.00	26,762.00	23,852.00	25,662.00
SKV 4075		24,352.00	26,162.00	23,242.00	25,062.00
SKV 5007		24,022.00	25,832.00	22,912.00	24,722.00
SKV 5075		24,712.00	26,522.00	23,612.00	25,422.00
SKV 6009	24,772.00	26,592.00	23,672.00	25,482.00	

1800rpm 200v/3							
		Pump and VFD including mounting brackets, wire harness, and vibration mounts. VFD Shipping Options: 1.) Attached to the pump, or 2.) Detached from the pump on a separate pallet.			Pump and VFD ONLY DOES NOT INCLUDE: Mounting brackets, wire harness, or vibration mounts. VFD shipped detached from the pump on a separate pallet. Customer to wall-mount VFD.		
Model	HP	Base Drive	Mechanical Disconnect	Fused Disconnect	Base Drive Not Mounted	Mechanical Disconnect Not Mounted	Fused Disconnect Not Mounted
SKV 1506	1.5	11,688.00	15,138.00	15,468.00	10,688.00	14,138.00	14,468.00
SKV 1507		11,838.00	15,288.00	15,608.00	10,838.00	14,288.00	14,608.00
SKV 2006		11,938.00	15,388.00	15,718.00	10,938.00	14,388.00	14,718.00
SKV 2007		12,008.00	15,468.00	15,788.00	11,018.00	14,468.00	14,788.00
SKV 3006		12,078.00	15,528.00	15,848.00	11,078.00	14,528.00	14,848.00
SKV 1507	2.0	12,758.00	16,278.00	16,638.00	11,758.00	15,288.00	15,648.00
SKV 1509		13,278.00	16,808.00	17,168.00	12,288.00	15,808.00	16,168.00
SKV 2007		12,888.00	16,418.00	16,778.00	11,888.00	15,418.00	15,778.00
SKV 3007		13,188.00	16,718.00	17,078.00	12,198.00	15,718.00	16,078.00
SKV 1509	3.0	13,778.00	17,408.00	17,788.00	12,668.00	16,298.00	16,678.00
SKV 2007		13,388.00	17,008.00	17,398.00	12,278.00	15,908.00	16,288.00
SKV 2009		13,828.00	17,458.00	17,838.00	12,718.00	16,348.00	16,738.00
SKV 3007		13,458.00	17,088.00	17,468.00	12,348.00	15,978.00	16,368.00
SKV 3009		14,068.00	17,698.00	18,078.00	12,958.00	16,588.00	16,968.00
SKV 4007		14,248.00	17,868.00	18,258.00	13,138.00	16,758.00	17,148.00
SKV 1509	5.0	15,888.00	19,678.00	20,078.00	14,758.00	18,548.00	18,948.00
SKV 2009		15,948.00	19,728.00	20,128.00	14,818.00	18,598.00	18,998.00
SVK 2011		16,508.00	20,288.00	20,688.00	15,378.00	19,158.00	19,558.00
SKV 2508		16,108.00	19,898.00	20,288.00	14,978.00	18,768.00	19,158.00
SKV 3007		15,808.00	19,588.00	19,988.00	14,678.00	18,458.00	18,858.00
SKV 3009		16,178.00	19,958.00	20,358.00	15,048.00	18,828.00	19,228.00
SKV 4007		16,358.00	20,148.00	20,548.00	15,228.00	19,018.00	19,418.00
SKV 4009		16,888.00	20,678.00	21,068.00	15,758.00	19,538.00	19,938.00
SKV 4075		16,878.00	20,668.00	21,068.00	15,748.00	19,538.00	19,938.00
SKV 5007		16,938.00	20,728.00	21,118.00	15,808.00	19,598.00	19,988.00
SKV 5075		17,428.00	21,218.00	21,618.00	16,298.00	20,088.00	20,488.00
SKV 2011		7.5	17,602.00	20,982.00	21,322.00	16,392.00	19,772.00
SKV 2508	17,252.00		20,632.00	20,972.00	16,042.00	19,422.00	19,762.00
SKV 2510	18,382.00		21,762.00	22,102.00	17,182.00	20,552.00	20,892.00
SKV 3009	17,332.00		20,712.00	21,052.00	16,122.00	19,502.00	19,842.00
SKV 3011	17,922.00		21,302.00	21,642.00	16,722.00	20,092.00	20,432.00
SKV 4007	17,722.00		21,092.00	21,432.00	16,512.00	19,892.00	20,232.00
SKV 4009	17,892.00		21,272.00	21,612.00	16,692.00	20,062.00	20,402.00
SKV 4011	18,832.00		22,202.00	22,552.00	17,622.00	21,002.00	21,342.00
SKV 4075	18,232.00		21,602.00	21,942.00	17,022.00	20,402.00	20,742.00
SKV 5007	17,892.00		21,272.00	21,612.00	16,692.00	20,062.00	20,402.00
SKV 5075	18,592.00		21,962.00	22,302.00	17,382.00	20,762.00	21,102.00
SKV 6009	18,652.00		22,032.00	22,372.00	17,442.00	20,822.00	21,162.00

1800rpm 200v/3								
		Pump and VFD including mounting brackets, wire harness, and vibration mounts. VFD Shipping Options: 1.) Attached to the pump, or 2.) Detached from the pump on a separate pallet.			Pump and VFD <u>ONLY</u> DOES NOT INCLUDE: Mounting brackets, wire harness, or vibration mounts. VFD shipped detached from the pump on a separate pallet. Customer to wall-mount VFD.			
Model	HP	Base Drive	Mechanical Disconnect	Fused Disconnect	Base Drive Not Mounted	Mechanical Disconnect Not Mounted	Fused Disconnect Not Mounted	
SKV 2011	10	20,182.00	23,812.00	24,172.00	18,412.00	22,042.00	22,402.00	
SKV 2510		20,732.00	24,362.00	24,722.00	18,962.00	22,592.00	22,952.00	
SKV 3011		20,502.00	24,132.00	24,492.00	18,742.00	22,372.00	22,722.00	
SKV 3013		21,362.00	24,992.00	25,352.00	19,602.00	23,232.00	23,582.00	
SKV 4009		20,452.00	24,082.00	24,442.00	18,682.00	22,312.00	22,672.00	
SKV 4011		21,402.00	25,032.00	25,392.00	19,632.00	23,262.00	23,622.00	
SKV 4013		22,212.00	25,842.00	26,202.00	20,442.00	24,072.00	24,432.00	
SKV 5075		21,082.00	24,712.00	25,062.00	19,312.00	22,942.00	23,292.00	
SKV 6009		21,262.00	24,892.00	25,252.00	19,492.00	23,122.00	23,482.00	
SKV 2510		15	24,549.00	28,659.00	29,029.00	22,199.00	26,299.00	26,669.00
SKV 3011	24,449.00		28,549.00	28,919.00	22,089.00	26,189.00	26,559.00	
SKV 3013	25,149.00		29,259.00	29,629.00	22,799.00	26,899.00	27,269.00	
SKV 4011	25,559.00		29,659.00	30,029.00	23,209.00	27,309.00	27,679.00	
SKV 4013	26,299.00		30,399.00	30,769.00	23,949.00	28,049.00	28,419.00	
SKV 5095	25,689.00		29,789.00	30,159.00	23,329.00	27,429.00	27,799.00	
SKV 6009	25,709.00		29,809.00	30,179.00	23,349.00	27,449.00	27,819.00	
SKV 6011	26,679.00		30,779.00	31,149.00	24,319.00	28,419.00	28,789.00	
SKV 3013	20		27,709.00	32,129.00	32,509.00	24,909.00	29,329.00	29,709.00
SKV 4011			27,979.00	32,399.00	32,779.00	25,179.00	29,589.00	29,979.00
SKV 4013		29,079.00	33,499.00	33,879.00	26,279.00	30,699.00	31,079.00	
SKV 5095		28,469.00	32,889.00	33,269.00	25,659.00	30,079.00	30,459.00	
SKV 6011		29,449.00	33,869.00	34,249.00	26,649.00	31,069.00	31,449.00	
SKV 6013		31,979.00	36,389.00	36,769.00	29,169.00	33,589.00	33,969.00	
SKV 8011		32,039.00	36,459.00	36,839.00	29,239.00	33,649.00	34,029.00	
SKV 4013		25	33,701.00	38,961.00	39,401.00	30,131.00	35,381.00	35,821.00
SKV 5095			33,711.00	38,971.00	39,411.00	30,141.00	35,391.00	35,831.00
SKV 6011			34,061.00	39,321.00	39,751.00	30,481.00	35,741.00	36,181.00
SKV 6013	34,861.00		40,121.00	40,561.00	31,291.00	36,541.00	36,981.00	
SKV 8011	36,721.00		41,971.00	42,411.00	33,141.00	38,401.00	38,841.00	
SKV 4013	30		36,601.00	42,081.00	42,601.00	33,031.00	38,511.00	39,031.00
SKV 6011		36,921.00	42,401.00	42,921.00	33,351.00	38,831.00	39,351.00	
SKV 6013		37,761.00	43,241.00	43,761.00	34,191.00	39,671.00	40,191.00	
SKV 8011		39,611.00	45,091.00	45,621.00	36,041.00	41,521.00	42,051.00	
SKV 6013	40	44,997.00	55,157.00	55,867.00	40,567.00	50,727.00	51,447.00	
SKV 8011		46,867.00	57,027.00	57,747.00	42,447.00	52,607.00	53,317.00	
SKV 8013		47,307.00	57,467.00	58,187.00	42,887.00	53,047.00	53,757.00	
SKV 6013	50	57,327.00	72,887.00	73,567.00	52,017.00	67,577.00	68,257.00	
SKV 8011		59,207.00	74,757.00	75,447.00	53,897.00	69,447.00	70,137.00	
SKV 8013		59,647.00	75,207.00	75,887.00	54,337.00	69,897.00	70,577.00	
SKV 6013	60	62,646.00	83,626.00	84,336.00	57,016.00	77,986.00	78,706.00	
SKV 8013		65,026.00	85,996.00	86,716.00	59,386.00	80,366.00	81,076.00	

1800rpm 208V-230v/3							
		Pump and VFD including mounting brackets, wire harness, and vibration mounts. VFD Shipping Options: 1.) Attached to the pump, or 2.) Detached from the pump on a separate pallet.			Pump and VFD <b>ONLY</b> DOES NOT INCLUDE: Mounting brackets, wire harness, or vibration mounts. VFD shipped detached from the pump on a separate pallet. Customer to wall-mount VFD.		
Model	HP	Base Drive	Mechanical Disconnect	Fused Disconnect	Base Drive Not Mounted	Mechanical Disconnect Not Mounted	Fused Disconnect Not Mounted
SKV 1506	1.5	11,808.00	15,258.00	15,578.00	10,808.00	14,258.00	14,578.00
SKV 1507		11,958.00	15,408.00	15,728.00	10,958.00	14,408.00	14,728.00
SKV 2006		12,058.00	15,508.00	15,828.00	11,058.00	14,508.00	14,828.00
SKV 2007		12,128.00	15,578.00	15,908.00	11,128.00	14,578.00	14,908.00
SKV 3006		12,188.00	15,638.00	15,968.00	11,188.00	14,648.00	14,968.00
SKV 1507	2.0	12,538.00	16,058.00	16,428.00	11,538.00	15,068.00	15,428.00
SKV 1509		13,068.00	16,588.00	16,948.00	12,068.00	15,588.00	15,958.00
SKV 2007		12,668.00	16,198.00	16,558.00	11,668.00	15,198.00	15,558.00
SKV 3007		12,978.00	16,498.00	16,858.00	11,978.00	15,498.00	15,868.00
SKV 1509	3.0	14,348.00	17,968.00	18,358.00	13,238.00	16,868.00	17,248.00
SKV 2007		13,958.00	17,578.00	17,968.00	12,848.00	16,468.00	16,858.00
SKV 2009		14,398.00	18,028.00	18,408.00	13,288.00	16,918.00	17,298.00
SKV 3007		14,028.00	17,658.00	18,038.00	12,918.00	16,548.00	16,928.00
SKV 3009		14,638.00	18,258.00	18,648.00	13,528.00	17,158.00	17,538.00
SKV 4007		14,818.00	18,438.00	18,828.00	13,708.00	17,328.00	17,718.00
SKV 1509	5.0	15,058.00	18,848.00	19,248.00	13,928.00	17,718.00	18,118.00
SKV 2009		15,118.00	18,898.00	19,298.00	13,988.00	17,768.00	18,168.00
SVK 2011		15,678.00	19,458.00	19,858.00	14,548.00	18,328.00	18,728.00
SKV 2508		15,278.00	19,068.00	19,458.00	14,148.00	17,938.00	18,328.00
SKV 3007		14,978.00	18,758.00	19,158.00	13,838.00	17,628.00	18,028.00
SKV 3009		15,348.00	19,128.00	19,528.00	14,218.00	17,998.00	18,398.00
SKV 4007		15,528.00	19,318.00	19,718.00	14,398.00	18,188.00	18,588.00
SKV 4009		16,058.00	19,838.00	20,238.00	14,928.00	18,708.00	19,108.00
SKV 4075		16,048.00	19,838.00	20,238.00	14,918.00	18,708.00	19,108.00
SKV 5007		16,108.00	19,898.00	20,288.00	14,978.00	18,768.00	19,158.00
SKV 5075	16,598.00	20,388.00	20,788.00	15,468.00	19,258.00	19,658.00	
SKV 2011	7.5	17,292.00	20,672.00	21,012.00	16,082.00	19,462.00	19,802.00
SKV 2508		16,942.00	20,312.00	20,652.00	15,732.00	19,112.00	19,452.00
SKV 2510		18,072.00	21,452.00	21,792.00	16,862.00	20,242.00	20,582.00
SKV 3009		17,022.00	20,402.00	20,742.00	15,812.00	19,192.00	19,532.00
SKV 3011		17,612.00	20,992.00	21,332.00	16,402.00	19,782.00	20,122.00
SKV 4007		17,402.00	20,782.00	21,122.00	16,202.00	19,572.00	19,912.00
SKV 4009		17,582.00	20,962.00	21,302.00	16,372.00	19,752.00	20,092.00
SKV 4011		18,522.00	21,892.00	22,232.00	17,312.00	20,692.00	21,032.00
SKV 4075		17,912.00	21,292.00	21,632.00	16,712.00	20,082.00	20,422.00
SKV 5007		17,582.00	20,962.00	21,302.00	16,372.00	19,752.00	20,092.00
SKV 5075		18,282.00	21,652.00	21,992.00	17,072.00	20,442.00	20,792.00
SKV 6009		18,342.00	21,712.00	22,052.00	17,132.00	20,512.00	20,852.00



1800rpm 208v-230v/3							
		Pump and VFD including mounting brackets, wire harness, and vibration mounts. VFD Shipping Options: 1.) Attached to the pump, or 2.) Detached from the pump on a separate pallet.			Pump and VFD <u>ONLY</u> DOES NOT INCLUDE: Mounting brackets, wire harness, or vibration mounts. VFD shipped detached from the pump on a separate pallet. Customer to wall-mount VFD.		
Model	HP	Base Drive	Mechanical Disconnect	Fused Disconnect	Base Drive Not Mounted	Mechanical Disconnect Not Mounted	Fused Disconnect Not Mounted
SKV 2011	10	20,072.00	23,702.00	24,062.00	18,302.00	21,932.00	22,292.00
SKV 2510		20,622.00	24,252.00	24,612.00	18,852.00	22,482.00	22,842.00
SKV 3011		20,392.00	24,022.00	24,382.00	18,632.00	22,262.00	22,612.00
SKV 3013		21,252.00	24,882.00	25,242.00	19,492.00	23,122.00	23,472.00
SKV 4009		20,342.00	23,972.00	24,332.00	18,572.00	22,202.00	22,562.00
SKV 4011		21,292.00	24,922.00	25,282.00	19,522.00	23,152.00	23,512.00
SKV 4013		22,102.00	25,732.00	26,092.00	20,332.00	23,962.00	24,322.00
SKV 5075		20,972.00	24,602.00	24,952.00	19,202.00	22,832.00	23,182.00
SKV 6009		21,152.00	24,782.00	25,142.00	19,382.00	23,012.00	23,372.00
SKV 2510	15	24,079.00	28,179.00	28,549.00	21,719.00	25,829.00	26,199.00
SKV 3011		23,969.00	28,079.00	28,439.00	21,619.00	25,719.00	26,089.00
SKV 3013		24,679.00	28,779.00	29,149.00	22,329.00	26,429.00	26,799.00
SKV 4011		25,089.00	29,189.00	29,559.00	22,729.00	26,839.00	27,199.00
SKV 4013		25,829.00	29,929.00	30,299.00	23,469.00	27,579.00	27,939.00
SKV 5095		25,209.00	29,309.00	29,679.00	22,859.00	26,959.00	27,329.00
SKV 6009		25,229.00	29,339.00	29,709.00	22,879.00	26,979.00	27,349.00
SKV 6011		26,199.00	30,309.00	30,669.00	23,849.00	27,949.00	28,319.00
SKV 3013	20	29,599.00	34,019.00	34,399.00	26,799.00	31,209.00	31,599.00
SKV 4011		29,869.00	34,289.00	34,669.00	27,069.00	31,479.00	31,859.00
SKV 4013		30,969.00	35,389.00	35,769.00	28,169.00	32,589.00	32,969.00
SKV 5095		30,359.00	34,769.00	35,159.00	27,549.00	31,969.00	32,349.00
SKV 6011		31,339.00	35,759.00	36,139.00	28,539.00	32,949.00	33,339.00
SKV 6013		33,859.00	38,279.00	38,659.00	31,059.00	35,479.00	35,859.00
SKV 8011		33,929.00	38,349.00	38,729.00	31,119.00	35,539.00	35,919.00
SKV 4013	25	35,001.00	40,251.00	40,691.00	31,421.00	36,681.00	37,121.00
SKV 5095		35,001.00	40,261.00	40,701.00	31,431.00	36,681.00	37,121.00
SKV 6011		35,351.00	40,611.00	41,051.00	31,781.00	37,031.00	37,471.00
SKV 6013		36,161.00	41,411.00	41,851.00	32,581.00	37,841.00	38,281.00
SKV 8011		38,011.00	43,271.00	43,711.00	34,431.00	39,691.00	40,131.00
SKV 4013	30	45,491.00	50,971.00	51,501.00	41,921.00	47,401.00	47,931.00
SKV 6011		45,811.00	51,291.00	51,821.00	42,241.00	47,721.00	48,251.00
SKV 6013		46,651.00	52,131.00	52,661.00	43,081.00	48,561.00	49,091.00
SKV 8011		48,501.00	53,991.00	54,511.00	44,931.00	50,421.00	50,941.00
SKV 6013	40	47,627.00	57,787.00	58,497.00	43,197.00	53,357.00	54,067.00
SKV 8011		49,497.00	59,657.00	60,367.00	45,077.00	55,237.00	55,947.00
SKV 8013		49,937.00	60,097.00	60,807.00	45,517.00	55,677.00	56,387.00
SKV 6013	50	55,817.00	71,367.00	72,057.00	50,507.00	66,057.00	66,747.00
SKV 8011		57,687.00	73,247.00	73,927.00	52,377.00	67,937.00	68,617.00
SKV 8013		58,127.00	73,687.00	74,367.00	52,817.00	68,377.00	69,057.00
SKV 6013	60	62,646.00	83,626.00	84,336.00	57,016.00	77,986.00	78,706.00
SKV 8013		65,026.00	85,996.00	86,716.00	59,386.00	80,366.00	81,076.00

1800rpm 380v-460v/3							
		Pump and VFD including mounting brackets, wire harness, and vibration mounts. VFD Shipping Options: 1.) Attached to the pump, or 2.) Detached from the pump on a separate pallet.			Pump and VFD <b>ONLY</b> DOES NOT INCLUDE: Mounting brackets, wire harness, or vibration mounts. VFD shipped detached from the pump on a separate pallet. Customer to wall-mount VFD.		
Model	HP	Base Drive	Mechanical Disconnect	Fused Disconnect	Base Drive Not Mounted	Mechanical Disconnect Not Mounted	Fused Disconnect Not Mounted
SKV 1506	1.5	11,958.00	13,538.00	13,848.00	10,958.00	13,968.00	14,278.00
SKV 1507		12,098.00	15,108.00	15,418.00	11,108.00	14,118.00	14,418.00
SKV 2006		12,208.00	15,218.00	15,518.00	11,208.00	14,218.00	14,528.00
SKV 2007		12,278.00	15,288.00	15,598.00	11,278.00	14,288.00	14,598.00
SKV 3006		12,338.00	15,348.00	15,658.00	11,338.00	14,348.00	14,658.00
SKV 1507	2.0	12,488.00	15,558.00	15,888.00	11,498.00	14,568.00	14,888.00
SKV 1509		13,018.00	16,088.00	16,408.00	12,018.00	15,088.00	15,418.00
SKV 2007		12,628.00	15,698.00	16,018.00	11,628.00	14,698.00	15,018.00
SKV 3007		12,928.00	15,998.00	16,318.00	11,928.00	14,998.00	15,328.00
SKV 1509	3.0	14,378.00	17,538.00	17,888.00	13,268.00	16,428.00	16,778.00
SKV 2007		13,988.00	17,138.00	17,498.00	12,878.00	16,038.00	16,388.00
SKV 2009		14,428.00	17,588.00	17,938.00	13,328.00	16,478.00	16,838.00
SKV 3007		14,058.00	17,218.00	17,568.00	12,958.00	16,108.00	16,458.00
SKV 3009		14,668.00	17,828.00	18,178.00	13,558.00	16,718.00	17,068.00
SKV 4007	5.0	14,848.00	17,998.00	18,358.00	13,738.00	16,898.00	17,248.00
SKV 1509		14,908.00	18,098.00	18,458.00	13,798.00	16,988.00	17,348.00
SKV 2009		14,958.00	18,148.00	18,508.00	13,848.00	17,038.00	17,398.00
SKV 2011		15,518.00	18,708.00	19,068.00	14,408.00	17,598.00	17,958.00
SKV 2508		15,118.00	18,308.00	18,668.00	14,018.00	17,208.00	17,568.00
SKV 3007		14,818.00	18,008.00	18,368.00	13,708.00	16,898.00	17,258.00
SKV 3009		15,188.00	18,378.00	18,738.00	14,078.00	17,268.00	17,628.00
SKV 4007		15,368.00	18,558.00	18,918.00	14,268.00	17,458.00	17,818.00
SKV 4009		15,898.00	19,088.00	19,448.00	14,788.00	17,978.00	18,348.00
SKV 4075		15,888.00	19,078.00	19,448.00	14,788.00	17,978.00	18,338.00
SKV 5007		15,948.00	19,138.00	19,498.00	14,848.00	18,028.00	18,398.00
SKV 5075		16,448.00	19,638.00	19,998.00	15,338.00	18,528.00	18,888.00
SKV 2011	7.5	16,402.00	19,532.00	19,882.00	15,292.00	18,422.00	18,772.00
SKV 2508		16,052.00	19,182.00	19,522.00	14,942.00	18,072.00	18,422.00
SKV 2510		17,182.00	20,312.00	20,662.00	16,082.00	19,202.00	19,552.00
SKV 3009		16,132.00	19,262.00	19,612.00	15,022.00	18,152.00	18,502.00
SKV 3011		16,722.00	19,852.00	20,202.00	15,622.00	18,742.00	19,092.00
SKV 4007		16,522.00	19,642.00	19,992.00	15,412.00	18,542.00	18,892.00
SKV 4009		16,692.00	19,822.00	20,172.00	15,592.00	18,712.00	19,062.00
SKV 4011		17,632.00	20,752.00	21,102.00	16,522.00	19,652.00	20,002.00
SKV 4075		17,022.00	20,152.00	20,502.00	15,922.00	19,052.00	19,392.00
SKV 5007		16,692.00	19,822.00	20,172.00	15,592.00	18,712.00	19,062.00
SKV 5075		17,392.00	20,512.00	20,862.00	16,282.00	19,412.00	19,762.00
SKV 6009		17,452.00	20,582.00	20,922.00	16,342.00	19,472.00	19,822.00

1800rpm 380v-460v/3								
		Pump and VFD including mounting brackets, wire harness, and vibration mounts. VFD Shipping Options: 1.) Attached to the pump, or 2.) Detached from the pump on a separate pallet.			Pump and VFD <u>ONLY</u> DOES NOT INCLUDE: Mounting brackets, wire harness, or vibration mounts. VFD shipped detached from the pump on a separate pallet. Customer to wall-mount VFD.			
Model	HP	Base Drive	Mechanical Disconnect	Fused Disconnect	Base Drive Not Mounted	Mechanical Disconnect Not Mounted	Fused Disconnect Not Mounted	
SKV 2011	10	18,372.00	21,452.00	21,792.00	17,242.00	20,322.00	20,662.00	
SKV 2510		18,922.00	22,002.00	22,342.00	17,792.00	20,872.00	21,212.00	
SKV 3011		18,692.00	21,782.00	22,122.00	17,562.00	20,652.00	20,992.00	
SKV 3013		19,552.00	22,642.00	22,982.00	18,422.00	21,512.00	21,852.00	
SKV 4009		18,642.00	21,722.00	22,062.00	17,512.00	20,592.00	20,932.00	
SKV 4011		19,592.00	22,672.00	23,022.00	18,462.00	21,542.00	21,882.00	
SKV 4013		20,402.00	23,482.00	23,822.00	19,262.00	22,352.00	22,692.00	
SKV 5075		19,262.00	22,352.00	22,692.00	18,132.00	21,222.00	21,562.00	
SKV 6009		19,452.00	22,532.00	22,872.00	18,322.00	21,402.00	21,742.00	
SKV 2510	15	22,089.00	24,509.00	24,859.00	20,959.00	23,379.00	23,739.00	
SKV 3011		21,979.00	24,399.00	24,759.00	20,849.00	23,269.00	23,629.00	
SKV 3013		22,689.00	25,109.00	25,459.00	21,559.00	23,979.00	24,339.00	
SKV 4011		23,099.00	25,519.00	25,869.00	21,969.00	24,389.00	24,739.00	
SKV 4013		23,839.00	26,259.00	26,609.00	22,709.00	25,129.00	25,479.00	
SKV 5095		23,219.00	25,639.00	25,999.00	22,089.00	24,509.00	24,869.00	
SKV 6009		23,239.00	25,659.00	26,019.00	22,109.00	24,529.00	24,889.00	
SKV 6011		24,209.00	26,629.00	26,989.00	23,079.00	25,499.00	25,859.00	
SKV 3013		20	26,949.00	29,539.00	29,939.00	25,259.00	27,849.00	28,249.00
SKV 4011	27,219.00		29,809.00	30,209.00	25,529.00	28,119.00	28,519.00	
SKV 4013	28,329.00		30,919.00	31,309.00	26,639.00	29,229.00	29,619.00	
SKV 5095	27,709.00		30,299.00	30,699.00	26,019.00	28,609.00	28,999.00	
SKV 6011	28,689.00		31,279.00	31,679.00	26,999.00	29,589.00	29,989.00	
SKV 6013	31,219.00		33,809.00	34,199.00	29,529.00	32,119.00	32,509.00	
SKV 8011	31,279.00		33,869.00	34,269.00	29,589.00	32,179.00	32,579.00	
SKV 4013	25		32,011.00	33,971.00	34,381.00	29,661.00	31,621.00	32,031.00
SKV 5095			32,011.00	33,981.00	34,391.00	29,671.00	31,631.00	32,041.00
SKV 6011		32,361.00	34,321.00	34,741.00	30,011.00	31,981.00	32,391.00	
SKV 6013		33,171.00	35,131.00	35,541.00	30,821.00	32,781.00	33,191.00	
SKV 8011		35,021.00	36,981.00	37,391.00	32,671.00	34,631.00	35,041.00	
SKV 4013		30	42,001.00	43,691.00	44,111.00	39,591.00	41,281.00	41,691.00
SKV 6011	42,321.00		44,011.00	44,421.00	39,911.00	41,601.00	42,011.00	
SKV 6013	43,161.00		44,851.00	45,271.00	40,751.00	42,441.00	42,851.00	
SKV 8011	45,021.00		46,701.00	47,121.00	42,601.00	44,291.00	44,711.00	
SKV 6013	40	42,117.00	43,797.00	44,217.00	39,237.00	40,917.00	41,337.00	
SKV 8011		43,987.00	45,667.00	46,087.00	41,117.00	42,797.00	43,207.00	
SKV 8013		44,427.00	46,107.00	46,527.00	41,557.00	43,237.00	43,647.00	
SKV 6013	50	51,357.00	51,367.00	53,137.00	47,887.00	47,897.00	49,677.00	
SKV 8011		53,227.00	53,237.00	55,017.00	49,767.00	49,777.00	51,557.00	
SKV 8013		53,667.00	53,677.00	55,457.00	50,207.00	50,217.00	51,997.00	
SKV 6013	60	56,976.00	58,326.00	58,946.00	52,786.00	54,136.00	54,756.00	
SKV 8013		59,356.00	60,706.00	61,326.00	55,156.00	56,506.00	57,126.00	

1800rpm 575v-600v/3							
		Pump and VFD including mounting brackets, wire harness, and vibration mounts. VFD Shipping Options: 1.) Attached to the pump, or 2.) Detached from the pump on a separate pallet.			Pump and VFD <u>ONLY</u> DOES NOT INCLUDE: Mounting brackets, wire harness, or vibration mounts. VFD shipped detached from the pump on a separate pallet. Customer to wall-mount VFD.		
Model	HP	Base Drive	Mechanical Disconnect	Fused Disconnect	Base Drive Not mounted	Mechanical Disconnect Not mounted	Fused Disconnect Not mounted
SKV 1506	1.5	12,758.00	16,148.00	16,548.00	11,758.00	15,158.00	15,548.00
SKV 1507		12,908.00	16,298.00	16,688.00	11,908.00	15,298.00	15,698.00
SKV 2006		13,008.00	16,398.00	16,798.00	12,008.00	15,408.00	15,798.00
SKV 2007		13,078.00	16,478.00	16,868.00	12,088.00	15,478.00	15,868.00
SKV 3006		13,138.00	16,538.00	16,928.00	12,148.00	15,538.00	15,928.00
SKV 1507	2.0	13,238.00	16,588.00	16,798.00	12,238.00	15,588.00	15,798.00
SKV 1509		13,768.00	17,118.00	17,328.00	12,768.00	16,118.00	16,328.00
SKV 2007		13,368.00	16,718.00	16,928.00	12,378.00	15,728.00	15,938.00
SKV 3007		13,678.00	17,028.00	17,238.00	12,678.00	16,028.00	16,238.00
SKV 1509	3.0	14,708.00	18,158.00	18,568.00	13,598.00	17,058.00	17,458.00
SKV 2007		14,308.00	17,768.00	18,168.00	13,208.00	16,668.00	17,068.00
SKV 2009		14,758.00	18,218.00	18,618.00	13,648.00	17,108.00	17,508.00
SKV 3007		14,388.00	17,848.00	18,248.00	13,278.00	16,738.00	17,138.00
SKV 3009		14,988.00	18,448.00	18,858.00	13,888.00	17,348.00	17,748.00
SKV 4007	5.0	15,168.00	18,628.00	19,028.00	14,068.00	17,528.00	17,928.00
SKV 1509		15,338.00	18,838.00	19,258.00	14,228.00	17,728.00	18,148.00
SKV 2009		15,388.00	18,888.00	19,308.00	14,288.00	17,778.00	18,208.00
SKV 2011		15,948.00	19,448.00	19,868.00	14,848.00	18,338.00	18,768.00
SKV 2508		15,548.00	19,048.00	19,468.00	14,448.00	17,948.00	18,368.00
SKV 3007		15,248.00	18,748.00	19,168.00	14,138.00	17,638.00	18,058.00
SKV 3009		15,618.00	19,118.00	19,538.00	14,518.00	18,008.00	18,438.00
SKV 4007		15,808.00	19,298.00	19,728.00	14,698.00	18,198.00	18,618.00
SKV 4009		16,328.00	19,828.00	20,248.00	15,228.00	18,718.00	19,148.00
SKV 4075		16,328.00	19,818.00	20,248.00	15,218.00	18,718.00	19,138.00
SKV 5007		16,378.00	19,878.00	20,298.00	15,278.00	18,768.00	19,198.00
SKV 5075		16,878.00	20,378.00	20,798.00	15,768.00	19,268.00	19,688.00
SKV 2011		7.5	17,472.00	20,902.00	21,302.00	16,362.00	19,792.00
SKV 2508	17,112.00		20,552.00	20,952.00	16,012.00	19,442.00	19,842.00
SKV 2510	18,252.00		21,682.00	22,082.00	17,142.00	20,572.00	20,982.00
SKV 3009	17,202.00		20,632.00	21,032.00	16,092.00	19,522.00	19,922.00
SKV 3011	17,792.00		21,222.00	21,622.00	16,682.00	20,112.00	20,522.00
SKV 4007	17,582.00		21,012.00	21,412.00	16,482.00	19,912.00	20,312.00
SKV 4009	17,762.00		21,192.00	21,592.00	16,652.00	20,082.00	20,492.00
SKV 4011	18,692.00		22,122.00	22,532.00	17,592.00	21,022.00	21,422.00
SKV 4075	18,092.00		21,522.00	21,922.00	16,982.00	20,422.00	20,822.00
SKV 5007	17,762.00		21,192.00	21,592.00	16,652.00	20,082.00	20,492.00
SKV5075	18,452.00		21,882.00	22,292.00	17,352.00	20,782.00	21,182.00
SKV 6009	18,512.00	21,942.00	22,352.00	17,412.00	20,842.00	21,242.00	

1800rpm 575v-600v/3								
		Pump and VFD including mounting brackets, wire harness, and vibration mounts. VFD Shipping Options: 1.) Attached to the pump, or 2.) Detached from the pump on a separate pallet.			Pump and VFD ONLY DOES NOT INCLUDE: Mounting brackets, wire harness, or vibration mounts. VFD shipped detached from the pump on a separate pallet. Customer to wall-mount VFD.			
Model	HP	Base Drive	Mechanical Disconnect	Fused Disconnect	Base Drive Not Mounted	Mechanical Disconnect Not Mounted	Fused Disconnect Not Mounted	
SKV 2011	10	19,312.00	22,692.00	23,082.00	18,202.00	21,582.00	21,972.00	
SKV 2510		19,862.00	23,242.00	23,632.00	18,752.00	22,132.00	22,522.00	
SKV 3011		19,632.00	23,012.00	23,402.00	18,532.00	21,912.00	22,302.00	
SKV 3013		20,492.00	23,872.00	24,262.00	19,392.00	22,772.00	23,162.00	
SKV 4009		19,582.00	22,962.00	23,352.00	18,472.00	21,852.00	22,242.00	
SKV 4011		20,532.00	23,912.00	24,302.00	19,422.00	22,802.00	23,192.00	
SKV 4013		21,342.00	24,722.00	25,112.00	20,232.00	23,612.00	24,002.00	
SKV 5075		20,202.00	23,582.00	23,972.00	19,102.00	22,482.00	22,872.00	
SKV 6009		20,392.00	23,772.00	24,162.00	19,282.00	22,662.00	23,052.00	
SKV 2510		15	24,799.00	27,529.00	27,919.00	23,679.00	26,409.00	26,809.00
SKV 3011	24,689.00		27,419.00	27,809.00	23,579.00	26,309.00	26,699.00	
SKV 3013	25,399.00		28,129.00	28,519.00	24,279.00	27,009.00	27,409.00	
SKV 4011	25,809.00		28,539.00	28,929.00	24,689.00	27,419.00	27,809.00	
SKV 4013	26,549.00		29,279.00	29,669.00	25,429.00	28,159.00	28,549.00	
SKV 5095	25,929.00		28,659.00	29,049.00	24,809.00	27,539.00	27,939.00	
SKV 6009	25,949.00		28,679.00	29,069.00	24,839.00	27,569.00	27,959.00	
SKV 6011	26,919.00		29,649.00	30,039.00	25,809.00	28,539.00	28,929.00	
SKV 3013	20		26,749.00	29,679.00	30,119.00	25,849.00	28,779.00	29,209.00
SKV 4011			27,019.00	29,949.00	30,379.00	26,109.00	29,049.00	29,479.00
SKV 4013		28,119.00	31,059.00	31,489.00	27,219.00	30,149.00	30,579.00	
SKV 5095		27,509.00	30,439.00	30,869.00	26,599.00	29,529.00	29,969.00	
SKV 6011		28,489.00	31,419.00	31,859.00	27,589.00	30,519.00	30,949.00	
SKV 6013		31,019.00	33,949.00	34,379.00	30,109.00	33,039.00	33,469.00	
SKV 8011		31,079.00	34,009.00	34,439.00	30,169.00	33,109.00	33,539.00	
SKV 4013		25	37,041.00	39,361.00	39,831.00	35,351.00	37,671.00	38,141.00
SKV 5095			37,051.00	39,371.00	39,841.00	35,361.00	37,681.00	38,141.00
SKV 6011			37,401.00	39,711.00	40,181.00	35,711.00	38,021.00	38,491.00
SKV 6013	38,201.00		40,521.00	40,991.00	36,511.00	38,831.00	39,301.00	
SKV 8011	40,061.00		42,371.00	42,841.00	38,371.00	40,681.00	41,151.00	
SKV 4013	30		41,291.00	43,331.00	43,811.00	39,541.00	41,581.00	42,051.00
SKV 6011		41,611.00	43,651.00	44,131.00	39,861.00	41,891.00	42,371.00	
SKV 6013		42,451.00	44,491.00	44,971.00	40,701.00	42,741.00	43,211.00	
SKV 8011		44,311.00	46,341.00	46,821.00	42,551.00	44,591.00	45,071.00	
SKV 6013	40	50,117.00	52,157.00	52,577.00	47,667.00	49,697.00	50,127.00	
SKV 8011		51,997.00	54,037.00	54,457.00	49,537.00	51,577.00	51,997.00	
SKV 8013		52,437.00	54,477.00	54,897.00	49,977.00	52,017.00	52,437.00	
SKV 6013	50	57,177.00	59,217.00	59,787.00	54,357.00	56,407.00	56,967.00	
SKV 8011		59,057.00	61,097.00	61,667.00	56,237.00	58,277.00	58,847.00	
SKV 8013		59,497.00	61,537.00	62,107.00	56,677.00	58,717.00	59,287.00	
SKV 6013	60	72,206.00	73,676.00	74,346.00	69,356.00	70,826.00	71,496.00	
SKV 8013		74,576.00	76,046.00	76,726.00	71,726.00	73,196.00	73,876.00	

3600rpm 200v/3							
		Pump and VFD including mounting brackets, wire harness, and vibration mounts. VFD Shipping Options: 1.) Attached to the pump, or 2.) Detached from the pump on a separate pallet.			Pump and VFD <u>ONLY</u> DOES NOT INCLUDE: Mounting brackets, wire harness, or vibration mounts. VFD shipped detached from the pump on a separate pallet. Customer to wall-mount VFD.		
Model	HP	Base Drive	Mechanical Disconnect	Fused Disconnect	Base Drive Not Mounted	Mechanical Disconnect Not Mounted	Fused Disconnect Not Mounted
SKV 1506	3.0	13,378.00	17,008.00	17,388.00	12,268.00	15,898.00	16,288.00
SKV 2006		13,578.00	17,198.00	17,588.00	12,468.00	16,088.00	16,478.00
SKV 1506	5.0	14,278.00	18,068.00	18,468.00	13,148.00	16,938.00	17,338.00
SKV 1507		14,408.00	18,198.00	18,588.00	13,278.00	17,068.00	17,458.00
SVK 2006		14,498.00	18,288.00	18,678.00	13,368.00	17,148.00	17,548.00
SKV 3006		14,658.00	18,448.00	18,838.00	13,528.00	17,318.00	17,708.00
SKV 1506	7.5	15,872.00	19,242.00	19,582.00	14,662.00	18,042.00	18,382.00
SKV 1507		16,022.00	19,402.00	19,742.00	14,812.00	18,192.00	18,532.00
SKV 2006		16,082.00	19,462.00	19,802.00	14,872.00	18,252.00	18,592.00
SKV 3006		16,252.00	19,622.00	19,962.00	15,042.00	18,422.00	18,762.00
SKV 1507	10	18,992.00	22,622.00	22,982.00	17,232.00	20,862.00	21,212.00
SKV 2006		19,092.00	22,722.00	23,072.00	17,322.00	20,952.00	21,302.00
SKV 2007		19,382.00	23,012.00	23,372.00	17,622.00	21,252.00	21,602.00
SKV 3006		19,252.00	22,882.00	23,242.00	17,482.00	21,112.00	21,472.00
SKV 1507	15	20,539.00	24,649.00	25,019.00	18,189.00	22,289.00	22,659.00
SKV 1509		21,059.00	25,159.00	25,529.00	18,709.00	22,809.00	23,179.00
SKV 2007		20,689.00	24,789.00	25,159.00	18,329.00	22,429.00	22,799.00
SKV 2009		21,129.00	25,229.00	25,599.00	18,769.00	22,869.00	23,239.00
SKV 3006		21,129.00	25,229.00	25,599.00	18,769.00	22,869.00	23,239.00
SKV 3007		21,339.00	25,439.00	25,809.00	18,979.00	23,079.00	23,449.00
SKV 3009		22,109.00	26,209.00	26,579.00	19,759.00	23,859.00	24,229.00
SKV 1509	20	24,699.00	29,119.00	29,499.00	21,899.00	26,319.00	26,699.00
SKV 2007		24,329.00	28,749.00	29,129.00	21,529.00	25,949.00	26,329.00
SKV 2009		25,639.00	30,059.00	30,439.00	22,839.00	27,259.00	27,639.00
SKV 3007		25,049.00	29,469.00	29,849.00	22,249.00	26,659.00	27,049.00
SKV 3009		25,379.00	29,799.00	30,179.00	22,579.00	26,989.00	27,379.00
SKV 4007	25	25,819.00	30,239.00	30,619.00	23,019.00	27,439.00	27,819.00
SKV 1509		30,661.00	35,911.00	36,351.00	27,081.00	32,341.00	32,781.00
SKV 2007		30,331.00	35,591.00	36,031.00	26,761.00	32,011.00	32,451.00
SKV 2009		30,701.00	35,961.00	36,401.00	27,131.00	32,381.00	32,821.00
SKV 3007		30,131.00	35,391.00	35,831.00	26,561.00	31,811.00	32,251.00
SKV 3009		30,441.00	35,691.00	36,131.00	26,861.00	32,121.00	32,561.00
SKV 4007		30,741.00	36,001.00	36,441.00	27,171.00	32,421.00	32,861.00
SKV 5007		30,501.00	35,751.00	36,191.00	26,921.00	32,181.00	32,621.00

3600rpm 200v/3							
		Pump and VFD including mounting brackets, wire harness, and vibration mounts. VFD Shipping Options: 1.) Attached to the pump, or 2.) Detached from the pump on a separate pallet.			Pump and VFD <u>ONLY</u> DOES NOT INCLUDE: Mounting brackets, wire harness, or vibration mounts. VFD shipped detached from the pump on a separate pallet. Customer to wall-mount VFD.		
Model	HP	Base Drive	Mechanical Disconnect	Fused Disconnect	Base Drive Not Mounted	Mechanical Disconnect Not Mounted	Fused Disconnect Not Mounted
SKV 1509	30	35,581.00	41,061.00	41,581.00	32,011.00	37,491.00	38,011.00
SKV 2009		36,461.00	41,941.00	42,461.00	32,891.00	38,371.00	38,891.00
SKV 2508		35,491.00	40,981.00	41,501.00	31,921.00	37,411.00	37,931.00
SKV 3007		34,981.00	40,471.00	40,991.00	31,411.00	36,901.00	37,421.00
SKV 3009		35,151.00	40,631.00	41,151.00	31,581.00	37,061.00	37,581.00
SKV 4007		35,611.00	41,091.00	41,611.00	32,041.00	37,521.00	38,041.00
SKV 4009		36,121.00	41,601.00	42,131.00	32,551.00	38,031.00	38,561.00
SKV 5007		36,081.00	41,561.00	42,091.00	32,511.00	37,991.00	38,521.00
SKV 1509		40	40,617.00	50,777.00	51,487.00	36,187.00	46,347.00
SKV 2009	41,497.00		51,657.00	52,367.00	37,067.00	47,227.00	47,947.00
SKV 2508	41,597.00		51,757.00	52,467.00	37,167.00	47,327.00	48,037.00
SKV 3007	40,017.00		50,177.00	50,897.00	35,597.00	45,757.00	46,467.00
SKV 3009	40,437.00		50,597.00	51,307.00	36,017.00	46,167.00	46,887.00
SKV 4007	40,647.00		50,807.00	51,517.00	36,227.00	46,377.00	47,097.00
SKV 4009	41,157.00		51,317.00	52,027.00	36,737.00	46,897.00	47,607.00
SKV 4075	42,707.00		52,867.00	53,577.00	38,277.00	48,437.00	49,157.00
SKV 5007	41,117.00		51,277.00	51,987.00	36,697.00	46,847.00	47,567.00
SKV 5075	42,187.00	52,347.00	53,057.00	37,757.00	47,917.00	48,627.00	
SKV 2508	50	48,477.00	64,037.00	64,717.00	43,167.00	58,727.00	59,407.00
SKV 4009		49,157.00	64,707.00	65,397.00	43,847.00	59,397.00	60,087.00
SKV 4075		47,897.00	63,447.00	64,137.00	42,587.00	58,137.00	58,827.00
SKV 5007		47,677.00	63,237.00	63,917.00	42,367.00	57,927.00	58,607.00
SKV 5075		48,747.00	64,307.00	64,987.00	43,437.00	58,997.00	59,677.00
SKV 2508	60	55,316.00	76,286.00	77,006.00	49,676.00	70,656.00	71,366.00
SKV 3009		55,236.00	76,216.00	76,926.00	49,606.00	70,576.00	71,296.00
SKV 4009		55,946.00	76,916.00	77,636.00	50,306.00	71,286.00	71,996.00
SKV 5075		56,976.00	77,956.00	78,676.00	51,346.00	72,326.00	73,036.00



3600rpm 208v-230v/3							
		Pump and VFD including mounting brackets, wire harness, and vibration mounts. VFD Shipping Options: 1.) Attached to the pump, or 2.) Detached from the pump on a separate pallet.			Pump and VFD <u>ONLY</u> DOES NOT INCLUDE: Mounting brackets, wire harness, or vibration mounts. VFD shipped detached from the pump on a separate pallet. Customer to wall-mount VFD.		
Model	HP	Base Drive	Mechanical Disconnect	Fused Disconnect	Base Drive Not Mounted	Mechanical Disconnect Not Mounted	Fused Disconnect Not Mounted
SKV 1506	3.0	13,368.00	16,988.00	17,378.00	12,258.00	15,878.00	16,268.00
SKV 2006		13,558.00	17,178.00	17,568.00	12,448.00	16,078.00	16,458.00
SKV 1506	5.0	15,218.00	18,998.00	19,398.00	14,088.00	17,868.00	18,268.00
SKV 1507		15,338.00	19,128.00	19,528.00	14,208.00	17,998.00	18,398.00
SVK 2006		15,428.00	19,218.00	19,608.00	14,298.00	18,088.00	18,478.00
SKV 3006		15,588.00	19,378.00	19,778.00	14,458.00	18,248.00	18,648.00
SKV 1506	7.5	16,712.00	20,082.00	20,422.00	15,502.00	18,882.00	19,222.00
SKV 1507		16,862.00	20,242.00	20,582.00	15,652.00	19,032.00	19,372.00
SKV 2006		16,922.00	20,302.00	20,642.00	15,712.00	19,092.00	19,432.00
SKV 3006		17,092.00	20,462.00	20,802.00	15,882.00	19,262.00	19,602.00
SKV 1507	10	18,182.00	21,812.00	22,162.00	16,412.00	20,042.00	20,392.00
SKV 2006		18,272.00	21,902.00	22,252.00	16,502.00	20,132.00	20,492.00
SKV 2007		18,572.00	22,202.00	22,552.00	16,802.00	20,432.00	20,782.00
SKV 3006		18,432.00	22,062.00	22,422.00	16,662.00	20,292.00	20,652.00
SKV 1507	15	21,319.00	25,419.00	25,789.00	18,959.00	23,069.00	23,439.00
SKV 1509		21,839.00	25,939.00	26,309.00	19,479.00	23,579.00	23,949.00
SKV 2007		21,459.00	25,559.00	25,929.00	19,109.00	23,209.00	23,579.00
SKV 2009		21,899.00	25,999.00	26,369.00	19,549.00	23,649.00	24,019.00
SKV 3006		21,899.00	25,999.00	26,369.00	19,549.00	23,649.00	24,019.00
SKV 3007		22,109.00	26,209.00	26,579.00	19,749.00	23,859.00	24,229.00
SKV 3009		22,889.00	26,989.00	27,359.00	20,529.00	24,629.00	24,999.00
SKV 1509	20	26,269.00	30,679.00	31,069.00	23,459.00	27,879.00	28,259.00
SKV 2007		25,899.00	27,679.00	30,699.00	23,089.00	24,879.00	27,889.00
SKV 2009		27,209.00	28,989.00	32,009.00	24,399.00	26,189.00	29,199.00
SKV 3007		26,609.00	28,399.00	31,409.00	23,809.00	25,589.00	28,609.00
SKV 3009		26,949.00	28,729.00	31,749.00	24,139.00	25,929.00	28,939.00
SKV 4007		27,389.00	29,169.00	32,189.00	24,589.00	26,369.00	29,389.00
SKV 1509	25	33,161.00	38,411.00	38,851.00	29,581.00	34,841.00	35,281.00
SKV 2007		32,831.00	38,091.00	38,531.00	29,261.00	34,511.00	34,951.00
SKV 2009		33,201.00	38,461.00	38,901.00	29,631.00	34,881.00	35,321.00
SKV 3007		32,631.00	37,891.00	38,331.00	29,061.00	34,311.00	34,751.00
SKV 3009		32,941.00	38,191.00	38,631.00	29,361.00	34,621.00	35,061.00
SKV 4007		33,241.00	38,501.00	38,941.00	29,671.00	34,921.00	35,361.00
SKV 5007		33,001.00	38,251.00	38,691.00	29,421.00	34,681.00	35,121.00



3600rpm 208v-230v/3							
		Pump and VFD including mounting brackets, wire harness, and vibration mounts. VFD Shipping Options: 1.) Attached to the pump, or 2.) Detached from the pump on a separate pallet.			Pump and VFD <u>ONLY</u> DOES NOT INCLUDE: Mounting brackets, wire harness, or vibration mounts. VFD shipped detached from the pump on a separate pallet. Customer to wall-mount VFD.		
Model	HP	Base Drive	Mechanical Disconnect	Fused Disconnect	Base Drive Not Mounted	Mechanical Disconnect Not Mounted	Fused Disconnect Not Mounted
SKV 1509	30	38,241.00	43,731.00	44,251.00	34,671.00	40,161.00	40,681.00
SKV 2009		39,131.00	44,611.00	45,131.00	35,561.00	41,041.00	41,561.00
SKV 2508		38,161.00	43,641.00	44,171.00	34,591.00	40,071.00	40,601.00
SKV 3007		37,651.00	43,141.00	43,661.00	34,081.00	39,571.00	40,091.00
SKV 3009		37,811.00	43,301.00	43,821.00	34,241.00	39,731.00	40,251.00
SKV 4007		38,281.00	43,761.00	44,281.00	34,711.00	40,191.00	40,711.00
SKV 4009		38,791.00	44,271.00	44,801.00	35,221.00	40,701.00	41,231.00
SKV 5007		38,751.00	44,231.00	44,761.00	35,181.00	40,661.00	41,191.00
SKV 1509		40	49,017.00	59,177.00	59,887.00	44,597.00	54,747.00
SKV 2009	49,897.00		60,057.00	60,767.00	45,477.00	55,637.00	56,347.00
SKV 2508	49,997.00		60,157.00	60,867.00	45,577.00	55,727.00	56,447.00
SKV 3007	48,427.00		58,587.00	59,297.00	43,997.00	54,157.00	54,877.00
SKV 3009	48,837.00		58,997.00	59,717.00	44,417.00	54,577.00	55,287.00
SKV 4007	49,047.00		59,207.00	59,927.00	44,627.00	54,787.00	55,497.00
SKV 4009	49,567.00		59,717.00	60,437.00	45,137.00	55,297.00	56,007.00
SKV 4075	51,107.00		61,267.00	61,987.00	46,687.00	56,847.00	57,557.00
SKV 5007	49,517.00		59,677.00	60,397.00	45,097.00	55,257.00	55,967.00
SKV 5075	50,587.00	60,747.00	61,457.00	46,167.00	56,317.00	57,037.00	
SKV 2508	50	57,887.00	73,437.00	74,127.00	52,577.00	68,127.00	68,817.00
SKV 4009		58,557.00	74,107.00	74,797.00	53,247.00	68,797.00	69,487.00
SKV 4075		57,297.00	72,857.00	73,537.00	51,987.00	67,547.00	68,227.00
SKV 5007		57,087.00	72,637.00	73,327.00	51,777.00	67,327.00	68,017.00
SKV 5075		58,147.00	73,707.00	74,387.00	52,837.00	68,397.00	69,077.00
SKV 2508	60	69,506.00	90,486.00	91,196.00	63,876.00	84,856.00	85,566.00
SKV 3009		69,426.00	90,406.00	91,116.00	63,796.00	84,776.00	85,486.00
SKV 4009		70,136.00	91,116.00	91,826.00	64,506.00	85,476.00	86,196.00
SKV 5075		71,176.00	92,156.00	92,866.00	65,546.00	86,516.00	87,236.00

3600rpm 380v-460v/3							
		Pump and VFD including mounting brackets, wire harness, and vibration mounts. VFD Shipping Options: 1.) Attached to the pump, or 2.) Detached from the pump on a separate pallet.			Pump and VFD <u>ONLY</u> DOES NOT INCLUDE: Mounting brackets, wire harness, or vibration mounts. VFD shipped detached from the pump on a separate pallet. Customer to wall-mount VFD.		
Model	HP	Base Drive	Mechanical Disconnect	Fused Disconnect	Base Drive Not Mounted	Mechanical Disconnect Not Mounted	Fused Disconnect Not Mounted
SKV 1506	3.0	13,398.00	16,548.00	16,908.00	12,288.00	15,448.00	15,798.00
SKV 2006		13,588.00	16,748.00	17,098.00	12,478.00	15,638.00	15,988.00
SKV 1506	5.0	15,058.00	18,248.00	18,608.00	13,948.00	17,138.00	17,498.00
SKV 1507		15,178.00	18,368.00	18,728.00	14,078.00	17,268.00	17,628.00
SVK 2006		15,268.00	18,458.00	18,818.00	14,168.00	17,358.00	17,718.00
SKV 3006		15,428.00	18,618.00	18,978.00	14,328.00	17,518.00	17,878.00
SKV 1506	7.5	15,822.00	18,952.00	19,292.00	14,712.00	17,842.00	18,192.00
SKV 1507		15,972.00	19,102.00	19,452.00	14,862.00	17,992.00	18,342.00
SKV 2006		16,032.00	19,162.00	19,512.00	14,932.00	18,052.00	18,402.00
SKV 3006		16,202.00	19,332.00	19,672.00	15,092.00	18,222.00	18,572.00
SKV 1507	10	16,472.00	19,562.00	19,902.00	15,342.00	18,432.00	18,772.00
SKV 2006		16,562.00	19,652.00	19,992.00	15,432.00	18,522.00	18,862.00
SKV 2007		16,862.00	19,952.00	20,292.00	15,732.00	18,822.00	19,162.00
SKV 3006		16,732.00	19,812.00	20,152.00	15,602.00	18,682.00	19,022.00
SKV 1507	15	19,329.00	21,749.00	22,099.00	18,199.00	20,619.00	20,979.00
SKV 1509		19,839.00	22,259.00	22,619.00	18,719.00	21,129.00	21,489.00
SKV 2007		19,469.00	21,889.00	22,239.00	18,339.00	20,759.00	21,119.00
SKV 2009		19,909.00	22,329.00	22,689.00	18,779.00	21,199.00	21,559.00
SKV 3006		19,909.00	22,329.00	22,689.00	18,779.00	21,199.00	21,559.00
SKV 3007		20,119.00	22,539.00	22,889.00	18,989.00	21,409.00	21,769.00
SKV 3009		20,899.00	23,309.00	23,669.00	19,769.00	22,189.00	22,539.00
SKV 1509	20	23,619.00	26,209.00	26,609.00	21,929.00	24,519.00	24,909.00
SKV 2007		23,249.00	25,839.00	26,239.00	21,559.00	24,149.00	24,549.00
SKV 2009		24,559.00	27,149.00	27,549.00	22,869.00	25,459.00	25,859.00
SKV 3007		23,969.00	26,559.00	26,949.00	22,279.00	24,869.00	25,259.00
SKV 3009		24,299.00	26,889.00	27,279.00	22,609.00	25,199.00	25,589.00
SKV 4007	25	24,739.00	27,329.00	27,729.00	23,049.00	25,639.00	26,039.00
SKV 1509		30,171.00	32,131.00	32,541.00	27,821.00	29,781.00	30,191.00
SKV 2007		29,851.00	31,811.00	32,221.00	27,501.00	29,461.00	29,871.00
SKV 2009		30,211.00	32,181.00	32,591.00	27,861.00	29,831.00	30,241.00
SKV 3007		29,641.00	31,611.00	32,021.00	27,291.00	29,261.00	29,671.00
SKV 3009		29,951.00	31,911.00	32,321.00	27,601.00	29,561.00	29,971.00
SKV 4007		30,251.00	32,221.00	32,631.00	27,901.00	29,871.00	30,281.00
SKV 5007		30,011.00	31,971.00	32,381.00	27,661.00	29,621.00	30,031.00

3600rpm 380v-460v/3							
		Pump and VFD including mounting brackets, wire harness, and vibration mounts. VFD Shipping Options: 1.) Attached to the pump, or 2.) Detached from the pump on a separate pallet.			Pump and VFD <u>ONLY</u> DOES NOT INCLUDE: Mounting brackets, wire harness, or vibration mounts. VFD shipped detached from the pump on a separate pallet. Customer to wall-mount VFD.		
Model	HP	Base Drive	Mechanical Disconnect	Fused Disconnect	Base Drive Not Mounted	Mechanical Disconnect Not Mounted	Fused Disconnect Not Mounted
SKV 1509	30	34,761.00	36,451.00	36,861.00	32,341.00	34,031.00	34,451.00
SKV 2009		35,641.00	37,331.00	37,741.00	33,221.00	34,911.00	35,331.00
SKV 2508		34,671.00	36,361.00	36,781.00	32,261.00	33,951.00	34,361.00
SKV 3007		34,171.00	35,851.00	36,271.00	31,751.00	33,441.00	33,851.00
SKV 3009		34,331.00	36,011.00	36,431.00	31,911.00	33,601.00	34,021.00
SKV 4007		34,791.00	36,481.00	36,891.00	32,371.00	34,061.00	34,481.00
SKV 4009		35,301.00	36,991.00	37,411.00	32,891.00	34,581.00	34,991.00
SKV 5007		35,261.00	36,951.00	37,361.00	32,851.00	34,541.00	34,951.00
SKV 1509		40	43,507.00	45,187.00	45,607.00	40,627.00	42,307.00
SKV 2009	44,387.00		46,067.00	46,487.00	41,517.00	43,197.00	43,607.00
SKV 2508	44,487.00		46,167.00	46,587.00	41,607.00	43,287.00	43,707.00
SKV 3007	42,917.00		44,597.00	45,017.00	40,037.00	41,717.00	42,137.00
SKV 3009	43,337.00		45,017.00	45,427.00	40,457.00	42,137.00	42,557.00
SKV 4007	43,547.00		45,227.00	45,637.00	40,667.00	42,347.00	42,767.00
SKV 4009	44,057.00		45,737.00	46,157.00	41,177.00	42,857.00	43,277.00
SKV 4075	45,597.00		47,277.00	47,697.00	42,727.00	44,407.00	44,827.00
SKV 5007	44,017.00		45,697.00	46,117.00	41,137.00	42,817.00	43,237.00
SKV 5075	45,077.00		46,757.00	47,177.00	42,197.00	43,877.00	44,297.00
SKV 2508	50	53,427.00	53,437.00	55,207.00	49,957.00	49,967.00	51,747.00
SKV 4009		54,097.00	54,107.00	55,887.00	50,637.00	50,647.00	52,417.00
SKV 4075		52,837.00	52,847.00	54,627.00	49,377.00	49,387.00	51,157.00
SKV 5007		52,627.00	52,637.00	54,407.00	49,157.00	49,177.00	50,947.00
SKV 5075		53,687.00	53,707.00	55,477.00	50,227.00	50,237.00	52,017.00
SKV 2508	60	63,836.00	65,196.00	65,806.00	59,646.00	60,996.00	61,616.00
SKV 3009		63,766.00	65,116.00	65,736.00	59,566.00	60,916.00	61,536.00
SKV 4009		64,466.00	65,816.00	66,436.00	60,276.00	61,626.00	62,246.00
SKV 5075		65,506.00	66,856.00	67,476.00	61,316.00	62,666.00	63,286.00

3600rpm 575v - 600v/3							
		Pump and VFD including mounting brackets, wire harness, and vibration mounts. VFD Shipping Options: 1.) Attached to the pump, or 2.) Detached from the pump on a separate pallet.			Pump and VFD <u>ONLY</u> DOES NOT INCLUDE: Mounting brackets, wire harness, or vibration mounts. VFD shipped detached from the pump on a separate pallet. Customer to wall-mount VFD.		
Model	HP	Base Drive	Mechanical Disconnect	Fused Disconnect	Base Drive Not Mounted	Mechanical Disconnect Not Mounted	Fused Disconnect Not Mounted
SKV 1506	3.0	14,268.00	17,728.00	18,128.00	13,158.00	16,618.00	17,018.00
SKV 2006		14,458.00	17,918.00	18,318.00	13,358.00	16,818.00	17,218.00
SKV 1506	5.0	15,498.00	18,998.00	19,418.00	14,398.00	17,888.00	18,318.00
SKV 1507		15,628.00	19,118.00	19,548.00	14,518.00	18,018.00	18,438.00
SVK 2006		15,718.00	19,208.00	19,638.00	14,608.00	18,108.00	18,528.00
SKV 3006		15,878.00	19,368.00	19,798.00	14,768.00	18,268.00	18,688.00
SKV 1506	7.5	16,732.00	20,162.00	20,562.00	15,622.00	19,052.00	19,452.00
SKV 1507		16,882.00	20,312.00	20,712.00	15,772.00	19,202.00	19,602.00
SKV 2006		16,942.00	20,372.00	20,772.00	15,832.00	19,262.00	19,662.00
SKV 3006		17,102.00	20,532.00	20,942.00	16,002.00	19,432.00	19,832.00
SKV 1507	10	18,252.00	21,632.00	22,022.00	17,152.00	20,532.00	20,922.00
SKV 2006		18,352.00	21,732.00	22,122.00	17,242.00	20,622.00	21,012.00
SKV 2007		18,642.00	22,022.00	22,412.00	17,542.00	20,922.00	21,312.00
SKV 3006		18,512.00	21,892.00	22,282.00	17,402.00	20,792.00	21,172.00
SKV 1507	15	23,969.00	26,699.00	27,099.00	22,859.00	25,589.00	25,979.00
SKV 1509		24,489.00	27,219.00	27,609.00	23,369.00	26,099.00	26,499.00
SKV 2007		24,109.00	26,839.00	27,239.00	22,999.00	25,729.00	26,119.00
SKV 2009		24,549.00	39,839.00	27,679.00	23,439.00	26,169.00	26,559.00
SKV 3006		24,559.00	27,279.00	27,679.00	23,439.00	26,169.00	26,559.00
SKV 3007		24,759.00	27,489.00	27,889.00	23,649.00	26,379.00	26,769.00
SKV 3009		25,539.00	28,269.00	28,659.00	24,429.00	27,149.00	27,549.00
SKV 1509	20	27,759.00	30,689.00	31,119.00	26,639.00	29,579.00	30,009.00
SKV 2007		27,179.00	30,109.00	30,539.00	26,269.00	29,209.00	29,639.00
SKV 2009		28,489.00	31,419.00	31,849.00	27,579.00	30,519.00	30,949.00
SKV 3007		27,899.00	30,829.00	31,259.00	26,989.00	29,919.00	30,359.00
SKV 3009		28,229.00	31,159.00	31,589.00	27,319.00	30,259.00	30,689.00
SKV 4007	25	28,669.00	31,609.00	32,039.00	27,769.00	30,699.00	31,129.00
SKV 1509		32,341.00	34,661.00	35,131.00	31,441.00	33,751.00	34,221.00
SKV 2007		32,811.00	35,121.00	35,591.00	31,121.00	33,431.00	33,901.00
SKV 2009		33,181.00	35,491.00	35,961.00	31,481.00	33,801.00	34,271.00
SKV 3007		32,611.00	34,921.00	35,391.00	30,911.00	33,231.00	33,701.00
SKV 3009		32,911.00	35,221.00	35,691.00	31,221.00	33,531.00	34,001.00
SKV 4007		33,221.00	35,531.00	36,001.00	31,521.00	33,841.00	34,311.00
SKV 5007		32,971.00	35,281.00	35,751.00	31,281.00	33,591.00	34,061.00

3600rpm 575v - 600v/3								
		Pump and VFD including mounting brackets, wire harness, and vibration mounts. VFD Shipping Options: 1.) Attached to the pump, or 2.) Detached from the pump on a separate pallet.			Pump and VFD <u>ONLY</u> DOES NOT INCLUDE: Mounting brackets, wire harness, or vibration mounts. VFD shipped detached from the pump on a separate pallet. Customer to wall-mount VFD.			
Model	HP	Base Drive	Mechanical Disconnect	Fused Disconnect	Base Drive Not Mounted	Mechanical Disconnect Not Mounted	Fused Disconnect Not Mounted	
SKV 1509	30	39,621.00	41,661.00	42,131.00	37,931.00	39,971.00	40,441.00	
SKV 2009		40,501.00	42,541.00	43,011.00	38,811.00	40,851.00	41,321.00	
SKV 2508		39,531.00	41,571.00	42,051.00	37,841.00	39,881.00	40,361.00	
SKV 3007		39,031.00	41,061.00	41,541.00	37,341.00	39,371.00	39,851.00	
SKV 3009		39,191.00	41,221.00	41,701.00	37,501.00	39,531.00	40,011.00	
SKV 4007		39,651.00	41,691.00	42,161.00	37,961.00	40,001.00	40,471.00	
SKV 4009		40,231.00	42,261.00	42,741.00	38,471.00	40,511.00	40,991.00	
SKV 5007		40,191.00	42,221.00	42,701.00	38,431.00	40,471.00	40,951.00	
SKV 1509		40	44,637.00	46,677.00	47,097.00	42,887.00	44,927.00	45,347.00
SKV 2009	46,227.00		48,257.00	48,687.00	43,767.00	45,807.00	46,227.00	
SKV 2508	46,327.00		48,357.00	48,787.00	43,867.00	45,907.00	46,327.00	
SKV 3007	44,747.00		46,787.00	47,207.00	42,297.00	44,327.00	44,757.00	
SKV 3009	45,167.00		47,207.00	47,627.00	42,707.00	44,747.00	45,167.00	
SKV 4007	45,377.00		47,417.00	47,837.00	42,917.00	44,957.00	45,377.00	
SKV 4009	45,887.00		47,927.00	48,347.00	43,427.00	45,467.00	45,887.00	
SKV 4075	47,437.00		49,477.00	49,897.00	44,977.00	47,017.00	47,437.00	
SKV 5007	45,847.00		47,887.00	48,307.00	43,387.00	45,427.00	45,847.00	
SKV 5075	46,917.00		48,947.00	49,377.00	44,457.00	46,497.00	46,917.00	
SKV 2508	50		55,387.00	57,427.00	57,997.00	52,937.00	54,977.00	55,537.00
SKV 4009			56,067.00	58,107.00	58,677.00	53,607.00	55,647.00	56,217.00
SKV 4075		54,807.00	56,847.00	57,417.00	52,347.00	54,387.00	54,957.00	
SKV 5007		54,587.00	56,637.00	57,197.00	52,137.00	54,177.00	54,747.00	
SKV 5075		56,017.00	58,057.00	58,627.00	53,197.00	55,237.00	55,807.00	
SKV 2508	60	66,816.00	68,286.00	68,956.00	63,996.00	65,466.00	66,136.00	
SKV 3009		66,736.00	68,206.00	68,876.00	63,916.00	65,386.00	66,066.00	
SKV 4009		67,446.00	68,906.00	69,586.00	64,626.00	66,096.00	66,766.00	
SKV 5075		68,516.00	69,976.00	70,656.00	65,666.00	67,126.00	67,806.00	

MOTOR FRAME SIZE (CODE)	STAINLESS STEEL SHAFT SLEEVES	SILICON-CARBIDE/CARBON/EPT	EPT TUNGSTEN CARBIDE SEAL	STAINLESS STEEL SHAFT	CERTIFIED TEST CURVES
143-215 (H, J, K)	326.50	325.00	450.50	CONSULT FACTORY	2,118.00
254-256 (L)	366.00	325.00	608.00	CONSULT FACTORY	2,610.00
284-365 (M, N, R)	450.50	325.00	608.00	CONSULT FACTORY	2,860.00

OPTIONS		
FLANGE SIZE	250lb. WORKING PRESSURE	WEAR RINGS
1.5" - 2.5"	827.00	563.00
3" - 5"	1,276.00	654.00
6" - 10"	1,501.00	889.00

TEFC MOTOR DRIP CAPS Ships Unmounted		
PART NUMBER	MOTOR FRAME SIZE	LIST PRICE (\$)
951-6381RP	143-145	165.00
951-6382RP	182-184	192.00
951-6383RP	213-215	252.00
	284 and above	Consult Factory

LIST PRICE ADDER FOR SUPPORT STAND			
PUMP MODEL	PART NUMBER	LIST PRICE	SUPPORT STAND WEIGHT
SKV1506	953-3907	287.50	10 LBS
SKV1507	953-4062	287.50	10 LBS
SKV1509	953-4062	287.50	10 LBS
SKV2006	953-3986	386.00	19 LBS
SKV2007	953-4063	386.00	19 LBS
SKV2009	953-3986	386.00	19 LBS
SKV2011	953-3985	386.00	19 LBS
SKV2508	953-4064	386.00	19 LBS
SKV2510	953-3967	476.50	26 LBS
SKV3006	953-4066	476.50	26 LBS
SKV3007	953-4063	386.00	19 LBS
SKV3009	953-3983	476.50	26 LBS
SKV3011	953-4065	476.50	26 LBS
SKV3013	953-3973	774.00	47 LBS
SKV4007	953-3966	386.00	19 LBS
SKV4009	953-3974	774.00	47 LBS
SKV4011	953-3976	774.00	47 LBS
SKV4013	953-4067	774.00	47 LBS
SKV4075	953-3967	476.50	26 LBS
SKV5007	953-4068	964.00	66 LBS
SKV5075	953-4068	964.00	66 LBS
SKV5095	953-4068	964.00	66 LBS
SKV6009	953-3968	964.00	66 LBS
SKV6011	953-3988	964.00	66 LBS
SKV6013	953-4069	964.00	66 LBS
SKV8011	953-3991	1,286.00	100 LBS
SKV8013	953-4070	1,286.00	100 LBS

## Do it Once. Do it Right.™

TACO INC., 1160 Cranston Street, Cranston, RI 02920 Telephone: (401) 942-8000 Fax: (401) 942-2360  
 TACO (Canada), Ltd., 8450 Lawson Road, Milton, Ontario L9T 0J8 Telephone: (905) 564-9422 Fax: (905) 564-9436  
 Visit our website at: [www.taco-hvac.com](http://www.taco-hvac.com)

Printed in USA

Copyright 2006

TACO, Inc.



# Suggested List Prices

## SKS Self-Sensing Pumps (NEMA 4x Enclosures)

New

Updated: June 18, 2014

Effective: February 24, 2014

SKS Series 1800rpm 208v-230v/1.....	2
SKS Series 1800rpm 208v-230v/3.....	3 - 4
SKS Series 1800rpm 380v-460v/3.....	5 - 7
SKS Series 1800rpm 575v-600v/3.....	8 - 10
SKS Series 3600rpm 208v-230v/3.....	11 - 12
SKS Series 3600rpm 380v-460v/3.....	13 - 14
SKS Series 3600rpm 575v-600v/3.....	15 - 16
Options and Accessories.....	16 - 17

### Designations

All prices are factory list prices in US\$

n/a = Not Available

n/c = Standard, no charge

### Policies

All orders are subject to a minimum billing of \$50 Net. For information and Discount Schedule, please contact your Taco Representative or the factory.

One instruction manual per drive is included.

Startup charges are not included in the drive price.

### Standard Specifications:

Cast Iron Casing, Bronze Impeller, Bronze Shaft Sleeve  
Ceramic Mechanical Seal, Ball Bearing JM Frame Motor.

\*1.5 HP through 60 HP, PREMIUM EFFICIENCY, are  
230/460/60/3 TEFC motors for 208-230/460v and  
200/60/3 TEFC motors for 200v.

\*MAX HP on SKS pumps is 60 HP mounted,  
up to 250 HP unmounted @ 230v/460v.



**Do it Once. Do it Right.™**

TACO INC., 1160 Cranston Street, Cranston, RI 02920 Telephone: (401) 942-8000 Fax: (401) 942-2360  
TACO (Canada), Ltd., 8450 Lawson Road, Milton, Ontario L9T 0J8 Telephone: (905) 564-9422 Fax: (905) 564-9436  
Visit our website at: [www.taco-hvac.com](http://www.taco-hvac.com)

Printed in USA  
Copyright 2007  
TACO, Inc.



1800rpm 208v-230v/1					
		Pump and VFD including mounting brackets, wire harness, and vibration mounts. VFD Shipping Options: 1.) Attached to the pump, or 2.) Detached from the pump on a separate pallet.		Pump and VFD <u>ONLY</u> DOES NOT INCLUDE: Mounting brackets, wire harness, or vibration mounts. VFD shipped detached from the pump on a separate pallet. Customer to wall-mount VFD.	
SKS Model	HP	Base Drive	Mechanical Disconnect	Base Drive Unmounted	Mechanical Disconnect Unmounted
1506	1.5	18,209.00	19,859.00	17,209.00	18,859.00
1507		18,539.00	20,189.00	17,539.00	19,189.00
2006		18,359.00	20,019.00	17,369.00	19,019.00
2007		18,739.00	20,389.00	17,739.00	19,389.00
3006		18,519.00	20,169.00	17,529.00	19,179.00
1507	2.0	19,449.00	21,169.00	18,449.00	20,169.00
1509		20,019.00	21,739.00	19,029.00	20,749.00
2007		19,599.00	21,319.00	18,599.00	20,319.00
3007		19,979.00	21,699.00	18,979.00	20,699.00
1509	3.0	20,608.00	22,348.00	19,498.00	21,248.00
2007		20,318.00	22,058.00	19,208.00	20,958.00
2009		20,618.00	22,368.00	19,518.00	21,258.00
3007		20,708.00	22,448.00	19,598.00	21,348.00
3009		20,078.00	21,828.00	18,978.00	20,718.00
4007		21,228.00	22,968.00	20,118.00	21,868.00
1509	5.0	22,998.00	24,788.00	21,898.00	23,678.00
2009		23,018.00	24,798.00	21,908.00	23,698.00
2011		24,268.00	26,048.00	23,168.00	24,948.00
2508		23,278.00	25,058.00	22,168.00	23,958.00
3007		23,098.00	24,888.00	21,998.00	23,778.00
3009		23,218.00	24,998.00	22,108.00	23,898.00
4007		23,618.00	25,408.00	22,518.00	24,298.00
4009		24,708.00	26,498.00	23,608.00	25,388.00
4075		24,668.00	26,448.00	23,558.00	25,338.00
5007		24,478.00	26,258.00	23,368.00	25,158.00
5075		24,958.00	26,738.00	23,848.00	25,638.00
2011	7.5	26,582.00	28,392.00	25,472.00	27,292.00
2508		26,152.00	27,962.00	25,052.00	26,862.00
2510		27,452.00	29,262.00	26,342.00	28,152.00
3011		26,962.00	28,772.00	25,852.00	27,672.00
4007		26,502.00	28,312.00	25,392.00	27,202.00
4009		26,862.00	28,682.00	25,762.00	27,572.00
4011		28,542.00	30,352.00	27,432.00	29,242.00
4075		27,542.00	29,352.00	26,432.00	28,242.00
5007		27,352.00	29,162.00	26,252.00	28,062.00
5075		27,832.00	29,642.00	26,722.00	28,542.00
6009		28,002.00	29,812.00	26,902.00	28,712.00



1800rpm 208v-230v/3								
		Pump and VFD including mounting brackets, wire harness, and vibration mounts. VFD Shipping Options: 1.) Attached to the pump, or 2.) Detached from the pump on a separate pallet.			Pump and VFD <u>ONLY</u> DOES NOT INCLUDE: Mounting brackets, wire harness, or vibration mounts. VFD shipped detached from the pump on a separate pallet. Customer to wall-mount VFD.			
SKS Model	HP	Base Drive	Mechanical Disconnect	Fused Disconnect	Base Drive Unmounted	Mechanical Disconnect Unmounted	Fused Disconnect Unmounted	
1506	1.5	14,259.00	17,709.00	18,039.00	13,259.00	16,709.00	17,039.00	
1507		14,589.00	18,039.00	18,369.00	13,589.00	17,039.00	17,369.00	
2006		14,419.00	17,869.00	18,199.00	13,419.00	16,869.00	17,199.00	
2007		14,799.00	18,249.00	18,569.00	13,799.00	17,249.00	17,569.00	
3006		14,579.00	18,029.00	18,359.00	13,579.00	17,029.00	17,359.00	
1507	2.0	15,169.00	18,699.00	19,059.00	14,179.00	17,699.00	18,059.00	
1509		15,749.00	19,279.00	19,639.00	14,749.00	18,279.00	18,639.00	
2007		15,329.00	18,849.00	19,209.00	14,329.00	17,849.00	18,219.00	
3007		15,699.00	19,229.00	19,589.00	14,709.00	18,229.00	18,589.00	
1509	3.0	16,298.00	19,928.00	20,308.00	15,188.00	18,818.00	19,208.00	
2007		16,008.00	19,638.00	20,018.00	14,898.00	18,528.00	18,918.00	
2009		16,318.00	19,948.00	20,328.00	15,208.00	18,838.00	19,218.00	
3007		16,398.00	20,028.00	20,408.00	15,288.00	18,918.00	19,298.00	
3009		15,778.00	19,408.00	19,788.00	14,668.00	18,298.00	18,678.00	
4007		16,918.00	20,548.00	20,938.00	15,818.00	19,438.00	19,828.00	
1509	5.0	17,328.00	21,118.00	21,508.00	16,198.00	19,988.00	20,378.00	
2009		17,348.00	21,128.00	21,528.00	16,218.00	19,998.00	20,398.00	
2011		18,598.00	22,378.00	22,778.00	17,468.00	21,248.00	21,648.00	
2508		17,598.00	21,388.00	21,788.00	16,468.00	20,258.00	20,658.00	
3007		17,428.00	21,208.00	21,608.00	16,298.00	20,078.00	20,478.00	
3009		17,548.00	21,328.00	21,728.00	16,408.00	20,198.00	20,598.00	
4007		17,948.00	21,738.00	22,128.00	16,818.00	20,608.00	20,998.00	
4009		19,038.00	22,818.00	23,218.00	17,908.00	21,688.00	22,088.00	
4075		18,988.00	22,778.00	23,178.00	17,858.00	21,648.00	22,048.00	
5007		18,798.00	22,588.00	22,988.00	17,668.00	21,458.00	21,858.00	
5075		19,278.00	23,068.00	23,468.00	18,148.00	21,938.00	22,338.00	
2011		7.5	20,142.00	23,522.00	23,862.00	18,942.00	22,312.00	22,652.00
2508			19,722.00	23,092.00	23,432.00	18,512.00	21,892.00	22,232.00
2510	21,012.00		24,392.00	24,732.00	19,802.00	23,182.00	23,522.00	
3011	20,522.00		23,902.00	24,242.00	19,322.00	22,692.00	23,032.00	
4007	20,062.00		23,442.00	23,782.00	18,852.00	22,232.00	22,572.00	
4009	20,432.00		23,802.00	24,142.00	19,222.00	22,602.00	22,942.00	
4011	22,102.00		25,482.00	25,822.00	20,892.00	24,272.00	24,612.00	
4075	21,102.00		24,482.00	24,822.00	19,892.00	23,272.00	23,612.00	
5007	20,922.00		24,292.00	24,632.00	19,712.00	23,082.00	23,422.00	
5075	21,392.00		24,772.00	25,112.00	20,192.00	23,562.00	23,902.00	
6009	21,572.00		24,942.00	25,282.00	20,362.00	23,732.00	24,072.00	

1800rpm 208v-230v/3							
		Pump and VFD including mounting brackets, wire harness, and vibration mounts. VFD Shipping Options: 1.) Attached to the pump, or 2.) Detached from the pump on a separate pallet.			Pump and VFD <u>ONLY</u> DOES NOT INCLUDE: Mounting brackets, wire harness, or vibration mounts. VFD shipped detached from the pump on a separate pallet. Customer to wall-mount VFD.		
SKS Model	HP	Base Drive	Mechanical Disconnect	Fused Disconnect	Base Drive Unmounted	Mechanical Disconnect Unmounted	Fused Disconnect Unmounted
2011	10	22,022.00	25,652.00	26,012.00	20,262.00	23,892.00	24,242.00
2510		22,632.00	26,262.00	26,622.00	20,862.00	24,492.00	24,852.00
3011		22,442.00	26,072.00	26,432.00	20,682.00	24,312.00	24,662.00
3013		23,742.00	27,372.00	27,732.00	21,982.00	25,612.00	25,962.00
4009		22,272.00	25,902.00	26,252.00	20,502.00	24,132.00	24,492.00
4011		24,002.00	27,632.00	27,982.00	22,232.00	25,862.00	26,212.00
4013		24,852.00	28,482.00	28,842.00	23,082.00	26,712.00	27,072.00
5075		23,292.00	26,922.00	27,282.00	21,522.00	25,152.00	25,512.00
6009		23,462.00	27,092.00	27,442.00	21,692.00	25,322.00	25,682.00
2510		15	28,449.00	32,549.00	32,919.00	26,089.00	30,189.00
3011	28,099.00		32,199.00	32,569.00	25,749.00	29,849.00	30,219.00
3013	29,079.00		33,179.00	33,549.00	26,719.00	30,829.00	31,189.00
4011	28,859.00		32,969.00	33,339.00	26,509.00	30,609.00	30,979.00
4013	30,879.00		34,979.00	35,349.00	28,519.00	32,619.00	32,989.00
5095	29,639.00		33,739.00	34,109.00	27,279.00	31,379.00	31,749.00
6009	29,179.00		33,289.00	33,649.00	26,829.00	30,929.00	31,299.00
6011	30,529.00		34,629.00	34,999.00	28,169.00	32,269.00	32,639.00
3013	33,629.00		38,049.00	38,429.00	30,829.00	35,249.00	35,629.00
4011	33,419.00		37,829.00	38,219.00	30,609.00	35,029.00	35,409.00
4013	34,539.00	38,959.00	39,339.00	31,739.00	36,159.00	36,539.00	
5095	34,189.00	38,609.00	38,989.00	31,389.00	35,799.00	36,179.00	
6011	35,099.00	39,519.00	39,899.00	32,289.00	36,709.00	37,089.00	
6013	36,369.00	40,779.00	41,169.00	33,559.00	37,979.00	38,359.00	
8011	37,689.00	42,109.00	42,489.00	34,889.00	39,299.00	39,689.00	
4013	25	42,351.00	47,611.00	48,041.00	38,771.00	44,031.00	44,471.00
5095		41,841.00	47,101.00	47,541.00	38,271.00	43,521.00	43,961.00
6011		42,481.00	47,741.00	48,181.00	38,911.00	44,161.00	44,601.00
6013		43,491.00	48,751.00	49,181.00	39,911.00	45,171.00	45,611.00
8011		45,301.00	50,561.00	51,001.00	41,731.00	46,981.00	47,421.00
4013	30	46,871.00	52,351.00	52,871.00	43,301.00	48,781.00	49,301.00
6011		47,001.00	52,481.00	53,001.00	43,431.00	48,911.00	49,431.00
6013		48,011.00	53,491.00	54,011.00	44,441.00	49,921.00	50,441.00
8011		49,861.00	55,341.00	55,871.00	46,291.00	51,771.00	52,301.00
1013	40	64,787.00	74,947.00	75,667.00	60,367.00	70,527.00	71,237.00
6013		57,827.00	67,987.00	68,697.00	53,407.00	63,567.00	64,277.00
8011		59,507.00	69,667.00	70,377.00	55,087.00	65,247.00	65,957.00
8013		60,147.00	70,307.00	71,027.00	55,727.00	65,887.00	66,597.00
1013	50	70,877.00	86,437.00	87,117.00	65,567.00	81,127.00	81,807.00
6013		63,737.00	79,287.00	79,977.00	58,427.00	73,977.00	74,667.00
8011		65,467.00	81,027.00	81,707.00	60,157.00	75,717.00	76,397.00
8013		66,237.00	81,797.00	82,477.00	60,927.00	76,487.00	77,167.00
1013	60	87,916.00	108,896.00	109,606.00	82,286.00	103,256.00	103,976.00
6013		81,286.00	102,266.00	102,976.00	75,656.00	96,636.00	97,346.00
8013		83,616.00	104,596.00	105,306.00	77,986.00	98,966.00	99,676.00

1800rpm 380v-460v/3								
		Pump and VFD including mounting brackets, wire harness, and vibration mounts. VFD Shipping Options: 1.) Attached to the pump, or 2.) Detached from the pump on a separate pallet.			Pump and VFD <u>ONLY</u> DOES NOT INCLUDE: Mounting brackets, wire harness, or vibration mounts. VFD shipped detached from the pump on a separate pallet. Customer to wall-mount VFD.			
SKS Model	HP	Base Drive	Mechanical Disconnect	Fused Disconnect	Base Drive Unmounted	Mechanical Disconnect Unmounted	Fused Disconnect Unmounted	
1506	1.5	14,409.00	17,419.00	17,729.00	13,409.00	16,419.00	16,729.00	
1507		14,739.00	17,749.00	18,059.00	13,739.00	16,749.00	17,059.00	
2006		14,569.00	17,579.00	17,889.00	13,569.00	16,579.00	16,889.00	
2007		14,939.00	17,949.00	18,259.00	13,949.00	16,959.00	17,259.00	
3006		14,729.00	17,739.00	18,049.00	13,729.00	16,739.00	17,049.00	
1507	2.0	15,129.00	18,199.00	18,519.00	14,129.00	17,199.00	17,519.00	
1509		15,699.00	18,769.00	19,099.00	14,709.00	17,779.00	18,099.00	
2007		15,279.00	18,349.00	18,669.00	14,279.00	17,349.00	17,679.00	
3007		15,659.00	18,729.00	19,049.00	14,659.00	17,729.00	18,049.00	
1509	3.0	16,328.00	19,488.00	19,838.00	15,228.00	18,378.00	18,738.00	
2007		16,038.00	19,198.00	19,548.00	14,938.00	18,088.00	18,448.00	
2009		16,348.00	19,508.00	19,858.00	15,248.00	18,398.00	18,758.00	
3007		16,428.00	19,588.00	19,938.00	15,328.00	18,478.00	18,838.00	
3009		15,808.00	18,968.00	19,318.00	14,698.00	17,858.00	18,208.00	
4007		16,948.00	20,108.00	20,458.00	15,848.00	19,008.00	19,358.00	
1509	5.0	17,168.00	20,358.00	20,718.00	16,068.00	19,258.00	19,618.00	
2009		17,188.00	20,378.00	20,738.00	16,078.00	19,268.00	19,628.00	
2011		18,438.00	21,628.00	21,988.00	17,328.00	20,518.00	20,878.00	
2508		17,448.00	20,638.00	20,998.00	16,338.00	19,528.00	19,888.00	
3007		17,268.00	20,458.00	20,818.00	16,158.00	19,348.00	19,708.00	
3009		17,388.00	20,578.00	20,938.00	16,278.00	19,468.00	19,828.00	
4007		17,788.00	20,978.00	21,338.00	16,688.00	19,878.00	20,238.00	
4009		18,878.00	22,068.00	22,428.00	17,768.00	20,958.00	21,318.00	
4075		18,828.00	22,018.00	22,378.00	17,728.00	20,918.00	21,278.00	
5007		18,648.00	21,838.00	22,198.00	17,538.00	20,728.00	21,088.00	
5075		19,128.00	22,318.00	22,678.00	18,018.00	21,208.00	21,568.00	
2011		7.5	19,262.00	22,382.00	22,732.00	18,152.00	21,282.00	21,632.00
2508			18,832.00	21,952.00	22,302.00	17,722.00	20,852.00	21,202.00
2510	20,122.00		23,252.00	23,602.00	19,012.00	22,142.00	22,492.00	
3011	19,642.00		22,762.00	23,112.00	18,532.00	21,662.00	22,012.00	
4007	19,172.00		22,302.00	22,652.00	18,062.00	21,192.00	21,542.00	
4009	19,542.00		22,672.00	23,012.00	18,432.00	21,562.00	21,912.00	
4011	21,212.00		24,342.00	24,692.00	20,102.00	23,232.00	23,582.00	
4075	20,212.00		23,342.00	23,692.00	19,112.00	22,232.00	22,582.00	
5007	20,032.00		23,152.00	23,502.00	18,922.00	22,052.00	22,402.00	
5075	20,512.00		23,632.00	23,982.00	19,402.00	22,532.00	22,882.00	
6009		20,682.00	23,802.00	24,152.00	19,572.00	22,702.00	23,052.00	

1800rpm 380v- 460v/1								
		Pump and VFD including mounting brackets, wire harness, and vibration mounts. VFD Shipping Options: 1.) Attached to the pump, or 2.) Detached from the pump on a separate pallet.			Pump and VFD <u>ONLY</u> DOES NOT INCLUDE: Mounting brackets, wire harness, or vibration mounts. VFD shipped detached from the pump on a separate pallet. Customer to wall-mount VFD.			
SKS Model	HP	Base Drive	Mechanical Disconnect	Fused Disconnect	Base Drive Unmounted	Mechanical Disconnect Unmounted	Fused Disconnect Unmounted	
2011	10	20,322.00	23,412.00	23,752.00	19,192.00	22,282.00	22,622.00	
2510		20,932.00	24,012.00	24,352.00	19,802.00	22,882.00	23,222.00	
3011		20,742.00	23,832.00	24,172.00	19,612.00	22,702.00	23,042.00	
3013		22,042.00	25,132.00	25,472.00	20,912.00	24,002.00	24,342.00	
4009		20,562.00	23,652.00	23,992.00	19,432.00	22,522.00	22,862.00	
4011		22,292.00	25,382.00	25,722.00	21,162.00	24,252.00	24,592.00	
4013		23,152.00	26,232.00	26,572.00	22,022.00	25,102.00	25,442.00	
5075		21,592.00	24,672.00	25,012.00	20,462.00	23,542.00	23,882.00	
6009		21,752.00	24,842.00	25,182.00	20,622.00	23,712.00	24,052.00	
2510		15	26,459.00	28,879.00	29,229.00	25,329.00	27,749.00	28,099.00
3011	26,109.00		28,529.00	28,889.00	24,979.00	27,399.00	27,759.00	
3013	27,089.00		29,509.00	29,859.00	25,959.00	28,379.00	28,739.00	
4011	26,869.00		29,289.00	29,649.00	25,739.00	28,159.00	28,519.00	
4013	28,879.00		31,299.00	31,659.00	27,759.00	30,179.00	30,529.00	
5095	27,639.00		30,059.00	30,419.00	26,519.00	28,939.00	29,289.00	
6009	27,189.00		29,609.00	29,969.00	26,059.00	28,479.00	28,839.00	
6011	28,539.00		30,949.00	31,309.00	27,409.00	29,829.00	30,179.00	
3013	20		30,979.00	33,579.00	33,969.00	29,289.00	31,889.00	32,279.00
4011			30,769.00	33,359.00	33,759.00	29,079.00	31,669.00	32,059.00
4013		31,889.00	34,489.00	34,879.00	30,199.00	32,799.00	33,189.00	
5095		31,539.00	34,129.00	34,529.00	29,849.00	32,439.00	32,839.00	
6011		32,449.00	35,039.00	35,439.00	30,759.00	33,349.00	33,749.00	
6013		33,719.00	36,309.00	36,709.00	32,029.00	34,619.00	35,009.00	
8011		35,039.00	37,639.00	38,029.00	33,349.00	35,939.00	36,339.00	
4013		25	39,361.00	41,321.00	41,731.00	37,011.00	38,971.00	39,381.00
5095			38,861.00	40,821.00	41,231.00	36,511.00	38,471.00	38,881.00
6011			39,491.00	41,461.00	41,871.00	37,141.00	39,111.00	39,521.00
6013	40,501.00		42,461.00	42,871.00	38,151.00	40,111.00	40,521.00	
8011	42,311.00		44,281.00	44,691.00	39,971.00	41,931.00	42,341.00	
4013	30	43,381.00	45,071.00	45,481.00	40,961.00	42,651.00	43,071.00	
6011		43,511.00	45,201.00	45,611.00	41,101.00	42,791.00	43,201.00	
6013		44,521.00	46,211.00	46,621.00	42,111.00	43,801.00	44,211.00	
8011		46,371.00	48,061.00	48,481.00	43,961.00	45,651.00	46,061.00	
1013	40	59,287.00	60,967.00	61,377.00	56,407.00	58,087.00	58,507.00	
6013		52,317.00	53,997.00	54,417.00	49,447.00	51,127.00	51,537.00	
8011		53,997.00	55,677.00	56,097.00	51,127.00	52,807.00	53,227.00	
8013		54,647.00	56,327.00	56,747.00	51,767.00	53,447.00	53,867.00	
1013	50	66,417.00	66,427.00	68,207.00	62,957.00	62,967.00	64,737.00	
6013		59,277.00	59,287.00	61,067.00	55,817.00	55,827.00	57,597.00	
8011		61,007.00	61,027.00	62,797.00	57,547.00	57,557.00	59,337.00	
8013		61,777.00	61,787.00	63,567.00	58,317.00	58,327.00	60,107.00	
1013	60	82,246.00	83,596.00	84,216.00	78,056.00	79,406.00	80,026.00	
6013		75,626.00	76,976.00	77,596.00	71,426.00	72,776.00	73,396.00	
8013		77,946.00	79,306.00	79,916.00	73,756.00	75,106.00	75,726.00	

1800rpm 380v-460v/3							
		Pump and VFD including mounting brackets, wire harness, and vibration mounts. VFD Shipping Options: 1.) Attached to the pump, or 2.) Detached from the pump on a separate pallet.			Pump and VFD <u>ONLY</u> DOES NOT INCLUDE: Mounting brackets, wire harness, or vibration mounts. VFD shipped detached from the pump on a separate pallet. Customer to wall-mount VFD.		
SKS Model	HP	Base Drive	Mechanical Disconnect	Fused Disconnect	Base Drive Unmounted	Mechanical Disconnect Unmounted	Fused Disconnect Unmounted
1013	75	n/a	n/a	n/a	87,000.00	88,510.00	89,200.00
1213		n/a	n/a	n/a	101,180.00	102,690.00	103,390.00
8013		n/a	n/a	n/a	83,340.00	84,860.00	85,550.00
8016		n/a	n/a	n/a	88,550.00	90,070.00	90,770.00
1013	100	n/a	n/a	n/a	101,100.00	106,200.00	107,040.00
1213		n/a	n/a	n/a	114,590.00	119,690.00	120,540.00
8016		n/a	n/a	n/a	103,070.00	108,170.00	109,010.00
1016	125	n/a	n/a	n/a	128,020.00	139,440.00	140,450.00
1213		n/a	n/a	n/a	134,090.00	145,510.00	146,520.00
8016		n/a	n/a	n/a	127,780.00	139,200.00	140,220.00

\*\* Price includes isolated bearing

1800rpm 575v-600v/3							
		Pump and VFD including mounting brackets, wire harness, and vibration mounts. VFD Shipping Options: 1.) Attached to the pump, or 2.) Detached from the pump on a separate pallet.			Pump and VFD <u>ONLY</u> DOES NOT INCLUDE: Mounting brackets, wire harness, or vibration mounts. VFD shipped detached from the pump on a separate pallet. Customer to wall-mount VFD.		
SKS Model	HP	Base Drive	Mechanical Disconnect	Fused Disconnect	Base Drive Unmounted	Mechanical Disconnect Unmounted	Fused Disconnect Unmounted
1506	1.5	15,079.00	18,469.00	18,859.00	14,079.00	17,469.00	17,869.00
1507		15,409.00	18,799.00	19,189.00	14,409.00	17,799.00	18,199.00
2006		15,239.00	18,629.00	19,019.00	14,239.00	17,629.00	18,029.00
2007		15,609.00	18,999.00	19,399.00	14,609.00	18,009.00	18,399.00
3006		15,399.00	18,789.00	19,179.00	14,399.00	17,789.00	18,189.00
1507	2.0	15,759.00	19,099.00	19,319.00	14,759.00	18,109.00	18,319.00
1509		16,329.00	19,679.00	19,889.00	15,339.00	18,679.00	18,899.00
2007		15,909.00	19,259.00	19,469.00	14,909.00	18,259.00	18,469.00
3007		16,289.00	19,639.00	19,849.00	15,289.00	18,639.00	18,849.00
1509	3.0	17,088.00	20,548.00	20,948.00	15,978.00	19,438.00	19,848.00
2007		16,798.00	20,258.00	20,658.00	15,688.00	19,148.00	19,548.00
2009		17,108.00	20,568.00	20,968.00	15,998.00	19,458.00	19,858.00
3007		17,188.00	20,648.00	21,048.00	16,078.00	19,538.00	19,938.00
3009		16,568.00	20,028.00	20,428.00	15,458.00	18,918.00	19,318.00
4007		17,708.00	21,168.00	21,568.00	16,598.00	20,058.00	20,468.00
1509	5.0	17,858.00	21,358.00	21,778.00	16,758.00	20,248.00	20,678.00
2009		17,878.00	21,378.00	21,798.00	16,768.00	20,268.00	20,688.00
2011		19,128.00	22,628.00	23,048.00	18,018.00	21,518.00	21,938.00
2508		18,138.00	21,638.00	22,058.00	17,028.00	20,528.00	20,948.00
3007		17,958.00	21,458.00	21,878.00	16,858.00	20,348.00	20,778.00
3009		18,078.00	21,578.00	21,998.00	16,968.00	20,468.00	20,888.00
4007		18,478.00	21,978.00	22,398.00	17,378.00	20,868.00	21,298.00
4009		19,568.00	23,068.00	23,488.00	18,468.00	21,958.00	22,388.00
4075		19,528.00	23,018.00	23,448.00	18,418.00	21,918.00	22,338.00
5007		19,338.00	22,838.00	23,258.00	18,228.00	21,728.00	22,148.00
5075		19,818.00	23,308.00	23,738.00	18,708.00	22,208.00	22,628.00
2011		7.5	20,072.00	23,502.00	23,912.00	18,972.00	22,402.00
2508	19,652.00		23,082.00	23,482.00	18,542.00	21,972.00	22,372.00
2510	20,942.00		24,372.00	24,772.00	19,832.00	23,262.00	23,672.00
3011	20,452.00		23,892.00	24,292.00	19,352.00	22,782.00	23,182.00
4007	19,992.00		23,422.00	23,822.00	18,882.00	22,312.00	22,722.00
4009	20,362.00		23,792.00	24,192.00	19,252.00	22,682.00	23,082.00
4011	22,032.00		25,462.00	25,862.00	20,922.00	24,352.00	24,762.00
4075	21,032.00		24,462.00	24,862.00	19,932.00	23,362.00	23,762.00
5007	20,842.00		24,282.00	24,682.00	19,742.00	23,172.00	23,572.00
5075	21,322.00		24,752.00	25,162.00	20,222.00	23,652.00	24,052.00
6009	21,502.00		24,932.00	25,332.00	20,392.00	23,822.00	24,222.00

1800rpm 575v-600v/3							
		Pump and VFD including mounting brackets, wire harness, and vibration mounts. VFD Shipping Options: 1.) Attached to the pump, or 2.) Detached from the pump on a separate pallet.			Pump and VFD <u>ONLY</u> DOES NOT INCLUDE: Mounting brackets, wire harness, or vibration mounts. VFD shipped detached from the pump on a separate pallet. Customer to wall-mount VFD.		
SKS Model	HP	Base Drive	Mechanical Disconnect	Fused Disconnect	Base Drive Unmounted	Mechanical Disconnect Unmounted	Fused Disconnect Unmounted
2011	10	21,242.00	24,622.00	25,012.00	20,142.00	23,522.00	23,912.00
2510		21,852.00	25,232.00	25,622.00	20,742.00	24,122.00	24,512.00
3011		21,662.00	25,042.00	25,432.00	20,562.00	23,942.00	24,332.00
3013		22,962.00	26,342.00	26,732.00	21,862.00	25,242.00	25,632.00
4009		21,492.00	24,872.00	25,262.00	20,382.00	23,762.00	24,152.00
4011		23,212.00	26,592.00	26,982.00	22,112.00	25,492.00	25,882.00
4013		24,072.00	27,452.00	27,842.00	22,962.00	26,342.00	26,732.00
5075		22,512.00	25,892.00	26,282.00	21,402.00	24,782.00	25,172.00
6009		22,682.00	26,062.00	26,452.00	21,572.00	24,952.00	25,342.00
2510		15	27,209.00	29,939.00	30,339.00	26,099.00	28,829.00
3011	26,869.00		29,599.00	29,989.00	25,749.00	28,479.00	28,869.00
3013	27,839.00		30,569.00	30,969.00	26,729.00	29,459.00	29,849.00
4011	27,629.00		30,359.00	30,749.00	26,509.00	29,239.00	29,639.00
4013	29,639.00		32,369.00	32,759.00	28,519.00	31,249.00	31,649.00
5095	28,399.00		31,129.00	31,519.00	27,279.00	30,009.00	30,409.00
6009	27,949.00		30,679.00	31,069.00	26,829.00	29,559.00	29,959.00
6011	29,289.00		32,019.00	32,409.00	28,179.00	30,909.00	31,299.00
3013	30,059.00		32,999.00	33,429.00	29,159.00	32,089.00	32,519.00
4011	29,849.00		32,779.00	33,209.00	28,939.00	31,879.00	32,309.00
4013	30,969.00	33,909.00	34,339.00	30,069.00	32,999.00	33,429.00	
5095	30,619.00	33,549.00	33,979.00	29,719.00	32,649.00	33,079.00	
6011	31,529.00	34,459.00	34,889.00	30,619.00	33,559.00	33,989.00	
6013	32,799.00	35,729.00	36,159.00	31,889.00	34,829.00	35,259.00	
8011	34,119.00	37,049.00	37,489.00	33,219.00	36,149.00	36,579.00	
4013	25	39,951.00	42,261.00	42,731.00	38,261.00	40,571.00	41,041.00
5095		39,441.00	41,761.00	42,231.00	37,751.00	40,071.00	40,541.00
6011		40,081.00	42,401.00	42,871.00	38,391.00	40,711.00	41,181.00
6013		41,091.00	43,401.00	43,871.00	39,401.00	41,711.00	42,181.00
8011		42,901.00	45,221.00	45,691.00	41,211.00	43,531.00	44,001.00
4013	30	44,201.00	46,241.00	46,711.00	42,451.00	44,481.00	44,961.00
6011		44,331.00	46,371.00	46,851.00	42,581.00	44,611.00	45,091.00
6013		45,341.00	47,381.00	47,861.00	43,591.00	45,621.00	46,101.00
8011		47,191.00	49,231.00	49,711.00	45,441.00	47,481.00	47,951.00
1013	40	60,657.00	62,687.00	63,117.00	58,197.00	60,237.00	60,657.00
6013		53,687.00	55,727.00	56,147.00	51,237.00	53,267.00	53,697.00
8011		55,377.00	57,407.00	57,827.00	52,917.00	54,947.00	55,377.00
8013		56,017.00	58,047.00	58,477.00	53,557.00	55,597.00	56,017.00
1013	50	67,717.00	69,757.00	70,327.00	64,897.00	66,937.00	67,507.00
6013		60,567.00	62,617.00	63,177.00	57,757.00	59,797.00	60,367.00
8011		62,307.00	64,347.00	64,917.00	59,487.00	61,527.00	62,097.00
8013		63,077.00	65,117.00	65,687.00	60,257.00	62,297.00	62,867.00
1013	60	83,976.00	85,436.00	86,116.00	81,126.00	82,586.00	83,266.00
6013		77,346.00	78,816.00	79,486.00	74,496.00	75,966.00	76,636.00
8013		79,676.00	81,136.00	81,816.00	76,826.00	78,296.00	78,966.00

1800rpm 575v-600v/3							
		Pump and VFD including mounting brackets, wire harness, and vibration mounts. VFD Shipping Options: 1.) Attached to the pump, or 2.) Detached from the pump on a separate pallet.			Pump and VFD <u>ONLY</u> DOES NOT INCLUDE: Mounting brackets, wire harness, or vibration mounts. VFD shipped detached from the pump on a separate pallet. Customer to wall-mount VFD.		
SKS Model	HP	Base Drive	Mechanical Disconnect	Fused Disconnect	Base Drive Unmounted	Mechanical Disconnect Unmounted	Fused Disconnect Unmounted
1013	75	n/a	n/a	n/a	91,620.00	93,380.00	94,100.00
1213		n/a	n/a	n/a	105,800.00	107,560.00	108,280.00
8013		n/a	n/a	n/a	87,960.00	89,720.00	90,450.00
8016		n/a	n/a	n/a	93,170.00	94,930.00	95,660.00
1013	100	n/a	n/a	n/a	106,310.00	111,200.00	112,080.00
8016		n/a	n/a	n/a	108,280.00	113,170.00	114,050.00
1213		n/a	n/a	n/a	119,800.00	124,690.00	125,570.00
1016	125	n/a	n/a	n/a	134,760.00	144,610.00	145,690.00
8016		n/a	n/a	n/a	134,520.00	144,370.00	145,450.00
1213		n/a	n/a	n/a	140,830.00	150,670.00	151,750.00

\*\* Price includes isolated bearing



3600rpm 208v-230v/3							
		Pump and VFD including mounting brackets, wire harness, and vibration mounts. VFD Shipping Options: 1.) Attached to the pump, or 2.) Detached from the pump on a separate pallet.			Pump and VFD <u>ONLY</u> DOES NOT INCLUDE: Mounting brackets, wire harness, or vibration mounts. VFD shipped detached from the pump on a separate pallet. Customer to wall-mount VFD.		
SKS Model	HP	Base Drive	Mechanical Disconnect	Fused Disconnect	Base Drive Unmounted	Mechanical Disconnect Unmounted	Fused Disconnect Unmounted
1506	3.0	15,448.00	19,078.00	19,458.00	14,338.00	17,968.00	18,348.00
2006		15,618.00	19,238.00	19,628.00	14,508.00	18,128.00	18,518.00
1506	5.0	16,828.00	20,608.00	21,008.00	15,698.00	19,478.00	19,878.00
1507		17,338.00	21,128.00	21,528.00	16,208.00	19,998.00	20,398.00
2006		17,098.00	20,878.00	21,278.00	15,968.00	19,748.00	20,148.00
3006		17,268.00	21,058.00	21,448.00	16,138.00	19,918.00	20,318.00
1506	7.5	18,942.00	22,322.00	22,662.00	17,732.00	21,112.00	21,452.00
1507		19,462.00	22,832.00	23,172.00	18,252.00	21,622.00	21,962.00
2006		19,212.00	22,582.00	22,922.00	18,002.00	21,382.00	22,582.00
3006		19,382.00	22,762.00	23,102.00	18,172.00	21,552.00	21,892.00
1507	10	21,352.00	24,982.00	25,342.00	19,582.00	23,212.00	23,572.00
2006		21,452.00	25,082.00	25,432.00	19,682.00	23,312.00	23,662.00
2007		21,612.00	25,242.00	25,602.00	19,842.00	23,472.00	23,832.00
3006		21,282.00	24,912.00	25,262.00	19,512.00	23,142.00	23,492.00
1507	15	27,929.00	32,029.00	32,399.00	25,569.00	29,679.00	30,039.00
1509		28,439.00	32,549.00	32,919.00	26,089.00	30,189.00	30,559.00
2007		28,189.00	32,289.00	32,659.00	25,829.00	29,939.00	30,309.00
2009		28,759.00	32,869.00	33,239.00	26,409.00	30,509.00	30,879.00
3006		28,199.00	32,299.00	32,669.00	25,839.00	29,949.00	30,319.00
3007		28,789.00	32,899.00	33,259.00	26,439.00	30,539.00	30,909.00
3009		29,139.00	33,239.00	33,609.00	26,779.00	30,879.00	31,249.00
1509	20	31,879.00	36,299.00	36,679.00	29,079.00	33,499.00	33,879.00
2007		32,119.00	33,909.00	36,919.00	29,319.00	31,099.00	34,119.00
2009		33,369.00	35,159.00	38,169.00	30,569.00	32,349.00	35,369.00
3007		32,189.00	33,969.00	36,989.00	29,389.00	31,169.00	34,189.00
3009		32,379.00	34,169.00	37,179.00	29,579.00	31,359.00	34,379.00
4007		32,789.00	34,579.00	37,589.00	29,989.00	31,769.00	34,789.00
1509	25	39,851.00	45,101.00	45,541.00	36,271.00	41,531.00	41,971.00
2007		40,081.00	45,341.00	45,781.00	36,511.00	41,761.00	42,201.00
2009		40,991.00	46,241.00	46,681.00	37,411.00	42,671.00	43,111.00
3007		39,801.00	45,061.00	45,501.00	36,231.00	41,481.00	41,921.00
3009		40,001.00	45,251.00	45,691.00	36,421.00	41,681.00	42,121.00
4007		40,411.00	45,671.00	46,111.00	36,841.00	42,091.00	42,531.00
5007		39,861.00	45,121.00	45,551.00	36,281.00	41,541.00	41,981.00
1509		30	44,381.00	49,861.00	50,391.00	40,811.00	46,291.00
2009	45,491.00		50,971.00	51,501.00	41,921.00	47,401.00	47,931.00
2508	45,321.00		50,801.00	51,331.00	41,751.00	47,231.00	47,761.00
3007	44,291.00		49,781.00	50,301.00	40,721.00	46,211.00	46,731.00
3009	44,521.00		50,011.00	50,531.00	40,951.00	46,441.00	46,961.00
4007	44,891.00		50,381.00	50,901.00	41,321.00	46,811.00	47,331.00
4009	45,281.00		50,761.00	51,281.00	41,711.00	47,191.00	47,711.00
5007	46,161.00		51,641.00	52,171.00	42,591.00	48,071.00	48,601.00

3600rpm 208v-230v/3							
		Pump and VFD including mounting brackets, wire harness, and vibration mounts. VFD Shipping Options: 1.) Attached to the pump, or 2.) Detached from the pump on a separate pallet.			Pump and VFD <u>ONLY</u> DOES NOT INCLUDE: Mounting brackets, wire harness, or vibration mounts. VFD shipped detached from the pump on a separate pallet. Customer to wall-mount VFD.		
SKS Model	HP	Base Drive	Mechanical Disconnect	Fused Disconnect	Base Drive Unmounted	Mechanical Disconnect Unmounted	Fused Disconnect Unmounted
1509	40	53,537.00	63,697.00	64,417.00	49,117.00	59,277.00	59,987.00
2009		54,647.00	64,807.00	65,517.00	50,227.00	60,387.00	61,097.00
2508		54,477.00	64,637.00	65,347.00	50,057.00	60,217.00	60,927.00
3007		53,457.00	63,607.00	64,327.00	49,027.00	59,187.00	59,897.00
3009		54,187.00	64,347.00	65,057.00	49,757.00	59,917.00	60,637.00
4007		54,117.00	64,277.00	64,987.00	49,697.00	59,857.00	60,567.00
4009		54,437.00	64,597.00	65,307.00	50,007.00	60,167.00	60,887.00
4075		54,637.00	64,797.00	65,507.00	50,217.00	60,377.00	61,087.00
5007		55,497.00	65,657.00	66,367.00	51,077.00	61,227.00	61,947.00
5075		54,887.00	65,047.00	65,757.00	50,457.00	60,617.00	61,337.00
2508		50	60,507.00	76,067.00	76,747.00	55,197.00	70,757.00
4007	60,157.00		75,717.00	76,397.00	54,847.00	70,407.00	71,087.00
4009	60,847.00		76,407.00	77,087.00	55,537.00	71,097.00	71,777.00
5007	61,687.00		77,247.00	77,927.00	56,377.00	71,937.00	72,617.00
5075	61,247.00		76,807.00	77,487.00	55,937.00	71,497.00	72,177.00
2508	60	76,336.00	97,306.00	98,026.00	70,696.00	91,676.00	92,386.00
3009		76,096.00	97,076.00	97,786.00	70,466.00	91,446.00	92,156.00
4009		76,676.00	97,646.00	98,366.00	71,036.00	92,016.00	92,726.00
5075		77,076.00	98,046.00	98,766.00	71,436.00	92,416.00	93,136.00

3600rpm 380v-460v/3							
		Pump and VFD including mounting brackets, wire harness, and vibration mounts. VFD Shipping Options: 1.) Attached to the pump, or 2.) Detached from the pump on a separate pallet.			Pump and VFD <u>ONLY</u> DOES NOT INCLUDE: Mounting brackets, wire harness, or vibration mounts. VFD shipped detached from the pump on a separate pallet. Customer to wall-mount VFD.		
SKS Model	HP	Base Drive	Mechanical Disconnect	Fused Disconnect	Base Drive Unmounted	Mechanical Disconnect Unmounted	Fused Disconnect Unmounted
1506	3.0	15,478.00	18,638.00	18,988.00	14,378.00	17,528.00	17,888.00
2006		15,648.00	18,798.00	19,158.00	14,538.00	17,698.00	18,048.00
1506	5.0	16,668.00	19,858.00	20,218.00	15,558.00	18,748.00	19,118.00
1507		17,188.00	20,378.00	20,738.00	16,078.00	19,268.00	19,628.00
2006		16,938.00	20,128.00	20,488.00	15,828.00	19,018.00	19,378.00
3006		17,108.00	20,298.00	20,658.00	15,998.00	19,188.00	19,558.00
1506	7.5	18,052.00	21,182.00	21,532.00	16,942.00	20,072.00	20,422.00
1507		18,572.00	21,692.00	22,042.00	17,462.00	20,592.00	20,942.00
2006		18,322.00	21,452.00	21,792.00	17,212.00	20,342.00	20,692.00
3006		18,492.00	21,622.00	21,972.00	17,382.00	20,512.00	20,862.00
1507	10	19,652.00	22,732.00	23,072.00	18,522.00	21,602.00	21,942.00
2006		19,742.00	22,832.00	23,172.00	18,612.00	21,702.00	22,042.00
2007		19,912.00	22,992.00	23,342.00	18,782.00	21,862.00	22,202.00
3006		19,572.00	22,662.00	23,002.00	18,442.00	21,532.00	21,872.00
1507	15	25,939.00	28,359.00	28,709.00	24,809.00	27,229.00	27,579.00
1509		26,449.00	28,869.00	29,229.00	25,329.00	27,739.00	28,099.00
2007		26,199.00	28,619.00	28,969.00	25,069.00	27,489.00	27,849.00
2009		26,769.00	29,189.00	29,549.00	25,649.00	28,059.00	28,419.00
3006		26,209.00	28,629.00	28,979.00	25,079.00	27,499.00	27,859.00
3007		26,799.00	29,219.00	29,579.00	25,669.00	28,089.00	28,449.00
3009		27,139.00	29,559.00	29,919.00	26,019.00	28,439.00	28,789.00
1509	20	29,239.00	31,829.00	32,219.00	27,549.00	30,139.00	30,529.00
2007		29,469.00	32,069.00	32,459.00	27,779.00	30,379.00	30,769.00
2009		30,729.00	33,319.00	33,709.00	29,039.00	31,629.00	32,019.00
3007		29,539.00	32,139.00	32,529.00	27,849.00	30,439.00	30,839.00
3009		29,729.00	32,329.00	32,719.00	28,039.00	30,639.00	31,029.00
4007		30,139.00	32,739.00	33,129.00	28,449.00	31,049.00	31,439.00
1509	25	36,861.00	38,821.00	39,231.00	34,511.00	36,471.00	36,881.00
2007		37,101.00	39,061.00	39,471.00	34,751.00	36,711.00	37,121.00
2009		38,001.00	39,961.00	40,371.00	35,651.00	37,611.00	38,021.00
3007		36,821.00	38,781.00	39,191.00	34,471.00	36,431.00	36,841.00
3009		37,011.00	38,971.00	39,381.00	34,661.00	36,621.00	37,031.00
4007		37,421.00	39,381.00	39,791.00	35,071.00	37,031.00	37,451.00
5007		36,871.00	38,831.00	39,241.00	34,521.00	36,481.00	36,891.00
1509	30	40,891.00	42,581.00	43,001.00	38,481.00	40,171.00	40,581.00
2009		42,001.00	43,691.00	44,111.00	39,591.00	41,281.00	41,691.00
2508		41,831.00	43,521.00	43,931.00	39,421.00	41,111.00	41,521.00
3007		40,811.00	42,491.00	42,911.00	38,391.00	40,081.00	40,491.00
3009		41,041.00	42,721.00	43,141.00	38,621.00	40,311.00	40,731.00
4007		41,411.00	43,091.00	43,511.00	38,991.00	40,681.00	41,101.00
4009		41,791.00	43,481.00	43,891.00	39,371.00	41,061.00	41,481.00
5007		42,671.00	44,361.00	44,781.00	40,261.00	41,951.00	42,361.00

3600rpm 380v-460v/3							
		Pump and VFD including mounting brackets, wire harness, and vibration mounts. VFD Shipping Options: 1.) Attached to the pump, or 2.) Detached from the pump on a separate pallet.			Pump and VFD <u>ONLY</u> DOES NOT INCLUDE: Mounting brackets, wire harness, or vibration mounts. VFD shipped detached from the pump on a separate pallet. Customer to wall-mount VFD.		
SKS Model	HP	Base Drive	Mechanical Disconnect	Fused Disconnect	Base Drive Unmounted	Mechanical Disconnect Unmounted	Fused Disconnect Unmounted
1509	40	48,037.00	49,717.00	50,127.00	45,157.00	46,837.00	47,257.00
2009		49,137.00	50,817.00	51,237.00	46,267.00	47,947.00	48,357.00
2508		48,967.00	50,647.00	51,067.00	46,097.00	47,777.00	48,187.00
3007		47,947.00	49,627.00	50,047.00	45,067.00	46,747.00	47,167.00
3009		48,677.00	50,357.00	50,777.00	45,797.00	47,477.00	47,897.00
4007		48,607.00	50,287.00	50,707.00	45,737.00	47,417.00	47,827.00
4009		48,927.00	50,607.00	51,027.00	46,047.00	47,727.00	48,147.00
4075		49,127.00	50,807.00	51,227.00	46,257.00	47,937.00	48,347.00
5007		49,987.00	51,667.00	52,087.00	47,107.00	48,787.00	49,207.00
5075		49,377.00	51,057.00	51,477.00	46,497.00	48,177.00	48,597.00
2508		50	56,047.00	56,057.00	57,837.00	52,587.00	52,597.00
4007	55,697.00		55,707.00	57,487.00	52,237.00	52,247.00	54,027.00
4009	56,387.00		56,397.00	58,177.00	52,927.00	52,937.00	54,707.00
5007	57,227.00		57,237.00	59,017.00	53,767.00	53,777.00	55,557.00
5075	56,787.00		56,797.00	58,577.00	53,327.00	53,337.00	55,117.00
2508	60	70,666.00	72,016.00	72,636.00	66,466.00	67,816.00	68,436.00
3009		70,426.00	71,776.00	72,396.00	66,236.00	67,586.00	68,206.00
4009		71,006.00	72,356.00	72,976.00	66,806.00	68,156.00	68,776.00
5075		71,406.00	72,756.00	73,376.00	67,206.00	68,566.00	69,176.00



3600rpm 575v-600v/3							
		Pump and VFD including mounting brackets, wire harness, and vibration mounts. VFD Shipping Options: 1.) Attached to the pump, or 2.) Detached from the pump on a separate pallet.			Pump and VFD <u>ONLY</u> DOES NOT INCLUDE: Mounting brackets, wire harness, or vibration mounts. VFD shipped detached from the pump on a separate pallet. Customer to wall-mount VFD.		
SKS Model	HP	Base Drive	Mechanical Disconnect	Fused Disconnect	Base Drive Unmounted	Mechanical Disconnect Unmounted	Fused Disconnect Unmounted
1506	3.0	15,858.00	19,318.00	19,728.00	14,758.00	18,218.00	18,618.00
2006		16,028.00	19,488.00	19,888.00	14,918.00	18,378.00	18,778.00
1506	5.0	17,108.00	20,608.00	21,028.00	16,008.00	19,498.00	19,928.00
1507		17,628.00	21,128.00	21,548.00	16,528.00	20,018.00	20,448.00
2006		17,378.00	20,878.00	21,298.00	16,278.00	19,768.00	20,198.00
3006		17,548.00	21,048.00	21,468.00	16,448.00	19,948.00	20,368.00
1506	7.5	18,552.00	21,982.00	22,382.00	17,442.00	20,872.00	21,272.00
1507		19,062.00	22,492.00	22,902.00	17,962.00	21,392.00	21,792.00
2006		18,822.00	22,252.00	22,652.00	17,712.00	21,142.00	21,542.00
3006		18,992.00	22,422.00	22,822.00	17,882.00	21,312.00	21,712.00
1507	10	20,212.00	23,592.00	23,982.00	19,112.00	22,492.00	22,882.00
2006		20,312.00	23,692.00	24,082.00	19,202.00	22,582.00	22,972.00
2007		20,472.00	23,852.00	24,242.00	19,372.00	22,752.00	23,142.00
3006		20,142.00	23,522.00	23,912.00	19,032.00	22,412.00	22,802.00
1507	15	26,689.00	29,419.00	29,819.00	25,579.00	28,309.00	28,699.00
1509		27,209.00	29,939.00	30,329.00	26,089.00	28,819.00	29,219.00
2007		26,949.00	29,679.00	30,079.00	25,839.00	28,569.00	28,959.00
2009		27,529.00	30,259.00	30,649.00	26,409.00	29,139.00	29,539.00
3006		26,959.00	29,689.00	30,089.00	25,849.00	28,579.00	28,969.00
3007		27,559.00	30,289.00	30,679.00	26,439.00	29,169.00	29,569.00
3009		27,899.00	30,629.00	31,019.00	26,779.00	29,509.00	29,909.00
1509	20	29,419.00	32,349.00	32,779.00	28,509.00	31,439.00	31,879.00
2007		29,659.00	32,589.00	33,019.00	28,749.00	31,679.00	32,109.00
2009		30,909.00	33,839.00	34,269.00	29,999.00	32,929.00	33,369.00
3007		29,719.00	32,659.00	33,089.00	28,819.00	31,749.00	32,179.00
3009		29,919.00	32,849.00	33,279.00	29,009.00	31,939.00	32,369.00
4007		30,329.00	33,259.00	33,689.00	29,419.00	32,349.00	32,779.00
1509	25	37,451.00	39,761.00	40,231.00	35,761.00	38,071.00	38,541.00
2007		37,691.00	40,001.00	40,471.00	35,991.00	38,311.00	38,781.00
2009		38,591.00	40,901.00	41,371.00	36,901.00	39,211.00	39,681.00
3007		37,401.00	39,721.00	40,191.00	35,711.00	38,031.00	38,501.00
3009		37,601.00	39,911.00	40,381.00	35,911.00	38,221.00	38,691.00
4007		38,011.00	40,331.00	40,791.00	36,321.00	38,641.00	39,101.00
5007		37,461.00	39,771.00	40,241.00	35,771.00	38,081.00	38,551.00
1509		30	41,721.00	43,751.00	44,231.00	39,961.00	42,001.00
2009	42,821.00		44,861.00	45,341.00	41,071.00	43,111.00	43,581.00
2508	42,651.00		44,691.00	45,171.00	40,901.00	42,941.00	43,411.00
3007	41,631.00		43,661.00	44,141.00	39,871.00	41,911.00	42,391.00
3009	41,861.00		43,891.00	44,371.00	40,101.00	42,141.00	42,621.00
4007	42,231.00		44,261.00	44,741.00	40,471.00	42,511.00	42,991.00
4009	42,611.00		44,651.00	45,121.00	40,861.00	42,891.00	43,371.00
5007	43,491.00		45,531.00	46,011.00	41,741.00	43,781.00	44,251.00



3600rpm 575v-600v/3							
		Pump and VFD including mounting brackets, wire harness, and vibration mounts. VFD Shipping Options: 1.) Attached to the pump, or 2.) Detached from the pump on a separate pallet.			Pump and VFD <u>ONLY</u> DOES NOT INCLUDE: Mounting brackets, wire harness, or vibration mounts. VFD shipped detached from the pump on a separate pallet. Customer to wall-mount VFD.		
SKS Model	HP	Base Drive	Mechanical Disconnect	Fused Disconnect	Base Drive Unmounted	Mechanical Disconnect Unmounted	Fused Disconnect Unmounted
1509	40	49,407.00	51,437.00	51,867.00	46,947.00	48,987.00	49,407.00
2009		50,507.00	52,547.00	52,967.00	48,057.00	50,087.00	50,517.00
2508		50,337.00	52,377.00	52,797.00	47,887.00	49,917.00	50,347.00
3007		49,317.00	51,347.00	51,777.00	46,857.00	48,897.00	49,317.00
3009		50,047.00	52,087.00	52,507.00	47,587.00	49,627.00	50,047.00
4007		49,977.00	52,017.00	52,437.00	47,527.00	49,557.00	49,987.00
4009		50,297.00	52,337.00	52,757.00	47,837.00	49,877.00	50,297.00
4075		50,497.00	52,537.00	52,957.00	48,047.00	50,077.00	50,507.00
5007		51,357.00	53,397.00	53,817.00	48,907.00	50,937.00	51,367.00
5075		50,747.00	52,787.00	53,207.00	48,287.00	50,327.00	50,747.00
2508		50	57,347.00	59,387.00	59,957.00	54,527.00	56,567.00
4007	56,997.00		59,037.00	59,607.00	54,177.00	56,217.00	56,787.00
4009	57,687.00		59,727.00	60,297.00	54,867.00	56,907.00	57,477.00
5007	58,527.00		60,567.00	61,137.00	55,707.00	57,747.00	58,317.00
5075	58,087.00		60,127.00	60,697.00	55,267.00	57,307.00	57,877.00
2508	60	72,386.00	73,856.00	74,536.00	69,536.00	71,006.00	71,686.00
3009		72,156.00	73,616.00	74,296.00	69,306.00	70,766.00	71,446.00
4009		72,726.00	74,196.00	74,876.00	69,876.00	71,346.00	72,026.00
5075		73,126.00	74,596.00	75,276.00	70,276.00	71,746.00	72,426.00

<b>LIST PRICE ADDER FOR SUPPORT STAND</b>			
<b>PUMP MODEL</b>	<b>PART NUMBER</b>	<b>LIST PRICE (\$)</b>	<b>SUPPORT STAND WEIGHT</b>
SKS1013	953-3969	1,286.00	100 LBS
SKS1016	953-3969	1,286.00	100 LBS
SKS1213	953-3996	3,760.00	311 LBS
SKS1217	953-3970	4,020.00	343 LBS
SKS1415	953-3995	3,760.00	311 LBS
SKS1506	953-3907	287.50	10 LBS
SKS1507	953-4062	287.50	10 LBS
SKS1509	953-4062	287.50	10 LBS
SKS2006	953-3986	386.00	19 LBS
SKS2007	953-4063	386.00	19 LBS
SKS2009	953-3986	386.00	19 LBS
SKS2011	953-3985	386.00	19 LBS
SKS2508	953-4064	386.00	19 LBS
SKS2510	953-3967	476.50	26 LBS
SKS3006	953-4066	476.50	26 LBS
SKS3007	953-4063	386.00	19 LBS
SKS3009	953-3983	476.50	26 LBS
SKS3011	953-4065	476.50	26 LBS
SKS3013	953-3973	774.00	47 LBS
SKS4007	953-3966	386.00	19 LBS
SKS4009	953-3974	774.00	47 LBS
SKS4011	953-3976	774.00	47 LBS
SKS4013	953-4067	774.00	47 LBS
SKS4075	953-3967	476.50	26 LBS
SKS5007	953-4068	964.00	66 LBS
SKS5075	953-4068	964.00	66 LBS
SKS5095	953-4068	964.00	66 LBS
SKS6009	953-3968	964.00	66 LBS
SKS6011	953-3988	964.00	66 LBS
SKS6013	953-4069	964.00	66 LBS
SKS8011	953-3991	1,286.00	100 LBS
SKS8013	953-4070	1,286.00	100 LBS
SKS8016	953-3989	1,286.00	100 LBS

<b>LIST PRICE ADDER FOR OUTSIDE MECHANICAL SEALS &amp; CERTIFIED TEST CURVES</b>			
<b>MOTOR FRAME SIZE (CODE)</b>	<b>CERAMIC SEAL</b>	<b>TUNGSTEN SEAL</b>	<b>CERTIFIED TEST CURVES</b>
143-215 (H, J)	1,452.00	2,269.00	2,218.00
254-326 (K, L, M)	1,987.00	2,710.00	2,600.00
364-449 (N, P)	2,590.00	3,550.00	2,860.00

<b>LIST PRICE ADDER FOR OPTIONAL INSIDE SEALS</b>		
<b>MOTOR FRAME SIZE</b>	<b>EPT TUNGSTEN CARBIDE SEAL</b>	<b>EPT/SILICON-CARBIDE/CARBON</b>
143-215	450.50	325.00
254-256	608.00	325.00
284-365	608.00	325.00

<b>OPTIONS</b>		
<b>FLANGE SIZE</b>	<b>250lb. WORKING PRESSURE</b>	<b>***CASING WEAR RINGS (Bronze)</b>
1.5" - 2.5"	827.00	563.00
3" - 5"	1,276.00	654.00
6" - 10"	1,501.00	889.00
12" - 14"	2,946.00	1,431.00

\*\*\*Cast Iron Wear Rings come standard on 8" and above.

<b>Insulated Bearing Adders</b>	
<b>NEMA FRAME</b>	<b>List Adder (\$) (per bearing)</b>
143T-145T	1,078.00
182T-184T	1,424.00
213T-215T	1,917.00
254T-256T	3,150.00
284T-286T	3,960.00
324T-326T	4,410.00
364T-365T	4,570.00
404T-405T	CF
444T-445T	CF
447T-449T	CF

**Do it Once. Do it Right.™**

TACO INC., 1160 Cranston Street, Cranston, RI 02920 Telephone: (401) 942-8000 Fax: (401) 942-2360  
 TACO (Canada), Ltd., 8450 Lawson Road, Milton, Ontario L9T 0J8 Telephone: (905) 564-9422 Fax: (905) 564-9436  
 Visit our website at: [www.taco-hvac.com](http://www.taco-hvac.com)

Printed in USA

Copyright 2006

TACO, Inc.





# Suggested List Prices

303-196

PAGE 1 OF 8

## Taco Starters

New

Effective: November 10, 2014

- Standard Starter (TSS).....
- Advanced Starter (TAS).....
- Reduced Voltage Starter (TRV).....
- Duplex Starter (TDX).....
- Options and Accessories .....

- 2-3
- 4-5
- 6
- 7
- 8

### Designations

All prices are factory list prices in US\$

n/a = Not Available

n/c = Standard, no charge

### Policies

All orders are subject to a minimum billing of 50 NET. For information and Discount Schedule, please contact your Taco Representative or the factory.

Smartstart® is a registered trademark of Franklin Control Systems Inc.



TACO INC., 1160 Cranston Street, Cranston, RI 02920 Telephone: (401) 942-8000 Fax: (401) 942-2360  
TACO (Canada), Ltd., 8450 Lawson Road, Milton, Ontario L9T 0J8 Telephone: (905) 564-9422 Fax: (905) 564-9436  
Visit our website at: www.taco-hvac.com. Printed in USA. Copyright 2007, TACO, Inc.

## TSS – Taco Standard Starter with SmartStart®

The TSS comes standard with underload protection, an enhanced class 10 electronic overload to handle a wide range of applications, and an input that accepts 200-600 Volts - a true plug and play install.

Our standard across-the-line offering is far from the basic traditional starter. With advanced protection features like underload (dry run) detection and SmartStart® technology, you can feel confident that your Taco pump is well protected from harmful operating conditions. The TSS also has a wide range electronic overload, a plug and play 200-600 VAC direct input, and many other features you'd normally find in starters at a higher price point.

1 & 3 phase, 50/60HZ, 200-575 VAC, 1/10-100HP

Enclosure Rating: NEMA 1 or 3R enclosure options



Smartstart® is a registered trademark of Franklin Control Systems Inc.

### 1 & 3-Phase, 50/60 Hz, 200~600 VAC, NEMA 1 Enclosure, Disconnect Not Included

1 Phase	3 Phase				SCIC KAIC @			List Price (\$)
230V	208V	230V	460V	575V	240V	460V	575V	
1	2	2	5	7.5	5	5	5	667.00
3	5	5	10	15	5	5	5	703.00
5	7.5	10	20	25	5	5	5	758.00
10	15	15	40	40	5	5	5	938.00

### 1 & 3-Phase, 50/60 Hz, 200~600 VAC, NEMA 1 Enclosure, Includes Disconnect

1 Phase	3 Phase				SCIC KAIC @			List Price (\$)
230V	208V	230V	460V	575V	240V	460V	575V	
1/10	-	-	3/4	3/4	100	65	25	866.00
1/6	1/2	1/2	1	1.5	100	65	25	866.00
1/3	3/4	3/4	2	3	100	65	25	866.00
1/2	1	1.5	3	3	100	65	25	866.00
1	2	2	5	5	100	65	25	866.00
1.5	2	3	5	7.5	100	65	25	884.00
2	3	3	7.5	10	100	65	25	884.00
3	3	5	10	15	100	30	10	884.00
3	5	7.5	15	20	100	30	10	920.00
3	7.5	7.5	15	20	100	30	10	920.00
5	7.5	10	20	25	100	30	10	920.00
7.5	10	10	30	30	100	30	10	938.00



TACO INC., 1160 Cranston Street, Cranston, RI 02920 Telephone: (401) 942-8000 Fax: (401) 942-2360  
 TACO (Canada), Ltd., 8450 Lawson Road, Milton, Ontario L9T 0J8 Telephone: (905) 564-9422 Fax: (905) 564-9436  
 Visit our website at: [www.taco-hvac.com](http://www.taco-hvac.com). Printed in USA. Copyright 2007, TACO, Inc.

1 & 3-Phase, 50/60 Hz, 200~600 VAC, NEMA 3R Enclosure, Disconnect Not Included								
1 Phase	3 Phase				SCIC KAIC @			List Price (\$)
230V	208V	230V	460V	575V	240V	460V	575V	
1	2	2	5	7.5	5	5	5	812.00
3	5	5	10	15	5	5	5	848.00
5	7.5	10	20	25	5	5	5	884.00
10	15	15	40	40	5	5	5	1,353.00
15	25	30	60	75	10	10	10	1,533.00
25	40	50	100	100	10	10	10	2,710.00

1 & 3-Phase, 50/60 Hz, 200~600 VAC, NEMA 3R Enclosure, Includes Disconnect								
1 Phase	3 Phase				SCIC KAIC @			List Price (\$)
230V	208V	230V	460V	575V	240V	460V	575V	
1/10	-	-	3/4	3/4	100	65	25	1,172.00
1/6	1/2	1/2	1	1.5	100	65	25	1,172.00
1/3	3/4	3/4	2	3	100	65	25	1,172.00
1/2	1	1.5	3	3	100	65	25	1,172.00
1	2	2	5	5	100	65	25	1,172.00
1.5	2	3	5	7.5	100	65	25	1,209.00
2	3	3	7.5	10	100	65	25	1,209.00
3	3	5	10	15	100	30	10	1,209.00
3	5	7.5	15	20	100	30	10	1,299.00
3	7.5	7.5	15	20	100	30	10	1,299.00
5	7.5	10	20	25	100	30	10	1,299.00
7.5	10	10	30	30	100	30	10	1,317.00
7.5	10	10	30	40	100	50	10	1,768.00
10	20	20	40	-	100	50	10	2,309.00
15	20	25	50	-	100	50	10	2,309.00
20	25	30	60	-	100	50	10	2,309.00
25	30	40	75	100	10	10	10	3,900.00
25	40	50	100	-	10	10	-	3,900.00

Smartstart® is a registered trademark of Franklin Control Systems Inc.



TACO INC., 1160 Cranston Street, Cranston, RI 02920 Telephone: (401) 942-8000 Fax: (401) 942-2360  
 TACO (Canada), Ltd., 8450 Lawson Road, Milton, Ontario L9T 0J8 Telephone: (905) 564-9422 Fax: (905) 564-9436  
 Visit our website at: www.taco-hvac.com. Printed in USA. Copyright 2007, TACO, Inc.

## TAS – Taco Advanced Starter with SmartStart®

Power metering, BACnet Communications, underload (dry run) detection and many other features are brought together by an intuitive interface on the Taco Advanced Starter. The TAS is the perfect solution to protect and control your pump when integration to an automation system is necessary.

When you need data from Taco pumps communicated to a building automation system, the Taco Advanced Starter is the perfect solution. The TAS has BACnet or Modbus communications, Power metering, underload (dry run) detection, Smartstart® protection, a 1-95A overload and advanced I/O such as valve control, proof of flow verification and voltage/dry contact inputs. All these features are neatly tied together by an intuitive interface featuring an LCD display.

1 & 3 phase, 50/60HZ, 120-575 VAC, 1/3-100HP

Enclosure Rating: NEMA 1 or 3R enclosure options



1 & 3-Phase, 50/60 Hz, 120~575 VAC, NEMA 1 Enclosure, Includes MCP Disconnect								
1 Phase		3 Phase				SCIC KAIC @		List Price (\$)
120V	230V	208V	230V	460V	575V	240V	460V	
-	1/10	-	-	3/4	3/4	100	65	1,064.00
-	1/6	1/2	1/2	1	1.5	100	65	1,064.00
1/8	1/3	3/4	3/4	2	3	100	65	1,064.00
1/4	1/2	1	1.5	3	5	100	65	1,064.00
1/3	1	2	2	5	5	100	65	1,064.00
1/2	1.5	2	3	5	7.5	100	65	1,100.00
1/2	2	3	3	7.5	10	100	65	1,100.00
1	3	3	5	10	15	100	30	1,100.00
1.5	3	5	7.5	15	20	100	30	1,144.00
2	3	7.5	7.5	15	20	100	30	1,144.00
2	5	7.5	10	20	30	100	30	1,144.00
3	7.5	10	10	30	30	100	50	2,056.00
3	10	15	15	30	40	100	50	2,056.00
5	10	20	20	40	50	100	50	2,471.00
5	15	20	25	50	60	100	50	2,471.00
7.5	20	25	30	60	75	100	50	2,471.00
10	25	40	40	100	100	50	35	4,510.00

Smartstart® is a registered trademark of Franklin Control Systems Inc.



TACO INC., 1160 Cranston Street, Cranston, RI 02920 Telephone: (401) 942-8000 Fax: (401) 942-2360  
 TACO (Canada), Ltd., 8450 Lawson Road, Milton, Ontario L9T 0J8 Telephone: (905) 564-9422 Fax: (905) 564-9436  
 Visit our website at: [www.taco-hvac.com](http://www.taco-hvac.com). Printed in USA. Copyright 2007, TACO, Inc.

1 & 3-Phase, 50/60 Hz, 120~575 VAC, NEMA 1 Enclosure, Disconnect Not Included								
1 Phase		3 Phase				SCIC KAIC @		List Price (\$)
120V	230V	208V	230V	460V	575V	240V	460V	
1/3	1	2	2	5	7.5	5	5	992.00
1	3	5	5	10	15	5	5	1,010.00
2	5	7.5	10	20	25	5	5	1,046.00
3	10	15	15	30	40	5	5	1,219.00
7.5	15	25	30	60	75	10	10	1,677.00
10	25	40	40	100	100	50	35	2,980.00

1 & 3-Phase, 50/60 Hz, 120~575 VAC, NEMA 3R Enclosure, Includes MCP Disconnect								
1 Phase		3 Phase				SCIC KAIC @		List Price (\$)
120V	230V	208V	230V	460V	575V	240V	460V	
-	1/10	-	-	3/4	3/4	100	65	1,634.00
-	1/6	1/2	1/2	1	1.5	100	65	1,634.00
1/8	1/3	3/4	3/4	2	3	100	65	1,634.00
1/4	1/2	1	1.5	3	5	100	65	1,634.00
1/3	1	2	2	5	5	100	65	1,634.00
1/2	1.5	2	3	5	7.5	100	65	1,663.00
1/2	2	3	3	7.5	10	100	65	1,663.00
1	3	3	5	10	15	100	30	1,663.00
1.5	3	5	7.5	15	20	100	30	1,714.00
2	3	7.5	7.5	15	20	100	30	1,714.00
2	5	7.5	10	20	30	100	30	1,714.00
3	7.5	10	10	30	30	100	50	1,894.00
3	10	15	15	30	40	100	50	1,894.00
5	10	20	20	40	50	100	50	2,690.00
5	15	20	25	50	60	100	50	2,690.00
7.5	20	25	30	60	75	100	50	2,690.00
10	25	40	40	100	100	50	35	4,600.00

1 & 3-Phase, 50/60 Hz, 120~575 VAC, NEMA 3R Enclosure, Disconnect Not Included								
1 Phase		3 Phase				SCIC KAIC @		List Price (\$)
120V	230V	208V	230V	460V	575V	240V	460V	
1/3	1	2	2	5	7.5	5	5	1,263.00
1	3	5	5	10	15	5	5	1,299.00
2	5	7.5	10	20	25	5	5	1,335.00
3	10	15	15	30	40	5	5	1,443.00
7.5	15	25	30	60	75	10	10	1,623.00
10	25	40	40	100	100	50	35	3,340.00

Smartstart® is a registered trademark of Franklin Control Systems Inc.



TACO INC., 1160 Cranston Street, Cranston, RI 02920 Telephone: (401) 942-8000 Fax: (401) 942-2360  
 TACO (Canada), Ltd., 8450 Lawson Road, Milton, Ontario L9T 0J8 Telephone: (905) 564-9422 Fax: (905) 564-9436  
 Visit our website at: www.taco-hvac.com. Printed in USA. Copyright 2007, TACO, Inc.

### TAS-RV – Taco Advanced Starter – Reduced Voltage

The TAS-RV is an advanced soft-starter that is loaded with protection and automation features such as underload detection, power metering & MODbus communications. The TAS-RV offers the benefit of reduced voltage starting. Reducing the inrush current increases energy savings and extends the life of your pump motor.

The soft-starting capability of the TAS-RV reduces inrush current and keeps your power under control when you start up your Taco pumps. Once up and running, the TAS-RV is loaded with features such as Modbus communications, Power metering, underload (dry run) detection, a 1-95A overload and advanced I/O such as valve control, proof of flow verification and voltage/dry contact inputs. All these features are neatly tied together by an intuitive interface featuring an LCD display.

3 phase, 50/60HZ, 208-460 VAC, 1/3-100HP  
 Enclosure Rating: 3R enclosure



3-Phase, 50/60 Hz, 208~460 VAC, NEMA 3R Enclosure, Disconnect Not Included						
3 Phase				SCIC KAIC @		List Price (\$)
208V	230V	460V	575V	208/230/460V		
15	15	30	40	5		3,100.00
25	30	60	75	10		3,790.00
40	50	100	150	10		7,040.00
100	125	250	300	185		10,070.00

3-Phase, 50/60 Hz, 208~460 VAC, NEMA 3R Enclosure, Includes Molded Case Disconnect						
3 Phase				SCIC KAIC @		List Price (\$)
208V	230V	460V	575V	208/230	460V	
2	2	5	5	100	65	3,520.00
3	3	7.5	10	100	65	3,550.00
5	5	10	15	100	65	3,590.00
5	7.5	15	20	100	65	3,640.00
7.5	10	20	25	100	65	3,750.00
10	10	25	30	100	65	3,750.00
-	15	30	40	100	65	3,820.00
15	20	40	50	100	65	4,150.00
20	25	50	60	100	65	4,600.00
25	30	60	75	100	65	4,780.00
30	40	75	100	100	65	8,350.00
40	50	100	125	100	65	8,350.00
40	50	100	125	18	18	11,540.00
50	60	125	150	18	18	12,270.00
60	75	150	200	18	18	12,570.00
75	100	200	250	18	18	14,340.00
100	125	250	300	18	18	14,700.00

Smartstart® is a registered trademark of Franklin Control Systems Inc.

## TDX – Taco Duplex Starter

The TDX extends the life of your pumps by alternating control. It comes standard with underload protection, a class S electronic overload to handle a wide range of applications, and an input that accepts 200-600 Volts.

The TDX does more than just alternate control of your pumps. It has superior protection features such as SmartStart® technology, underload (dry run) protection, and an enhanced class 10 electronic overload. The TDX is easy to set up and use, accepting input voltages of 200-600 VAC directly, and possessing a wide range overload to eliminate sizing issues when it gets to the job site. It also includes a dry contact auto-run input and fault relay output to reduce the need for external relays.

1 & 3 phase, 50/60HZ, 200-600 VAC, 1/10-50HP

Enclosure Rating: 3R enclosure



1 & 3-Phase, 50/60 Hz, 200~600 VAC, NEMA 3R Enclosure, Includes Disconnect						
1 Phase	3 Phase				SCIC KAIC @	List Price (\$)
230V	208V	230V	460V	600V	460V	
1/10	-	-	-	3/4	65	3,300.00
1/6	-	1/2	1	1.5	65	3,300.00
1/3	3/4	3/4	2	3	65	3,300.00
1/2	1	1.5	3	3	65	3,300.00
1	2	2	5	5	65	3,350.00
1.5	2	3	5	5	65	3,350.00
2	3	3	7.5	10	65	3,350.00
3	3	5	10	15	30	3,350.00
3	5	7.5	10	20	30	3,570.00
3	7.5	7.5	15	25	30	3,570.00
5	7.5	10	20	30	30	3,570.00
7.5	10	10	30	30	50	3,810.00
10	15	15	30	40	50	3,810.00
10	20	20	40	60	50	4,310.00
15	25	25	50	-	50	4,310.00

Smartstart® is a registered trademark of Franklin Control Systems Inc.



TACO INC., 1160 Cranston Street, Cranston, RI 02920 Telephone: (401) 942-8000 Fax: (401) 942-2360  
 TACO (Canada), Ltd., 8450 Lawson Road, Milton, Ontario L9T 0J8 Telephone: (905) 564-9422 Fax: (905) 564-9436  
 Visit our website at: [www.taco-hvac.com](http://www.taco-hvac.com). Printed in USA. Copyright 2007, TACO, Inc.

<b>Model</b>	<b>Enclosure</b>	<b>Part Number</b>	<b>Description</b>	<b>List Price (\$)</b>
TAS	NEMA 1	TASBNCOM	TAS BACnet Communication Card (Installed, Nema 1)	370.00
TAS	NEMA 3R	TASBNCOM3R	TAS BACnet Communication Card (Installed, Nema 3R)	465.50
TAS	NEMA 1	TASMBCOM	TAS Modbus Communication Card (Installed, Nema 1)	216.50
TAS	NEMA 3R	TASMBCOM3R	TAS Modbus Communication Card (Installed, Nema 3R)	324.50
TDX	NEMA 3R	TDXALT	Automatic Alternating Relay at Start	681.00
TDX	NEMA 3R	TDXTMR	24hr Adjustable Timer for Symmetric Alternation	407.00
TDX	NEMA 3R	TDXCLK	24/7 Adjustable Time Clock for Variable Alternation	1,190.00

Smartstart® is a registered trademark of Franklin Control Systems Inc.



**TACO INC.**, 1160 Cranston Street, Cranston, RI 02920 Telephone: (401) 942-8000 Fax: (401) 942-2360  
**TACO (Canada), Ltd.**, 8450 Lawson Road, Milton, Ontario L9T 0J8 Telephone: (905) 564-9422 Fax: (905) 564-9436  
 Visit our website at: [www.taco-hvac.com](http://www.taco-hvac.com). Printed in USA. Copyright 2007, TACO, Inc.